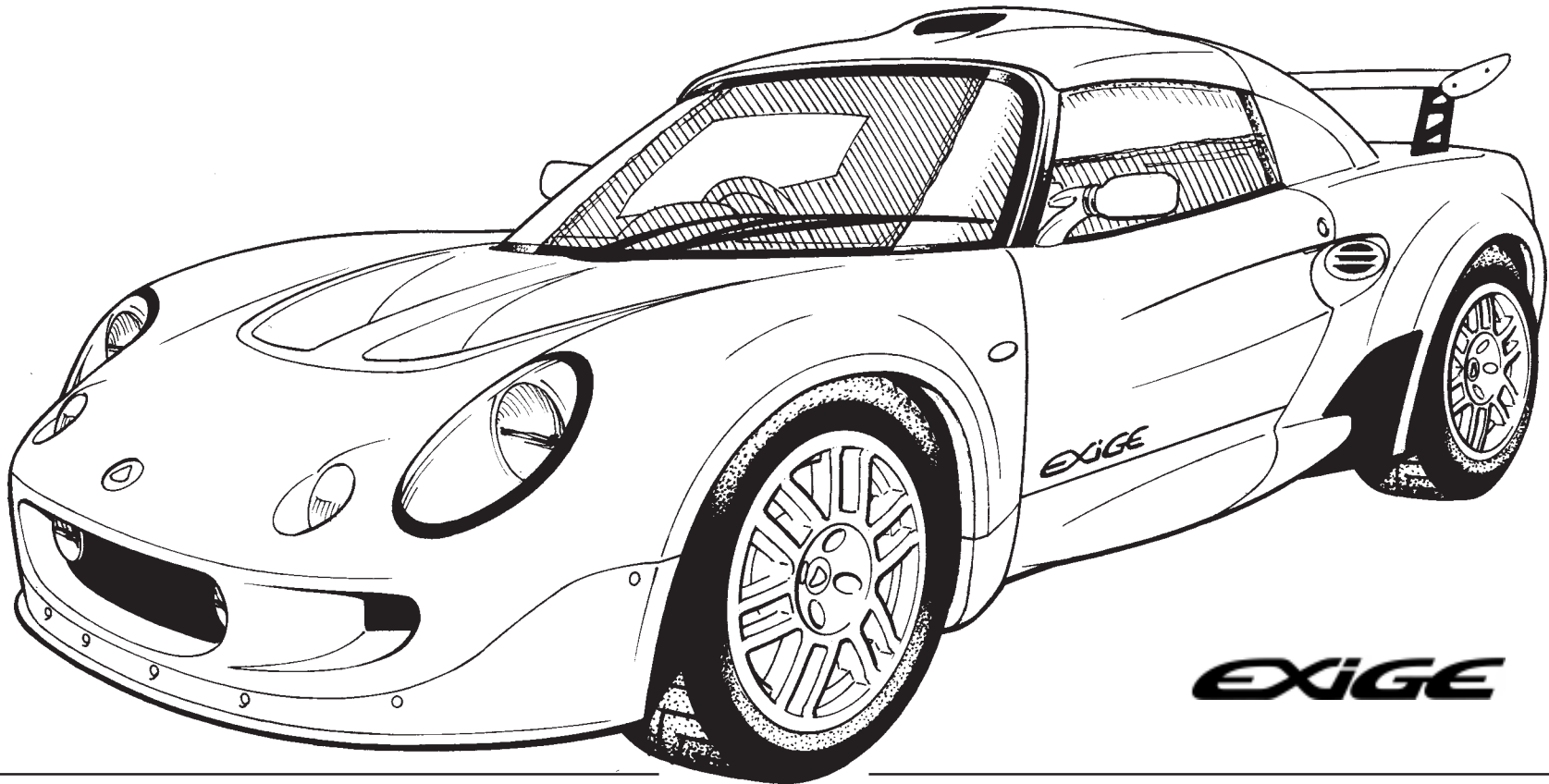




EXIGE SERVICE PARTS LIST



Technical Publications, Lotus Cars Limited, Hethel, Norwich, Norfolk, NR14 8EZ. England.

Telephone 01953 608000 www.lotuscars.com

© Lotus Cars Ltd. 2000

Part Number B111T0325J

Updated 4th December 2017

FOREWORD

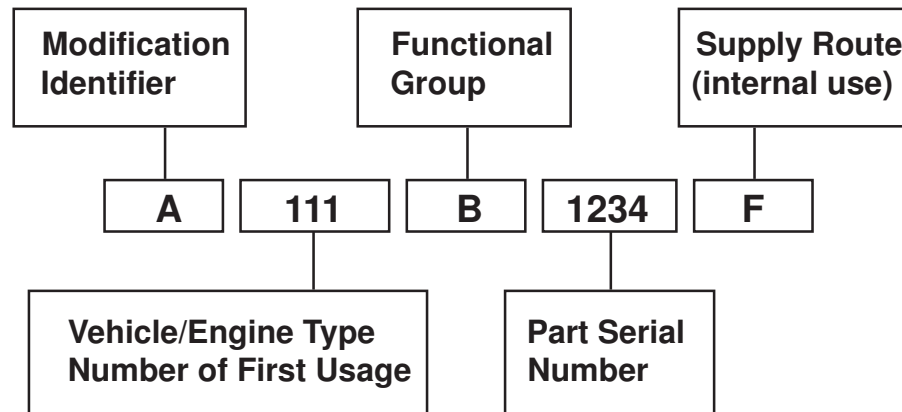
This publication has been designed for use by Lotus Dealers, and may be updated periodically by the issuing of update packages to the dealer network. Lotus policy is one of continuous product improvement and the right is reserved to alter specifications at any time without prior notice. Whilst every care has been taken to ensure correctness of information, it is impossible to guarantee complete freedom from omissions and errors, or to accept liability arising from such errors or omissions, but nothing herein contained shall affect your statutory rights.

USE OF THE PARTS LIST

This parts list covers the Exige range, 2000 model year onwards. The manual is arranged in function groups, as defined by the Contents page, and may sometimes use several versions of the same function group to accommodate model variations - take care to establish the full vehicle specification in order to properly identify the applicable parts list section.

PART NUMBERS

Part numbers used in this publication are in the format as follows:



Modification Identifier: This letter identifies a version or modification of the part. Part numbers with different prefix letters may or may not be interchangeable - refer to the remarks column.

Vehicle/Engine Type Number: The type number indicates either the model or engine type on which the part was first used.

026, 036, 045,....Elan	076....Eclat S1	084....Eclat S2	111....Elise
050....Elan+2	079....Esprit S1/S2/S2.2	085....Esprit S3	340....340R
046, 054, 065, 074....Europa	082....Esprit Turbo	089....Excel	
075....Elite S1	083....Elite S2	100....Elan 1990	

Functional Group: A single letter indicating the functional area of the parts first use

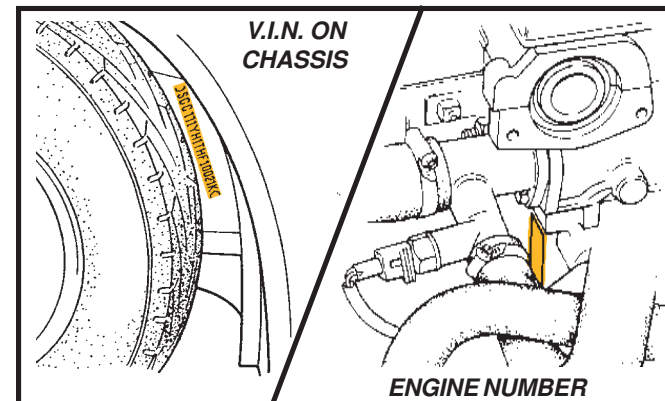
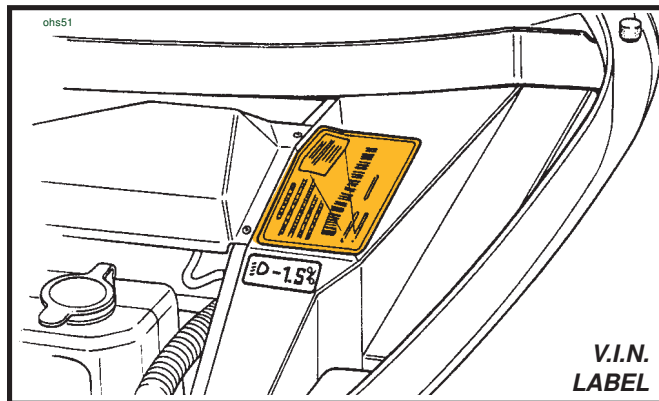
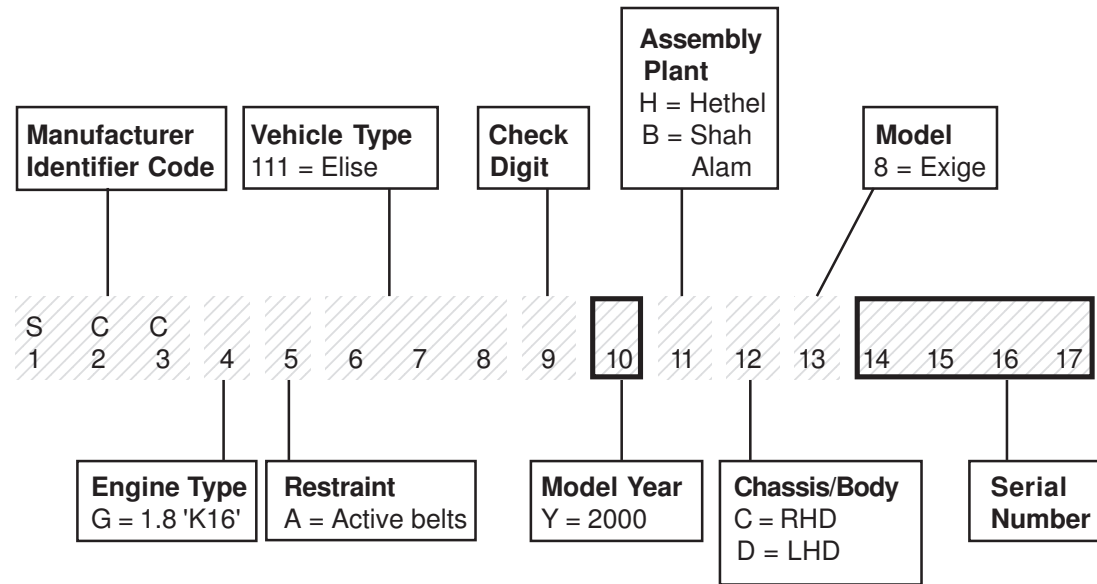
A = Chassis	E = Engine	J = Brakes	P = Heater & AC	U = Hard Trim
B = Body	F = Transmission	K = Cooling	Q = Clutch	V = Soft Trim
C = Front Suspension	G = Wheels & Tyres	L = Fuel System	R = Final Drive	W = Standard Fixings
D = Rear Suspension	H = Steering	M = Electrics	S = Exhaust	

VEHICLE IDENTIFICATION NUMBER & ENGINE NUMBER

The Vehicle Identification Number (V.I.N.) is stamped on the chassis in the right hand rear sill area, and is also printed on a label stuck to the body in the front services compartment. The engine number is marked on a vertical patch at the left hand end of the forward face of the cylinder block, and is most easily viewed using a mirror.

Both numbers should always be quoted with any vehicle enquiries, as Factory records are filed against V.I.N., and specification change points are identified by V.I.N. or engine number. The vehicle licence number may not accurately reflect vehicle age, may also be changed during the car's life, and is an unreliable method of vehicle identification.

The V.I.N. comprises 17 characters, coded in accordance with European Economic Community (EEC) directives. For change point identification in Service Notes and Service Parts Lists, characters 10 (model year) and 15 - 17, or 14 - 17 (serial number) will be quoted.



EXIGE



10.00 Body

- 10.01 Body: Front & Rear Clamshells & Fixings
- 10.02a Body: Sill Panels, Windscreen Frame & Rear Bulkhead
- 10.04 Crash Structures
- 10.09 Front Services Access Panels
- 10.11a Tailgate & Release Mechanism
- 10.13x Engine Compartment Finisher Panels, Exige
- 10.15 Door Shells, Beams, Hinges
- 10.17 Door Latch Mechanism
- 10.23b Spoilers & Aerofoils
- 10.25 Undertray & Diffuser
- 10.31 Towing Strut/ Hook

11.00 Glazing and Seals

- 11.01 Windscreen, Door Glass, Seals & Weather Strips
- 11.02 Door Window Lift Mechanism

12.00 Exterior Fittings

- 12.01 Wheelarch Liners
- 12.03 Grilles and Louvres
- 12.04a Roof Panel, Seals & Fixings
- 12.05 Decals, Badges & Protective Film
- 12.07 Licence Plate Mountings
- 12.09 Exterior Driving Mirrors

13.00 Seats & Seat Belts

- 13.01 Seat Runners
- 13.02 Seat Assemblies, front
- 13.27 Seat Belts, front

14.00 Pedal Box & Fascia

- 14.01 Pedal Box, Pedals, Throttle Control
- 14.05 Fascia Structure & Supporting Hardware
- 14.05a Fascia Structure & Supporting Hardware AC Cars
- 14.10 Instrument Cowling

15.00 Interior Trim

- 15.05 Interior Driving Mirror & Sunvisors
- 15.11 Interior Trim & Stowage Provision
- 15.13 Front Door Trims
- 15.14 Interior Trims
- 15.19 Centre Tunnel Trim, Gear Lever Gaiters/Shrouds
- 15.30 Carpeting & Mats

17.00 Electrical

- 17.01 Harnesses, Leads
- 17.03 Horn, Inertia Switch, Modules, Fuses & Relays
- 17.05 Interior Switches, Auxiliary Power Socket
- 17.06 Engine Management & Sensors
- 17.07 Instruments, Tell Tales, & Displays
- 17.11 Exterior Lamps, Except Headlamps
- 17.13 Headlamps
- 17.17 Interior Lamps
- 17.21 Windscreen Wiper Motor, Wipers & Washers
- 17.27 In Car Entertainment
- 17.31 Battery, Clamps, & Cables
- 17.33 Security Alarm System, Parking Sensors & Camera

18.00 Heating, Ventilation, Air Conditioning

- 18.02 AC Evaporator Housing
- 18.03 AC Components, Pipes, Hoses
- 18.05 Heater, Pipes, Hoses



- 18.07 Interior Blower Motor, Heater Matrix, Intakes & Ducting
- 18.07a AC Interior Blower Motor
- 18.09 Driver Operated Controls
- 18.09a AC/Heater Driver Operated Controls
- 18.11 AC Vacuum Controls
- 18.12 AC/Heater Air Distribution Plenum
- 18.13 Air Trunking, Ducts & Ventilators

19.00 Labels & Literature

- 19.01 Labels, Certificates, Literature etc.
- 19.03 Owner's Handbooks & Service Notes Manuals

30.00 Chassis

- 30.01 Chassis, Subframes
- 30.02 Seat Belt Mounting Frames, Stays
- 30.19 Longerons

31.00 Suspension

- 31.01 Front Suspension, Incl. Hubs
- 31.03 Rear Suspension, Incl. Hubs

32.00 Steering

- 32.01 Rack & Pinion, & Lower Column
- 32.05 Upper Column, Steering Wheel
- 32.06 Motorsport Steering Wheel Kit

33.00 Brakes

- 33.01 Brake Discs, Calipers, & Parking Brake Assembly
- 33.03 Master Cylinder, Servo, ABS Controller, Pipes & Hoses
- 33.05 Parking Brake Mechanism

34.00 Wheels & Tyres

- 34.01 Wheels, Tyres & Valves

Date: 28-Jun-11

Function Code List: Page 2 of 3

40.00 Engine

- 40.00 Engine Assemblies
- 40.01 Engine Block & Oil Pick up
- 40.01a Engine Mounts
- 40.02 Gaskets & Sealants, Top Overhaul Set
- 40.02a Gaskets & Sealants, Bottom Overhaul Set
- 40.03 Sump Assembly
- 40.05 Cylinder Head, Valves, Springs
- 40.07 Camshafts, Tappets, Cam Cover
- 40.09 Pistons, Con-rods, Liners
- 40.11 Crankshaft, Bearings, Flywheel
- 40.13 Water Pump Assembly, Thermostat
- 40.15 Lubrication System
- 40.17 Ignition System, Spark plugs & Plug Top Coils
- 40.19 Alternator and Starter Motor
- 40.21 Exhaust Manifold
- 40.23 AC Compressor

41.00 Belts and Pulleys

- 41.01 Camshaft Belts, Guards & Pulleys
- 41.03 Auxiliary Drive Belts & Pulleys

42.00 Induction Systems

- 42.01 Airboxes, Trunking & Air Filters
- 42.04 Throttle Body, Mechanism & IAC Valve
- 42.05 Fuel Injection System

43.00 Emission Equipment

- 43.03 Vacuum System, Hoses, Pipes & Fittings
-



44.00 Fuel System

- 44.01 Fuel Tanks, Filler
 - 44.03 Fuel Pump; Filter, Pipes
 - 44.05 Charcoal Canister & Evaporative Loss System.
-

45.00 Exhaust

- 45.01 Exhaust System
 - 45.05 Heatshields
-

46.00 Cooling

- 46.01 Engine Cooling System & Fan
 - 46.02 Engine Cooling System & Fans, AC Cars
 - 46.03 Oil Cooler/Heat Exchanger & Pipes
 - 46.05 Engine Bay Cooling, Ducts & Trunking
-

47.00 Transmission

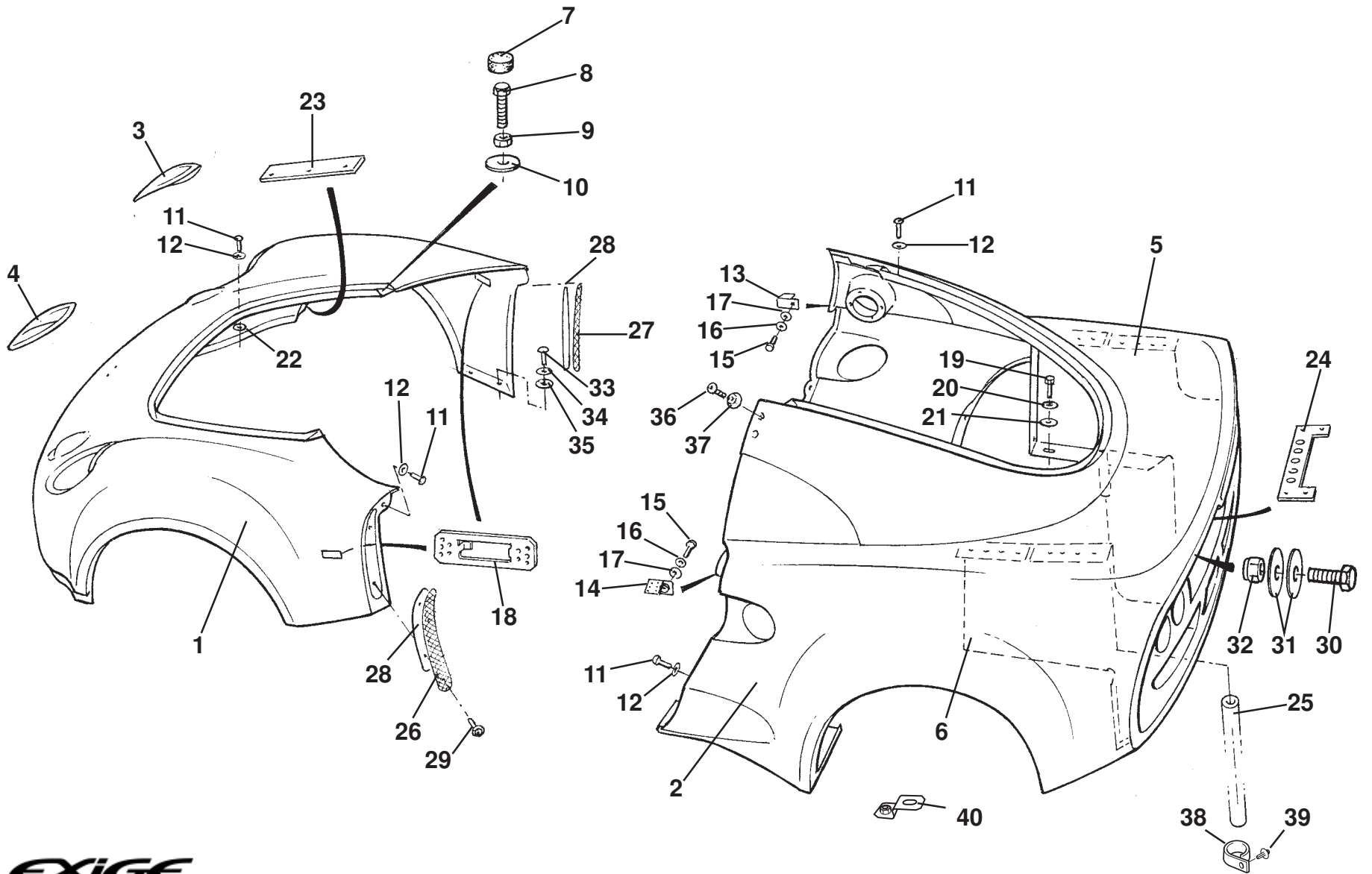
- 47.01 Clutch & Release Mechanism
 - 47.03 Transmission Assembly
 - 47.05 Gearchange Mechanism, External
 - 47.06 Gear Selector Mechanism, Internal
 - 47.07 Gears, Shafts & Bearings
 - 47.11 Final Drive & Bearings
 - 47.15 Driveshafts & Seals
-

60.00 Special tools

- 60.01 Tool Kit
 - 60.01a Diagnostic Equipment
 - 60.01b Diagnostic Equipment, Scan III
-

80.00 Bulk Items

- 80.20a Touch-in Paint Pencil Range
-

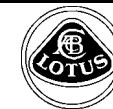


EXIGE

10.01

Updated 24th January 2013

Service Parts List **EXIGE**



Function Code 10.01 Body: Front & Rear Clamshells & Fixings

<u>Dep</u>	<u>Part Description</u>	<u>Remarks</u>	<u>Option</u>	<u>Part Number</u>	<u>Qty</u>
01	Front Clamshell			A111B0848K	1
02	Rear Clamshell			A111B0835K	1
03	Headlamp Cover, RH			B111U0328F	1
04	Headlamp Cover, LH			B111U0327F	1
05	Clamshell Support Plate, RH	Part of clamshell assy.		C111B0786F	1
06	Clamshell Support Plate, LH	Part of clamshell assy.		C111B0787F	1
07	Rubber Buffer			X046B6113Z	2
08	Setscrew, M8 x 35, hex. hd.			A075W1041Z	2
09	Locknut, M8			A075W3026Z	2
10	Washer, flat, M8 x 25 x 1.4			A111W4156F	2
11	Screw, M8 x 25, button. hd., clamshell fix.			A111W7115F	14
12	Washer, flat, M8 x 25			A111W4156F	14
13	Bracket, rear clamshell, RH	Part of clamshell assy.		B111B0114F	1
14	Bracket, rear clamshell, LH	Part of clamshell assy.		B111B0113F	1
15	Setscrew, M8 x 20, hex. hd. rear clamshell fix.			A075W1038Z	2
16	Washer, spring, M8			A075W4036Z	2
17	Washer, flat, M8 x 25 x 1.4			A075W4021Z	2
18	Mounting Plate, indicator repeater lamp	Part of clamshell assy.		A111U0073F	2

EXIGE

Function Code: 10.01, Page: 1

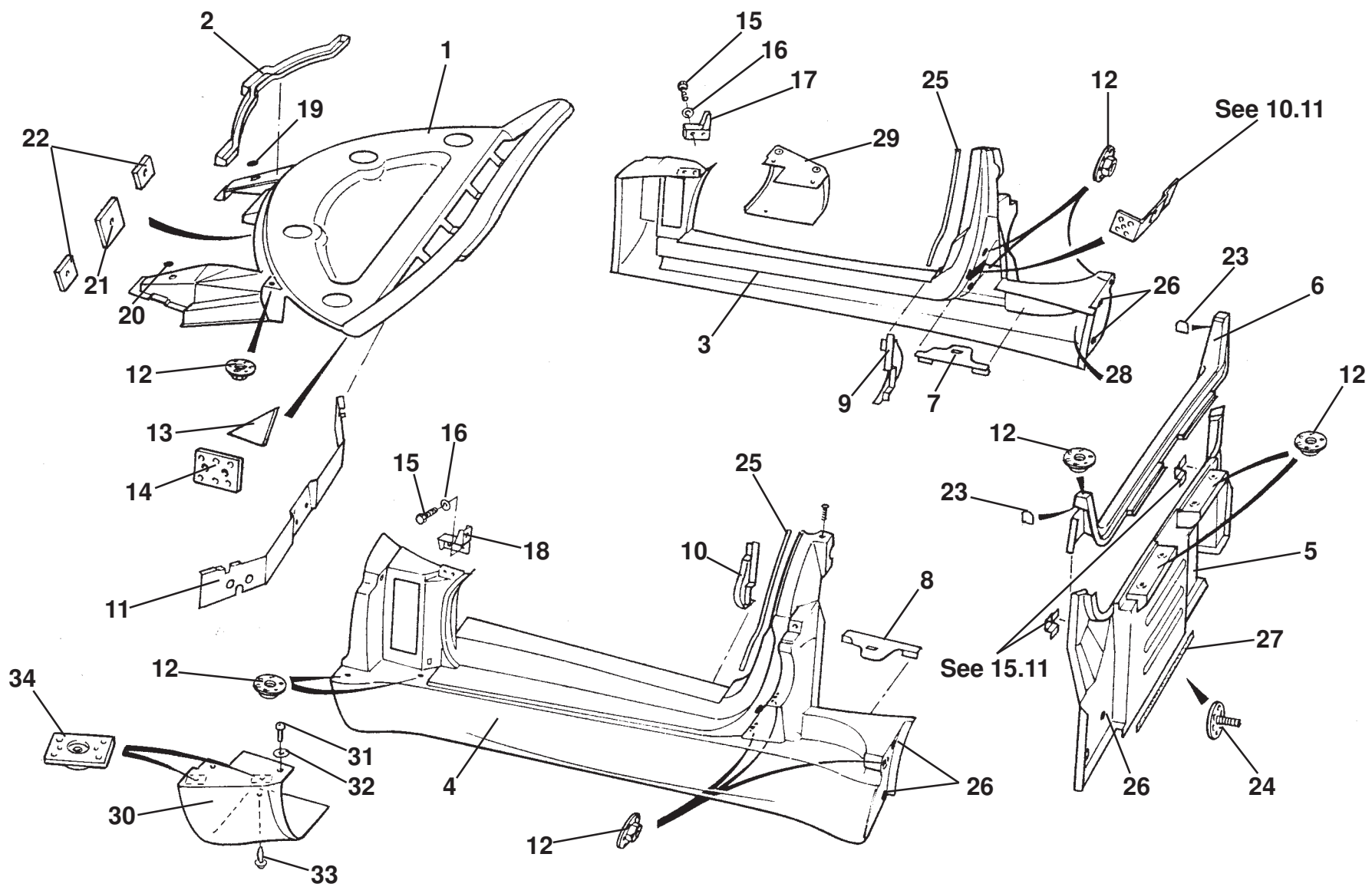
Updated 24th January 2013

Function Code 10.01 Body: Front & Rear Clamshells & Fixings

<u>Dep</u>	<u>Part Description</u>	<u>Remarks</u>	<u>Option</u>	<u>Part Number</u>	<u>Qty</u>
19	Screw, M6 x 20, clamshell fix.			A082W5206F	6
20	Washer, shakeproof, M6,			A075W4046Z	6
21	Washer, flat, M6 x 15 x 1.5			A075W4015Z	6
22	Washer, neoprene, M8 x 8 x 3			A111U6055F	8
23	Bracket, long, harness to clamshell front			A111M0020K	2
24	Mounting Plate, number plate lamp	Part of clamshell assy.		A111M0048F	2
25	PVC Tube, 5/8", tailgate gutter drain			A111B06217V	1.18M
26	Grille, front clamshell, LH			A111B0717F	1
27	Grille, front clamshell, RH			A111B0716F	1
28	Panel, grille mounting			A111B0800F	2
29	Plastic Fastener, grille fix.			A100W6391F	4
30	Screw, M8 x 20, hex. hd.			A075W1038Z	1
31	Washer, flat, M8 x 25	Also used as shim		B075W4021Z	As req.
32	Nyloc Nut, M8			A907E6284F	1
33	Screw, M6 x 25, hex. hd., clamshell to sill extension			A075W1031F	4
34	Washer, spring, M6			A075W4035Z	4
35	Washer, flat, M6			B082W4018F	4
36	Screw, M5 x 20, button hd. rear clamshell to roof panel			A082W7173F	4
37	Escutcheon, screw to clamshell			B340B0123F	4
38	'P' Clip, drain tube retention			A075W6229F	2
39	Plastic Fastener, 'P' clip fix.			A100W6479F	2

Function Code 10.01 Body: Front & Rear Clamshells & Fixings

<u>Dep</u>	<u>Part Description</u>	<u>Remarks</u>	<u>Option</u>	<u>Part Number</u>	<u>Qty</u>
40	Bracket, rear clamshell to wheelarch			A111B0801F	2
41	Beading, Butyl !DL 310, headlamp covers to clamshell	Not illustrated		A100B6207V	1.8M



EXIGE

10.02a

Service Parts List *EXIGE*

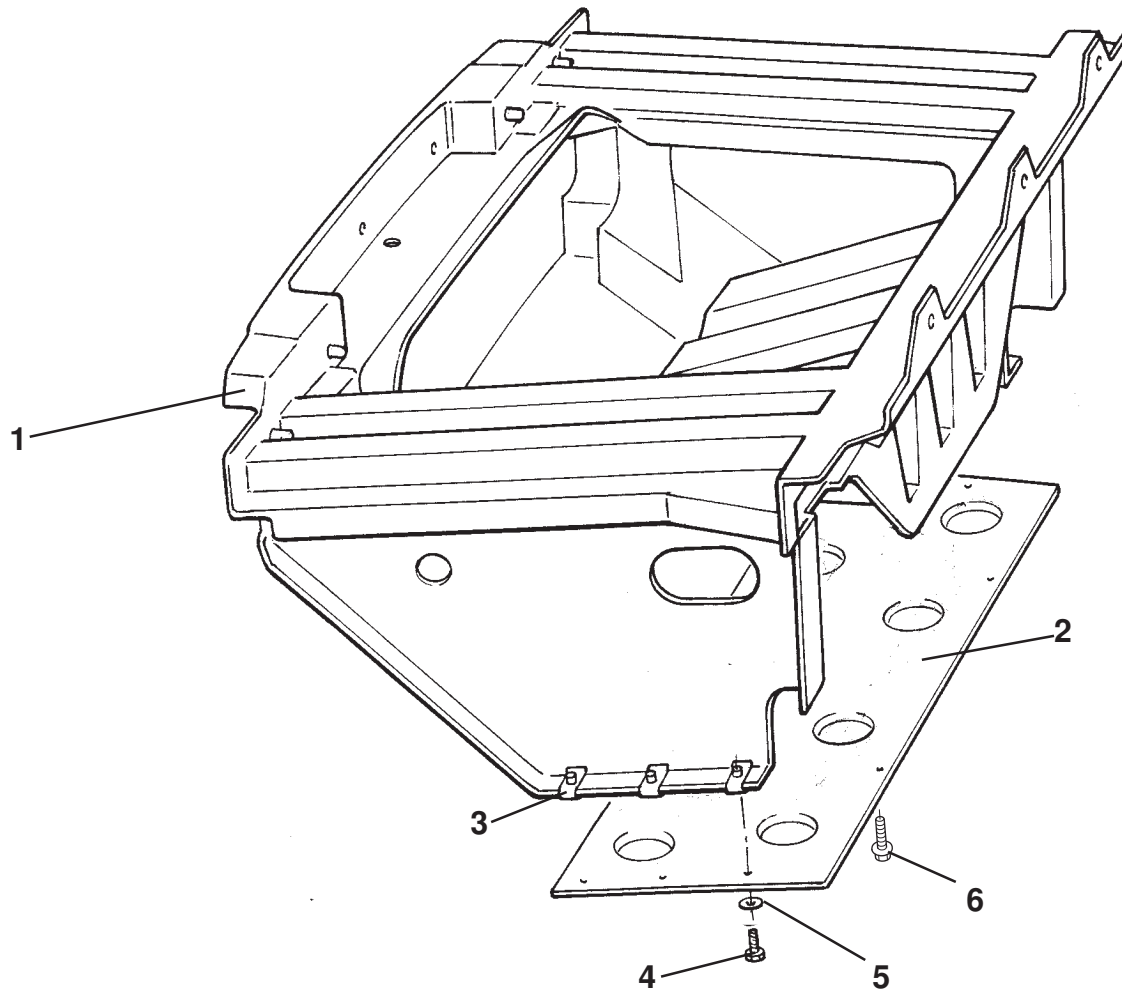


Function Code 10.02a Body: Sill Panels, Windscreen Frame & Rear Bulkhead

<u>Dep</u>	<u>Part Description</u>	<u>Remarks</u>	<u>Option</u>	<u>Part Number</u>	<u>Qty</u>
01	Windscreen Frame Assembly		Painted	B111B0173J	1
02	Gutter, windscreen frame			A111B0106K	1
03	Sill Panel, RH			A111B0168J	1
03a	Sill Panel, RH, RHD		AC cars	B111B0146K	1
03b	Sill Panel, RH, LHD		AC cars	B111B0148K	1
04	Sill Panel, LH			A111B0167J	1
05	Rear Bulkhead Assembly		Painted	A111B0818K	1
06	Capping Rail, rear bulkhead		Painted	B111B0006K	1
07	Panel, 'B' post closing, RH	Part of sill panel assy.		A111B0150K	1
08	Panel, 'B' post closing, LH	Part of sill panel assy.		A111B0149K	1
09	Baffle, sill panel, RH	Part of sill panel assy.		B111B0154K	1
10	Baffle, sill panel, LH	Part of sill panel assy.		B111B0153K	1
11	Baffle, scuttle to fascia top			B111B0026K	1
11a	Baffle, scuttle to fascia top, LHD		AC cars	A111B0812K	1
12	Captive Nut, M8, big hd.			A111W6592F	18
13	Packing Piece, screen frame			A111U0290F	2
14	Tapping Plate, screen frame			A111B0180F	2
15	Screw, M6 x 20, hex. hd.			A111W1155F	4

Function Code 10.02a Body: Sill Panels, Windscreen Frame & Rear Bulkhead

<u>Dep</u>	<u>Part Description</u>	<u>Remarks</u>	<u>Option</u>	<u>Part Number</u>	<u>Qty</u>
16	Washer, flat, M6 x 15 x x1.5			A082W4133F	4
17	Bracket, 'A' post, RH			B111B0112F	1
18	Bracket, 'A' post, LH			B111B0111F	1
19	Grommet	Fitted driver's side only		X036B6010Z	1
20	Blanking Grommet, 12.5mm	Fitted passenger side only		A100B6163F	1
21	Plate, wiper assy. mounting, centre			B111B0009K	1
22	Plate, wiper assy. mounting, outer			B111B0010K	2
23	Backing Plate, capping rail			A111B0295F	2
24	Captive Stud. M6 X 25, bulkhead to heatshield fix.			A082W6310F	2
25	Edge Finisher, 'B' post			B111U0231K	2
26	Blanking Grommet, 12.5mm sill panels & bulkhead			A100B6163F	12
27	Foam Strip, self adhesive, 10 x 3mm, bulkhead/chassis			A111P0214K	1
28	Foam Strip, cellular PVC, self adhesive, inner sill panels			A111B6000V	As req.
29	Sill Extension Panel, front, RH		A111B0850K R/B	B111B0850K	1
30	Sill Extension Panel, front, LH		A111B0851K R/B	B111B0851K	1
31	Screw, M8 x 25, button hd. panel upper fix.			A111W1038Z	4
32	Washer, flat, M8 x 25			A111W4156F	4
33	Plastic Fastener, panel lower fix.			A111W6534F	4
34	Captive Nut, M8, big hd., rectangular	Bonded to sill extension panels		A082W3118F	4



EXIGE

10.04

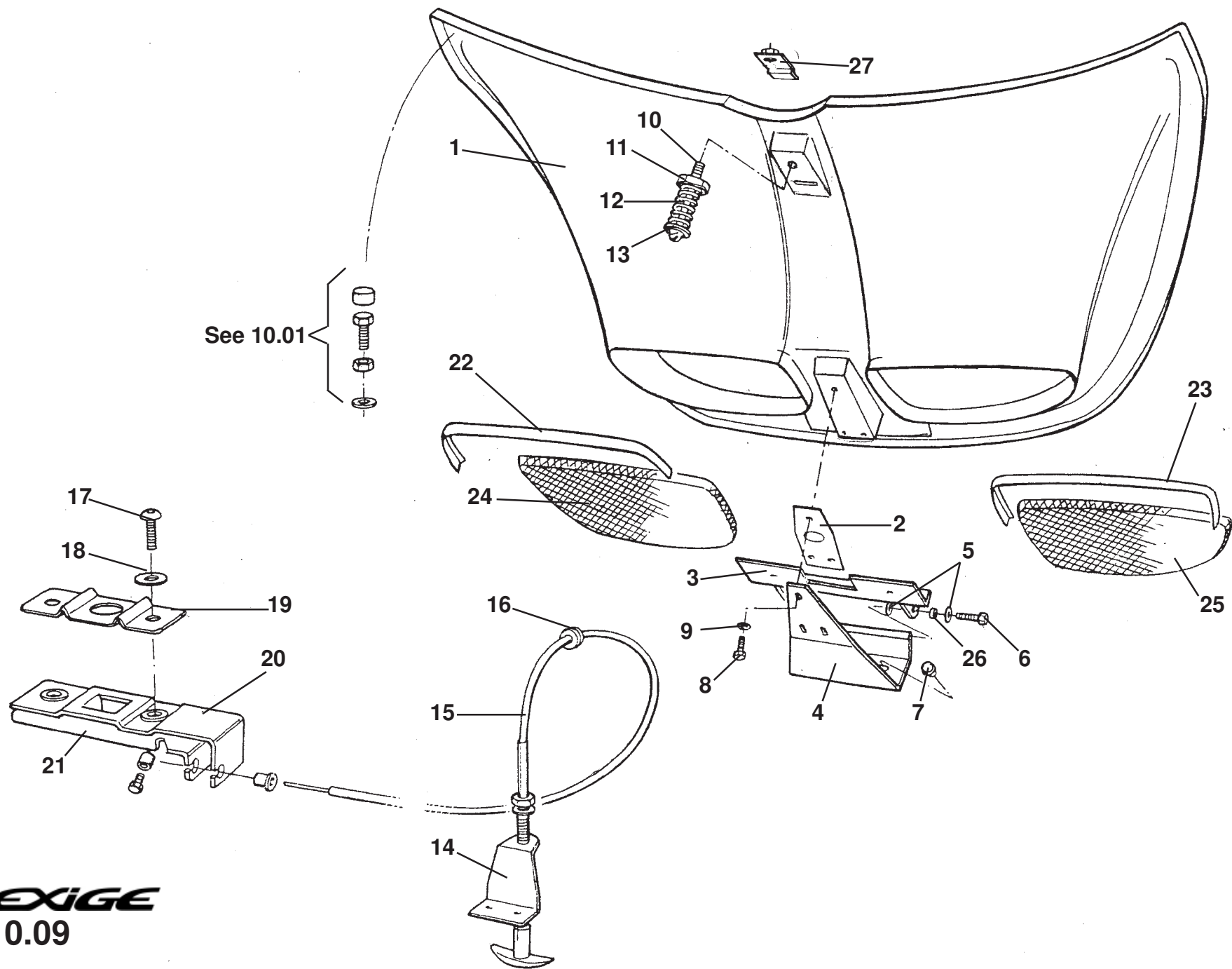
Updated 2nd February 2015

Service Parts List **EXIGE**



Function Code 10.04 Crash Structures

<u>Dep</u>	<u>Part Description</u>	<u>Remarks</u>	<u>Option</u>	<u>Part Number</u>	<u>Qty</u>
01	Front Crash Structure Assembly			C111B0012J	1
02	Panel, front undershield	Also see 46.03		A111B0400F	1
03	Spirenut, M5, undershield fix			B100W6372F	6
04	Screw, M5 x 16, pozi., undershield fix			A111W1163F	6
05	Washer M5 x 18 x 1.5, undershield fix.			A075W4015Z	6
06	Screw, M6 x 12, flg. hd., undershield fix.			A111E6007F	3
07	Betaseal 1701, crash structure bonding	Not illustrated		A082B6281F	300mm



EXIGE
10.09

Service Parts List **EXIGE**



Function Code 10.09 Front Services Access Panels

<u>Dep</u>	<u>Part Description</u>	<u>Remarks</u>	<u>Option</u>	<u>Part Number</u>	<u>Qty</u>
01	Front Bonnet Assembly			A111B0076J	1
02	Shim, 1mm, hinge to bonnet			A111U0374F	As req.
02a	Shim, 4mm, hinge to bonnet			A111U0375F	As req.
03	Bracket Front Hinge	Bonded to front clamshell		B111U0028F	1
04	Hinge Rotor			B111U0029F	1
05	Washer, shakeproof, M5			A075W4045Z	2
06	Setscrew M5 x 16, hex. hd.	Hinge pivot		A082W1088F	2
07	Buffer, hinge upstop			A075U6050F	2
08	Setscrew, M6 x 25, hex. hd.			A111W1150F	3
09	Washer, flat, M6 x 14			A082W4133F	3
10	Striker Pin			A082U6091F	1
11	Nut, striker pin			A111U6021F	1
12	Spring, striker pin			A111U6023F	1
13	Spring Retainer Cup			A111U6022F	1
14	Abutment, release cable			A111U0096F	1
15	Release Cable, front bonnet			B111U0031F	1
16	Grommet			A082L6159F	1
17	Screw, M8 x 20, pan hd.,pozi.			A075W5095Z	2

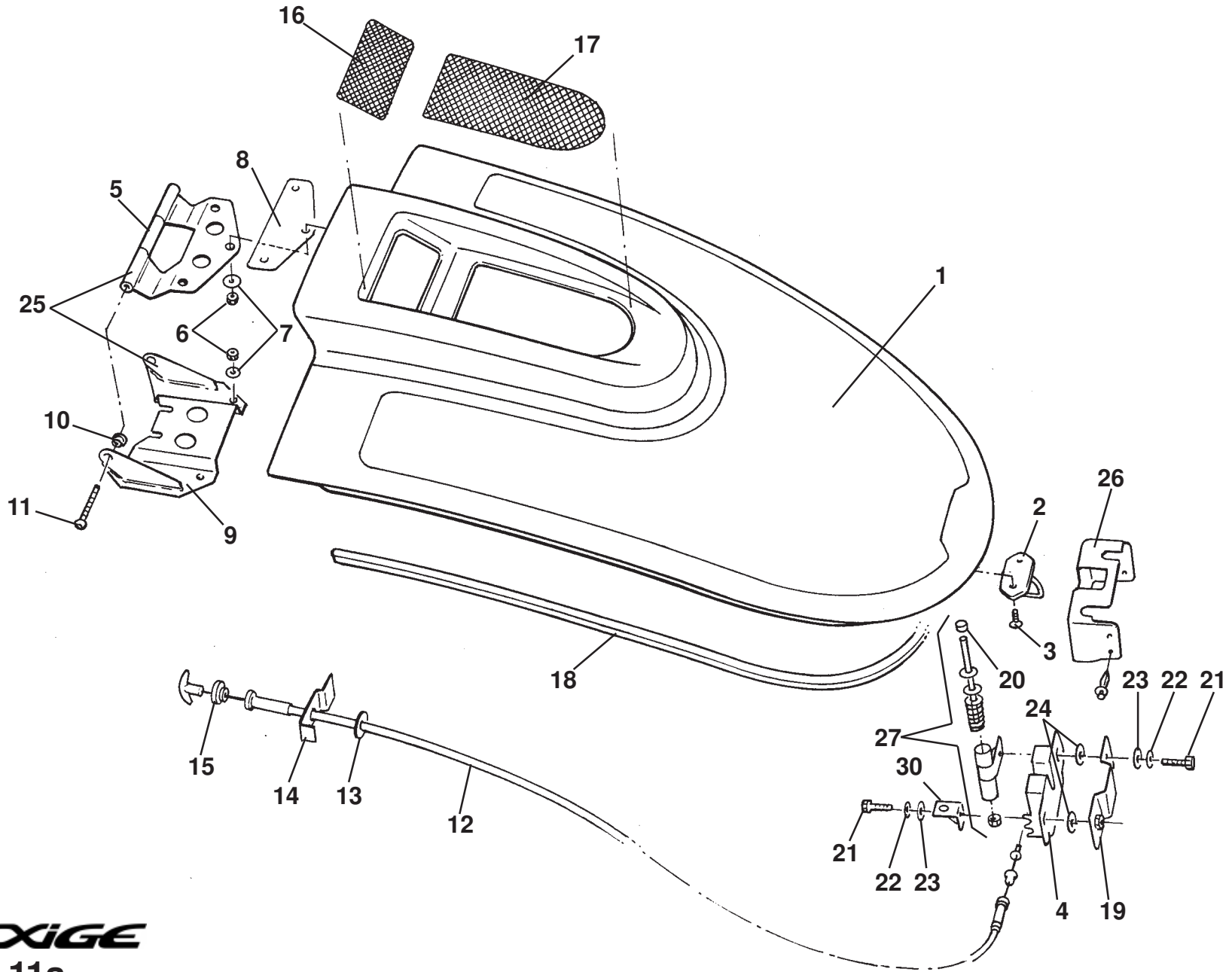
EXIGE

Function Code: 10.09, Page: 1

Updated 1st December 2014

Function Code 10.09 Front Services Access Panels

<u>Dep</u>	<u>Part Description</u>	<u>Remarks</u>	<u>Option</u>	<u>Part Number</u>	<u>Qty</u>
18	Washer, shakeproof, M8			A075W4048Z	2
19	Guide Plate			A100U0035F	1
20	Slider Assembly			A082U6087F	1
21	Spring, slider assembly			A111U6020F	1
22	Finisher, outlet grille LH			A111B0135K	1
23	Finisher, outlet grille RH			A111B0134K	1
24	Outlet Grille, LH			A111B0130F	1
25	Outlet Grille, RH			A111B0131F	1
26	Spacer Hinge Pivot			A111U6035F	2
27	Nut Plate, striker pin fix.			A111U0032F	1



EXIGE
10.11a

Updated 1st September 2014

Service Parts List **EXIGE**



Function Code 10.11a Tailgate & Release Mechanism

<u>Dep</u>	<u>Part Description</u>	<u>Remarks</u>	<u>Option</u>	<u>Part Number</u>	<u>Qty</u>
01	Tailgate Assembly			A111B0864S	1
02	Striker, tailgate latch			A111U0537F	1
03	Screw, M6 x 16, csk hd. S/S			A082W7180F	2
04	Latch Mechanism			A111U6080F	1
05	Hinge Rotor	Single part replaced by hinge assy as per item 25.	B111U0528F R/B	A111U0542F	1
06	Nyloc Nut, M6, hinge fixing			A075W3009F	7
07	Washer, flat, M6 x 25			A082W4131F	7
08	Shim, hinge to taigate			A111U0536F	As req.
09	Hinge Pivot Bracket	Single part replaced by hinge assy as per item 25.	A111U0534F R/B	A111U0542F	1
10	Bush, hinge pivot	Single part replaced by hinge assy as per item 25.	A111W6662F R/B	A111U0542F	2
11	Screw, M6 x 20, button skt. hd., hinge pivot			A100W7096F	2
12	Cable, tailgate release, RHD			B111U0586F	1
12a	Cable, tailgate release, LHD			B111U0565F	1
13	Grommet, 5mm ID, release cable			A111B0085K	1
14	Abutment, release cable			A111U0141F	1
15	Finisher Ring, release cable to 'B' post			A111U0142K	1
16	Grille, tailgate spine front			A111B0793F	1

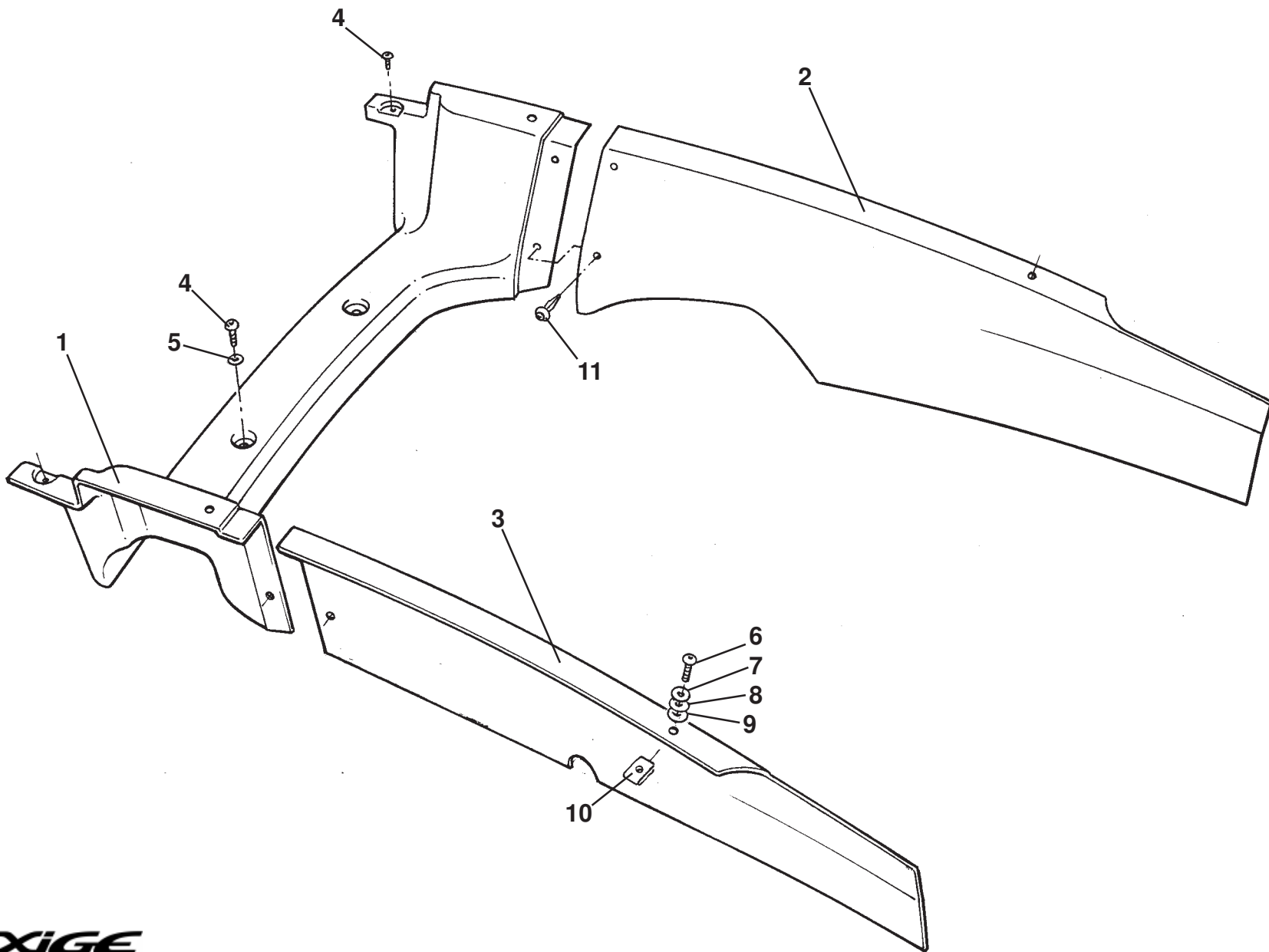
EXIGE

Function Code: 10.11a, Page: 1

Updated 1st September 2014

Function Code 10.11a Tailgate & Release Mechanism

<u>Dep</u>	<u>Part Description</u>	<u>Remarks</u>	<u>Option</u>	<u>Part Number</u>	<u>Qty</u>
17	Grille, tailgate spine rear			A111B0792F	1
18	Weather Seal, tailgate gutter		A089U6055F R/B	A111U0501V	2.28M
19	Latch Retaining Plate			A111U0540F	1
20	End Cap, rubber	Part of assy, item 27		A111B6166H	1
21	Screw, M6 x 25, hex. hd., latch to plate		A075W1030Z R/B	A075W1031Z	2
22	Washer, shakeproof, M6			A075W4046Z	2
23	Washer, flat, M6 x 25			A082W4131F	2
24	Washer, spacer, 1.25" x 0.32" x 0.125"	Between latch and bracket		A075W4022Z	2
25	Hinge Assembly, tailgate			A111U0542F	1
26	Cover, tailgate latch	With switch cut-out		B111B0820F	1
26a	Cover, tailgate latch	Without switch cut-out		B111B0804F	1
27	Lift Assembly, talgate opening			B111U0561F	1
28	Tailgate Prop Kit	Not illustrated	Accessory only	LOTAC05241	1
28a	Tailgate Prop	Not illustrated, part of kit, item 28	Accessory only	A111U0578F	1
28b	Bracket, stay retaining	Not illustrated, part of kit, item 28	Accessory only	A111U0579F	1
28c	Retainer, tailgate stay	Not illustrated, part of kit, item 28	Accessory only	B111U0584F	1
29d	Fitting Instructions, tailgate prop	Not illustrated, part of kit, item 28	Accessory only	LSL416A	1
30	Bracket, tailgate latch			A111U0556F	1



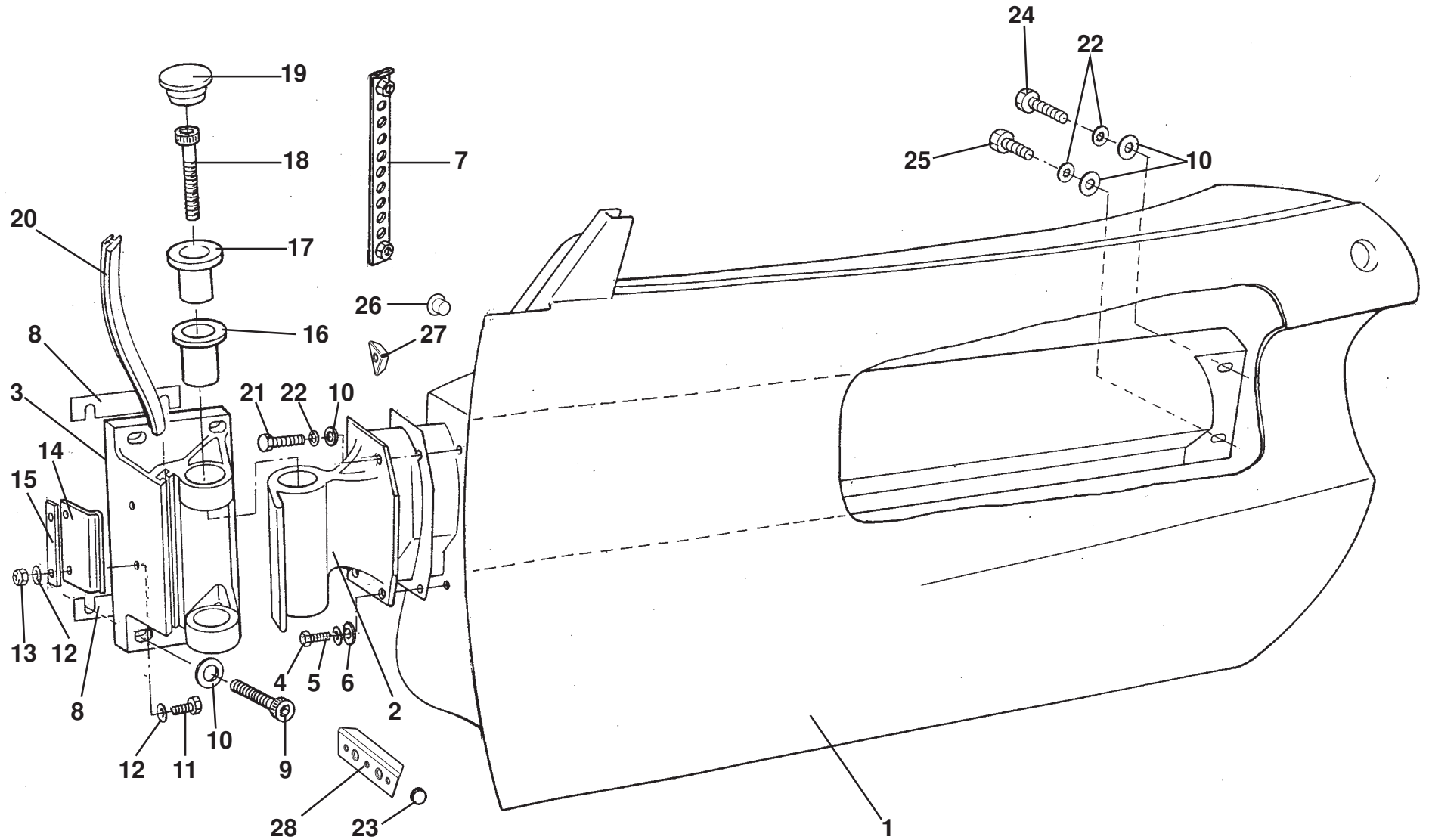
EXIGE
10.13x

Service Parts List *EXIGE*



Function Code 10.13x Engine Compartment Finisher Panels, Exige

<u>Dep</u>	<u>Part Description</u>	<u>Remarks</u>	<u>Option</u>	<u>Part Number</u>	<u>Qty</u>
01	Finisher Panel, engine bay bulkhead			A111B0770K	1
02	Finisher Panel, engine bay side, RH			A111B0774K	1
03	Finisher Panel, engine bay side, LH			A111B0773K	1
04	Screw, M8 x 25, button skt. hd. panel to bulkhead			A111W7115F	4
05	Washer, flat, M8 x 25 x 1.4			A111W4156F	2
06	Screw, M5 x 25, pan hd. pozi.			A082W5085F	4
07	Washer, flat, 3/16" x 0.5", S/S black			A082W4129F	4
08	Washer, neoprene, M5			A082W4115F	4
09	Spacer Washer, nylon, M5 x 12 x 1.0	Clamshell gutter to panels		A089W4104F	As req.
10	Spirenut, M5			B100W6372F	4
11	Plastic Fastener, side panels to bulkhead panel			A111W6534F	4



EXIGE
10.15

Updated 1st December 2013

Service Parts List **EXIGE**



Function Code 10.15 Door Shells, Beams, Hinges

<u>Dep</u>	<u>Part Description</u>	<u>Remarks</u>	<u>Option</u>	<u>Part Number</u>	<u>Qty</u>
01	Door Assembly, LH	Includes front glass guide channel		B111B0061J	1
01a	Door Assembly, RH	Includes front glass guide channel		B111B0060J	1
02	Door Beam, LH			C111U0023F	1
02a	Door Beam, RH			C111U0022F	1
03	Hinge, chassis to door beam			A111U0055F	2
04	Setscrew, M6 x 20, hex. hd., beam to door fix.			A075W1030Z	4
05	Washer, shakeproof, M6			A075W4046Z	4
06	Washer, flat, M6 x 1.5			A075W4015Z	4
07	Nutplate, door hinges	Fitted in chassis		A111U0056F	4
08	Shim, door hinge, 1.0mm			A111B0316F	As req
08a	Shim, door hinge, 1.5mm			A111B0317F	As req
08b	Shim, door hinge, 2.0mm			B111B0314F	As req.
08c	Shim, door hinge, 3.0mm			B111B0315F	As req
09	Screw, M8 x 30, cap hd.			A089W7052F	8
10	Washer, flat, M8 x 16.6 x 1.4			A075W4020Z	18
11	Screw, M6 x M20, hex. hd.			A075W1030Z	4
12	Washer, flat, M6			A075W4013Z	8
13	Nut, M6, Nyloc			A075W3009Z	4

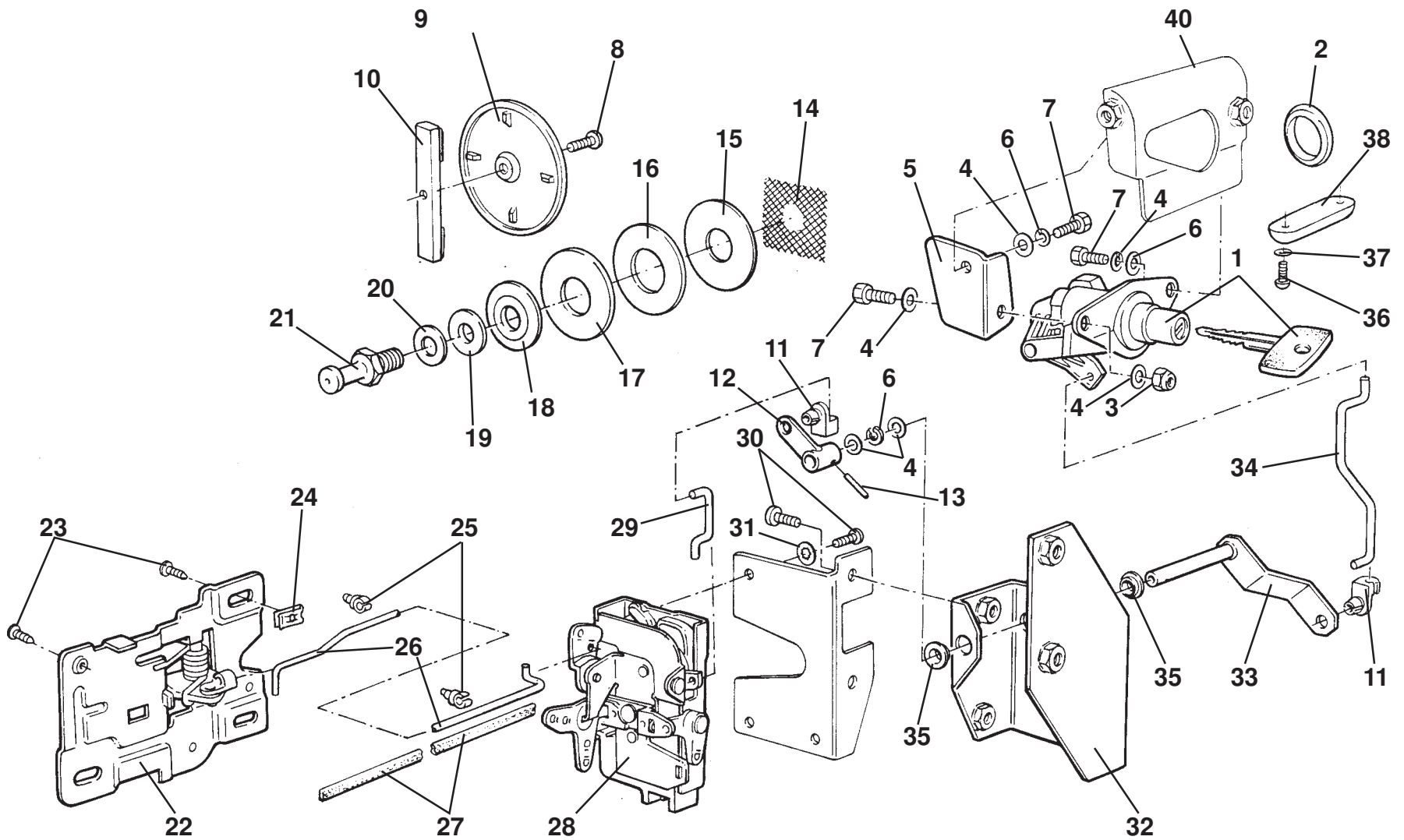
EXIGE

Function Code: 10.15, Page: 1

Updated 1st December 2013

Function Code 10.15 Door Shells, Beams, Hinges

<u>Dep</u>	<u>Part Description</u>	<u>Remarks</u>	<u>Option</u>	<u>Part Number</u>	<u>Qty</u>
14	Spring Plate, door check			C111B0174F	2
15	Support Plate, door check spring			C111B0175F	2
16	Bearing, door hinge			A111U6025F	4
17	Bush, door hinge			A111U0057F	4
18	Screw, M10 x 30, cap hd.			A075W7030F	4
19	Dust Cap, door hinge			A111U6024F	2
20	Door Stop Buffer Strip			B111B0178K	2
21	Setscrew, M8 x 20, hex. hd.	Door beam to door		A075W1038Z	4
22	Washer, shakeproof, M8			A075W4048Z	10
23	Buffer, self adhesive, door shut gap			A111J6025F	10
24	Bolt, M8 x 45, hex,hd.,beam to rear bracket, upper			A075W2040Z	2
25	Setscrew, M8 x 25, hex. hd.,, beam to rear bracket, lower			A075W1039Z	2
26	Finisher Ring, door drainholes			A075P6064F	2
27	Nutplate, door to beam, upper	Bonded inside doorshell		B111B0081F	2
28	Nutplate, door to beam, lower	Bonded inside doorshell		B111B0082F	2
		Note: Door curtain not available			



EXIGE

10.17

Updated 1st May 2014

Service Parts List **EXIGE**



Function Code 10.17 Door Latch Mechanism

<u>Dep</u>	<u>Part Description</u>	<u>Remarks</u>	<u>Option</u>	<u>Part Number</u>	<u>Qty</u>
01	Vehicle Lock Set, door, boot, steering, fuel & 2 key blades	(D-code) Order fuel cap & blank keys		C117H0001F	1
01a	Vehicle Lock Set, door, boot, steering, fuel & 2 key blades	(L-code) Order fuel cap & blank keys		A120H0006F	1
02	Blanking Grommet, linkage access hole			A082B6057F	2
03	Nut, nyloc, M6, support brkt fix			A075W3009Z	2
04	Washer, flat, M6 x 12.1 x 1.4, support brkt fix			A075W4013Z	12
05	Support Bracket, release button, LH			A111U0093F	1
05a	Support Bracket, release button, RH			A111U0092F	1
06	Washer, spring, M6, support brkt. fix.			A075W4035Z	6
07	Setscrew, M6 x 16, support brkt. fix.			A075W1028Z	6
08	Screw, M5 x 10, pozi, cover plate fix			A111W5223F	2
09	Cover Plate, mechanism access hole			B111U0094K	2
10	Fixing Strap, cover plate			A111U0095K	2
11	Nylon Clip, linkage retention			A082U6267F	4
12	Lever, door latch release			A111U0122F	2
13	Roll Pin, door latch lever to spindle retention			A111U6560F	2
14	Shim, expanded stainless, door striker attachment			A111U0215F	2
15	Shim, 2mm, door striker pin			A111U0220F	2

EXIGE

Function Code: 10.17, Page: 1

Updated 3rd November 2014

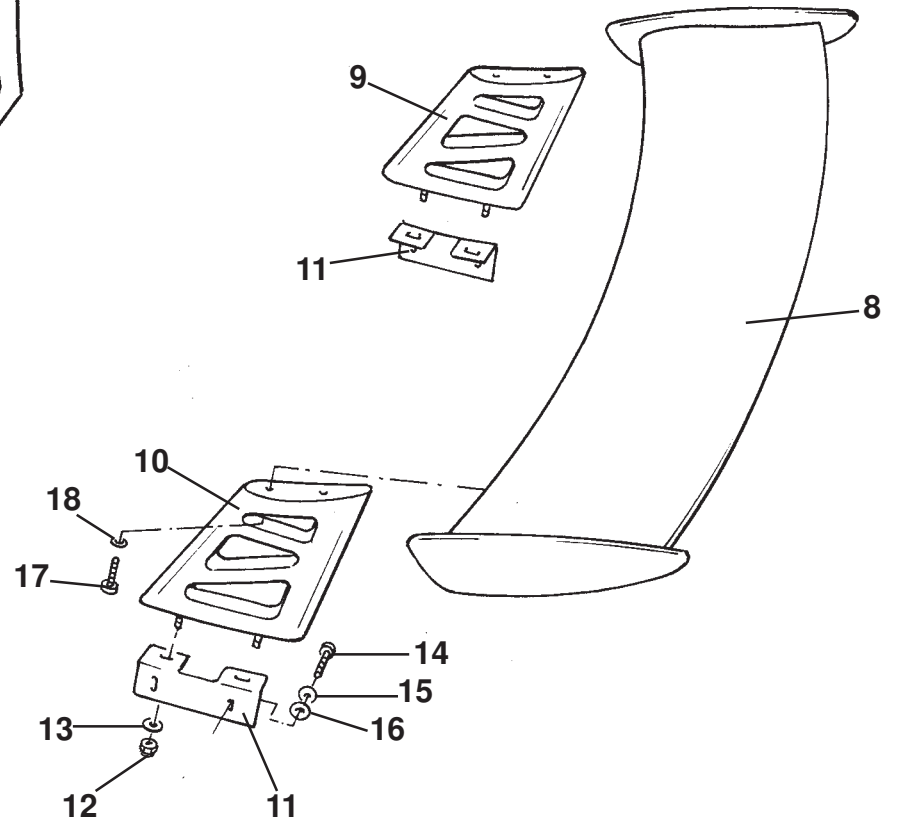
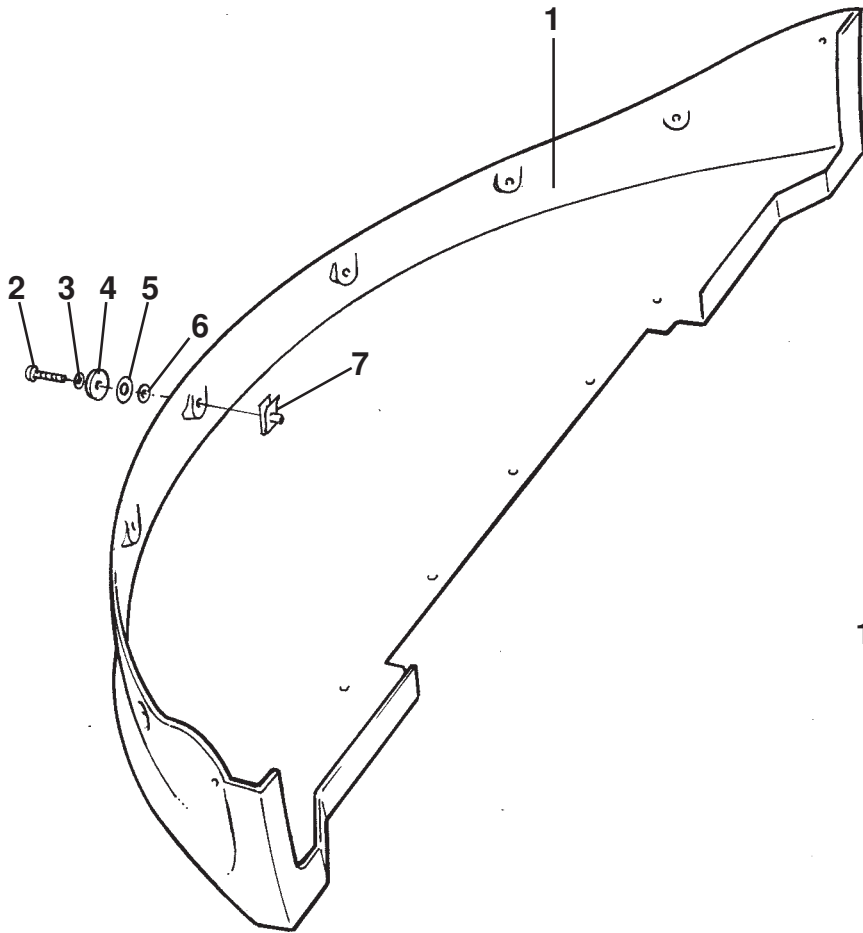
Function Code 10.17 Door Latch Mechanism

<u>Dep</u>	<u>Part Description</u>	<u>Remarks</u>	<u>Option</u>	<u>Part Number</u>	<u>Qty</u>
16	Shim, 4mm, door striker pin			A111U0219F	2
17	Front Collar, door striker pin			A111U0138F	2
18	Finisher, door striker pin			A111U0137K	2
19	Washer, striker			A111U0136F	2
20	Washer, flat, M12 x 24 x 1.6, door striker pin			A075W4071F	2
21	Striker Pin, door latch			A111U6003F	2
22	Release, door latch, interior, LH	Includes handle		A111U6005F	1
22a	Release, door latch, interior, RH	Includes handle		A111U6004F	1
23	Screw, No. 8 x 3/4", pozi., door release fix.			A075W5074Z	6
24	Spire Nut, No 8 captive, door release fix.			A075W6016Z	4
25	Plastic Clip, interior release rod guide			A075J6027Z	4
26	Rod, interior release to latch, LH			B111U0133F	1
26a	Rod, interior release to latch, RH			B111U0132F	1
27	Foam Strip, 19 x 3mm			A082U6067F	As req.
28	Latch mechanism, LH			A111U0389S	1
28a	Latch mechanism, RH			A111U0388S	1
29	Rod, latch to lever assy.			A111U0134F	2
30	Screw, M6 x 12, pozi., door latch/ bracket fix.			A111W5214F	10
31	Washer, shakeproof, M6, door latch fix.			A075W4046Z	6
32	Bracket, door beam attachment, LH			A111U0069F	1
32a	Bracket, door beam attachment, RH			A111U0068F	1

Function Code 10.17 Door Latch Mechanism

<u>Dep</u>	<u>Part Description</u>	<u>Remarks</u>	<u>Option</u>	<u>Part Number</u>	<u>Qty</u>
33	Spindle/Lever, door latch release, LH			C111U0121F	1
33a	Spindle/Lever, door latch release, RH			C111U0120F	1
34	Rod, latch to release button			B111U0135F	2
35	Bush, lever/spindle assy.			A111U6018F	4
36	Screw, M4 x 16 pozi., exterior door pull fix.			A100W5133F	4
37	Washer, flat, M4 x 9 x 0.8, exterior door pull fix.			A082W4099F	4
38	Door Pull, exterior			A111B0028F	2
39	Screw, bracket to door			A111W5214F	4
40	Bracket, release button LH			B111U0091F	1
40a	Bracket, release button RH			B111U0090F	1

NOTE: For full information on all
Lotus Security Sytems, see
LSL483g



EXIGE
10.23b

Service Parts List **EXIGE**

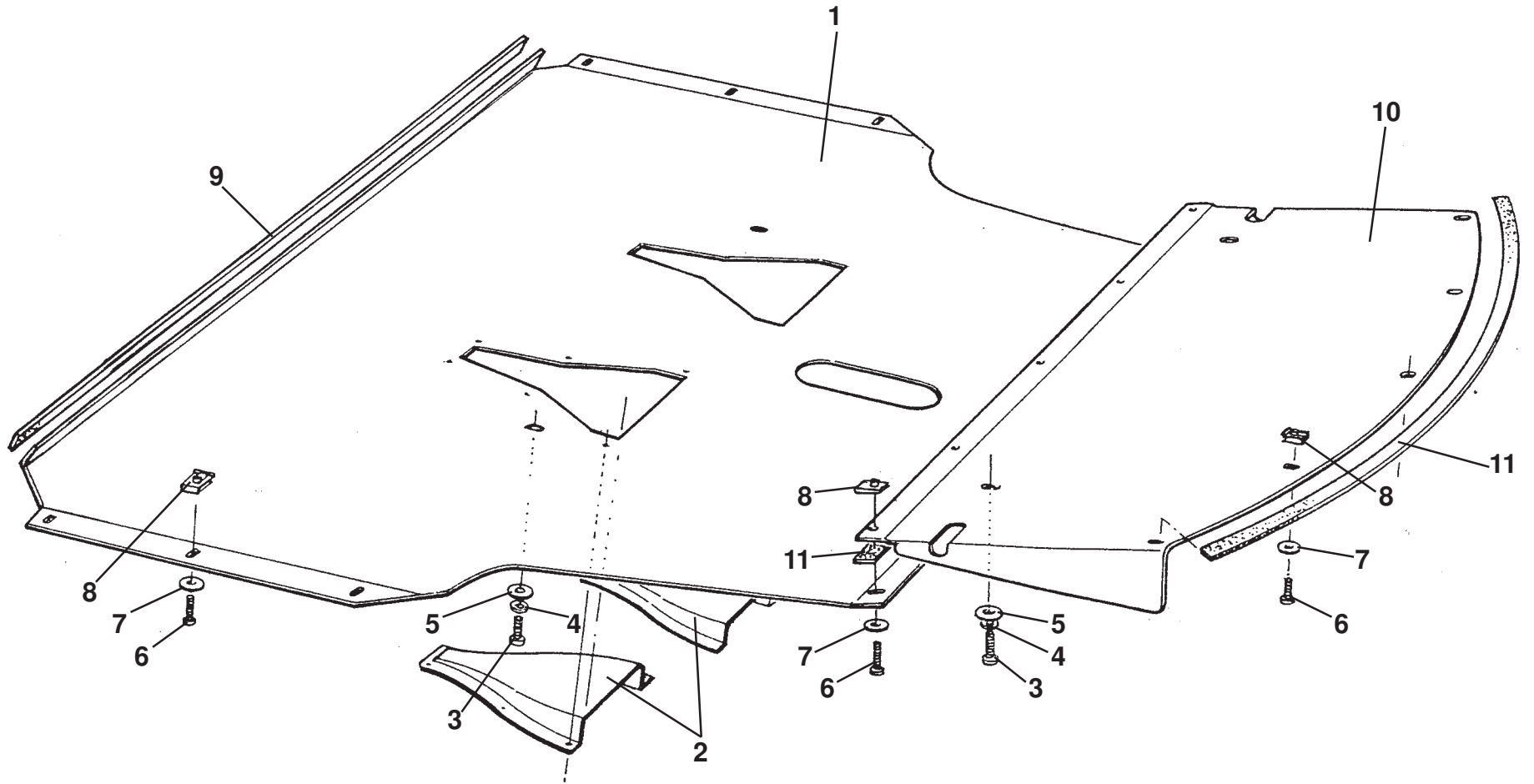


Function Code 10.23b Spoilers & Aerofoils

<u>Dep</u>	<u>Part Description</u>	<u>Remarks</u>	<u>Option</u>	<u>Part Number</u>	<u>Qty</u>
01	Front Splitter Panel			A111B0845K	1
02	Screw, M5 x 20, button hd. splitter to clamshell			A082W7173F	9
03	Washer, spring			B340W4184F	9
04	Escutcheon, screw to splitter			B340B0123F	9
05	Washer, self adhesive, escutcheon to splitter			A340B0136F	9
06	Spacer, splitter to clamshell			A340W4183F	9
07	Spire Nut, M5			A100W6372F	9
08	Aerofoil			A111B0843K	1
09	Aerofoil Support Strut, RH			A111B0778F	1
10	Aerofoil Support Strut, LH			A111B0777F	1
11	Bracket, strut mounting			A111B0802F	2
12	Nyloc Nut, M6, strut to bracket			A075W3009Z	4
13	Washer, flat, M6			A075W4013Z	4
14	Screw, M6 x 20, hex. hd., bracket to support plate			A075W1030Z	4
15	Washer, shakeproof, M6			A075W4046Z	4
16	Washer, flat, M6			A075W4015Z	4
17	Screw, M5 x 20, button hd., S/S, strut to aerofoil			A082W7173F	4
18	Washer, shakeproof, M5			A075W4095Z	4

Function Code 10.23b Spoilers & Aerofoils

<u>Dep</u>	<u>Part Description</u>	<u>Remarks</u>	<u>Option</u>	<u>Part Number</u>	<u>Qty</u>
19	Permabond A130, screw, strut to aerofoil	Not illustrated, blue cap		A912E7033V	1



EXIGE

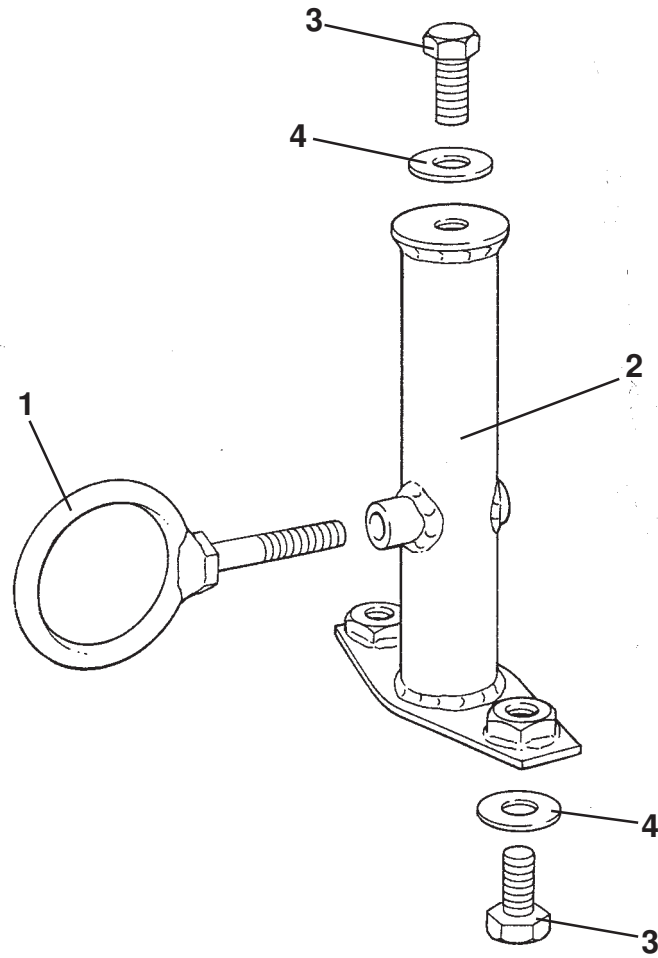
10.25

Service Parts List *EXIGE*



Function Code 10.25 Undertray & Diffuser

<u>Dep</u>	<u>Part Description</u>	<u>Remarks</u>	<u>Option</u>	<u>Part Number</u>	<u>Qty</u>
01	Undertray	Without NACA ducts		A340A0214F	1
01a	Undertray Assembly	With NACA ducts		B111A0220J	1
02	NACA Duct	Part of item 1		A111A0218K	2
03	Screw, M8 x 25, button hd.			A111W7115F	4
04	Washer, spring, M8			A075W4036Z	4
05	Washer, flat, M8 x 25 x 1.4			A111W4156F	4
06	Screw, M5 x 16, hex. hd.			A111W1163F	16
07	Washer, flat, M5 x 25 x 1.4			A082W4098F	16
08	Spire Nut, M5			B100W6372F	16
09	Foam Strip, self adhesive, 10mm x 6mm			A100B0431V	As req.
10	Diffuser			B111A0215F	1
11	Foam Strip, self adhesive, 19mm x 3mm			A082U6067F	3
12	Screw, no.6 x 1/4", self tapping, pan pozi.			A075W5010Z	5



EXIGE

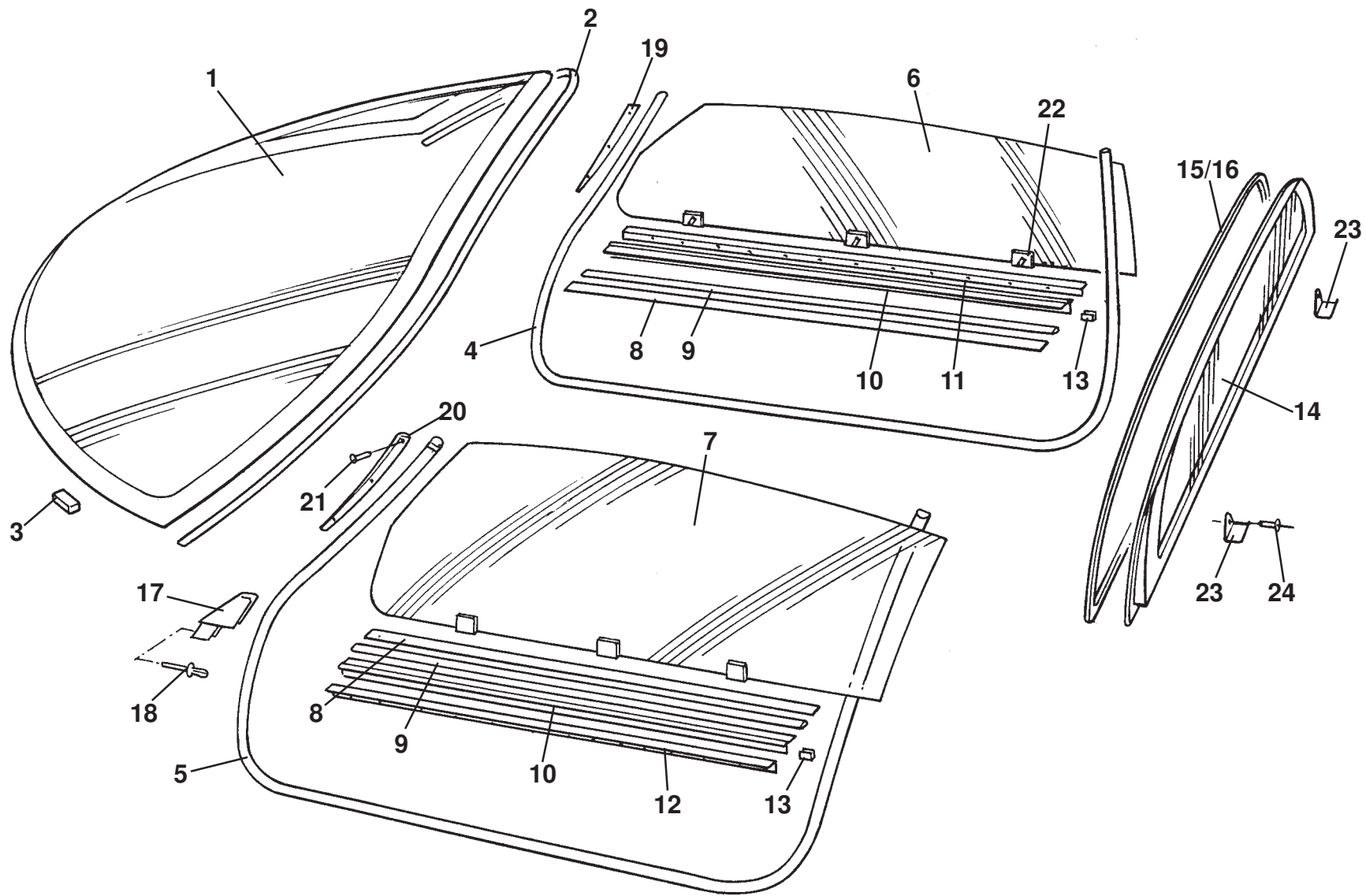
10.31

Service Parts List **EXIGE**



Function Code 10.31 Towing Strut/ Hook

<u>Dep</u>	<u>Part Description</u>	<u>Remarks</u>	<u>Option</u>	<u>Part Number</u>	<u>Qty</u>
01	Towing Eye			A111B0399F	1
02	Mounting Strut, towing eye			A111U0456F	1
03	Setscrew, M8 x 35, hex. hd., grade 8.8 Zn			A075W1035Z	3
04	Washer, flat, M8 x 1.4 Zn			A075W4021Z	3
05	Nylon Blanking Screw	Not illustrated		A121W5280F	1



EXIGE

11.01

Service Parts List **EXIGE**



Function Code 11.01 Windscreen, Door Glass, Seals & Weather Strips

<u>Dep</u>	<u>Part Description</u>	<u>Remarks</u>	<u>Option</u>	<u>Part Number</u>	<u>Qty</u>
01	Windscreen			B111B0037F	1
02	Windscreen Finisher			B111U0088F	1
03	Spacer, windscreen alignment			A075U0588Z	7
04	Primary Door Seal Assembly, RH			D111U0160F	1
05	Primary Door Seal Assembly, LH			D111U0161F	1
06	Door Glass Assembly, RH	Includes stud carriers, item 22		C111B0038F	1
07	Door Glass Assembly, LH	Includes stud carriers, item 22		C111B0039F	1
08	Carrier, inner waist seal	Bonded into door assembly		B111U0149F	2
09	Seal, door waist inner			A111U6033V	2
10	Retainer door waist, outer seal	Bonded into door assembly		A111U0148F	2
11	Seal, door waist, outer, RH			A111U0200F	1
12	Seal, door waist, outer, LH			A111U0201F	1
13	Edge Clip	Outer seal attachment		A111W6568F	18
14	Rear Glass/Housing Assy,			A111B0562J	1
15	Seal, rear window, self adhesive		A111U6073V R/B	A111B6205F	2.25M
16	Double Sided Tape, seal to rear window housing		A111B6175V R/B	A111B6205F	2.25M
17	Door Cheater Seal			A111U0119F	2
18	Pop Rivet, cheater seal fix.			A079W6195F	2

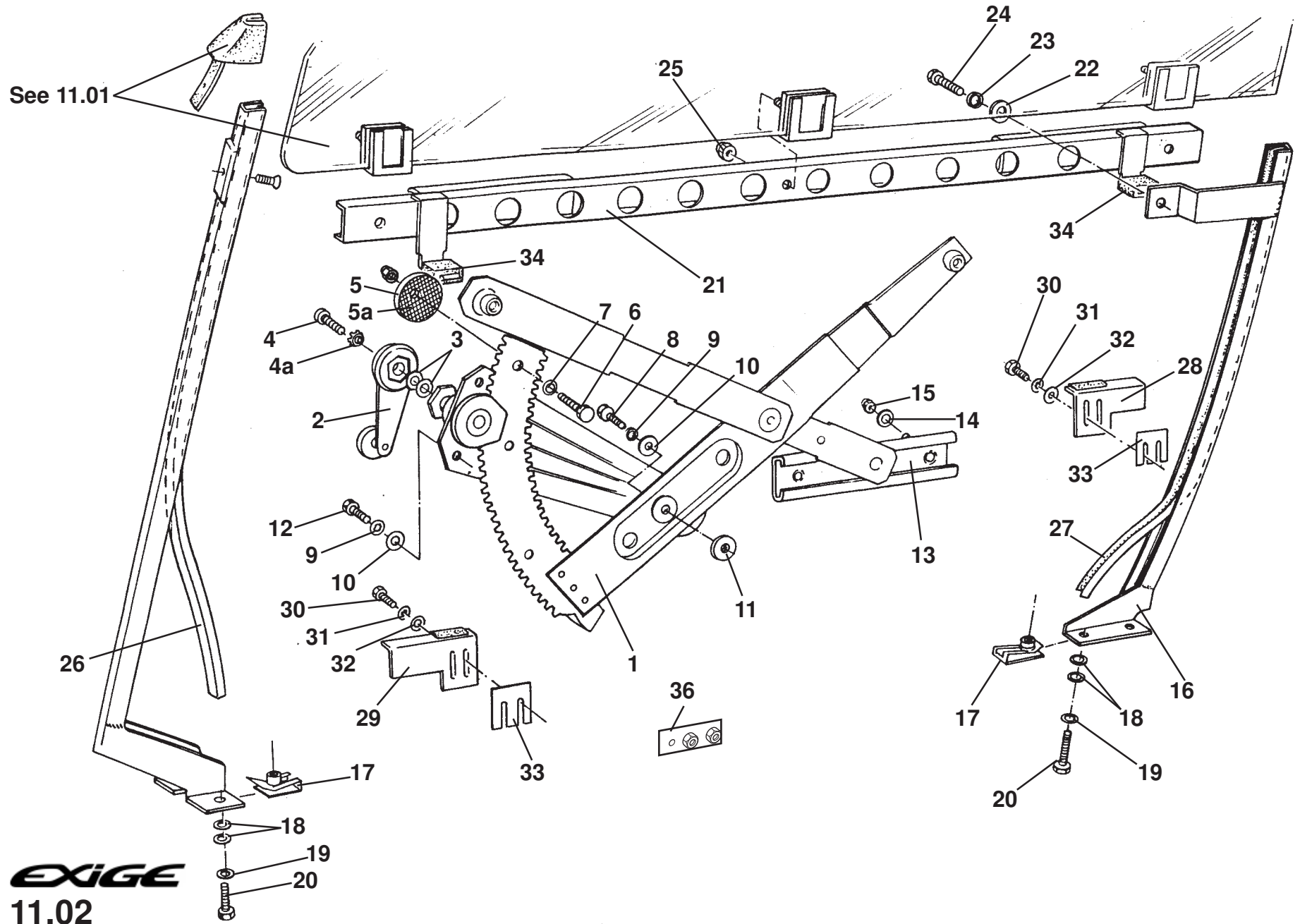
EXIGE

Function Code: 11.01, Page: 1

Updated 3rd October 2016

Function Code 11.01 Windscreen, Door Glass, Seals & Weather Strips

<u>Dep</u>	<u>Part Description</u>	<u>Remarks</u>	<u>Option</u>	<u>Part Number</u>	<u>Qty</u>
19	Seal Support, plastic, RH			A111B0360K	1
20	Seal Support, plastic, LH			A111B0359K	1
21	Screw, No.6 x 3/4", csk. pozi., seal support to 'A' post			A075W5026Z	6
22	Stud carrier	Bonded to glass		A111U0341S	6
23	Clip, rear glass retention, lower			B111B0188F	2
24	Pop Rivet, clip to capping rail			A100W6397F	2



Updated 24th January 2013

Service Parts List **EXIGE**



Function Code 11.02 Door Window Lift Mechanism

<u>Dep</u>	<u>Part Description</u>	<u>Remarks</u>	<u>Option</u>	<u>Part Number</u>	<u>Qty</u>
01	Window Regulator, RH			C111U0082K	1
01a	Window Regulator, LH			C111U0083K	1
02	Window Winder Handle, alloy			A111U0486F	2
03	Spacer, window regulator handle			A082W4109F	4
04	Screw, flg. skt. hd., regulator handle fix,			A111W7183F	2
04a	Washer, shakeproof, M5			A075W4045Z	2
05	Eccentric Stop			B111U0084F	2
05a	Mesh Washer, eccentric stop			A111U0251F	1
06	Setscrew, eccentric stop fix.			A100W1055F	2
07	Washer, shakeproof			A075W4046Z	2
08	Setscrew, regulator fix			A075W1028Z	2
09	Washer, spring, M6			A075W4035Z	6
10	Washer, flat,,M6			B082W4018F	6
11	Washer, spacer			A075W4016Z	2
12	Setscrew M6, regulator fix			A075W1027Z	4
13	Guide Channel, window regulator			A111U6011F	1
14	Washer, flat M5			A075W4000Z	4
15	Nyloc Nut, M5			A100W3113Z	4

EXIGE

Function Code: 11.02, Page: 1

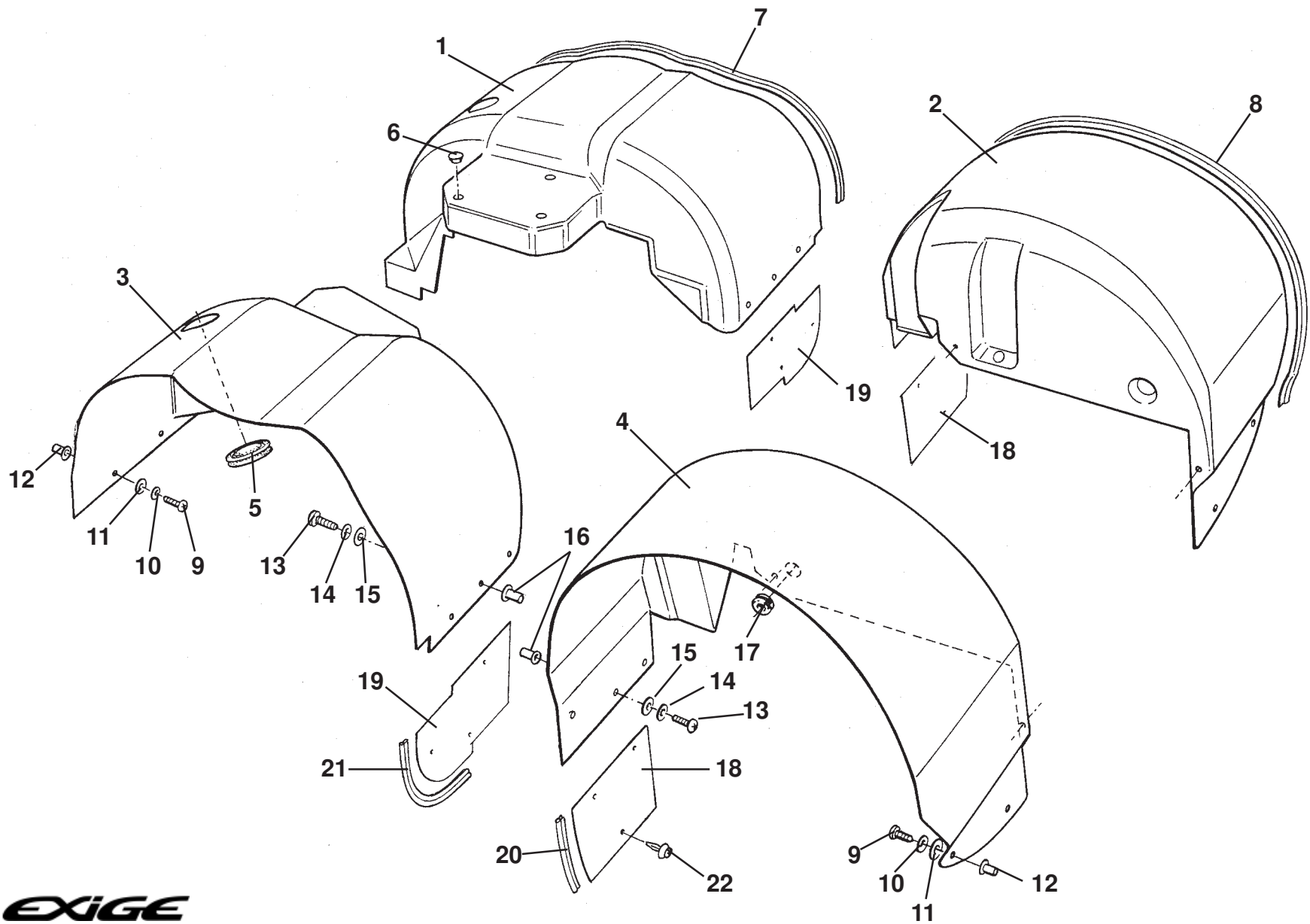
Updated 24th January 2013

Function Code 11.02 Door Window Lift Mechanism

<u>Dep</u>	<u>Part Description</u>	<u>Remarks</u>	<u>Option</u>	<u>Part Number</u>	<u>Qty</u>
16	Channel Assembly, door glass, rear, RH			B111U0040F	1
16a	Channel Assembly, door glass, rear, LH			B111U0039F	1
17	Spirenut, M5, channel assy., fix			A100W6372F	8
18	Washer, flat, 3/16 x 3/4 x 16 SWG			A075W4009Z	8
19	Washer, shakeproof, M5			A0754045Z	4
20	Screw, M5 x 16, pozi., channel assy., fix.			A082W5107F	8
21	Guide Channel, door glass assy., RH			B111U0264F	1
21a	Guide Channel, door glass assy., LH			B111U0265F	1
22	Washer, flat, M8 x 16.6 x 1.4			A075W4020Z	8
24	Setscrew, M8 x 45, channel assy., fix.			A075W1043Z	2
25	Locknut, guide channel fix.			A907E6285F	6
26	Silent Channel, front			B111U0054K	2
27	Silent Channel, rear			B111U0053K	2
28	Bracket, upstop, LH			A111U0259F	2
29	Bracket, upstop, RH			A111U0260F	2
30	Screw, M6 x 20, hex. hd., upstop bracket fix.			A111W1155F	8
31	Washer, spring, M6			A075W4035Z	8
32	Washer, flat M6 x 15 x 1.5			A075W4015Z	8
33	Shim, 1.5mm, spacer upstop bracket			A111U0337F	As req.
34	Buffer, guide channel upstop			A111U0268F	4
35	Nut Plate - Glass stop Bracket to Door Beam			B111U0292F	4

Function Code 11.02 Door Window Lift Mechanism

<u>Dep</u>	<u>Part Description</u>	<u>Remarks</u>	<u>Option</u>	<u>Part Number</u>	<u>Qty</u>
36	Screw M5 x 12, csk pozi, rail to door			A100W5196F	2
37	Channel Assembly, door glass front RH			C111U0038F	1
37a	Channel Assembly, door glass front LH			C111U0038F	1



EXIGE

12.01

Service Parts List **EXIGE**

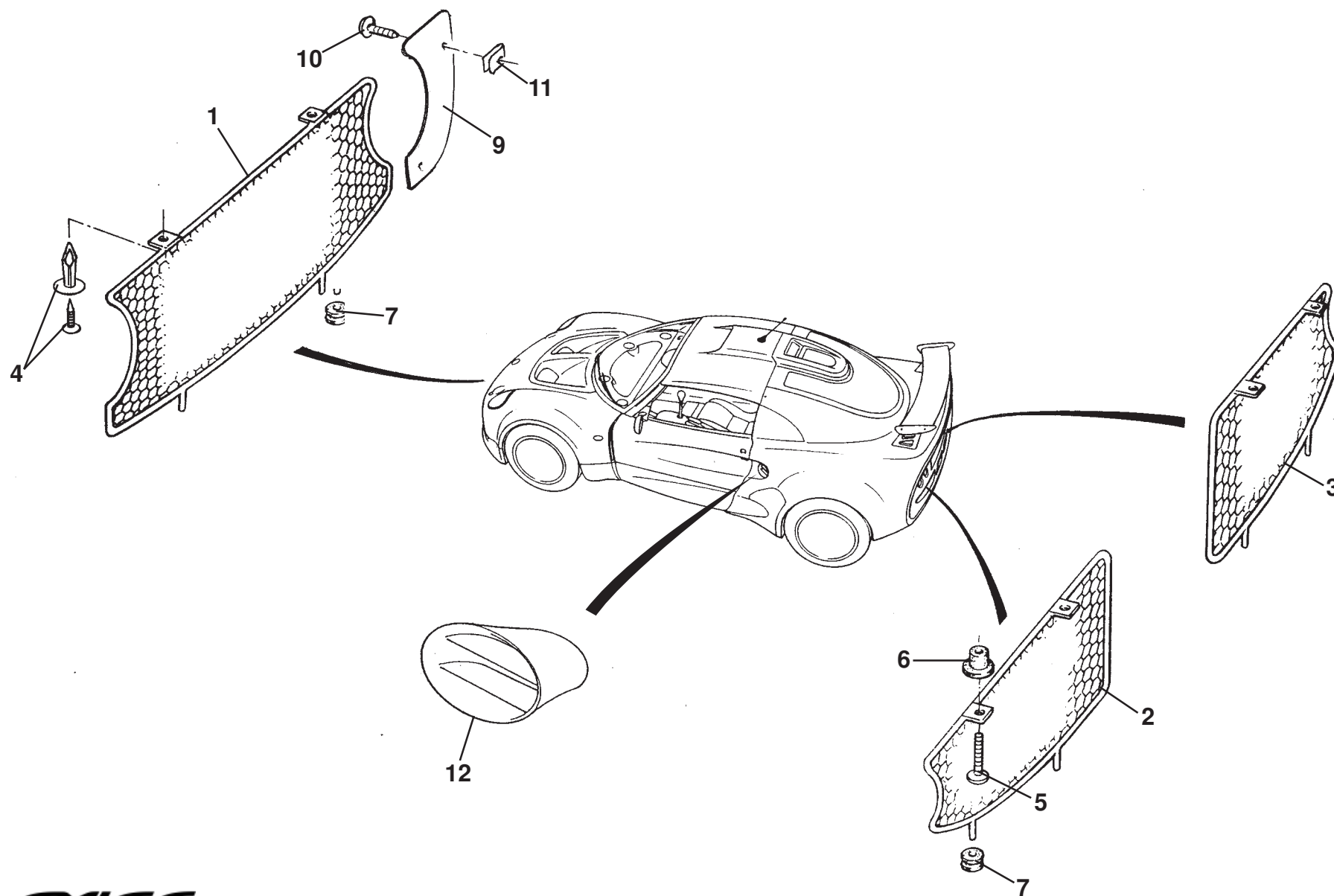


Function Code 12.01 Wheelarch Liners

<u>Dep</u>	<u>Part Description</u>	<u>Remarks</u>	<u>Option</u>	<u>Part Number</u>	<u>Qty</u>
01	Wheelarch Liner, front, RH			A111B0714F	1
02	Wheelarch Liner, rear, RH			A111B0712F	1
03	Wheelarch Liner, front, LH			A111B0713F	1
04	Wheelarch Liner, rear, LH			A111B0711F	1
05	Blanking Grommet, headlamp bulb access			X026B0371Z	2
06	Blanking Grommet, 12.5mm, liner services plinth			A100B6163F	3
07	Weather Seal, front liners			B111U0194K	2x1.4M
08	Weather Seal, rear liners			B111U0195K	2x1.2M
09	Screw, M5 x 20, pozi, pan hd., liner fix.	Front of front liner, rear of rear liner to clamshells		A075W5084F	8
10	Washer, shakeproof, M5			A075W4045Z	4
11	Washer, flat, M5			A075W4011Z	8
12	Rawlnut, M5, clamshells, front & rear			A075W6074F	8
13	Screw, M6 x 25, pozi, pan hd. liner fix.	Rear of front liner, front of rear liner to sills, rear liner to chassis		A075W5089Z	14
13a	Plastic Fastener	Rear of front liner to sill		A100W6391F	6
14	Washer, shakeproof, M6			A075W4046Z	14
15	Washer, flat, M6			A075W4015Z	14
16	Rawlnut, M6 x 15, sills, chassis & shear plate			A075W6141F	14

Function Code 12.01 Wheelarch Liners

<u>Dep</u>	<u>Part Description</u>	<u>Remarks</u>	<u>Option</u>	<u>Part Number</u>	<u>Qty</u>
17	Grommet G2, 25mm, speed sensor harness			A082L6181F	2
18	Wheelarch Liner Extension Panel, rear			A111B0827K	2
19	Wheelarch Liner Extension Panel, front		A111B0826K R/B	B111B0826K	2
20	Weather Seal, rear extension panels		A085U6080V R/B	A089U6055F	0.88M
21	Weather Seal, front extension panels		A085U6080V R/B	A089U6055F	0.72M
22	Plastic Fastener, panels fix.			A111W6534F	12



EXIGE

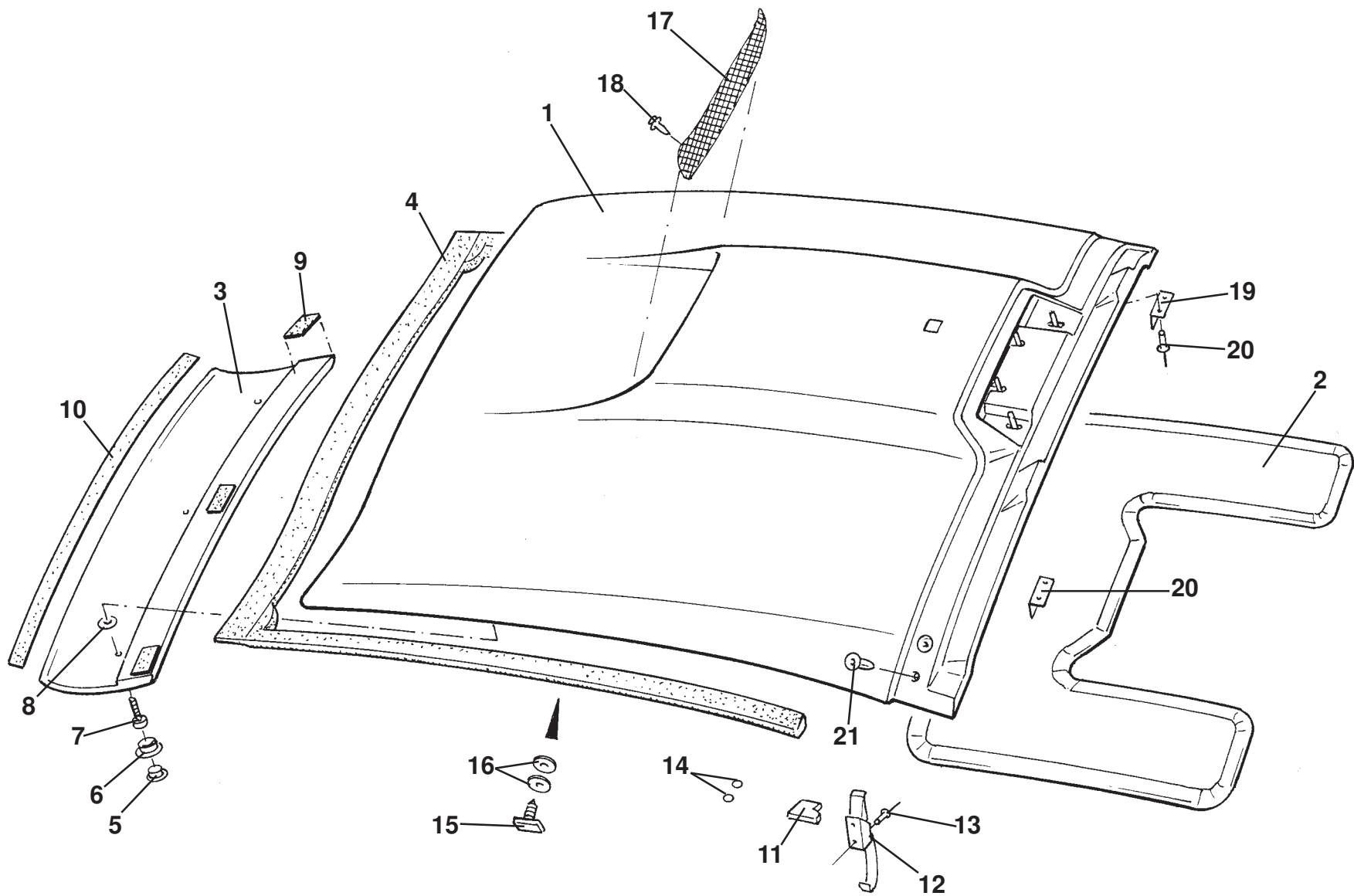
12.03

Service Parts List **EXIGE**



Function Code 12.03 Grilles and Louvres

<u>Dep</u>	<u>Part Description</u>	<u>Remarks</u>	<u>Option</u>	<u>Part Number</u>	<u>Qty</u>
01	Grille, front intake			B111B0059F	1
02	Grille, rear clamshell recess, LH	Access to reverse lamp (RHD)		B111B0183F	1
03	Grille, rear clamshell recess, RH	Access to rear fog lamp (RHD)		B111B0184F	1
04	Plastic Fastener, front grille fix.			A111W6534F	2
05	Screw, M5 x 16, pan hd. pozi., rear grille fix. to clamshell			A082W5117F	4
06	Rubber Rawlnut, 5mm, rear grille fix. to clamshell			A075W6074F	4
07	Grommet, rear and front grille spigots to clamshells			A082B6158F	6
09	Grille Infill Panel			A111B0825F	2
10	Screw, No.8 x 0.75", flg. hd. pozi., black			A075W5074Z	4
11	Spirenut, No. 8			A075W6016Z	4
12	Air Intake Duct	Bonded to rear clamshell		B111B0027F	2



EXIGE
12.04a

Service Parts List **EXIGE**

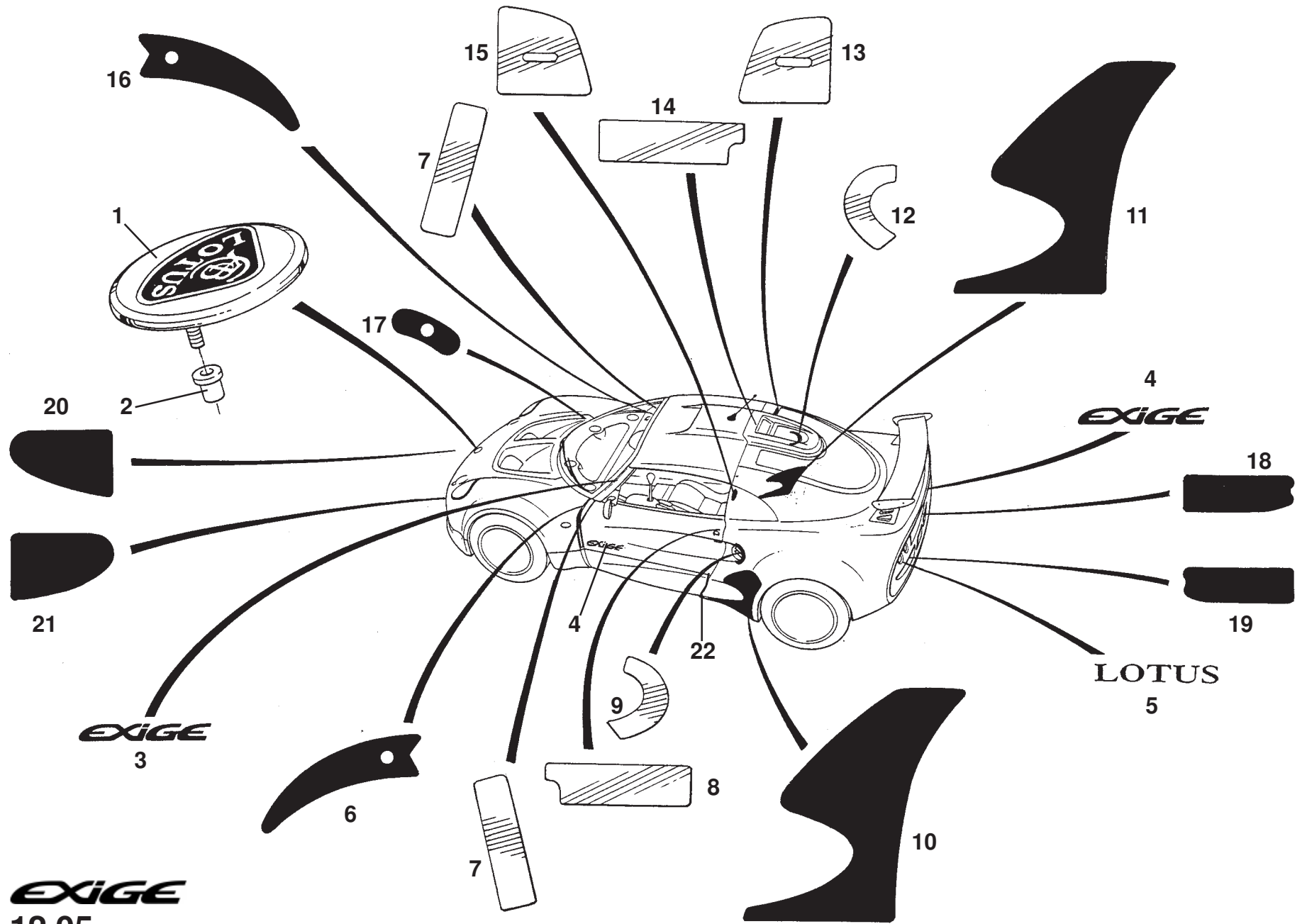


Function Code 12.04a Roof Panel, Seals & Fixings

<u>Dep</u>	<u>Part Description</u>	<u>Remarks</u>	<u>Option</u>	<u>Part Number</u>	<u>Qty</u>
01	Roof Panel Assembly		Primed	A111B0841K	1
02	Roof Panel Headlining, cloth			A111V0674J	1
03	Clamp Assembly, roof panel to header rail			A111B0382J	1
04	Roof Panel Seal Assembly			E111U0307F	1
05	Blanking Plug, clamp screw access			A111V6031F	3
06	Finisher, clamp screw access hole			A111U0203K	3
07	Screw, M8 x 25, button hd., skt., clamp fix.	Black finish		A111W7115F	3
08	Washer, M8 x 15 x 2, rubber, clamp to hardtop			A089W4093f	3
09	Black neophrene	Fix to clamp		A082B6177V	As req.
10	Foam seal, self adhesive, 19 mm x 5 mm	Fix to clamp		A082U6068V	As req.
11	Buffer Pad, foam, LH	Self adhesive		C111B0247F	1
11a	Buffer Pad, foam, RH	Self adhesive, not illustrated		C111B0248F	1
12	Latch Assembly			A111B6054F	2
13	Pop Rivet			A100W6397F	8
14	Bumper Foot, self adhesive	Roof panel to striker		A111U6054F	4
15	Fastener, firtree, seal assy. to hardtop			A111W6622F	12
16	Washer, flat, seal assy. to hardtop			A075W4013Z	24
17	Grille, roof panel intake			A111B0855F	1

Function Code 12.04a Roof Panel, Seals & Fixings

<u>Dep</u>	<u>Part Description</u>	<u>Remarks</u>	<u>Option</u>	<u>Part Number</u>	<u>Qty</u>
18	Plastic fastener, grille fix.			A100W6479F	2
19	Clip, rear glass retention, upper			B111B0291F	2
20	Pop Rivet, clip ot roof panel			A075W6070Z	4
21	Jacknut, M5, rear clamshell upper fixing			A076W3043F	4



EXIGE
 12.05

Service Parts List *EXIGE*

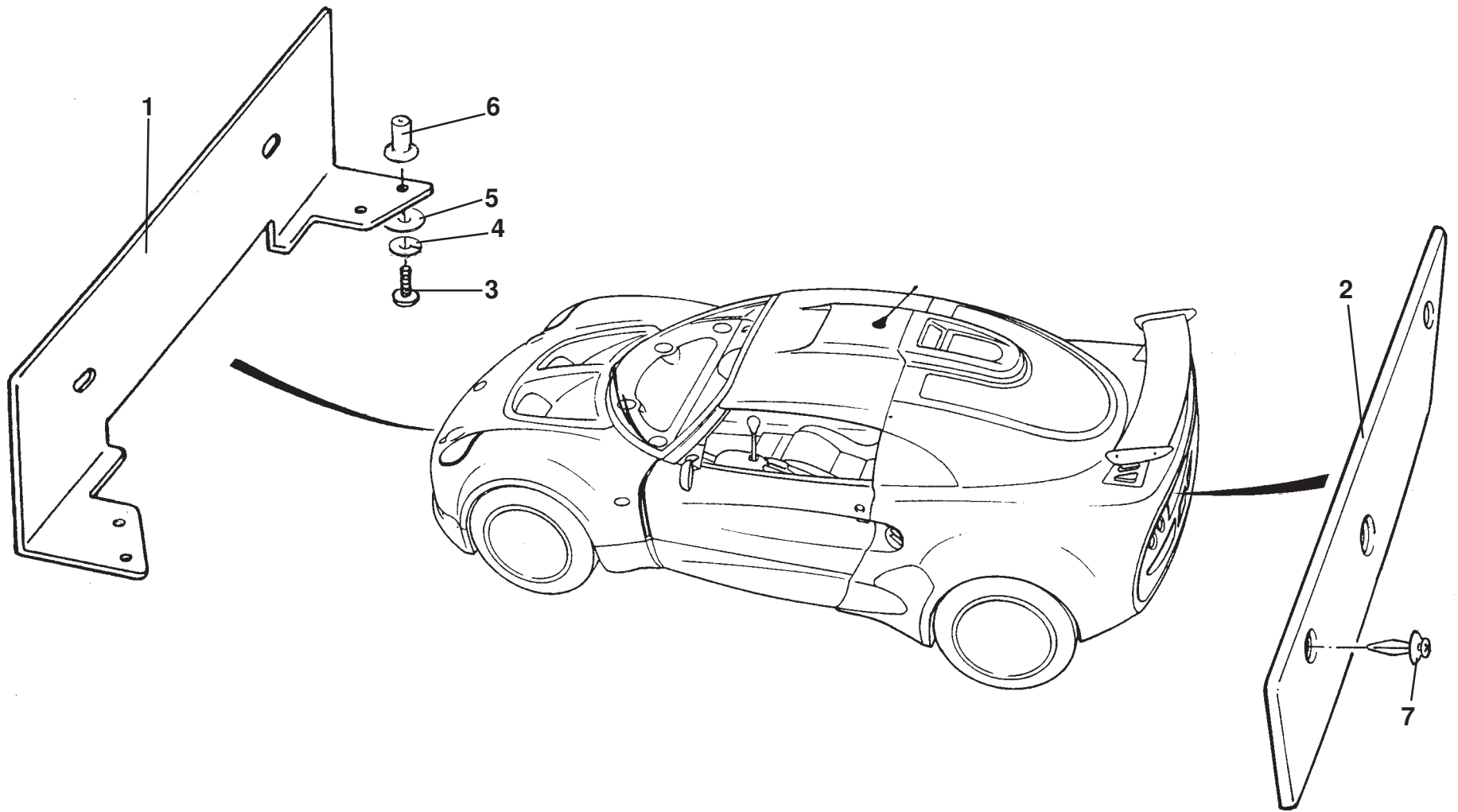


Function Code 12.05 Decals, Badges & Protective Film

<u>Dep</u>	<u>Part Description</u>	<u>Remarks</u>	<u>Option</u>	<u>Part Number</u>	<u>Qty</u>
01	Nose Badge, Lotus logo			A089U1816F	1
02	Rawlnut, 5mm, rubber, nose badge fix.			A075W6074F	1
03	Decal, Exige, silver, fascia			A111B0794F	1
04	Decal, Exige, charcoal, rear clamshell & doors			A111B0799F	3
04a	Decal, Exige, silver, rear clamshell & doors			A111B0798F	3
05	Decal, Lotus, charcoal, rear clamshell			A111B0797F	1
05a	Decal, Lotus, silver, rear clamshell			A111B0796F	1
06	Film, blackout, front clamshell, to door shut face, LH			A111B0341K	1
07	Film, front of cheater, LH/RH			A111B0342K	2
08	Film, rear of door shut face, LH			B111U0221K	1
09	Film, side intake protection, LH			A111B0283K	1
10	Film, black, rear wheelarch protection, LH			A111B0749F	1
11	Film, black, rear wheelarch protection, RH			A111B0748F	1
12	Film, rear intake protection, RH			A111B0284K	1
13	Film, cant rail striker, RH			A111B0344K	1
14	Film, rear of door shut face, RH			B111U0222K	2
15	Film, cant rail striker, LH			A111B0343K	1
16	Film, blackout, front clamshell, to door shut face, RH			A111B0340K	1

Function Code 12.05 Decals, Badges & Protective Film

<u>Dep</u>	<u>Part Description</u>	<u>Remarks</u>	<u>Option</u>	<u>Part Number</u>	<u>Qty</u>
17	Film, blackout, front clamshell top fix.	Around fixing holes		A111B0697S	2
18	Film, blackout, rear clamshell recess, RH			B111B0790F	1
19	Film, blackout, rear clamshell recess, LH			B111B0789F	1
20	Film, blackout, front clamshell recess, RH			A111B0784F	1
21	Film, blackout, front clamshell recess, LH			A111B0785F	1
22	Edge Finisher, rubber, clamshell protection	Cut & trim to fit		A111B0877K	1M
23	Film Set, paint protection kit	Not illustrated	Accessory only	A111V0627S	1
24	Film, paint protection, bulk	Not illustrated, cut to fit		A100B2477V	As req.



EXIGE

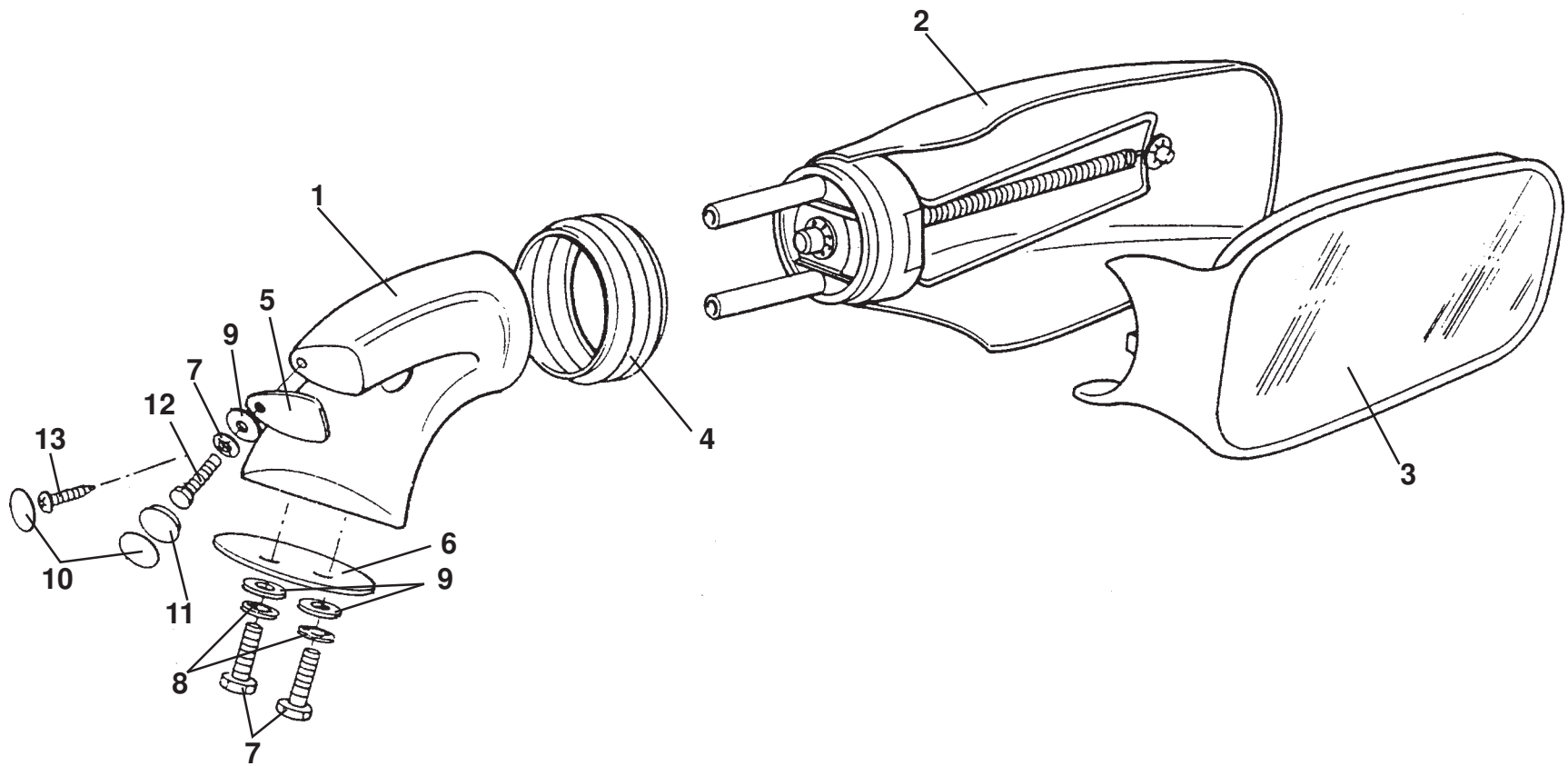
12.07

Service Parts List *EXIGE*



Function Code 12.07 Licence Plate Mountings

<u>Dep</u>	<u>Part Description</u>	<u>Remarks</u>	<u>Option</u>	<u>Part Number</u>	<u>Qty</u>
01	Plinth, front license plate mounting			A340B0088F	1
02	Plinth, rear license plate mounting			A111B0829F	1
03	Screw, M5 x 20, button hd.			A075W5084F	4
04	Washer, spring, M5			A082W4130F	4
05	Washer, flat, M5			A075W4011Z	4
06	Rawlnut, M5			A075W6074F	4
07	Plastic Fastener, plinth to clamshell			A111W6534F	2



EXIGE

12.09

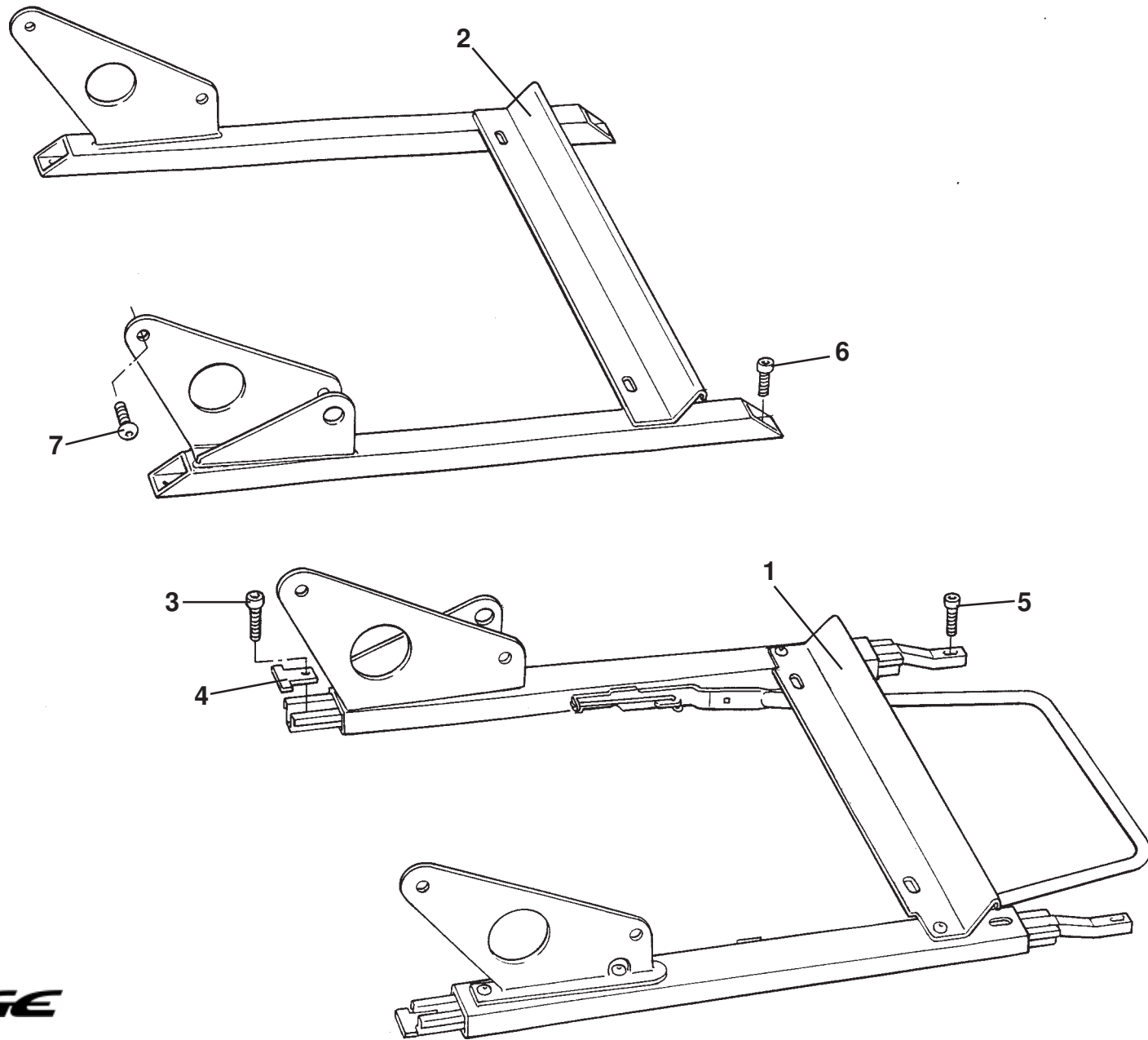
Updated 4th October 2012

Service Parts List **EXIGE**



Function Code 12.09 Exterior Driving Mirrors

<u>Dep</u>	<u>Part Description</u>	<u>Remarks</u>	<u>Option</u>	<u>Part Number</u>	<u>Qty</u>
01	Mirror Plinth, mounting, RH	Not painted		A111U0076F	1
01a	Mirror Plinth, mounting, LH	Not painted		A111U0075F	1
02	Mirror Housing, common RH & LH	Not painted		A111U0117K	2
03	Glass Assembly, convex			A111U6046F	2
03a	Glass Assembly, flat		Australia only	A111U6039F	2
04	Bellows, mirror to plinth			A111U6032F	2
05	Gasket, mirror plinth upper			B111U0104F	2
06	Gasket, mirror plinth lower			C111U0103F	2
07	Setscrew, M5 x 20, hex. hd.			A075W1025F	4
08	Washer, internal shakeproof, M5			A075W4045Z	4
09	Washer, flat, M5			A075W4011Z	4
10	Blanking Tape			A111V0206K	4
11	Blanking Grommet			A100B6163F	2
12	Screw, M5 x 20, cap hd.			A111W7126F	2
13	Screw, No 10 x 1", pan hd. pozi., plinth to mirror			A075W5043Z	2



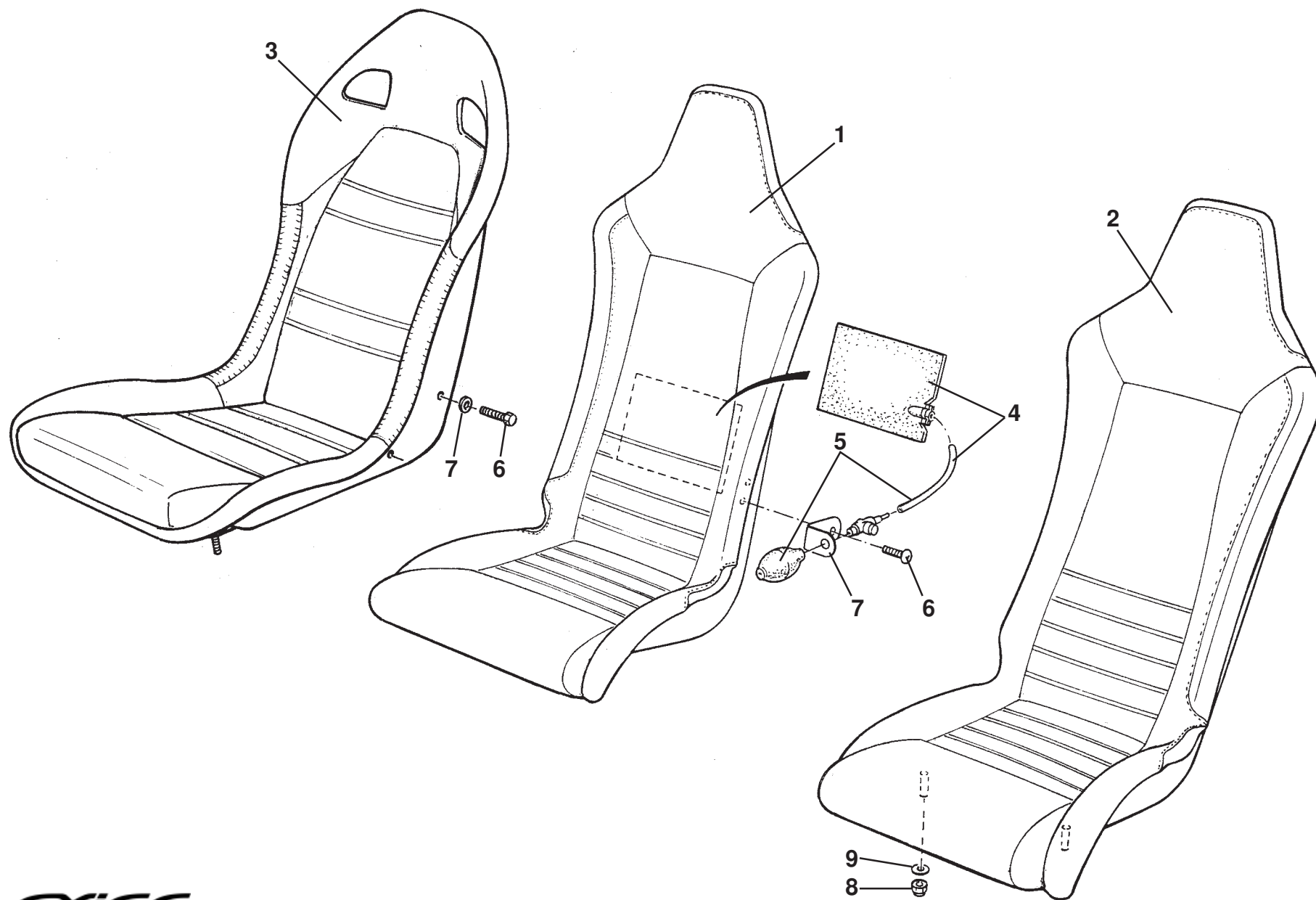
EXIGE
13.01

Service Parts List *EXIGE*



Function Code 13.01 Seat Runners

<u>Dep</u>	<u>Part Description</u>	<u>Remarks</u>	<u>Option</u>	<u>Part Number</u>	<u>Qty</u>
01	Seat Runners, driver, RHD		Standard	A111V0012J	1
01a	Seat Runners, driver, LHD		Standard	A111V0011J	1
01b	Sports Seat Runners, driver, RHD	For 4 point harness	Optional	A340V0009J	1
01c	Sports Seat Runners, driver, LHD	For 4 point harness	Optional	A340V0010J	1
02	Seat Mounting Frame, passenger, RHD		Standard	A111V0013F	1
02a	Seat Mounting Frame, passenger, LHD		Standard	A111V0014F	1
02b	Sports Seat Mounting Frame, passenger, RHD	For 4 point harness	Optional	A340V0007F	1
02c	Sports Seat Mounting Frame, passenger, LHD	For 4 point harness	Optional	A340V0008F	1
03	Screw, M8 x 20, cap hd.	Runner rear fix.		A111W7130F	2
04	Stop, seat runner			B111V0017F	2
05	Screw, M8 x 25, cap hd.	Runner front fix.		A111W7115F	2
06	Screw, M8 x 16, cap hd.	Mounting frame fix.		A111W7125F	4
07	Screw, M8 x 12, button hd.	Side brackets to seat fix.		A111W7131F	4



EXIGE

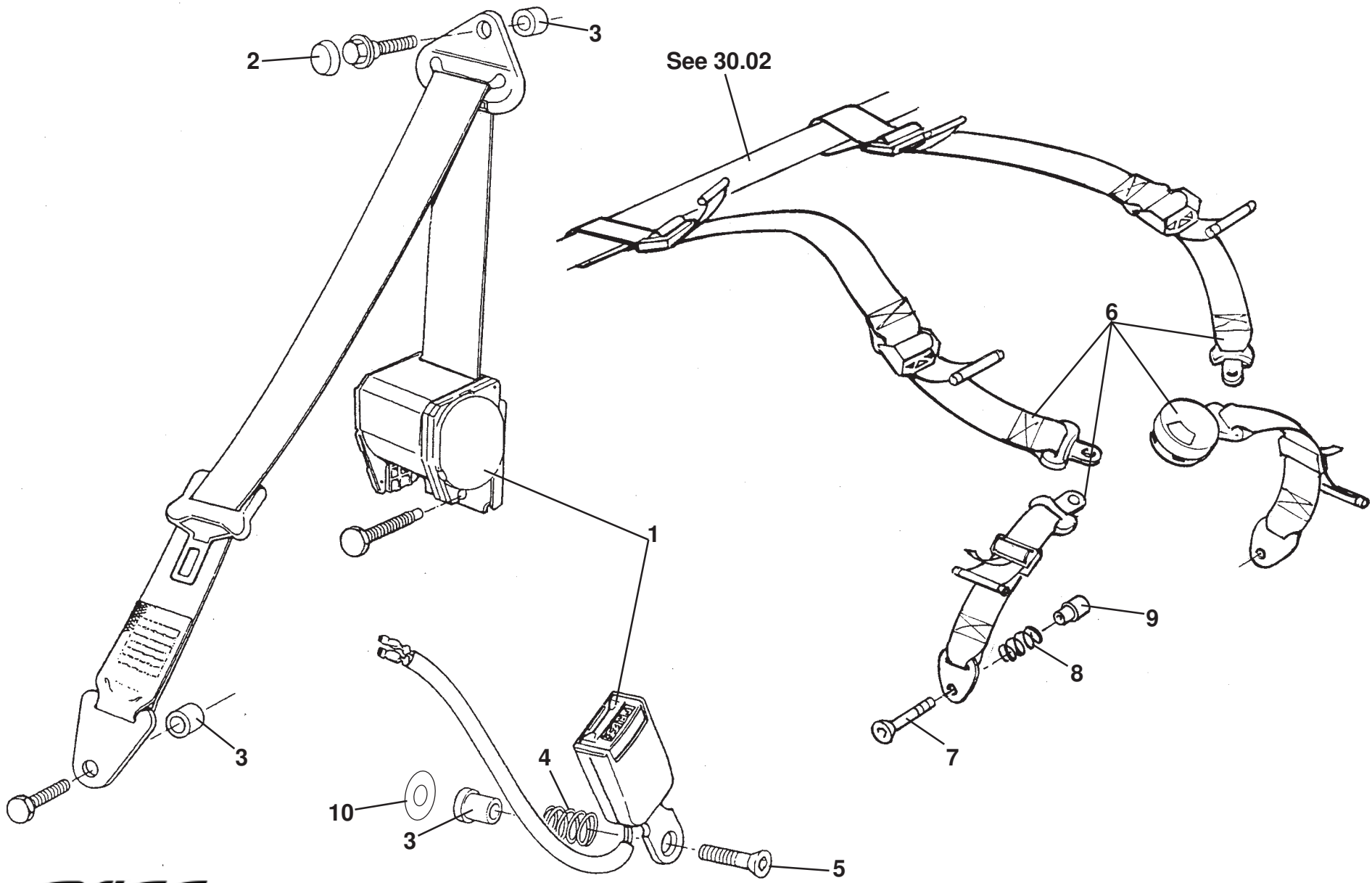
13.02

Service Parts List *EXIGE*



Function Code 13.02 Seat Assemblies, front

<u>Dep</u>	<u>Part Description</u>	<u>Remarks</u>	<u>Option</u>	<u>Part Number</u>	<u>Qty</u>
01	Seat Assembly, comfort, driver, RHD		Black leather	A111V0458J	1
01a	Seat Assembly, comfort, driver, LHD		Black leather	A111V0459J	1
01b	Seat Assembly, comfort, driver, RHD		Black leather/red alcantara	A111V0548K	1
01c	Seat Assembly, comfort driver, LHD		Black leather/red alcantara	A111V0550K	1
02	Seat Assembly, comfort, passenger, RHD		Black leather	A111V0457J	1
02a	Seat Assembly, comfort, passenger, LHD		Black leather	A111V0491J	1
02b	Seat Assembly, comfort, passenger, RHD		Black leather/red alcantara	A111V0549K	1
02c	Seat Assembly, comfort, passenger, LHD		Black leather/red alcantara	A111V0551K	1
03	Seat Assembly, sports	Optional	Black alcantara	A111V0650J	1
03a	Seat Assembly, sports	Optional	Red alcantara	A111V0642J	1
03b	Seat Assembly, sports	Optional	Blue alcantara	A111V0646J	1
03c	Seat Assembly, sports	Optional	Silver alcantara	A111V0654J	1
04	Inflatable Lumbar Support, driver	Includes tube, driver only		A111V0117F	1
05	Pump & Valve, lumbar support			A089V6142F	1
06	Screw, M8 x 12, button hd.			A111W7131F	1
07	Bracket, pump & valve assy.			B111V0127F	1
08	Nyloc Nut, M8			A075W3010Z	4
09	Washer flat, M8 x 17 x 1.6mm			A075W4020Z	4



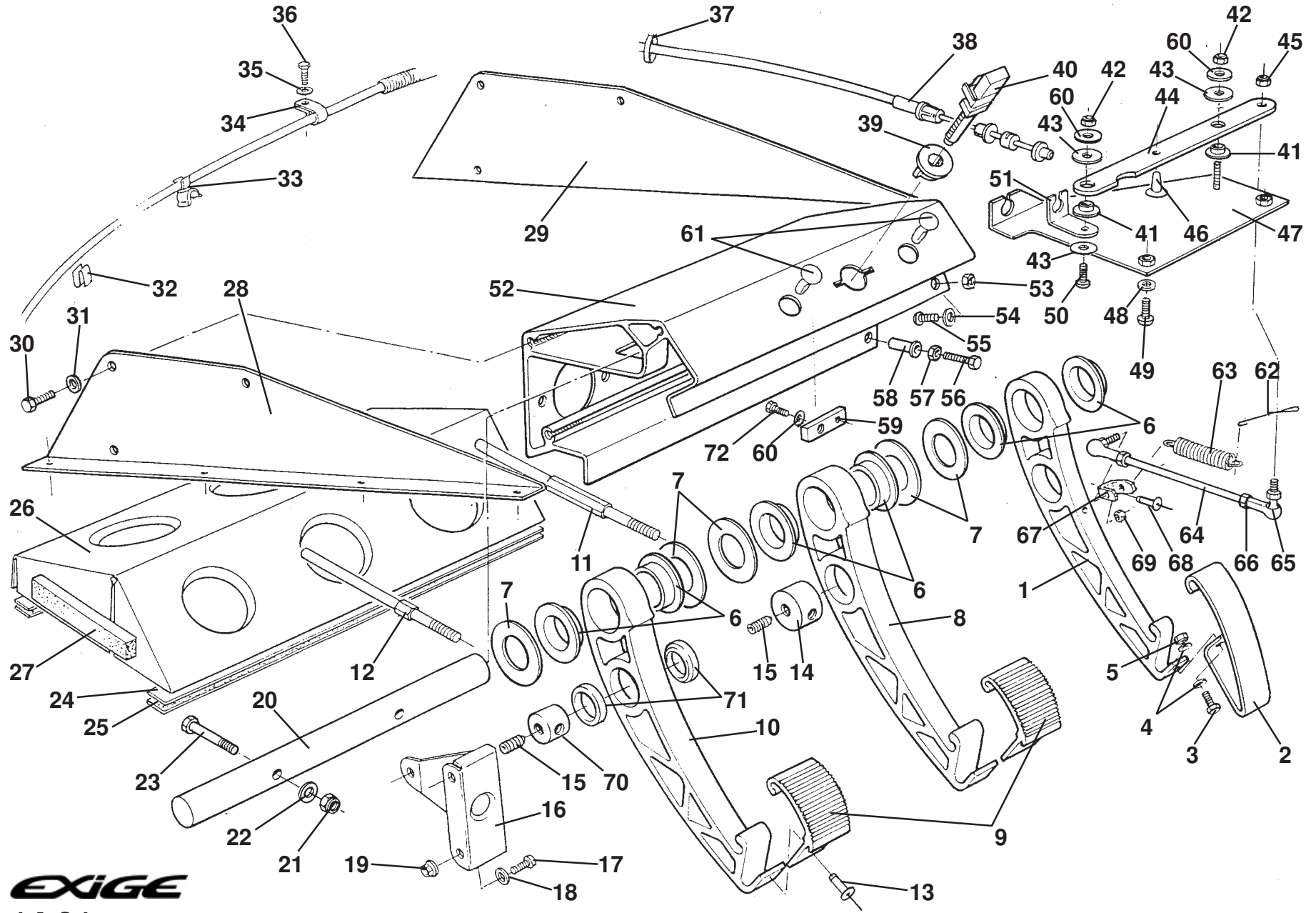
EXIGE
13.27

Service Parts List **EXIGE**



Function Code 13.27 Seat Belts, front

<u>Dep</u>	<u>Part Description</u>	<u>Remarks</u>	<u>Option</u>	<u>Part Number</u>	<u>Qty</u>
01	Seat Belt Assembly	Includes fixings, Items 2,3,4,5.	Standard	A111U0001F	2
02	Cap, black, top fixing bolt			A111U6015H	2
03	Spacer			A111U0017F	2
04	Spring, buckle to seat			A111U6016F	2
05	Bolt, 9/16" UNF, special, buckle to seat fix.			B111U0016F	2
06	Four Point Harness, RH	For harness bar & sports seats	Optional	A340U6008F	1
06a	Four Point Harness, LH	For harness bar & sports seats	Optional	A340U6009F	1
07	Bolt, special, 7/16" x 1.75" UNF, csk. hd.			A340U0103F	2
08	Spring, buckle to seat			A111U6016F	2
09	Spacer			A111U0017F	2
10	Spacer Washer, M12 x 24 x 2	Between seat and frame		A075W4028Z	4



EXIGE

14.01

Updated 4th December 2017

Service Parts List **EXIGE**



Function Code 14.01 Pedal Box, Pedals, Throttle Control

<u>Dep</u>	<u>Part Description</u>	<u>Remarks</u>	<u>Option</u>	<u>Part Number</u>	<u>Qty</u>
01	Throttle Pedal			C111J0018F	1
01a	Throttle Pedal Assembly			C111J0016J	1
02	Pad, throttle pedal			A111J0081F	1
03	Setscrew, M5 x 16, pad to arm retention			A075W1085F	1
04	Washer, M5 x 10 x 1.0, pad to arm retention			A075W4011Z	2
05	Nyloc Nut, M5, pad to arm retention			A075W3008Z	1
06	Bearing, pedal pivots			A111J6018F	6
07	Thrust Washer, pedal pivots			A111J6019F	5
08	Brake Pedal			B111J0069F	1
08a	Brake Pedal Assembly			B111J0070F	1
09	Pad, brake & clutch pedals			C111J0019F	2
10	Clutch Pedal			C111J0017F	1
11	Push Rod, brake master cylinder			A111J0041F	1
12	Push Rod, clutch master cylinder			A111J0042F	1
13	Pop Rivet, 5/32" x 1/2", pad fix.			A075W6068Z	2
14	Trunion, brake pedal			A111J0039F	2
15	Grubscrew, M6 x 6, push rod locking			A111W7147F	2
16	Driver Footrest, RHD			A111A0103F	1

EXIGE

Function Code: 14.01, Page: 1

Updated 4th December 2017

Function Code 14.01 Pedal Box, Pedals, Throttle Control

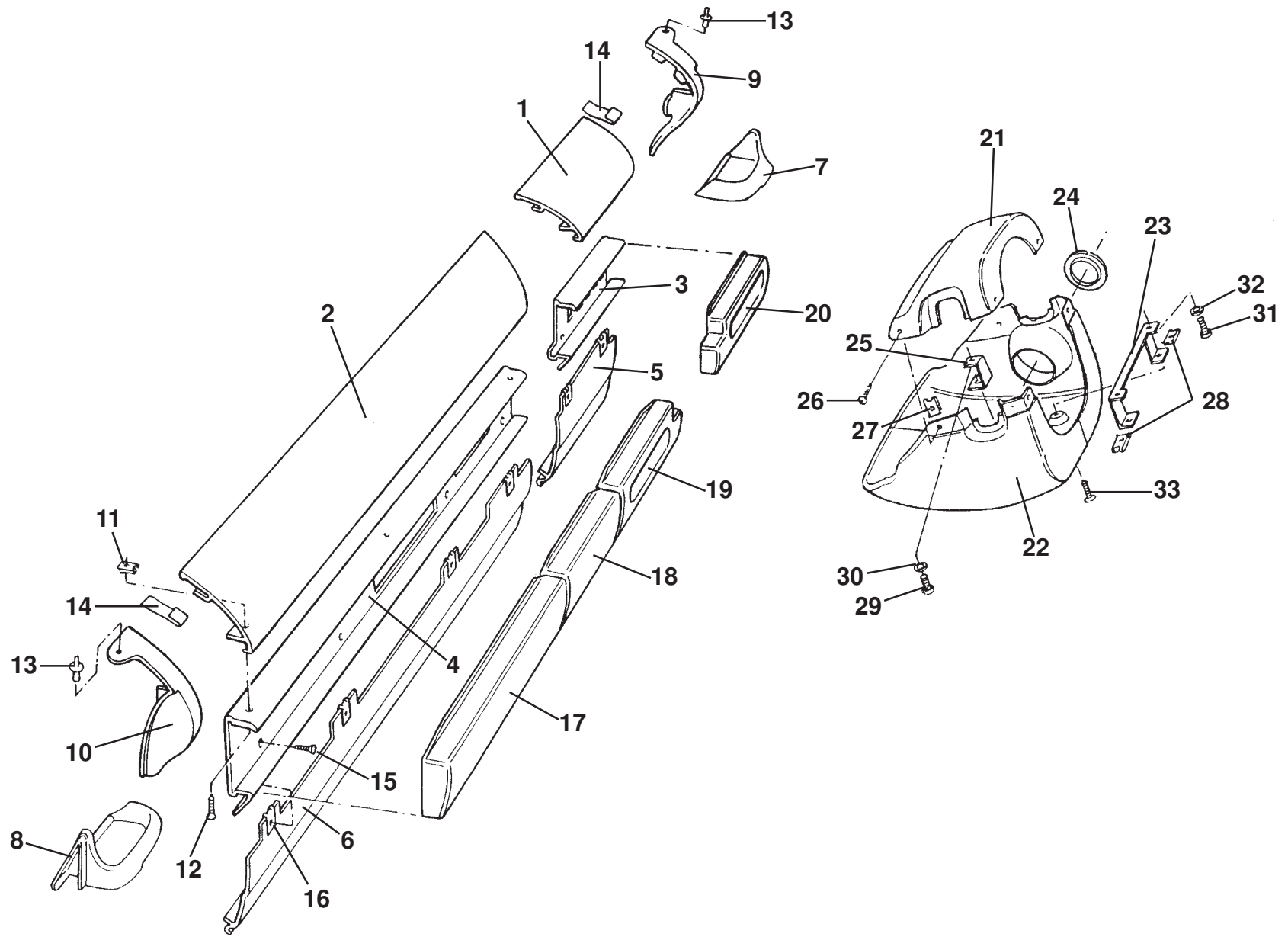
<u>Dep</u>	<u>Part Description</u>	<u>Remarks</u>	<u>Option</u>	<u>Part Number</u>	<u>Qty</u>
16a	Driver Footrest, LHD			A111A0104F	1
17	Screw, M6 x 16, pozi, footrest fix.			A076W5090F	3
18	Washer, shakeproof, M6, footrest fix.			A075W4046Z	3
19	Locknut, M6, footrest fix.			A100W3108F	3
20	Pedal Shaft			B111J0038F	1
21	Nyloc Nut, , M6, shaft fix.			A075W3009Z	2
22	Washer, flat, M6, shaft fix.			A075W4013Z	2
23	Screw, M6 x 35, hex. hd., shaft fix.			A075W1033Z	2
24	Grip-Lock, self adhesive, hook			A111V6020V	0.6M
25	Grip-Lok, self adhesive, loop			A111V6019V	0.6M
26	Passenger Footrest Assembly, RHD			B111A0101J	1
26a	Passenger Footrest Assembly, LHD			B111A0102J	1
27	Foam Seal, 25 x 12.5			A082U6065V	As req.
28	Side plate, pedal box, LH			B111J0033F	1
29	Side plate, pedal box, RH			B111J0034F	1
30	Screw, M6 x 20, hex. hd., side plate fix.			A111W1155F	6
31	Washer, spring, M6			A075W4035Z	6
32	Clip, throttle cable to manifold fix.			A082W6370F	1
33	Clip, throttle cable to canister pipe fix.			A089W6268F	1
34	'P' Clip, throttle cable to sump			A111W6611F	1
35	Washer, shakeproof, M8, 'P' clip to sump			A075W4048Z	1

Function Code 14.01 Pedal Box, Pedals, Throttle Control

<u>Dep</u>	<u>Part Description</u>	<u>Remarks</u>	<u>Option</u>	<u>Part Number</u>	<u>Qty</u>
36	Setscrew, M8 x 20, 'P' clip to sump			A075W1038Z	1
37	Tie Wrap, throttle cable fix.			A082W6324F	1
38	Throttle Cable		A340E0031F R/B	A340E0037F	1
39	Collar, brake light switch fix.			A089M6020F	1
40	Brake Light Switch			A089M6019F	1
41	Bush, nylon, relay lever			A111J6017J	1
42	Nut, M4			A075W3049F	1
43	Thrust Washer, nylon, relay lever			A111J6016F	8
44	Relay Lever, throttle linkage			B111J0045F	1
45	Nyloc Nut, M5			A100W3113F	2
46	Slider Button, relay lever			A111J6020F	1
47	Base Plate, relay lever, RHD			C111J0048F	1
47a	Base Plate, relay lever, LHD			C111J0047F	1
48	Washer, shakeproof, M5, base plate fix			A075W4054Z	2
49	Screw, M5 x 10, pozi, base plate fix.			A082W5097F	2
50	Screw, M4 x 16, pozi, swivel fix.			A100W5133F	2
51	Swivel, throttle linkage			A111J0043F	1
52	Pedal Box Extrusion			D111J0021F	1
53	Nyloc Nut, M5			A075W3008Z	1
54	Washer, flat, M5 x 10 x 0.8,			A111W4168F	1
55	Screw, M5 x 12, button hd.			A111W7138F	1

Function Code 14.01 Pedal Box, Pedals, Throttle Control

<u>Dep</u>	<u>Part Description</u>	<u>Remarks</u>	<u>Option</u>	<u>Part Number</u>	<u>Qty</u>
56	Setscrew, M6 x 35, throttle pedal stop			A075W1033Z	1
57	Nyloc Nut, M6, throttle pedal stop			A082W3085F	1
58	Pulsert, M6 x 1.0			A079W6156F	1
59	Nut Plate, pedal box			A111J0083F	1
60	Washer, flat, M5 x 10 x 1.0			A075W4011Z	2
61	Blanking Plug			A111J6020F	2
62	Link, throttle spring, RHD			A111J0096F	1
62a	Link, throttle spring, LHD			A111J0097F	1
63	Throttle Return Spring			A075J6029Z	1
64	Pull Rod , throttle linkage	Rod only		A111J0044F	1
65	Ball Joint, pull rod			A111J6015F	2
66	Locknut, M5, ball joint/pull rod			A082W3088F	2
67	Bracket, throttle pedal to pull rod			B111J0046F	1
68	Pop Rivet, 3/16", bracket to throttle pedal			A075W6087Z	1
69	Nyloc Nut, M5, throttle pedal link fix.			A100W3113F	2
70	Trunnion, clutch pedal			A111J0155F	1
71	Bush, synthetic, clutch pedal trunnion			A111J6036F	2
72	Setscrew, M5 x 12, hex. hd.			A075W1021Z	2
73	Grease, molycote DC33 medium, pedal bush lube	Not illustrated		A111F6016V	As req.



EXIGE

14.05

Service Parts List *EXIGE*



Function Code 14.05 Fascia Structure & Supporting Hardware

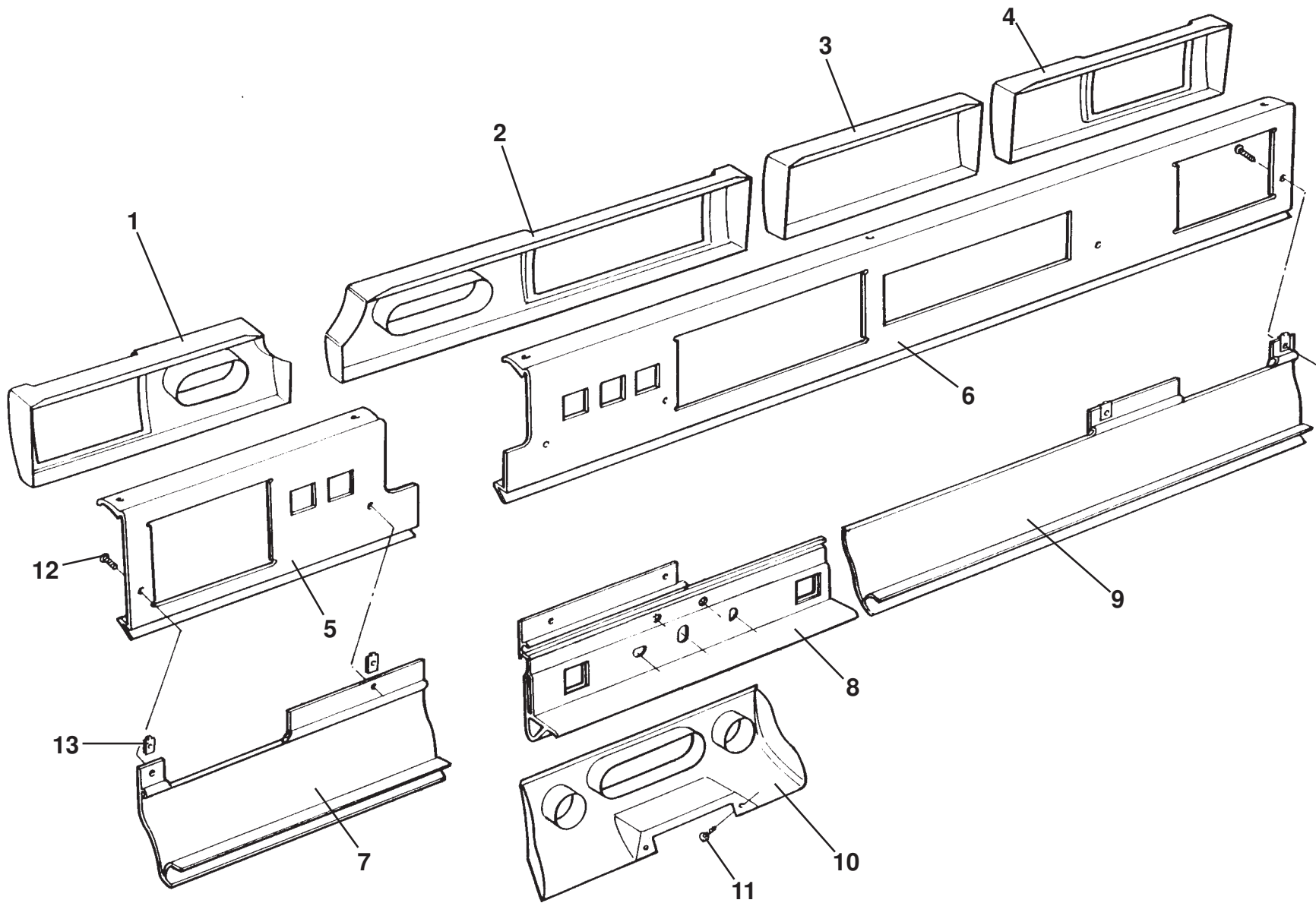
<u>Dep</u>	<u>Part Description</u>	<u>Remarks</u>	<u>Option</u>	<u>Part Number</u>	<u>Qty</u>
01	Dash Panel Upper, driver's side (short)		RHD	B111U0106F	1
01a	Dash Panel Upper, driver's side (short)		LHD	B111U0105F	1
02	Dash Panel Upper, passenger's side (long)		RHD	B111U0108F	1
02a	Dash Panel Upper, passenger's side (long)		LHD	B111U0107F	1
03	Dash Panel Middle, driver's side (short)		RHD	B111U0110F	1
03a	Dash Panel Middle, driver's side (short)		LHD	B111U0109F	1
04	Dash Panel Middle, passenger's side (long)		RHD	B111U0112F	1
04a	Dash Panel Middle, passenger's side (long)		LHD	B111U0111F	1
05	Dash Panel Lower, driver's side (short)		RHD/LHD	B111U0113F	1
06	Dash Panel Lower, passenger's side (long)		RHD/LHD	B111U0114F	1
07	Coin Tray, RH			A111V0086K	1
08	Coin Tray, LH			A111V0087K	1
09	Finisher, dash end, RH			A111V0056K	1
10	Finisher, dash end, LH			A111V0057K	1
11	Spire Nut	Dash middle to upper		A075W6016Z	6
12	Screw, No.8 x 3/4", csk. pozi.	Dash middle to upper		A111W5215F	6
13	Plastic Rivet	Dash end finishers		A082W6515F	2
14	Spring Clip, anti-rattle			A111B0190F	4

Function Code 14.05 Fascia Structure & Supporting Hardware

<u>Dep</u>	<u>Part Description</u>	<u>Remarks</u>	<u>Option</u>	<u>Part Number</u>	<u>Qty</u>
15	Screw No 6 x 3/4, csk. pozi.	Dash middle to lower		A075W5026Z	6
16	Spire Nut	Dash middle to lower		A082W6239F	6
17	Dash Infill Panel, senotex, passenger's side		RHD/LHD	A111V0077K	1
17a	Dash Infill Panel, blue alcantara, passenger's side		RHD/LHD	A111V0698K	1
18	Dash Infill Panel, senotex, radio blanking		RHD/LHD	A111V0373K	1
19	Dash Infill Panel, senotex, switches/htr. conts., LH		RHD/LHD	A111V0073K	1
19a	Dash Infill Panel, blue alcantara, switches/htr. conts., LH		RHD/LHD	A111V0699K	1
20	Dash Infill Panel, senotex, switches/htr. conts., RH		RHD/LHD	A111V0075K	1
20a	Dash Infill Panel, blue alcantara, switches/htr. conts., RH		RHD/LHD	A111V0700K	1
21	Shroud, steering column upper			B111V0059K	1
22	Shroud, steering column lower			A111V0383K	1
23	Bracket, steering column cowling front			A111U0127F	1
24	Grommet, steering lock to cowling			B100V6061F	1
25	Bracket, steering column cowling rear			A111U0128F	1
26	Screw No 8 x 3/4, csk. pozi.	Upper to lower cowling		A075W5012F	4
27	Spire Nut, M6	Upper to lower cowling		A079W6024F	4
28	Spire Nut, M8	Cowling to brackets		A075W6016Z	3
29	Screw No. 10 x 1/2", pan hd. pozi.	Bracket to column rear		A075W5040Z	2
30	Washer, flat, M5	Bracket to column rear		A075W4011Z	2
31	Screw, M4 x 10, pan hd. pozi.	Bracket to column front		A075W5079F	2
32	Washer, int. shakeproof, M4	Bracket to column front		A075W4086F	2

Function Code 14.05 Fascia Structure & Supporting Hardware

<u>Dep</u>	<u>Part Description</u>	<u>Remarks</u>	<u>Option</u>	<u>Part Number</u>	<u>Qty</u>
33	Screw, No. 8 x 3/4"	Cowling to brackets		A075W5074Z	3



EXIGE

14.05a

Service Parts List *EXIGE*

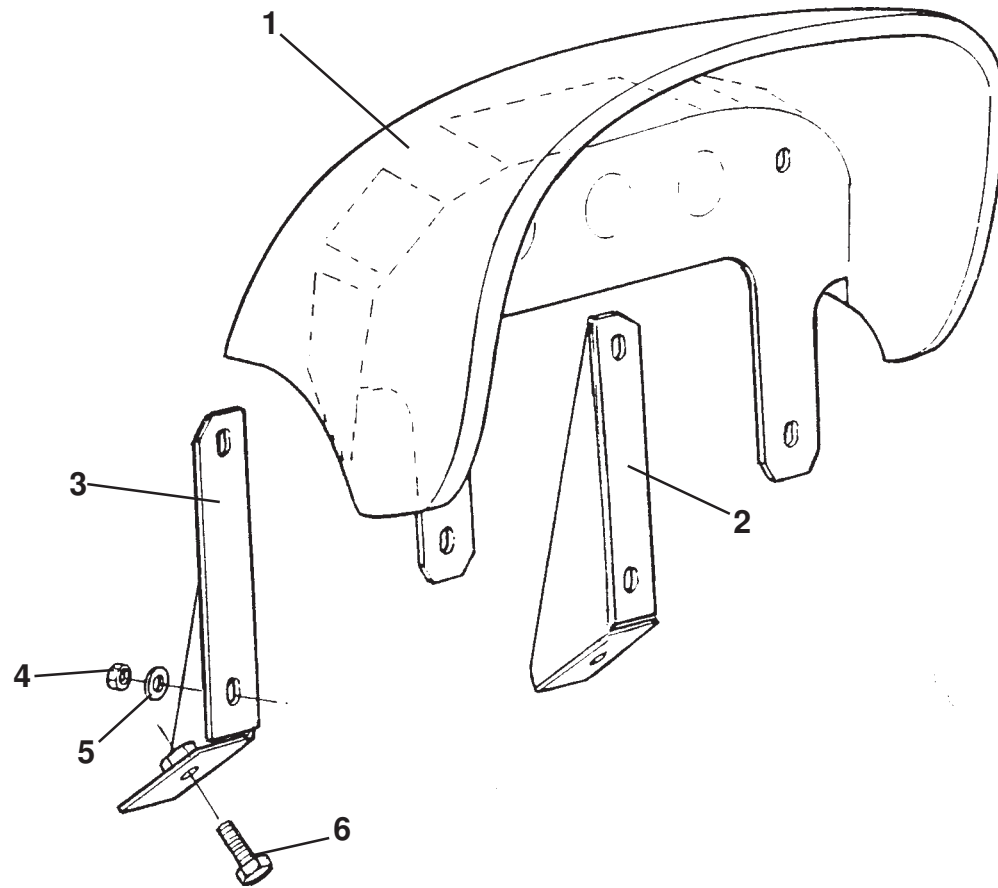


Function Code 14.05a Fascia Structure & Supporting Hardware AC Cars

<u>Dep</u>	<u>Part Description</u>	<u>Remarks</u>	<u>Option</u>	<u>Part Number</u>	<u>Qty</u>
01	Infill Panel, driver's side, single vent.		RHD	A111V0268K	1
01a	Infill Panel, driver's side, single vent.		LHD	A111V0267K	1
02	Infill Panel, centre, twin vent.		RHD	A111V0270K	1
02a	Infill Panel, centre, twin vent.		LHD	A111V0269K	1
03	Blanking Panel, radio aperture		Common	A111V0281K	1
04	Infill Panel, passenger's side, single vent.		RHD	A111V0278K	1
04a	Infill Panel, passenger's side, single vent.		LHD	A111V0279K	1
05	Dash Panel Middle, driver's side (short)		RHD	A111U0364F	1
05a	Dash Panel Middle, driver's side (short)		LHD	A111U0365F	1
06	Dash Panel Middle, passenger's side (long)		RHD	B111U0366F	1
06a	Dash Panel Middle, passenger's side (long)		LHD	B111U367F	1
07	Dash Panel Lower, driver's side (short)		RHD	A111U0360F	1
07a	Dash Panel Lower, driver's side (short)		LHD	A111U0361F	1
08	AC Switch Panel		RHD	C111U0370F	1
08a	AC Switch Panel		LHD	C111U0369F	1
09	Dash Panel Lower, passenger's side (long)		RHD	A111U0362F	1
09a	Dash Panel Lower, passenger's side (long)		LHD	A111U0363F	1
10	Trim Panel, AC switches		RHD	A111V0290K	1

Function Code 14.05a Fascia Structure & Supporting Hardware AC Cars

<u>Dep</u>	<u>Part Description</u>	<u>Remarks</u>	<u>Option</u>	<u>Part Number</u>	<u>Qty</u>
10a	Trim Panel, AC switches		LHD	A111U0289K	1
11	Screw, No.6 x 1/2", flg. hd. pozi.	Trim panel to dash		A075W5012F	2
12	Screw, No.6 x 3/4", csk. pozi.	Dash middle to lower		A075W5026Z	6
13	Spirenut	Dash middle to lower		A082W6239F	6



EXIGE

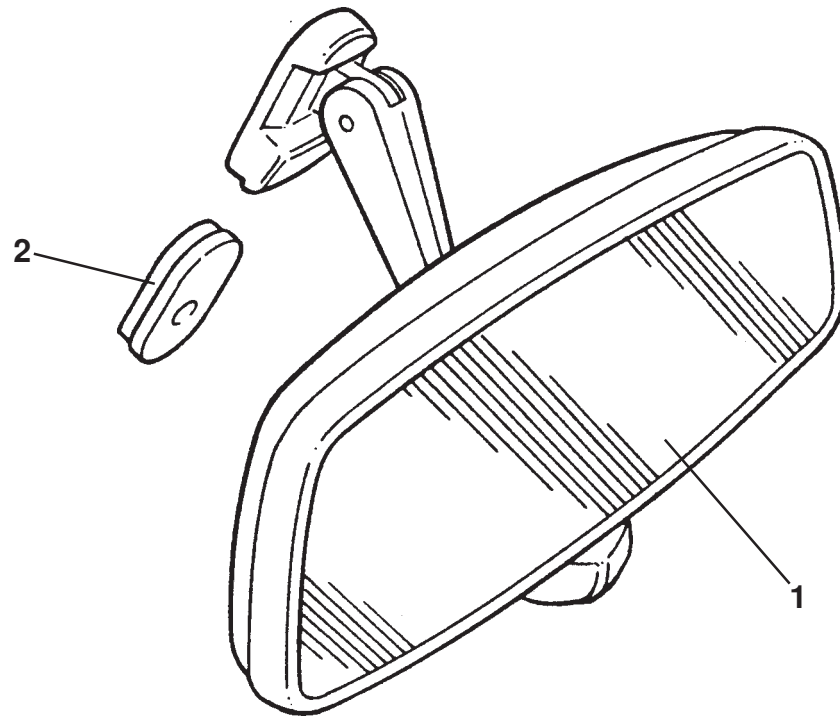
14.10

Service Parts List *EXIGE*



Function Code 14.10 Instrument Cowling

<u>Dep</u>	<u>Part Description</u>	<u>Remarks</u>	<u>Option</u>	<u>Part Number</u>	<u>Qty</u>
01	Instrument Cowling			A111U0146J	1
02	Bracket, instrument mounting, RH			C111U0156F	1
03	Bracket, instrument mounting, LH			C111U0155F	1
04	Nut, M4	Instrument pack to brackets		A075W3019F	4
05	Washer, flat, M4 x 9 x 0.8	Instrument pack to brackets		A082W4099F	4
06	Screw, M6 x 15, hex. hd.	Brackets to dash		A100A6024F	2



EXIGE

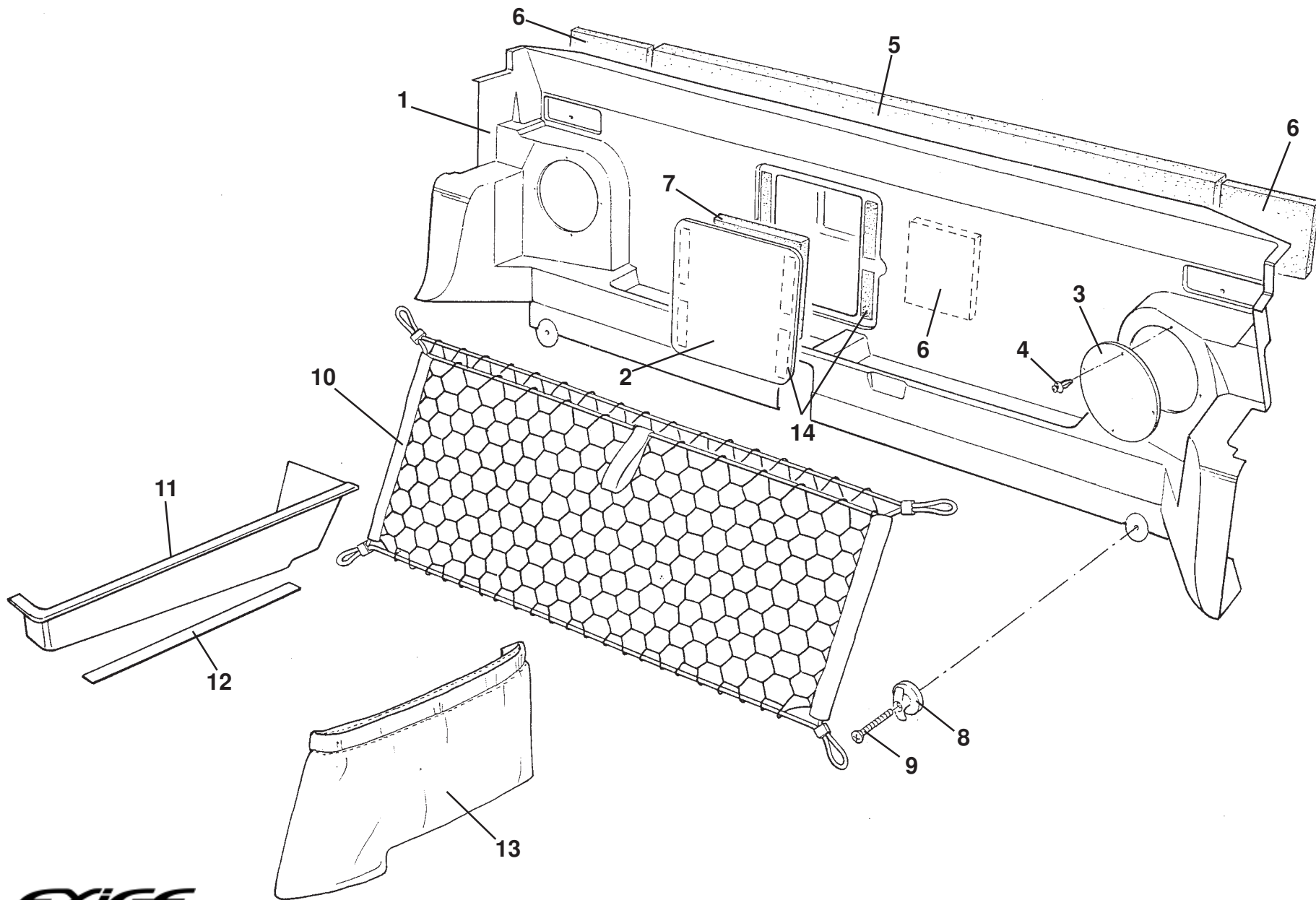
15.05

Service Parts List **EXIGE**



Function Code 15.05 Interior Driving Mirror & Sunvisors

<u>Dep</u>	<u>Part Description</u>	<u>Remarks</u>	<u>Option</u>	<u>Part Number</u>	<u>Qty</u>
01	Mirror, interior rear view	Includes Item 2, (Rover 90943378)		A111U6001F	1
02	Mounting Plinth, interior mirror			A111U6026F	1
03	Adhesive Kit, mirror mounting plinth	Not illustrated		A100B6230S	1



EXIGE

15.11

Service Parts List *EXIGE*

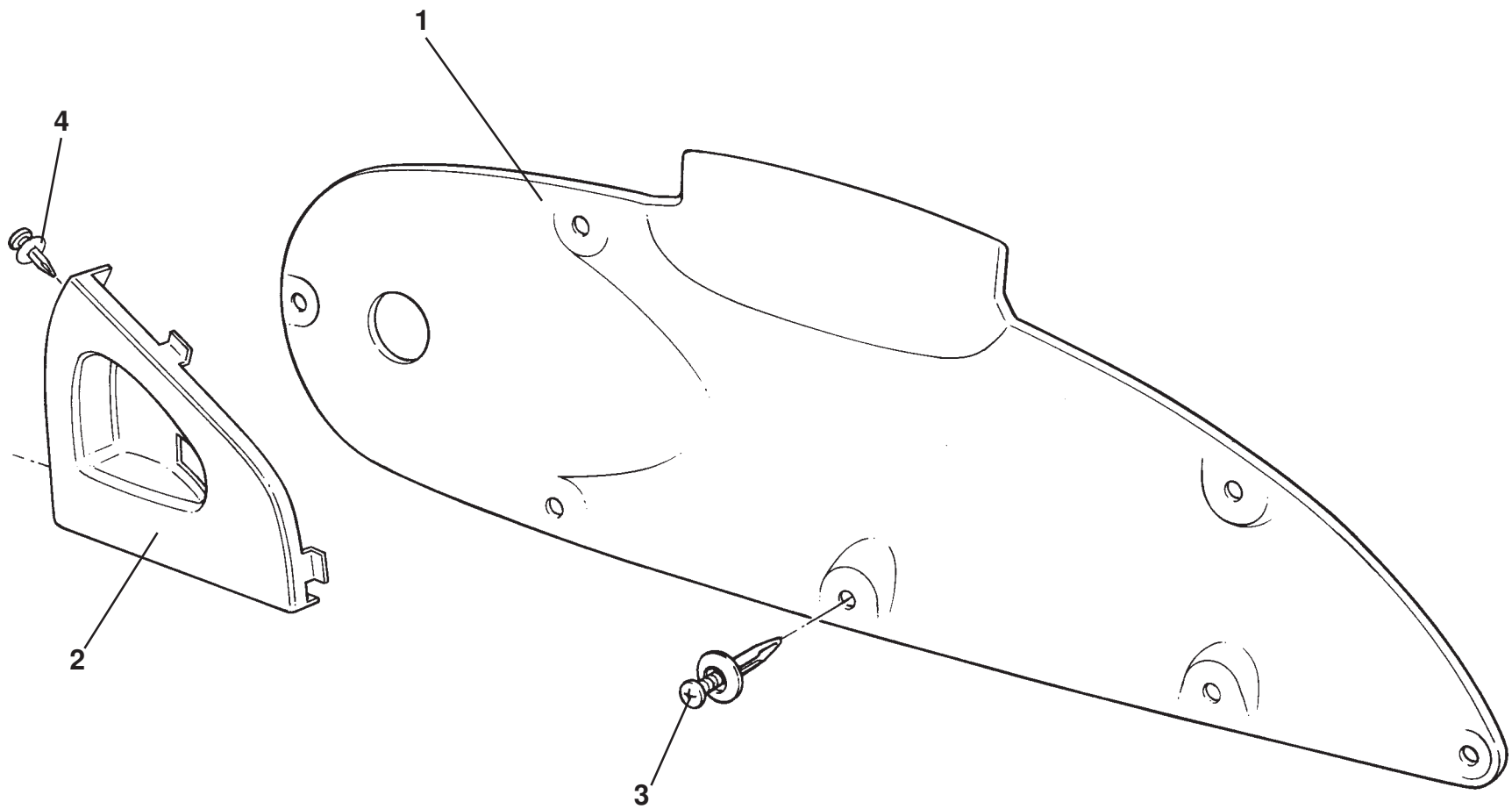


Function Code 15.11 Interior Trim & Stowage Provision

<u>Dep</u>	<u>Part Description</u>	<u>Remarks</u>	<u>Option</u>	<u>Part Number</u>	<u>Qty</u>
01	Bulkhead Trim Panel, RHD		Standard seat belts	A111V0636F	1
01a	Bulkhead Trim Panel, LHD		Standard seat belts	A111V0637F	1
01b	Bulkhead Trim Panel, RHD		4 point harness	A111V0638F	1
01c	Bulkhead Trim Panel, LHD		4 point harness	A111V0639F	1
02	Electrics Access Panel			A111V0640F	1
03	Blanking Panel, speaker aperture			A111V0669F	2
04	Plastic Fastener, panel fixing			A111W6534F	8
05	Sound Proofing Foam, self adhesive, trim panel	Large section of panel		A111V0671F	1
06	Sound Proofing Foam, self adhesive, trim panel	Centre & top corners of panel		A111V0673F	3
07	Sound Proofing Foam, self adhesive, access panel			A111V0672F	1
08	'T' Anchor, stowage net retention/panel fix.			A111V6009F	4
09	Screw, M4 x 30 pan hd. pozi.			A111W5222F	4
10	Stowage Net			A111V6008F	1
11	Stowage Tray, RHD	Driver's side		A111V0100K	1
11a	Stowage Tray, LHD	Driver's side		A111V0101K	1
12	Double Sided Tape, stowage tray fixing			C075U6071V	As req.
13	Pocket, passenger stowage RHD	Side of gear lever cover		A111V0274J	1
13a	Pocket, passenger stowage LHD	Side of gear lever cover		A111V0275J	1

Function Code 15.11 Interior Trim & Stowage Provision

<u>Dep</u>	<u>Part Description</u>	<u>Remarks</u>	<u>Option</u>	<u>Part Number</u>	<u>Qty</u>
14	Velcro, hook & loop, access panel to bulkhead			A082V6058V	320mm



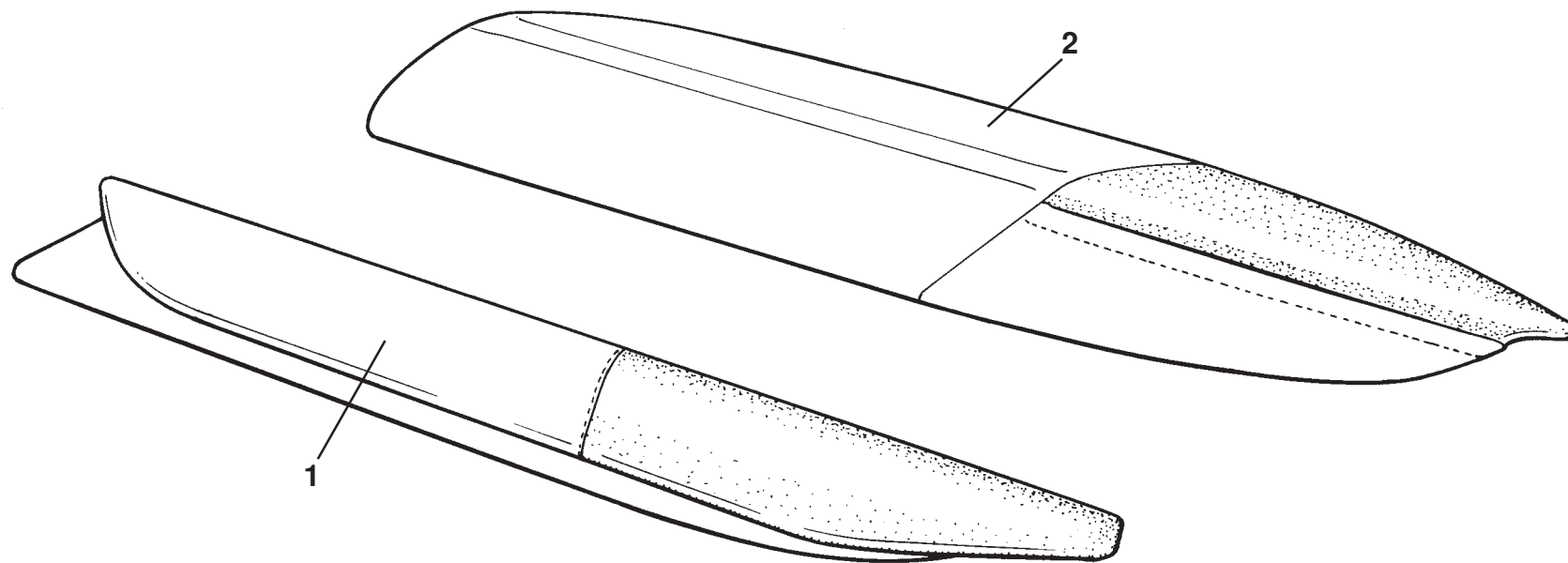
EXIGE
15.13

Service Parts List *EXIGE*



Function Code 15.13 Front Door Trims

<u>Dep</u>	<u>Part Description</u>	<u>Remarks</u>	<u>Option</u>	<u>Part Number</u>	<u>Qty</u>
01	Door Trim, RH		Senotex Finish	A111V0040K	1
01a	Door Trim, LH		Senotex Finish	A111V0041K	1
01b	Door Trim, RH		Silver Alcantara	A111V0592J	1
01c	Door Trim, LH		Silver Alcantara	A111V0591J	1
01d	Door Trim, RH		Blue Alcantara	A111V0594J	1
01e	Door Trim, LH		Blue Alcantara	A111V0593J	1
01f	Door Trim, RH		Green Alcantara	A111V0586J	1
01g	Door Trim, LH		Green Alcantara	A111V0585J	1
01h	Door Trim, RH		Yellow Alcantara	A111V0588J	1
01i	Door Trim, LH		Yellow Alcantara	A111V0587J	1
01j	Door Trim, RH		Red Alcantara	A111V0590J	1
01k	Door Trim, LH		Red Alcantara	A111V0589J	1
01l	Door Trim, RH		Black Alcantara	A111V0596J	1
01m	Door Trim, LH		Black Alcantara	A111V0595J	1
02	Escutcheon, interior release, RH			A111V0044K	1
02a	Escutcheon, interior release, LH			A111V0045K	1
03	Plastic Fastener, door trims			A111W6534F	14
04	Plastic Fastener, escutcheons			A111W6535F	4



EXIGE

15.14

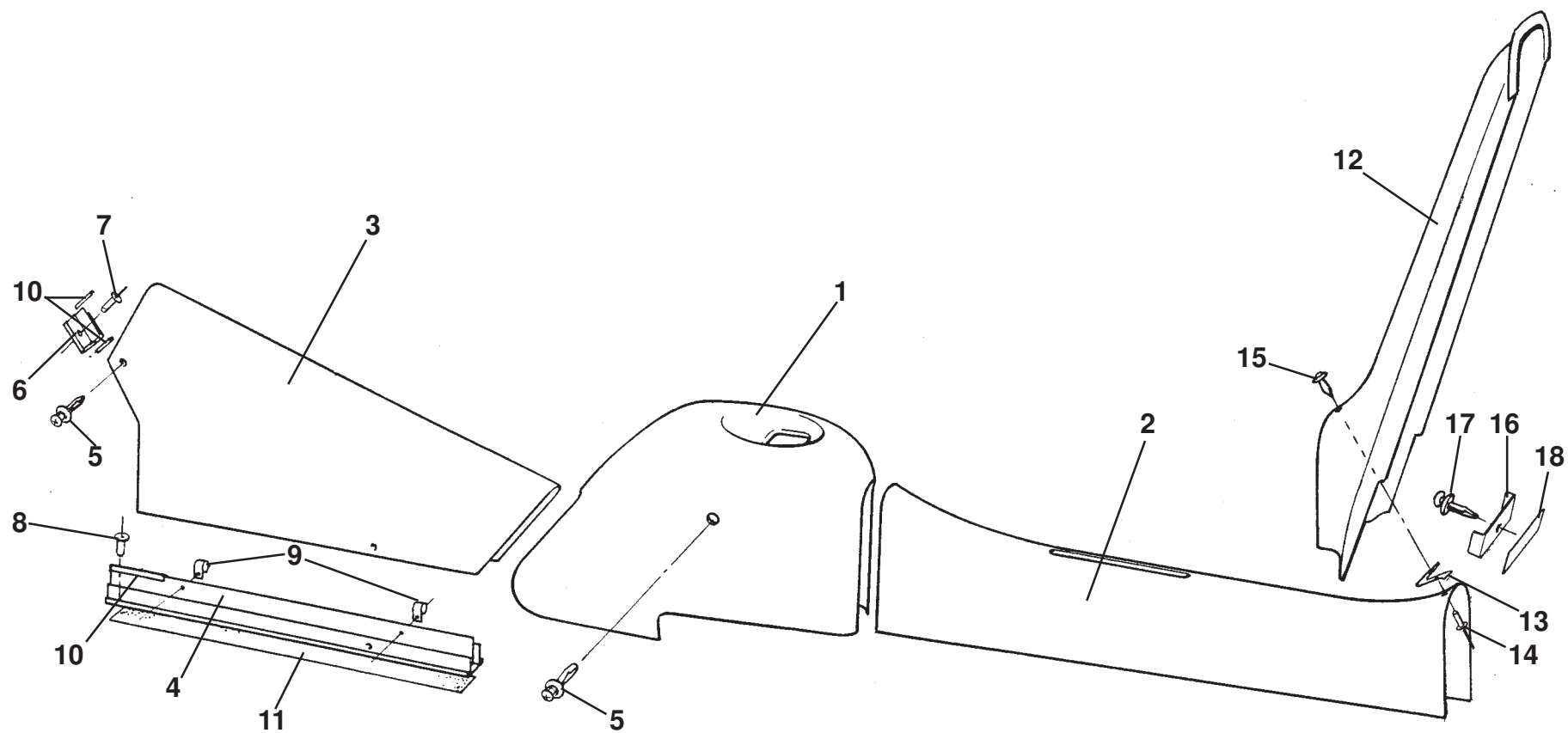
Service Parts List **EXIGE**



Function Code 15.14 Interior Trims

<u>Dep</u>	<u>Part Description</u>	<u>Remarks</u>	<u>Option</u>	<u>Part Number</u>	<u>Qty</u>
01	Trim Pad Assembly, LH		Blue alcantara	A111V0605J	1
01a	Trim Pad Assembly, LH		Red alcantara	A111V0603J	1
01b	Trim Pad Assembly, LH		Black alcantara	A111V0601J	1
01c	Trim Pad Assembly, LH		Silver alcantara	A111V0607J	1
02	Trim Pad Assembly, RH		Blue alcantara	A111V0606J	1
02a	Trim Pad Assembly, RH		Red alcantara	A111V0604J	1
02b	Trim Pad Assembly, RH		Black alcantara	A111V0602J	1
02c	Trim Pad Assembly, RH		Silver alcantara	A111V0608J	1

For leather options see Elise
Parts List



EXIGE

15.19

Service Parts List *EXIGE*

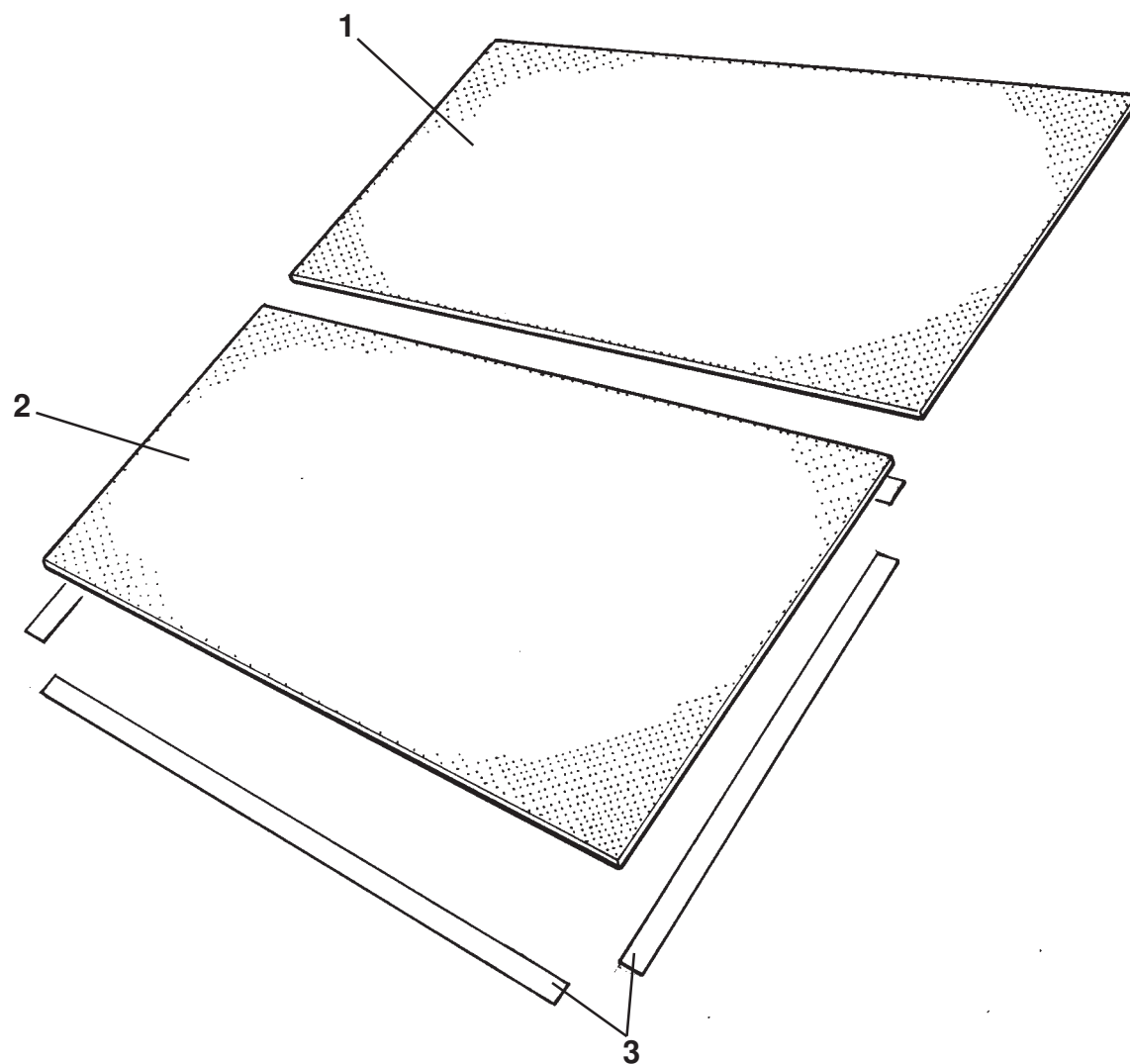


Function Code 15.19 Centre Tunnel Trim, Gear Lever Gaiters/Shrouds

<u>Dep</u>	<u>Part Description</u>	<u>Remarks</u>	<u>Option</u>	<u>Part Number</u>	<u>Qty</u>
01	Cover, gear lever, RHD			A111U0560K	1
01a	Cover, gear lever, LHD			A111U0559K	1
02	Cover, handbrake			A111U0554K	1
03	Cover, tunnel front, RHD	Alloy		B111A0068F	1
03a	Cover, tunnel front, LHD	Alloy		A111A0106F	1
04	Mounting Bracket, front tunnel to floor			C111A0067F	1
05	Plastic Fastener, tunnel fix.			A082W6505F	7
06	Mounting Bracket, front tunnel to toeboard			B111A0069F	1
07	Pop Rivet, 3/16" x 9/16", bracket fix.			A082W6243F	1
08	Blind Rivet, tunnel mount fix.			A111W6613F	4
09	Clip, harness retention			A082W5457F	2
10	Edging Strip, harness protection			B075U6054V	0.16M
11	Tape, double sided, tunnel mount to floor			B075U6070V	0.55M
12	Cover, tunnel rear			A111V0683K	1
13	Bracket, rear cover fixing			B111U0555F	1
14	Pop Rivet, bracket to handbrake cover			A075W6069Z	1
15	Plastic Fastener, rear cover to bracket			A100W6479F	1
16	Bracket, rear cover retention			A111B0808F	1

Function Code 15.19 Centre Tunnel Trim, Gear Lever Gaiters/Shrouds

<u>Dep</u>	<u>Part Description</u>	<u>Remarks</u>	<u>Option</u>	<u>Part Number</u>	<u>Qty</u>
17	Plastic Fastener, bracket to chassis			A111W6534F	1
18	Double Sided Tape, bracket to chassis			A082U6198V	80mm



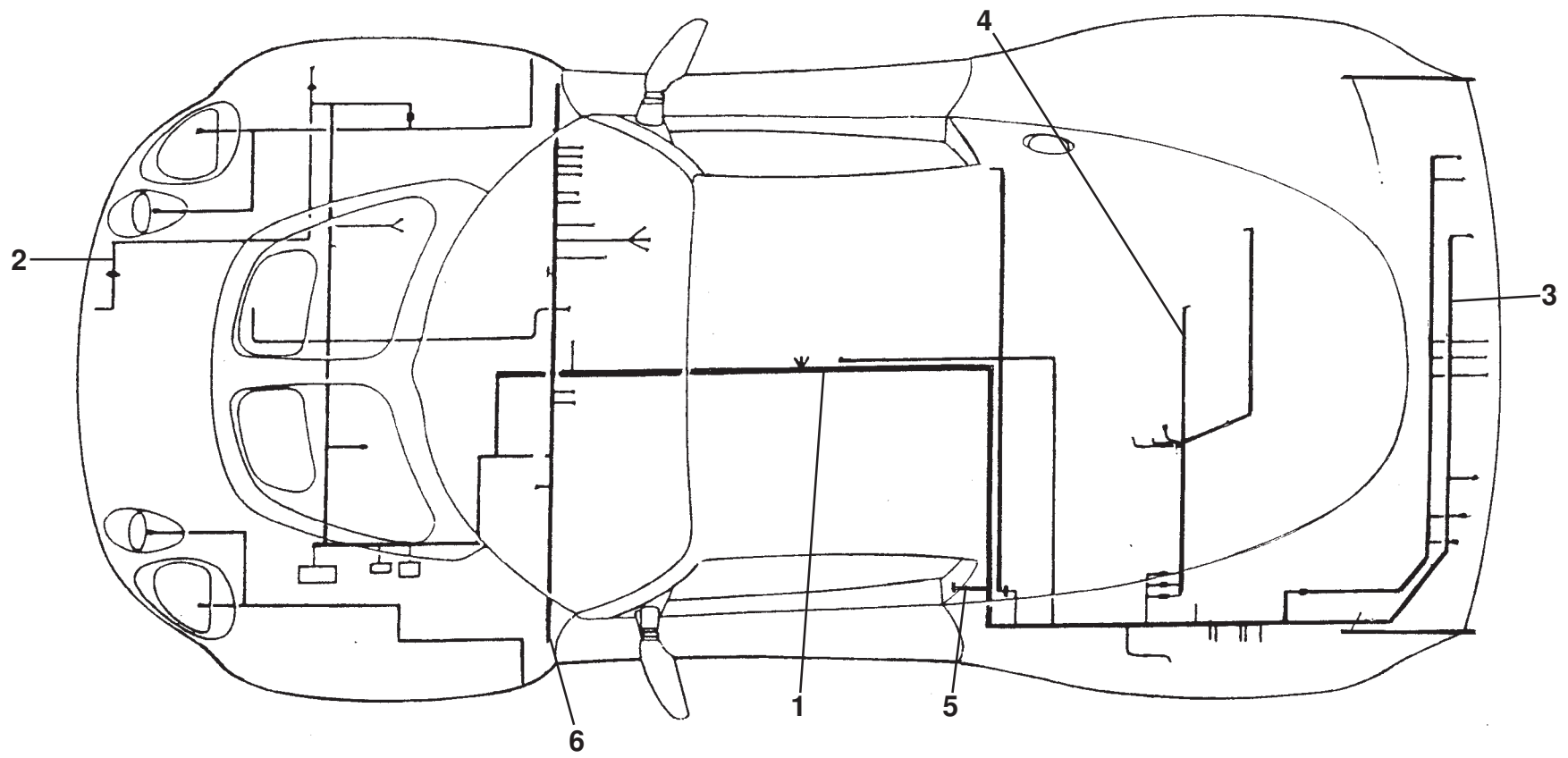
EXIGE
15.30

Service Parts List *EXIGE*



Function Code 15.30 Carpeting & Mats

<u>Dep</u>	<u>Part Description</u>	<u>Remarks</u>	<u>Option</u>	<u>Part Number</u>	<u>Qty</u>
01	Floor Mat, RH, RHD			A111V0046K	1
01a	Floor Mat, RH, LHD			A111V0048K	1
02	Floor Mat, LH, RHD			A111V0047K	1
02a	Floor Mat, LH, LHD			A111V0049K	1
05	Double sided tape. 25mm width			B075U6070V	7.5m



EXIGE

17.01

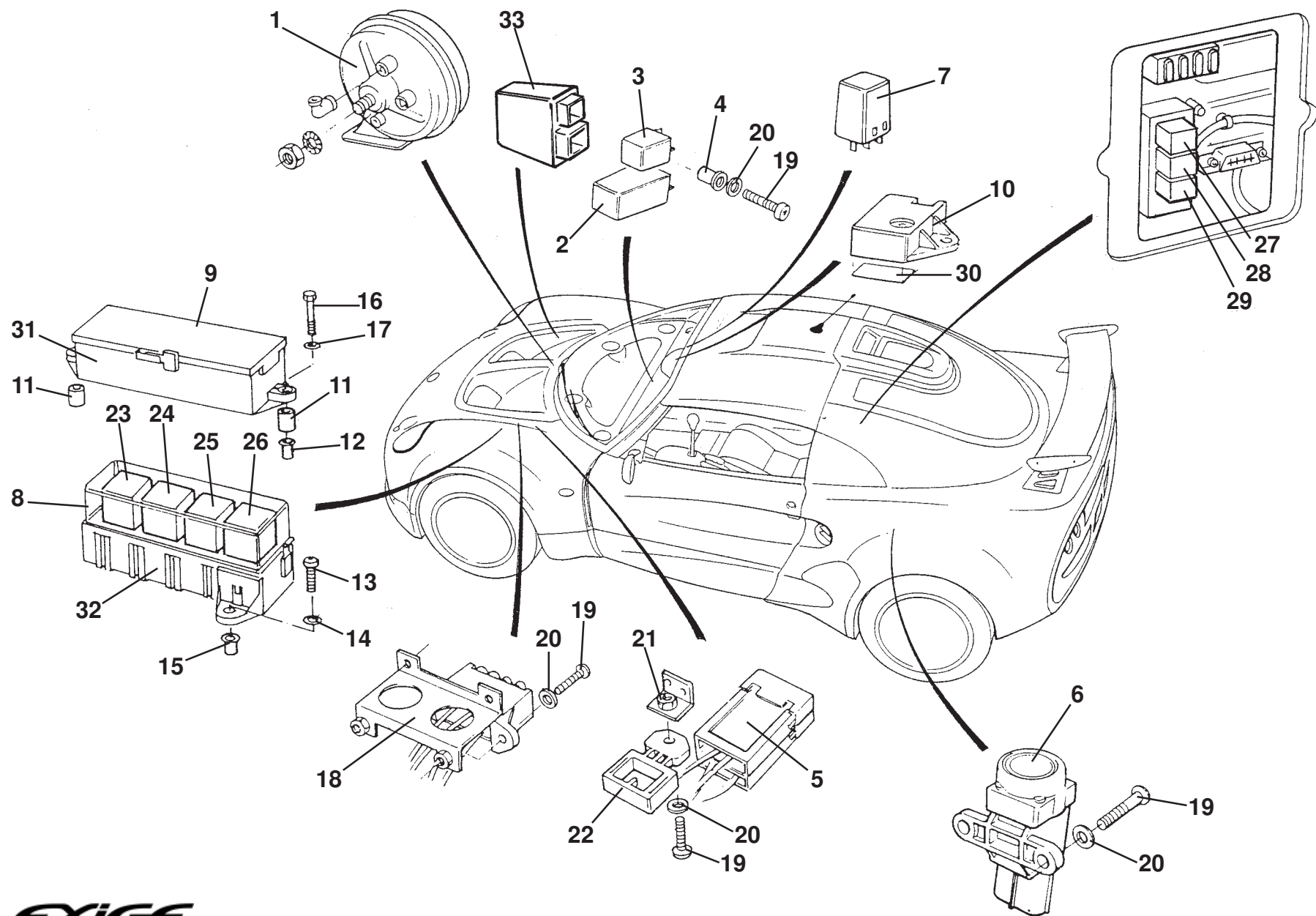
Service Parts List *EXIGE*



Function Code 17.01 Harnesses, Leads

<u>Dep</u>	<u>Part Description</u>	<u>Remarks</u>	<u>Option</u>	<u>Part Number</u>	<u>Qty</u>
01	Harness, main		Heater cars	A111M0142F	1
01a	Harness, main, AC		AC cars	A111M0158F	1
02	Harness, front clamshell			A111M0012F	1
03	Harness, rear clamshell			A111M0144F	1
04	Engine Harness			A340M0002F	1
05	Jumper Harness, main loom to fuel pump			A111M6103S	1
06	Harness, door switch			A111M0042F	2
07	Engine Harness, AC		AC cars	B111M0096F	1

For fixings, see Elise Parts List:
A111T0325J



EXIGE

17.03

Service Parts List *EXIGE*



Function Code 17.03 Horn, Inertia Switch, Modules, Fuses & Relays

<u>Dep</u>	<u>Part Description</u>	<u>Remarks</u>	<u>Option</u>	<u>Part Number</u>	<u>Qty</u>
01	Horn 'Low ' Note			A100M6031F	1
02	Module, wiper delay			A082M6457F	1
03	Module, flasher Unit			A083M6303F	1
04	Pulsert, M5			A111W6539F	2
05	Maxi Fuse, 50A	Lighting, ignition switch		A100M6078F	2
06	Inertia switch			A082M6598F	1
07	Module, rear fog lamp			A111M0067F	1
08	Cover, relay station			A111M6077S	1
09	Cover, fusebox			A111M6115S	1
10	Module, seat belt buzzer		Japan, Australia only	A082M4866F	1
11	Spacer, fitted to fuse box			A111U0368F	2
12	Rawlnut, M5, fuse box to wheelarch			A075W6074F	2
13	Screw, M6 pozi, relay box to wheelarch			A075W5089Z	4
14	Washer flat, M6, relay boxes to wheelarch			A075W4015Z	4
15	Rawlnut, M6, relay boxes to wheelarch			A075W6140F	4
16	Bolt, M5 x 45, fuse box to wheelarch			A082W2106F	2
17	Washer flat, M5, fuse box to wheelarch			A075W4011Z	2
18	Bracket, fuse holder			A111U0168F	1

EXIGE

Function Code: 17.03, Page: 1

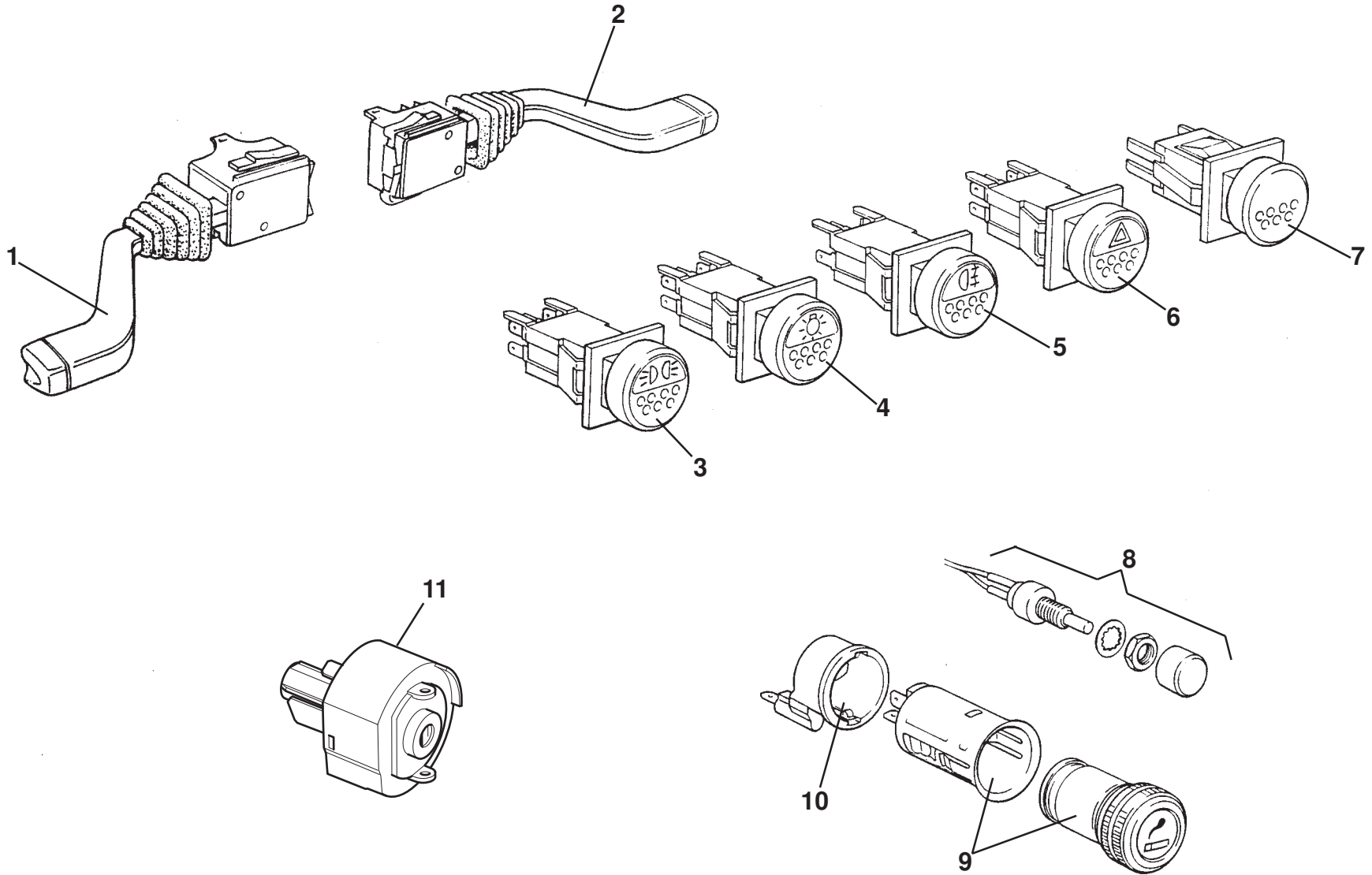
Updated 1st May 2014

Function Code 17.03 Horn, Inertia Switch, Modules, Fuses & Relays

<u>Dep</u>	<u>Part Description</u>	<u>Remarks</u>	<u>Option</u>	<u>Part Number</u>	<u>Qty</u>
19	Screw, M5 x 16, pan hd. pozi.			A082W5107F	7
20	Washer, flat, M5 x 10 x 1.0			A075W4011Z	7
20	Fuse, 5A, orange			A082M6245F	2
21	Bracket, fuse holders			A111U0167F	1
22	Plastic Clip, fuse holder retention			A111M6020F	2
23	Relay Single Contact Changeover 30A	Horn,		C079M6141F	1
24	Relay Single Contact Changeover 30A	Cooling fan		C079M6141F	1
25	Relay Single Contact Changeover 30A	Dip beam		C079M6141F	1
26	Relay Double Contact 2 x 15A	Main beam		B082M6182F	1
27	Relay Single Contact Changeover 30A	Engine management ign. supply		C079M6141F	1
28	Relay Single Contact Changeover 30A	Starter solenoid		C079M6141F	1
29	Relay Single Contact Changeover 30A	Fuel pump, injectors		C079M6141F	1
30	Double Sided Tape, 0.4 x 12mm, module fixing			A100B6142V	0.1M
31	Fusebox Assembly	Incl., fuses, brackets, terminals		Not Available	1
32	Relay Station	Incl., brackets, terminals		Not Available	1
33	Fan Control Module		AC cars	A117M0038F	1
34	Fuse, 3A, violet	See service notes & owners handbook		A082M6243F	4
35	Fuse, 5A, orange	See service notes & owners handbook		A082M6245F	2
36	Fuse, 7.5A, brown	See service notes & owners handbook		A082M6246F	8

Function Code 17.03 Horn, Inertia Switch, Modules, Fuses & Relays

<u>Dep</u>	<u>Part Description</u>	<u>Remarks</u>	<u>Option</u>	<u>Part Number</u>	<u>Qty</u>
37	Fuse, 10A, red	See service notes & owners handbook		A082M6247F	2
38	Fuse, 15A, light blue	See service notes & owners handbook		A082M6248F	2
39	Fuse, 20A, yellow	See service notes & owners handbook		A082M6249F	3
40	Fuse, 25A, clear	See service notes & owners handbook		A082M6250F	2
41	Fuse, 30A, green	See service notes & owners handbook		A082M6251F	1



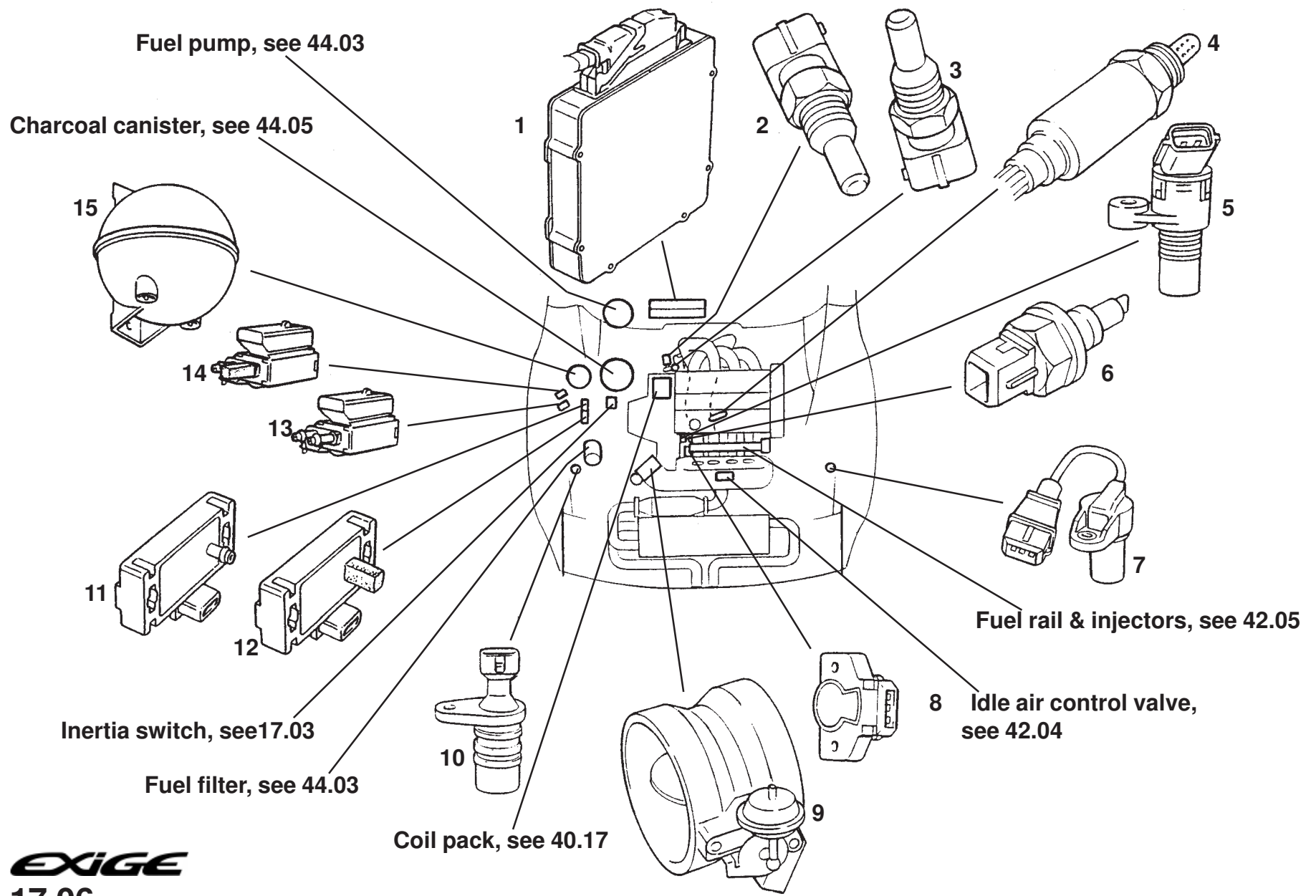
EXIGE
17.05

Service Parts List *EXIGE*



Function Code 17.05 Interior Switches, Auxiliary Power Socket

<u>Dep</u>	<u>Part Description</u>	<u>Remarks</u>	<u>Option</u>	<u>Part Number</u>	<u>Qty</u>
01	Column Switch, LH, indicators/dip/flash			A100M6048F	1
02	Column Switch, RH, windscreen wipe/wash			A100M6049F	1
03	Switch, sidelamps			A111M0001F	1
04	Switch, master lighting			A111M0002F	1
05	Switch, rear fog			A111M6015F	1
06	Switch, hazard			A111M6016F	1
07	Switch, blank			A111M6000F	1
08	Switch, panel light dimmer/trip reset			A111M6060S	1
09	Cigar Lighter			B100M6041F	1
10	Bezel, cigar lighter			B100M6052F	1
11	Ignition Switch	Part of upper steering column		A111M6108S	1



EXIGE

17.06

Service Parts List *EXIGE*

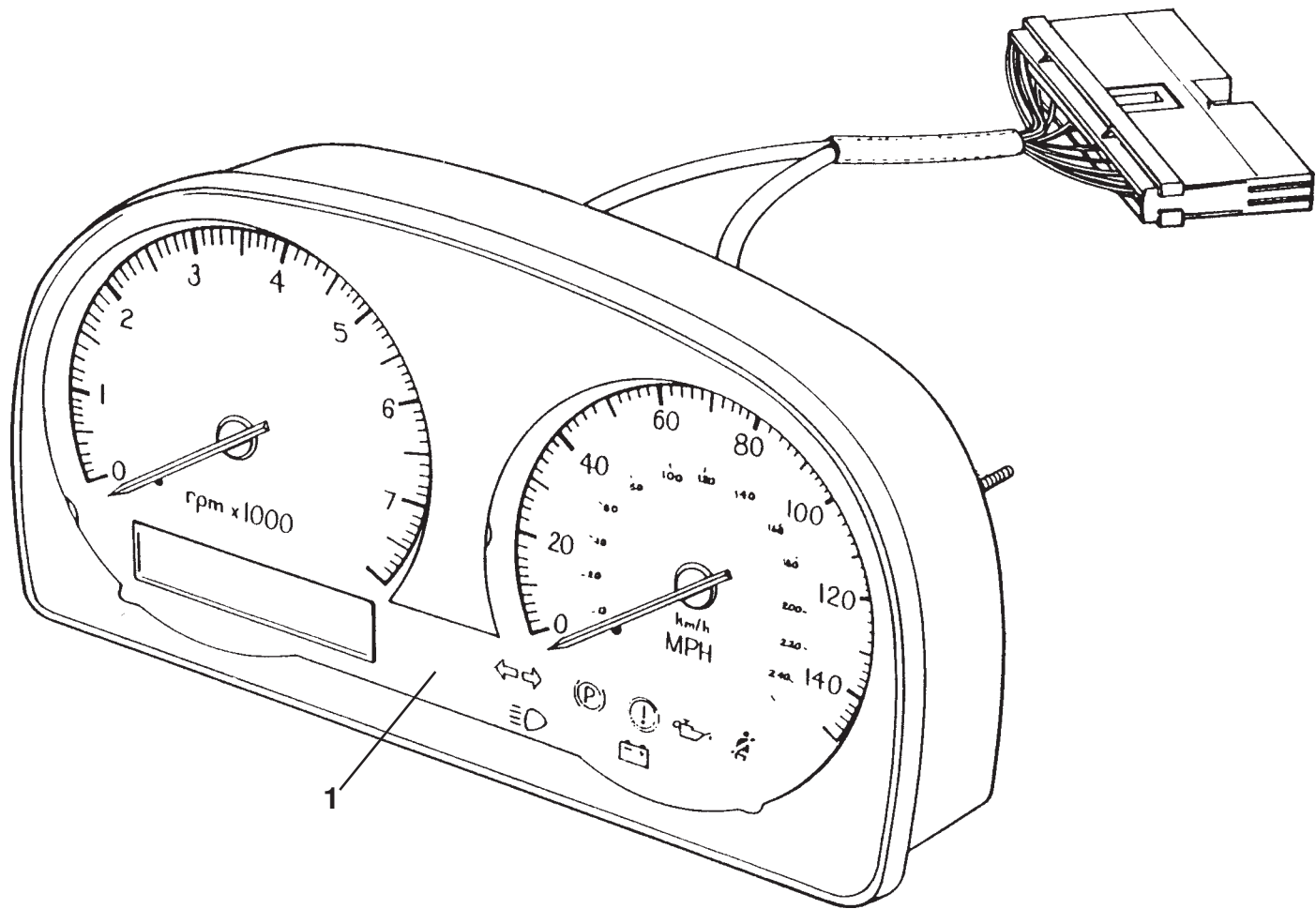


Function Code 17.06 Engine Management & Sensors

<u>Dep</u>	<u>Part Description</u>	<u>Remarks</u>	<u>Option</u>	<u>Part Number</u>	<u>Qty</u>
01	Electronic Control Module (ECM)		Standard	A111M0156K	1
01a	Electronic Control Module (ECM), 190	Part of 190 conversion kit	Track only	LOTAC05223	1
02	Engine Coolant Temperature Sensor (horizontal)	Brown housing		A111E6046S	1
03	Water Temperature Gauge Sensor (vertical)	Black housing (now pale blue)		A111E6047S	1
04	Oxygen Sensor (O2 sensor)			A111E6059S	1
05	Crankshaft Position Sensor			A111E6063S	1
06	Intake Air Temperature Sensor	Green housing		A111E6061S	1
07	Vehicle Speed Sensor, ECM			A918E6010F	1
08	Throttle Position Sensor			A111E6064S	1
09	Resonator Valve			A340E6007F	1
10	Vehicle Speed Sensor, speedometer			A918E6080F	1
11	Manifold Air Pressure (MAP) Sensor			A910E6934F	1
12	Barometric Pressure (BARO) Sensor			A918E6081F	1
13	Solenoid Valve, vacuum locking			A082M6420F	1
14	Solenoid Valve, vacuum charging			A082M6421F	1
15	Vacuum Reservoir			A100P6018F	1
16	Bracket, reservoir/sensors mounting	Not illustrated, on roll over bar LH stay		A111E0055F	1
17	Hose Clip, bracket to stay	Not illustrated		B907E6085Z	2

Function Code 17.06 Engine Management & Sensors

<u>Dep</u>	<u>Part Description</u>	<u>Remarks</u>	<u>Option</u>	<u>Part Number</u>	<u>Qty</u>
18	Nyloc Nut, M5, reservoir to bracket	Not illustrated		A100W3113F	2
19	Washer, flat, M5 x 10 x 0.8, reservoir to bracket	Not illustrated		A075W4011Z	2
20	Nyloc Nut, M6, sensors to bracket	Not illustrated		A907E6285F	4
21	Washer, flat, M6 x 12.5 x 1.6, sensors to bracket	Not illustrated		A075W4013Z	4
22	Hose, vacuum system	Not illustrated		A910E6786V	2.45M



EXIGE

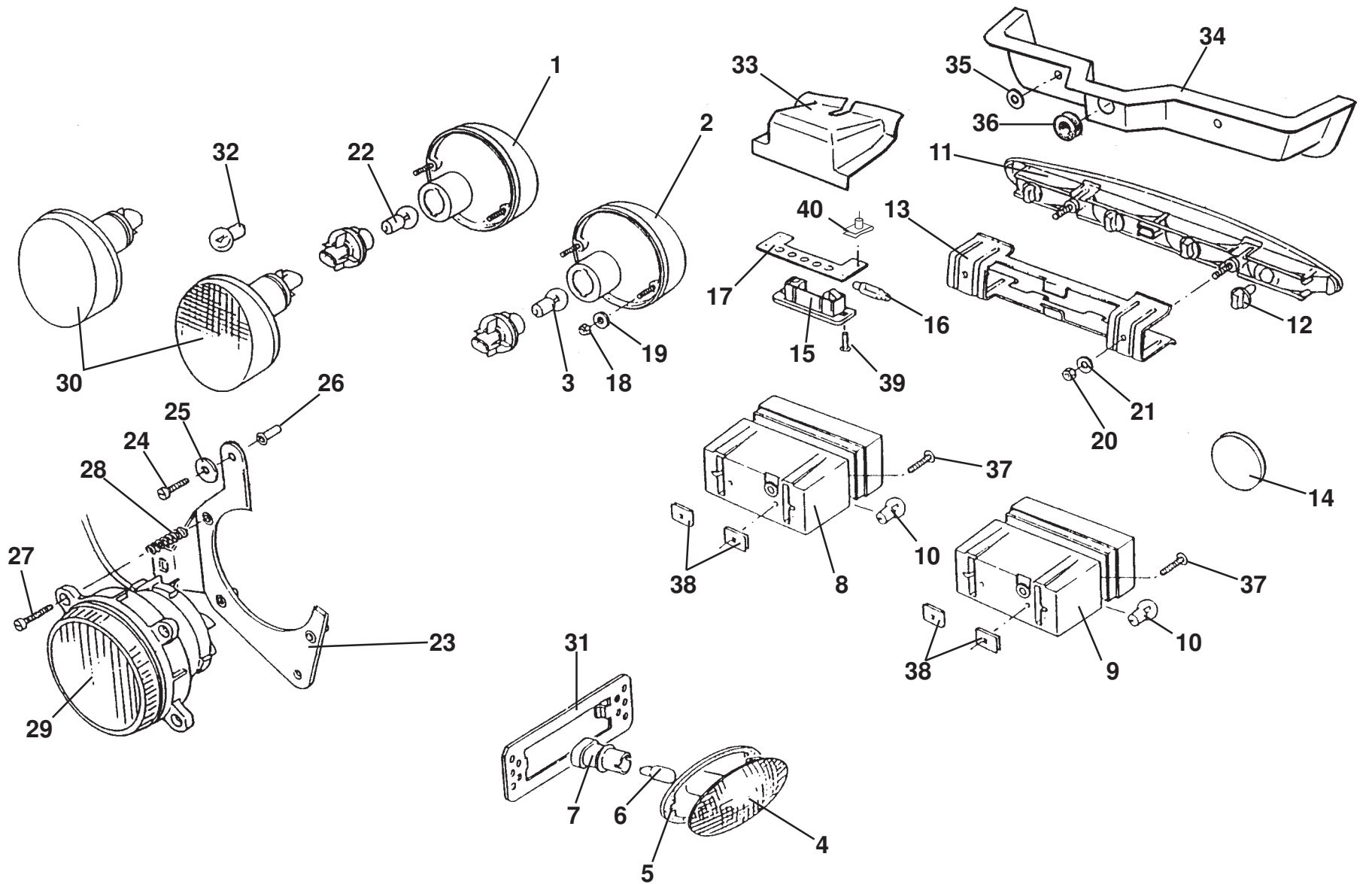
17.07

Service Parts List *EXIGE*



Function Code 17.07 Instruments, Tell Tales, & Displays

<u>Dep</u>	<u>Part Description</u>	<u>Remarks</u>	<u>Option</u>	<u>Part Number</u>	<u>Qty</u>
01	Instrument Pack, MPH			A111N0005F	1
02	Instrument Pack, Km/h			A111N0006F	1



EXIGE

17.11

Updated 24th January 2013

Service Parts List **EXIGE**



Function Code 17.11 Exterior Lamps, Except Headlamps

<u>Dep</u>	<u>Part Description</u>	<u>Remarks</u>	<u>Option</u>	<u>Part Number</u>	<u>Qty</u>
01	Lamp, indicator rear, amber lens			A111M0010F	2
02	Lamp, stop/tail			A111M0009F	2
03	Bulb 12v 5/21w, stop/tail lamps			A036M6331F	2
04	Lens, side repeater			A111M6048F	2
05	Gasket, side repeater			A111U0074F	2
06	Bulb 12v 5w, side repeater			A082M6342F	2
07	Bulb Holder, side repeater			A111M6009F	2
08	Lamp, rear fog (high intensity)			A111M6004F	1
09	Lamp, reverse		Malaysia spec. is two lamps	A111M6003F	1
10	Bulb, 12v 21w, fog/reverse lamp			A111M6012F	2
11	Lamp, CHMSL			A111M6006F	1
12	Bulb 12v 5w, CHMSL			A082M6342F	4
13	Bracket, CMHSL mounting	R/B by retaining cover, item 34		A111M6034F	1
14	Reflector			A111M6005F	2
15	Lamp, number plate			A111M6002F	2
16	Bulb 12v 5w, license plate lamp			A083M6292F	2
17	Mounting Plate, number plate lamp	Bonded to clamshell		A111M0048F	2
18	Nyloc Nut, M4, lamp fix.			A075W3019F	12

EXIGE

Function Code: 17.11, Page: 1

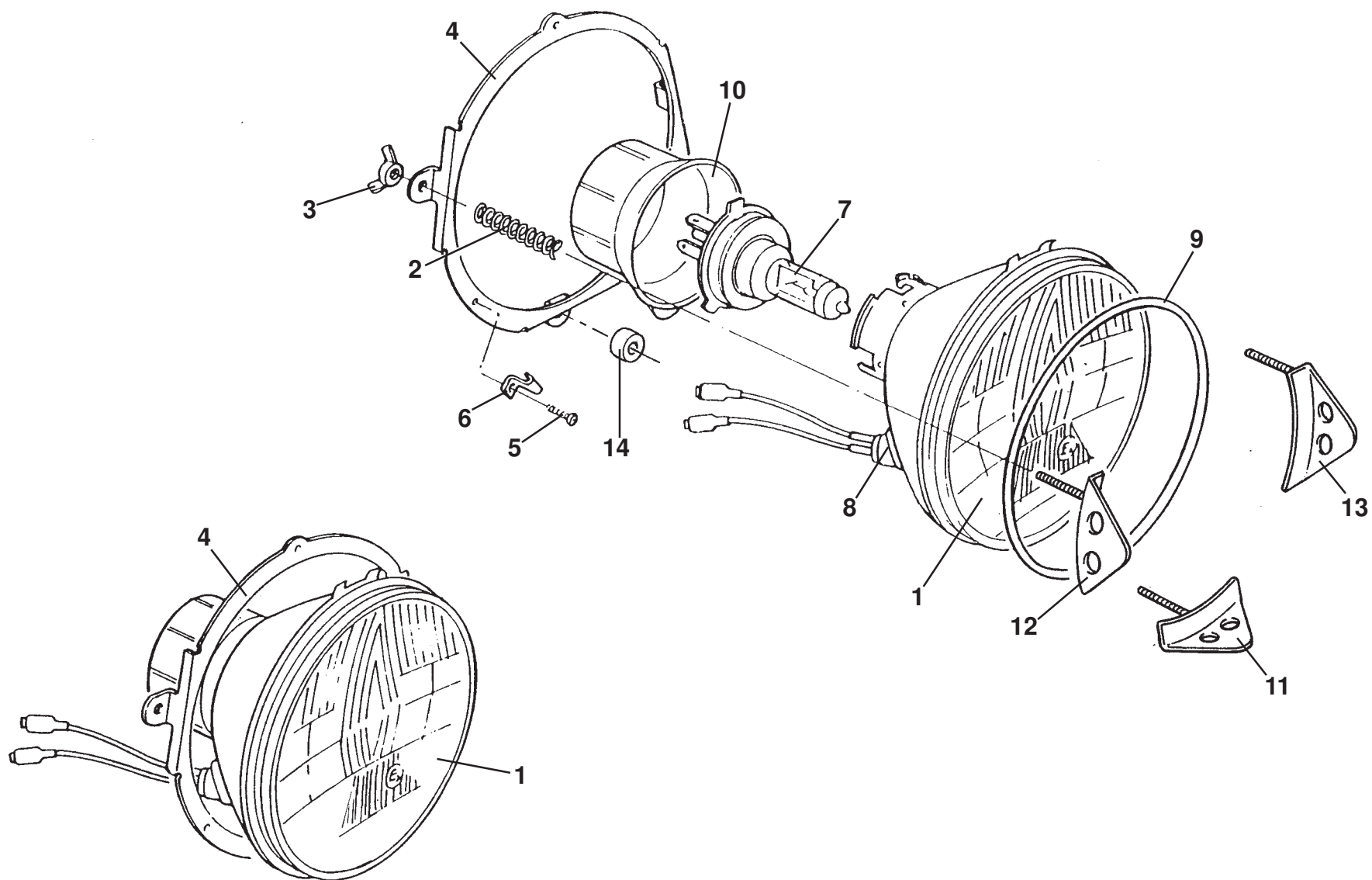
Updated 24th January 2013

Function Code 17.11 Exterior Lamps, Except Headlamps

<u>Dep</u>	<u>Part Description</u>	<u>Remarks</u>	<u>Option</u>	<u>Part Number</u>	<u>Qty</u>
19	Washer, flat, M4			A082W4099F	12
20	Nyloc Nut, M8, CMHSL mount			A075W3010Z	2
21	Washer, flat, M8			A075W4020Z	2
22	Bulb 12v 21w, clear, indicators rear			A036M6329F	4
23	Plate, driving lamp mounting, LH		B111B0051F R/B	C111B0051F	1
23a	Plate, driving lamp mounting, RH		B111B0050F R/B	C111B0050F	1
24	Screw, M8 x 25, cheese hd., plate to intake			A082W6530F	4
25	Washer, flat, M8 x 25 1.4			A075W4021Z	4
26	Rivnut, M8, plate to intake			A075W6155F	4
27	Screw, M8 x 40, cheese hd., driving lamp to plate			A082W6531F	6
28	Spring, driving lamp mounting			A111B6004F	6
29	Driving Lamp			A111M6008F	2
30	Lamp, indicator front, smoke lens			A111M0121F	2
31	Mounting Bracket, side repeater	Bonded to clamshell		A111U0073F	2
32	Bulb 12v 21w, amber, indicators front			A111M6091S	2
33	Cover, license plate lamp, RH	Bonded to clamshell		A111U0564F	1
33a	Cover, license plate lamp, LH	Bonded to clamshell		A111U0563F	1
34	Retaining Cover, CHMSL	Bonded to clamshell, replaces bracket, item 13		A111U0582F	1
35	Washer, flat, M 6 x 18, black			B082W4018F	2
36	Grommet, harness though cover			A075W2058Z	1

Function Code 17.11 Exterior Lamps, Except Headlamps

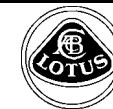
<u>Dep</u>	<u>Part Description</u>	<u>Remarks</u>	<u>Option</u>	<u>Part Number</u>	<u>Qty</u>
37	Screw, M4 x 12, pan hd., lamp fix.			A100W5143F	4
38	Spire Nut, M4			A100W6449F	4
39	Screw No. 6 x 3/4 flg pozi, license plate lamp			A082W5022F	4
40	Spire Nut No.6			A075W6014Z	4



EXIGE

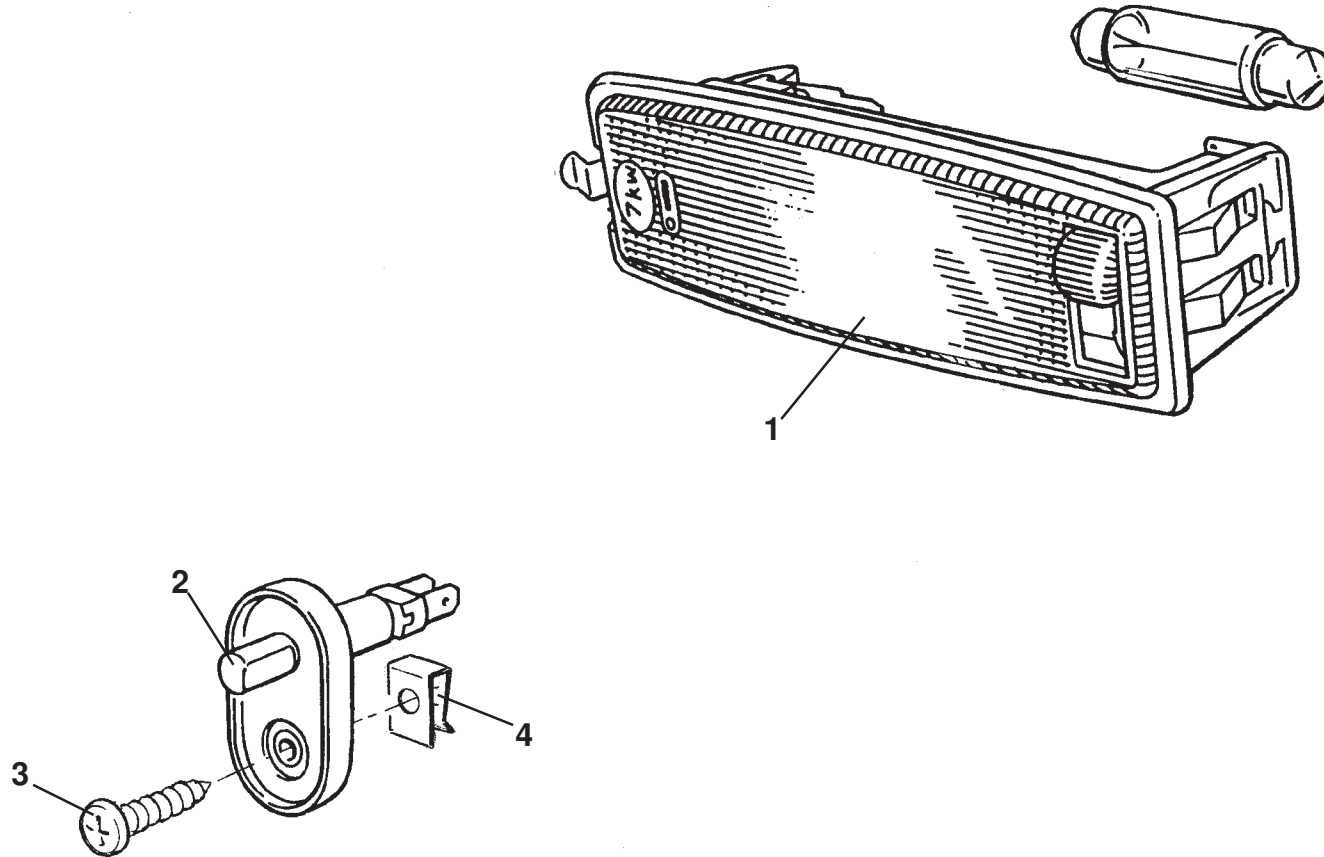
17.13

Service Parts List *EXIGE*



Function Code 17.13 Headlamps

<u>Dep</u>	<u>Part Description</u>	<u>Remarks</u>	<u>Option</u>	<u>Part Number</u>	<u>Qty</u>
01	Headlamp, RHD			A085M6215F	2
01a	Headlamp, LHD			A082M6320F	2
02	Spring, plate to studs			A111B6005F	6
03	Nylon Wingnut, M5			A111W3146F	6
04	Plate, headlamp adjustment			A111B0486F	2
05	Screw, clip to plate			A075W5011Z	6
06	Clip, headlamp retainer			A111B0054F	6
07	Bulb, headlamp 12v 55/60w			A075M6126Z	2
08	Bulb, sidelamp 12v 5w			A111M6010F	2
09	Seal, headlamp			A111U0166K	2
10	Rubber Cover, headlamp connections			A111M6036F	2
11	Bracket, headlamp mounting, lower	Bonded to clamshell		A111B0468F	2
12	Bracket, headlamp mounting, RH	Bonded to clamshell		A111B0478F	2
13	Bracket, headlamp mounting, LH	Bonded to clamshell		A111B0479F	2
14	Spacer, nylon	Lower fixing only		A111U6035F	As req.



EXIGE

17.17

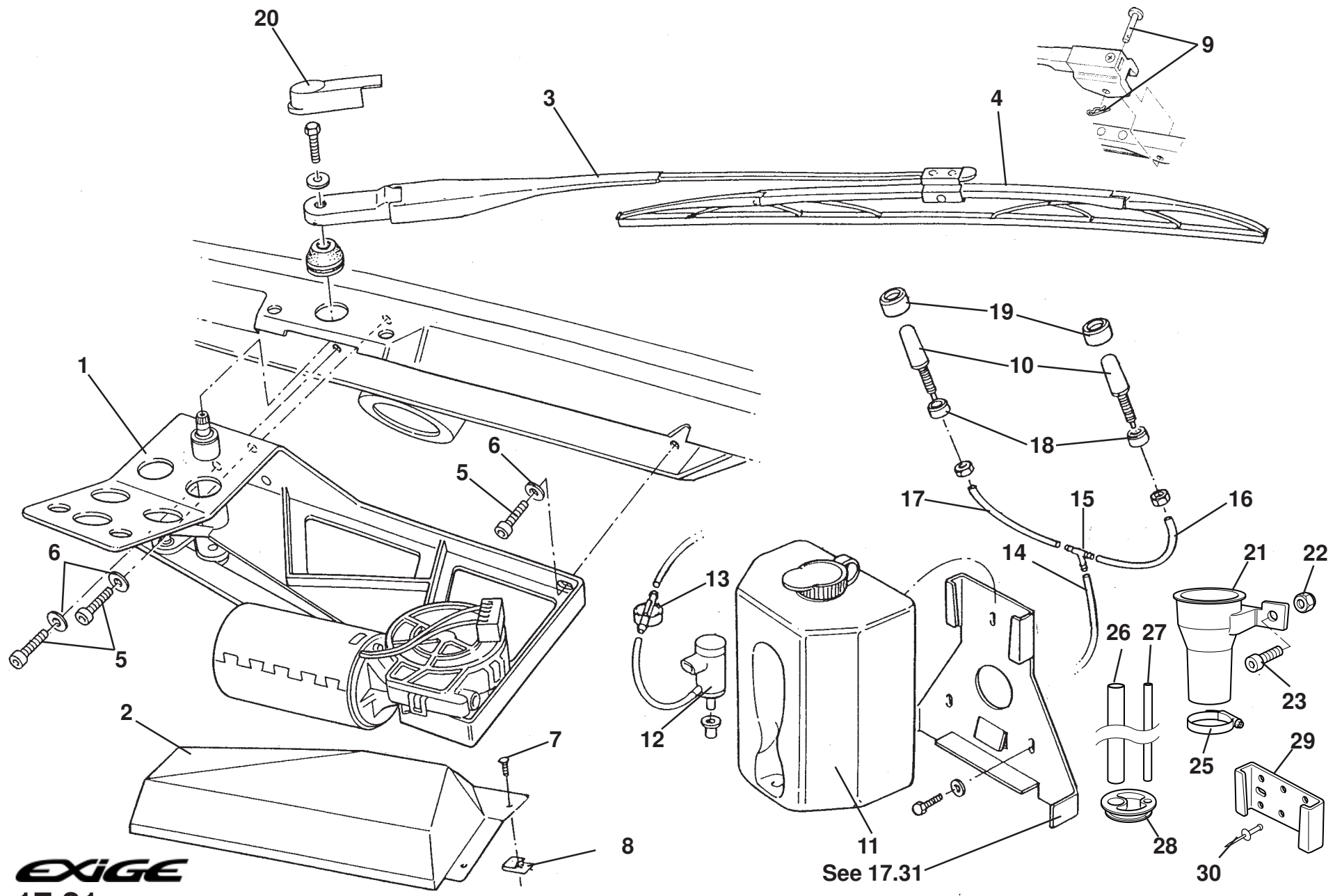
Updated 27th September 2012

Service Parts List **EXIGE**



Function Code 17.17 Interior Lamps

<u>Dep</u>	<u>Part Description</u>	<u>Remarks</u>	<u>Option</u>	<u>Part Number</u>	<u>Qty</u>
01	Interior Lamp			A111M6019F	1
02	Switch, interior lamp, door activated	Passenger side for intrusion alarm, see 17.33	Driver's side	A111M6035F	1
03	Screw No.6 x 3/4 flange hd., pozi., switch fix.			A075W5028Z	1
04	Spire Nut, No.6			A111W6588F	1



EXIGE
17.21

Updated 24th January 2013

Service Parts List **EXIGE**



Function Code 17.21 Windscreen Wiper Motor, Wipers & Washers

<u>Dep</u>	<u>Part Description</u>	<u>Remarks</u>	<u>Option</u>	<u>Part Number</u>	<u>Qty</u>
01	Wiper Drive Assembly, RHD	If unavalible order 01b		C111M0034F	1
01a	Wiper Drive Assembly, LHD	If unavalible order 01c		B111M0033F	1
01b	Wiper Drive Assembly and fitting kit, RHD	Kit to replace wiper drive with fabricated bracket		A117M0104F	1
01c	Wiper Drive Assembly and fitting kit, LHD	Kit to replace wiper drive with fabricated bracket		A117M0103F	1
02	Cover, wiper motor, RHD			A111U0172K	1
02a	Cover, wiper motor, LHD			A111U0173K	1
03	Wiper Arm Assembly			C111M0049F	1
04	Wiper Blade Assembly, 24"			A111M6125F	1
05	Screw, M8 x 20, cap hd., bracket to scuttle			A111W7141F	3
06	Washer, M8, spring S/C light			A075W4036Z	3
07	Screw, No.10 x 1/2", pozi., cover fix.			A075W5040Z	2
08	Spire Nut No. 8, cover, wiper motor fix.			A075W6016Z	2
09	Pin and Clip Set, wiper blade to arm			A111M6107S	1
10	Windscreen Washer Jet			A082M6369F	2
11	Washer Bottle and Pump Assembly			A111M6029F	1
12	Washer Pump			A111M6047S	1
13	Non Return Valve, washer fluid			A100M6062H	1

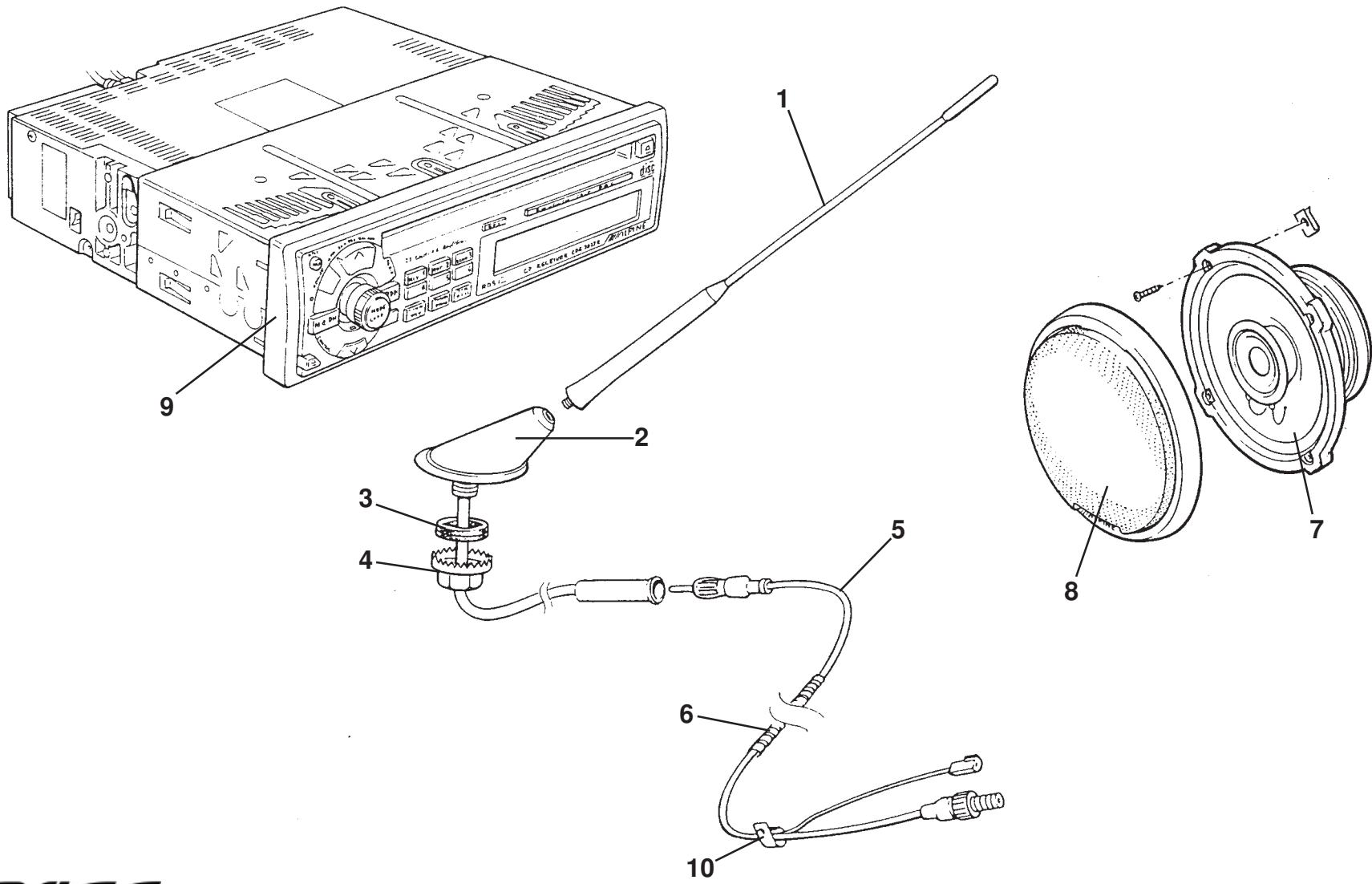
EXIGE

Function Code: 17.21, Page: 1

Updated 24th January 2013

Function Code 17.21 Windscreen Wiper Motor, Wipers & Washers

<u>Dep</u>	<u>Part Description</u>	<u>Remarks</u>	<u>Option</u>	<u>Part Number</u>	<u>Qty</u>
14	Hose, bottle to 'T' piece			B111M0054K	1
15	'T' piece, washers			A111M6045K	1
16	Tube, 'T' piece to jet			B111M0056K	1
17	Tube, 'T' piece to jet			B111M0055K	1
18	Spacer, washer jet			A111M6046K	2
19	Sleeve, washer jet	Bonded over Jet & Spacer		A111M0065F	1
20	Pivot Cover, wiper arm			A082M6380F	1
21	Filler Neck, remote washer bottle		AC cars	A111M6073F	1
22	Screw, M6 x 20, cap hd., S/S, black, neck fix.		AC cars	A100W7096F	1
23	Nyloc Nut, M6, neck fix.		AC cars	A075W3009Z	1
24	Elbow, neck to hoses	Not illustrated	AC cars	A111M0086F	1
25	Hose Clip, elbow to neck		AC cars	A075M6145F	1
26	Hose, filler, 0.5" I/D, polyurethane	Cut to fit	AC cars	A075U6083V	As req.
27	Hose, breather, 5mm I/D, 2mm wall	Cut to fit	AC cars	A082L6222V	As req.
28	Grommet, bottle neck		AC cars	A111M0085F	1
29	Bracket, bottle to crash structure		AC cars	A075M6069Z	1
30	Pop Rivet, bracket to crash structure		AC cars	A075W6087Z	2



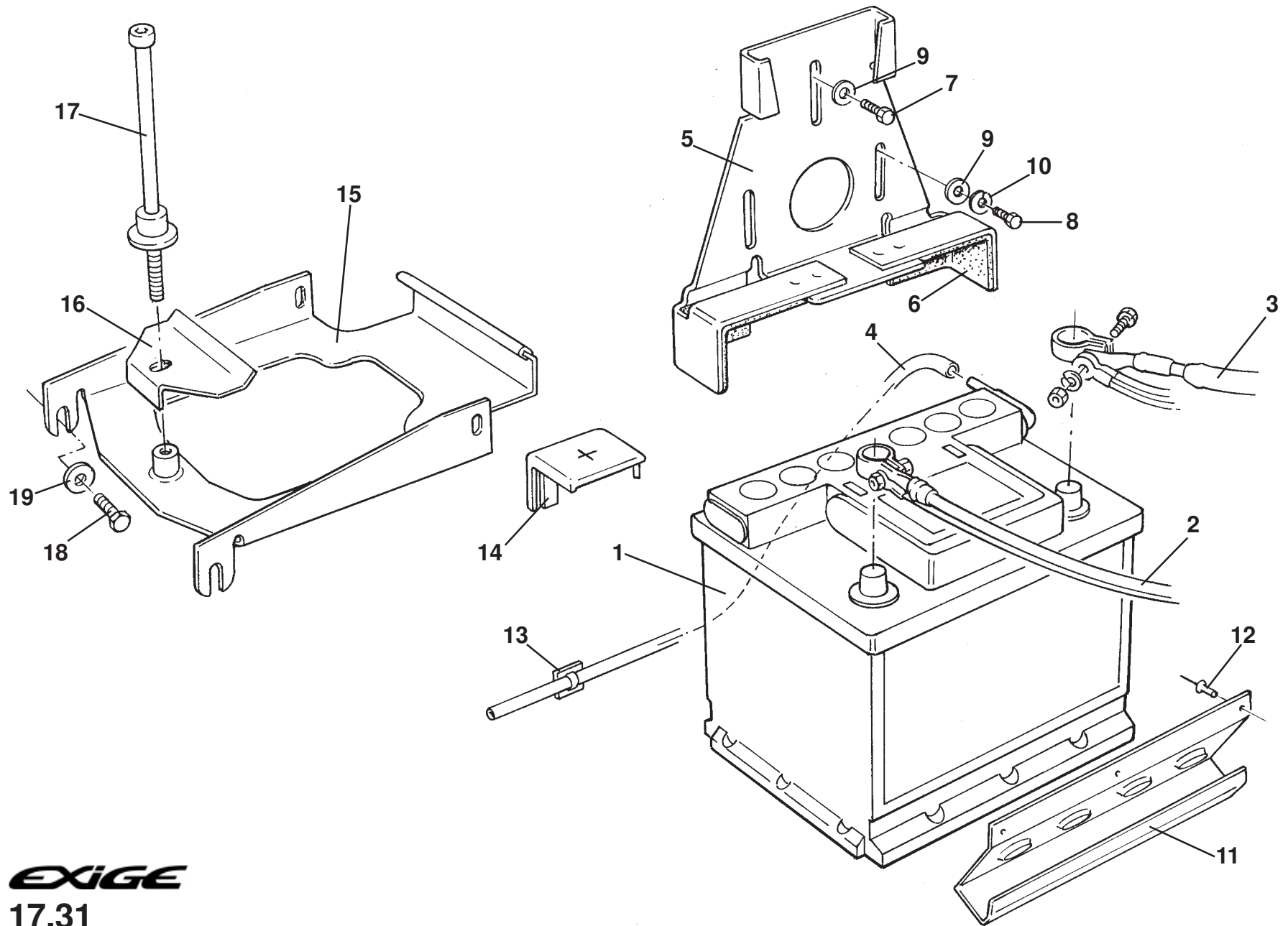
EXIGE
17.27

Service Parts List **EXIGE**



Function Code 17.27 In Car Entertainment

<u>Dep</u>	<u>Part Description</u>	<u>Remarks</u>	<u>Option</u>	<u>Part Number</u>	<u>Qty</u>
01	Aerial Mast			A082M6533F	1
02	Aerial Base			A082M6534F	1
03	Rubber Washer, mounting nut			A111M6033F	1
04	Nut, aerial base to roof			A082M6555F	1
05	Cable, aerial co-axial extension			B111M0024F	1
06	Tube, convolute, cable protecting			A111M6124V	1M
07	Speaker, Alpine SPS 1026			B082M6640F	2
08	Grille, speaker			B089M6080F	2
09	Radio/CD Player		Accessory only	A082M6631F	1
09a	Radio/Cassette		Accessory only	A082M6627F	1
10	'P' Clip, cable to roof			A075W6004Z	5
11	Screw, No.8 x 3/8", pan hd, pozi. 'P' clip fix.	Not illustrated		A075W5031Z	5
12	Aluminium Foil, aerial earthing	Not illustrated		A065M6008V	1



EXIGE

17.31

Service Parts List **EXIGE**

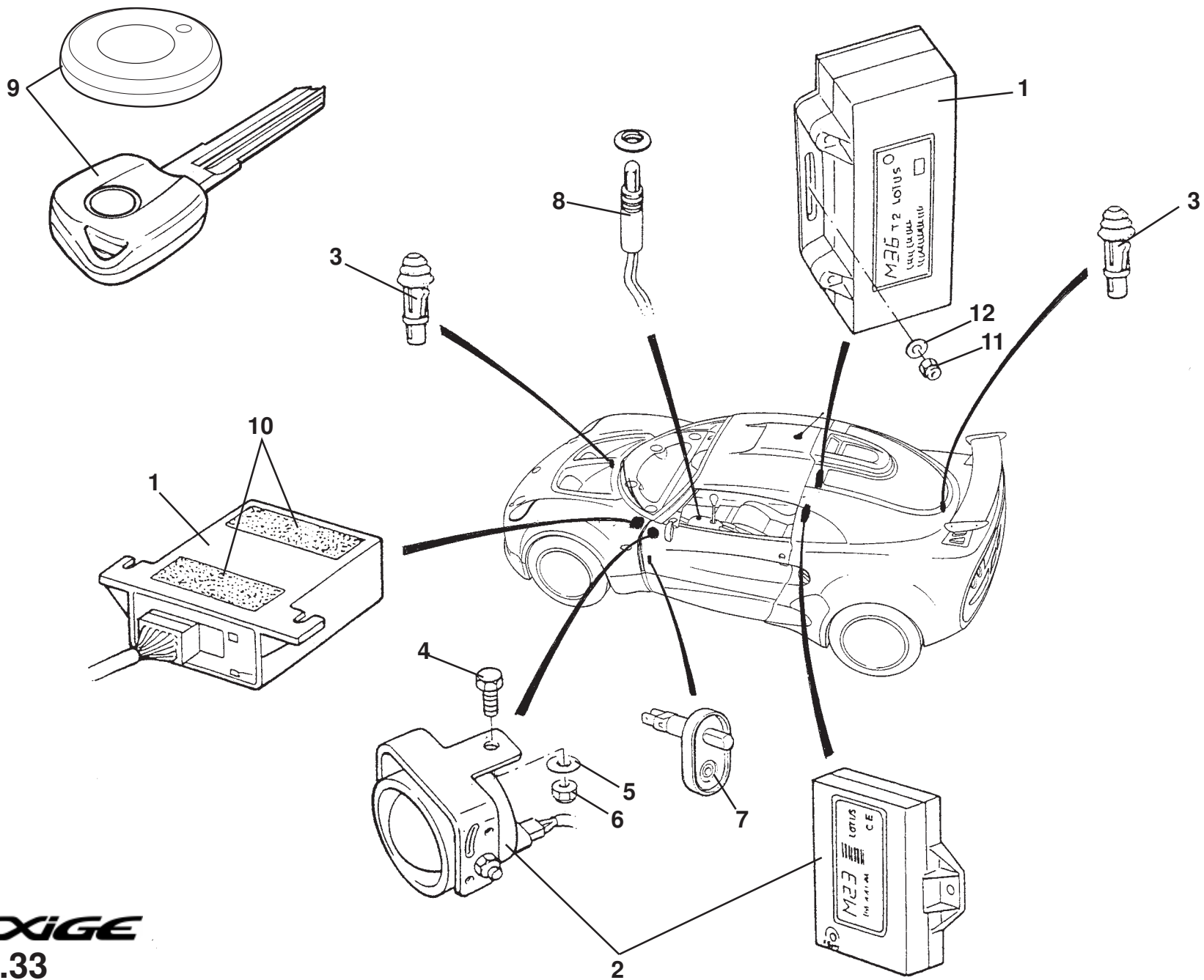


Function Code 17.31 Battery, Clamps, & Cables

<u>Dep</u>	<u>Part Description</u>	<u>Remarks</u>	<u>Option</u>	<u>Part Number</u>	<u>Qty</u>
01	Standard Battery, Tungstone 063, RHD			B111M6007F	1
01a	Standard Battery, Tungstone 063, LHD			A111M6120F	1
02	Battery Cable, VE negative, front RHD			A111M0019F	1
02a	Battery Cable, VE, negative, front LHD			A111M0015F	1
02b	Battery Cable, VE, negative, front RHD		AC cars	A111M0089F	1
03	Battery Cable, VE positive			A111M0146F	1
04	Vent, battery fumes			A111M0104K	1
05	Battery Clamp/ Washer Bottle Bracket			E111M0025F	1
06	Foam Seal, self adhesive, battery clamp			A082U6067F	400mm
07	Setscrew, M6 x 16, hex. hd. thin, clamp upper fix.			A075W1082Z	1
08	Setscrew, M6 x 16, hex. hd., battery clamp to chassis			A075W1028Z	2
09	Washer, flat M6 x 18 , battery clamp to chassis			B082W4018F	3
10	Washer, spring, M6, battery clamp to chassis			A075W4035Z	2
11	Locating Bracket			A111M0032F	1
12	Pop Rivet, bracket to chassis			A075W6087Z	3
13	Clip, self adhesive, pipe securing			A111M6079F	1
14	Protective Cover, positive terminal			A111M6079F	1
15	Battery Tray	Also retains evaporator assembly	AC cars	A111M0155F	1

Function Code 17.31 Battery, Clamps, & Cables

<u>Dep</u>	<u>Part Description</u>	<u>Remarks</u>	<u>Option</u>	<u>Part Number</u>	<u>Qty</u>
16	Battery Clamp Plate		AC cars	A111M0161F	1
17	Clamp Bolt, M8 x 100, cap hd, battery to tray.		AC cars	A111M6132F	1
18	Clamp Bolt Shoulder		AC cars	B111M0095F	1
19	Setscrew, M6 x 20, hex. hd., tray to chassis		AC cars	A111W1155Z	4
20	Washer, flat, M6 x 12 x 1.4, tray to chassis		AC cars	A075W4013Z	4



EXIGE

17.33

Updated 27th february 2013

Service Parts List **EXIGE**

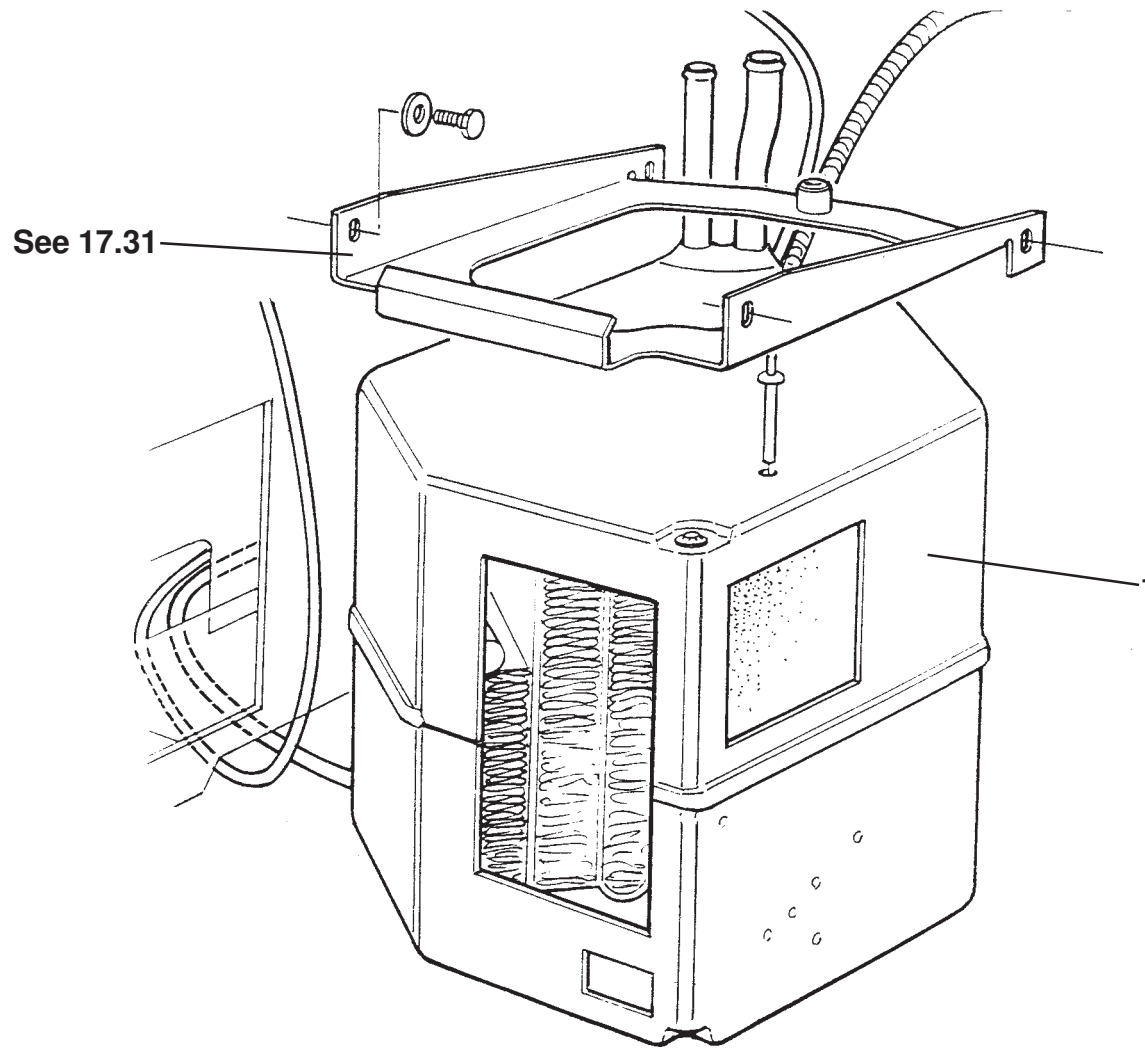


Function Code 17.33 Security Alarm System, Parking Sensors & Camera

<u>Dep</u>	<u>Part Description</u>	<u>Remarks</u>	<u>Option</u>	<u>Part Number</u>	<u>Qty</u>
01	Alarm Controller/Immobiliser Kit			A117M6013F	1
02	Microwave Sensor & Siren Kit		Optional upgrade	A117M6016F	1
03	Microswitch, alarm activation, bonnet & tailgate			A111M6037F	2
04	Setscrew. M6 x 16, hex. hd., bracket fix.			A075W1028Z	1
05	Washer, flat, M6, bracket fix.			A075W4015Z	1
06	Nyloc Nut, M6, bracket fix.			A075W3009Z	1
07	Microswitch, alarm activation, doors			A111M6035F	2
08	Alarm Tell-Tale LED	Includes leads & connector		A111M6117S	1
09	Transmitter Fob, programmed, without key blade *See below	Order using form A4-A-5303A		A340M6041S	1
10	Fastener, dual lock acrylic			A340M6032F	4
11	Nyloc Nut, M4, immobiliser fix.			A075W3049F	2
13	Washer, flat, M4 x 9 x 0.8			A082U4099F	2

NOTE: For full information on all Lotus Security Systems, see LSL483g

*Original key with remote in key head no longer available, see parts bulletin LPB2010/33.



EXIGE

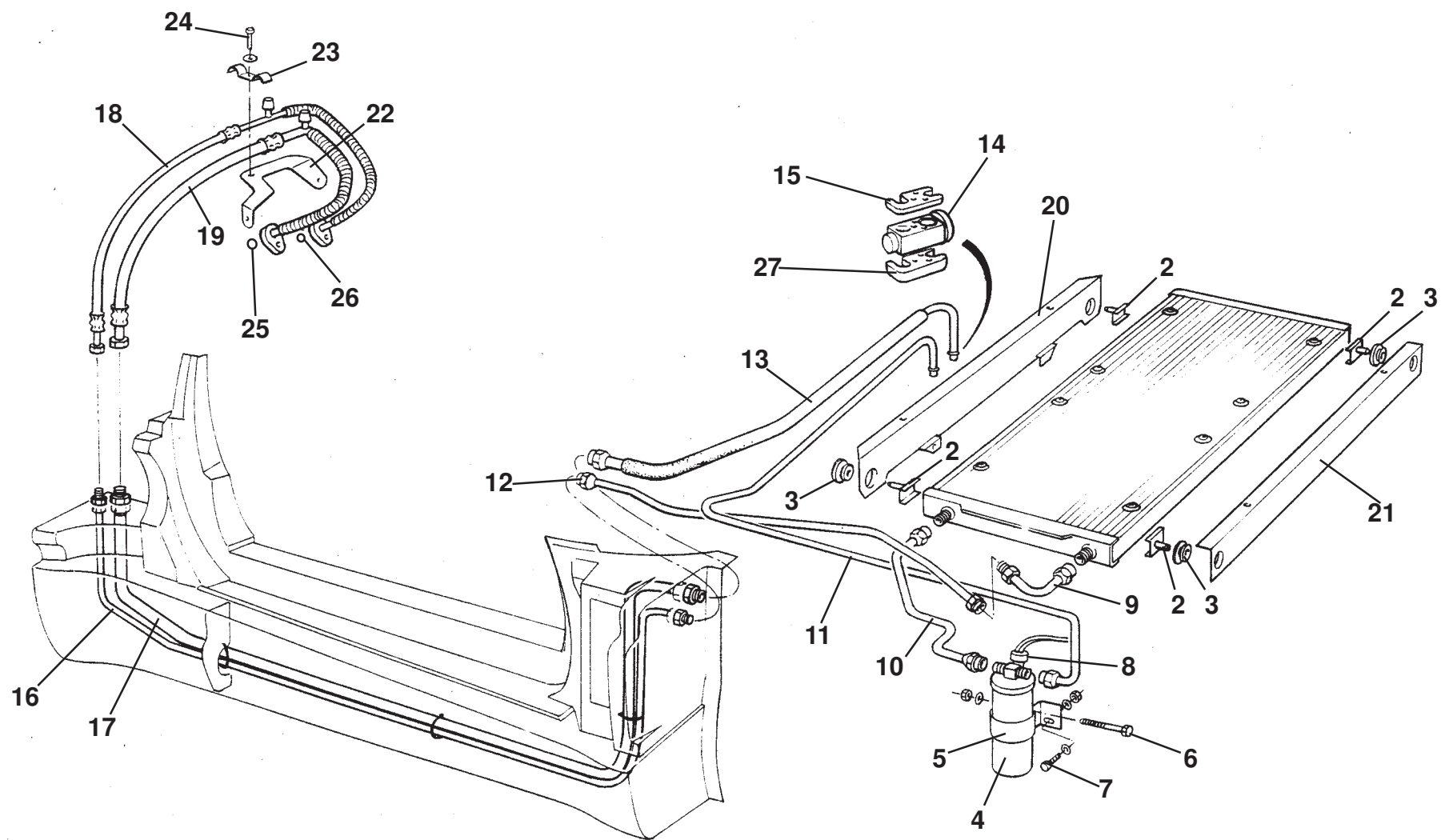
18.02

Service Parts List *EXIGE*



Function Code 18.02 AC Evaporator Housing

<u>Dep</u>	<u>Part Description</u>	<u>Remarks</u>	<u>Option</u>	<u>Part Number</u>	<u>Qty</u>
01	Evaporator/Housing Assembly, RHD			A111P0280F	1
01a	Evaporator/Housing Assembly, LHD			A111P0279F	1



EXIGE

18.03

Service Parts List **EXIGE**

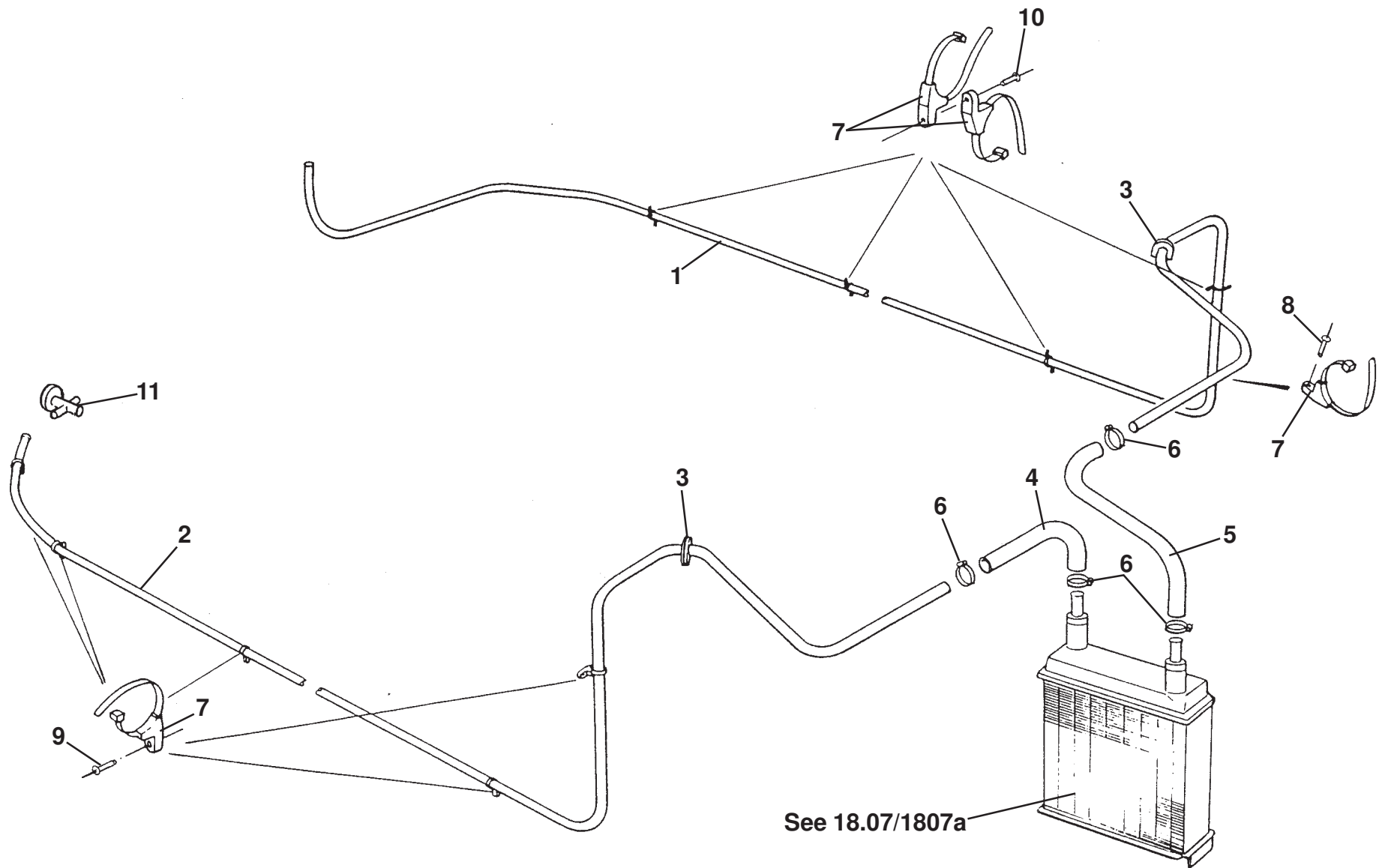


Function Code 18.03 AC Components, Pipes, Hoses

<u>Dep</u>	<u>Part Description</u>	<u>Remarks</u>	<u>Option</u>	<u>Part Number</u>	<u>Qty</u>
01	Condenser			A111P6035F	1
02	Spigot, condenser mounting			A111P0129F	4
03	Grommet, spigot to bracket			A111P6022F	4
04	Receiver drier			A082P4378F	1
05	Clamp, receiver drier mounting			A111P0116F	1
06	Setscrew, M6 x 30, hex. hd., receiver drier clamping			A075W1032Z	1
07	Setscrew, M6 x 20, hex. hd., clamp to crash structure			A075W1030Z	2
08	Triangular Switch, receiver drier		A082P6075F R/B	A111P0327F	1
09	Elbow Pipe, condenser			A111P0242F	1
10	Refrigerant Pipe, receiver drier to condenser			A111P0135F	1
11	Refrigerant Pipe, receiver drier to expansion valve			A111P0340F	1
12	Refrigerant Pipe, condenser to sill connection			B111P0302F	1
13	Refrigerant Pipe, expansion valve to sill connection	Includes lagging		A111P0341F	1
14	Expansion Valve			A111P6048F	1
15	Clamp Plate, pipes to expansion valve			A082P4402F	1
16	Refrigerant Pipe, high pressure, rear to front connections			A111P0304F	1
17	Refrigerant Pipe, suction line, rear to front connections	Includes lagging		A111P0303F	1
18	Pipe/Hose Assembly, compressor discharge		B111P0305F R/B	C111P0305F	1

Function Code 18.03 AC Components, Pipes, Hoses

<u>Dep</u>	<u>Part Description</u>	<u>Remarks</u>	<u>Option</u>	<u>Part Number</u>	<u>Qty</u>
19	Pipe/Hose Assembly, compressor suction		A111P0306F R/B	B111P0306F	1
20	Bracket, condenser mounting, rear			A111P0084F	1
21	Bracket, condenser mounting, front			A111P0085F	1
22	Steady Bracket, compressor pipes			A111P0119F	1
23	Clamp Plate, compressor pipes			A111P0117F	1
24	Setscrew, M5 x 30, hex. hd., clamp plate to bracket			A079W1084F	1
25	'O' Ring, suction pipe to compressor			A111P6019F	1
26	'O' Ring, discharge pipe to compressor			A111P6018F	1
27	Clamp Plate, valve to evaporator			A082P4401F	1



EXIGE

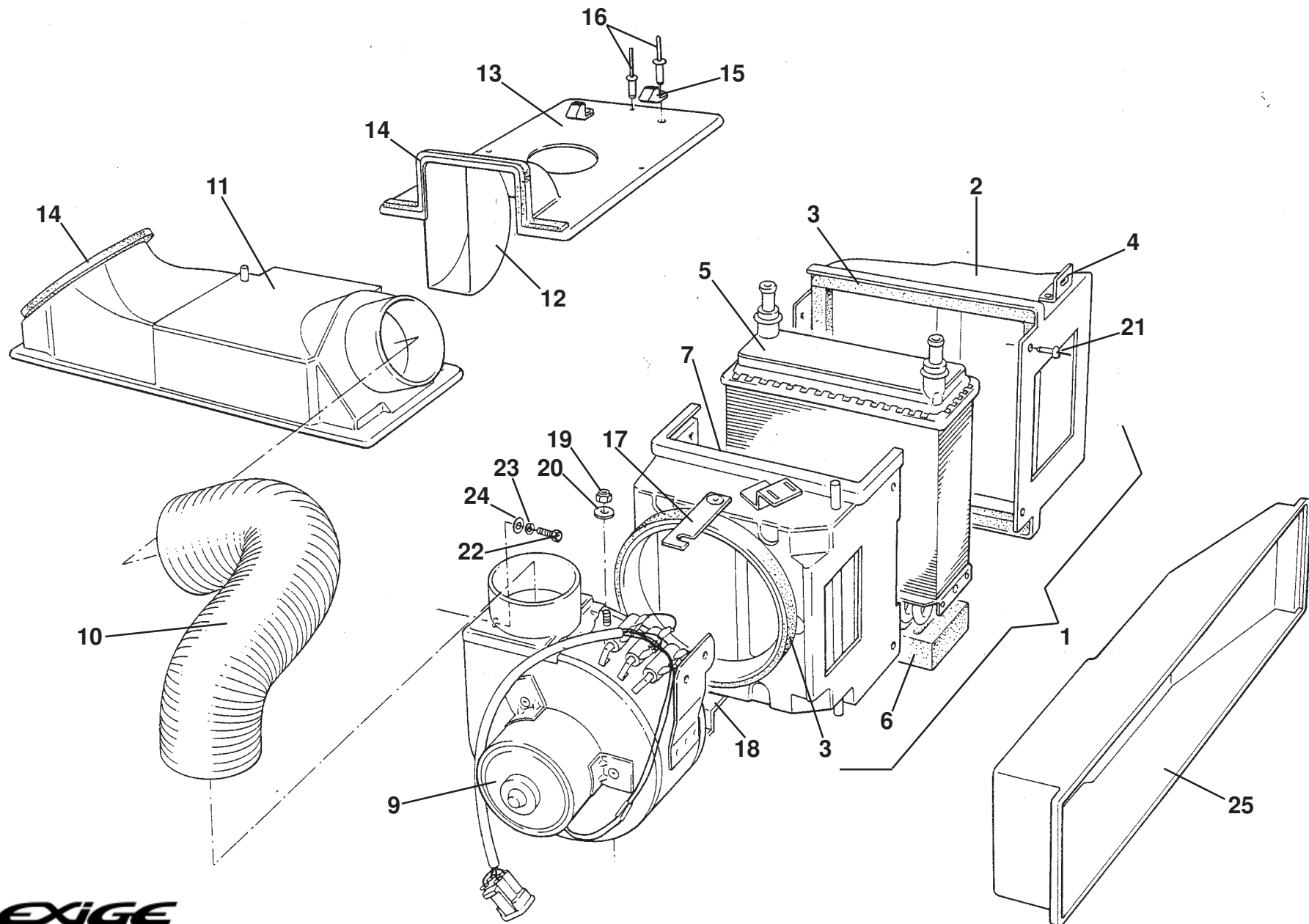
18.05

Service Parts List *EXIGE*



Function Code 18.05 Heater, Pipes, Hoses

<u>Dep</u>	<u>Part Description</u>	<u>Remarks</u>	<u>Option</u>	<u>Part Number</u>	<u>Qty</u>
01	Pipe, heater return			B111P0001F	1
02	Pipe, heater feed			B111P0002F	1
03	Grommet, heater pipes	In scuttle baffle		A111P0003K	2
04	Hose, heater inlet, RHD			A111P0058F	1
04a	Hose, heater inlet, LHD			A111P0057F	1
04b	Hose, heater inlet, RHD		AC cars	A116P0010F	1
04c	Hose, heater inlet, LHD		AC cars	A116P0007F	1
05	Hose, heater outlet, RHD			A111P0056F	1
05a	Hose, heater outlet, LHD			A111P0055F	1
05b	Hose, heater inlet, RHD		AC cars	A116P0008F	1
05c	Hose, heater inlet, LHD		AC cars	A116P0009F	1
06	Hose Clip			A079K6018Z	4
07	Tie Wrap Cradle	Pipes to chassis		A085W6276F	14
08	Blind Rivet, cradle to chassis			A085W6259F	4
09	Blind Rivet, cradle to chassis			A111W6613F	6
10	Blind Rivet, cradles to chassis			A111W6614F	4
11	Water Valve		AC cars	A111P6023F	1



EXIGE

18.07

Service Parts List *EXIGE*

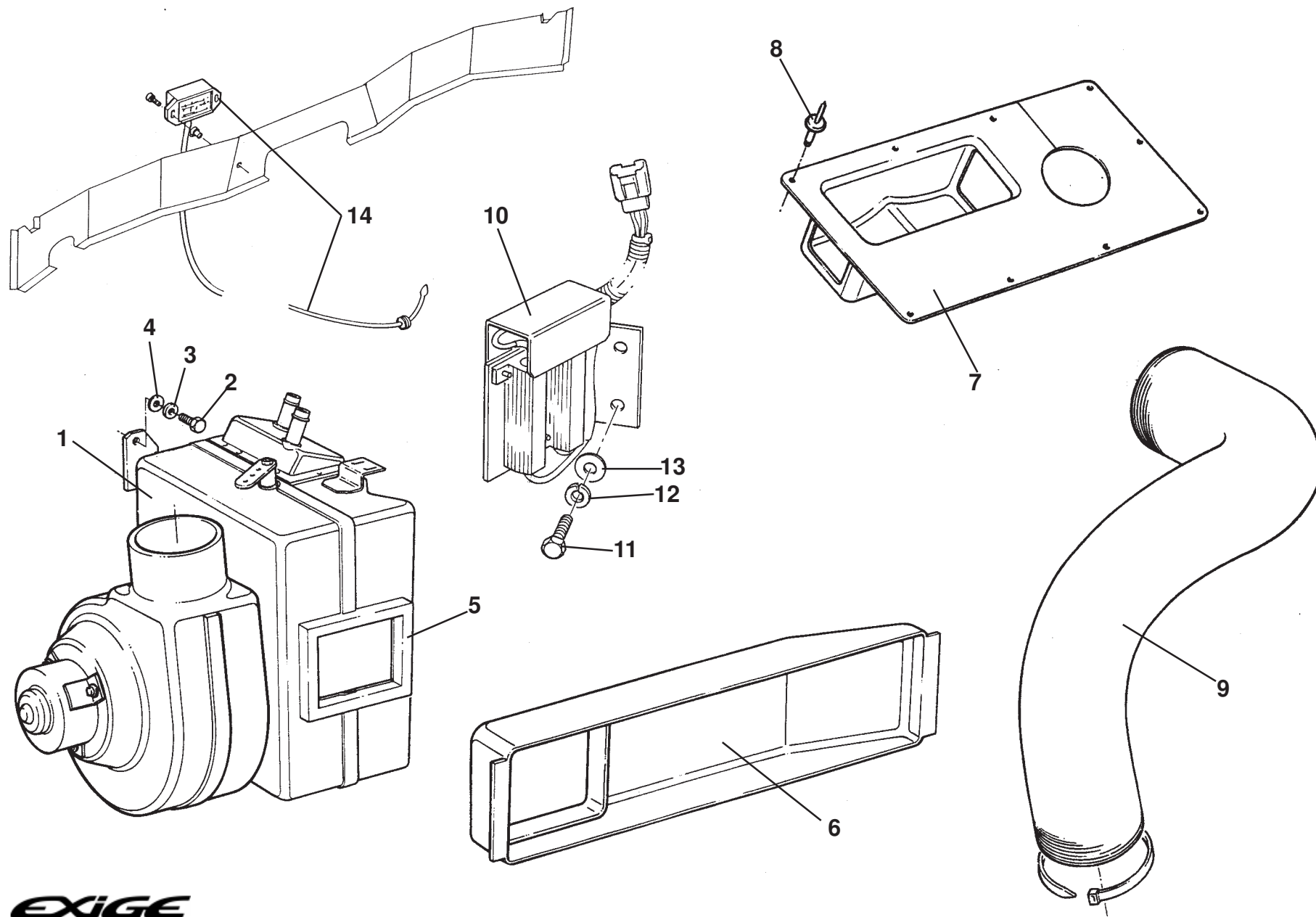


Function Code 18.07 Interior Blower Motor, Heater Matrix, Intakes & Ducting

<u>Dep</u>	<u>Part Description</u>	<u>Remarks</u>	<u>Option</u>	<u>Part Number</u>	<u>Qty</u>
01	Heater Assembly, RHD	Incl. matrix, housing & flap assy.	Service assembly	A111P0278J	1
01a	Heater Assembly, LHD	Incl. matrix, housing & flap assy.	Service assembly	A111P0277J	1
02	Cover, heater housing, RHD			B111P0042K	1
02a	Cover, heater housing, LHD			B111P0041K	1
03	Foam Seal, heater housing			A100B0431V	As req.
04	Bracket, heater assy. to chassis			B111P0053F	1
05	Heater Matrix			A111P6011F	1
06	Foam base, heater matrix			A111P6012F	1
07	Heater Housing Assembly, RHD	Includes flap assembly	Service assembly	B111P0074J	1
07a	Heater Housing Assembly, LHD	Includes flap assembly	Service assembly	B111P0073J	1
08	Foam Seal, heater casing to motor			A100B0431V	1
09	Blower Motor			A111P0012F	1
10	Hose, blower to plenum			A111P0020F	1
11	Plenum Assembly, RHD	Includes flap assembly		A111P0064J	1
11a	Plenum Assembly, LHD	Includes flap assembly		A111P0063J	1
12	Deflector, footwell			A111P0062K	1
13	Plenum, outlet			A111P0026K	1
14	Foam Seal, plenum outlets			A100B0431V	As req.

Function Code 18.07 Interior Blower Motor, Heater Matrix, Intakes & Ducting

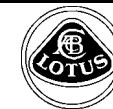
<u>Dep</u>	<u>Part Description</u>	<u>Remarks</u>	<u>Option</u>	<u>Part Number</u>	<u>Qty</u>
15	Tie Wrap Cradle			A085W6276F	2
16	Pop Rivet			A075W6087Z	4
17	Bracket, upper, blower to housing			A111U0477F	1
18	Bracket, lower, blower to housing			A111U0491F	1
19	Nyloc Nut, M5, motor to hsg.			A075W1021Z	2
20	Washer, flat, M5 x 10			A075W4011Z	4
21	Pop Rivet			A075W6066Z	6
22	Setscrew, M6 x 16, hex. hd., blower to chassis		2 off, LHD	A075W1028Z	3
22a	Setscrew, M6 x 25, hex. hd., blower to chassis		LHD	A075W1031Z	1
23	Washer, spring, M5			A075W4035Z	3
24	Washer, flat M5 x 18 x 1.0			B082W4018Z	3
25	Ram Air Intake			A111P0034K	1



EXIGE

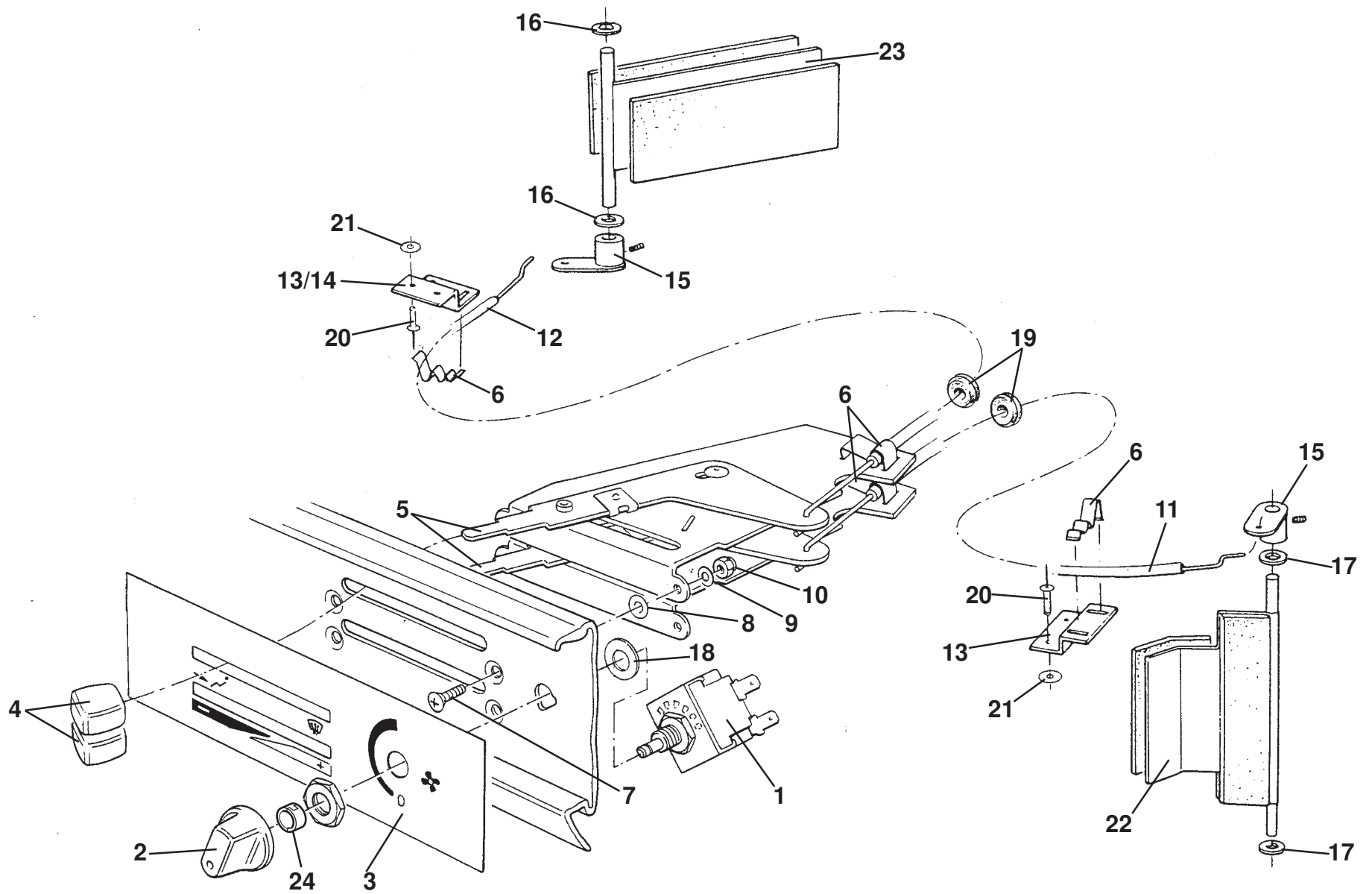
18.07a

Service Parts List *EXIGE*



Function Code 18.07a AC Interior Blower Motor

<u>Dep</u>	<u>Part Description</u>	<u>Remarks</u>	<u>Option</u>	<u>Part Number</u>	<u>Qty</u>
01	Heater Assembly, RHD			B111P0282F	1
01a	Heater Assembly, LHD			B111P0281F	1
02	Screw, M6 x 20, hex.hd., heater assy. to chassis		A075W1027Z R/B	A075W1030Z	2
03	Washer, spring, M6, heater assy. to chassis			A075W4035Z	2
04	Washer, flat, M6, heater assy. to chassis			A075W4015Z	2
05	Foam Gasket, duct to heater			A116P0020F	1
06	Air Intake Duct			B116P0005F	1
07	Deflector, footwell, RHD			A117U0222F	1
07a	Deflector, footwell, LHD			A117U0221F	1
08	Pop Rivet, deflector fix.			A082W6512Z	10
09	Hose, heater to plenum			A111P0343V	1
10	Resistor Assembly, fan control			A111M6127F	1
11	Screw, M6 x 12, hex.hd., resistor assy. to chassis			A075W1027Z	2
12	Washer, spring, M6, resistor assy. to chassis			A075W4035Z	2
13	Washer, flat, M6, resistor assy. to chassis			A075W4015Z	2
14	Thermoamplifier/Thermister Assembly		A/C only	A082M4766K	1



EXIGE

18.09

Updated 24th January 2013

Service Parts List **EXIGE**



Function Code 18.09 Driver Operated Controls

<u>Dep</u>	<u>Part Description</u>	<u>Remarks</u>	<u>Option</u>	<u>Part Number</u>	<u>Qty</u>
01	Switch, fan speed control			A082M6223F	1
02	Knob, fan speed control			A082P4350F	1
03	Graphics Panel, heater			A111P0011F	1
04	Knob, slider assembly, heater/distribution			A111P6003F	2
05	Control Slider, heater/distribution			A111P6002F	2
06	Cable Securing Clip			A111P6008F	4
07	Screw, M4 x 16, csk. pozi. control to panel			A100W5160F	4
08	Washer, M5 x 10			A075W4011Z	4
09	Washer, M4 x 9			A082W4099F	4
10	Nyloc Nut, M4			A075W3049F	4
11	Cable, temperature control, RHD			A111P0021F	1
11a	Cable, temperature control, LHD			A111P0051F	1
12	Cable, distribution control, RHD			A111P0022F	1
12a	Cable, distribution control, LHD			A111P0050F	1
13	Cable Abutment Bracket, heater & plenum, RHD		1 off, heater, LHD	A111P0049F	2
14	Cable Abutment Bracket, plenum, LHD			A111P0052F	1
15	Lever Arm Assembly, flaps	Includes grub screw		A111P0048F	2
16	Washer, spacer, M6 x 12 x 1.5, plenum flap			B100W4127F	4

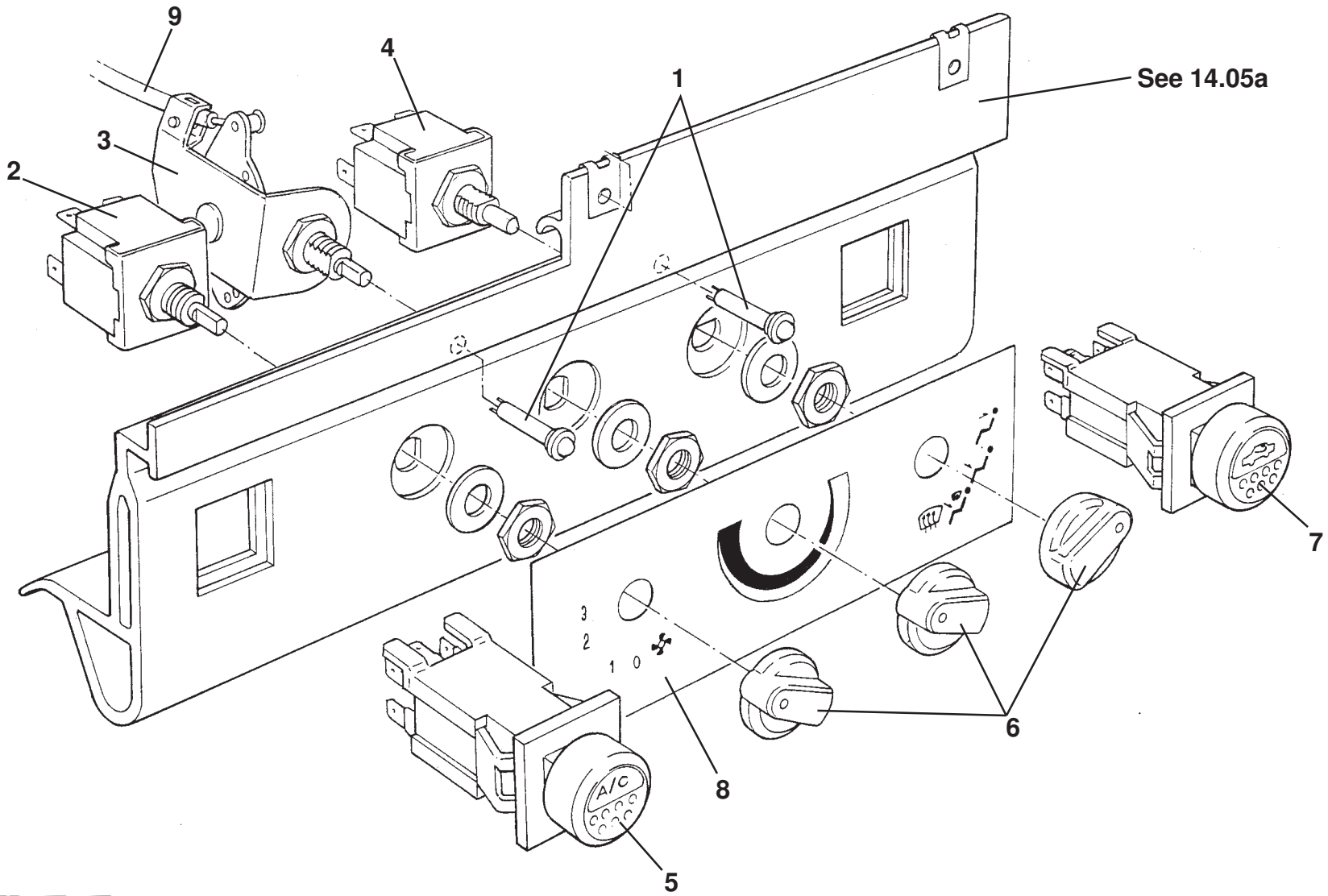
EXIGE

Function Code: 18.09, Page: 1

Updated 24th January 2013

Function Code 18.09 Driver Operated Controls

<u>Dep</u>	<u>Part Description</u>	<u>Remarks</u>	<u>Option</u>	<u>Part Number</u>	<u>Qty</u>
17	Washer, spacer, M6 x 15 x 1.5, heater flap			A082W4133F	2
18	Washer, M12 x 24, switch to panel			A075W4071F	1
19	Grommet, cables through bulkhead		2 off RHD	X036B6150Z	3
20	Pop rivet, cable abutment bracket fix.			A111W6597F	8
21	Washer, flat, 1/8" x 3/8"			A075W4001Z	8
22	Flap Assembly, heater unit	Part of heater assy., see18.07		B111P0060J	1
23	Flap Assembly, plenum	Part of plenum assy., see 18.07		B111P0059J	1
24	Spring Clip, switch knob			A082W6493F	1



EXIGE

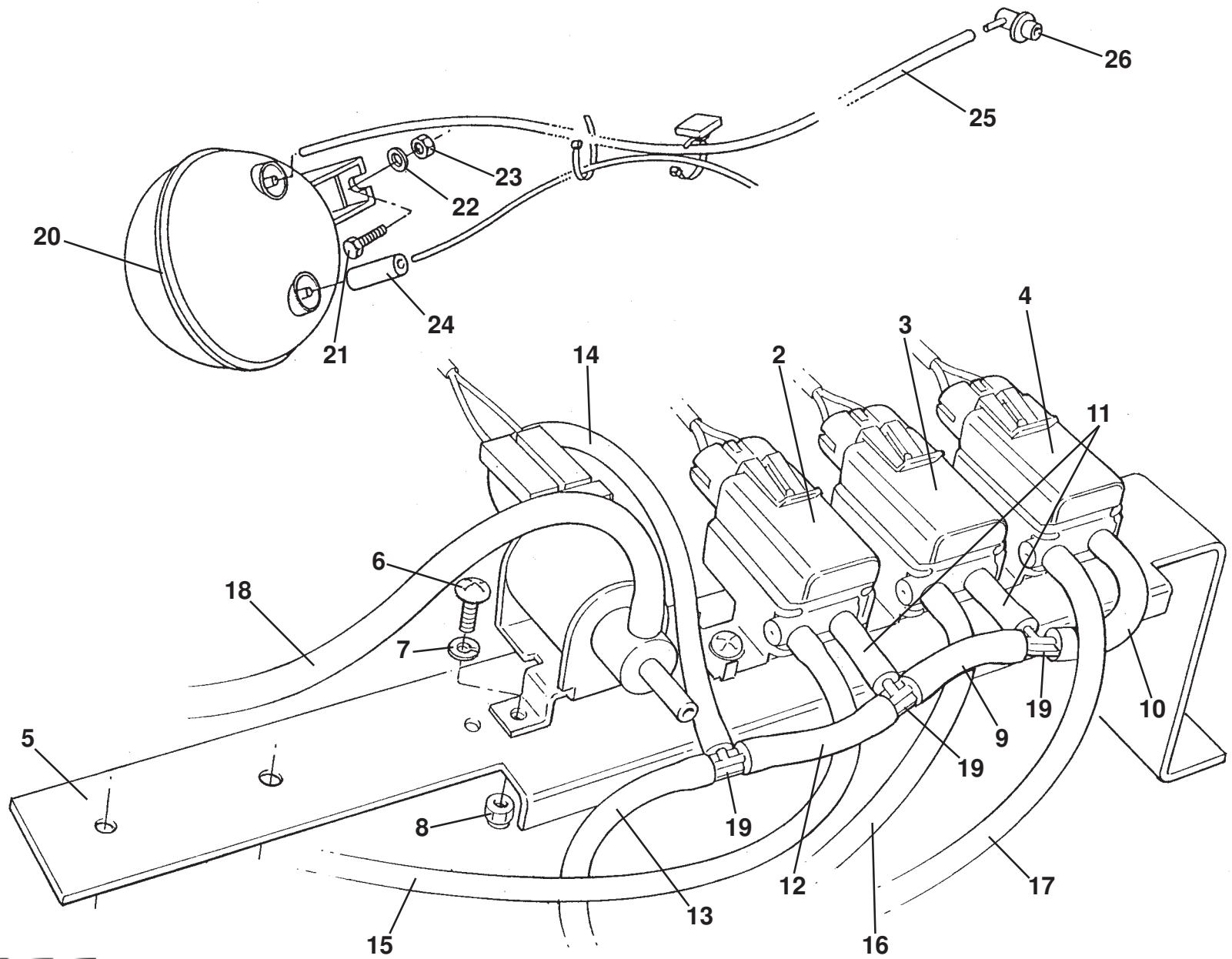
18.09a

Service Parts List **EXIGE**



Function Code 18.09a AC/Heater Driver Operated Controls

<u>Dep</u>	<u>Part Description</u>	<u>Remarks</u>	<u>Option</u>	<u>Part Number</u>	<u>Qty</u>
01	LED Assembly, orange			A111M6069F	2
02	Switch, thee speed fan	Supplied with knob		A111M6069F	1
03	Rotary Control, temperature	Supplied with knob & cable		A111P0310F	1
04	Switch, air distribution	Supplied with knob		A111M6074H	1
05	Switch, air conditioning			A111M6067F	1
06	Knob, switch control	Part of items 2, 3, 4		A082P4350F	3
06a	Spring Clip, knob fix.	Part of item 6, not illustrated		A082W6493F	3
07	Switch, recirculation			A111M6068F	1
08	Graphics Panel			A111P0155F	1
09	Cable, temperature control	Part of item 3		TBA	1



EXIGE

18.11

Service Parts List **EXIGE**



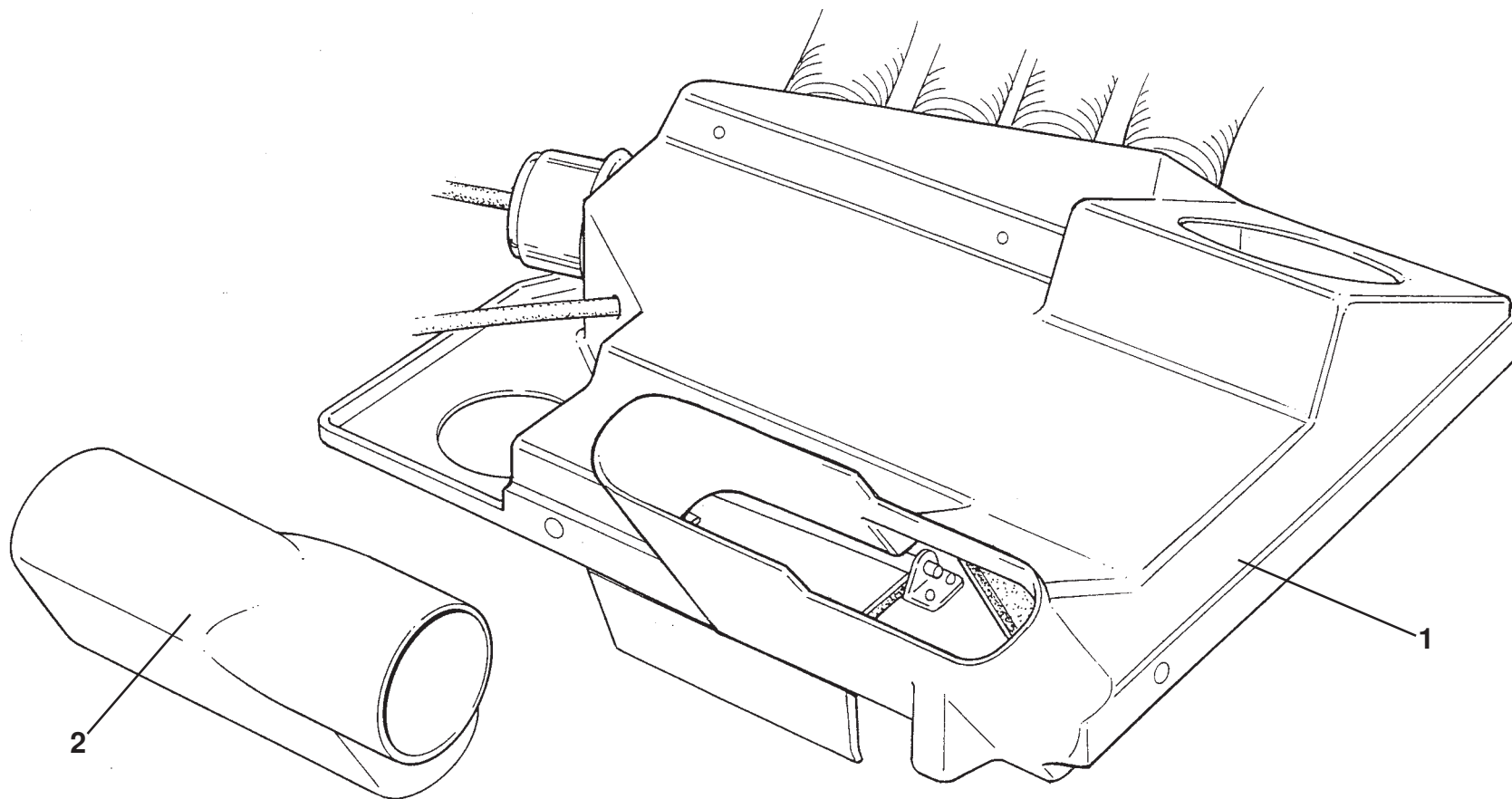
Function Code 18.11 AC Vacuum Controls

<u>Dep</u>	<u>Part Description</u>	<u>Remarks</u>	<u>Option</u>	<u>Part Number</u>	<u>Qty</u>
01	Solenoid Valve, screen flap			A082M6666F	1
02	Solenoid Valve, footwell flap			A082M6421F	1
03	Solenoid Valve, re-circ flap			A082M421F	1
04	Solenoid Valve, water valve			A082M6421F	1
05	Bracket, solenoids mounting				1
06	Screw, M5 x 12, button hd., pozi., bracket & solenoids fix.			A111W7117F	6
07	Washer, spring, M5			A082W4130F	6
08	Nyloc Nut, M5, solenoids to bracket			A075W3008Z	4
09	Hose, vacuum supply, 'T' piece connecting	Cut to fitted length		A910E6784V	45mm
10	Hose, vacuum supply, 'T' piece to solenoid	Cut to fitted length		A910E6784V	50mm
11	Hose, vacuum supply, 'T' piece to solenoid	Cut to fitted length		A910E6784V	40mm
12	Hose, vacuum supply, 'T' piece connecting	Cut to fitted length		A910E6784V	45mm
13	Hose, vacuum supply, 'T' piece to reservoir	Cut to fitted length		A910E6784V	2.5M
14	Hose, vacuum supply, 'T' piece to solenoid	Cut to fitted length		A910E6784V	270mm
15	Hose, solenoid to footwell flap	Cut to fitted length		A910E6784V	560mm
16	Hose, solenoid to re-circ flap	Cut to fitted length		A910E6784V	700mm
17	Hose, solenoid to water valve	Cut to fitted length		A910E6784V	2.5M
18	Hose, solenoid to screen flap	Cut to fitted length		A910E6784V	640mm



Function Code 18.11 AC Vacuum Controls

<u>Dep</u>	<u>Part Description</u>	<u>Remarks</u>	<u>Option</u>	<u>Part Number</u>	<u>Qty</u>
19	'T' Piece			A082J6089F	3
20	Vacuum Reservoir			A100P6018F	1
21	Setscrew, M5 x 20, hex. hd., vacuum reservoir mounting			A075W1025F	2
22	Washer, flat, M5 x 1.0			A075W4011Z	2
23	Nyloc Nut, M5			A075W3008F	2
24	Connector, 40mm, vacuum hose to 'T' piece			A082L4294F	1
25	Vacuum Hose, 700mm, reservoir to non return valve			B111P0220F	1
26	Non Return Valve			A111P0184F	1



EXIGE

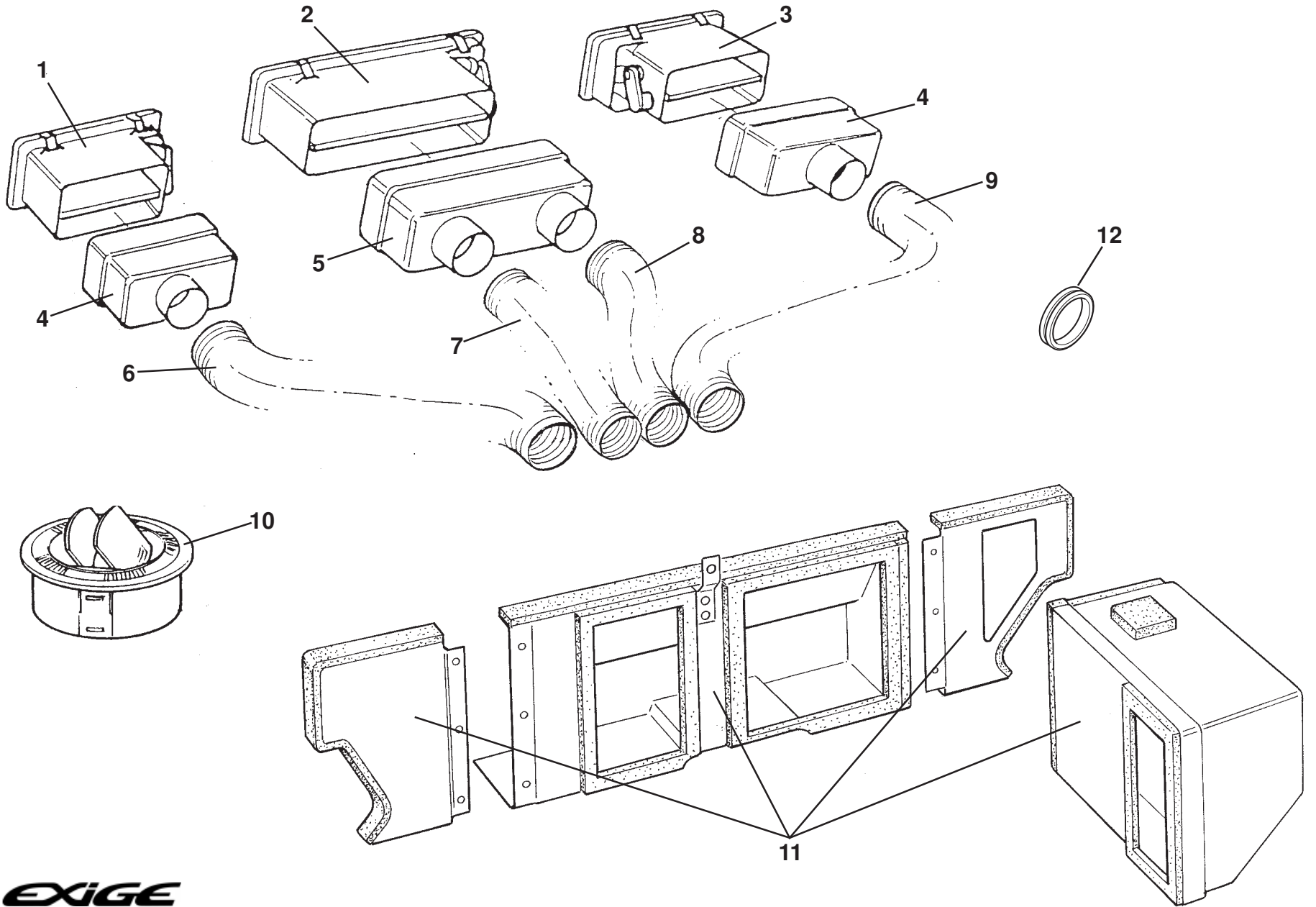
18.12

Service Parts List *EXIGE*



Function Code 18.12 AC/Heater Air Distribution Plenum

<u>Dep</u>	<u>Part Description</u>	<u>Remarks</u>	<u>Option</u>	<u>Part Number</u>	<u>Qty</u>
01	Air Distribution Plenum, AC/heater, LHD			A111P0285F	1
01a	Air Distribution Plenum, AC/heater, RHD			A111P0286F	1
02	Adaptor, plenum to trunking		LHD only	A111P0335F	1



EXIGE

18.13

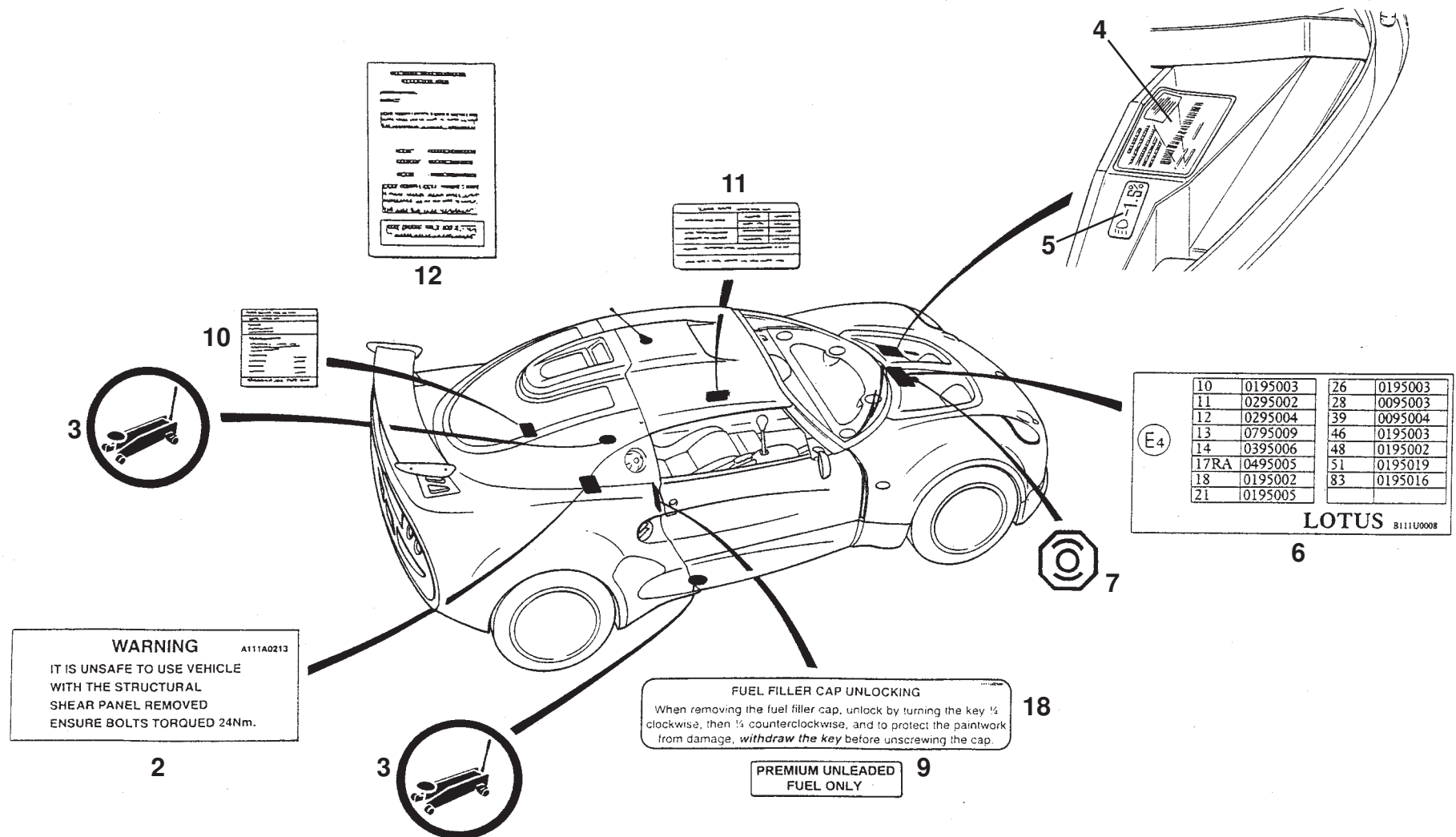
Updated 24th January 2013

Service Parts List **EXIGE**



Function Code 18.13 Air Trunking, Ducts & Ventilators

<u>Dep</u>	<u>Part Description</u>	<u>Remarks</u>	<u>Option</u>	<u>Part Number</u>	<u>Qty</u>
01	Face Level Vent, RH		AC, RHD/LHD	A082P6063F	1
02	Face Level Vent, centre		AC, RHD/LHD	A111P6017F	1
03	Face Level Vent, LH		AC, RHD/LHD	A111P6016F	1
04	Adaptor, trunking to face level vents, outer		AC, RHD/LHD	A111P0293K	2
05	Adaptor, trunking to face level vent, centre		AC, RHD/LHD	A111P0294K	1
06	Trunking, 50.5mm, face level vent, passenger, outer		AC, RHD/LHD	A111P0329K	500mm
07	Trunking, 38.5mm, face level vent, passenger, inner	Centre twin vent	AC, RHD/LHD	A111P0331K	180mm
08	Trunking, 38.5mm, face level vent, driver, inner	Centre twin vent	AC, RHD/LHD	A111P0330K	200mm
09	Trunking, 50.5mm, face level vent, driver, outer		AC, RHD/LHD	A111P0328K	700mm
10	Demister Vent, top of crash pad		All cars	A111P6001F	4
11	Duct Kit, AC re-circ to footwell, RHD		AC	A111P0284F	1
11a	Duct Kit, AC re-circ to footwell, RHD		AC	A111P0283F	1
12	Grommet, FLV thro' bulkhead, LHS			A111P6047F	1



WARNING

IT IS UNSAFE TO USE VEHICLE WITH THE STRUCTURAL SHEAR PANEL REMOVED. ENSURE BOLTS TORQUED 24Nm.

WARNING A111A0213

IT IS UNSAFE TO USE VEHICLE WITH THE STRUCTURAL SHEAR PANEL REMOVED. ENSURE BOLTS TORQUED 24Nm.

FUEL FILLER CAP UNLOCKING

When removing the fuel filler cap, unlock by turning the key ¼ clockwise, then ¼ counterclockwise, and to protect the paintwork from damage, *withdraw the key* before unscrewing the cap.

10	0195003	26	0195003
11	0295002	28	0095003
12	0295004	39	0095004
13	0795009	46	0195003
14	0395006	48	0195002
17RA	0495005	51	0195019
18	0195002	83	0195016
21	0195005		

LOTUS 8111U0008

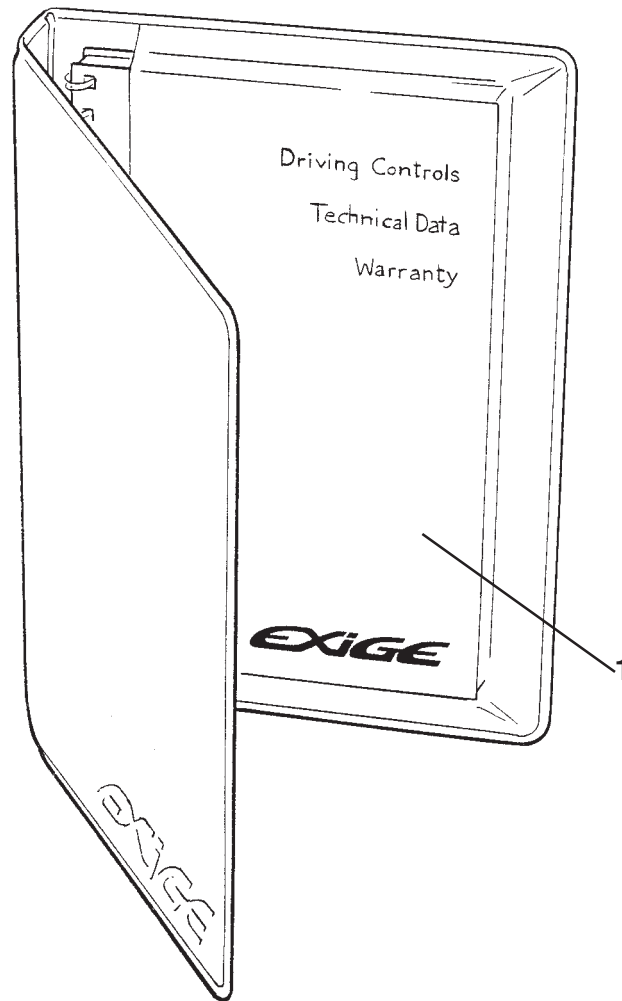
EXIGE
19.01

Service Parts List **EXIGE**



Function Code 19.01 Labels, Certificates, Literature etc.

<u>Dep</u>	<u>Part Description</u>	<u>Remarks</u>	<u>Option</u>	<u>Part Number</u>	<u>Qty</u>
01	Certificate of Conformity	Contact Lotus Type Approval	All models/markets	Not listed	1
02	Label, shear panel warning			A111A0213F	1
03	Label, jacking point			A111U0239F	2
04	Label, VIN (special order only)	In services bay		F075U1186K	1
05	Label, headlamp levelling, 1.5%			B082U7039F	1
06	Label, 'E' mark			D111U0008F	1
07	Label, brake fluid warning			A082U7623F	1
08	Fuel Filler, unlock instructions, black			A111U0257F	1
08a	Fuel Filler, unlock instructions, white			A111U0258F	1
09	Label, premium unleaded fuel			A082U7800F	1
10	Label, vehicle emissions			A111U0318F	1
11	Label, tyre loading		Australia only	A111U0588F	1
12	Label, fuel consumption		Australia only	A111U0589K	1



EXIGE

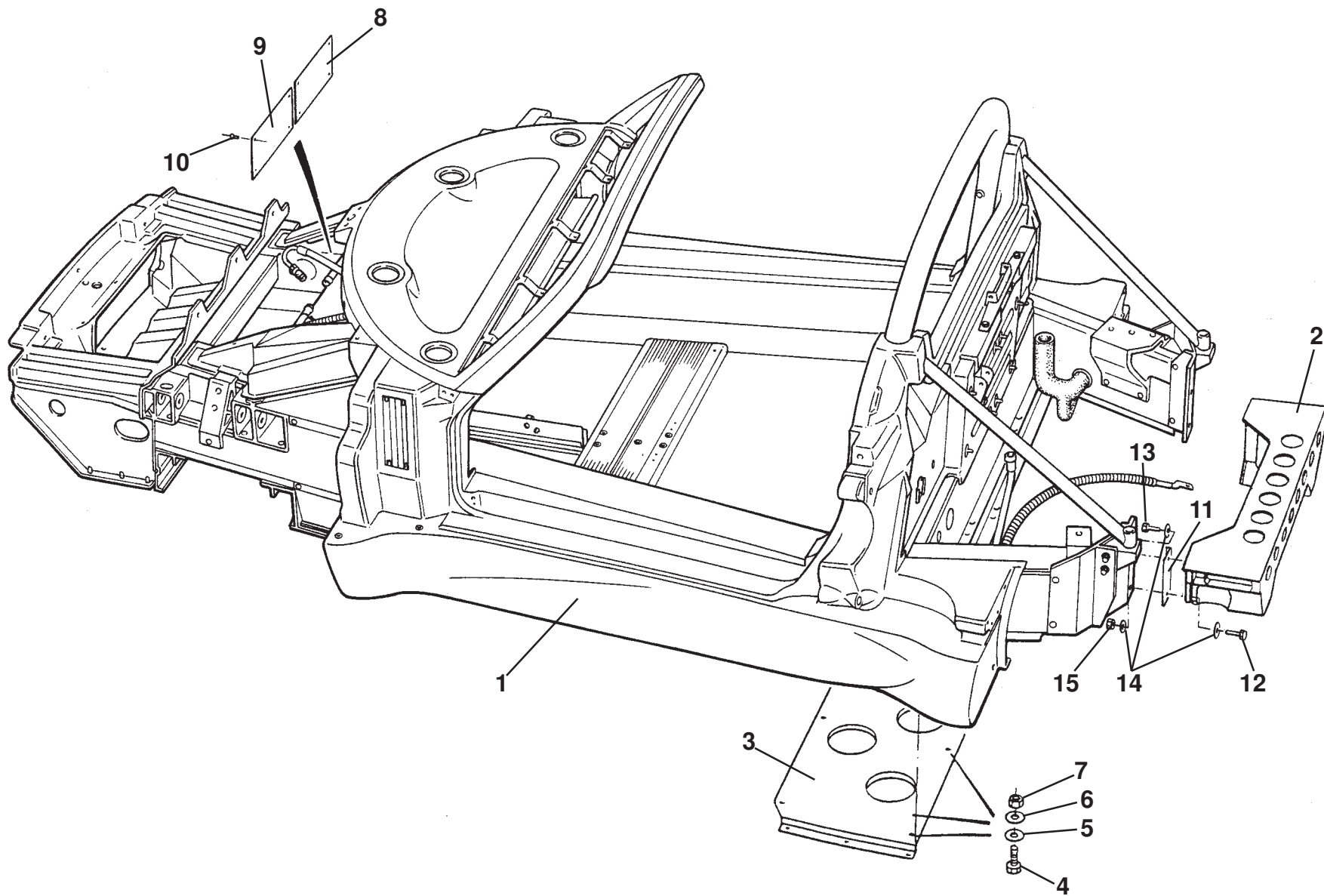
19.03

Service Parts List *EXIGE*



Function Code 19.03 Owner's Handbooks & Service Notes Manuals

<u>Dep</u>	<u>Part Description</u>	<u>Remarks</u>	<u>Option</u>	<u>Part Number</u>	<u>Qty</u>
01	Owners Handbook	Includes maintenance record/dealer directory		D111T0324J	1
02	Service Notes (Elise)	Not illustrated, supplement in Elise book		A111T0327J	1
03	Service Parts List	Not illustrated		B111T0325J	1
04	Service Labour Time Schedule (Elise)	Not illustrated, incl. in Elise book	Elise, 340R & Exige	D111T0328J	1
05	Maintenance Schedule	Not illustrated, 6.000 mile intervals	Sport 160	B111T0324/2	1



EXIGE

30.01

Service Parts List **EXIGE**



Function Code 30.01 Chassis, Subframes

<u>Dep</u>	<u>Part Description</u>	<u>Remarks</u>	<u>Option</u>	<u>Part Number</u>	<u>Qty</u>
01	Partial Body Assembly*		RHD	B111A0230J	1
01a	Partial Body Assembly*		LHD	B111A0229J	1
01b	Partial Body Assembly*		RHD, AC	A111A0311J	1
01c	Partial Body Assembly*		LHD, AC	B111A0229J	1
02	Rear Sub Frame, galvanised	Order rear longerons also, see 30.19		C111A0057F	1
03	Shear Panel, fuel tank bay closing panel		C111A0065F R/B	D111A0065F	1
04	Screw, M8 x 25, hex. hd., shear panel fix			A111W1156F	10
05	Washer, flat, M8 x 21 x 1.6			A111W4159F	10
06	Washer, flat, M8 x 16.6 x 1.4			A111W4164F	5
07	Nut, nyloc, M8			A907E6284F	5
08	Blanking Panel, RH, toe board air vents		Heater cars	A111P0490K	1
09	Blanking Panel, LH, toe board air vents		Heater cars	A111P0489K	1
10	Pop Rivet, blanking panel fix			A085W6259F	8
11	Shim, chassis to subframe, LH			A111A0217F	1
11a	Shim, chassis to subframe, RH			A111A0216F	1
12	Bolt, M10 x 55, hex. hd.			A111W2181F	2
13	Screw, M10 x 25, hex. hd.			A111W1157F	2
14	Washer, flat, M10 x 20.5 x 1.8			A075W4024Z	8

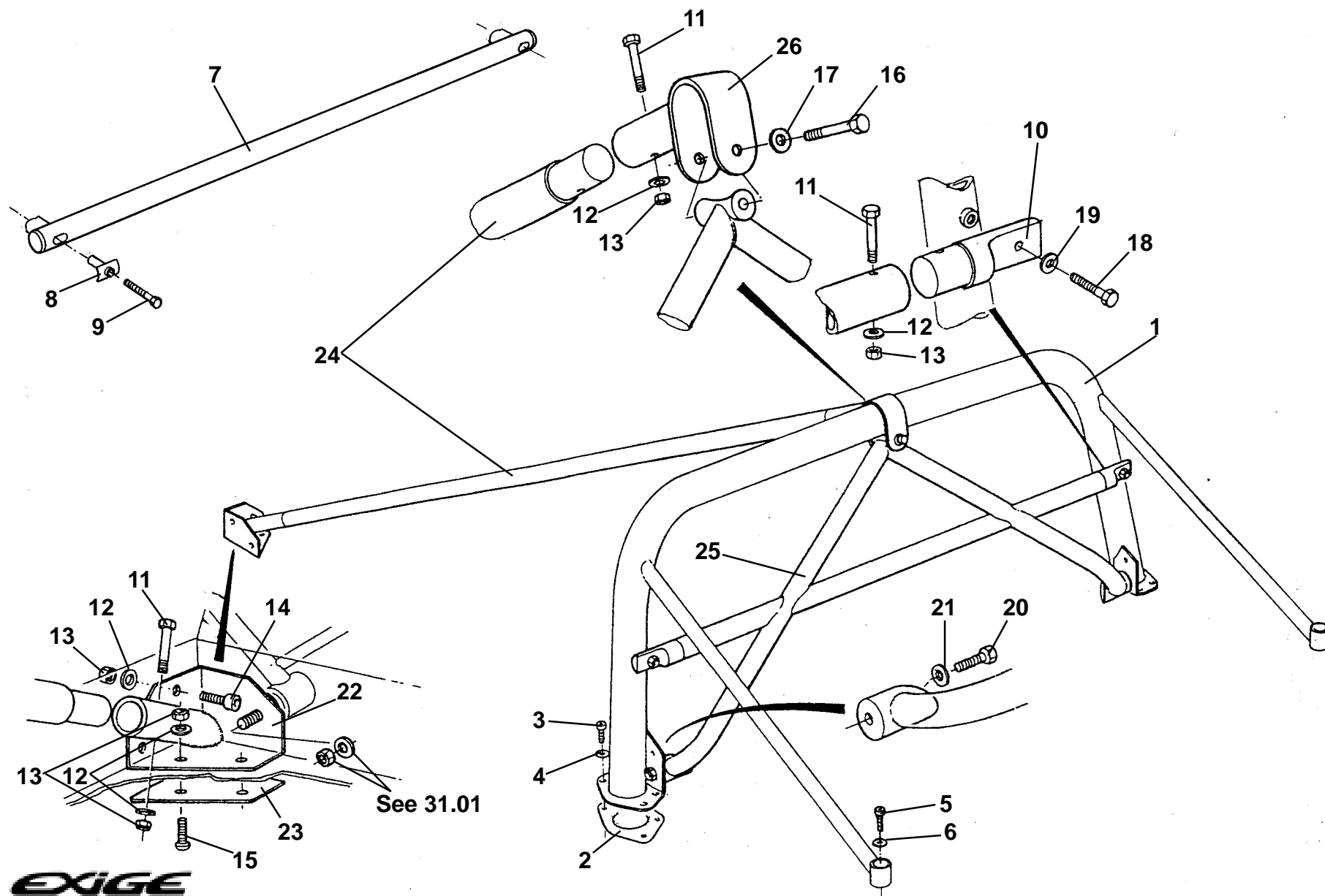
EXIGE

Function Code: 30.01, Page: 1

Updated 2nd March 2015

Function Code 30.01 Chassis, Subframes

<u>Dep</u>	<u>Part Description</u>	<u>Remarks</u>	<u>Option</u>	<u>Part Number</u>	<u>Qty</u>
15	Nut, M10, flg. hd.			A111W3151F	4
*Use order form LSL631					



EDGE
30.02

Service Parts List **EXIGE**



Function Code 30.02 Seat Belt Mounting Frames, Stays

<u>Dep</u>	<u>Part Description</u>	<u>Remarks</u>	<u>Option</u>	<u>Part Number</u>	<u>Qty</u>
01	Roll-Over Bar, black			E111A0074F	1
02	Shim, base plate			A111A0071	2
03	Screw, M8 x 25, cap hd.			A111W7132F	8
04	Washer, flat, M8 x 16.6 x 1.4			A075W4020Z	8
05	Screw, M10 x 40, cap hd.			A111W7143F	2
06	Washer, flat, M10 x 20.5 x 1.8			A075W4024Z	2
07	Harness Bar	For 4 point harness/sports seats	Optional	A111A0304F	1
08	Sleeve, bar mounting	For 4 point harness/sports seats	Optional	D111A0306F	2
09	Bolt, M10 x 80, hex. hd., bar to roll-over bar	For 4 point harness/sports seats	Optional	A075W2061Z	2
10	Mounting Spigot, harness bar to roll-over bar		MOTOR SPORT	A111A0224S	2
11	Bolt, M8 x 50, hex. hd.		MOTOR SPORT	A079W1044F	4
12	Washer, flat, M8		MOTOR SPORT	A075W4079F	8
13	Nyloc Nut, M8		MOTOR SPORT	A907E6284F	8
14	Setscrew, M8 x 16, cap hd.		MOTOR SPORT	A075W1036Z	2
15	Setscrew, M8 x 20, pan hd. pozi.		MOTOR SPORT	A075W5095Z	2
16	Bolt, M12 x 80, hex. hd.		MOTOR SPORT	A082W2157F	1
17	Washer, flat		MOTOR SPORT	A082W4154F	1
18	Bolt, M10 x 75, hex. hd.		MOTOR SPORT	A075W2059Z	2

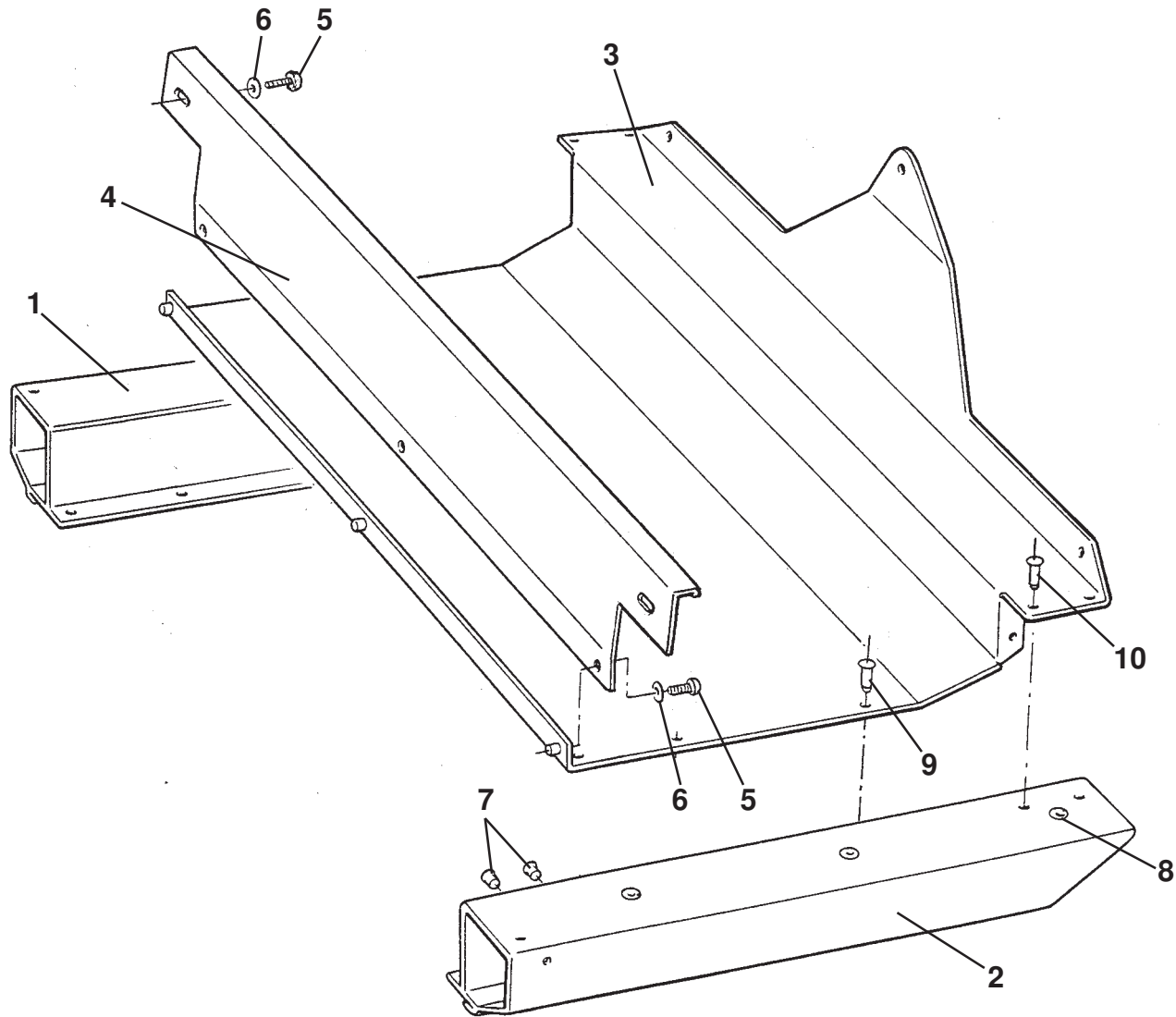
EXIGE

Function Code: 30.02, Page: 1

Updated 1st December 2014

Function Code 30.02 Seat Belt Mounting Frames, Stays

<u>Dep</u>	<u>Part Description</u>	<u>Remarks</u>	<u>Option</u>	<u>Part Number</u>	<u>Qty</u>
19	Washer, flat, M10		MOTOR SPORT	A075W4037Z	2
20	Bolt, 7/16" x 25mm, hex. hd.		MOTOR SPORT	A111W2183F	2
21	Washer, flat, 7/16"		MOTOR SPORT	A075W4029F	2
22	Corner Plate, strut to floor, LH footwell (RHD)		MOTOR SPORT	A111A0238S	1
22a	Corner Plate, strut to floor, RH footwell (LHD)		MOTOR SPORT	A111A0237S	1
23	Floor Reinforcing Plate		MOTOR SPORT	A111A0244S	1
24	Strut, bar to floor		MOTOR SPORT	A111A0239S	1
25	'A' Frame/Harness Bar		MOTOR SPORT	A111A0234S	1
26	'U' Clamp Spigot, strut to bar, LHD		MOTOR SPORT	A111A0227S	1
26a	'U' Clamp Spigot, strut to bar, RHD		MOTOR SPORT	A111A0226S	1
27	Roll-Over Bar Reinforcement Kit, RHD	Comprises items 10 to 26	MOTOR SPORT	A111A0246S	1
27a	Roll-Over Bar Reinforcement Kit, LHD	Comprises items 10 to 26	MOTOR SPORT	A111A0245S	1



EXIGE

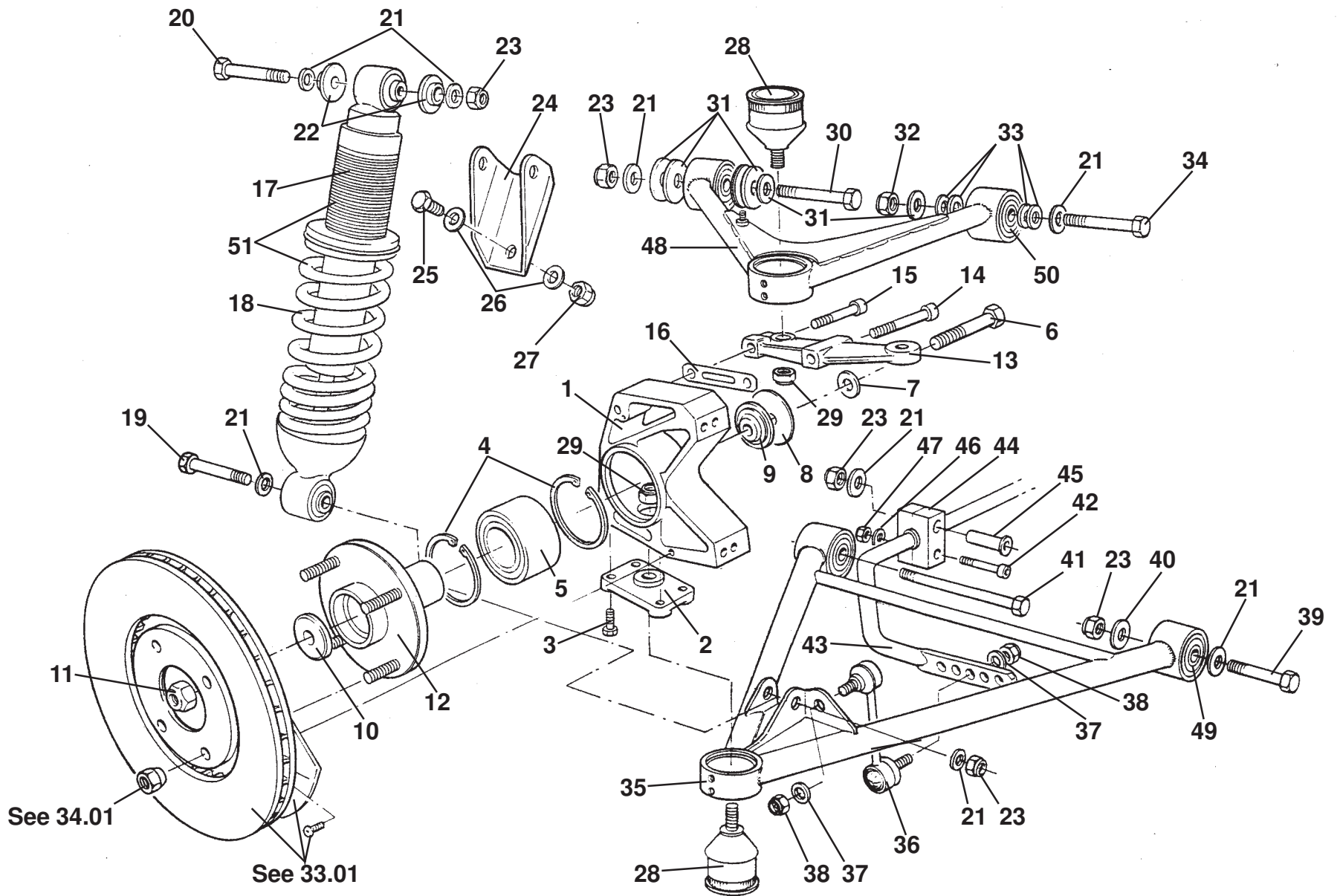
30.19

Service Parts List *EXIGE*



Function Code 30.19 Longerons

<u>Dep</u>	<u>Part Description</u>	<u>Remarks</u>	<u>Option</u>	<u>Part Number</u>	<u>Qty</u>
01	Longeron, RH			B111A0266F	1
02	Longeron, LH			B111A0267F	1
03	Boot Floor, alloy			G111A0059F	1
04	Boot Bulkhead, alloy			B111A0302F	1
05	Screw, M5 x 16, pan pozi., bulkhead to floor			A111W6593F	5
06	Washer, shakeproof, M5			A075W4045Z	5
07	Rivnut, M5 x 0.8, countersunk hd			A111W6566H	2
08	Rivnut, M6 x 1, countersunk hd.			A111W6536H	6
09	Pop Rivet, 6.4 x 20, boot floor to longeron			A111W6593F	6
10	Pop Rivet, 6.4 x 13, boot floor to longeron			A111W6594F	6



EXIGE
 31.01

Service Parts List *EXIGE*



Function Code 31.01 Front Suspension, Incl. Hubs

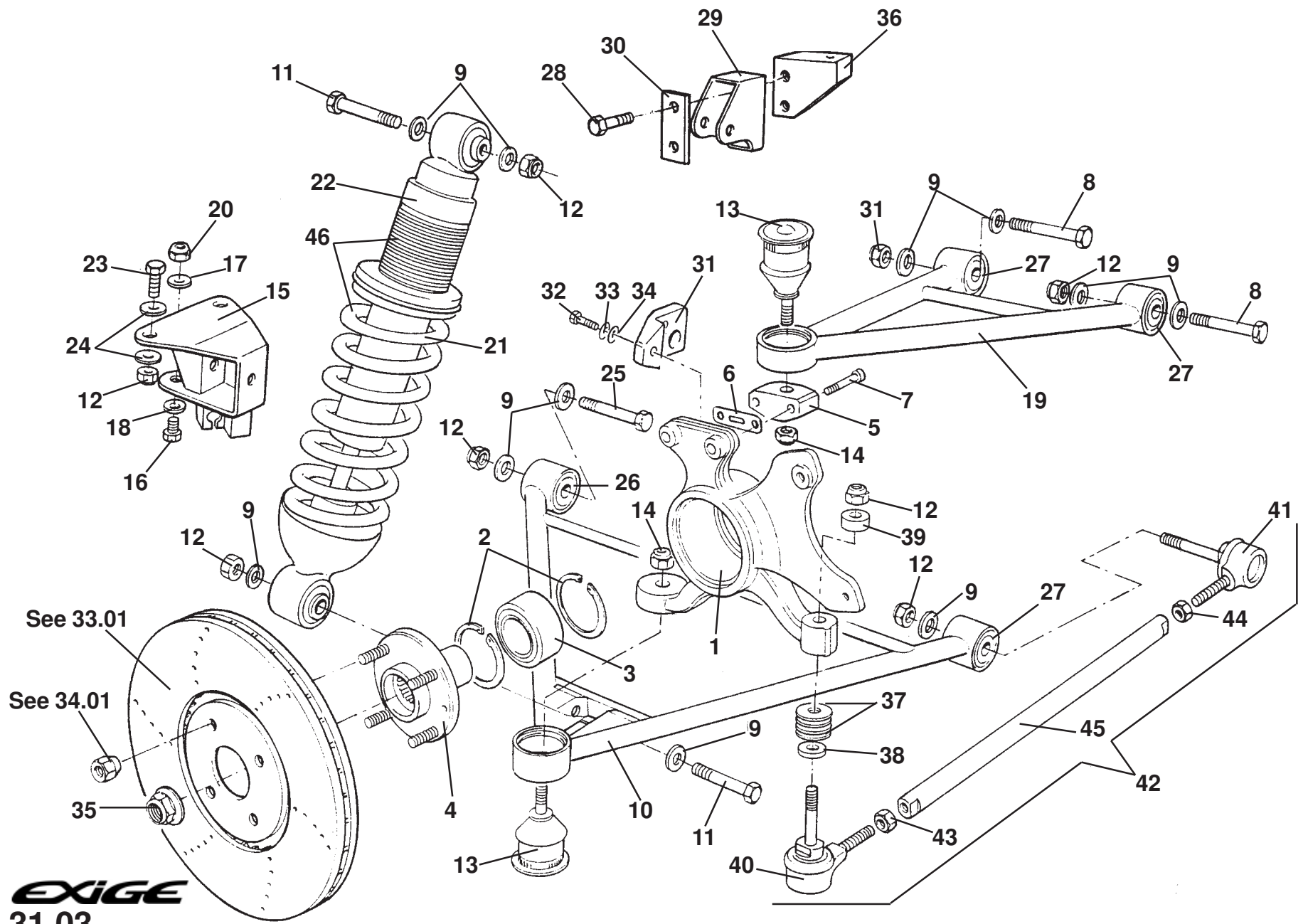
<u>Dep</u>	<u>Part Description</u>	<u>Remarks</u>	<u>Option</u>	<u>Part Number</u>	<u>Qty</u>
01	Hub Carrier Assembly, LH	Including bearing	F111C0029K R/B	A111C0141J	1
01a	Hub Carrier Assembly, RH	Including bearing	F111C0030K R/B	A111C0142J	1
02	Ball Joint Carrier, lower LH			B111C0043F	1
02a	Ball Joint Carrier, lower RH			B111C0042F	1
03	Screw, M10 x 30 hex hd., grade 8.8			A111W1158F	8
04	Circlip, dia 68 mm, bearing retention			A111C6016F	4
05	Bearing, double taper roller			A111C6002F	2
06	Bolt, M16 x 100, hex. hd., hub retention			A111W2185F	2
07	Washer, flat, M16 x 30 x 2, hub retention			A111W4171F	2
08	Dust Shield, hub bearing			B111C0076F	2
09	Thrust Washer, inner, hub retention			A111C0118F	2
10	Thrust Washer, outer, hub retention			A111C0117F	2
11	Nyloc Nut, M16, hub retention			A111W3159F	2
12	Hub Assembly	Includes studs, item 51		A111C6001F	2
13	Steering Arm, LH			A111C0143F	1
13a	Steering Arm, RH			A111C0144F	1
14	Bolt, M10 x 65, cap hd., steering arm to hub carrier			A111W7144F	2
15	Bolt, M10 x 45, cap hd., steering arm to hub carrier			A111W7155F	2

Function Code 31.01 Front Suspension, Incl. Hubs

<u>Dep</u>	<u>Part Description</u>	<u>Remarks</u>	<u>Option</u>	<u>Part Number</u>	<u>Qty</u>
16	Shim, 3mm, camber adjustment			C111C0064F	As req.
17	Damper			C111C0116S	2
18	Road Spring			A111C0146F	2
19	Bolt, M10 x 55, hex. hd., damper bottom fix.			A079W2057F	2
20	Bolt, M10 x 70, hex. hd., damper top fix.			A075W2058Z	2
21	Washer, flat, M10 x 20.5 x 1.8			A075W4024Z	22
22	Spacer, damper to top mounting bracket			A111C0061F	4
23	Nyloc Nut, M10			A100W3112F	12
24	Damper Mounting Bracket, LH			B111C0033F	1
24a	Damper Mounting Bracket, RH			B111C0034F	1
25	Bolt, M8 x 25, hex, hd., bracket to chassis			A111W1156F	4
26	Washer, flat, M8 x 16.6, bracket to chassis			A111W4164F	4
27	Nyloc Nut, M8, bracket to chassis			A075W3010Z	4
28	Ball Joint	Includes nyloc nut		B111C6012F	4
29	Nyloc Nut, ball joint fix			A111C6019S	4
30	Pivot Bolt, M10 x 80, hex. hd., wishbone upper front			A075W2061Z	2
31	Shim, castor adjustment			A111C0077F	6
32	Snubber Washer, rubber coated, upper wishbone			A111C0081F	2
33	Shim, castor adjustment, small			A111C0080F	8
34	Pivot Bolt, M10 x 75mm, hex. hd., wishbone upper rear			A075W2059Z	2
35	Wishbone Assembly, lower, LH	Includes balljoint & bushes		A111C0115J	1

Function Code 31.01 Front Suspension, Incl. Hubs

<u>Dep</u>	<u>Part Description</u>	<u>Remarks</u>	<u>Option</u>	<u>Part Number</u>	<u>Qty</u>
35a	Wishbone Assembly, lower, RH	Includes balljoint & bushes		A111C0114J	1
36	Anti-Roll Bar Drop Link			A111C0063F	2
37	Washer, flat, M10 x 24 x 1.5, drop link fix			A075W4023F	4
38	Nyloc Nut, M10 x 1.25, drop link fix			A111W3152F	2
39	Pivot Bolt, M10 x 85., hex. hd., wishbone to chassis			A079W2063F	2
40	Washer, flat, M10			A111W4163F	6
41	Pivot Bolt, , M10 x 130, hex. hd., wishbone lower front			A075W2065F	2
42	Bolt, M5 x 45, cap hd., A/R bar pivot block fix			A082W2106F	2
43	Anti-Roll bar, sport (adjustable)			A111C0134S	1
44	Mounting Clamp, nylon, A/R bar			B111C0052F	1
45	Bush, 'top hat', A/R bar nylon pivot block			A111C0060F	2
46	Washer, flat, M5 x 10 x 1.0			A075W4011Z	2
47	Nyloc Nut, M5, pivot block fix.			A100W3113F	2
48	Wishbone assembly, upper LH	Includes balljoint & bushes		A111C0113J	1
48a	Wishbone assembly, upper RH	Includes balljoint & bushes		A111C0112J	1
49	Bush, lower wishbone/ upper wishbone front pivots		A111C0075F R/B	A116C0068F	6
50	Bush, upper wishbone rear pivots			A111C0108F	2
51	Spring/Damper Assembly			A111C0147K	2



EXIGE
 31.03

Service Parts List **EXIGE**



Function Code 31.03 Rear Suspension, Incl. Hubs

<u>Dep</u>	<u>Part Description</u>	<u>Remarks</u>	<u>Option</u>	<u>Part Number</u>	<u>Qty</u>
01	Hub Carrier, forged steel, LH			A111D0143K	1
01a	Hub Carrier, forged steel, RH			B111D0142K	1
02	Circlip			A111C6016F	2
03	Bearing			A111C6002F	4
04	Hub Assembly			A111C6001F	2
05	Ball Joint Carrier			A111D0128S	2
06	Shim, camber adjustment			B111D0052F	As req.
07	Bolt, M10 x 50, cap hd., ball joint carrier to hub carrier			A111W7145F	4
08	Pivot Bolt, M10 x 55, hex. hd., upper wishbone F & R			A079W2057F	4
09	Washer, flat, M10 x 20.5	Zinc finish		A075W4024Z	22
10	Lower Wishbone Assembly, LH	Includes balljoint & bushes		A111D0087J	1
10a	Lower Wishbone Assembly, RH	Includes balljoint & bushes		A111D0088J	1
11	Bolt, M10 x 55, hex. hd., spring/damper fixing			A079W2057F	4
12	Nyloc Nut, M10			A100W3112F	18
13	Ball Joint	Includes nyloc nut		B111C6012F	4
14	Nyloc Nut, balljoint			A111C6019S	4
15	Bracket, lower wishbone to chassis, LH			B111D0027F	1
15a	Bracket, lower wishbone to chassis, RH			B111D0026F	1

EXIGE

Function Code: 31.03, Page: 1

Updated 1st August 2013

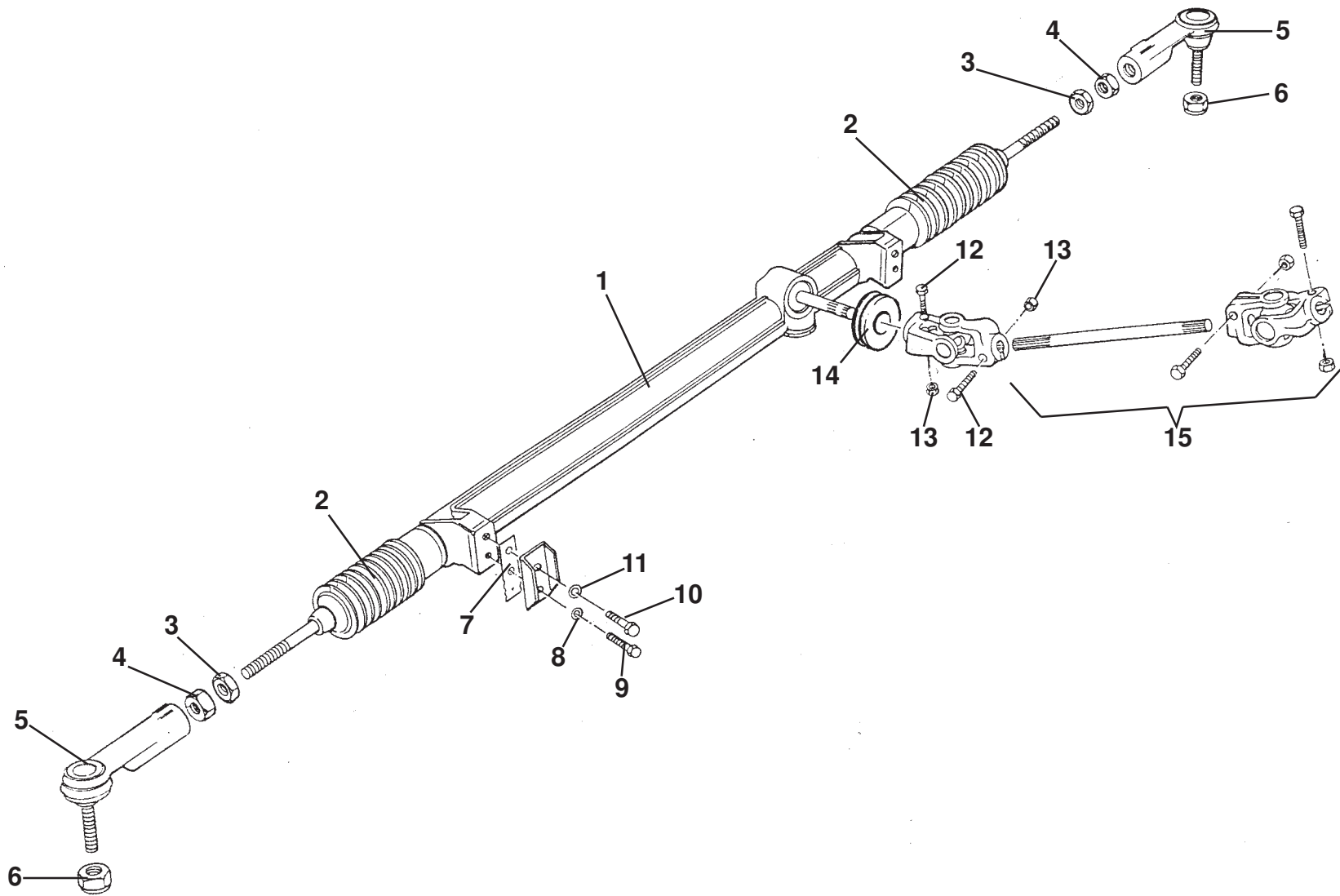
Function Code 31.03 Rear Suspension, Incl. Hubs

<u>Dep</u>	<u>Part Description</u>	<u>Remarks</u>	<u>Option</u>	<u>Part Number</u>	<u>Qty</u>
16	Bolt, M8, bracket to chassis			A111W1156F	4
17	Washer, flat, upper, M8 x 20.5 x 1.5 S/S			A111W4176F	4
18	Washer, flat, lower, M8 x 16.6 x1.4			A111W4164F	4
19	Upper Wishbone Assembly, LH	Includes balljoint & bushes		A111D0085J	1
19a	Upper Wishbone Assembly, RH	Includes balljoint & bushes		A111D0086J	1
20	Nyloc Nut, M8			A907E6284F	4
21	Road Spring			A111D0156F	2
22	Damper			B111D0089S	2
23	Screw, M10 x 25, hex. hd.,			A111W1157F	4
24	Washer, flat, M10			A111W4163F	8
25	Pivot Bolt, M10 x 65, hex. hd., lower wishbone front			A075W2056Z	2
26	Bush, lower wishbone front pivot (short)	2 per wishbone		A111D0061F	4
27	Bush, lower wishbone rear/upper wishbones		A111C0075F R/B	A116C0068F	6
28	Screw, M10 x 30, hex. hd., damper bracket to chassis			A111W1158F	4
29	Bracket, damper top mount			A111D0076F	2
30	Spreader Plate, damper bracket			A111D0125F	2
31	Speed Sensor Mounting Bracket, LH	Speedometer sensor		B111D0148F	1
31a	Speed Sensor Mounting Bracket, RH	ECM sensor		A111D0155F	1
32	Setscrew, M6 x 25, brackets fix.			A075W1029Z	2
33	Washer, spring, M6			A075W4035Z	2
34	Washer, flat, M6			A075W4013Z	2



Function Code 31.03 Rear Suspension, Incl. Hubs

<u>Dep</u>	<u>Part Description</u>	<u>Remarks</u>	<u>Option</u>	<u>Part Number</u>	<u>Qty</u>
35	Flange Nut, hub securing			A100R6002F	2
36	Adaptor Block, bracket to chassis, LH			A111A0003F	1
36a	Adaptor Block, bracket to chassis, RH			A111A0002F	1
37	Shim, 1mm, bump steer adjustment			A111D0044F	8
38	Spacer, 3mm, toe link to hub carrier			A111D0146F	2
39	Spacer, 10mm, toe link stud to nut			A111D0147F	2
40	Ball Joint, outer, RH thread			A111D0134F	2
41	Ball Joint, inner, LH thread			A111D0135F	2
42	Toe Link Assembly			C111D0037J	2
43	Locknut, M12, RH thread, ball joint to rod			A111W3150F	2
44	Locknut, M12, LH thread, ball joint to rod			A111W3149F	2
45	Toe Link Rod			A111D0137F	2
46	Spring/Damper Assembly	Not available use items 21 and 22		A111D0157K	2



EXIGE

32.01

Service Parts List **EXIGE**



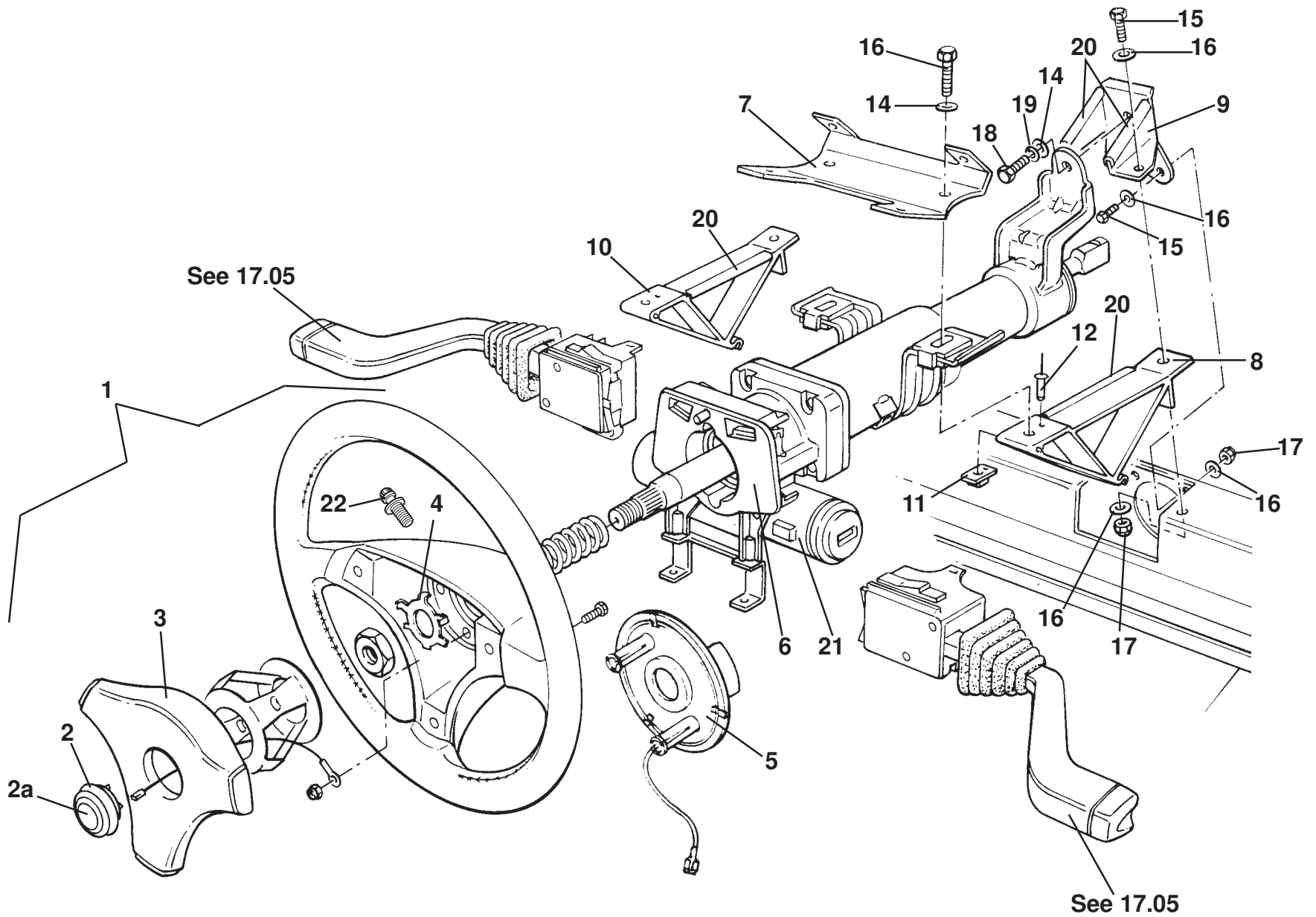
Function Code 32.01 Rack & Pinion, & Lower Column

<u>Dep</u>	<u>Part Description</u>	<u>Remarks</u>	<u>Option</u>	<u>Part Number</u>	<u>Qty</u>
01	Steering Rack Assembly, RHD		D111H0010F R/B	A117H0052F	1
01a	Steering Rack Assembly, LHD			D111H0009F	1
02	Gaiter, steering rack dia 32mm at rack end			B111H6016S	2
02a	Gaiter, steering rack, non-pinion end, dia 38mm at rack end	Steel rack tube		A120H6004S	1
02b	Gaiter, steering rack, pinion end, dia 45mm at rack end	Steel rack tube		A120H6005S	1
03	Lock Nut, half nut, M12 , track rod end to track rod			A111W3150F	2
04	Lock Nut, M12 , track rod end to track rod			A111W3124F	2
05	Track Rod End/Ball Joint	Includes nut, item: 6		A117H0009F	2
06	Nyloc Nut, M10, track rod end to steering arm			A111W3152F	2
07	Adjuster Plate, rack height setting (10 notch)			A111H0021F	2
08	Washer, flat, M8, rack mounting			A075W4020Z	2
09	Setscrew, M8 x 25, hex. hd., rack mounting			A082W1110F	2
10	Setscrew, M10 x 30, hex. hd., rack mounting			A100A6028F	2
11	Washer, flat, M10, rack mounting			A075W4024Z	2
12	Bolt, M8 x 40, hex. hd., 10.9 grade, steering shaft to U/J			A918E2171F	4
13	Nyloc Nut, M8, steering shaft to U/J			A075W3010Z	4
14	Grommet, steering shaft thro' bulkhead			A082H6046F	1
15	Intermediate Steering Shaft Assembly			D111H0003F	1

EXIGE

Function Code: 32.01, Page: 1

Updated 2nd February 2015



EXIGE
32.05

Updated 24th January 2013

Service Parts List **EXIGE**



Function Code 32.05 Upper Column, Steering Wheel

<u>Dep</u>	<u>Part Description</u>	<u>Remarks</u>	<u>Option</u>	<u>Part Number</u>	<u>Qty</u>
01	Steering Wheel Assembly		Blue alcantara crash pad	A340H0002K	1
01a	Steering Wheel Assembly		Red alcantara crash pad	A111H0031K	1
01b	Steering Wheel Assembly		Black alcantara crash pad	A111H0034K	1
01c	Steering Wheel Assembly		Silver alcantara crash pad	A111H0036K	1
02	Horn Push, (less badge)			A111H6021H	1
02a	Horn Badge			A111H6023H	1
03	Crash Pad, blue alcantara			A111V0690S	1
03a	Crash Pad, red alcantara			A111V0691S	1
03b	Crash Pad, black alcantara			A111V0692S	1
03c	Crash Pad, silver alcantara			A111V0693S	1
04	Lock Plate, steering wheel			A111H6009F	1
05	Horn Contact Plate			A111H6008F	1
06	Upper Steering Column	Includes ign. switch/steering lock		A111H6007F	1
07	Bracket, upper steering column			B111H0006F	1
08	Column Mounting Bracket, RH			A111A0098F	1
09	Bracket, forward column mounting			B111H0004F	1
10	Column Mounting Bracket, LH			A111A0097F	1
11	Nutplate, upper column support			B111H0007F	2

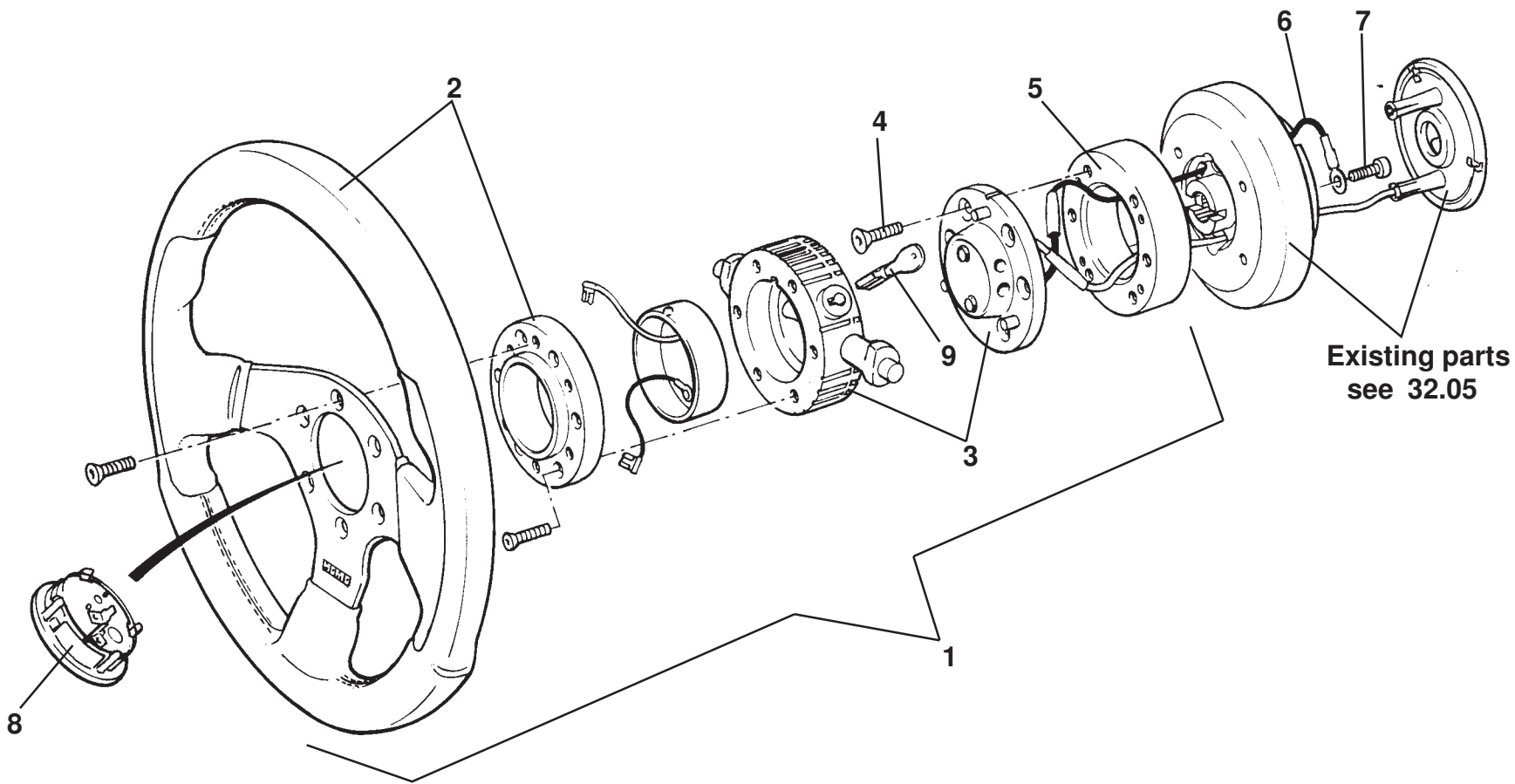
EXIGE

Function Code: 32.05, Page: 1

Updated 24th January 2013

Function Code 32.05 Upper Column, Steering Wheel

<u>Dep</u>	<u>Part Description</u>	<u>Remarks</u>	<u>Option</u>	<u>Part Number</u>	<u>Qty</u>
12	Pop Rivet, nutplate to bracket			A111W6586F	2
13	Bolt, M8 x 35, hex. hd., column to bracket			A075W2038D	2
14	Washer, flat, M8 x 20 x 2.5			A079W4019F	3
15	Setscrew, M6 x 16, side to forward brk/chassis			A075W1028Z	4
16	Washer, flat, M6 x 12.1 x 1.4			A075W4013Z	8
17	Nyloc Nut, M6			A907E6258F	4
18	Setscrew, M8 x 16 hex. hd., front mounting			A075W1036Z	1
19	Washer, spring, M8			A075W4036Z	1
20	Rubber Beading, bracket edge protection			B075U6054V	0.3M
21	Steering Lock Housing	Excluding lock barrel, see 10.17, item 1		A111H6003S	1
22	Shear Bolt, steering lock			A111H6026S	2
23	Splined Hub, steering wheel	Not illustrated, part of wheel assy., item 1		A111H6018S	1



EXIGE

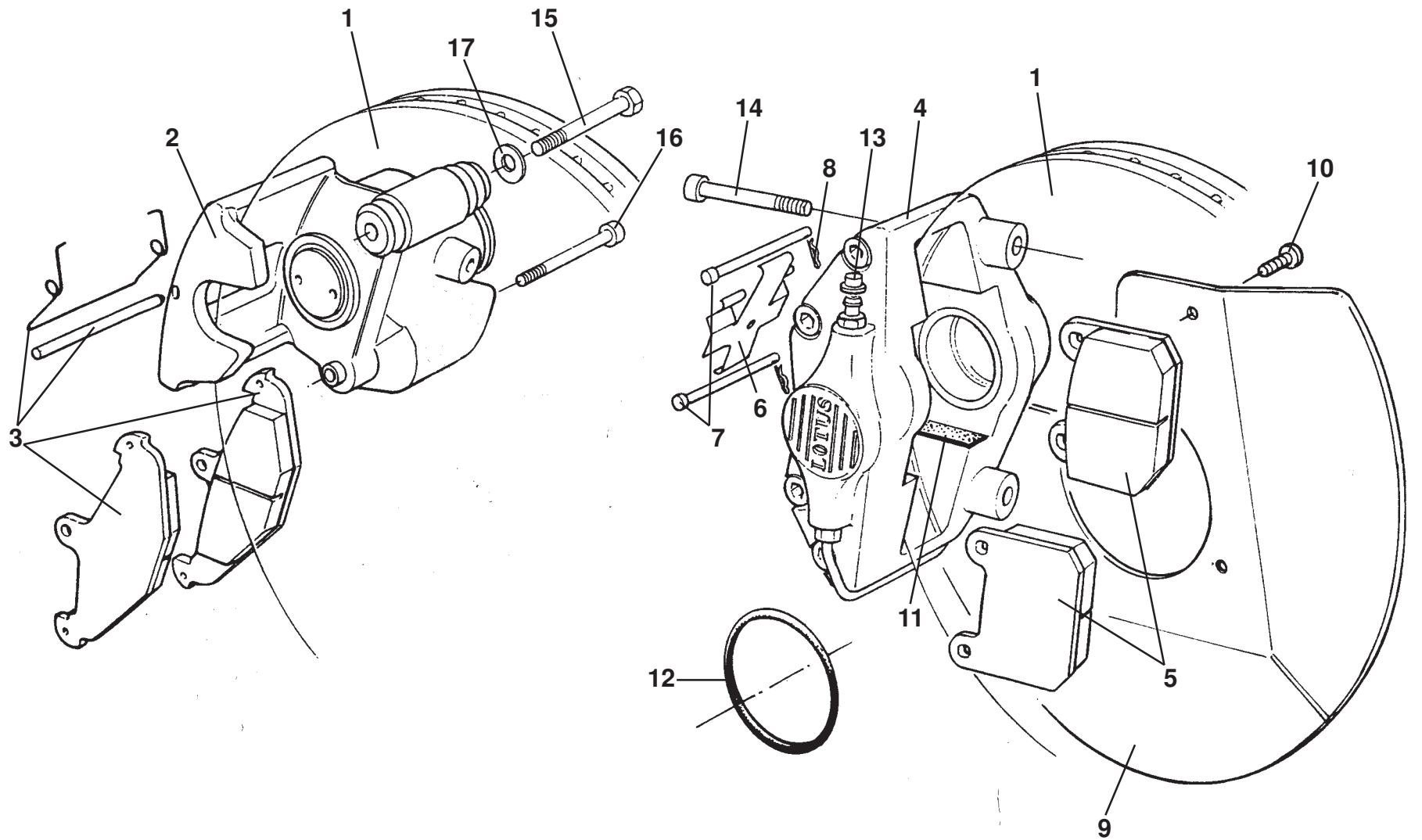
32.06

Service Parts List **EXIGE**



Function Code 32.06 Motorsport Steering Wheel Kit

<u>Dep</u>	<u>Part Description</u>	<u>Remarks</u>	<u>Option</u>	<u>Part Number</u>	<u>Qty</u>
01	Removeable Steering Wheel Kit, red	Track use only	MOTORSPORT	A111H0026J	1
01a	Removeable Steering Wheel Kit, black	Track use only	MOTORSPORT	A111H0027J	1
02	Steering Wheel, red	Track use only	MOTORSPORT	A111H6017S	1
02a	Steering Wheel, black	Track use only	MOTORSPORT	A111H6025S	1
03	Spacer, wheel to locking ring	Track use only	MOTORSPORT	A111H0025S	1
04	Locking Ring	Track use only	MOTORSPORT	A111H6019S	1
05	Screw, M6 x 20 skt. csk., spigot hub fix.	Track use only	MOTORSPORT	A918E7120F	6
06	Horn Earth Extension	Track use only	MOTORSPORT	A111H0114S	1
07	Screw, M6 x 20 cap hd., splined hub to spacer	Track use only	MOTORSPORT	A082W7041F	4
08	Horn Push, Lotus logo, double contact	Track use only	MOTORSPORT	A111M6024S	1



EXIGE
33.01

Service Parts List **EXIGE**



Function Code 33.01 Brake Discs, Calipers, & Parking Brake Assembly

<u>Dep</u>	<u>Part Description</u>	<u>Remarks</u>	<u>Option</u>	<u>Part Number</u>	<u>Qty</u>
01	Brake Disc			A111J0141F	4
02	Brake Caliper, rear, RH		A111J0148F R/B	A116J0080F	1
02a	Brake Caliper, rear, RH	No Pads		B116J0082S	1
02b	Brake Caliper, rear, LH		A111J0149F R/B	A116J0079F	1
02c	Brake Caliper, rear, LH	No Pads		B116J0081S	1
03	Brake Pad Set, rear			A117J0085S	1
04	Brake Caliper front, RH			A111J0120F	1
04a	Brake Caliper front, LH			A111J0119F	1
05	Brake Pad Set, front			A111J0168S	1
06	Anti-Rattle Spring, front brake pads			A111J0098F	2
07	Pin, front pad retaining			A111J0101S	4
08	'R' Clip, pin retention			A075W6175F	4
09	Brake Disc Shield, front, RH			A111J0126F	1
09a	Brake Disc Shield, front, LH			A111J0125F	1
10	Setscrew, M5 x 16, button hd., shield fixing			A111W7156F	6
11	Buffer, front brake pads			A111J6030S	4
12	'O' Ring, brake disc to hub			A111J6024F	4
13	Nipple Cover, front brake bleed			A111J6029F	2

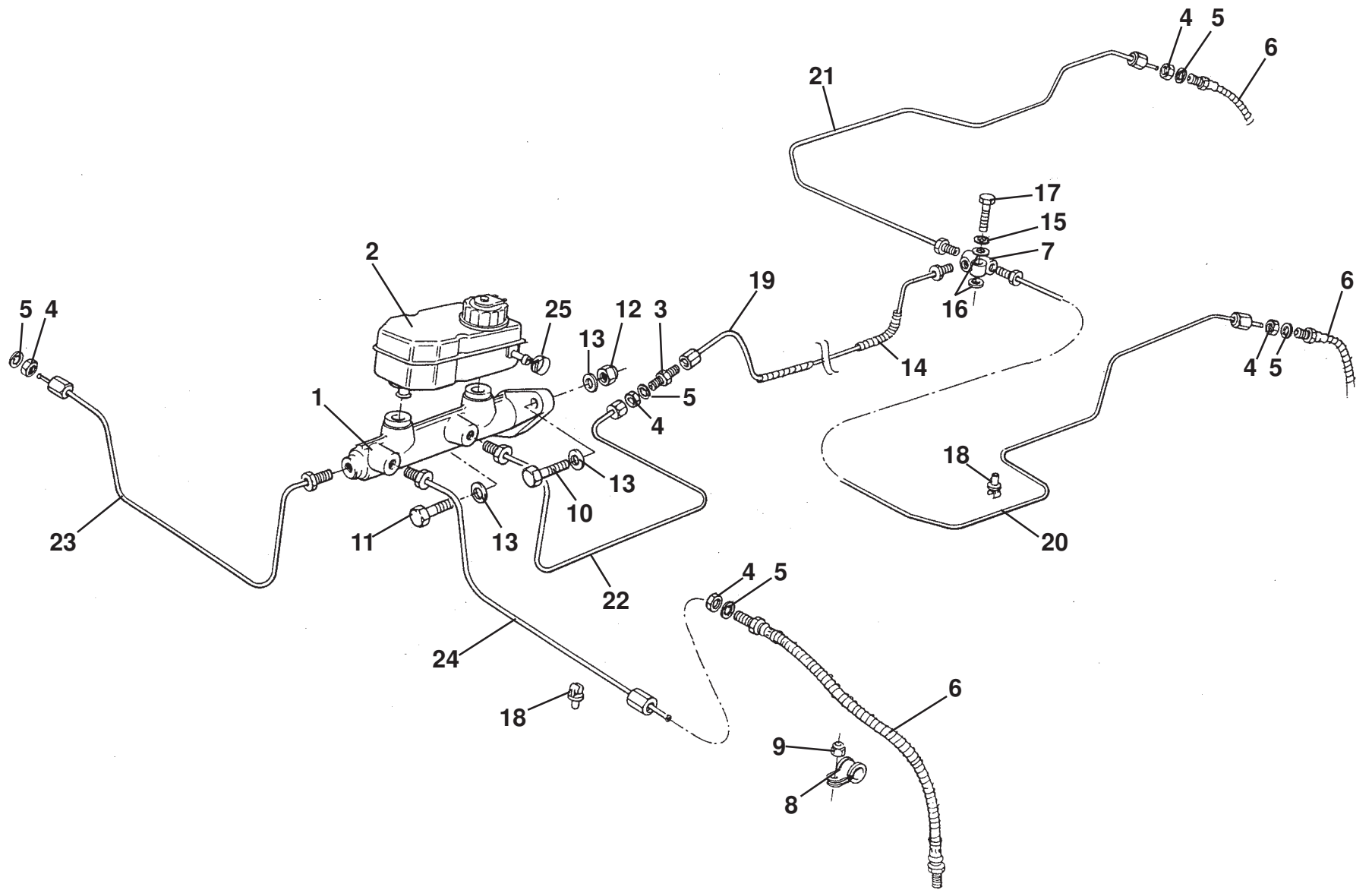
EXIGE

Function Code: 33.01, Page: 1

Updated 3rd April 2017

Function Code 33.01 Brake Discs, Calipers, & Parking Brake Assembly

<u>Dep</u>	<u>Part Description</u>	<u>Remarks</u>	<u>Option</u>	<u>Part Number</u>	<u>Qty</u>
14	Bolt. M10 x 75, cap hd., front caliper fixing			A111W7140F	4
15	Bolt, M10 x 80, hex. hd., rear caliper fixing			B082W1113F	2
16	Bolt, M8 x 60, cap hd., rear caliper fixing	Black finish	B082W1114F R/B	A111W1166F	2
17	Washer, flat, M10 x 20.5, rear caliper upper fixing bolt			A075W4024Z	2
18	Sliding Pin Bush Kit, rear calipers	Includes sleeves, boots & seals		A082J6162S	2
19	Piston Retraction Tool, rear calipers	Not illustrated		T000T1242F	1



EXIGE
 33.03

Service Parts List **EXIGE**



Function Code 33.03 Master Cylinder, Servo, ABS Controller, Pipes & Hoses

<u>Dep</u>	<u>Part Description</u>	<u>Remarks</u>	<u>Option</u>	<u>Part Number</u>	<u>Qty</u>
01	Tandem Master Cylinder			A111J0079F	1
02	Reservoir			A111J6002F	1
03	Bulkhead Connector			A089J6013F	1
04	Nut, M10 x 1.0, thin Zn			A075J6017Z	4
05	Washer, M10, internal shakeproof			A075W4049Z	4
06	Brake Hose, pipe to caliper, front & rear		A082J4390F R/B	A120J0044F	4
07	Connector Three Way, brakepipes			B075J6019F	1
08	Clip, 10dia. x 15 wide, hose retention	Upper front, lower rear wishbones		A111W6595F	4
09	Nyloc Nut, M6, thin Zn			A907E6285F	4
10	Setscrew, M8 x 25, master cylinder to pedal box			A075W1039Z	1
11	Setscrew, M8 x 20, master cylinder to pedal Box			A075W1038Z	1
12	Nyloc Nut, M8 , master cylinder to pedal pox			A111W3126F	1
13	Washer, flat, M8			A075W4020Z	3
14	Spirathene Protector, front to rear pipe			A111J6023V	800mm
15	Washer, spring, M6			A075W4035Z	1
16	Washer, flat M6 x 12.1 x 1.4			A075W4013Z	2
17	Bolt, M6 x 30, long hex. hd.			A075W2028Z	1
18	Nylon Clip			A075J6027Z	11

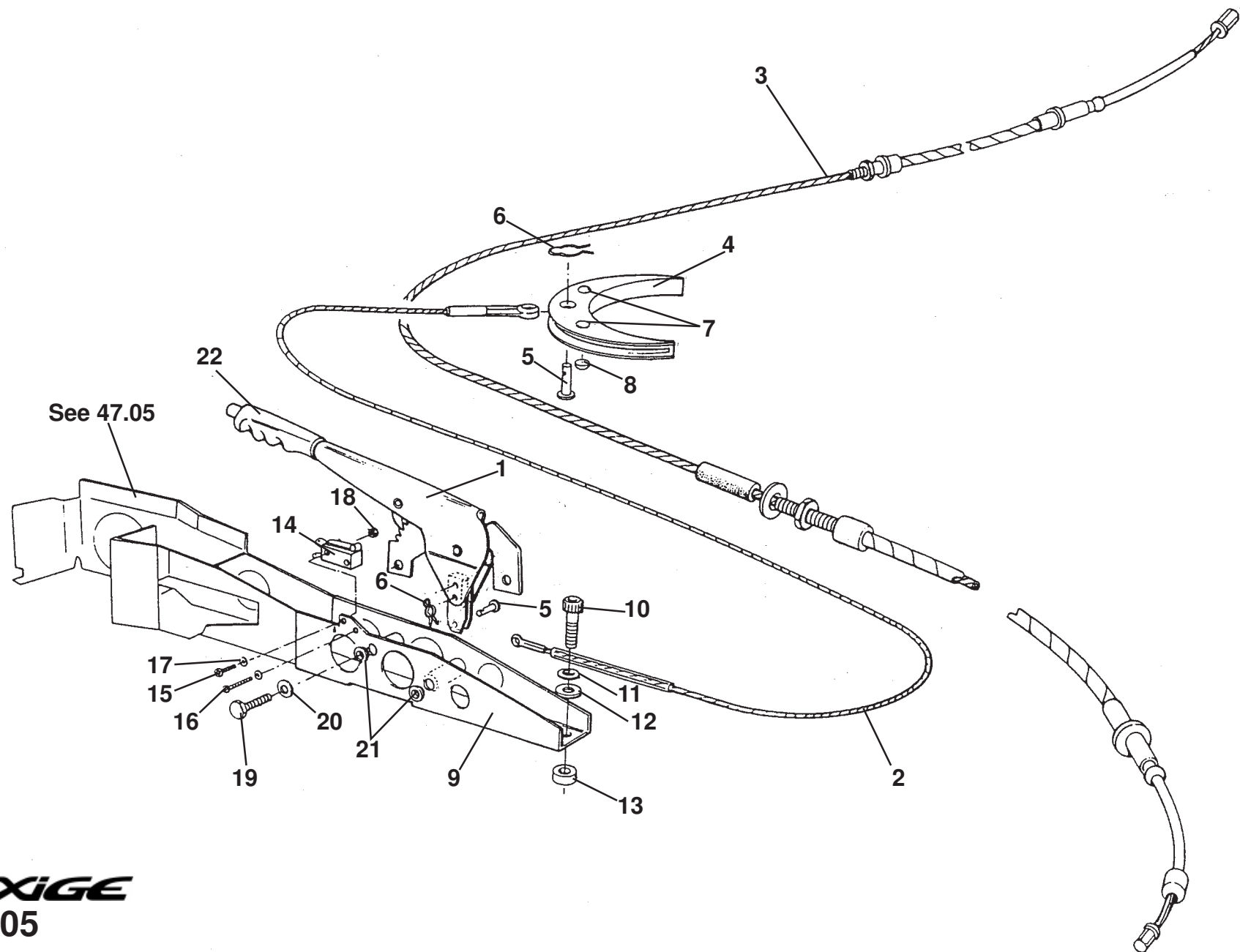
EXIGE

Function Code: 33.03, Page: 1

Updated 1st August 2014

Function Code 33.03 Master Cylinder, Servo, ABS Controller, Pipes & Hoses

<u>Dep</u>	<u>Part Description</u>	<u>Remarks</u>	<u>Option</u>	<u>Part Number</u>	<u>Qty</u>
19	Brake Pipe, front to rear			A111J0059F	1
20	Brake Pipe, rear LH			C111J0057K	1
21	Brake Pipe, rear RH			C111J0058K	1
22	Brake Pipe, front main RHD			B111J0060K	1
22a	Brake Pipe, front main LHD			B111J0061K	1
23	Brake Pipe, front RH, RHD		'B' level for AC cars	A111J0062F	1
23a	Brake Pipe, front RH, LHD			A111J0064F	1
24	Brake Pipe, front LH,RHD			A111J0063F	1
24a	Brake Pipe, front LH, LHD			B111J0065F	1
25	Hose Clip, reservoir to clutch master cyl. pipe			TBA	1



EXIGE
33.05

Service Parts List *EXIGE*

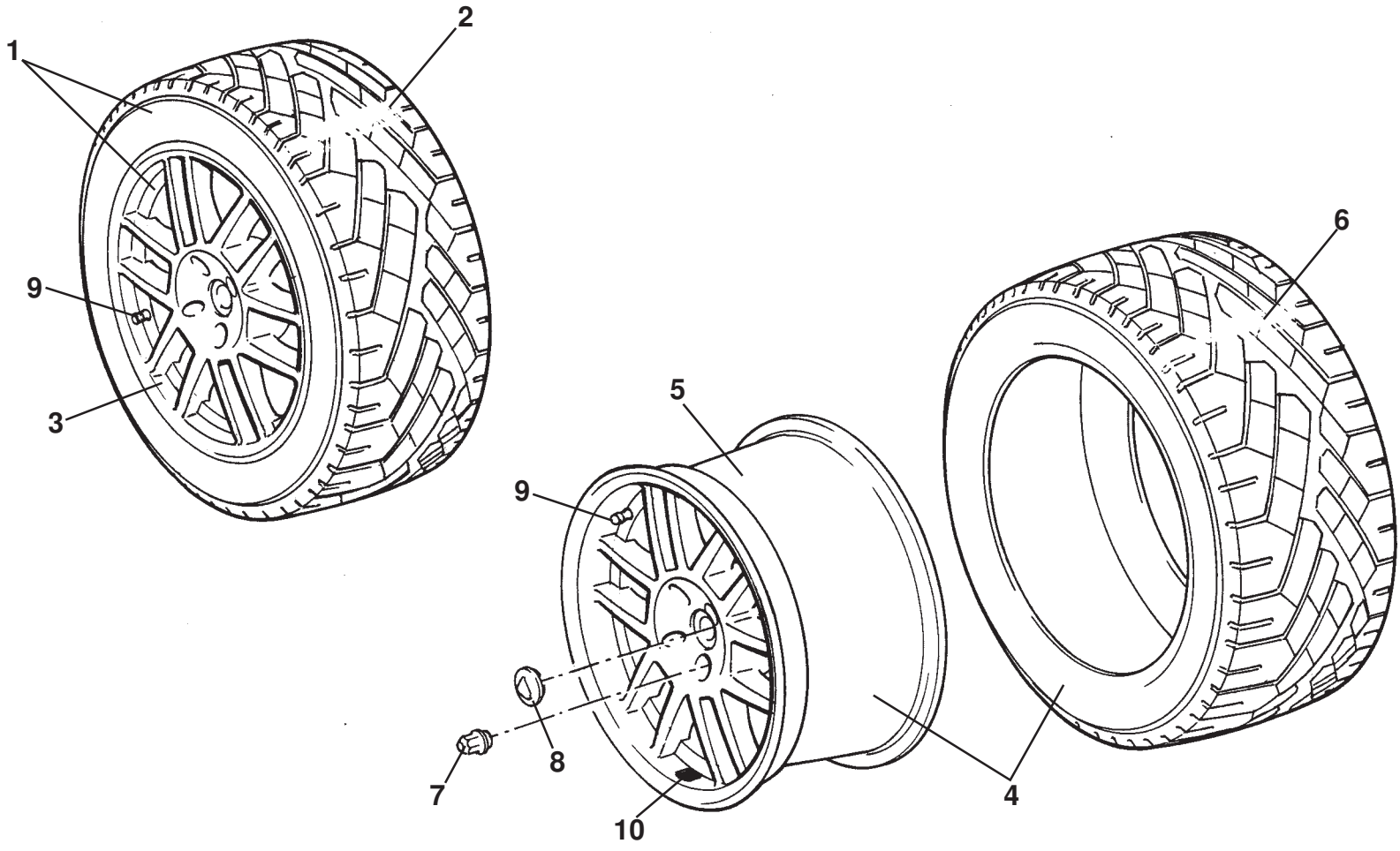


Function Code 33.05 Parking Brake Mechanism

<u>Dep</u>	<u>Part Description</u>	<u>Remarks</u>	<u>Option</u>	<u>Part Number</u>	<u>Qty</u>
01	Parking Brake Assembly			A111J0002J	1
02	Cable, parking brake primary			B111J0025F	1
03	Cable, parking brake secondary			B111J0024F	1
04	Equaliser, handbrake			A111J6014H	1
05	Clevis Pin, dia 8 x 10.5		A111J0026F R/B	A111W6674F	2
06	'R' Clip			A075W6175F	2
07	Bumper, self adhesive			A111J6025F	2
08	Bumper, self adhesive			A111J6027F	2
09	Mounting Channel, parking brake assembly			C111J0027F	1
10	Screw, M8 x 30, cap hd.			A089W7052F	2
11	Washer, spring M8			A075W4036Z	2
12	Washer, flat M8 x 16.6 x 1.4			A075W4020Z	2
13	Spacer, parking brake channel to floor			A111J0030K	2
14	Switch, parking brake tell tale			A111M6025F	1
15	Screw, M3 x 16 pan hd. pozi.			A082W5110F	1
16	Screw, M3 x 20 pan hd. pozi.			A082W5163F	1
17	Washer, flat M3 x 7			A100W4125F	2
18	Nyloc Nut, M3			A079W3060F	2

Function Code 33.05 Parking Brake Mechanism

<u>Dep</u>	<u>Part Description</u>	<u>Remarks</u>	<u>Option</u>	<u>Part Number</u>	<u>Qty</u>
19	Screw, M8 x 25 hex. thn. hd.			A075W1081Z	2
20	Washer, spring, M8			A075W4036Z	2
21	Bush, parking brake			A111J0028K	2
22	Hand-Grip, parking brake lever			A111J6037S	1



EXIGE

34.01

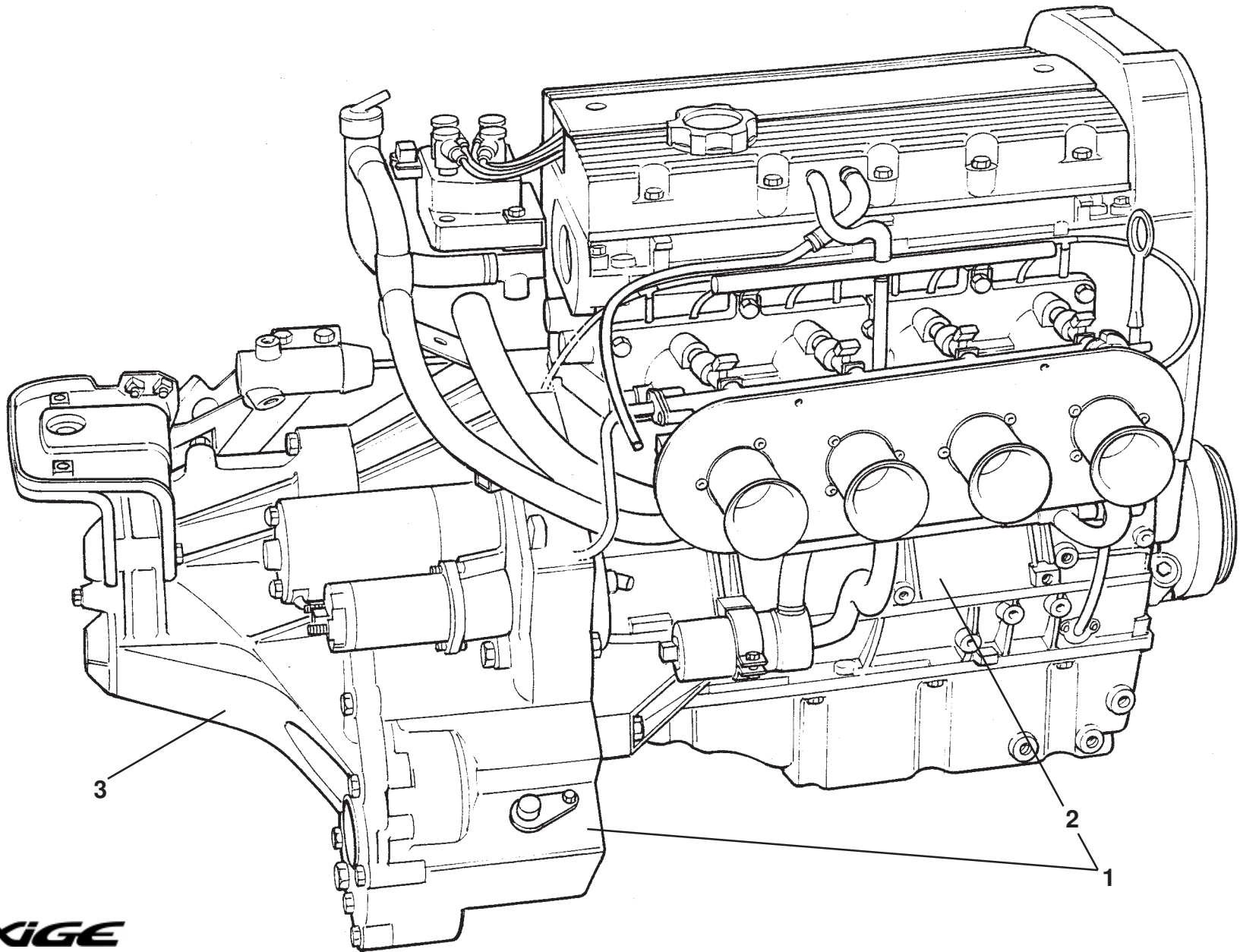
Service Parts List **EXIGE**



Function Code 34.01 Wheels, Tyres & Valves

<u>Dep</u>	<u>Part Description</u>	<u>Remarks</u>	<u>Option</u>	<u>Part Number</u>	<u>Qty</u>
01	Wheel & Tyre Assy., front, LH			A111G0039F	1
01a	Wheel & Tyre Assy., front, RH			A111G0038F	1
02	Tyre, front, 195/50 R16, Yokohama A039			A111G6050L	2
03	Road Wheel, front, 7J x 16			A111G0042F	2
04	Wheel & Tyre Assy., rear, LH			A111G0041F	1
04a	Wheel & Tyre Assy., rear, RH			A111G0040F	1
05	Road Wheel, rear, 8.5J x 17			A111G0043F	2
06	Tyre, rear, 225/45 R17, Yokohama A039			A111G6051L	2
07	Wheel Nut, black			A111G6054F	16
08	Wheel Centre Cover, Lotus badge			A082G4112F	4
09	Tyre Valve			A111G6002H	4
10	Balance Weight, black			A111G6055F	As req.

NOTE: Exige wheels are not to be fitted to other Elise models



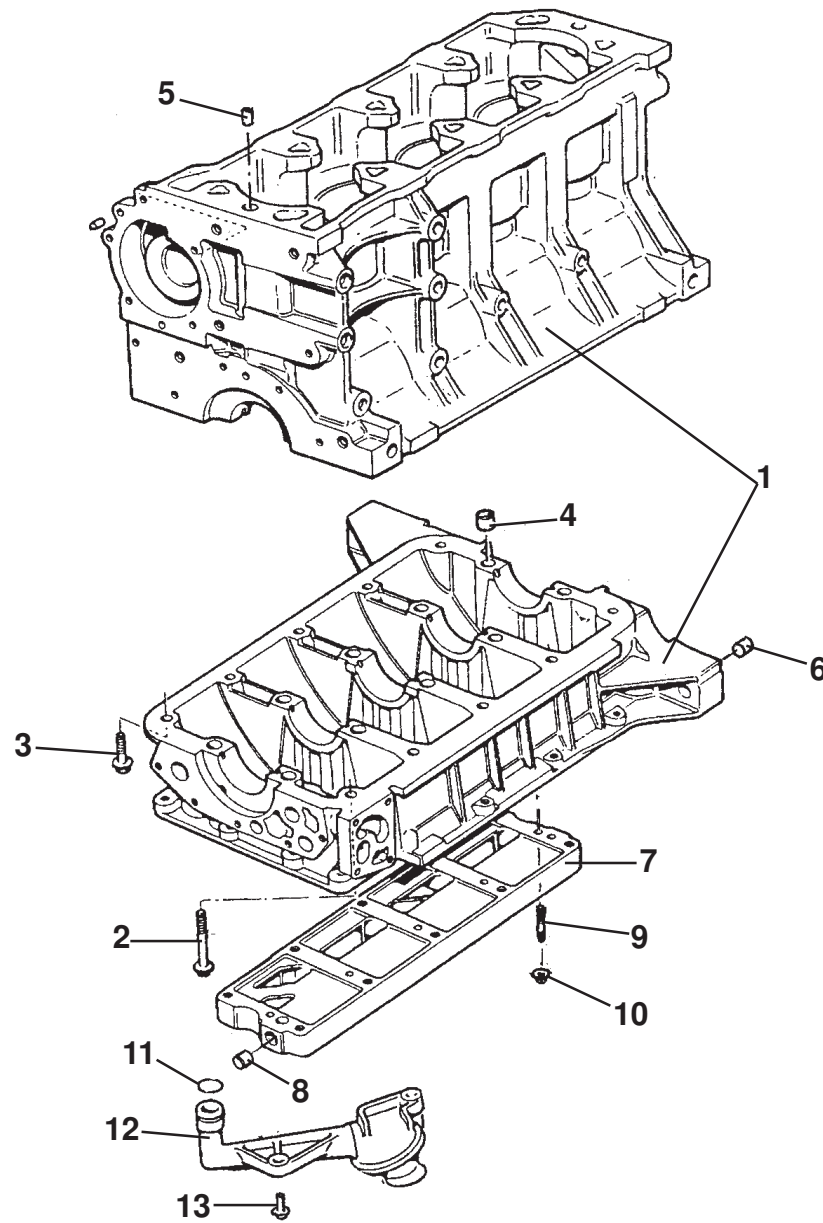
EXIGE
40.00

Service Parts List *EXIGE*



Function Code 40.00 Engine Assemblies

<u>Dep</u>	<u>Part Description</u>	<u>Remarks</u>	<u>Option</u>	<u>Part Number</u>	<u>Qty</u>
01	Engine & Transmission Assembly	Includes fitting kit		A340E6001F	1
02	Engine Assembly, dressed	Including clutch & ancillaries	Heater cars	A340E6005F	1
02a	Engine Assembly, dressed, AC	Including clutch, AC pump & ancillaries	AC cars	A111E0078S	1
02b	Engine Assembly, undressed		Common, 340R	A111E0079S	1
03	Transmission Assembly			A111F0034S	1



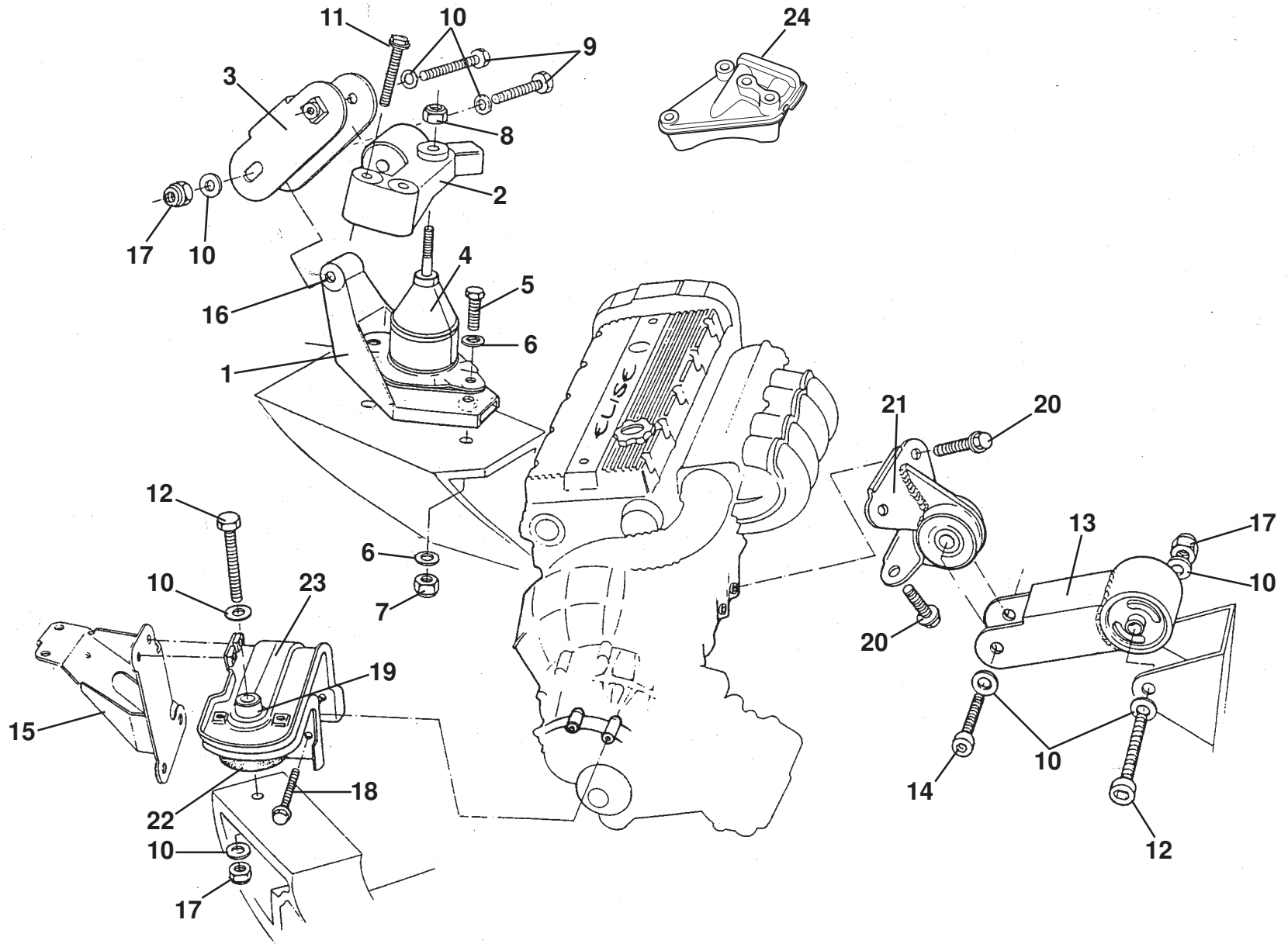
EXIGE
40.01

Service Parts List **EXIGE**



Function Code 40.01 Engine Block & Oil Pick up

<u>Dep</u>	<u>Part Description</u>	<u>Remarks</u>	<u>Option</u>	<u>Part Number</u>	<u>Qty</u>
01	Cylinder Block Assembly	Includes bearing ladder		A111E6185S	1
02	Bolt, ladder to Block			A111E6186S	1
03	Screw, ladder to block			A111E6187S	9
04	Dowel, ladder to block			A111E6188S	2
05	Dowel, block to head			A111E6175S	2
06	Dowel, block to gearbox			A111E6189S	2
07	Rail, oil feed			A111E6190S	1
08	Core Plug			A111E6191S	2
09	Stud, rail to ladder			A111E6192S	2
10	Nut, rail fixing			A111E6193S	2
11	'O' Ring. oil pick-up pipe seal	Also see 40.02		A111E6066S	1
12	Oil Pick-Up Pipe			A111E6167S	1
13	Bolt, oil pick-up pipe fix.			A111E6168S	1

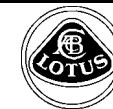


EXIGE

40.01a

Updated 24th January 2013

Service Parts List **EXIGE**



Function Code 40.01a Engine Mounts

<u>Dep</u>	<u>Part Description</u>	<u>Remarks</u>	<u>Option</u>	<u>Part Number</u>	<u>Qty</u>
01	Bracket, engine upper mount, chassis RH			D111E0004F	1
02	Bracket, engine upper mount, engine RH			A111E6027F	1
03	Engine Steady Arm, upper			A111E6014F	1
04	Hydromount Assembly			A111E6002F	1
05	Bolt, M10 x 45			A111W2175F	2
06	Washer, M10 x 20.5			A111W4163F	4
07	Nyloc Nut, M10			A100W3112F	2
08	Nut, M12 x 1.75			A111W3155F	1
09	Bolt, M12 x 70			A100D6023F	2
10	Washer, flat, M12			A075W4028Z	9
11	Bolt, M14 x 2 x 80			A111E6008Z	2
12	Bolt, M12 x 90			A075W2073F	2
13	Engine Steady Arm, lower			A111E6029F	1
14	Bolt, M12 x 60			A075W2070Z	1
15	Mounting Leg, clutch slave cylinder			A111E6139S	1
16	Bush, steady arm to mount			A111E6016F	1
17	Nyloc Nut, M12			A075W3012Z	4
18	Bolt, M10, flg. hd.			A111E6137S	2

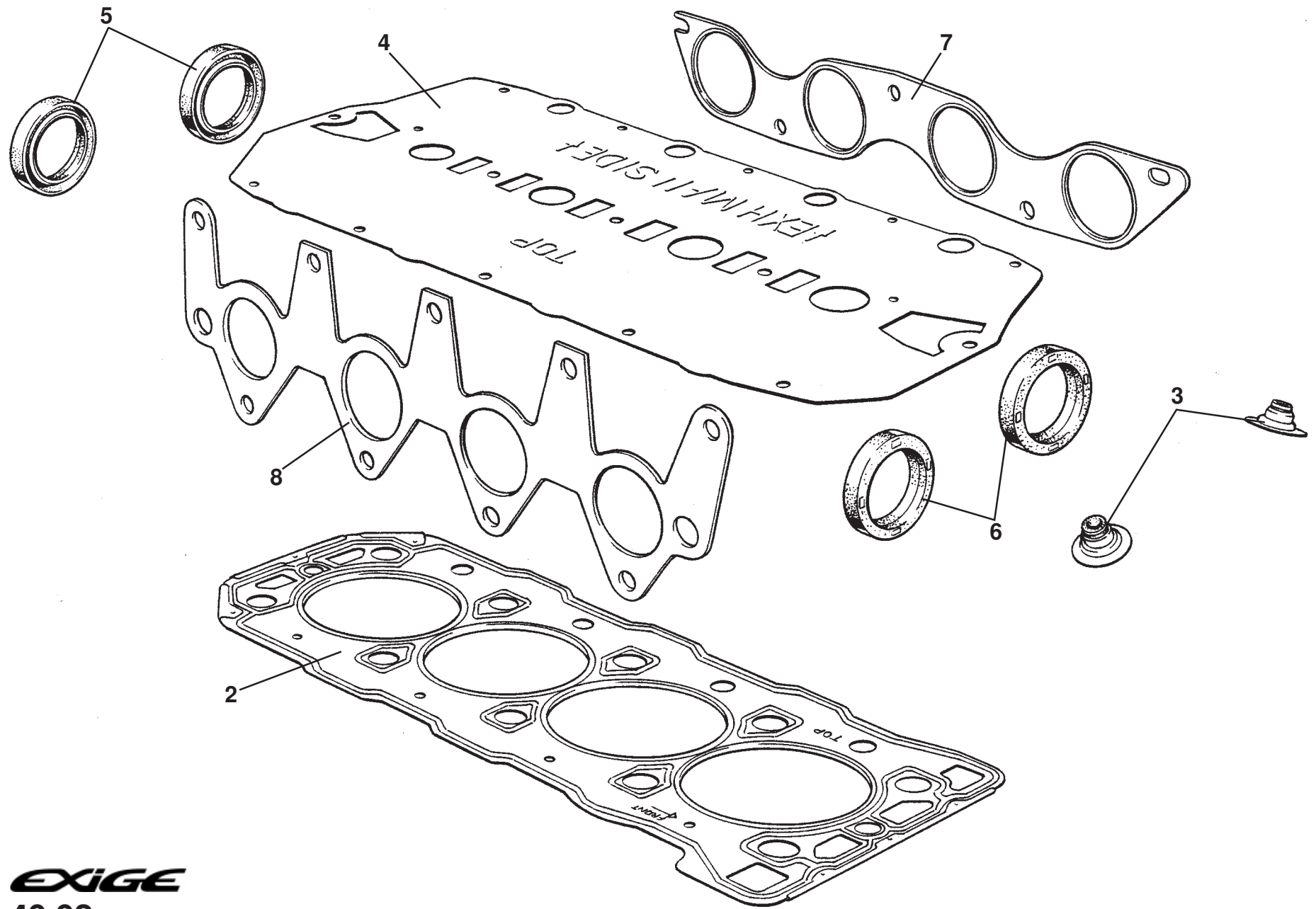
EXIGE

Function Code: 40.01a, Page: 1

Updated 24th January 2013

Function Code 40.01a Engine Mounts

<u>Dep</u>	<u>Part Description</u>	<u>Remarks</u>	<u>Option</u>	<u>Part Number</u>	<u>Qty</u>
19	Spacer, engine mounting to chassis			A111F6002F	1
20	Screw, flanged head			A111E6134S	4
21	Bracket, steady arm to engine			A111E6133S	1
22	Engine/Transmission Mounting, LH			A111F6186F	1
23	Bracket, engine/transmission mounting, LH			A111E6136S	1
24	Bracket, head to RH mount			A111E6460S	1



EXIGE
40.02

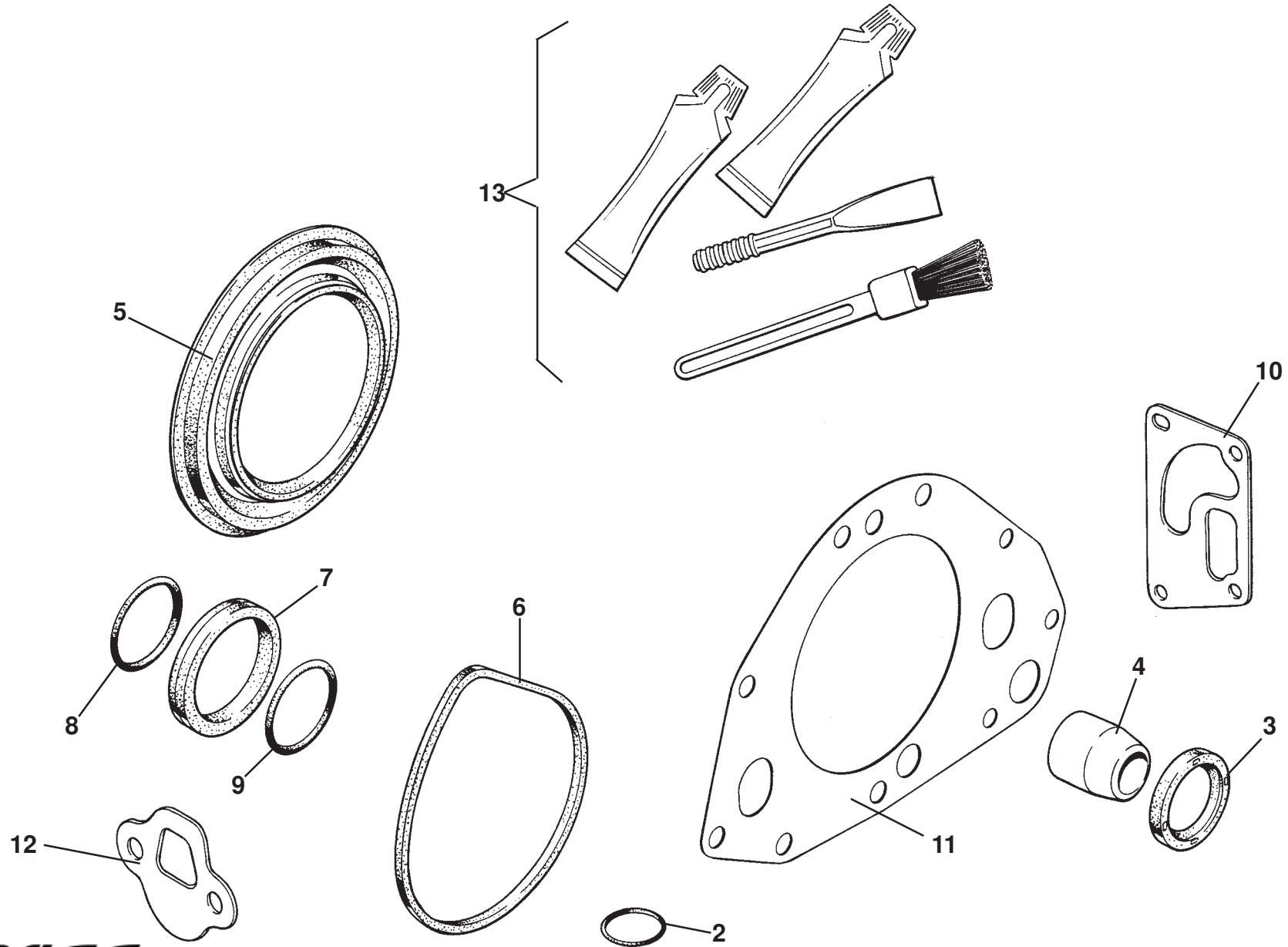
Service Parts List **EXIGE**



Function Code 40.02 Gaskets & Sealants, Top Overhaul Set

<u>Dep</u>	<u>Part Description</u>	<u>Remarks</u>	<u>Option</u>	<u>Part Number</u>	<u>Qty</u>
01	Head Gasket Kit, upgraded*	Comprises items 2a to 8 + oil rail	Common*	A117E6114S	1
02	Gasket, cylinder head	Also see 40.05		A111E6103S	1
02a	Gasket, cylinder head, multi-layer with steel shim	Supplied as P/O kit item 1*			1
03	Oil seal, valve stem	Also see 40.05		A111E6171S	16
04	Gasket, cam cover	Also see 40.07		A111E6052S	1
05	Oil Seal, camshaft, rear, red	Also see 40.07		A111E6271S	2
06	Oil Seal, camshaft, front, black	Also see 40.07		A111E6272S	2
07	Gasket, exhaust manifold			A111E6051S	1
08	Gasket, inlet manifold			A111E6323S	1
09	Liquid Sealant, cam carrier to head	Not illustrated, also bearing hsg. to block		A111E6172S	1

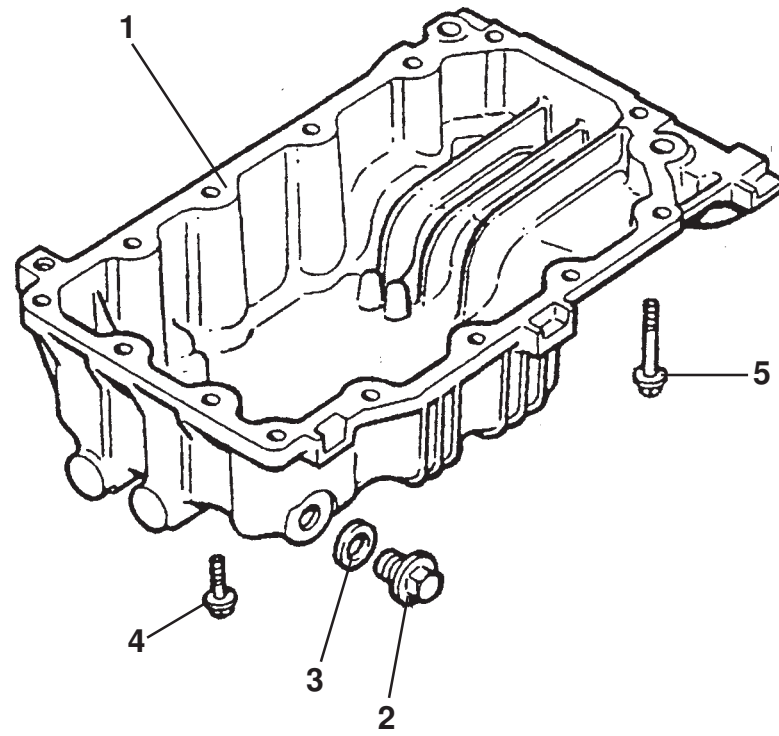
* See Service Bulletin 2010/04



EXIGE
40.02a

Function Code 40.02a Gaskets & Sealants, Bottom Overhaul Set

Dep	Part Description	Remarks	Option	Part Number	Qty
01	Bottom Overhaul Gasket Set	Comprises items 2 to 12		A111E6050S	1
02	'O' Ring, oil pick-up pipe	Also see 40.01		A111E6066S	1
03	Oil Seal, crankshaft front	Also see 40.11		A111E6054S	1
04	Fitting Tool, oil seal	Supplied with seal		not listed	1
05	Oil seal, crankshaft rear	Also see 40.11		A111E6057S	1
06	Gasket, water pump	Also see 40.13		A111E6080S	1
07	Sealing Ring, thermostat to housing	Also see 40.13		A111E6084S	1
08	'O' Ring, thermostat housing to engine	Also see 40.13		A111E6067S	1
09	'O' Ring, thermostat housing	Also see 40.13		A111E6067S	1
10	Gasket, oil filter housing	Also see 40.15		A111E6101S	1
11	Gasket, oil pump	Also see 40.15		A111E6053S	1
12	Gasket, dip stick tube	Also see 40.15		A111E6009F	1
13	Liquid Gasket Kit, for sump			A111E6048S	1
14	Liner Sealant	Not illustrated		A918E6069V	1



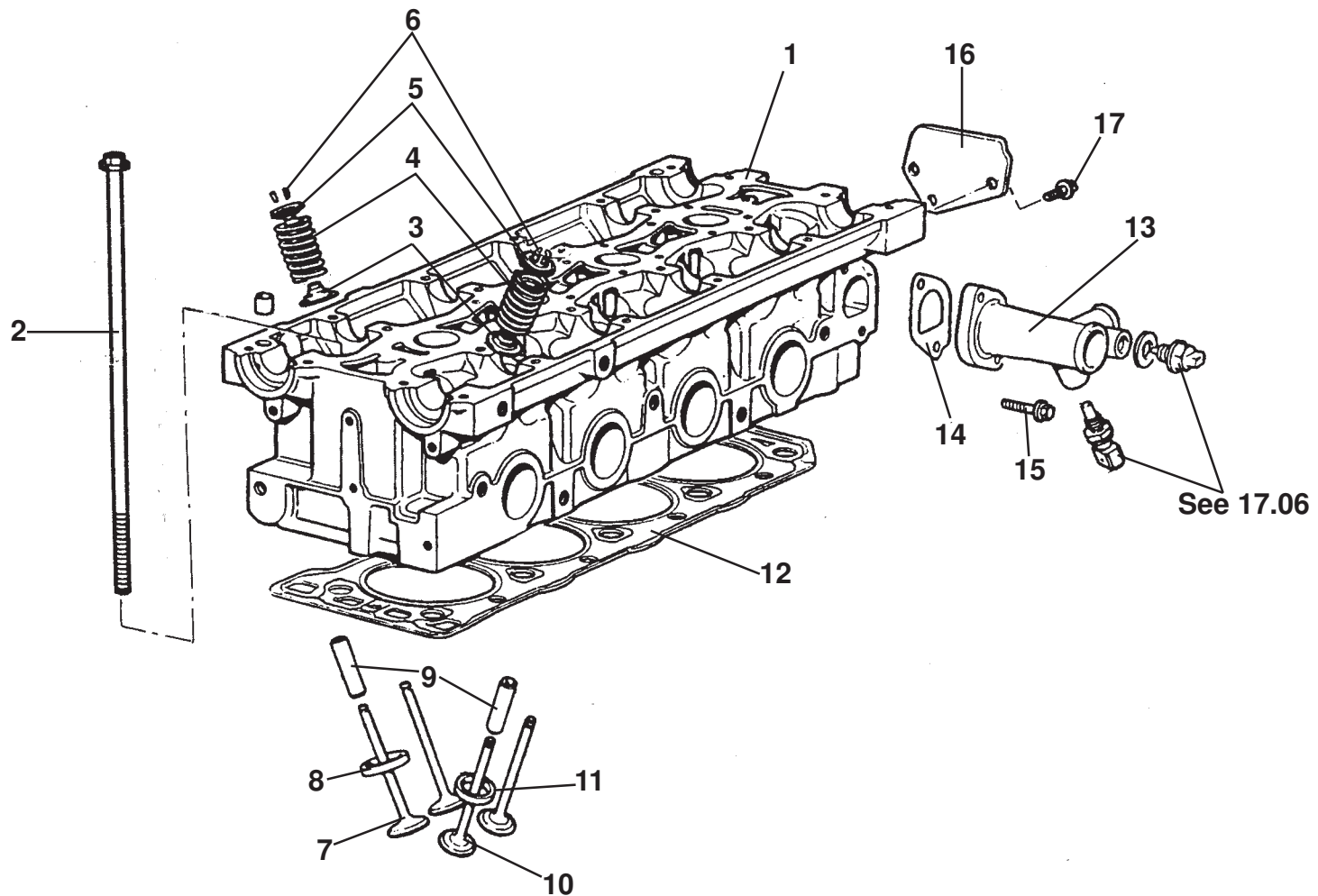
EXIGE
40.03

Service Parts List **EXIGE**



Function Code 40.03 Sump Assembly

<u>Dep</u>	<u>Part Description</u>	<u>Remarks</u>	<u>Option</u>	<u>Part Number</u>	<u>Qty</u>
01	Oil Sump			A111E6089S	1
02	Sump Plug			A111E6077S	1
03	Washer, sump plug			A111E6035S	1
04	Fixing Bolt (short)		A111E6187S R/B	B111E6187S	12
05	Fixing Bolt (long)			A111E6343S	2
06	Sealant, Three Bond 1133E, sump to bearing ladder	Not illustrated	A111E6172S R/B	A117E6102S	1



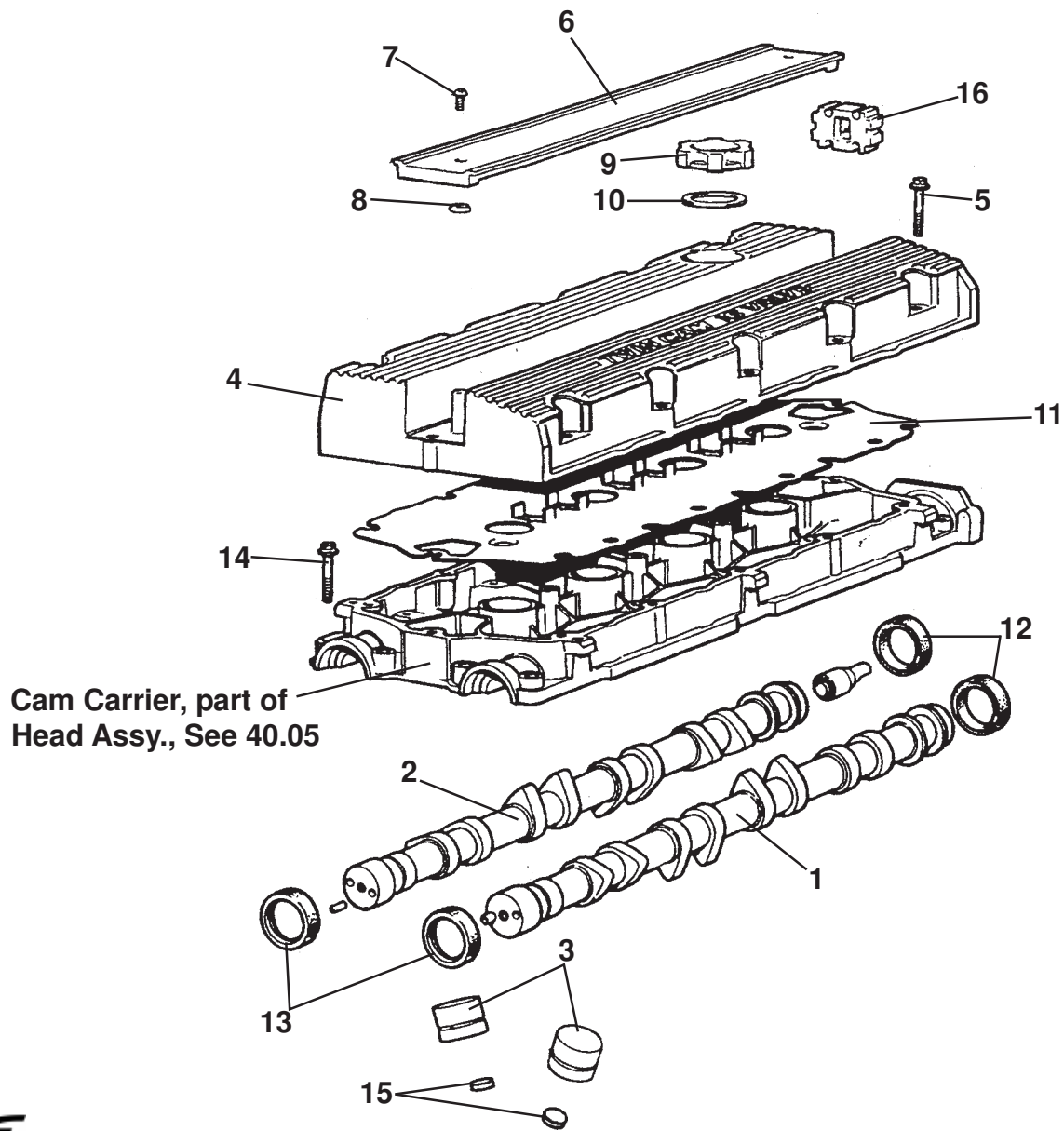
EXIGE
40.05

Service Parts List **EXIGE**



Function Code 40.05 Cylinder Head , Valves, Springs

<u>Dep</u>	<u>Part Description</u>	<u>Remarks</u>	<u>Option</u>	<u>Part Number</u>	<u>Qty</u>
01	Cylinder Head Assembly			A111E6247S	1
02	Bolt, cylinder head fixing			A111E6111S	10
03	Spring Seat/Stem Seal			A111E6171S	16
04	Valve Spring			A111E6251S	16
05	Valve Spring Cap			A111E6250S	16
06	Valve Collet			A111E6110S	32
07	Inlet Valve			A111E6313S	8
08	Valve Seat Insert, Inlet			A111E6308S	8
09	Valve Guide, Standard			A111E6306S	16
09a	Valve Guide, oversize, grooved/stepped			A111E6307S	16
10	Exhaust Valve			A111E6314S	8
11	Valve Seat Insert, exhaust			A111E6309S	8
12	Gasket, cylinder head	See 40.02			1
13	Outlet Spout			A111E6407S	1
14	Gasket, outlet spout			A111E6087S	1
15	Setscrew, spout to head			A111E6168S	2
16	Camshaft Blanking Plate			A111E6020S	1
17	Screw, plate to head			A111E6021S	2



EXIGE
40.07

Service Parts List **EXIGE**



Function Code 40.07 Camshafts, Tappets, Cam Cover

<u>Dep</u>	<u>Part Description</u>	<u>Remarks</u>	<u>Option</u>	<u>Part Number</u>	<u>Qty</u>
01	Exhaust Camshaft			A111E6253S	1
02	Inlet Camshaft			A111E6252S	1
03	Tappet			A111E6248S	16
04	Camshaft Cover			A111E6174S	1
05	Bolt, cam cover to head			A111E6160S	15
06	Spark Plug Cover, black			A111U0520S	1
07	Screw, spark plug cover to head			A111W5210F	2
08	Retainer, screw, cover fixing			A111W6540F	2
09	Oil Filler Cap			A111E6039S	1
10	Seal, oil filler cap			A111E6056S	1
11	Gasket, camshaft cover	Also see 40.02		A111E6052S	1
12	Oil Seal, camshaft, rear, brown	Also see 40.02		A111E6271S	2
13	Oil Seal, camshaft, front, black	Also see 40.02		A111E6272S	2
14	Bolt, flg. hd., cam carrier to head			A111E6311S	20
15	Shim, tappet adjusting, 0.105"			A111E6421S	As req.
15a	Shim, tappet adjusting, 0.106"			A111E6422S	As req.
15b	Shim, tappet adjusting, 0.107"			A111E6423S	As req.
15c	Shim, tappet adjusting, 0.108"			A111E6424S	As req.

EXIGE

Function Code: 40.07, Page: 1

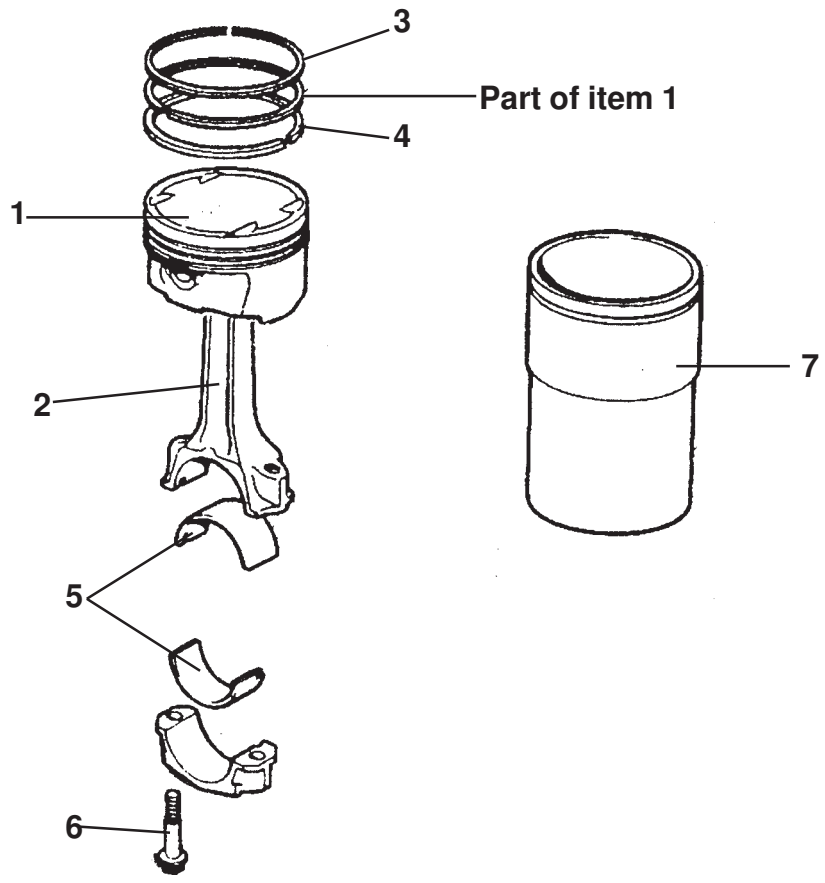
Updated 2nd February 2015

Function Code 40.07 Camshafts, Tappets, Cam Cover

<u>Dep</u>	<u>Part Description</u>	<u>Remarks</u>	<u>Option</u>	<u>Part Number</u>	<u>Qty</u>
15d	Shim, tappet adjusting, 0.109"			A111E6425S	As req.
15e	Shim, tappet adjusting, 0.110"			A111E6426S	As req.
15f	Shim, tappet adjusting, 0.111"			A111E6427S	As req.
15g	Shim, tappet adjusting, 0.112"			A111E6428S	As req.
15h	Shim, tappet adjusting, 0.113"			A111E6429S	As req.
15i	Shim, tappet adjusting, 0.114"			A111E6430S	As req.
15j	Shim, tappet adjusting, 0.115"			A111E6431S	As req.
15k	Shim, tappet adjusting, 0.116"			A111E6432S	As req.
15l	Shim, tappet adjusting, 0.117"			A111E6433S	As req.
15m	Shim, tappet adjusting, 0.118"			A111E6436S	As req.
15n	Shim, tappet adjusting, 0.119"			A111E6437S	As req.
15o	Shim, tappet adjusting, 0.120"			A111E6438S	As req.
15p	Shim, tappet adjusting, 0.121"			A111E6439S	As req.
15q	Shim, tappet adjusting, 0.122"			A111E6440S	As req.
15r	Shim, tappet adjusting, 0.123"			A111E6441S	As req.
15s	Shim, tappet adjusting, 0.124"			A111E6442S	As req.
15t	Shim, tappet adjusting, 0.125"			A111E6443S	As req.
15u	Shim, tappet adjusting, 0.126"			A111E6444S	As req.
15v	Shim, tappet adjusting, 0.127"			A111E6445S	As req.
15w	Shim, tappet adjusting, 0.128"			A111E6446S	As req.
15ww	Shim, tappet adjusting, 0.129"			A111E6447S	As req.

Function Code 40.07 Camshafts, Tappets, Cam Cover

<u>Dep</u>	<u>Part Description</u>	<u>Remarks</u>	<u>Option</u>	<u>Part Number</u>	<u>Qty</u>
15x	Shim, tappet adjusting, 0.130"			A111E6448S	As req.
15xx	Shim, tappet adjusting, 0.131"			A111E6449S	As req.
15y	Shim, tappet adjusting, 0.132"			A111E6450S	As req.
15yy	Shim, tappet adjusting, 0.133"			A111E6451S	As req.
15z	Shim, tappet adjusting, 0.134"			A111E6452S	As req.
15zz	Shim, tappet adjusting, 0.135"			A111E6453S	As req.
16	Grommet, plug leads retaining			A111E6368S	1
17	Bolt, flg. hd., cam carrier to head	Not illustrated		A111E6312S	4



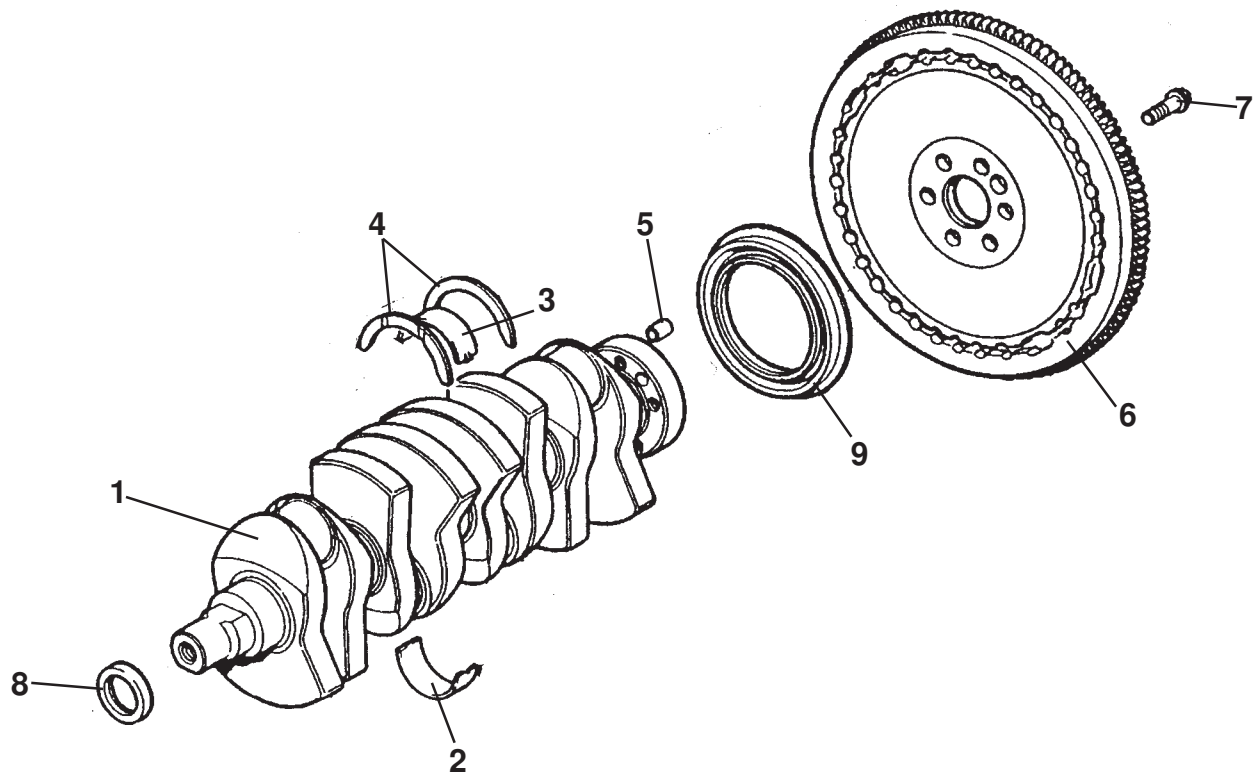
EXIGE
40.09

Service Parts List **EXIGE**



Function Code 40.09 Pistons, Con-rods, Liners

<u>Dep</u>	<u>Part Description</u>	<u>Remarks</u>	<u>Option</u>	<u>Part Number</u>	<u>Qty</u>
01	Piston Assembly	Includes second ring		A111E6254S	4
02	Con-rod			A111E6265S	4
03	Piston Ring, top			A111E6255S	4
04	Piston Ring, oil control			A111E6256S	4
05	Con-rod Bearings, blue			A111E6203S	8
05a	Con-rod Bearings, red			A111E6204S	8
05b	Con-rod Bearings, yellow			A111E6205S	8
06	Cap Screw, big end fix.			A111E6342S	8
07	Cylinder Liner, grade A			A111E6112S	4
07a	Cylinder Liner, grade B			A111E6113S	4



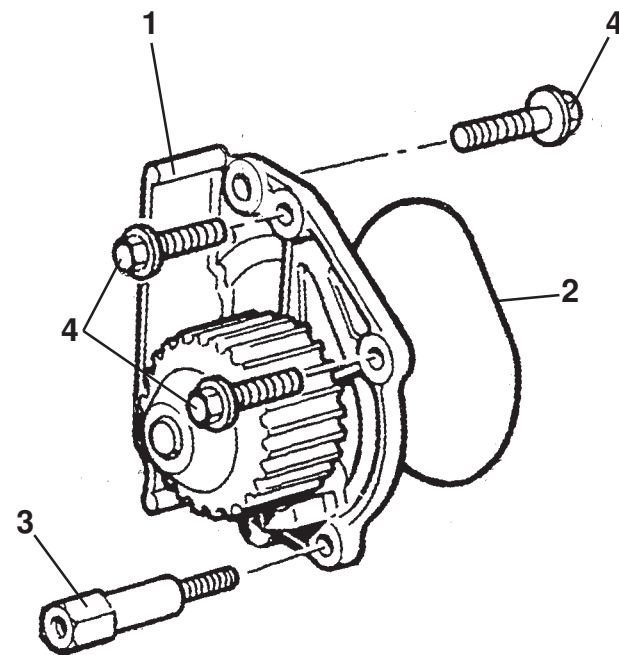
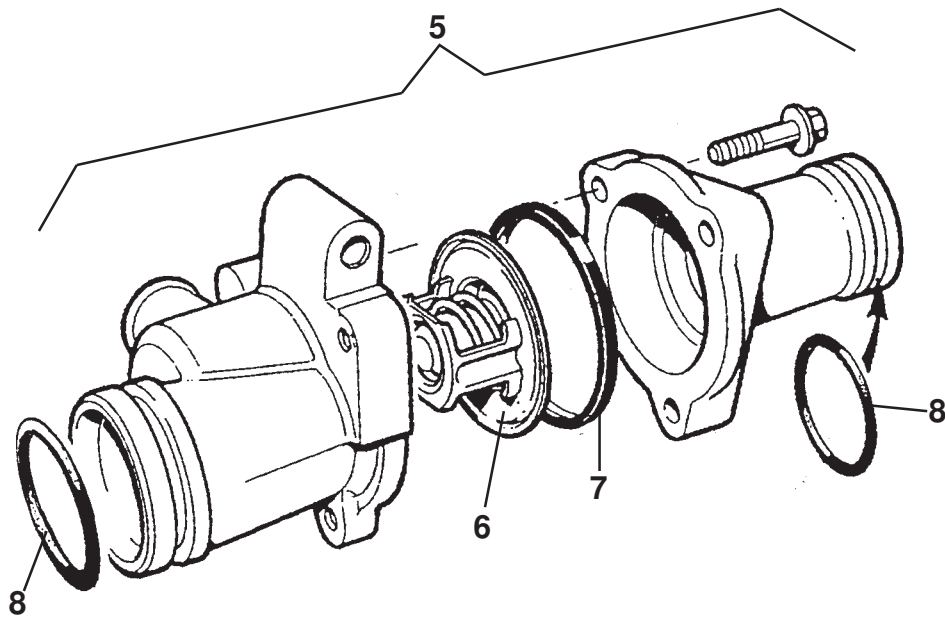
EXIGE
40.11

Service Parts List *EXIGE*



Function Code 40.11 Crankshaft, Bearings, Flywheel

<u>Dep</u>	<u>Part Description</u>	<u>Remarks</u>	<u>Option</u>	<u>Part Number</u>	<u>Qty</u>
01	Crankshaft			A111E6257S	1
02	Main Bearing, plain, blue			A111E6196S	7
02a	Main Bearing, plain, red			A111E6197S	7
02b	Main Bearing, plain green			A111E6198S	7
03	Main Bearing, grooved, blue			A111E6199S	3
03a	Main Bearing, grooved, red			A111E6200S	3
03b	Main Bearing, grooved, green			A111E6201S	3
04	Thrust Washer			A111E6202S	2
05	Ring Dowel, crank to flywheel			A111E6266S	1
06	Flywheel, light weight			A111E6258S	1
07	Bolt, flywheel fix.			A111E6129S	6
08	Oil Seal, crankshaft front	Also see 40.02		A111E6054S	1
09	Oil Seal, crankshaft rear	Also see 40.02		A111E6057S	1



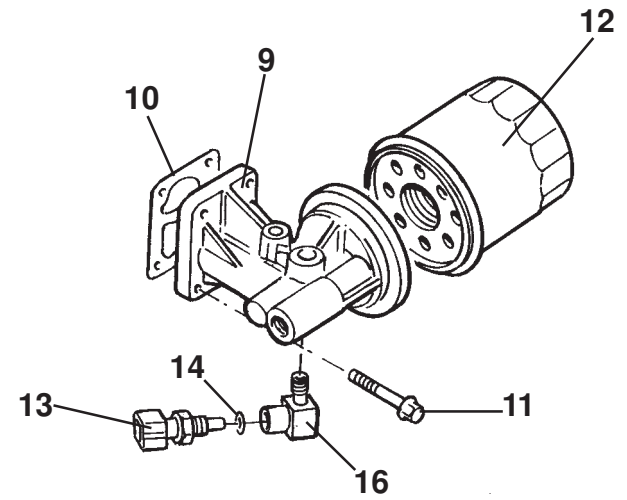
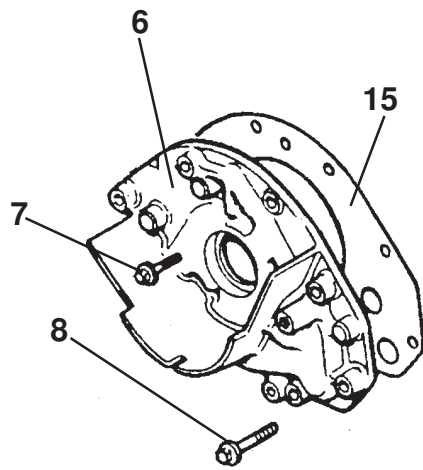
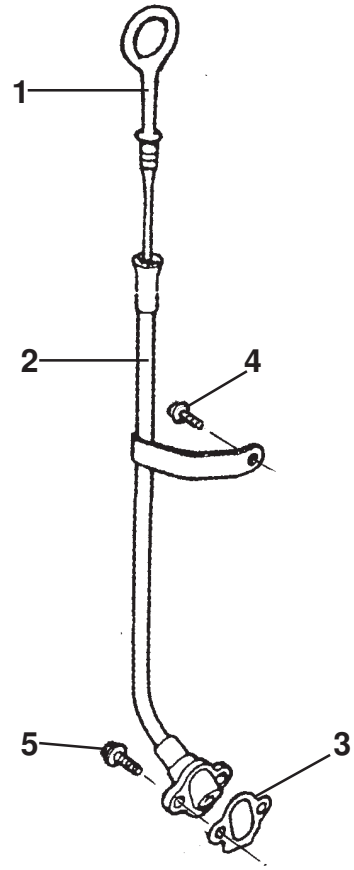
EXIGE
40.13

Service Parts List *EXIGE*



Function Code 40.13 Water Pump Assembly, Thermostat

<u>Dep</u>	<u>Part Description</u>	<u>Remarks</u>	<u>Option</u>	<u>Part Number</u>	<u>Qty</u>
01	Water Pump Assembly	Includes 'O' ring		A111E6088S	1
02	'O' Ring, water pump	Also see 40.02a		A111E6080S	1
03	Pillar Bolt, tensioner spring fix.			A111E6361S	1
04	Bolt, water pump fix.			A111E6341S	5
05	Thermostat Housing Assembly	Includes items 6, 7, 8		A111E6182S	1
06	Thermostat			A111E6085S	1
07	Sealing Ring, thermostat to housing	Also see 40.02		A111E6084S	1
08	'O' Ring, thermostat housing	Also see 40.02		A111E6067S	1
09	'O' Ring, water pipe to thermostat housing	Also see 40.02		A111E6067S	1



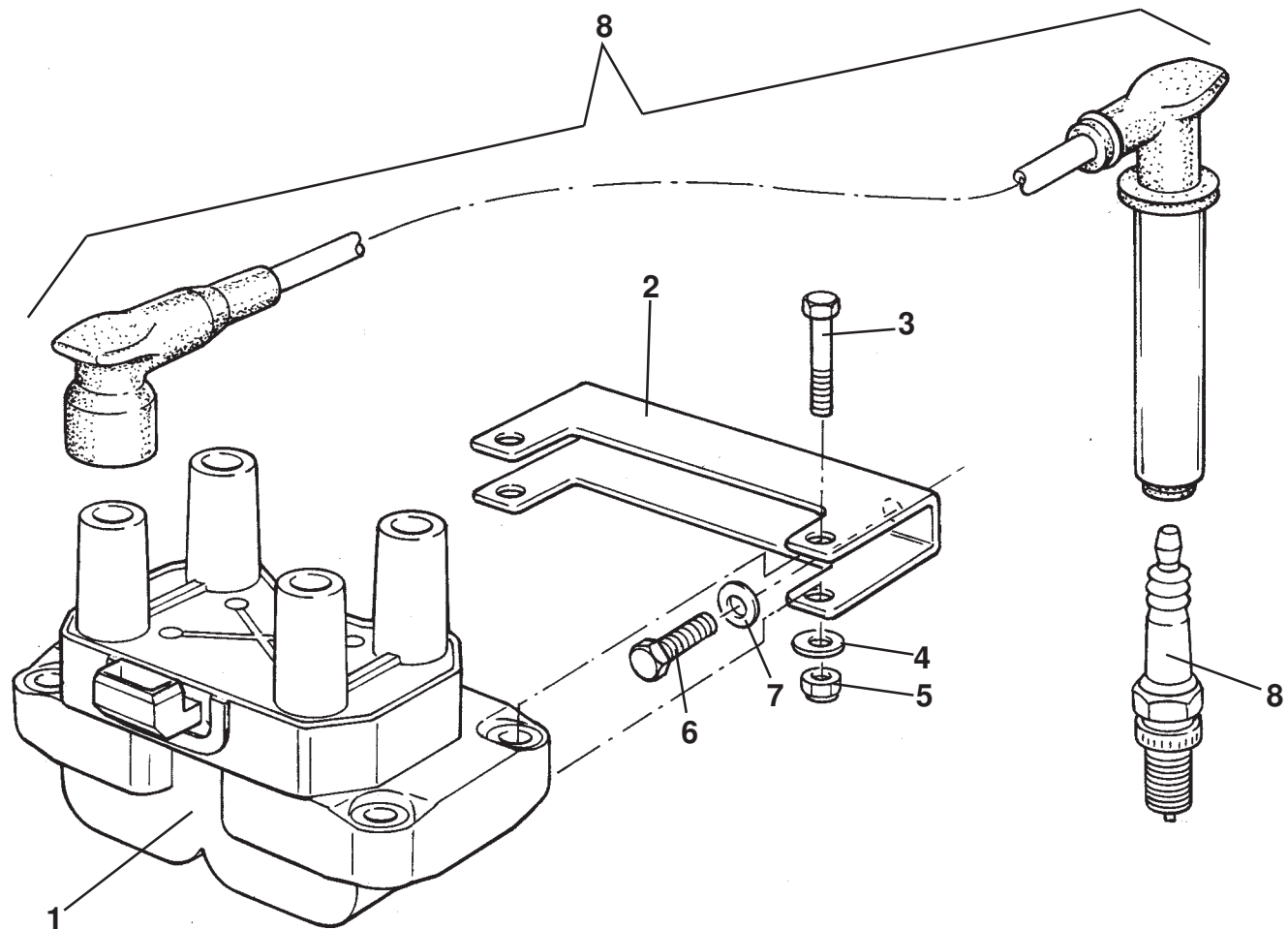
EXIGE
40.15

Service Parts List *EXIGE*



Function Code 40.15 Lubrication System

<u>Dep</u>	<u>Part Description</u>	<u>Remarks</u>	<u>Option</u>	<u>Part Number</u>	<u>Qty</u>
01	Dipstick			A111E6004F	1
02	Dipstick Tube			B111E0001F	1
03	Gasket, dipstick tube	Also see 40.02		A111E6009F	1
04	Bolt, dipstick tube bracket to block			A111E6006F	1
05	Bolt, dipstick tube flange to block			A111E6007F	2
06	Oil Pump Assembly			A111E6122S	1
07	Bolt, flg. hd., oil pump to block			A111E6289S	1
08	Bolt, flg. hd., oil pump to block			A111E6360S	8
09	Oil Filter Housing	With oil cooler provision		A111E6146S	1
10	Gasket, oil filter housing	Also see 40.02		A111E6101S	1
11	Bolt, oil filter housing to block			A111E6168S	4
12	Engine Oil Filter			A111E6038S	1
13	Oil Pressure Switch			A111E6099S	1
14	Washer, oil pressure switch			A111E6180S	1
15	Gasket, oil pump	Also see 40.02		A111E6053S	1
16	Elbow, 90 deg., oil press. switch mounting			A111E6147S	1
17	Oil Pump Repair Kit	Not illustrated		A111E6346S	1



EXIGE

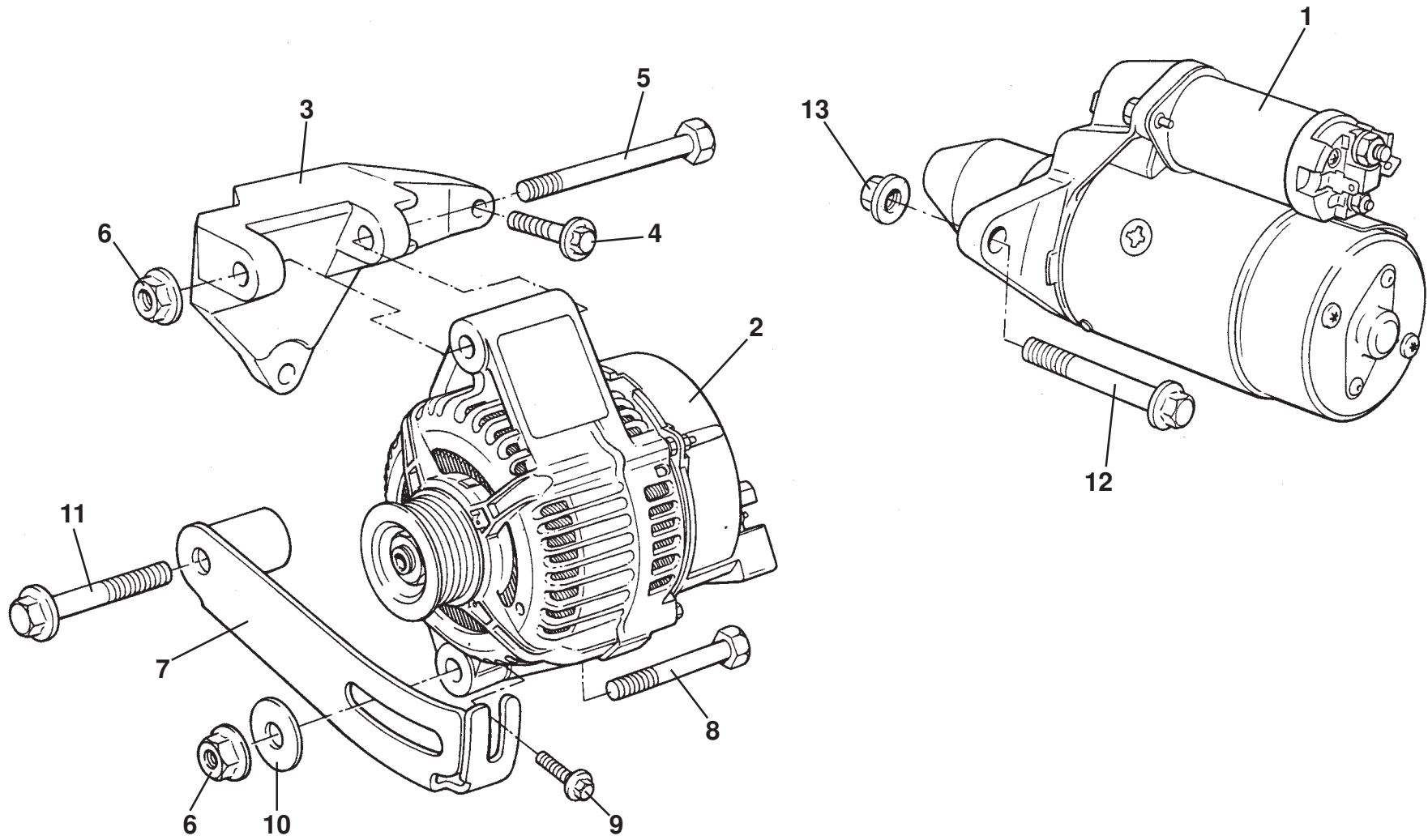
40.17

Service Parts List *EXIGE*



Function Code 40.17 Ignition System, Spark plugs & Plug Top Coils

<u>Dep</u>	<u>Part Description</u>	<u>Remarks</u>	<u>Option</u>	<u>Part Number</u>	<u>Qty</u>
01	Ignition Coil Pack			A918E6009F	1
02	Bracket, coil pack to head			A340E0002F	1
03	Bolt, M6 x 40, hex. hd., bracket to coil pack			A075W1034Z	2
04	Washer, flat, M6			A075W4015Z	4
05	Nyloc Nut, M6			A907E6285F	2
06	Setscrew, M8 x 16, hex. hd., bracket to head			A075W1036Z	2
07	Washer, flat, M8			A075W4020Z	2
08	HT Lead Set			A340M0011F	1
09	Spark Plug	Champion RC6 YCC		A111E6285S	4



EXIGE

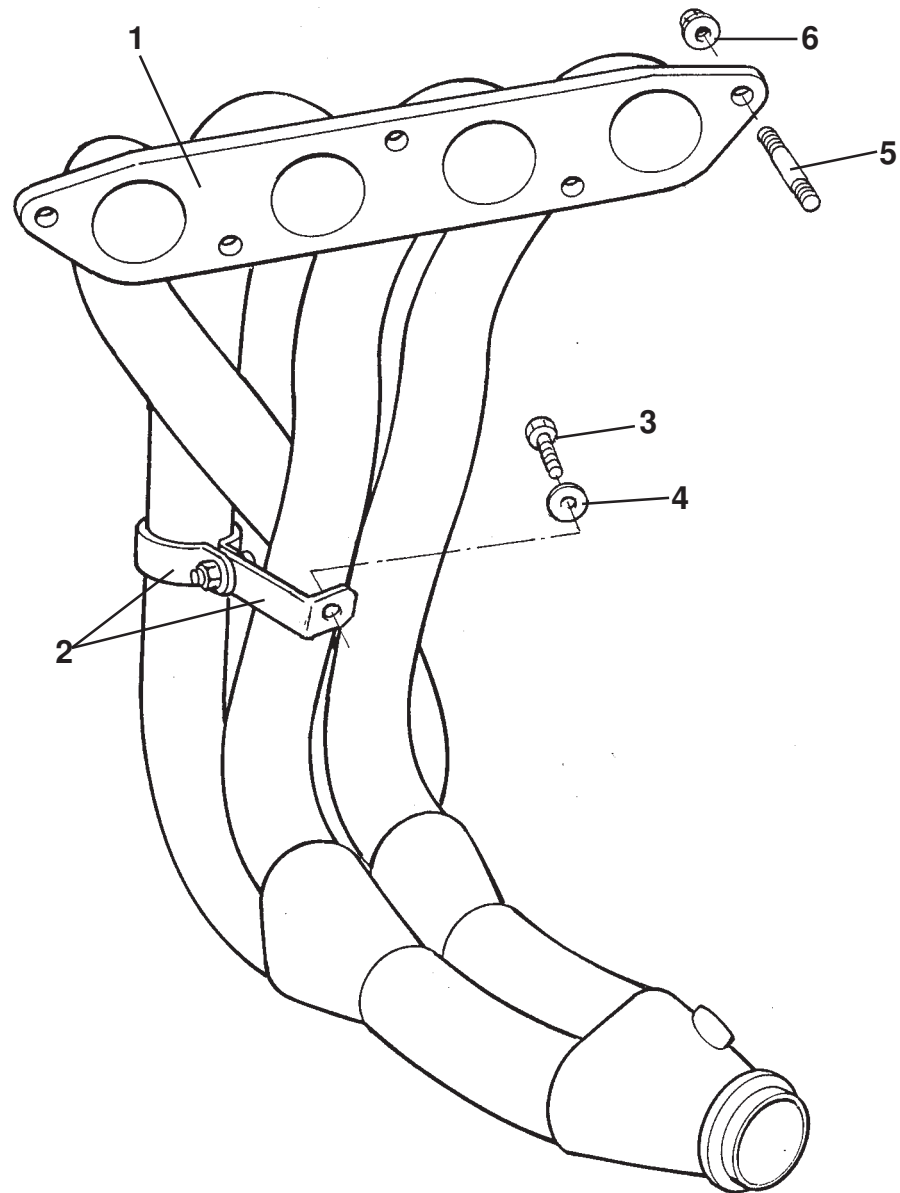
40.19

Service Parts List **EXIGE**



Function Code 40.19 Alternator and Starter Motor

<u>Dep</u>	<u>Part Description</u>	<u>Remarks</u>	<u>Option</u>	<u>Part Number</u>	<u>Qty</u>
01	Starter Motor, 1.4KW			A111E6091S	1
02	Alternator			A111E6082S	1
03	Alternator Bracket		Heater cars	A111E6236S	1
03a	Alternator Bracket, upper	Also uses compressor bracket, see 40.23	AC cars	A111E0068F	1
04	Bolt, flg. hd., bracket to block			A111E6237S	3
05	Bolt, hex. hd., M10 x 100, alternator to top bracket			A111E6105F	1
05a	Bolt, hex. Flg. Hd.,M10 x 90, alternator to top bracket		AC cars	A111E6104F	1
06	Nut, flg. hd., alternator to bracket			A111E6183S	2
07	Alternator Adjustment Link	Includes spacer & bolt, item 11		A111E6238S	1
08	Bolt, hex. hd., alternator to link			A111E6239S	1
09	Setscrew, flg. hd., alternator adjustment			A111E6241S	1
10	Washer, flat			A111E6240S	1
11	Bolt, M10 x 50, flg. hd., link to block			A111E6237S	1
12	Bolt. M12 x 90, flg. hd. starter motor fix.			A111F6176S	2
13	Flange Nut, M12, starter motor fix.		A111E6078S R/B	A111W3155F	2



EXIGE

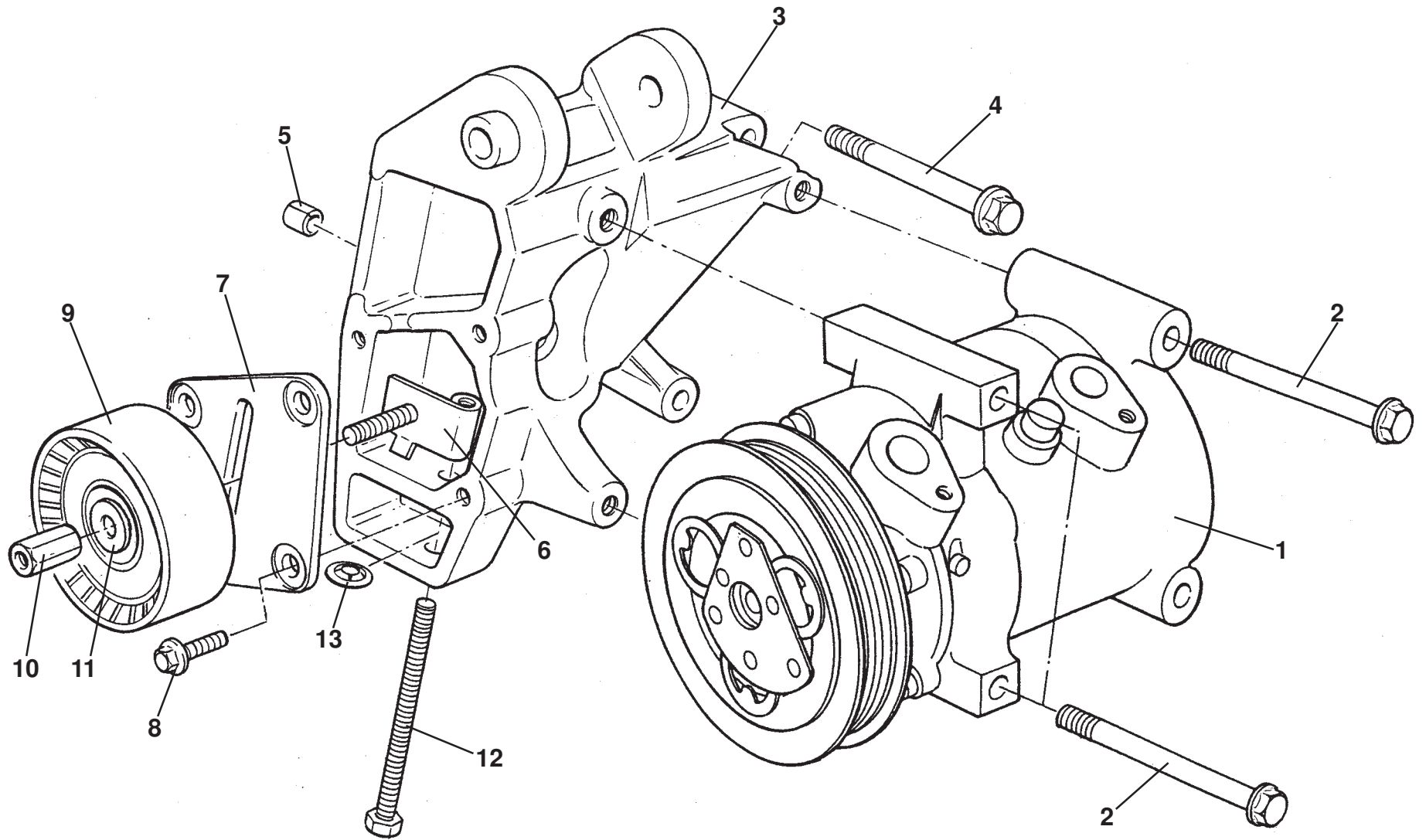
40.21

Service Parts List **EXIGE**



Function Code 40.21 Exhaust Manifold

<u>Dep</u>	<u>Part Description</u>	<u>Remarks</u>	<u>Option</u>	<u>Part Number</u>	<u>Qty</u>
01	Exhaust Manifold			A340S6000F	1
02	Stabiliser Bracket/Clamp Assembly	Includes fixings		A340S6002F	1
03	Setscrew, M10 x 25, hex. hd., bracket to block			A340W0001F	1
04	Washer, flat, M10 x 25			A075W6237Z	1
05	Stud, manifold to cylinder head			A111E6148S	5
06	Nut, manifold to cylinder head			A111E6149S	5



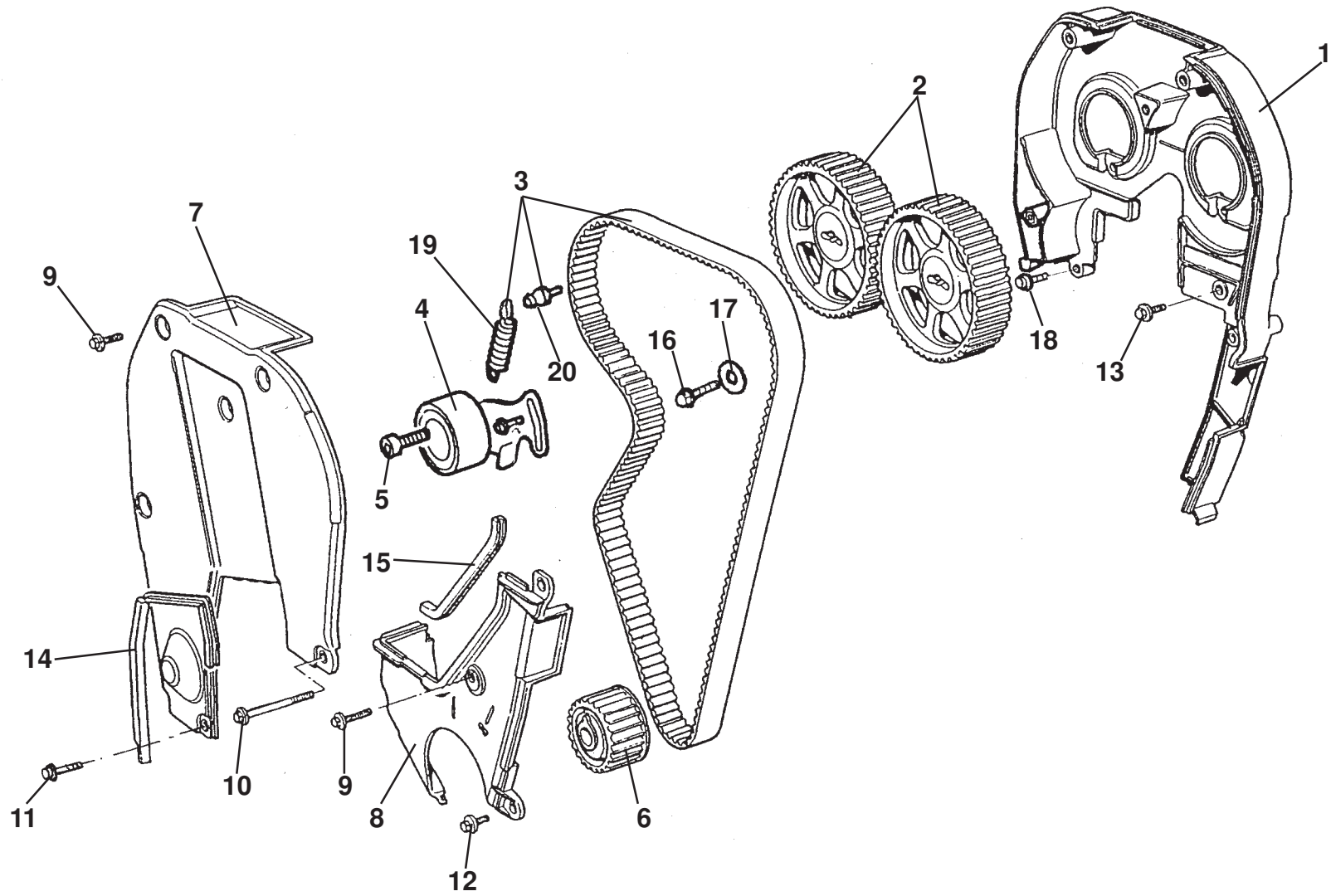
EXIGE
40.23

Service Parts List **EXIGE**



Function Code 40.23 AC Compressor

<u>Dep</u>	<u>Part Description</u>	<u>Remarks</u>	<u>Option</u>	<u>Part Number</u>	<u>Qty</u>
01	Compressor, AC			A111E6106F	1
02	Bolt, compressor to bracket			A111E6108F	3
03	Bracket, compressor to block	Also supports alternator		A111E0069F	1
04	Bolt, M10 x 80, flg., bracket to block			A111E6417F	1
05	Dowel, bracket to block			A111E6416F	3
06	Spindle, pulley adjusting			A111E6413F	1
07	Plate, spindle retention			A111E6412F	1
08	Screw, flg. hd., plate to bracket			A111E6411F	1
09	Pulley, auxiliary belt tensioning			A111E6410F	3
10	Clamp Nut, pulley to spindle			A111E6408F	1
11	Washer, flat, M8, pulley to spindle			A111E6409F	1
12	Screw, hex. hd., pulley adjusting			A111E6414F	1
13	Retainer, adjusting screw			A111E6415F	1



EXIGE

41.01

Service Parts List **EXIGE**

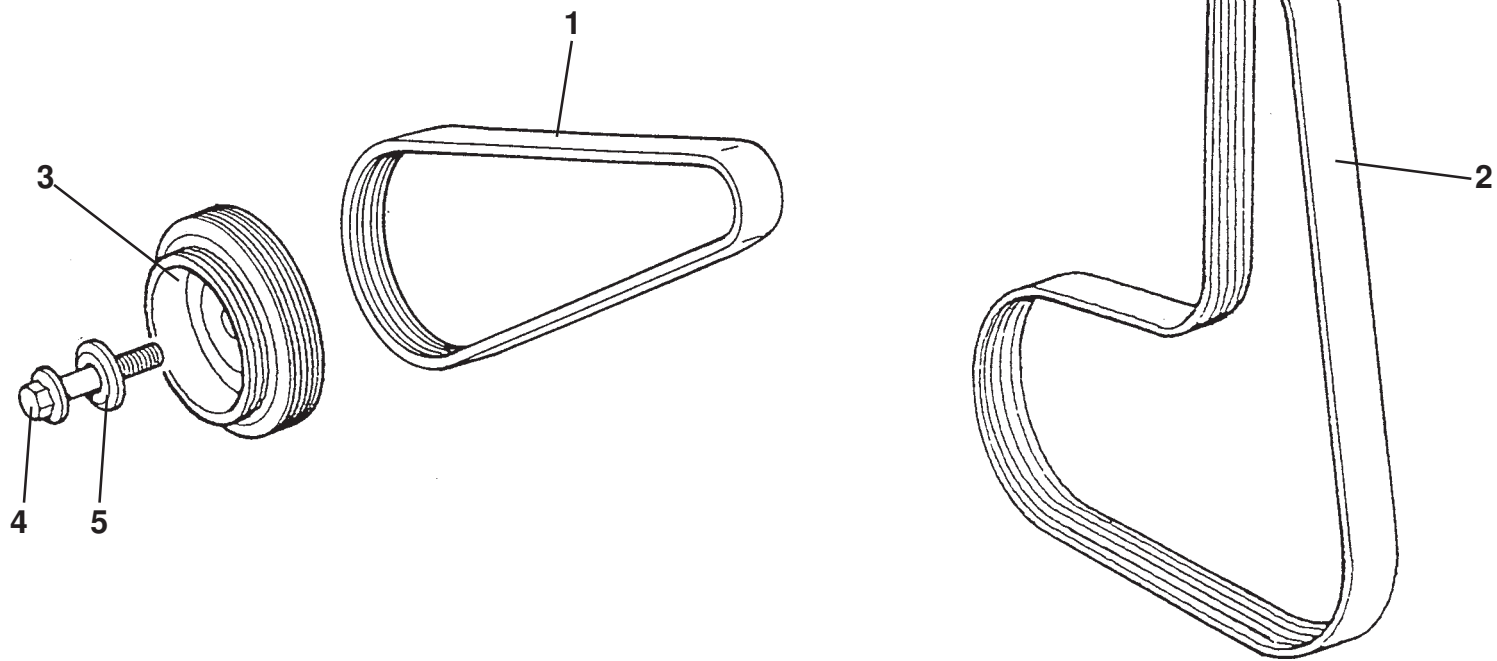


Function Code 41.01 Camshaft Belts, Guards & Pulleys

<u>Dep</u>	<u>Part Description</u>	<u>Remarks</u>	<u>Option</u>	<u>Part Number</u>	<u>Qty</u>
01	Cover, rear, timing belt			A111E6121S	1
02	Camshaft Pulley, inlet and exhaust			A111E6156S	2
03	Timing Belt			A111E6044S	1
04	Tensioner Assembly, timing belt			A111E6117S	1
05	Adjusting Bolt, M10, belt tensioner			A111E6116S	1
06	Crankshaft Pulley, timing belt			A111E6157S	1
07	Cover, upper front, timing belt	Includes seals		A111E6119S	1
08	Cover, lower front, timing belt	Includes seals		A111E6120S	1
09	Screw, M6 x 35, flg. hd.			A111E6349S	5
10	Bolt, lower cover fix.			A111E6348S	1
11	Bolt, upper cover to rear cover			A111E6350S	1
12	Screw, M6 x 16, lower cover fix.			A111E6351S	1
13	Screw, M6 x 16, rear cover fix.			A111E6339S	3
14	Seal, upper cover			A111E6071S	1
15	Seal, lower cover			A111E6070S	1
16	Screw. cam pulley fix.			A111E6386S	2
17	Washer, flat			A111E6279S	2
18	Screw, M6 x 25, hex. flg. hd., rear cover fix.			A111F6039S	1

Function Code 41.01 Camshaft Belts, Guards & Pulleys

<u>Dep</u>	<u>Part Description</u>	<u>Remarks</u>	<u>Option</u>	<u>Part Number</u>	<u>Qty</u>
19	Spring and Sleeve, belt tensioner			A111E6118S	1
20	Pillar Bolt			A111E6231S	1



EXIGE

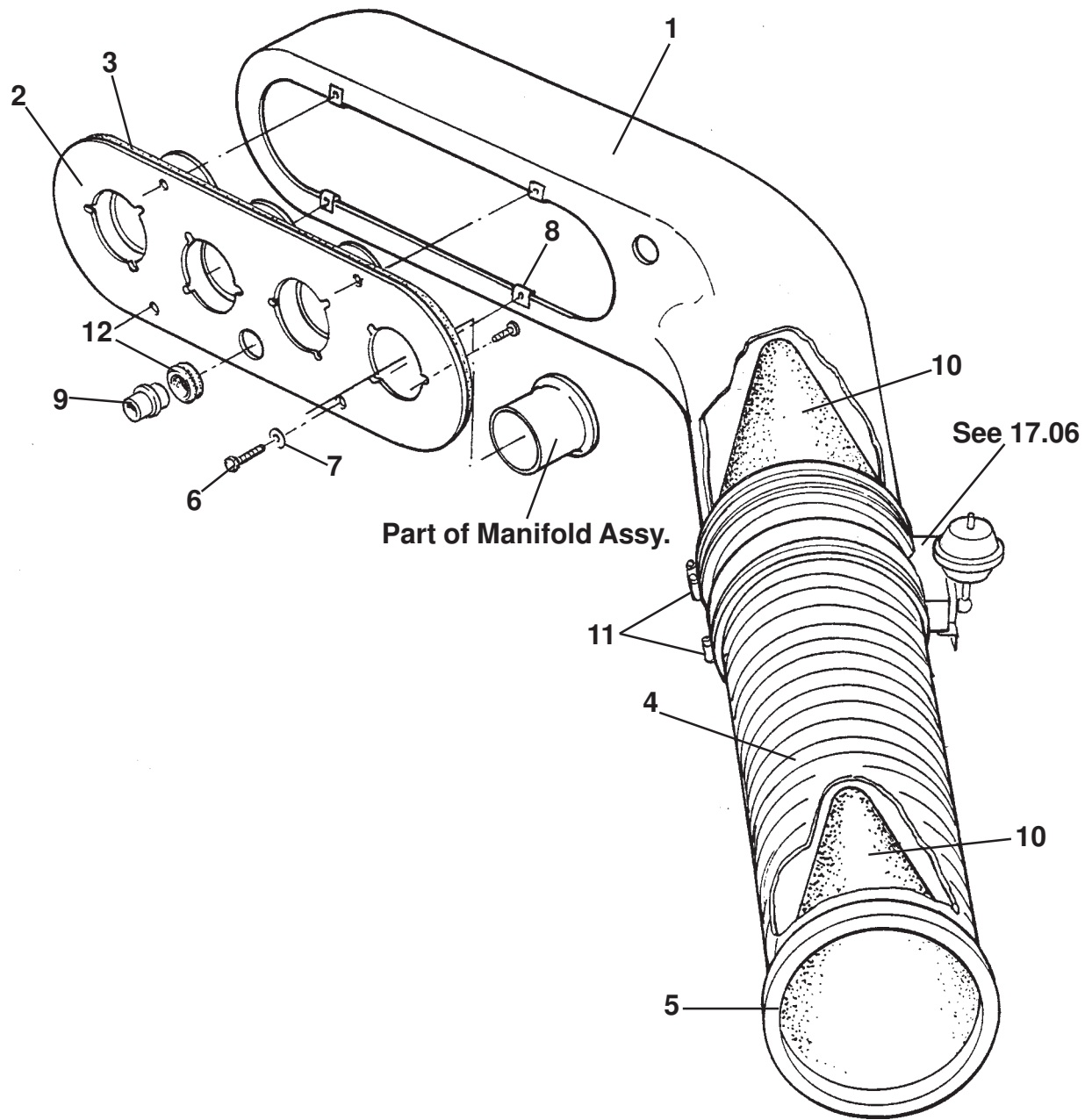
41.03

Service Parts List *EXIGE*



Function Code 41.03 Auxiliary Drive Belts & Pulleys

<u>Dep</u>	<u>Part Description</u>	<u>Remarks</u>	<u>Option</u>	<u>Part Number</u>	<u>Qty</u>
01	Drive Belt, alternator			A111E6041S	1
02	Drive Belt, AC compressor and alternator		AC cars	A111E6107F	1
03	Auxiliary Belt Pulley	Also change timing pulley, see 41.01	A111E6158S R/B	A111E6273S	1
04	Bolt, pulley fix.			A111E6159S	1
05	Washer, special, bolt to pulley			A111E6275S	1



EXIGE

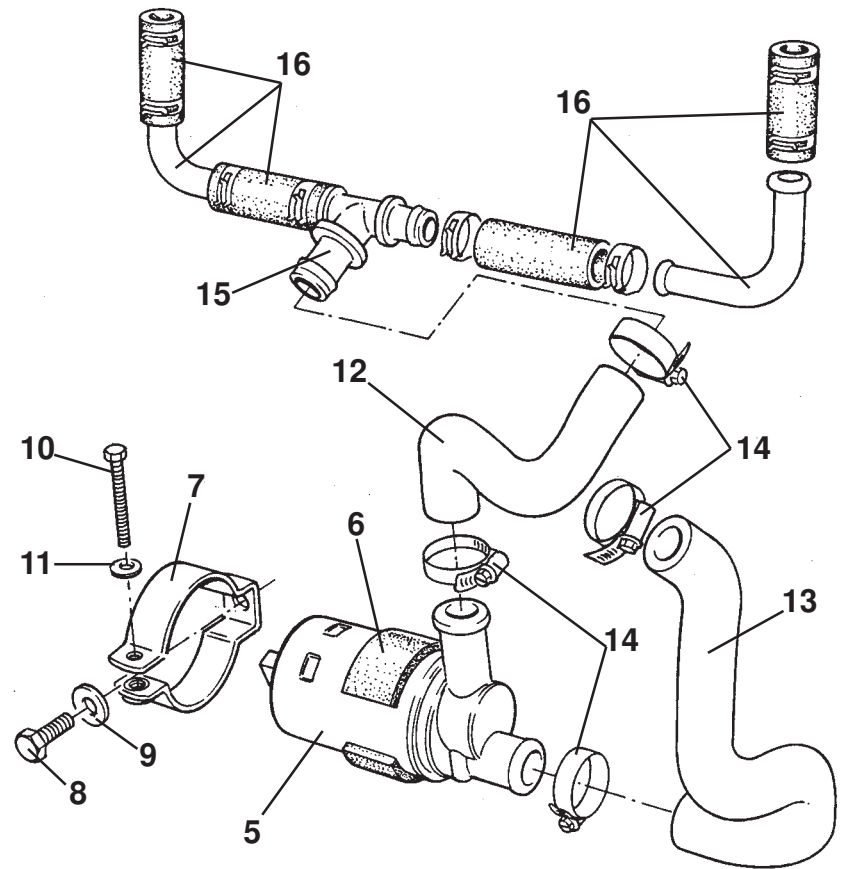
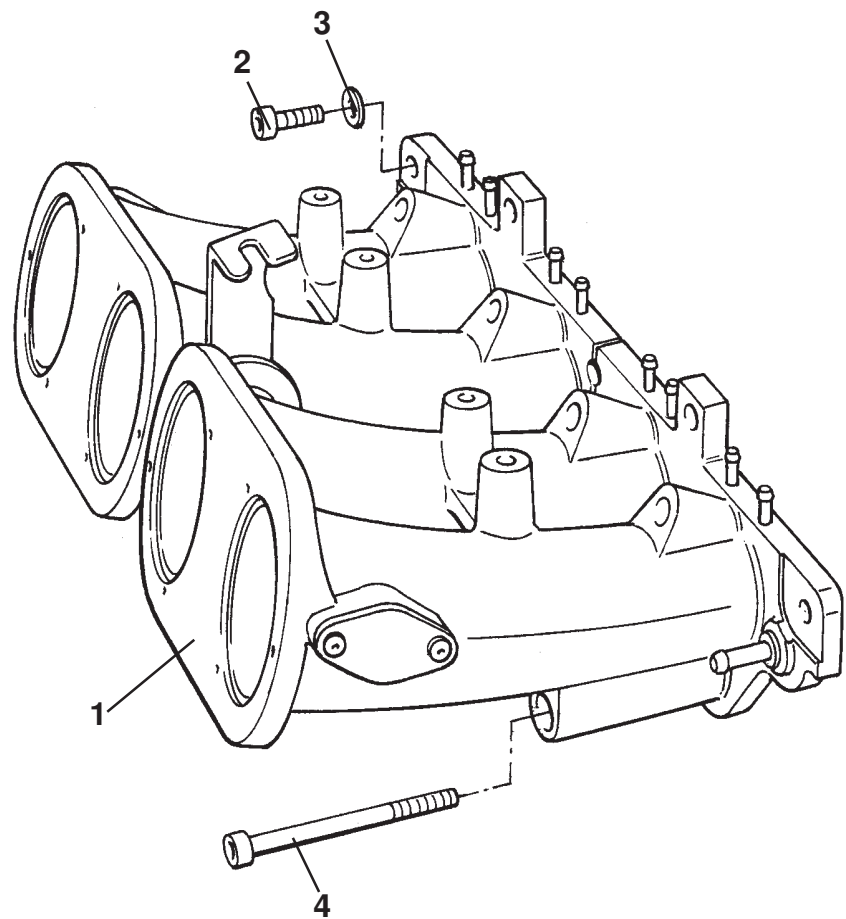
42.01

Service Parts List *EXIGE*



Function Code 42.01 Airboxes, Trunking & Air Filters

<u>Dep</u>	<u>Part Description</u>	<u>Remarks</u>	<u>Option</u>	<u>Part Number</u>	<u>Qty</u>
01	Airbox, composite		Standard	A111E0053K	1
01a	Airbox, carbon fibre		Optional	A340E0027F	1
02	Backplate, airbox to manifold	Includes gasket, item 3		A340E6002F	1
03	Gasket, airbox to backplate			A340E0012H	1
04	Hose, intake duct to airbox			A111E6390F	1
05	Reinforcing Ring, intake hose			A340E0026K	1
06	Screw, M5 x 16, hex. hd., backplate to airbox			A111W1163F	4
07	Washer, flat, M5 x 10 x 0.8			A075W4011Z	4
08	Spire Nut			B100W6372F	4
09	Spigot, plastic, backplate to IAC hose			A340E0016F	1
10	Air Filter	Includes clips		A340E6004F	2
11	Hose Clip			A111W6638F	3
12	Grommet, sealing, spigot to backplate			A340E6008F	1
13	Adaptor, duct to hose	Not illustrated		A111E0023K	1



EXIGE

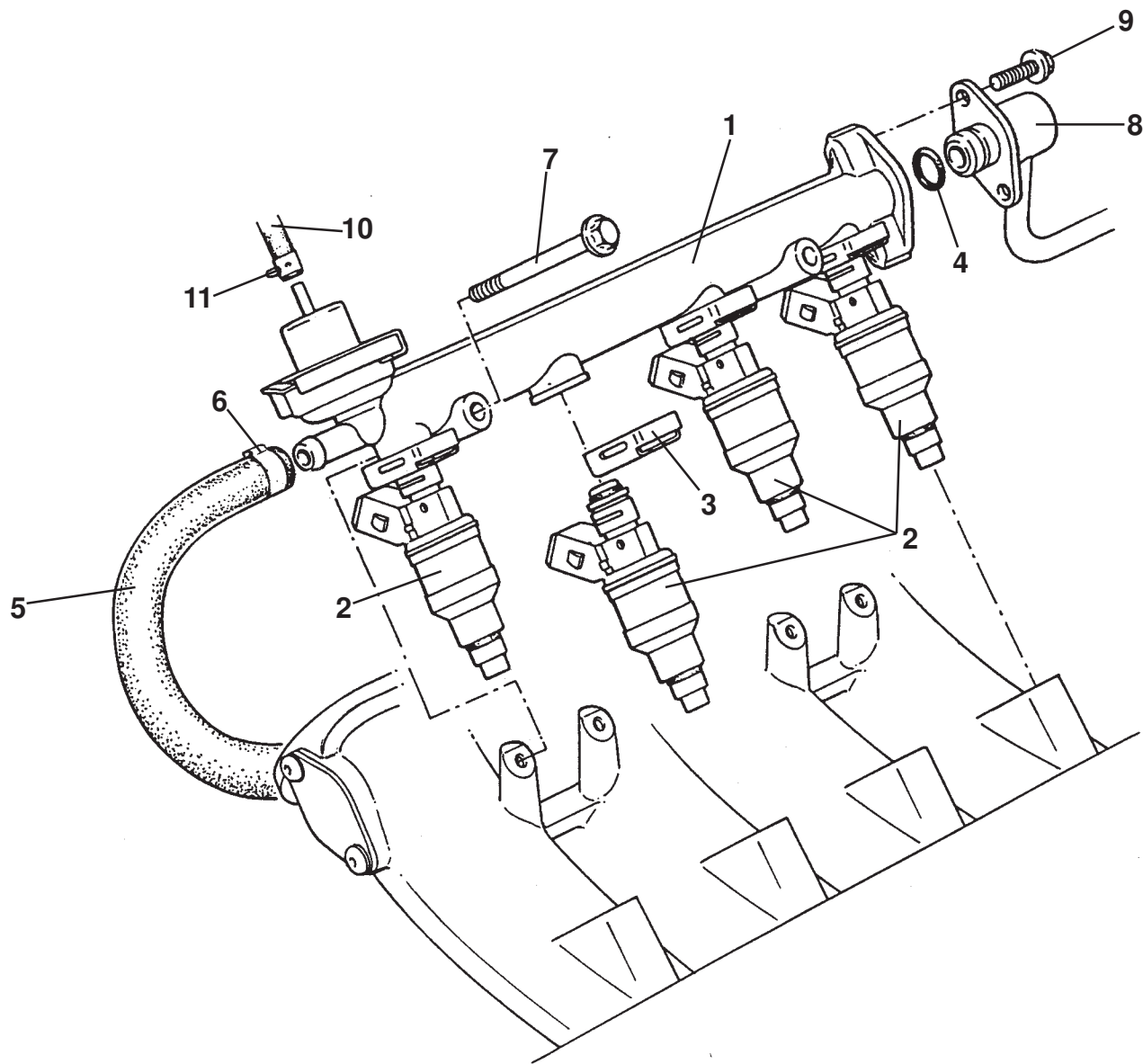
42.04

Service Parts List **EXIGE**



Function Code 42.04 Throttle Body, Mechanism & IAC Valve

<u>Dep</u>	<u>Part Description</u>	<u>Remarks</u>	<u>Option</u>	<u>Part Number</u>	<u>Qty</u>
01	Throttle Body/Intake Manifold Assembly	Includes backplate & trumpets		A340E6026S	1
02	Screw, M8 x 25, cap hd., manifold to head upper			A340E6027S	5
03	Washer, flat, M8 x 16.6 x 1.4, manifold to head upper			A075W4020Z	5
04	Bolt, M8 x 110, cap hd., manifold to head lower			A340E6028S	4
05	Idle Air Control Valve (IAC)			A918E6011F	1
06	Insulator, idle air control valve			A918E0179F	1
07	Bracket, IAC valve			A340E0001F	1
08	Screw, M10 x 16, hex. hd., bracket to engine			A100A0641F	1
09	Washer, flat, M10			A075W4024Z	1
10	Screw, M6 x 35, hex. hd., bracket clamping			A075W1033Z	1
11	Washer, flat, M6			B082W4018F	1
12	Hose, IAC to 'T' pipe	Made from A918E0186F		A340E0009K	1
13	Hose, IAC to airbox	Made from A918E0186F		A340E0010K	4
14	Hose Clip			B907E6085Z	4
15	'T' Piece, IAC valve to manifold feeds			A340E6012F	1
16	Elbow Pipe/Hose Assy., manifold feeds	Includes hose clips		A340E0019F	2



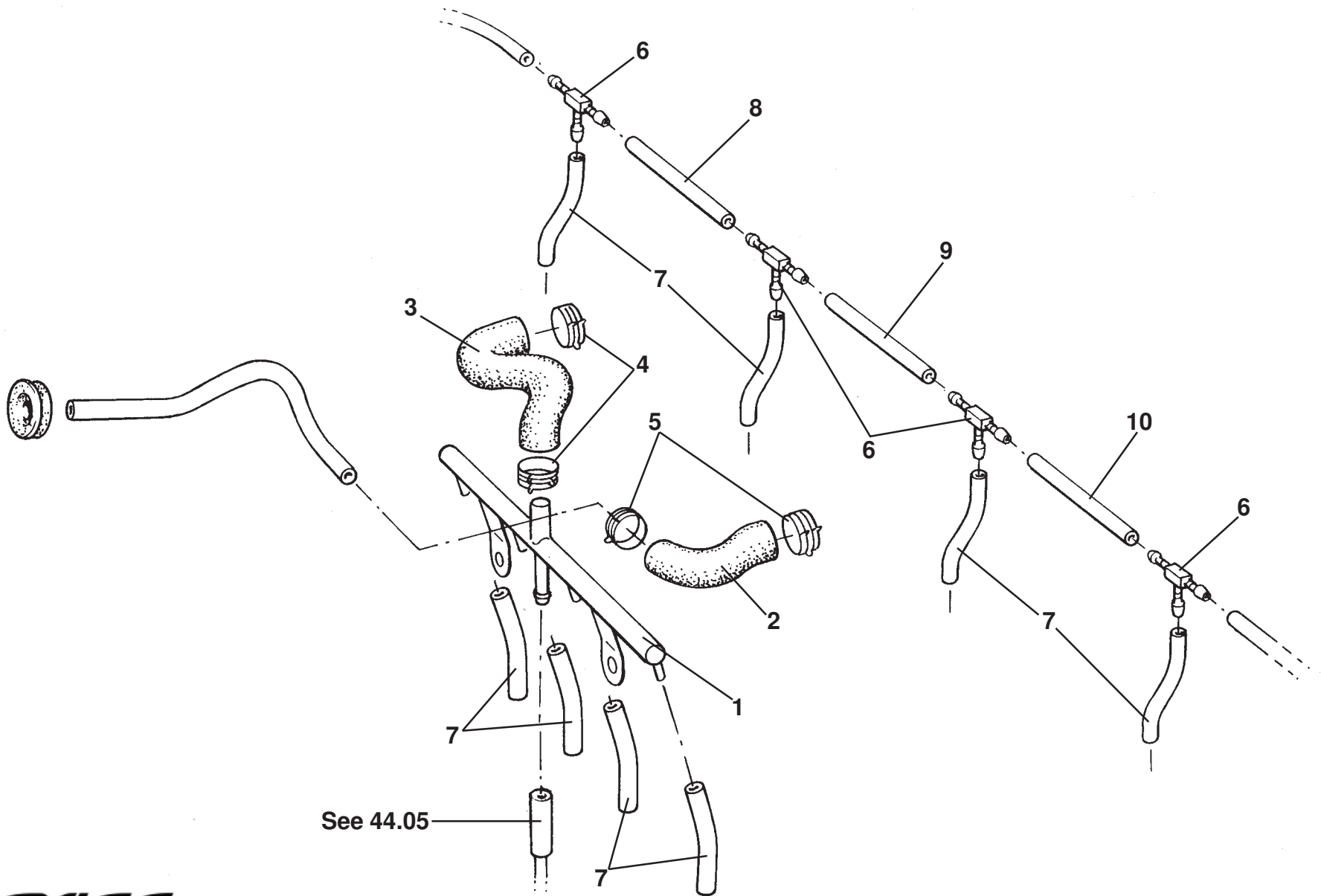
EXIGE
42.05

Service Parts List *EXIGE*



Function Code 42.05 Fuel Injection System

<u>Dep</u>	<u>Part Description</u>	<u>Remarks</u>	<u>Option</u>	<u>Part Number</u>	<u>Qty</u>
01	Fuel Rail.			A111E6079S	1
02	Injector.			A111E6060S	4
03	Clip, injector retaining			A111E6162S	4
04	'O' Ring, pipe to rail			A111E6142S	1
05	Hose Assembly, fuel return			A111L6032S	1
06	Oetiker Clip, hose to rail			A111L6034S	2
07	Bolt, fuel rail to manifold			A111E6160S	2
08	Pipe/Hose Assembly, fuel feed			A111L0058F	1
09	Bolt, pipe to rail			A111L6035S	2
10	Vacuum Hose, regulator to manifold			A340E0025K	1
11	Hose Clip, vacuum hose securing			A111E6161S	1



See 44.05

EXIGE
43.03

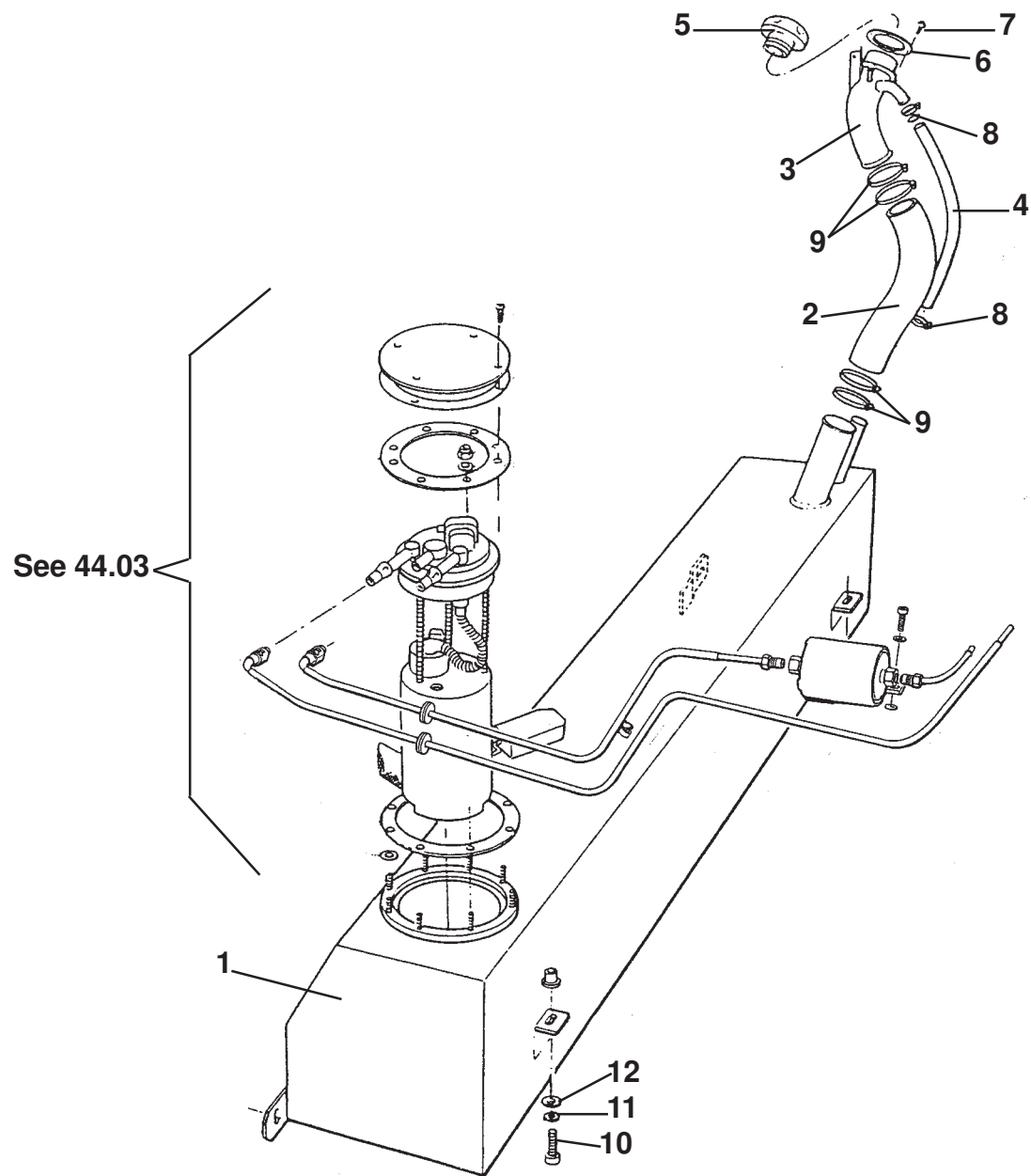
Service Parts List *EXIGE*



Function Code 43.03 Vacuum System, Hoses, Pipes & Fittings

<u>Dep</u>	<u>Part Description</u>	<u>Remarks</u>	<u>Option</u>	<u>Part Number</u>	<u>Qty</u>
01	Breather Rail			A340E0006F	1
02	Hose, cam cover to airbox backplate			A111E0032S	1
03	Hose, cam cover to breather rail			A111E6151S	1
04	Hose Clip			A111E6154S	2
05	Hose Clip			A111E6155S	2
06	'T' Piece			A111M6045F	4
07	Vacuum Hose, manifold to rail/'T' pieces			A340E0021K	8
08	Vacuum Hose, 105mm			A340E0022K	1
09	Vacuum Hose. 60mm			A340E0023K	1
10	Vacuum Hose, 90mm			A340E0024K	1

EXIGE
44.01

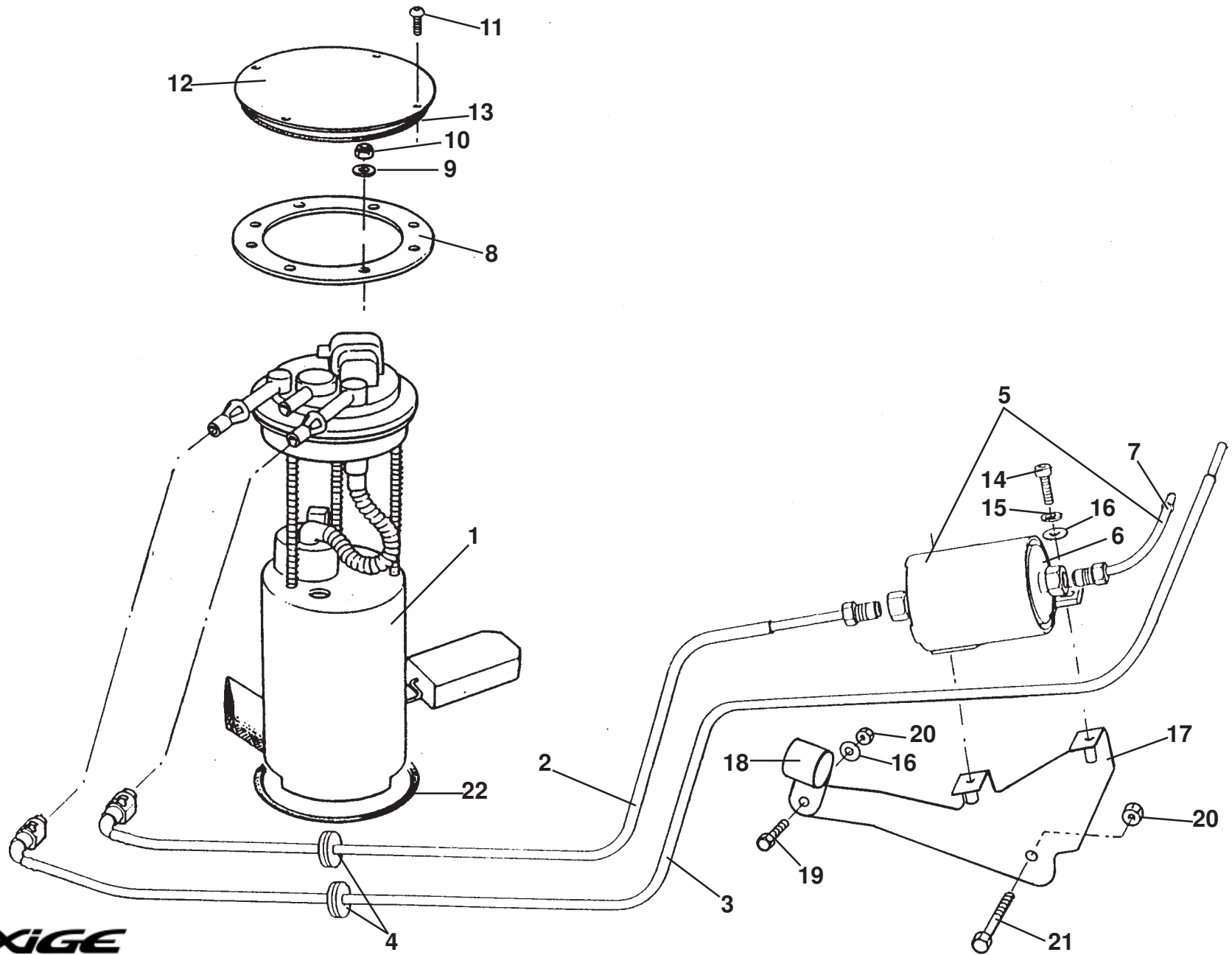


Service Parts List *EXIGE*



Function Code 44.01 Fuel Tanks, Filler

<u>Dep</u>	<u>Part Description</u>	<u>Remarks</u>	<u>Option</u>	<u>Part Number</u>	<u>Qty</u>
01	Fuel Tank			A111L0033F	1
02	Hose, fuel filler			A111L0009F	1
03	Filler Neck			B111L0008F	1
04	Hose, fuel breather			A111L0010F	1
05	Fuel Filler Cap, locking			A111L0026J	1
06	Ring, fuel filler neck clamping			A079L4034F	1
06a	Gasket, clamping ring	Not illustrated		A079L4035F	1
07	Setscrew No 6 x 1/2", filler neck to body			A089W5138F	4
08	Hose Clip, dia. 25-40mm			A075M6145F	4
09	Hose Clip, dia. 50-70mm			A100E6082F	4
10	Setscrew, M8 x 25, tank to chassis			A075W1039Z	4
11	Washer, spring, M8, tank to chassis			A075W4036Z	4
12	Washer, flat, M8, tank to chassis			A075W4019Z	4



EXIGE
44.03

Service Parts List **EXIGE**



Function Code 44.03 Fuel Pump; Filter, Pipes

<u>Dep</u>	<u>Part Description</u>	<u>Remarks</u>	<u>Option</u>	<u>Part Number</u>	<u>Qty</u>
01	Fuel Pump and Sender Unit			A111L6007F	1
02	Fuel Pipe Assembly , feed			A111L0038F	1
03	Fuel Pipe Assembly, return			A111L0040F	1
04	Grommet			A082L6181F	2
05	Fuel Filter Assembly	Includes pipe Item 7		A111L6002F	1
06	Fuel Filter Element			A111L6037S	1
07	Adaptor, filter outlet/hose			A111L6038S	1
08	Clamp Ring, fuel pump	Part of tank assy.		A111L0004H	1
09	Washer, pump to tank			A082W4099F	8
10	Nyloc Nut, pump to tank			A075W3049F	8
11	Screw, access cover			A111W7117F	4
12	Access Panel, fuel tank			A111L0015F	1
13	'O' Ring, access cover			A111L6015F	1
14	Setscrew, M6 x 18, hex. hd, filter assy. to bracket			A075W1029Z	2
15	Washer, spring, M6			A075W4035Z	2
16	Washer, flat, M6			A075W4013Z	3
17	Bracket, filter mounting			A111E0065F	1
18	'P' Clip, bracket to stay			A910E6743F	1

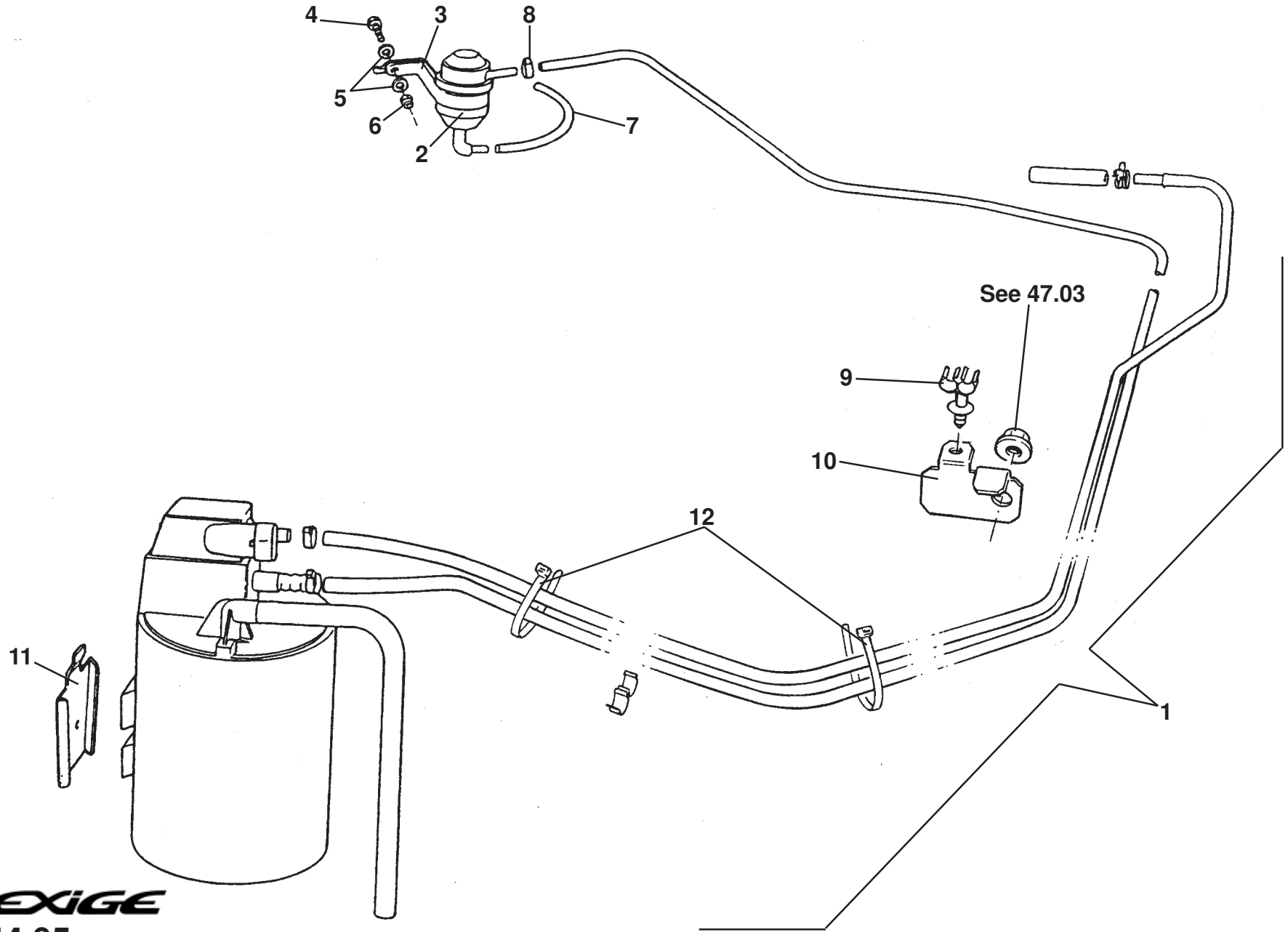
EXIGE

Function Code: 44.03, Page: 1

Updated 1st December 2014

Function Code 44.03 Fuel Pump; Filter, Pipes

<u>Dep</u>	<u>Part Description</u>	<u>Remarks</u>	<u>Option</u>	<u>Part Number</u>	<u>Qty</u>
19	Setscrew, M6 x 16, hex. hd.			A075W1028Z	1
20	Nyloc Nut, M6			A075W3009Z	2
21	Bolt, M6 x 35, hex. hd. bracket to stay			A075W2031Z	1
22	'O' Ring, fuel pump to tank			A111L6008F	1



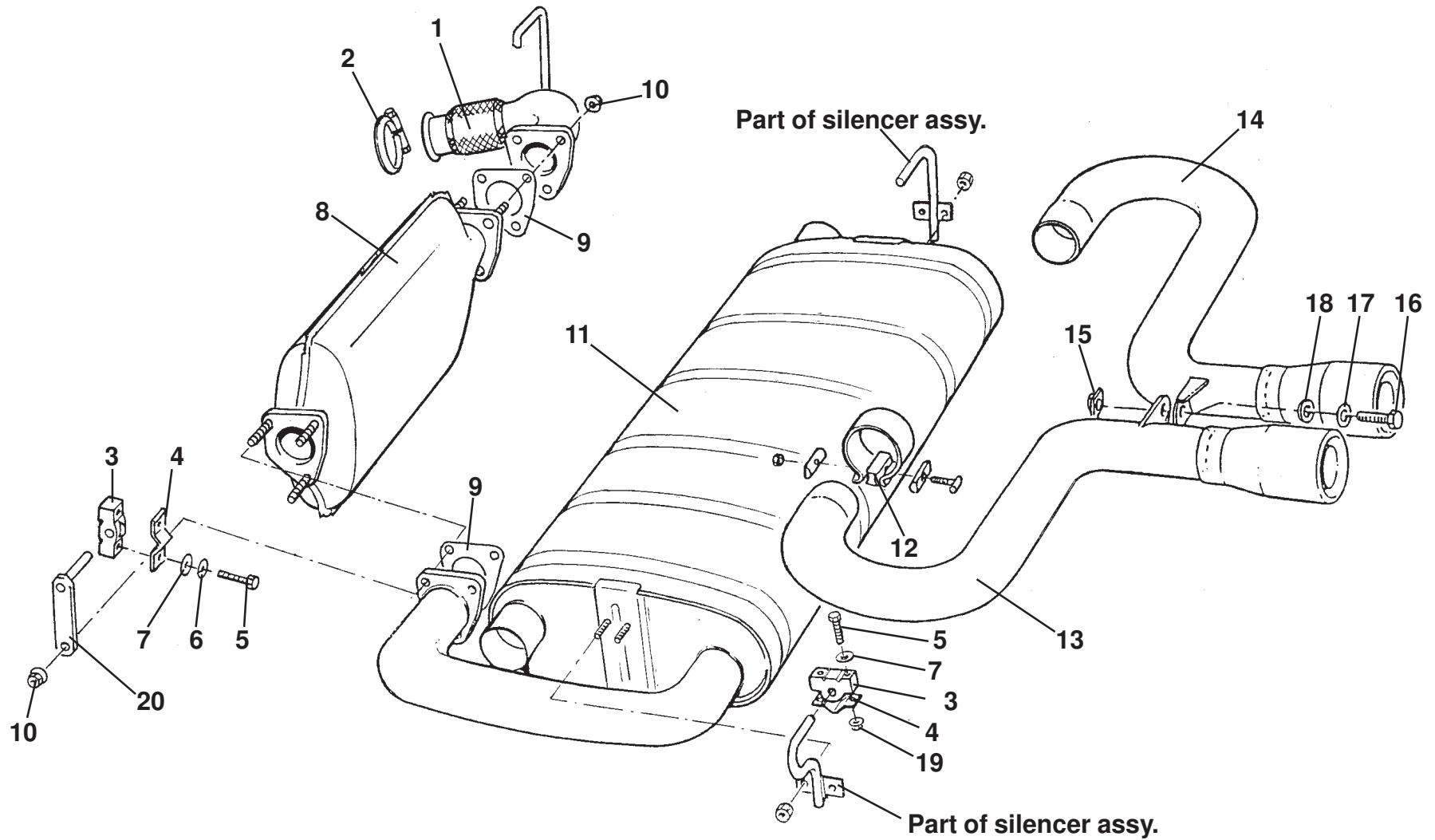
EXIGE
44.05

Service Parts List *EXIGE*



Function Code 44.05 Charcoal Canister & Evaporative Loss System.

<u>Dep</u>	<u>Part Description</u>	<u>Remarks</u>	<u>Option</u>	<u>Part Number</u>	<u>Qty</u>
01	Charcoal Canister Assembly	Includes pipes & clips		C111L0012F	1
02	Roll Over Valve			A111L6011H	1
03	Mounting Clamp, roll over valve			A111L6012H	1
04	Setscrew, M5 x 16, roll over valve fix.			A082W1088F	1
05	Washer, M5, roll over valve fix.			A075W4011Z	2
06	Nyloc Nut, M5, roll over valve fix			A075W3008Z	1
07	Hose, roll over valve to filler neck			A111L0011H	1
08	Clip, pipe fixing			A111L6027H	1
09	Cable Clip, double, purge pipes retention			A111E6401S	1
10	Bracket, clip to clutch housing	Uses starter motor upper flange nut fixing		B111E0066H	1
11	Bracket, charcoal canister			A111L6009F	1
12	Cable Tie			A075W6038Z	2



EXIGE

45.01

Service Parts List **EXIGE**

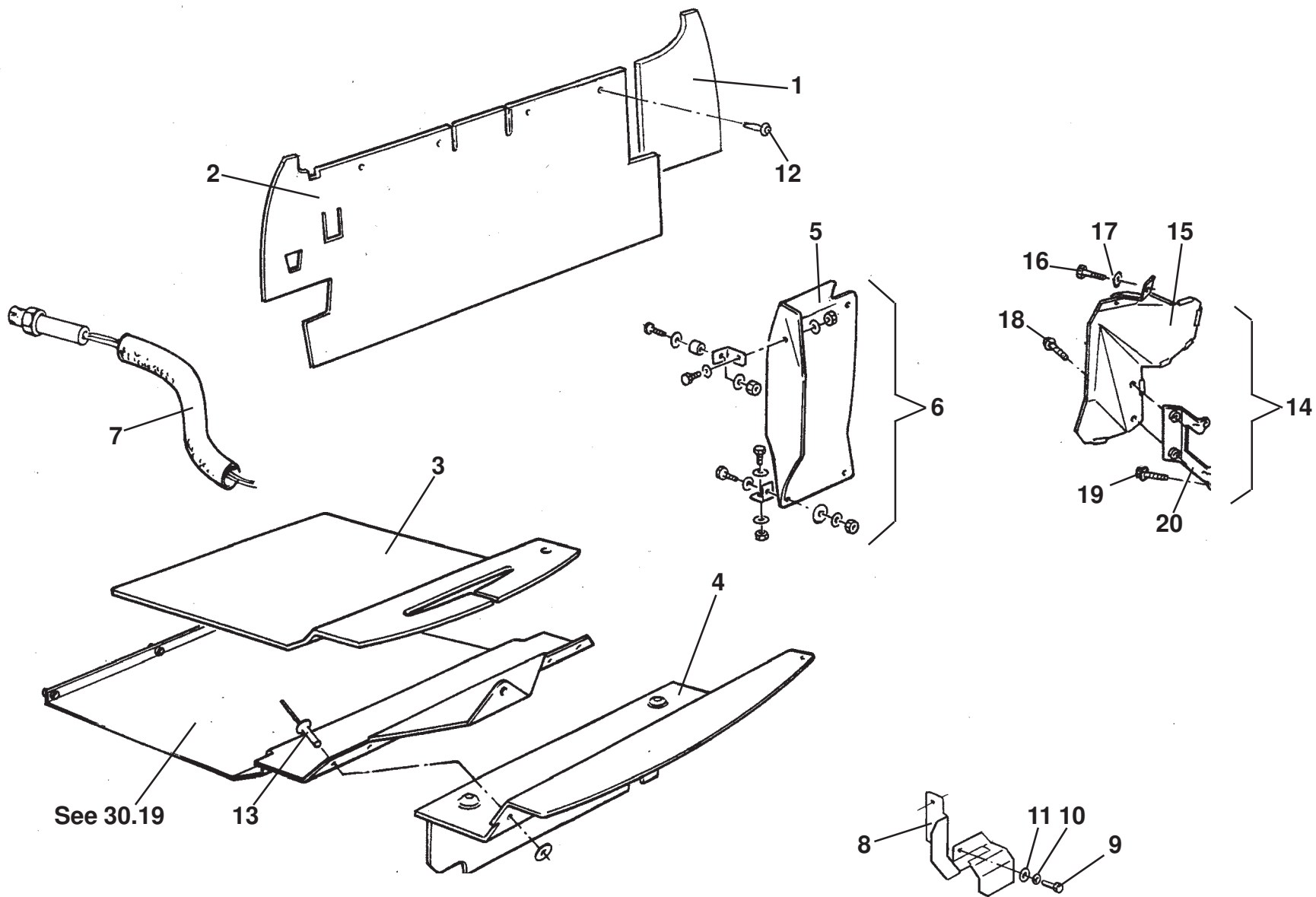


Function Code 45.01 Exhaust System

<u>Dep</u>	<u>Part Description</u>	<u>Remarks</u>	<u>Option</u>	<u>Part Number</u>	<u>Qty</u>
01	Pipe, manifold to catalyst			A340S6001F	1
02	Clamp, pipe to manifold			A340S6003F	1
03	Exhaust Mounting, silicon, blue			A111S0071F	4
04	Clip, exhaust hanger			A111S0023K	4
05	Bolt, M8 x 35, hex. hd.			A075W2038D	8
06	Washer, spring, M8			A075W4036Z	8
07	Washer, flat, M8			A075W4020Z	8
08	Catalyst	Includes studs		B111S6001F	1
08a	Catalyst, motorsport	Includes studs		A340S6010S	1
09	Gasket, pipe to catalyst			A111S6014F	2
10	Nut, M10 x 1.5, catalyst fixing			A111W3151F	6
11	Silencer			B111S6018F	1
12	Clamp, 50mm, tail pipes to silencer			A111S6022F	2
13	Tail Pipe, LH			B111S6019F	1
14	Tail Pipe, RH			B111S6020F	1
15	Nut Plate Assembly	Exhaust bracket to tailpipe fixing		A111S0019F	1
16	Setscrew, M8 x 20	Exhaust bracket to tailpipe fixing		A075W1038Z	1
17	Washer, spring ,M8	Exhaust bracket to tailpipe fixing		A075W4036Z	1

Function Code 45.01 Exhaust System

<u>Dep</u>	<u>Part Description</u>	<u>Remarks</u>	<u>Option</u>	<u>Part Number</u>	<u>Qty</u>
18	Washer, flat, M8 x 16.6	Exhaust bracket to tailpipe fixing		A075W4020Z	1
19	Flange Nut, M8			A111W3154F	4
20	Hanger, catalyst/silencer			C111S0017F	1
21	Pipe, catalyst replacement	Not illustrated	MOTOR SPORT	A111S0048S	1



EXIGE

45.05

Service Parts List **EXIGE**



Function Code 45.05 Heatshields

<u>Dep</u>	<u>Part Description</u>	<u>Remarks</u>	<u>Option</u>	<u>Part Number</u>	<u>Qty</u>
01	Heatshield, bulkhead RH	Foiled foam mat		A111S0044F	1
02	Heatshield, bulkhead LH	Foiled foam mat		C111S0045F	1
03	Heatshield, boot floor			A111S0024F	1
04	Heatshield, catalyst,			D111S0041F	1
05	Heatshield, manifold, phenolic resin	Bulkhead mounted, P/O item 6	Heater cars	A111S0040K	1
05a	Heatshield, manifold, alloy	Engine mounted	AC cars	A111S0092F	1
06	Heatshield Kit	Bulkhead mounted	Heater cars	A111S0043S	1
07	Heat Sleeve, oxygen sensor			A111E6026S	1
08	Heatshield, balljoint			A111S0074F	1
10	Washer, spring, M8			A075W4032Z	1
11	Washer, flat, M6 x 15 x 1.5			A075W4015Z	3
12	Plastic Fastener, heatshield to bulkhead			A111W6534F	4
13	Pop Rivet, 3/16, large flange, heatshield to floor			A089W6297F	3
14	Heatshield Kit, alternator/cam belt	Comprising items 17 to 22		A111E0044S	1
15	Heatshield, alternator/cam belt	Engine mounted	Heater cars	A111E6218F	1
15a	Heatshield, alternator/cam belt	Engine mounted	AC cars	A111E6126F	1
16	Setscrew, M8 x 20, flg. hd., heatshield to head			A075W4032Z	1
17	Washer, spring, M8			A075W4032Z	1

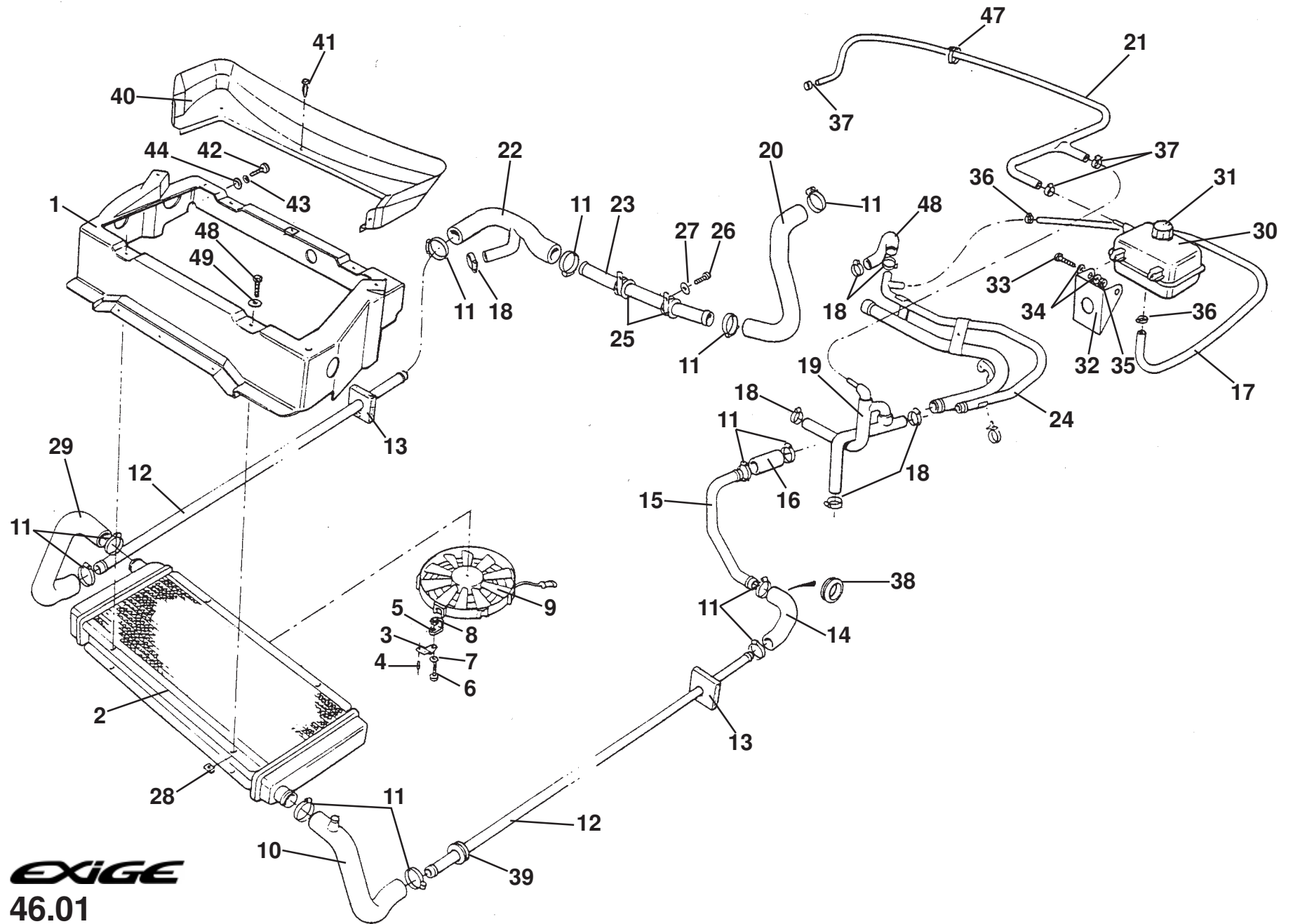
EXIGE

Function Code: 45.05, Page: 1

Updated 2nd February 2015

Function Code 45.05 Heatshields

<u>Dep</u>	<u>Part Description</u>	<u>Remarks</u>	<u>Option</u>	<u>Part Number</u>	<u>Qty</u>
18	Setscrew, M6 x 12, flg. hd., heatshield to bracket			A111E6007F	2
19	Setscrew, M10, flg. hd., bracket to block			A111E6225F	1
20	Mounting Bracket, heatshield			A111E6224F	1



EXIGE
46.01

Service Parts List **EXIGE**



Function Code 46.01 Engine Cooling System & Fan

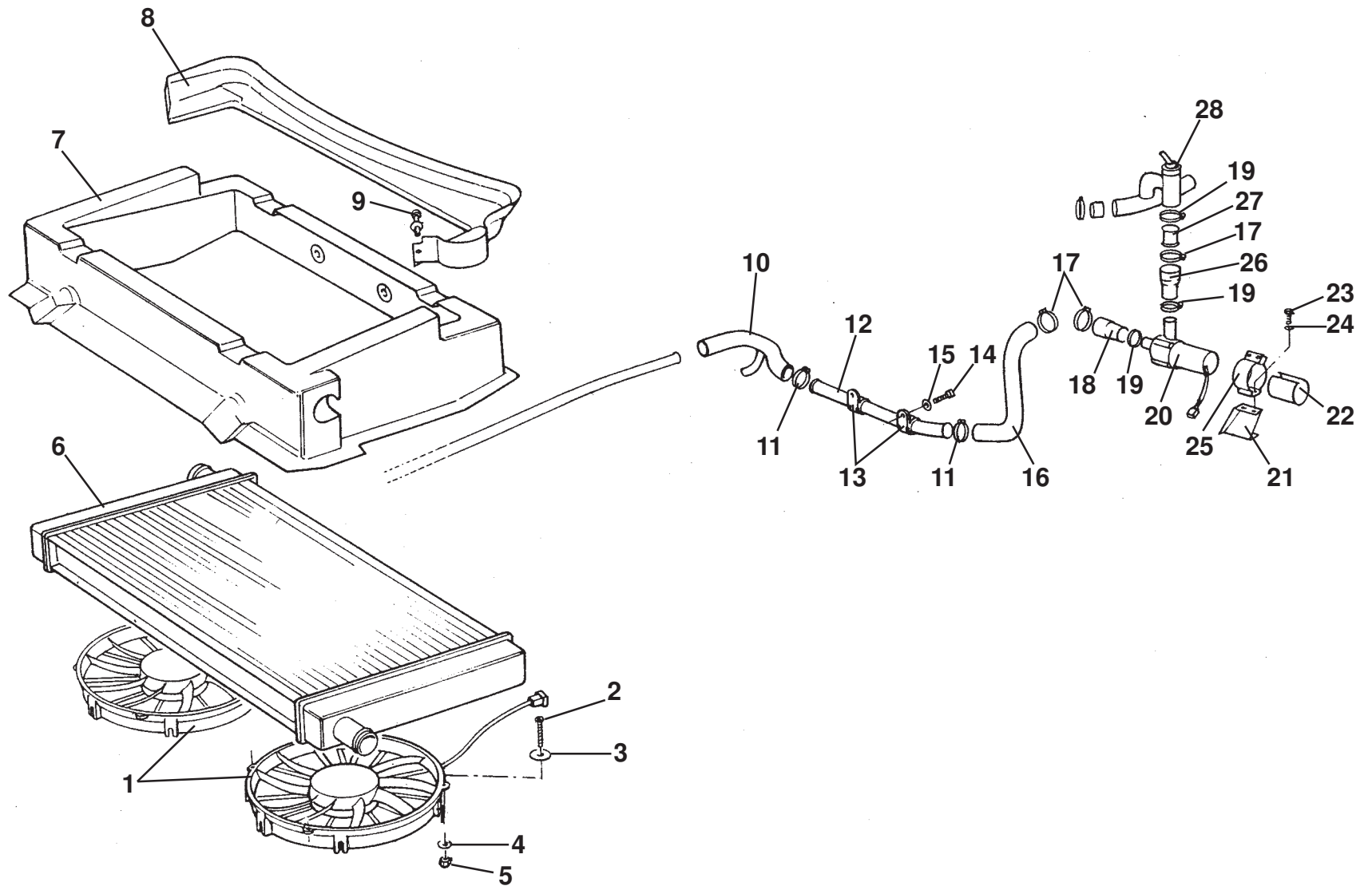
<u>Dep</u>	<u>Part Description</u>	<u>Remarks</u>	<u>Option</u>	<u>Part Number</u>	<u>Qty</u>
01	Radiator Housing			A111B0381K	1
02	Radiator			A111K0021F	1
03	Bracket, radiator fan mtg.			A111K0001F	4
04	Pop Rivet			A075W6087Z	8
05	Bracket, radiator fan mtg.			A111K6003F	4
06	Setscrew, M6 x 16			A075W1028Z	4
07	Washer, M6			A075W4017Z	4
08	Nyloc Nut, M6			A907E6285F	4
09	Radiator Cooling Fan			A111K6002F	1
10	Hose, pipe to radiator LH (Incl. bleed valve)			A111K0007F	1
11	Hose Clip, 25-40mm			A075M6145F	12
12	Pipe, chassis water rail			A111K0041F	2
13	Seal, pipe to chassis			A111A0033F	4
14	Hose, engine inlet			A111K0016F	1
15	Pipe, engine inlet			A111K0017F	1
16	Hose, engine inlet			A111K0015F	1
17	Hose, header tank to engine			A079P4056F	1
18	Hose Clip, 16-25mm			A079K6018F	11

Function Code 46.01 Engine Cooling System & Fan

<u>Dep</u>	<u>Part Description</u>	<u>Remarks</u>	<u>Option</u>	<u>Part Number</u>	<u>Qty</u>
19	Hose, coolant bypass heater return			A111K0004K	1
20	Hose, engine outlet			A111K0023F	1
21	Hose, header tank bleed			A111K0042F	1
22	Hose, engine outlet/heater feed			A111K0029F	1
23	Pipe, engine outlet			A111K0030F	1
24	Coolant Pipe, engine return	Mounted on engine		A111E6229S	1
25	'P' Clip			A111W6573F	1
26	Setscrew, M8 x 25			A075W1039Z	1
27	Washer, M8			A075W4020Z	3
28	Cage Nut, rad. to housing			A100W6362F	4
29	Hose, pipe to radiator, RH			A111K0008F	1
30	Header Tank			A111K6004F	1
31	Pressure Cap			A111K6001F	1
32	Bracket, header tank mounting			C111K0003F	1
33	Setscrew, M6 x 25 S/S			A918W115F	2
34	Washer, M6			A075W4015Z	4
35	Nyloc Nut, M6			A907E6285F	2
36	Hose Clip, 20-32mm			B907E6085F	2
37	Hose Clip, 8-16mm			A082L6042F	3
38	Grommet, hose through chassis rear			A082K6022F	2
39	Grommet, pipe through chassis front			A111K6006F	2

Function Code 46.01 Engine Cooling System & Fan

<u>Dep</u>	<u>Part Description</u>	<u>Remarks</u>	<u>Option</u>	<u>Part Number</u>	<u>Qty</u>
40	Sealing Fence, rad. housing to bonnet			A111B0020K	1
41	Plastic Fastener, fence fix.			A111W6535F	5
42	Screw, M5 x 16, pozi., housing to crash structure			A082W5107F	6
43	Washer, spring, M5			A082W4097F	6
44	Washer, flat, 0.75"			A075W4009Z	6
45	Setscrew, M6 x 16, hex. hd., rad. to housing			A075W1028Z	4
46	Washer, flat, M6 x 25 x 1.4			A075W4017Z	4
47	Clip			A082W6587F	2
48	Hose, bypass, pipe to thermostat			A111E6459S	1
49	Antifreeze	Not illustrated		A082K6063V	4 Ltr



EXIGE

46.02

Service Parts List **EXIGE**

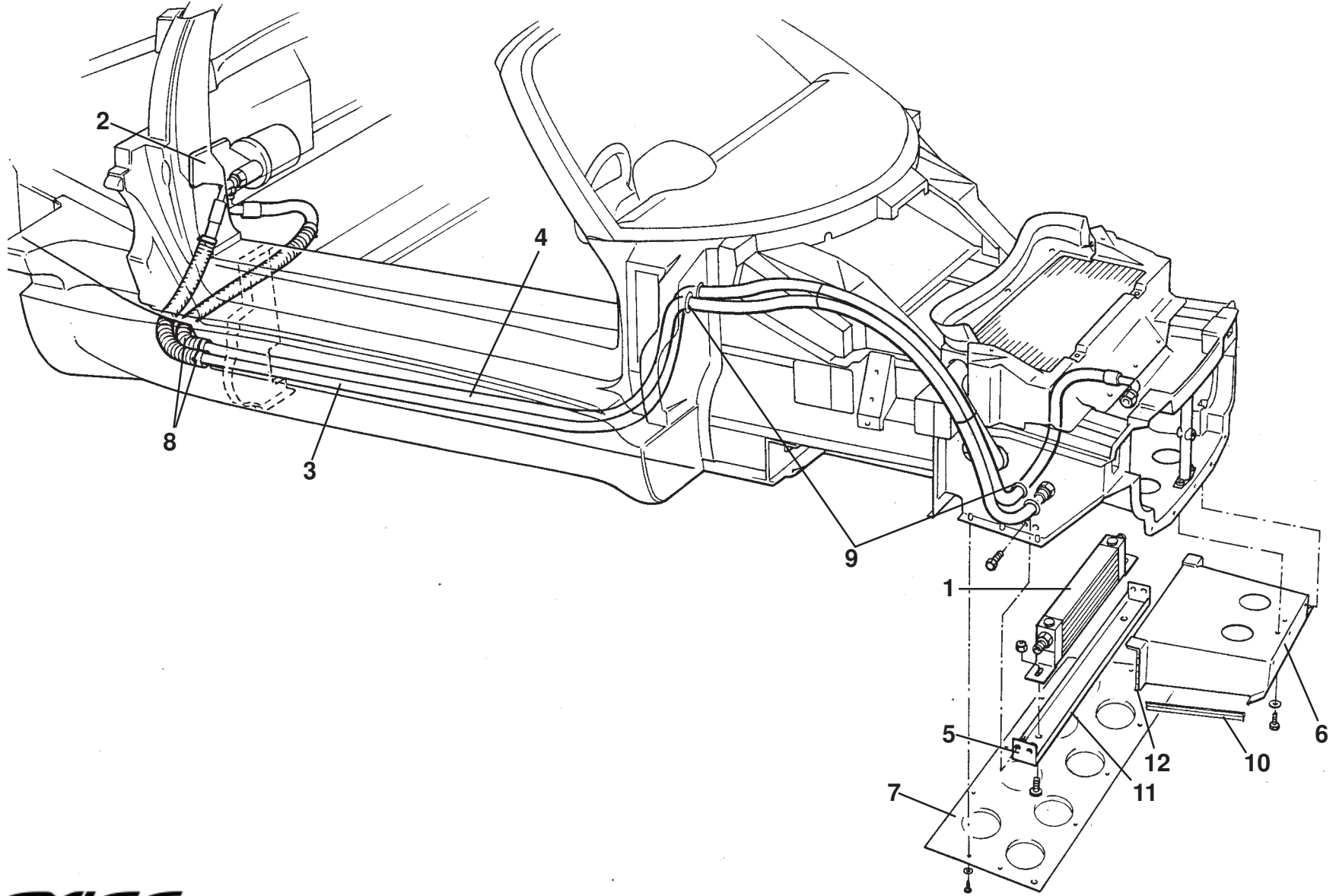


Function Code 46.02 Engine Cooling System & Fans, AC Cars

<u>Dep</u>	<u>Part Description</u>	<u>Remarks</u>	<u>Option</u>	<u>Part Number</u>	<u>Qty</u>
01	Fan, radiator cooling	Mounted on condenser		A111M6070F	2
02	Screw, M5 x 30, pan hd., pozi. black, fan to condenser			A082W5142F	8
03	Washer, flat, M5 x 19			B075W009Z	8
04	Washer, flat, 3/16 x 0.5"			A075W4000Z	8
05	Nyloc Nut, M5			A075W3008Z	8
06	Radiator, 20 fpi		Also heater only cars	A111K0021F	1
07	Radiator Housing		Also heater only cars	A111B0381K	1
08	Sealing Fence, rad. housing to bonnet		AC cars	A111B0397K	1
09	Fastener, plastic, sealing fence to radiator housing			A111W6535F	5
10	Hose, engine outlet			A111K0029F	1
11	Hose Clip			A075M6145F	2
12	Water Pipe			A111K0024F	1
13	'P' Clip, water pipe securing			A111W6624F	2
14	Bolt, M6 x 25, hex hd, clip to chassis			A918W1151F	2
15	Washer, flat, M6 x 12.1 x 1, clip to chassis			A075W4013Z	2
16	Hose, upper engine bay, engine outlet			A111K0023F	1
17	Hose Clip			A075M6145F	3
18	Hose, moulded, hot soak pump to engine			B111P0169F	1

Function Code 46.02 Engine Cooling System & Fans, AC Cars

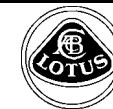
<u>Dep</u>	<u>Part Description</u>	<u>Remarks</u>	<u>Option</u>	<u>Part Number</u>	<u>Qty</u>
19	Hose Clip			B907E6085Z	4
20	Recirculation Pump			A082K4263F	1
21	Mounting Bracket, recirc. pump			A111P0168F	1
22	Rubber Sleeve, clamp to recirc. pump			A100K0041K	1
23	Setscrew, M5 x 16, hex. hd., clamp to bracket			A075W1085F	2
24	Washer, int. shakeproof, M5, clamp to bracket			A075W4045Z	2
25	Clamp, recirc. pump mounting			B100K0040F	1
26	Hose, special, recirc. pump			A111P0232F	1
27	Adaptor sleeve, recirc. pump			A111P0170F	1
28	Hose, coolant bypass			A111P0171K	1



EXIGE

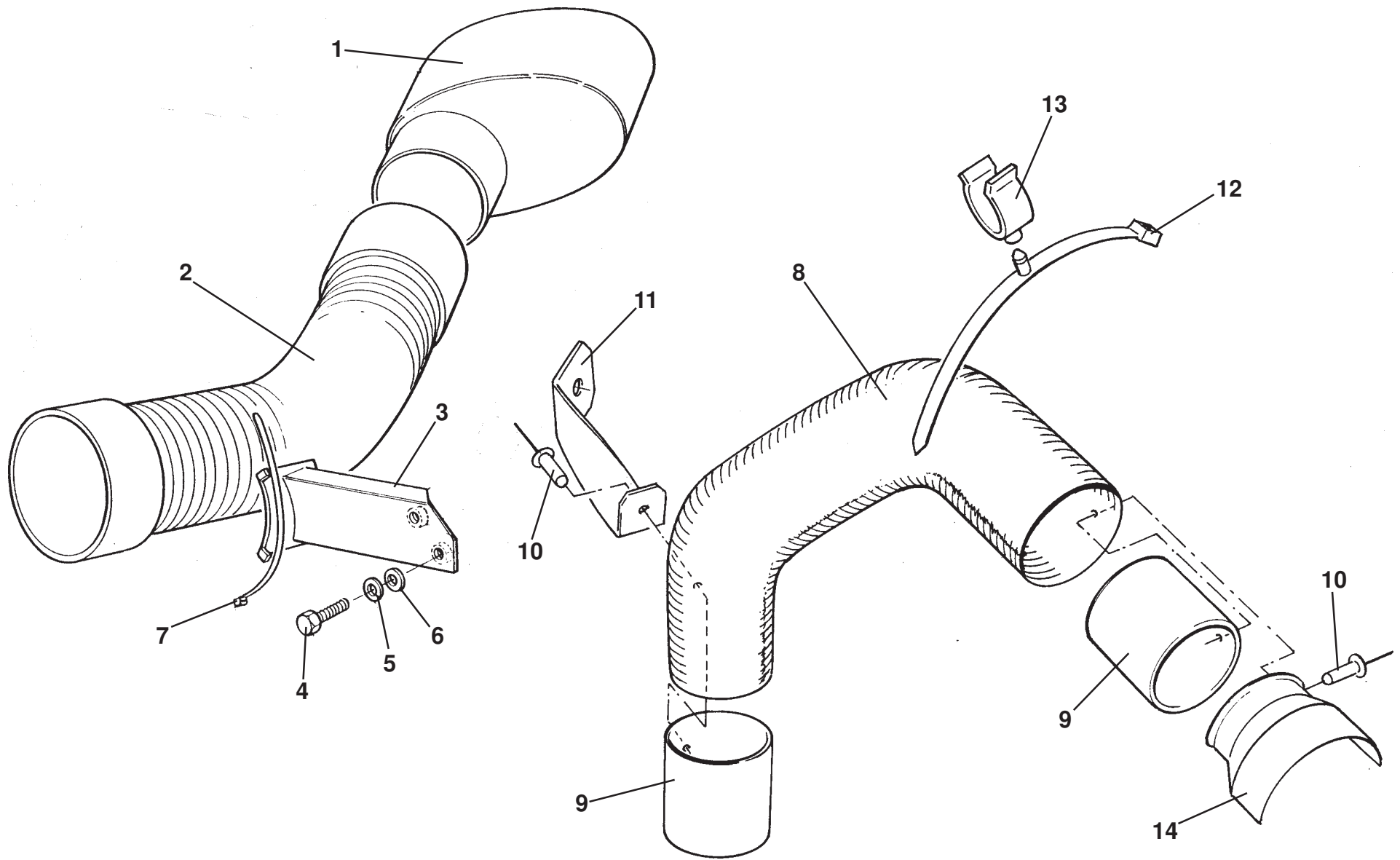
46.03

Service Parts List **EXIGE**



Function Code 46.03 Oil Cooler/Heat Exchanger & Pipes

<u>Dep</u>	<u>Part Description</u>	<u>Remarks</u>	<u>Option</u>	<u>Part Number</u>	<u>Qty</u>
01	Oil Cooler			A111K0036F	1
02	Oil Filter Housing	Also see 40.15		A111E6146F	1
03	Hose, oil cooler feed			A111K0035F	1
04	Hose, oil cooler return	Includes heatshield sleeving, item:13	A111K0034F R/B	B111K0034J	1
05	Mounting Bracket, oil cooler			A111K0032F	1
06	Duct, oil cooler			A111K0039F	1
07	Undertray, front	Also see 10.04		A111B0400F	1
08	Convolute Hose Protector			A082V7779V	0.3M
09	Grommet, cooler hose		A082H6046F R/B	A111G6012F	4
10	Weather Seal	Underside of cooler duct		A089U6055F	0.46M
11	Self adhesive foam, 25 x 12.5 mm	Beneath oil cooler mtg. brkt.		A082U6065V	0.5M
12	Self adhesive foam, 19 x 3 mm	Duct to cooler		A082U6067F	0.5M
13	Heatshield Sleeving	Part of hose assy, item: 4		A082H4077V	1.0M



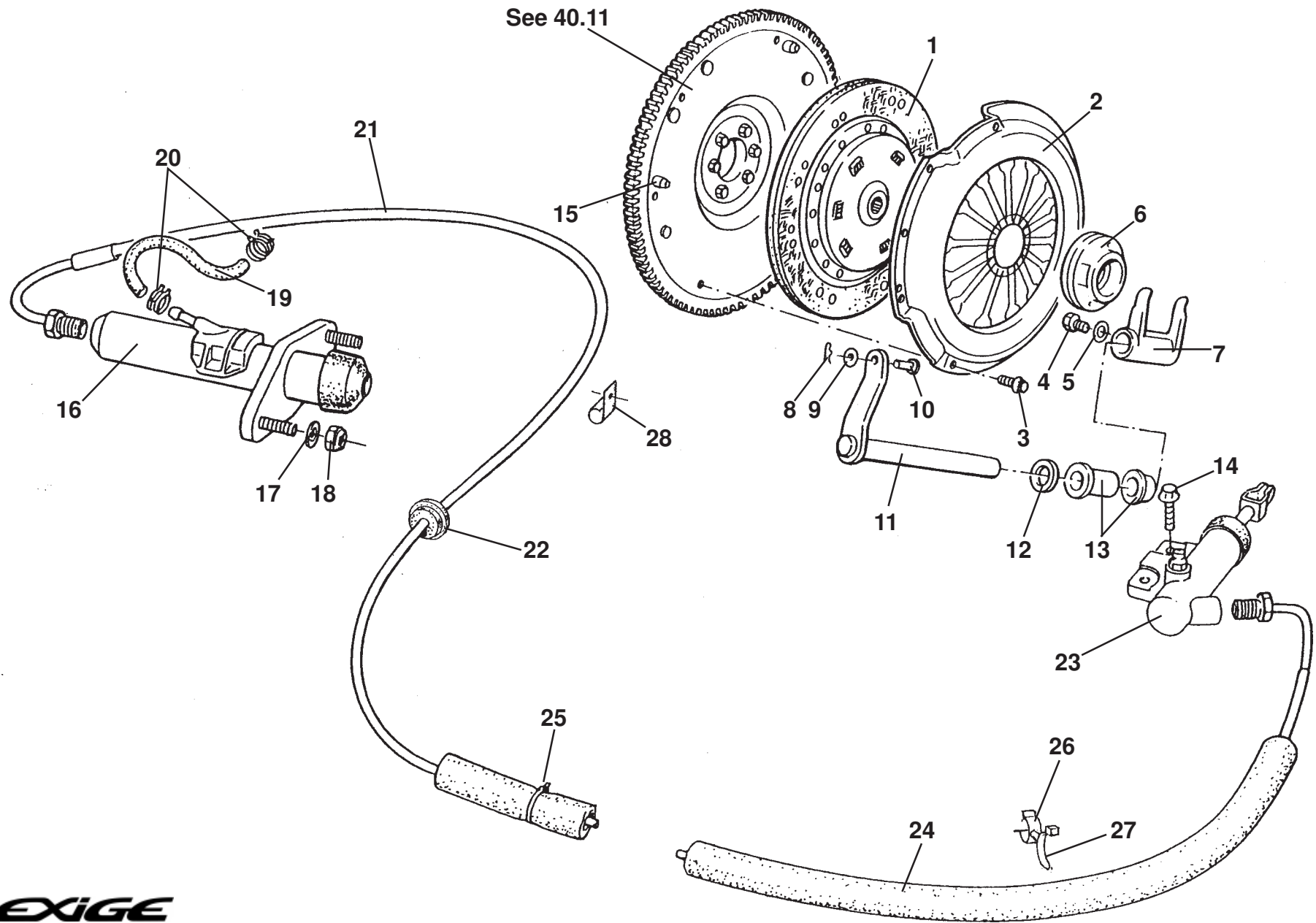
EXIGE
46.05

Service Parts List *EXIGE*



Function Code 46.05 Engine Bay Cooling, Ducts & Trunking

<u>Dep</u>	<u>Part Description</u>	<u>Remarks</u>	<u>Option</u>	<u>Part Number</u>	<u>Qty</u>
01	Adaptor, intake duct	If fitted	AC cars	A111E0025K	1
02	Hose, adaptor to alternator	If fitted	AC cars	A111E0030F	1
03	Bracket, hose fixing	If fitted	AC cars	A111E0026F	1
04	Setscrew, M5 x 12, hex. hd., bracket fixing	If fitted	AC cars	A100W1090F	2
05	Washer, spring, M5., bracket fixing	If fitted	AC cars	A082W4097F	2
06	Washer, flat, M5 x 10., bracket fixing	If fitted	AC cars	A075W4011Z	2
07	Cable Tie, hose to bracket	If fitted	AC cars	A075W6230Z	1
08	Hose, 600mm dia., intake to alternator		Heater only cars	A111B6218V	1
09	Insert, hose ends		Heater only cars	A111B0856F	2
10	Pop Rivet, inserts, bracket & adaptor fix.		Heater only cars	A085W6259F	2
11	Bracket, hose assy, to heatshield		Heater only cars	B111B0834F	1
12	Cable Tie, swivel, trunking to clip		Heater only cars	A082W6324F	1
13	Clip, swivel , cable tie to roll-over bar stay		Heater only cars	A089W6287F	1
14	Adaptor, intake duct to hose assy.		Heater only cars	A111E0017K	1
15	Washer, flat, 3/16 " x 0.5", pop rivet to adaptors	Not illustrated	Heater only cars	A075W4000Z	2



EXIGE

47.01

Service Parts List *EXIGE*

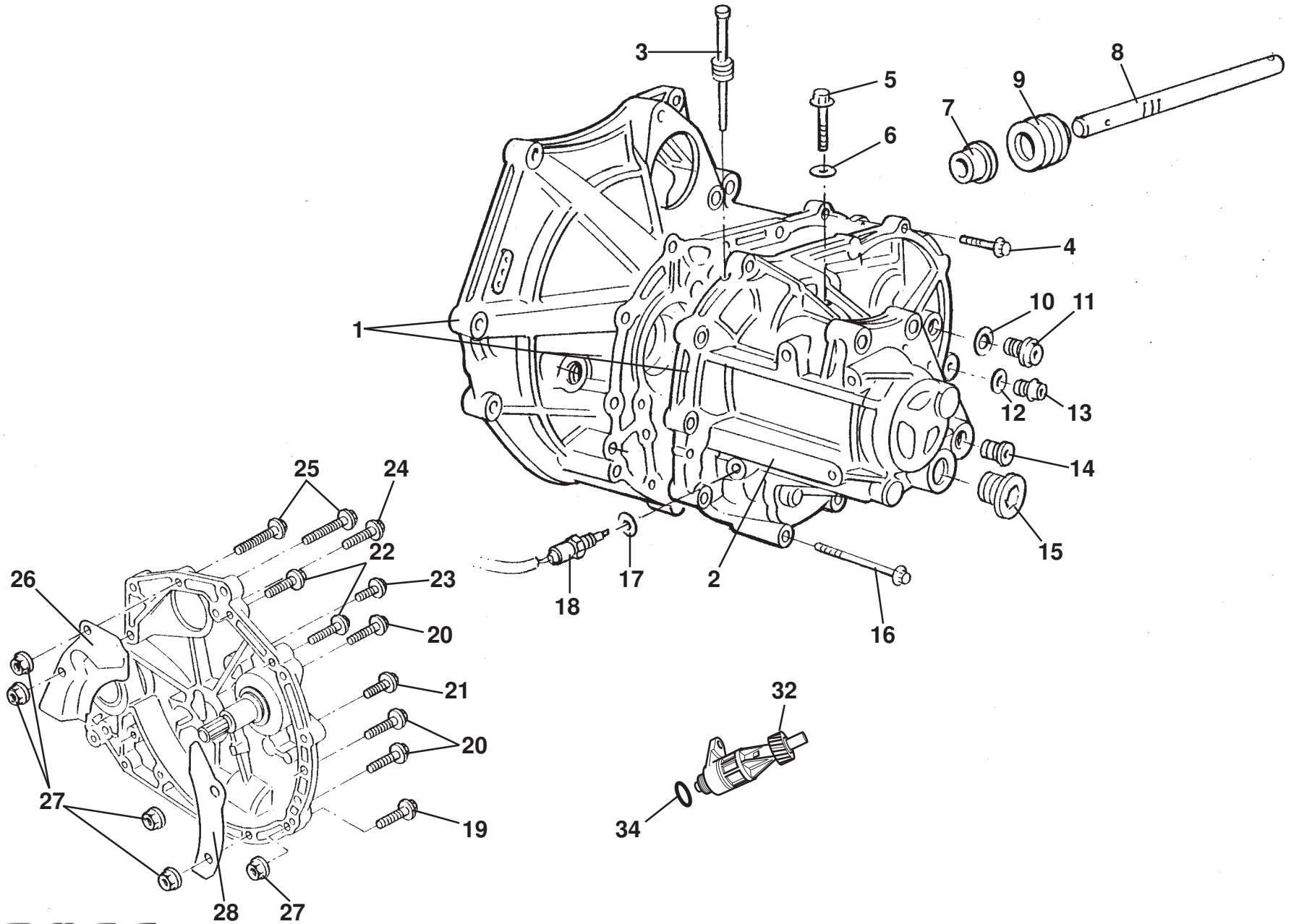


Function Code 47.01 Clutch & Release Mechanism

<u>Dep</u>	<u>Part Description</u>	<u>Remarks</u>	<u>Option</u>	<u>Part Number</u>	<u>Qty</u>
01	Clutch Driven Plate			A111Q6005S	1
02	Clutch Cover			A111Q6004S	1
03	Bolt, clutch to flywheel			A111Q6010S	6
04	Bolt, release fork to shaft			A111Q6013S	1
05	Washer, flat			A111Q6014S	1
06	Clutch Release Bearing			A111Q6007S	1
07	Clutch Fork			A111Q6011S	1
08	'R' Clip			A082W6348F	1
09	Washer, spring, fork to shaft			A111Q6014S	1
10	Clevis Pin	Rover PC108321 (A)		TBA	1
11	Lever/Shaft, clutch release fork			A111Q6012S	1
12	Seal, clutch shaft			A111F6031S	1
13	Bush Kit, Clutch shaft			A111F6032S	1
14	Screw, M10 x 22, slave cylinder to mtg. bracket			A111E6140S	2
15	Dowel, clutch to flywheel			A111Q6009S	3
16	Clutch Master Cylinder	Supplied with push rod not used for Elise reuse original pushrod & stop washer		A111Q6001F	1
17	Washer, M8 x 16.6, master cylinder to pedal box			A075W4020F	2

Function Code 47.01 Clutch & Release Mechanism

<u>Dep</u>	<u>Part Description</u>	<u>Remarks</u>	<u>Option</u>	<u>Part Number</u>	<u>Qty</u>
18	Nyloc Nut, M8, master cylinder to pedal box			A111W3126F	2
19	Hose, reservoir to clutch master cylinder		C111J0085F R/B	A117J0082F	1
20	Clip, hose to reservoir to cylinder			A918W6541F	2
21	Pipe Assembly, clutch			A111Q0005S	1
22	Grommet, clutch pipe to bulkhead			A075U6043F	1
23	Clutch Slave Cylinder			A111Q6006S	1
24	Tube, anti rattle clutch pipe through body side			A111J0084K	1
25	Cable Tie, tube to clutch pipe			A075W6038Z	4
26	Swivel Clip, cable tie fixing			A082W6587F	2
27	Cable Tie, swivel clip type			A082W6324F	2
28	'P' Clip, pipe fixing		RHD	A075W6228F	1
29	Repair Kit, slave cylinder	Not illustrated		A111Q6008S	1



EXIGE

47.03

Updated 24th January 2013

Service Parts List **EXIGE**



Function Code 47.03 Transmission Assembly

<u>Dep</u>	<u>Part Description</u>	<u>Remarks</u>	<u>Option</u>	<u>Part Number</u>	<u>Qty</u>
01	Transmission Assy., close ratio, 4.2 FD			A111F0034S	1
02	Transmission Main Casing			A111F6037S	1
03	Breather Pipe			A111E6169S	1
04	Bolt, M10 x 42, flg. hd., transmission to clutch housing			A111F6161S	12
05	Bolt, flg. hd., reverse idler shaft fixing			A111F6162S	1
06	Washer, reverse idler shaft fixing			A111F6163S	1
07	Oil Seal, Gearshift Rod			A111F6023S	1
08	Rod, Gearshift			A111F6033S	1
09	Gaiter, gear shift rod			A111F6180S	1
10	Washer, filler/level plug, 20 mm			A111F6166S	1
11	Plug, filler/ level			A111F6165S	1
12	Washer, drain plug			A111E6035S	1
13	Drain Plug			A111F6026S	1
14	Sealing Plug, rear of transmission case			A111F6168S	1
15	Plug, access to output shaft bearing circlip, 32 mm			A111F6167S	1
16	Bolt, M10 x 92, flg. hd., transmission to clutch housing			A111F6164S	2
17	Sealing Washer, reverse switch			A111E6035S	1
18	Reverse Lamp Switch			A111F6021S	1

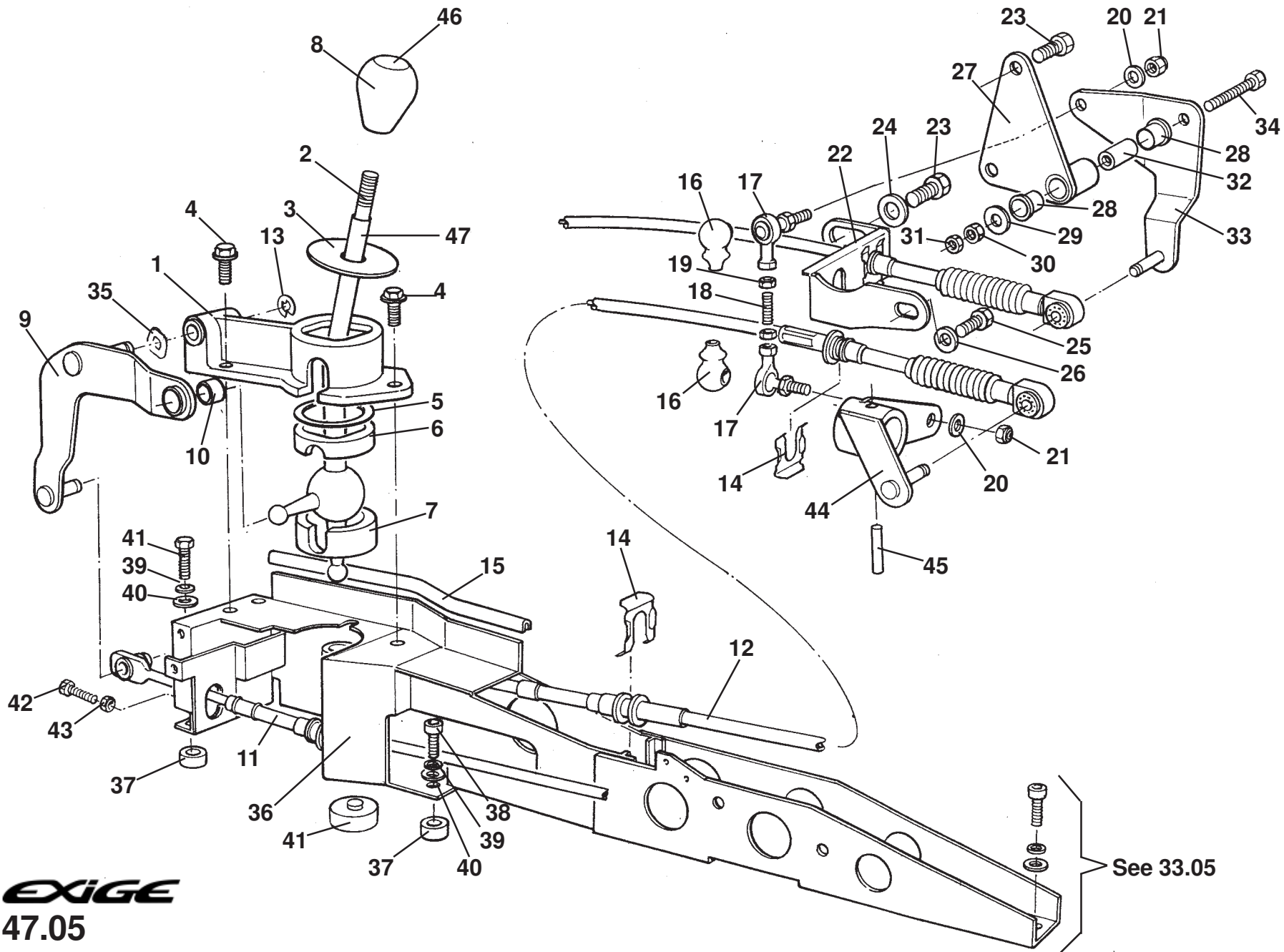
EXIGE

Function Code: 47.03, Page: 1

Updated 24th January 2013

Function Code 47.03 Transmission Assembly

<u>Dep</u>	<u>Part Description</u>	<u>Remarks</u>	<u>Option</u>	<u>Part Number</u>	<u>Qty</u>
19	Bolt, M12 x 80, transmission to engine			A111F6170S	1
20	Bolt, M12 x 50, transmission to engine			A111F6171S	3
21	Screw, M10 x 35, transmission to engine			A111F6172S	1
22	Bolt, M12 x 30, transmission to engine			A111F6181S	2
23	Screw, M10 x 30, transmission to engine			A111F6174S	1
24	Bolt, M12 x 65, transmission to engine			A111F6175S	1
25	Bolt, M12 x 90, transmission to engine			A111F6176S	2
26	Closure Plate, rear			A111F6177S	1
27	Nut, M12, front/rear closure plates fixing			A111F6178S	5
28	Closure Plate, front			A111F6179S	1
29	Magnet, swarf attraction, transmission case	Not illustrated		A111F6100S	1
30	Dowel, clutch housing to gearbox	Not illustrated		A111F6197S	2
31	Gearbox Oil, Texaco MTF 94	Not illustrated		A111F6017V	2.1ltr
32	Speedo Driven Gear Assembly			A111F6038S	1
33	Screw Driven Gear Assembly	Not illustrated		A111F6039S	1
34	'O' Ring Driven Gear Assembly			A111F6020S	1



EXIGE
47.05

Service Parts List **EXIGE**



Function Code 47.05 Gearchange Mechanism, External

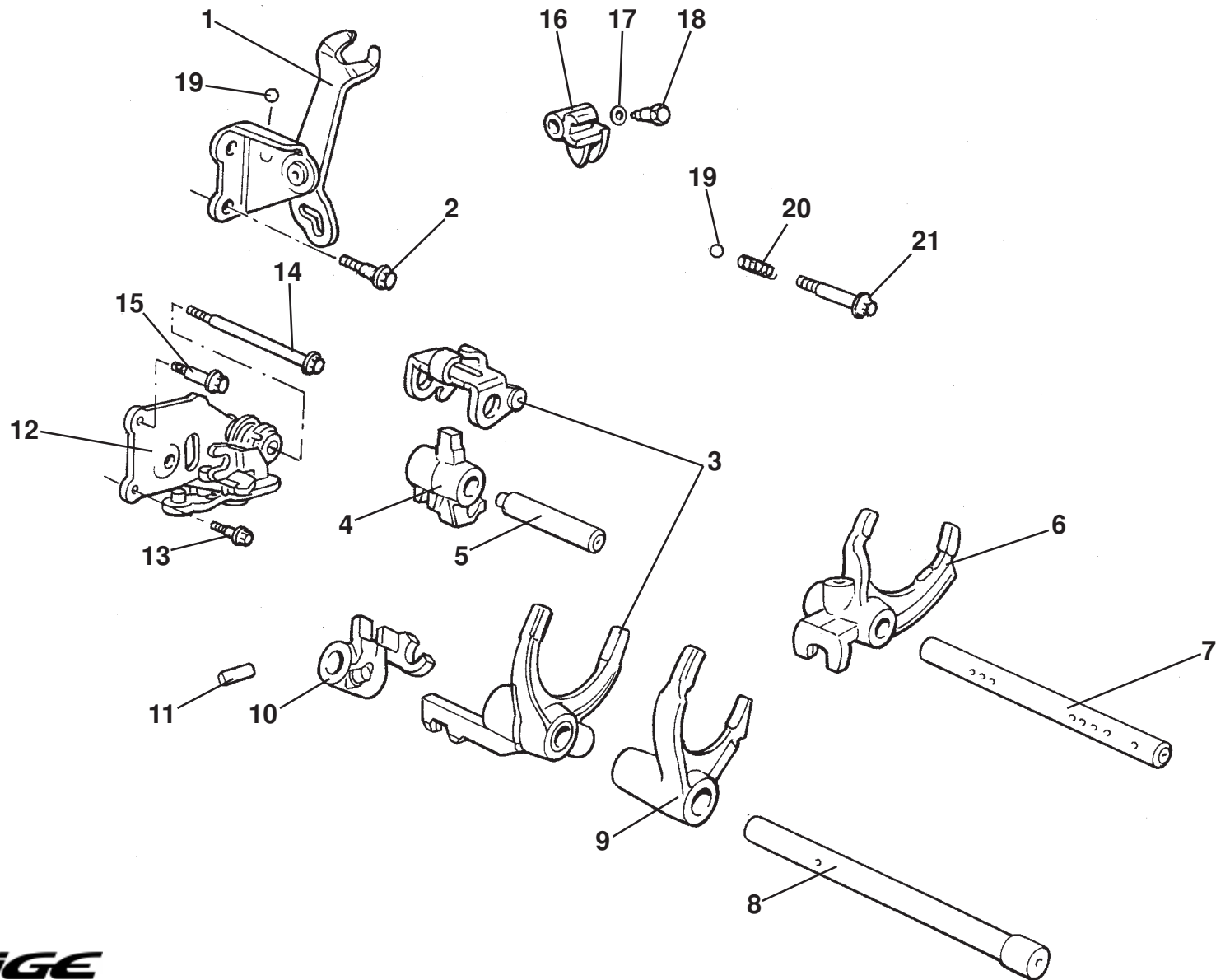
<u>Dep</u>	<u>Part Description</u>	<u>Remarks</u>	<u>Option</u>	<u>Part Number</u>	<u>Qty</u>
01	Housing, gear lever pivot			A111F6008F	1
02	Gear Lever	Incudes heatshrink, item 48		A111F0013H	1
03	Dust Shield, gear lever			A111F0005K	1
04	Screw, self tap., housing to bracket			A111F6014F	3
05	Gasket/Spacer, neoprene			A111F6010H	1
06	Socket, upper			A111F6009H	1
07	Socket, lower			A111F6011H	1
08	Knob, gear lever, alloy			C111F0002F	1
09	Bellcrank & Pivot Pin Assembly			A111F6006H	1
10	Bush, bellcrank to lever			A111F6005H	1
11	Crossgate Cable, gearchange			A111F0004F	1
12	Selector Cable, gearchange			A111F0003F	1
13	Circlip, type 'E', pivot retention			A111E6012H	1
14	Retaining Clip, gear change			A111F6018F	4
15	Edging Strip, rubber			B075U6054V	0.13m
16	Boot, gear linkage			A082F4149F	2
17	Rod End, gear change			A082F6368F	2
18	Tie Rod			B111F0028F	1

Function Code 47.05 Gearchange Mechanism, External

<u>Dep</u>	<u>Part Description</u>	<u>Remarks</u>	<u>Option</u>	<u>Part Number</u>	<u>Qty</u>
19	Locknut			A082W3085F	2
20	Washer, flat, M5 x 12 x 1.4			A075W4013Z	2
21	Nyloc Nut, M5			A075W3009Z	2
22	Bracket Abutment, gear linkage			A111F0015F	1
23	Screw, M12 x 1.25 x 30, flg. hd., bracket to gearbox		A111W1159F R/B	A117W2205F	2
24	Washer, flat, M12 x 23.5 x 2.3			A075W4028Z	1
25	Screw, M10 x 25, hex. hd., bracket to gearbox			A075W1048Z	1
26	Washer, flat, M10 x 20 x 1.8			A075W4024Z	1
27	Pivot Plate Assembly			A111F0023F	1
28	Bush			A111F6015F	2
29	Washer, flat, M8			A079W4019F	1
30	Nut, M8, full hex.			A075W3021Z	1
31	Nut, M8, hex thin			A075W3026Z	1
32	Pivot Shaft, gear linkage			A111F0026F	1
33	Crossgate Selector			A111F0016F	1
34	Screw, M8 x 45 hex. hd.			A075W1043Z	1
35	Washer, wavy, M10 x 15 x 0.16			A111W4167F	1
36	Mounting Bracket, gear selector mechanism			C111F0006F	1
37	Spacer, mounting bracket to gear selector			A111F0012F	3
38	Screw, M8 x 30, cap hd., bracket to floor			A089W7052F	1
39	Washer, spring, M8			A075W4036Z	3

Function Code 47.05 Gearchange Mechanism, External

<u>Dep</u>	<u>Part Description</u>	<u>Remarks</u>	<u>Option</u>	<u>Part Number</u>	<u>Qty</u>
40	Washer, flat, M8 x 16.6 x 1.4			A075W1085F	1
41	Spacer, gear selector mounting bracket to step plate			A111F0032F	2
42	Screw, M5 x 16, hex. hd.			A075W1085F	1
43	Nut, M5, crossgate stop			A082W3084F	1
44	Link, gear selector			B111F0019F	1
45	Translator Pin, gearbox			A111F6019F	1
46	Label, gear change pattern			A111U0004F	1
47	Heatshrink Tube, gearlever	Part of lever, item 2		A111V6021V	As req.
48	Permabond A130, knob to lever	Not illustrated		A912E7033V	As req.



EXIGE
47.06

Service Parts List **EXIGE**

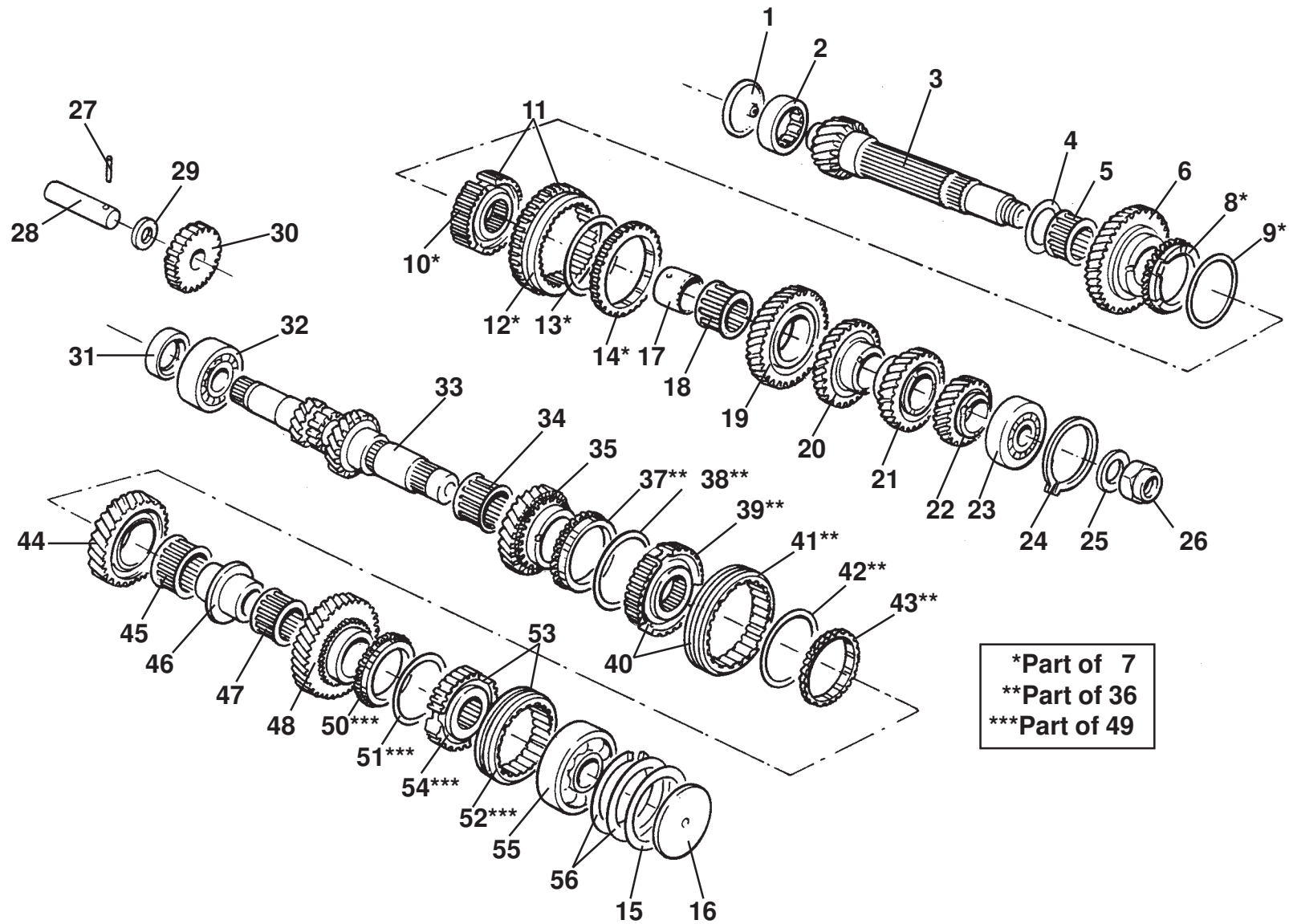


Function Code 47.06 Gear Selector Mechanism, Internal

<u>Dep</u>	<u>Part Description</u>	<u>Remarks</u>	<u>Option</u>	<u>Part Number</u>	<u>Qty</u>
01	Reverse Selector Fork			A111F6143S	1
02	Bolt, M6 x 22.5 , retainer fixing			A111F6144S	2
03	Kit: Interlock Guide/Selector Fork, 3rd/4th gears			A111F6156S	1
04	Gearshift Arm Guide			A111F6146S	1
05	Selector Shaft			A111F6147S	1
06	Selector Fork, 1st / 2nd gears			A111F6148S	1
07	Selector Shaft, 1st / 2nd gears			A111F6149S	1
08	Selector Shaft, 5th / reverse gears			A111F6150S	1
09	Selector Fork, 5th gear			A111F6151S	1
10	Gear Selector, 5th / reverse gears			A111F6153S	1
11	Roll Pin, 5th / reverse selector			A111F6154S	1
12	Translator Assembly			A111F6202S	1
13	Bolt, M6 x 22.5 mm, translator fix.			A111F6155S	2
14	Bolt, special, M8, flg. hd., translator fix.			A111F6204S	
15	Bolt, M6 x 18, flg. hd., translator fix.			A111F6203S	
16	Selector Shaft Guide			A111F6198S	
17	Dowel Bolt, M8 x 24, flg. hd.			A111F6199S	
18	Washer, spring, M6			A111F6014S	

Function Code 47.06 Gear Selector Mechanism, Internal

<u>Dep</u>	<u>Part Description</u>	<u>Remarks</u>	<u>Option</u>	<u>Part Number</u>	<u>Qty</u>
19	Steel Ball, detent			A111F6201S	
20	Spring, detent			A111F6206S	
21	Cap Bolt, spring retention			A111F6205S	



EXIGE
47.07

Service Parts List **EXIGE**



Function Code 47.07 Gears, Shafts & Bearings

<u>Dep</u>	<u>Part Description</u>	<u>Remarks</u>	<u>Option</u>	<u>Part Number</u>	<u>Qty</u>
01	Oil Guide Plate, input shaft			A111F6065S	1
02	Caged Roller Bearing, output shaft			A111F6066S	1
03	Output Shaft, 15 teeth			A111F6189S	1
04	Selective Thrust Washer, 1.96 mm	1st gear end float adjustment		A111F6068S	As req.
04a	Selective Thrust Washer, 1.99 mm	1st gear end float adjustment		A111F6069S	As req.
04b	Selective Thrust Washer, 2.02 mm	1st gear end float adjustment		A111F6070S	As req.
04c	Selective Thrust Washer, 2.05mm	1st gear end float adjustment		A111F6071S	As req.
04d	Selective Thrust Washer, 2.08mm	1st gear end float adjustment		A111F6072S	As req.
05	Needle Roller Bearing, 1st gear			A111F6073S	1
06	1st Gear			A111F6190S	1
07	Synchroniser Assembly, 1st/2nd gear	Includes items: 8/9/10/12/13/14		A111F6075F	1
08	Synchro Ring, 1st gear	Part of item: 7		A111F6076F	1
09	Synchro Spring, 1st gear	Part of item: 7		A111F6077S	1
10	Synchro Hub, 1st/2nd gear	Part of item: 7 & 11		A111F6078S	1
11	Synchro Hub/Sleeve Assembly	Assy. of items: 10 & 12		A111F6109S	1
12	Synchro Sleeve, 1st/2nd gear	Part of item: 7 & 11		A111F6079S	1
13	Synchro Spring, 2nd gear	Part of item: 7		A111F6080S	1
14	Synchro Ring, 2nd gear	Part of item: 7		A111F6081S	1

Function Code 47.07 Gears, Shafts & Bearings

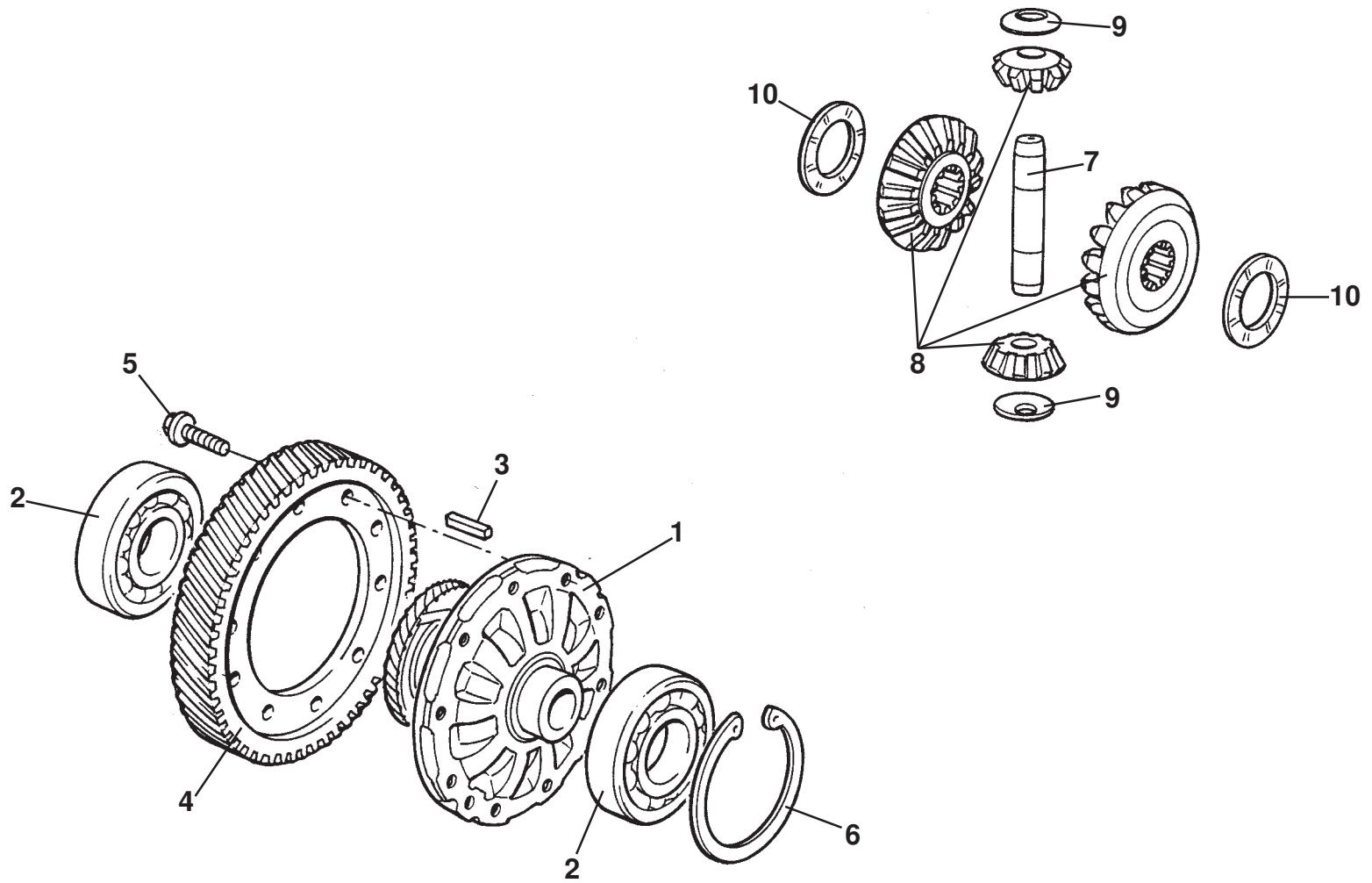
<u>Dep</u>	<u>Part Description</u>	<u>Remarks</u>	<u>Option</u>	<u>Part Number</u>	<u>Qty</u>
15	Thrust Washer, input shaft end			A111F6139S	1
16	Oil Guide Plate			A111F6140S	1
17	Selective Collar, 2nd gear end float adjustment			A111F6082F	As req.
17a	Selective Collar, 2nd gear end float adjustment			A111F6083S	As req.
17b	Selective Collar, 2nd gear end float adjustment			A111F6084S	As req.
17c	Selective Collar, 2nd gear end float adjustment			A111F6085S	As req.
18	Needle Roller Bearing, 2nd gear			A111F6086S	1
19	2nd Gear, 35 teeth			A111F6191S	1
20	3rd Gear, 34 teeth			A111F6088S	1
21	4th Gear, 31 teeth			A111F6089S	1
22	5th Gear			A111F6188S	1
23	Ball Bearing, output shaft			A111F6091S	1
24	Circlip, 60 mm			A111F6095S	1
25	Washer, tongued belleville, M23			A111F6093S	1
26	Lock Nut, M23 , LH thread, output shaft			A111F6094S	1
27	Roll Pin, reverse idler shaft locking.			A111F6097S	1
28	Reverse Idler Shaft			A111F6096S	1
29	Thrust Washer, reverse idler gear			A111F6098S	1
30	Reverse Idler Gear			A111F6099S	1
31	Oil seal, input Shaft			A111F6024S	1
32	Ball bearing, input shaft			A111F6101S	1

Function Code 47.07 Gears, Shafts & Bearings

<u>Dep</u>	<u>Part Description</u>	<u>Remarks</u>	<u>Option</u>	<u>Part Number</u>	<u>Qty</u>
33	Input Shaft		A111F6193S R/B	A111F6208S	1
34	Needle Roller Bearing, 3rd Gear			A111F6104S	1
35	3rd Gear, 26 teeth			A111F6103S	1
36	Synchroniser Assembly, 3rd/4th gear	Includes items: 37/38/39/41/42/43		A111F6105S	1
37	Synchro Ring, 3rd Gear	Part of item: 36		A111F6106S	1
38	Synchro Spring, 3rd Gear	Part of item: 36		A111F6107S	1
39	Synchro Hub, 3rd/4th Gear	Part of item: 36 & 40		A111F6110S	1
40	Synchro Hub/Sleeve assembly, 3rd/4th gear	Assy. of items: 39 & 41		A111F6108S	1
41	Synchro Sleeve, 3rd/4th Gears	Part of item: 36 & 40		A111F6111S	1
42	Synchro Spring, 4th Gear	Part of item: 36		A111F6112S	1
43	Synchro Ring, 4th Gear	Part of item: 36		A111F6113S	1
44	4th Gear, 30 teeth			A111F6114S	1
45	Needle Roller Bearing, 4th Gear			A111F6104S	1
46	Distance Collar, 4th/5th gear			A111F6115S	As req.
47	Needle Roller Bearing, 5th Gear			A111f6104S	1
48	5th Gear			A111F6187S	1
49	Synchroniser Assembly, 5th Gear	Includes items: 50/51/52/53/55		A111F6118S	1
50	Synchro Ring, 5th Gear	Part of item: 49		A111F6119S	1
51	Synchro Spring, 5th Gear	Part of item: 49		A111F6120S	1
52	Synchro Sleeve, 5th Gear	Part of item: 49 & 54		A111F6123S	1
53	Synchro Hub/Sleeve assembly, 5th Gear	Assy. of items: 52 & 54		A111F6121S	1

Function Code 47.07 Gears, Shafts & Bearings

<u>Dep</u>	<u>Part Description</u>	<u>Remarks</u>	<u>Option</u>	<u>Part Number</u>	<u>Qty</u>
54	Synchro Hub, 5th Gear	Part of item: 49 & 53		A111F6122S	1
55	Ball Bearing, input shaft			A111F6124S	1
56	Selective Snap Rings, input shaft, 0.50 mm			A111F6125S	As req.
56a	Selective Snap Rings, input shaft, 0.55 mm			A111F6126S	As req.
56b	Selective Snap Rings, input shaft, 0.60 mm			A111F6127S	As req.
56c	Selective Snap Rings, input shaft, 0.65 mm			A111F6128S	As req.
56d	Selective Snap Rings, input shaft, 0.70 mm			A111F6129S	As req.
56e	Selective Snap Rings, input shaft, 0.75 mm			A111F6130S	As req.
56f	Selective Snap Rings, input shaft, 0.80 mm			A111F6131S	As req.
56g	Selective Snap Rings, input shaft, 0.85 mm			A111F6132S	As req.
56h	Selective Snap Rings, input shaft, 0.90 mm			A111F6133S	As req.
56i	Selective Snap Rings, input shaft, 0.95 mm			A111F6134S	As req.
56j	Selective Snap Rings, input shaft, 1.00 mm			A111F6135S	As req.
56k	Selective Snap Rings, input shaft, 1.05 mm			A111F6136S	As req.
56L	Selective Snap Rings, input shaft, 1.10 mm			A111F6137S	As req.
56m	Selective Snap Rings, input shaft, 1.15 mm			A111F6138S	As req.



EXIGE
47.11

Service Parts List **EXIGE**



Function Code 47.11 Final Drive & Bearings

<u>Dep</u>	<u>Part Description</u>	<u>Remarks</u>	<u>Option</u>	<u>Part Number</u>	<u>Qty</u>
01	Differential Assembly	Without ring gear		A111F6040S	1
02	Ball Bearing, differential			A111F6043S	2
03	Roll Pin, differential pinion shaft			A111F6044S	1
04	Final Drive Gear, 63 teeth, 4.2 ratio			A111F6196S	1
05	Bolt, final drive gear to differential casing			A111F6046S	10
06	Selective Circlip, 2.5 mm			A111F6047S	1
06a	Selective Circlip, 2.6 mm			A111F6048S	1
06b	Selective Circlip, 2.7 mm			A111F6049S	1
06c	Selective Circlip, 2.8 mm			A111F6050S	1
06d	Selective Circlip, 2.9 mm			A111F6051S	1
06e	Selective Circlip, 3.0 mm			A111F6052S	1
07	Pinion Shaft			A111F6053S	1
08	Sun/Planet Gear, matched set			A111F6055S	1
09	Thrust Washer, planet gear, 0.70 mm			A111F6056S	1
09a	Thrust Washer, planet gear, 0.75 mm			A111F6057S	1
09b	Thrust Washer, planet gear, 0.80 mm			A111F6058S	1
09c	Thrust Washer, planet gear, 0.85 mm			A111F6059S	1
09d	Thrust Washer, planet gear, 0.90 mm			A111F6060S	1

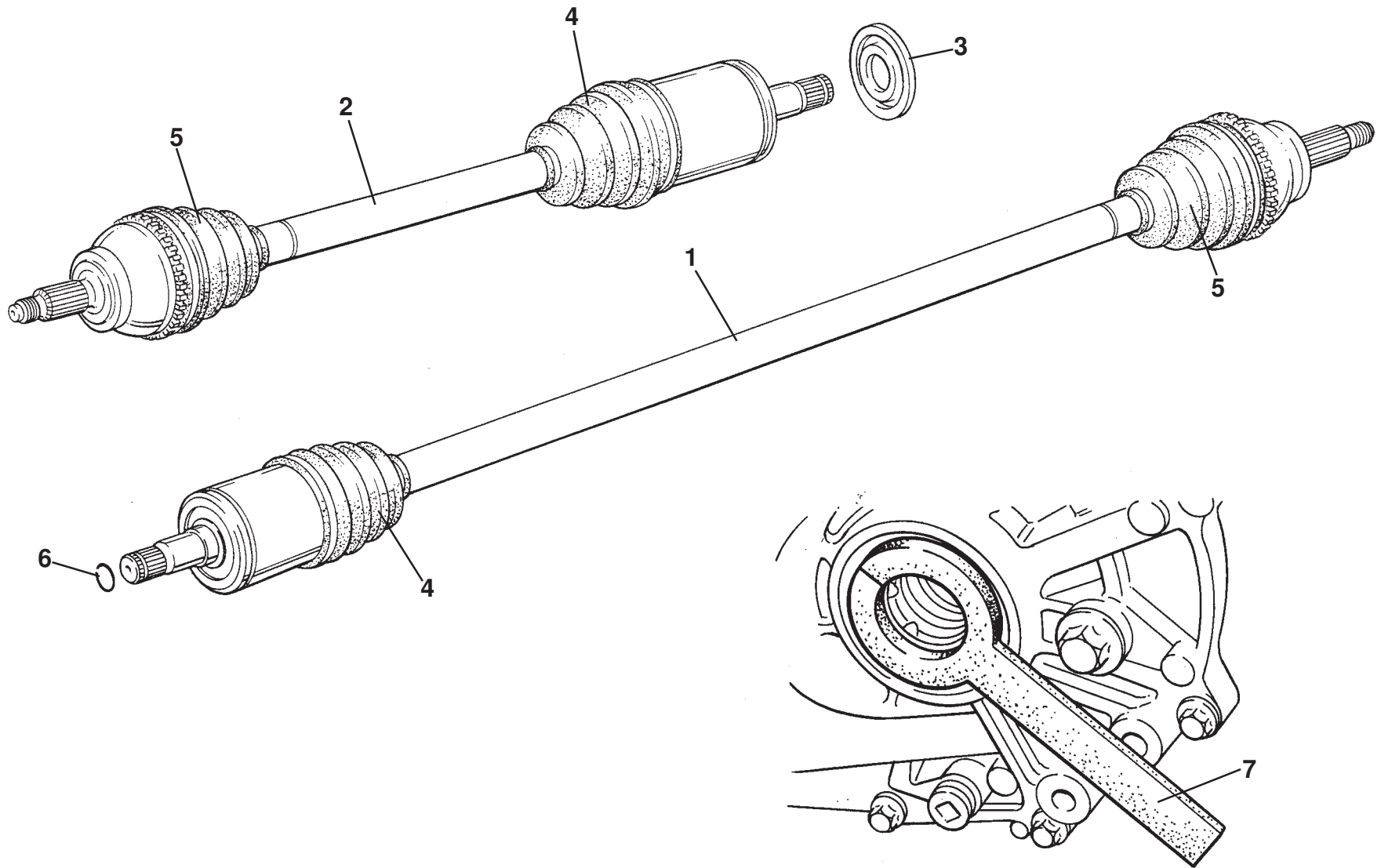
EXIGE

Function Code: 47.11, Page: 1

Updated 2nd February 2015

Function Code 47.11 Final Drive & Bearings

<u>Dep</u>	<u>Part Description</u>	<u>Remarks</u>	<u>Option</u>	<u>Part Number</u>	<u>Qty</u>
09e	Thrust Washer, planet gear, 0.95 mm			A111F6061S	1
09f	Thrust Washer, planet gear, 1.00 mm			A111F6062S	1
09g	Thrust Washer, planet gear, 1.05 mm			A111F6063S	1
10	Thrust Washer, sun gear			A111F6064S	2



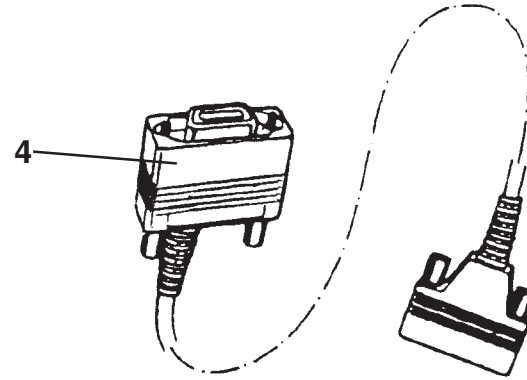
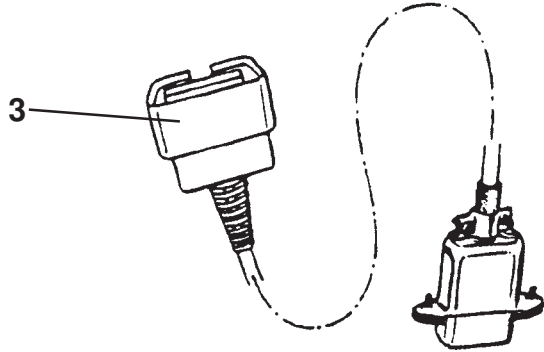
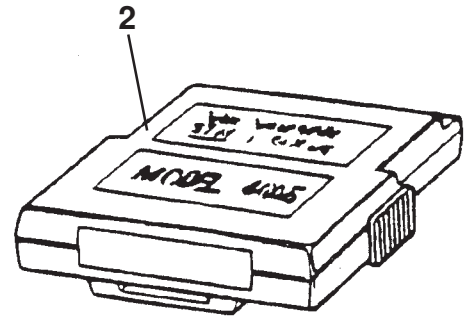
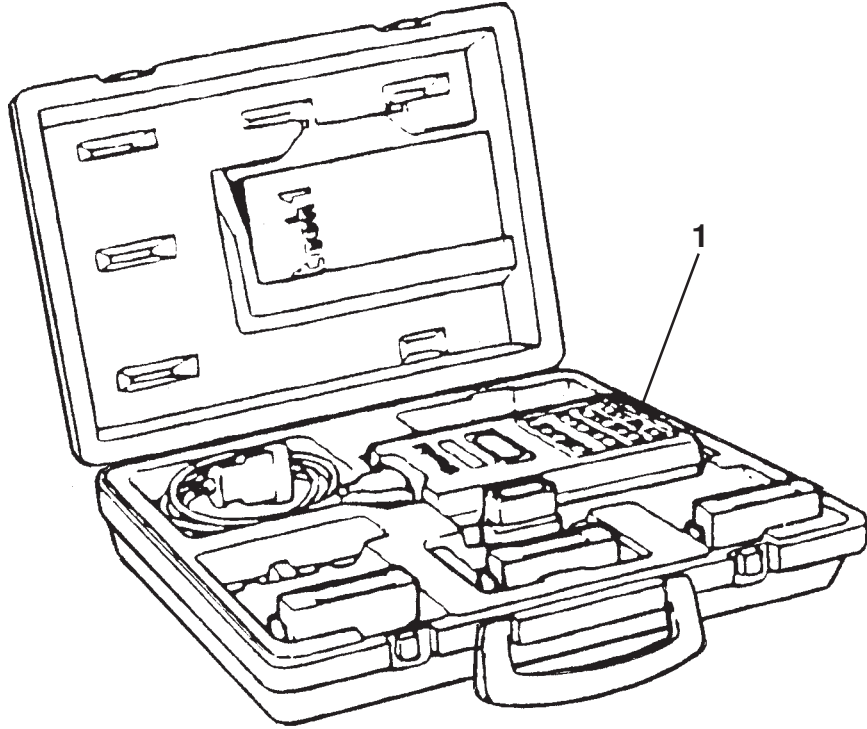
EXIGE
47.15

Service Parts List **EXIGE**



Function Code 47.15 Driveshafts & Seals

<u>Dep</u>	<u>Part Description</u>	<u>Remarks</u>	<u>Option</u>	<u>Part Number</u>	<u>Qty</u>
01	Drive Shaft, LH			A111D6007F	1
02	Drive Shaft, RH			A111D6013F	1
03	Oil Seal, drive shaft, LH			A111F6029S	1
03a	Oil Seal, drive shaft, RH			A111F6030S	1
04	Gaiter Kit, inboard CV joint	Including clips and grease		A111D6011S	2
05	Gaiter Kit, outboard CV joint	Including clips and grease		A111D6012S	2
06	Circlip. driveshaft retention in transmission			A100R6001F	2
07	Special Tool, seal protector	Used to insert driveshaft*		T000T1390F	1
		*See Service Notes, Section F			



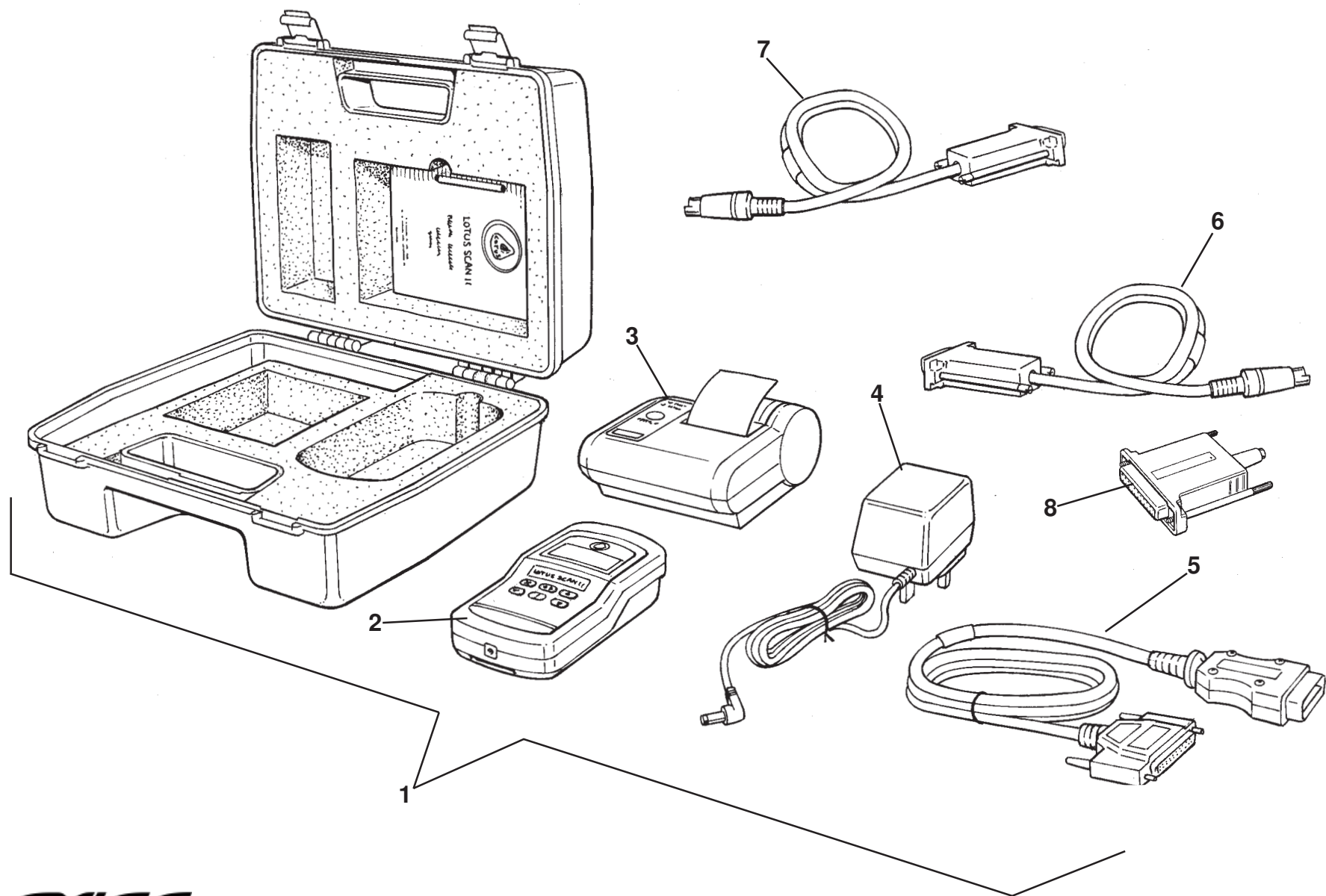
EXIGE
60.01a

Service Parts List *EXIGE*



Function Code 60.01a Diagnostic Equipment

<u>Dep</u>	<u>Part Description</u>	<u>Remarks</u>	<u>Option</u>	<u>Part Number</u>	<u>Qty</u>
01	'Tech 1' Diagnostic scanner kit	Including cartridge		T000T0896/2	1
02	Calibration Cartridge, 'Tech 1' scanner	Lotus Esprit 1996 ECU	Engine Management	T000T1307F	1
03	Adaptor Cable, connector lead to DLC	Connects Tech 1 connector lead to DLC	Part of 'Tech 1' Kit	T000T1306F	1
04	Connector lead, 'Tech 1' scanner	Connects Tech 1 connector lead to adaptor cable T000T1306F	Part of 'Tech 1' Kit	T000T1312F	1
05	Lead, download from Scan 2, red	See Service Bulletin 2002/2R	Lotus Scan 2	T000T1435F	1
		Note: Lotus Scan 2 will replace 'Tech 1' when obsolete, see section 6001b			



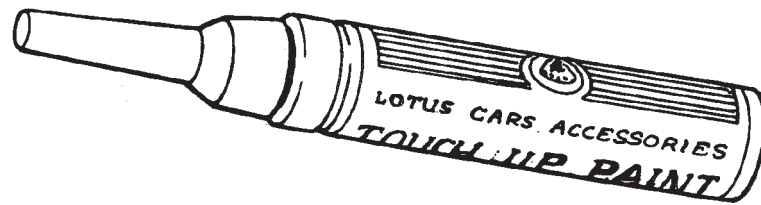
EXIGE
60.01b

Service Parts List *EXIGE*



Function Code 60.01b Diagnostic Equipment, Scan III

<u>Dep</u>	<u>Part Description</u>	<u>Remarks</u>	<u>Option</u>	<u>Part Number</u>	<u>Qty</u>
01	Lotus Scan III Kit			T000T1467F	1
02	Lotus Scan III, scanner tool			T000T1426F	1
03	Printer			T000T1419F	1
04	Transformer, printer or scanner power supply			T000T1427F	1
05	Lead, scanner to ALDL connector, red			T000T1435F	1
06	Lead, scanner to printer			T000T1429F	1
07	Lead, scanner to PC			T000T1430F	1
08	Adaptor, transformer to scanner			T000T1436F	1



EXIGE

80.20a

Service Parts List *EXIGE*



Function Code 80.20a Touch-in Paint Pencil Range

<u>Dep</u>	<u>Part Description</u>	<u>Remarks</u>	<u>Option</u>	<u>Part Number</u>	<u>Qty</u>
20	B20, Azure Blue Metallic			A082B6303F	1
21	B21, Lotus Racing Green Metallic			A082B6304F	1
23	B23, Ruby Red Metallic			A082B6306F	1
25	B25, Chrome Orange			A082B6338F	1
35	B35, New Aluminium			A082B6350F	1
62	B62, Titanium Metallic			A082B6348F	1
63	B63, Lotus Racing Yellow			A082B6349F	1
78	B78, Atlantis Blue Pearl			A111B6203F	1
83	B83, Lightning Yellow Pearlescent			A082B6384F	1
84	B84, Lava Orange Pearlescent			A082B6385F	1
85	B85, Laser Blue Metallic			A082B6386F	1
86	B86, Racing Green Metallic			A082B6388F	1
87	B87, Ice Blue Metallic			A082B6389F	1
88	B88, Gunmetal Metallic			A082B6390F	1
90	B90, Cobalt Blue Metallic			A082B6392F	1
91	B91, Aqua Metallic			A082B6393F	1
92	B92, Silver Metallic			A082B6396F	1

Note: for other colours see Elise
Parts Lists