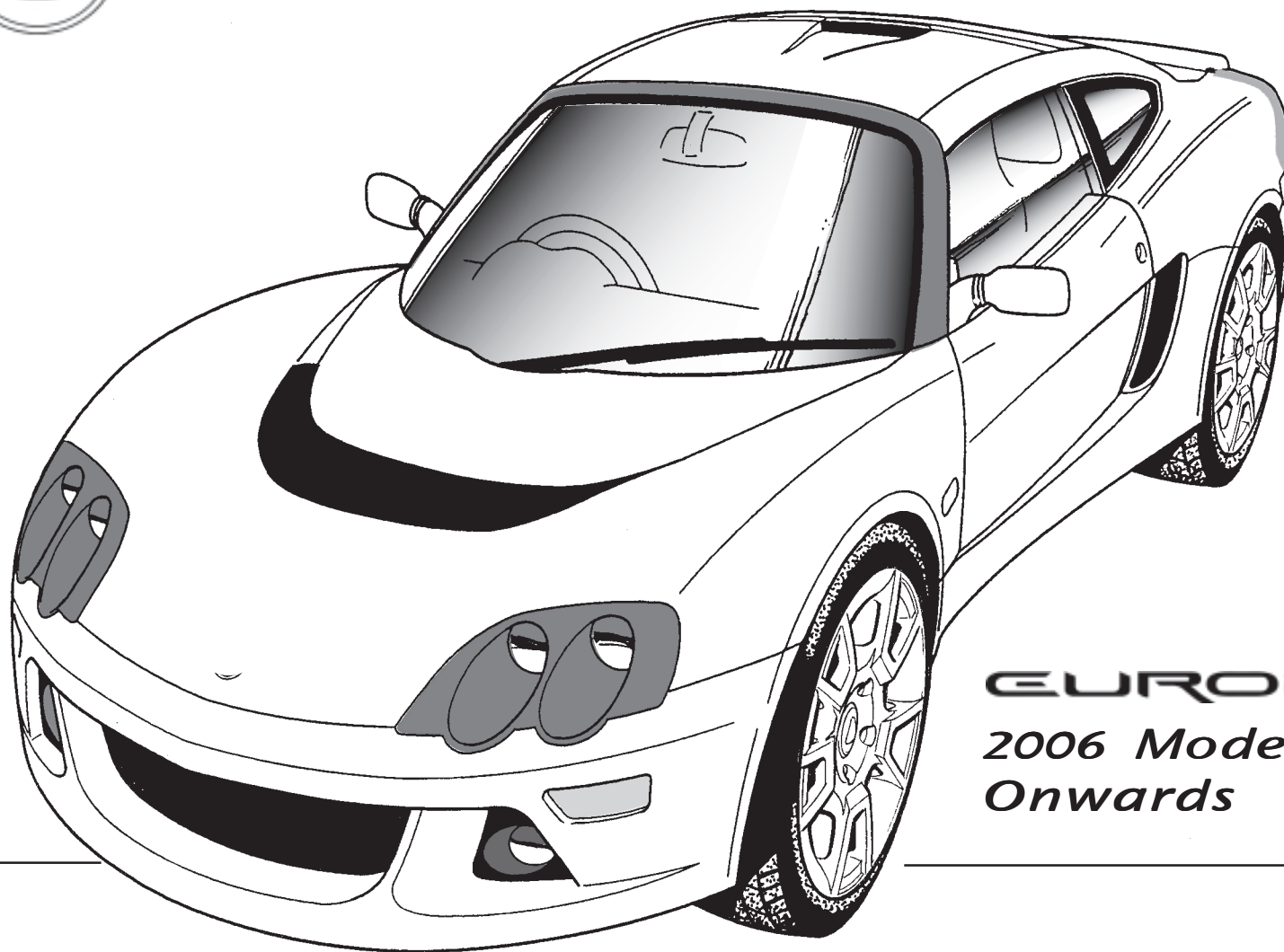




# ***EUROPA SERVICE PARTS LIST***



**EUROPA**  
***2006 Model Year***  
***Onwards***

Technical Publications, Lotus Cars Ltd, Hethel, Norwich, Norfolk, NR14 8EZ. England.

Tel: +44 (0)1953 608000 [www.lotuscars.com](http://www.lotuscars.com)

© Lotus Cars Ltd. 2006

Part Number A124T0325J

***Updated 1st October 2018***

# EUROPA

## **10.00 Body**

---

- 10.01 Body: Front & Rear Clamshells & Fixings
- 10.02a Body: Sill Panels, Windscreen Frame & Rear Bulkhead
- 10.04 Crash Structures
- 10.09 Front Services Access Panels
- 10.11a Tailgate & Release Mechanism
- 10.13a Engine Compartment Cover, Elise 2011 MY, 1ZR, 2ZR
- 10.15 Door Shells, Beams, Hinges
- 10.17 Door Latch Mechanism
- 10.23 Bumpers, Valences Spoilers & Aerofoils
- 10.25 Undertray & Diffuser
- 10.31 Towing Strut/ Hook

## **11.00 Glazing and Seals**

---

- 11.01 Windscreen, Door Glass, Seals & Weather Strips
- 11.02 Door Window Lift Mechanism

## **12.00 Exterior Fittings**

---

- 12.01 Wheelarch Liners
- 12.03 Grilles and Louvres
- 12.04a Roof Panel, Seals & Fixings
- 12.05 Decals, Badges & Protective Film
- 12.07 Licence Plate Mountings
- 12.09 Exterior Driving Mirrors

## **13.00 Seats & Seat Belts**

---

- 13.01 Seat Runners
- 13.02 Seat Assemblies, front
- 13.27 Seat Belts, front

## **14.00 Pedal Box & Fascia**

---

- 14.01 Pedal Box, Pedals, Throttle Control
- 14.05 Fascia Structure & Supporting Hardware
- 14.10 Instrument Cowling

## **15.00 Interior Trim**

---

- 15.05 Interior Driving Mirror & Sunvisors
- 15.11 Interior Trim & Stowage Provision
- 15.13 Front Door Trims
- 15.18 Interior Trim, Chassis Trim Panels
- 15.19 Centre Tunnel Trim, Gear Lever Gaiters/Shrouds
- 15.24 Luggage Compartment Carpet
- 15.30 Carpeting & Mats

## **16.00 Sound Insulation**

---

- 16.01 Passenger Compartment Sound Insulation

## **17.00 Electrical**

---

- 17.01 Harnesses, Leads
- 17.03 Horn, Inertia Switch, Modules, Fuses & Relays
- 17.05 Interior Switches, Auxiliary Power Socket
- 17.06 Engine Management & Sensors
- 17.07 Instruments, Tell Tales, & Displays
- 17.11 Exterior Lamps, Except Headlamps
- 17.13 Headlamps
- 17.17 Interior Lamps
- 17.21 Windscreen Wiper Motor, Wipers & Washers
- 17.27 In Car Entertainment
- 17.31 Battery, Clamps, & Cables
- 17.33 Security Alarm System, Parking Sensors & Camera
- 17.35 Other Electrical, SIR: Inflator Modules, DERM & Sensors

# EUROPA

## **18.00 Heating, Ventilation, Air Conditioning**

---

- 18.01 Heater/ Air Conditioning Assemblies, Housings
  - 18.03 AC Components, Pipes, Hoses
  - 18.05 Heater, Pipes, Hoses
  - 18.07a AC Interior Blower Motor
  - 18.09a AC/Heater Driver Operated Controls
  - 18.12 AC/Heater Air Distribution Plenum
  - 18.13 Air Trunking, Ducts & Ventilators
  - 18.14 AC Air Recirculation System
- 

## **19.00 Labels & Literature**

---

- 19.01 Labels, Certificates, Literature etc.
  - 19.03 Owner's Handbooks & Service Notes Manuals
- 

## **30.00 Chassis**

---

- 30.01 Chassis, Subframes
  - 30.02 Seat Belt Mounting Frames, Stays
- 

## **31.00 Suspension**

---

- 31.01 Front Suspension, Incl. Hubs
  - 31.03 Rear Suspension, Incl. Hubs
- 

## **32.00 Steering**

---

- 32.01 Rack & Pinion, & Lower Column
  - 32.05 Upper Column, Steering Wheel
- 

## **33.00 Brakes**

---

- 33.01 Brake Discs, Calipers, & Parking Brake Assembly
  - 33.01a Brake Discs & Calipers, AP Racing options
  - 33.03 Master Cylinder, Servo, ABS Controller, Pipes & Hoses
  - 33.05 Parking Brake Mechanism
- 

## **34.00 Wheels & Tyres**

---

- 34.01 Wheels, Tyres & Valves
- 

## **40.00 Engine**

---

- 40.00 Engine Assemblies
  - 40.01 Engine Block & Oil Pick Up
  - 40.01a Engine Mounts
  - 40.02 Gaskets & Sealants, Top Overhaul Set
  - 40.02a Gaskets & Sealants, Bottom Overhaul Set
  - 40.03 Sump Assembly
  - 40.05 Cylinder Head, Valves, Springs
  - 40.07 Camshafts, Tappets, Cam Cover
  - 40.09 Pistons, Con-rods, Liners
  - 40.10 Balance Shaft & Bearings
  - 40.11 Crankshaft, Bearings, Flywheel
  - 40.13 Water Pump Assembly, Thermostat
  - 40.15 Lubrication System
  - 40.17 Ignition System, Spark plugs & Plug Top Coils
  - 40.19 Alternator and Starter Motor
  - 40.21c Exhaust Manifold & Turbocharger
  - 40.23 AC Compressor
- 

## **41.00 Belts and Pulleys**

---

- 41.01 Camshaft Belts, Guards & Pulleys
  - 41.03 Auxiliary Drive Belts & Pulleys
- 

## **42.00 Induction Systems**

---

- 42.01 Airboxes, Trunking & Air Filters
  - 42.04 Throttle Body, Mechanism & IAC Valve
  - 42.05 Fuel Injection System
  - 42.07 Inlet Manifold, Plenum & gaskets
-

# EUROPA

## **44.00 Fuel System**

---

- 44.01 Fuel Tanks, Filler
  - 44.03 Fuel Pump; Filter, Pipes
  - 44.05 Charcoal Canister & Evaporative Loss System.
- 

## **45.00 Exhaust**

---

- 45.01 Exhaust System
  - 45.05 Heatshields
- 

## **46.00 Cooling**

---

- 46.01 Engine Cooling System & Fan
  - 46.03 Oil Cooler/Heat Exchanger & Pipes
  - 46.05 Engine Bay Cooling, Ducts & Trunking
  - 46.10a Intercooler & Ducting
- 

## **47.00 Transmission**

---

- 47.01 Clutch & Release Mechanism
  - 47.03 Transmission Assembly
  - 47.05 Gearchange Mechanism, External
  - 47.15 Driveshafts & Seals
- 

## **60.00 Special tools**

---

- 60.01 Tool Kit
  - 60.01a Diagnostic Equipment
  - 60.02 Special Tools
- 

## **80.00 Bulk Items**

---

- 80.20a Touch-in Paint Pencil Range
-

## FOREWORD

This publication has been designed for use by Lotus Dealers, and may be updated periodically by the issuing of update packages to the dealer network. Lotus policy is one of continuous product improvement and the right is reserved to alter specifications at any time without prior notice.

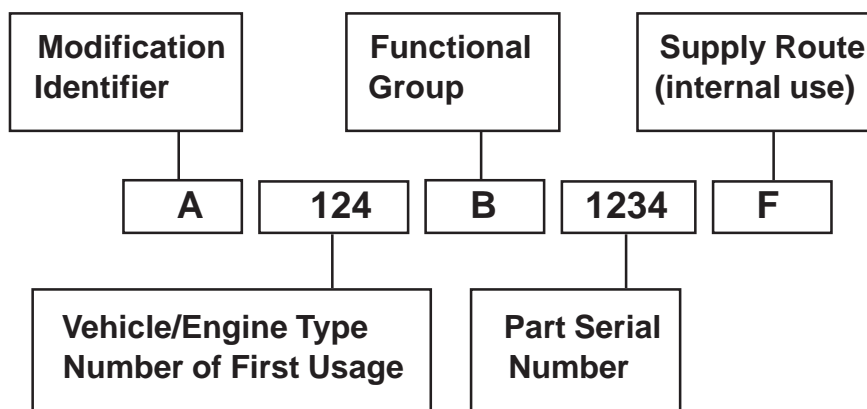
Whilst every care has been taken to ensure correctness of information, it is impossible to guarantee complete freedom from omissions and errors, or to accept liability arising from such errors or omissions, but nothing herein contained shall affect your statutory rights.

## USE OF THE PARTS LIST

This parts list covers the Europa S range, 2006 model year onwards. The manual is arranged in function groups, as defined by the Contents page, and may sometimes use several versions of the same function group to accommodate model variations - take care to establish the full vehicle specification in order to properly identify the applicable parts list section.

## PART NUMBERS

Part numbers used in this publication are in the format as follows:



**Modification Identifier:** This letter identifies a version or modification of the part. Part numbers with different prefix letters may or may not be interchangeable - refer to the remarks and option columns.

**Vehicle/Engine Type Number:** The type number indicates either the model or engine type on which the part was first used.

026, 036, 045, 500....Elan	079....Esprit S1/S2/S2.2	089....Excel	120....Elise111R	127....2-Eleven	907....4 cyl. 2.0 NA
050....Elan+2	082....Esprit Turbo	100....Elan 1990	121....Elise USA	128....Exige S (s/c)	910....4 cyl. 2.2 turbo
046, 054, 065, 074....Europa	083....Elite S2	111....Elise	122....Exige 2	131....Elise S (1ZZ)	912....4 cyl. 2.2 NA
075....Elite S1	084....Eclat S2	340....340R	123....Exige USA	132....Evora	918....V8 3.5 turbo
076....Eclat S1	085....Esprit S3	117....Elise 2001 MY	124....Europa 2006	138....Exige V6	920....4 cyl. 2.0 turbo

**Functional Group:** A single letter indicating the functional area of the parts first use

A = Chassis	E = Engine	J = Brakes	P = Heater & AC	U = Hard Trim
B = Body	F = Transmission	K = Cooling	Q = Clutch	V = Soft Trim
C = Front Suspension	G = Wheels & Tyres	L = Fuel System	R = Final Drive	W = Standard Fixings
D = Rear Suspension	H = Steering	M = Electrics	S = Exhaust	

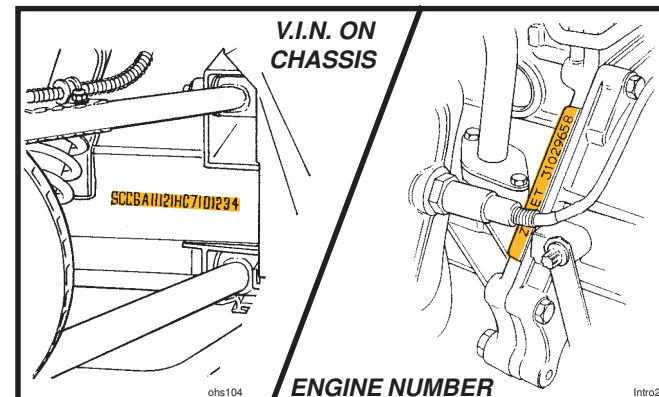
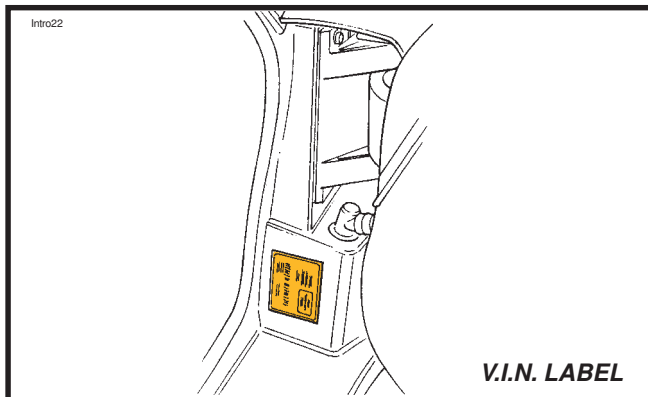
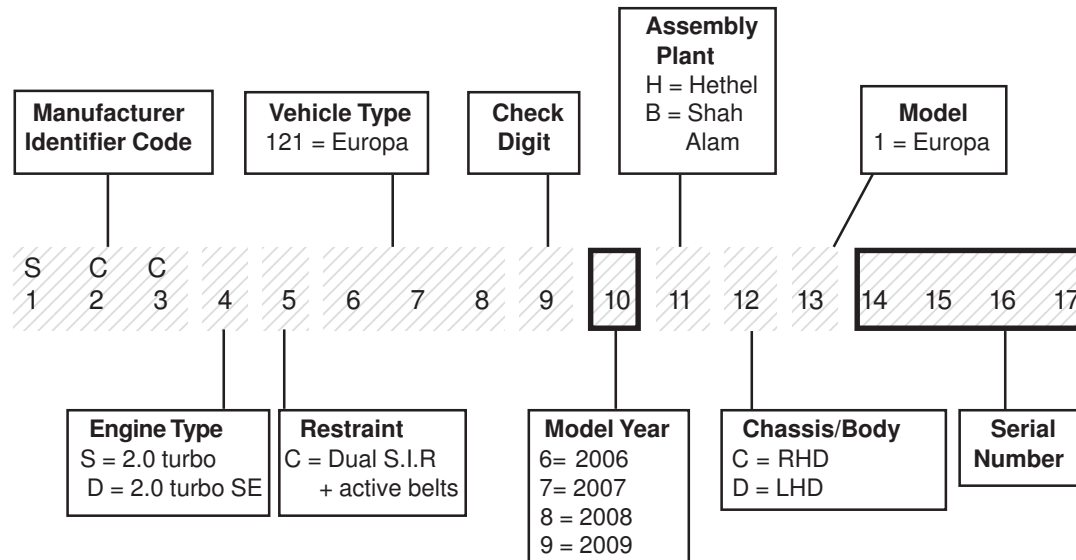
*Updated 1st October 2018*

## VEHICLE IDENTIFICATION NUMBER & ENGINE NUMBER

The Vehicle Identification Number (V.I.N.) is stamped on the chassis in the right hand front wheelarch area, viewable with the front wheels turned to full right lock, and is also printed on a label stuck to the driver's side door aperture, viewable with the door open. The engine number is stamped on the LH rear flange of the cylinder block, alongside the clutch housing jointface.

Both numbers should always be quoted with any vehicle enquiries, as Factory records are filed against V.I.N., and specification change points are identified by V.I.N. or engine number. The vehicle licence number should be considered irrelevant, since it may not accurately reflect the vehicle age, and may also be changed during the car's life.

The V.I.N. comprises 17 characters, coded in accordance with European Economic Community (EEC) directives. For change point identification in Service Notes and Service Parts Lists, characters 10 (model year) and 15 - 17, or 14 - 17 (serial number) will be quoted.





Mar 2006 Europa S



Mar 2007 Luxury Touring Pack



Sept 2008 Europa SE

## MODEL HISTORY MILESTONES

### **Europa introduction: March 2006**

VIN character 10=6; Serial number from 2503.

Note: Europa serial number sequence is shared with the Elise based models.

Type 121 Europa identified by VIN character 6,7,8=121. Known as "Europa S".

### **Luxury touring pack: March 2007**

Luxury Touring Pack introduced as a production optional extra which included:

Interior trims: Steering column shroud, dash top, instrument and ventilation binnacles and sill covers are covered in saddle tan leather, chocolate coloured leather and brown carpets, sports seats, passenger airbag cover finished in soft to the touch material, solid walnut and tulip gearknob. Boot area covered in brown carpet, saddle tan coloured leather trimmed inner tailgate, leather luggage straps and saddle tan leather oddment bag.

Exterior: Tinted tailgate and rear 3/4 glass, body coloured front driving lamp surrounds, side air-intake sur-rounds and roof air-outlet grill. Exterior grilles coloured silver.

### **2007 model year: July 2006**

VIN character 10=7; Serial number from 0001 (shared with Elise based models).

### **2008 model year: October 2007**

VIN character 10=8; Serial number from 0043 (shared with Elise based models).

### **Europa SE introduction: September 2008**

Serial number from 2164.

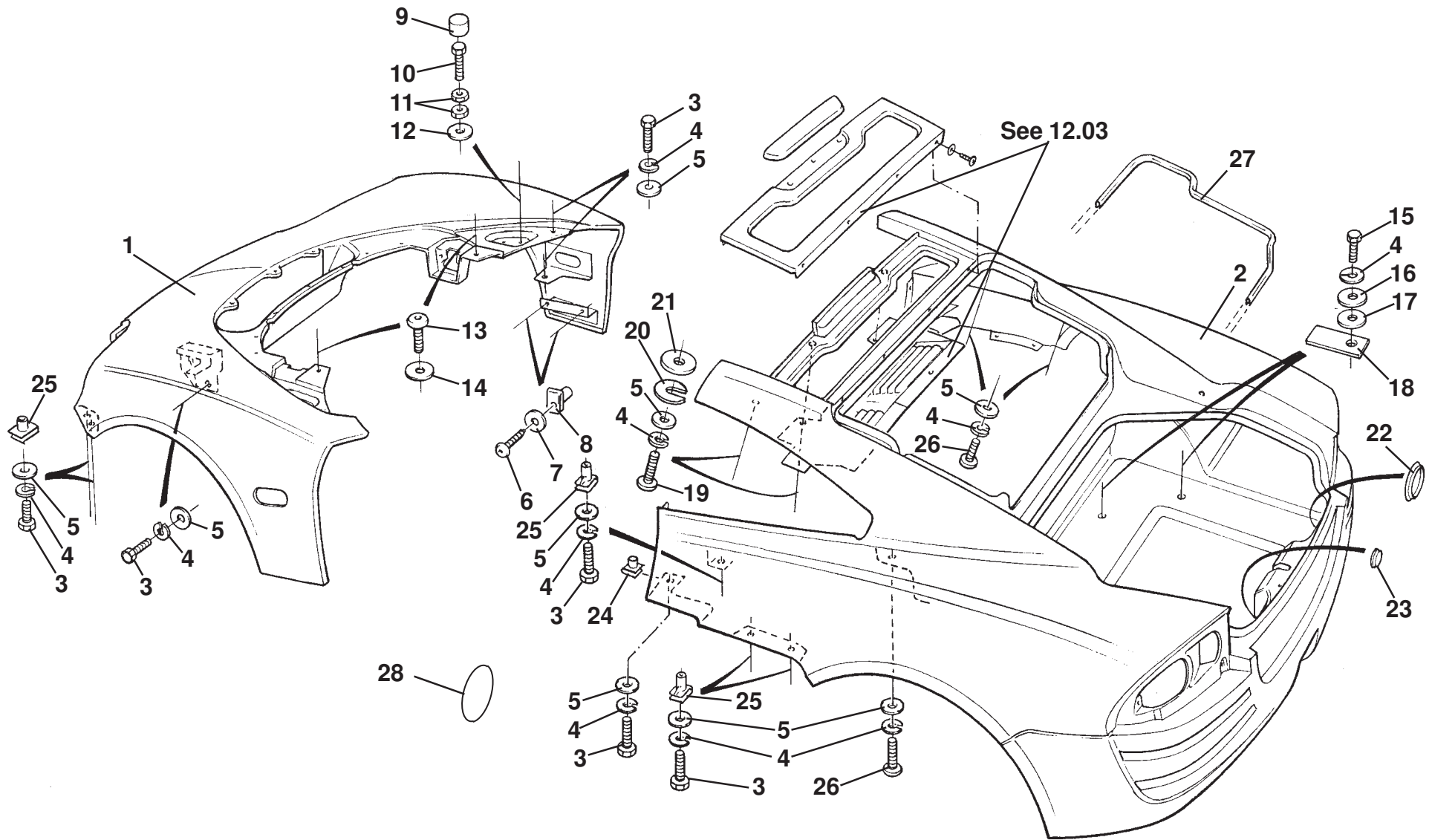
Identified by VIN character 4=D. Differences to standard Europa S include; revised turbocharger, re-calibrated engine controller and colder grade spark plugs, result in a power increase to 225 PS and 300 Nm of torque. New 15-spoke road wheels with increased width both front and rear and larger diameter rear. Road spring ratings increased along with new damper mounting brackets and anti-roll bar changes. Larger single piece (308mm) front brake discs, 4-piston AP Racing callipers, Ferodo pads and re-calibration of the ABS system. Includes Luxury Touring pack.

### **2009 model year: October 2008**

VIN character 10=9; Serial number from 0092 (shared with Elise based models).

Production ceased in August 2010 with approximately 467 vehicles produced, last VIN number recorded: 1085

*Updated 5th March 2018*



**EUROPA**  
10.01

*Updated 24th January 2013*



# Service Parts List

# EUROPA



## Function Code 10.01 Body: Front & Rear Clamshells & Fixings

<u>Dep</u>	<u>Part Description</u>	<u>Remarks</u>	<u>Option</u>	<u>Part Number</u>	<u>Qty</u>
01	Front Clamshell		Primed	B124B0004F	1
02	Rear Clamshell		Primed	D124B0021F	1
03	Screw, M6 x 20, hex. hd., clamshell fixing			A075W1030Z	20
04	Washer, spring, M6, clamshell fixing			A075W4035Z	28
05	Washer, flat, M6 x 25 x 1.4, clamshell fixing			B075W4017Z	24
06	Screw, delta point, 50 x 25, clamshell fixing			A124W5289F	4
07	Washer, flat, M5 x 19, clamshell fixing			B075W4017Z	4
08	Easy Boss, 50 x 3.5 x 12.0, clamshell fixing			A124W3193F	4
09	Rubber Buffer, clamshell to access lid			X046B6113Z	2
10	Setscrew, M6 x 30, hex. hd.,			A075W1032Z	2
11	Locknut, M6			A082W3085F	4
12	Washer, flat, M6 x 18 x 1.0			B082W4018F	2
13	Screw, M8 x 25, button hd. S/S			A111W7175F	4
14	Washer, flat, M8 x 21 x 1.6 S/S			A111W4176F	4
15	Screw, M6 x 35, hex. hd., bootbox to subframe			A075W1033Z	4
16	Washer, flat, M6 x 25 x 1.4, S/S, black, bootbox to subframe			A082W4131F	4
17	Washer, neoprene, 25 x 3mm, bootbox to subframe			A111U6055F	4
18	Spacer, clamshell to subframe, 100 x 40 x 1mm			A116B0423K	As req.

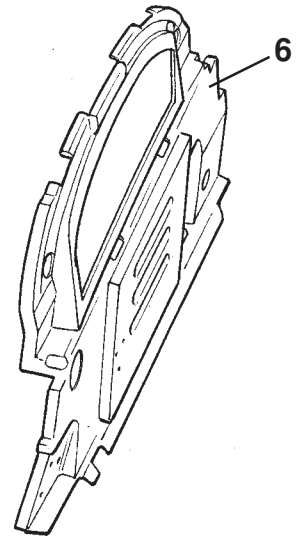
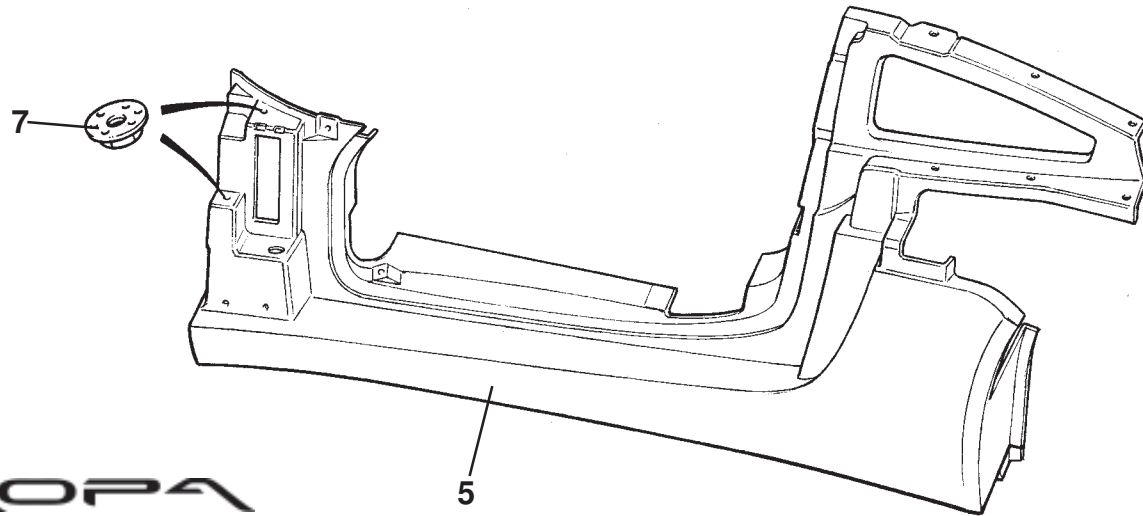
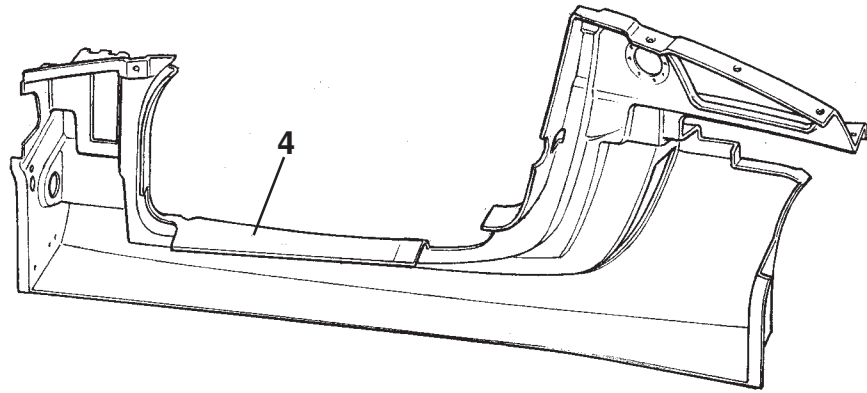
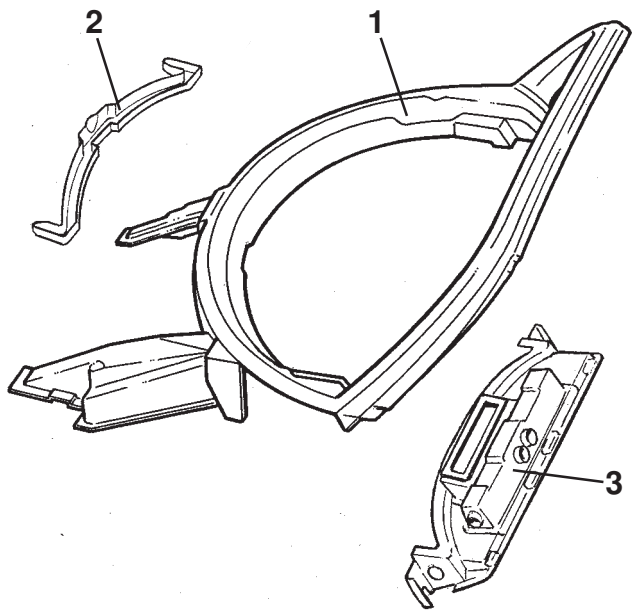
EUROPA

Function Code: 10.01, Page: 1

Updated 24th January 2013

**Function Code 10.01 Body: Front & Rear Clamshells & Fixings**

<u>Dep</u>	<u>Part Description</u>	<u>Remarks</u>	<u>Option</u>	<u>Part Number</u>	<u>Qty</u>
18a	Spacer, clamshell to subframe, 100 x 40 x 2mm			A116B0424K	As req.
18b	Spacer, clamshell to subframe, 600 x 50 x 1mm	Not illus., across centre of subframe		A116B0421K	As req.
18c	Spacer, clamshell to subframe, 600 x 50 x 2mm	Not illus., across centre of subframe		A116B0422K	As req.
19	Screw, M6 x 25, button hd., rear clamshell fixing			A116W7206F	4
20	Shim, 9 x 28 x 1 'C' type, clamshell to bodyside			B124B0257F	As req.
21	Shim, 9 x 28 x 2, clamshell to bodyside			A124B0256F	As req.
21a	Shim, 9 x 28 x 3, clamshell to bodyside			A124B0255F	As req.
22	Grommet, blanking, 50.8mm	Not used on trimmed transom		A111U6061F	1
23	Grommet, blanking, 19mm	Not used on trimmed transom		A116W6714F	1
24	Spire Nut, M6, rear clam. to bodyside			A117W6715F	2
25	Lugnut, M6, clamshell fixing			A117W3181F	8
26	Screw, M6 x 25, button hd., clamshell fixing			A116W7206F	8
27	Edging Strip, engine bay flange			A117B6010V	2.6M
28	Blanking Film, 'B' post, fixings access hole			A124B0282F	2



EUROPA

10.02a

# Service Parts List

# EUROPA



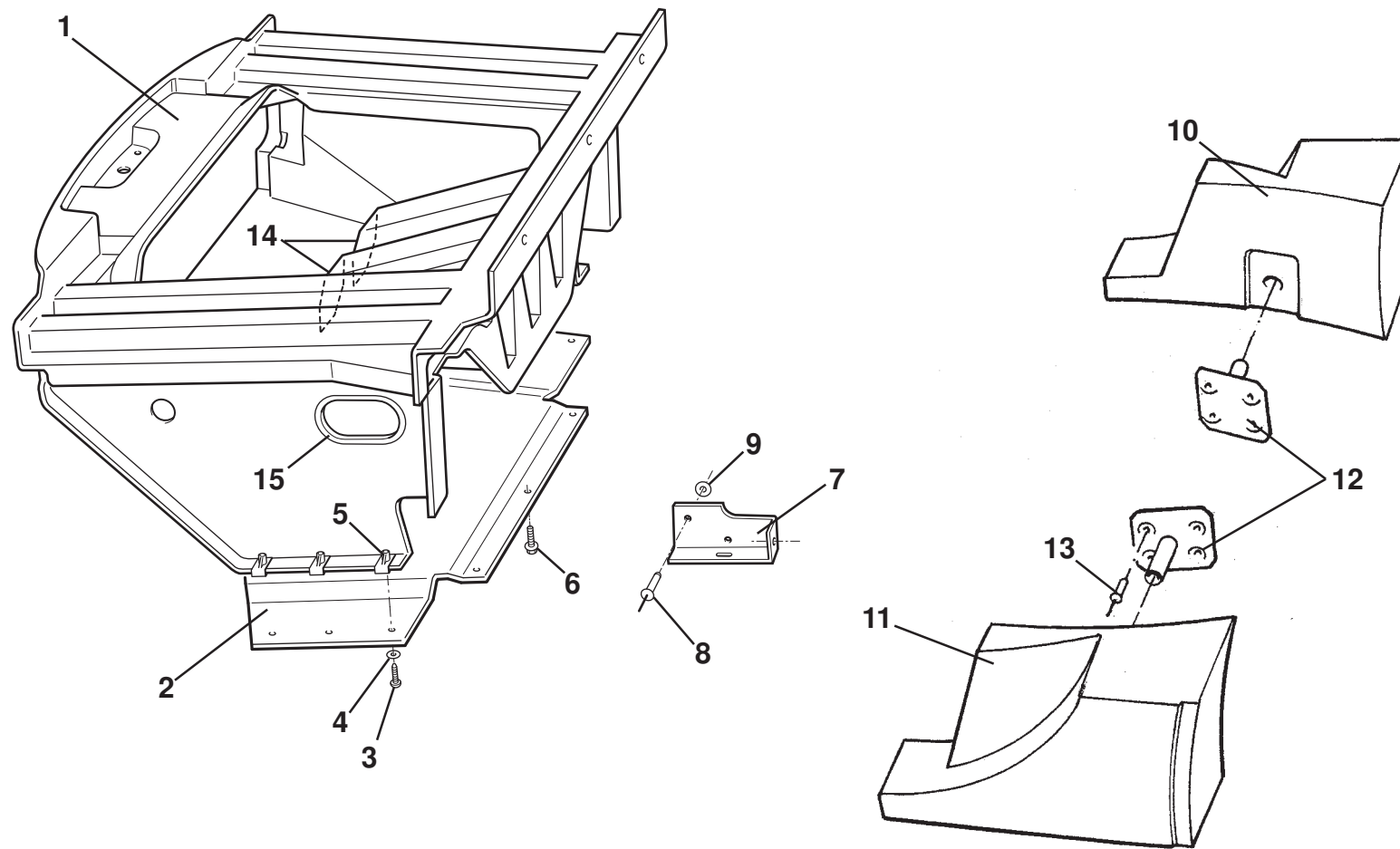
## Function Code 10.02a Body: Sill Panels, Windscreen Frame & Rear Bulkhead

<u>Dep</u>	<u>Part Description</u>	<u>Remarks</u>	<u>Option</u>	<u>Part Number</u>	<u>Qty</u>
01	Windscreen Frame Assembly			A116B0148K	1
02	Gutter, windscreen frame			B124B0191F	1
03	Baffle Panel/FLV Plenum Assembly			A120B0117F	1
04	Bodyside Panel, RH			B124B0036F	1
05	Bodyside Panel, LH			B124B0037F	1
06	Rear Bulkhead			B124B0031F	1
07	Captive Nut, M8, big hd.			A111W6592F	4
08	Blanking Film, 'B' post, fixings access hole	Not illustrated, see 10.01		A124B0282F	2

EUROPA

Function Code: 10.02a, Page: 1

*Updated 24th January 2013*



**EUROPA**

**10.04**

# Service Parts List

# EUROPA



## Function Code 10.04 Crash Structures

<u>Dep</u>	<u>Part Description</u>	<u>Remarks</u>	<u>Option</u>	<u>Part Number</u>	<u>Qty</u>
01	Front Crash Structure Assembly, includes nut plates		A120B0190J R/B	B120B0190J	1
02	Panel, front undershield			B117B0237F	1
03	Screw, delta point, 50 x 12, button hd., undershield fix		A075W5089Z R/B	A124W5289F	6
04	Washer, flat, M6 x 25 x 1.4, S/S black, undershield fix		A075W4015Z R/B	A082W4131F	6
05	Easyboss, 50 x 3.5 x 12, undershield fix		B100W6372F R/B	A124W3193F	6
06	Screw, M6 x 12, flg. hd. black, undershield rear fix.			A111E6007F	3
07	Alloy Plate. LH			A111B0531F	1
07a	Alloy Plate, RH			A111B0530F	1
08	Pop Rivet, plate fix.			A085W6259F	6
09	Washer, flat, 3/16" x 1/2", plate to crash structure			A075W4000Z	4
10	Side Impact Foam, LH			A124B0155F	1
11	Side Impact Foam, RH			B124B0156F	1
12	Bracket, foams to chassis			A117B0556F	2
13	Pop Rivet, brackets to chassis			A117W6734F	8
14	Grille, leaf screen	Bonded to crash structure		A117B0466F	2
15	Edging Strip, hose protection			A111U6034V	0.3m
16	Betaseal 1701, crash structure to chassis	Not illustrated		A082B6281F	300mm

EUROPA

Function Code: 10.04, Page: 1

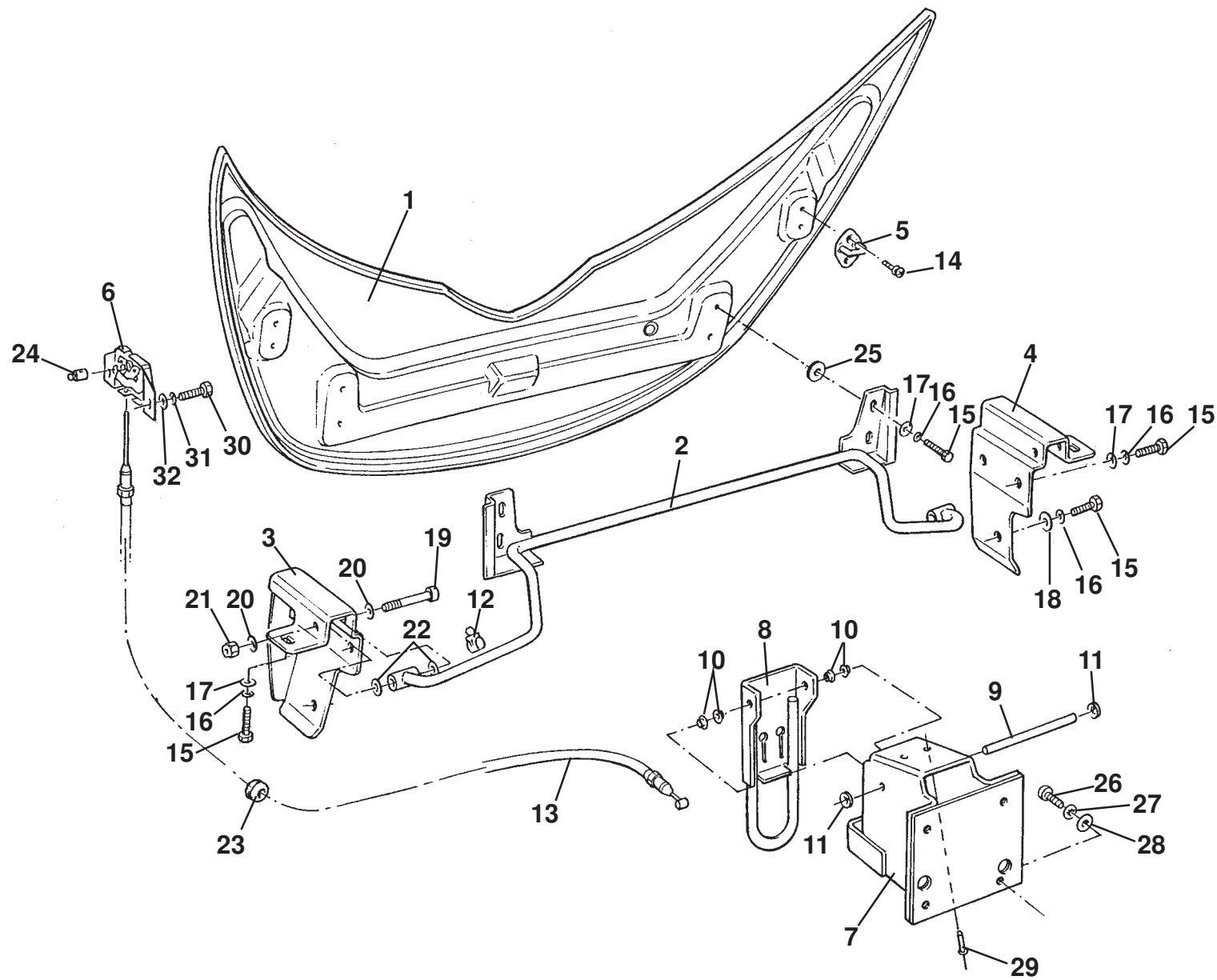
*Updated 17th August 2012*

---

**Function Code 10.04 Crash Structures**

<u>Dep</u>	<u>Part Description</u>	<u>Remarks</u>	<u>Option</u>	<u>Part Number</u>	<u>Qty</u>
		*A level crash structure no longer available for cars fitted nuts welded onto towing eye bracket see 2b 10.31 on Elise MY04 parts list			

---



**EUROPA**  
10.09



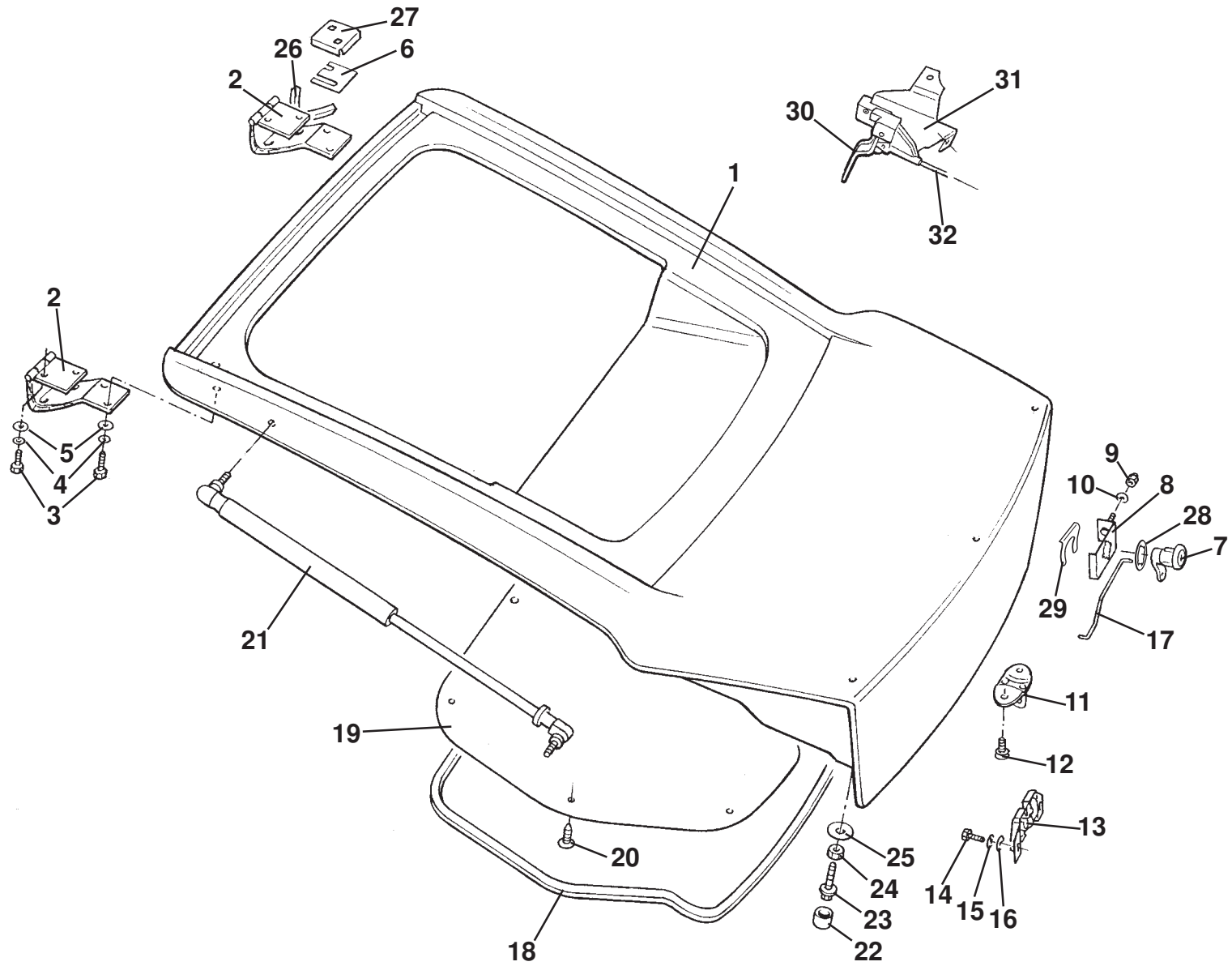
**Function Code 10.09 Front Access Hatch & Release Mechanism**

<u>Dep</u>	<u>Part Description</u>	<u>Remarks</u>	<u>Option</u>	<u>Part Number</u>	<u>Qty</u>
01	Front Access Cover		Primed	A124B0167F	1
02	Hinge Assembly, access cover			A124B0103F	1
03	Bracket, hinge to clamshell, LH			A124B0101F	1
04	Bracket, hinge to clamshell, RH			A124B0102F	1
05	Striker, front access cover			A124B0094F	2
06	Latch Assembly, access cover			A124B0089F	2
07	Bracket, access cover release			C124B0260F	1
08	Pivot Plate/Handle Assembly, release cables			C124B0261F	1
09	Spindle, pivot plate			B124B0264F	1
10	Bush, bracket and plate to spindle			A111U6018F	4
11	Starlock Fastener, spindle fixing			A124W6804F	2
12	Clip, hinge retaining			A124W6787F	2
13	Cable, access cover release	Includes clips		A124B0262F	2
14	Screw, M8 x 18, csk. pozi., with crinkle washer, strker fix.			A124B6000F	4
15	Screw, M6 x 20, hex.hd., hinge & bracket fixing			A075W1030Z	10
16	Washer, spring, M6, hinge & bracket fixing			A075W4035Z	10
17	Washer, flat, M6 x 18 x 1.0, hinge & bracket fixing			B082W4018F	8
18	Washer, flat, M6 x 25 x 1.4, bracket fixing			B075W4017Z	2
19	Bolt, M5 x 40, cap hd., hinge pivot			A100W7081F	2
20	Washer, flat, M5 x 12 x 1.0 S/S, hinge pivot			A082W4129F	4
21	Nyloc Nut, M5, hinge pivot			A075W3008Z	2

---

**Function Code 10.09 Front Access Hatch & Release Mechanism**

<u>Dep</u>	<u>Part Description</u>	<u>Remarks</u>	<u>Option</u>	<u>Part Number</u>	<u>Qty</u>
22	Washer, nylon, 5.2 x 12.0 x 1.0, hinge pivot			A089W4104F	4
23	Grommet, cables to chassis			A124W6790F	2
24	Solderless Nipple, cable to plate			A116W6762F	3
25	Shim, 9 x 28 x 2, black, hinge to panel			A124B0256F	as req.
25a	Shim, 9 x 28 x 3, black, hinge to panel			A124B0255F	As req.
26	Screw, M5 x 16, pan pozi., bracket to chassis			A082W5107F	4
27	Washer, shakeproof, M5, bracket to chassis			A075W4045Z	4
28	Washer, flat, M5 x 19 x 1.4, S/S, black, bracket to chassis			B082W4107Z	4
29	Pop Rivet, bracket to chassis			A089W6297F	2
30	Screw, M6 x 20, hex.hd., latch to clamshell			A075W1030Z	4
31	Washer, spring, M6, latch to clamshell			A075W4035Z	4
32	Washer, flat, M6 x 18 x 1.0, latch to clamshell			B082W4018F	4



**EUROPA**  
10.11a

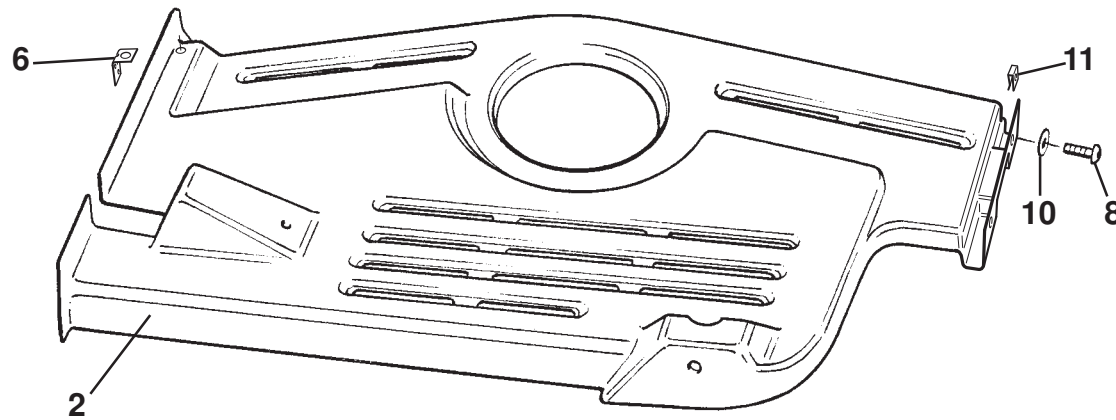
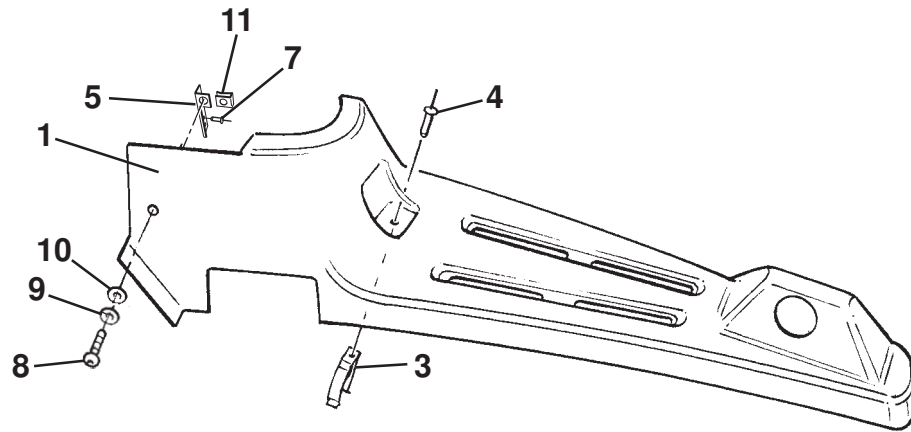
**Function Code 10.11a Tailgate & Release Mechanism**

<u>Dep</u>	<u>Part Description</u>	<u>Remarks</u>	<u>Option</u>	<u>Part Number</u>	<u>Qty</u>
01	Tailgate Assembly		Primed	A124B0298F	1
02	Hinge Assembly			A122B0084F	2
03	Screw, M6 x 25, hex. hd., hinge to clam. & tailgate			A075W1031Z	8
04	Washer, spring, M6, hinge to clam. & tailgate			A075W4035Z	4
05	Washer, flat, M6 x 20 x 2.5, hinge to clam.			A075W4035Z	4
06	Shim, hinge rotor to tailgate			A122B0199F	As req.
07	Lock Assembly, tailgate	Sold as part of lock set, see 10.17		C124H0001J	1
08	Bracket, lock mounting			B124B0278F	1
09	Nyloc Nut, M5, bracket to body			A075W3008Z	1
10	Washer, flat, M5 x 19 x 1.4, S/S black, bracket to body			B082W4107F	1
11	Striker, tailgate			A124B0094F	1
12	Screw, M8 x 18, csk. pozi., + crinkle washer, striker fix.			A124B6000F	2
13	Latch Assembly, tailgate			A124B0089F	1
14	Screw, M6 x 20, hex. hd., latch to bracket			A075W1030Z	2
15	Washer, spring, M6, latch to bracket			A075W4035Z	2
16	Washer, flat, M6, x 12.1 x 1.4, latch to bracket			A075W4013Z	2
17	Rod, lock to latch			A124B0091F	1
18	Seal Assembly, luggage compartment			A124U0009F	1
19	Trim Panel, tailgate, carpet			B124U0037F	1
19a	Trim Panel, tailgate, tan leather			A124V0091K	1
19b	Trim Panel, tailgate, lux tan leather		Lux Tourer	A124V0092J	1

---

**Function Code 10.11a Tailgate & Release Mechanism**

<u>Dep</u>	<u>Part Description</u>	<u>Remarks</u>	<u>Option</u>	<u>Part Number</u>	<u>Qty</u>
20	Fir Tree Fastener, cap type, trim to tailgate			A116U0201F	9
21	Strut, tailgate supporting			B124B0206F	2
22	Rubber Buffer, tailgate stop			X046B6113Z	4
23	Bolt, M6 x 35, flg. hd., tailgate stop			A116W2191F	4
24	Locknut, M6, tailgate stop			A082W3085F	4
25	Washer, flat, M6 x 18 x 1, tailgate stop			B082W4018F	4
26	Cover, harness tailgate hinge			A124M0020F	1
27	Cover, shim stack			B124B0316F	2
28	Washer, special, lock barrel to body			A124B0311F	1
29	'C' Clip, lock barrel retention			A117B6009F	1
30	Handle Assembly, tailgate release, RHD		RHD	A122B0252S	1
30a	Handle Assembly, tailgate release, LHD		LHD	A122B0251S	1
31	Bracket, release handle to chassis, RH		RHD	B122B0152F	1
31a	Bracket, release handle to chassis, LH		LHD	B122B0151F	1
32	Cable, tailgate release		Common	A124U0254F	1



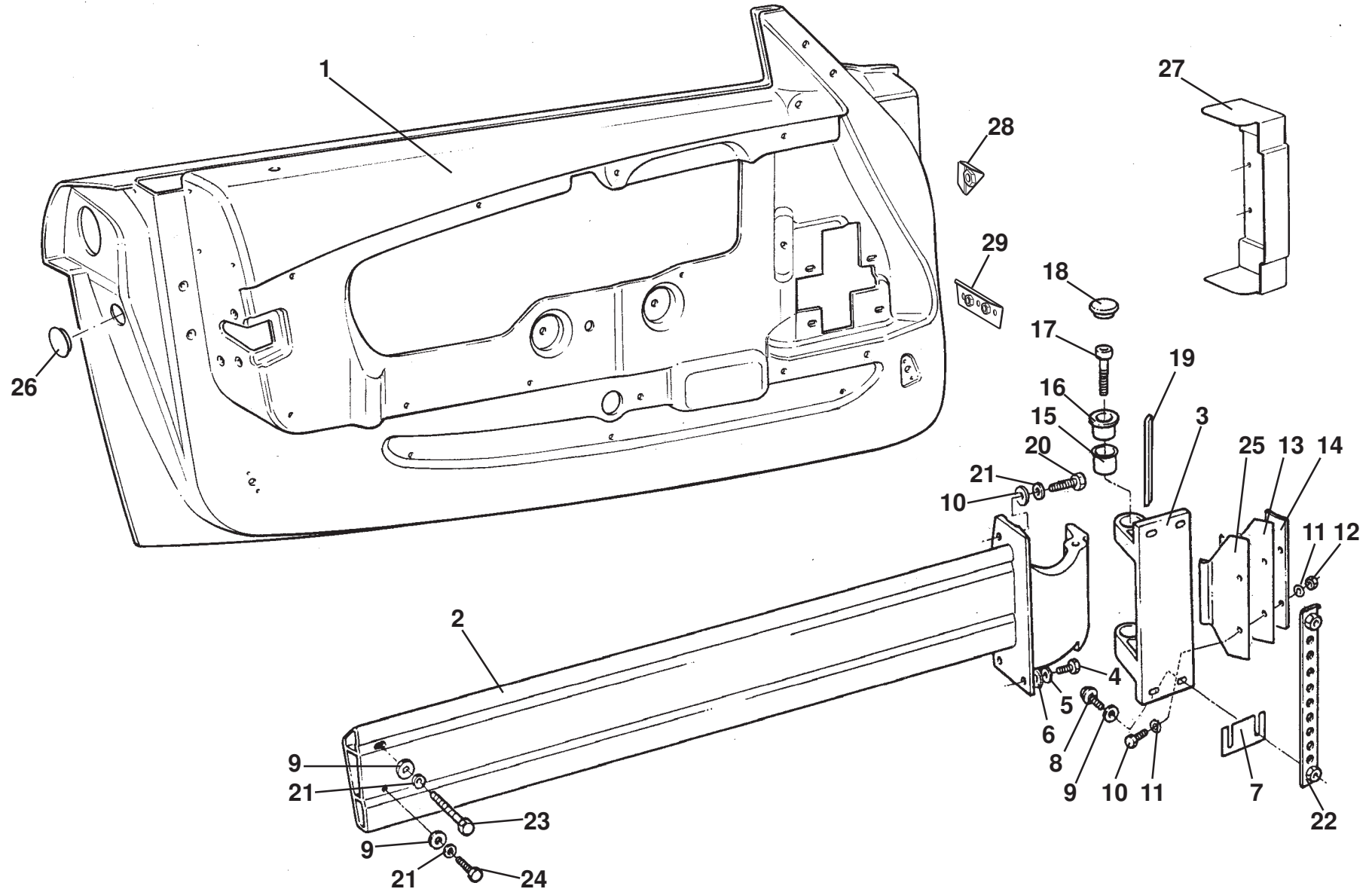
**EUROPA**

**10.13a**

---

**Function Code 10.13a Engine Compartment Finisher Panels**

<u>Dep</u>	<u>Part Description</u>	<u>Remarks</u>	<u>Option</u>	<u>Part Number</u>	<u>Qty</u>
01	Cover Assembly, engine bay, RH			A124U0134J	1
02	Cover Assembly, engine bay, LH			B124U0133J	1
03	Terry Clip, cover to backstay			A122W6777F	2
04	Pop Rivet, clip to cover			A082W6512F	2
05	Bracket, cover to bulkhead, RH			A124U0138F	1
06	Bracket, cover to bulkhead, LH			A124U0137F	1
07	Pop Rivet, brackets to bulkhead			A075W6087Z	4
08	Screw, M6 x 16, button, skt. hd., cover fixing			A082W7105F	6
09	Washer, spring, M6, cover fixing			A075W4035Z	4
10	Washer, flat, M6, cover fixing			A082W4133F	6
11	Captive Nut, M6, cover fixing			A117W3181F	6



**EUROPA**  
10.15

*Updated 27th february 2013*



# Service Parts List

# EUROPA



## Function Code 10.15 Door Shells, Beams, Hinges

<u>Dep</u>	<u>Part Description</u>	<u>Remarks</u>	<u>Option</u>	<u>Part Number</u>	<u>Qty</u>
01	Door Shell, LH		Primed	D124B0063F	1
01a	Door Shell, RH		Primed	D124B0064F	1
02	Door Beam, LH			A116U0029F	1
02a	Door Beam, RH			A116U0030F	1
03	Hinge, chassis to door beam			A111U0055F	2
04	Setscrew, M6 x 20, hex. hd., beam to door fix.			A075W1030Z	4
05	Washer, shakeproof, M6			A075W4046Z	4
06	Washer, flat, M6 x 1.5			A075W4015Z	4
07	Shim, door hinge, 1.0mm			A111B0316F	As req
07b	Shim, door hinge, 1.5mm			A111B0317F	As req
07b	Shim, door hinge, 1.5mm			A111B0317F	As req
07c	Shim, door hinge, 2.0mm			B111B0314F	As req.
08	Screw, M8 x 30, cap hd.			A089W7052F	8
09	Washer, flat, M8 x 16.6 x 1.4			A075W4020Z	18
10	Screw, M6 x M20, hex. hd.			A075W1030Z	4
11	Washer, flat, M6			A075W4013Z	8
12	Nut, M6, Nyloc			A075W3009Z	4
13	Spring Plate, door check	Fit follower, item 25 to plate		C111B0174F	2

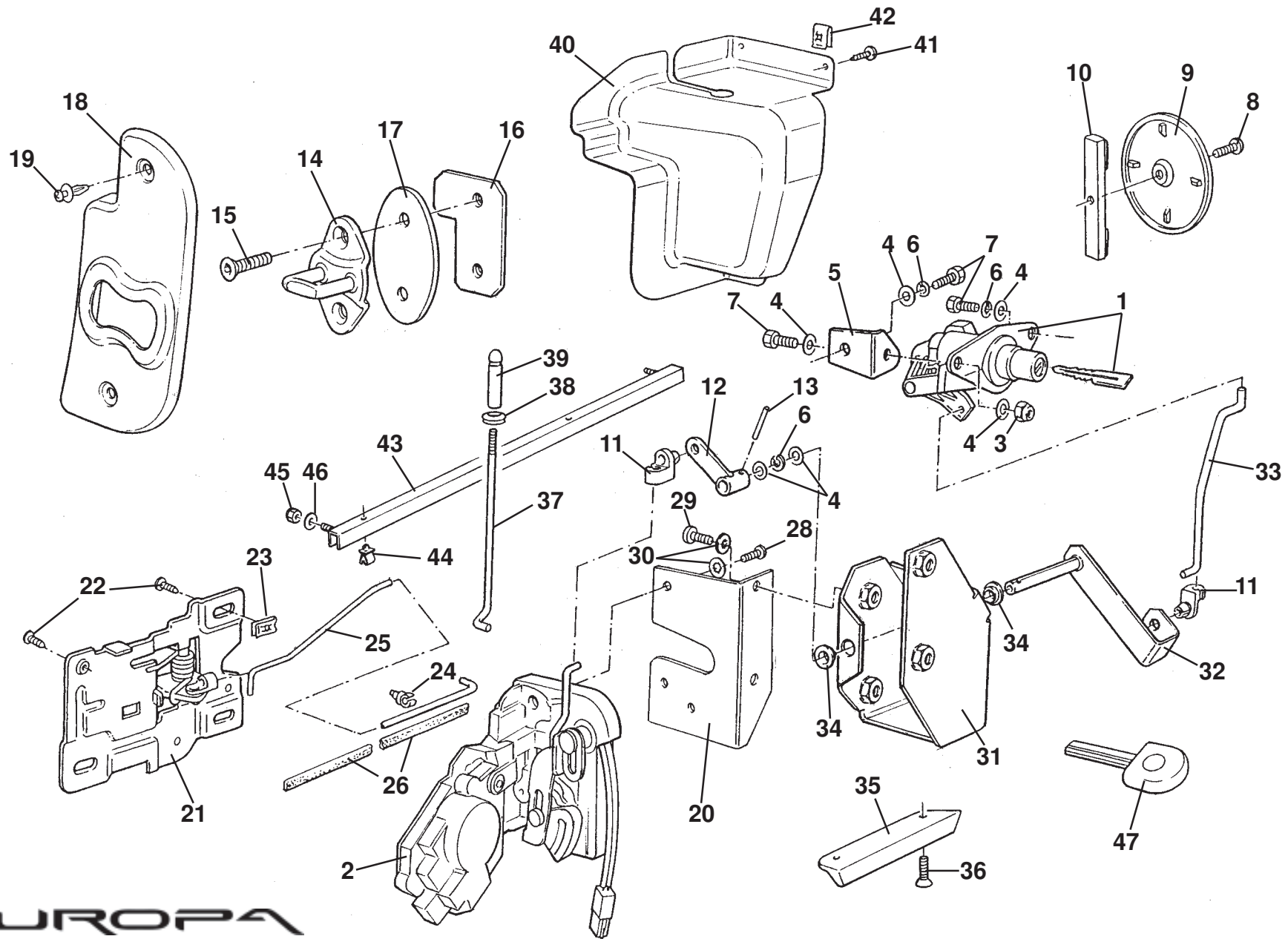
EUROPA

Function Code: 10.15, Page: 1

Updated 27th february 2013

**Function Code 10.15 Door Shells, Beams, Hinges**

<u>Dep</u>	<u>Part Description</u>	<u>Remarks</u>	<u>Option</u>	<u>Part Number</u>	<u>Qty</u>
14	Support Plate, door check spring			C111B0175F	2
15	Bearing, door hinge			A111U6025F	4
16	Bush, door hinge			A111U0057F	4
17	Screw, M10 x 30, cap hd.			A075W7030F	4
18	Dust Cap, door hinge			A111U6024F	2
19	Door Stop Buffer Strip	Cut to fit, 135mm, 2 off	B111B0178K R/B	B111B0177V	As req.
20	Setscrew, M8 x 20, hex. hd., beam to door fix.			A075W1038Z	4
21	Washer, shakeproof, M8			A075W4048Z	10
22	Nutplate, door hinges	Fitted in chassis		A111U0056F	4
23	Bolt, M8 x 45, hex,hd.,beam to rear bracket, upper			A075W2040Z	2
24	Setscrew, M8 x 25, hex. hd., beam to rear bracket, lower			A075W1039Z	2
25	Follower, door check spring	Fit to item 13		A116B0418F	2
26	Blanking Grommet, door rear			A082B6057F	2
27	Cover, door hinge			A116B6006F	2
28	Nutplate, door to beam, upper	Bonded inside doorshell		B111B0082K	2
29	Nutplate, door to beam, lower	Bonded inside doorshell		A111B0081K	2
30	Curtain, plastic, door inner aperture	Not illustrated		A124B0265F	2



**EUROPA**  
10.17

# Service Parts List

# EUROPA



## Function Code 10.17 Door Latch Mechanism

<u>Dep</u>	<u>Part Description</u>	<u>Remarks</u>	<u>Option</u>	<u>Part Number</u>	<u>Qty</u>
01	Vehicle Lock Set, door, tailgate, steering, fuel + keys	Includes blank keys that need to be cut to keyblade template supplied in kit		C124H0001J	1
02	Latch mechanism, LH			A124B0199F	1
02a	Latch mechanism, RH			A124B0200F	1
03	Nyloc Nut, M6, support bracket fix.			A075W3009Z	2
04	Washer, flat, M6 x 12.1 x 1.4, support bracket fix.			A075W4013Z	12
05	Support Bracket, release button, LH			B116U0135F	1
05a	Support Bracket, release button, RH			B116U0136F	1
06	Washer, wavy, 0.25", support brkt. fix.			A075W4087F	6
07	Setscrew, M6 x 16, support brkt. fix.			A075W1028Z	6
08	Screw, M5 x 16, pan pozi, cover reflector fix			A082W5184F	2
09	Reflector/Cover			A117M6026F	2
10	Fixing Strap, cover plate			A111U0095K	2
11	Nylon Clip, linkage retention			A082U6267F	4
12	Lever, door latch release			A124B0233F	2
13	Spring Pin, door latch lever to spindle retention			A116U0129F	2
14	Striker			A124B0201F	2
15	Screw, M8 x 18, csk. skt. hd., striker to bracket			A124W7217F	4

EUROPA

Function Code: 10.17, Page: 1

Updated 5th January 2015

**Function Code 10.17 Door Latch Mechanism**

<u>Dep</u>	<u>Part Description</u>	<u>Remarks</u>	<u>Option</u>	<u>Part Number</u>	<u>Qty</u>
16	Nutplate, striker to bracket, LH			A124B0113F	1
16a	Nutplate, striker to bracket, RH			A124B0114F	1
17	Finisher Plate, door strker			A124U0068F	2
18	Cover, door striker, LH			A124U0059F	1
18a	Cover, door striker, RH			A124U0058F	1
19	Plastic Fastener, cover fixing			A100W6391F	4
20	Mounting Plate, latch, LH	Bonded to inner door		A124B0107H	1
20a	Mounting Plate, latch, RH	Bonded to inner door		A124B0108H	1
21	Release, door latch, interior, LH	Includes handle		A111U6005F	1
21a	Release, door latch, interior, RH	Includes handle		A111U6004F	1
22	Screw, No. 8 x 0.75", pozi., door release fix.			A075W5074F	8
23	Spire Nut, No.8, captive, door release fix.			A075W6016Z	6
24	Plastic Clip, interior release rod guide			A075J6027Z	4
25	Rod, interior release to latch, LH			A124B0235F	1
25a	Rod, interior release to latch, RH			A124B0236F	1
26	Foam Strip, 19 x 3mm			A082U6067F	As req.
28	Screw, M6x 12, pan pozi., latch fixing			A111W5214F	10
29	Screw, M6 x 20, flg hd., latch fixing			A082W5206F	6
30	Washer, shakeproof, M6, door latch fixing			A075W4046Z	6
31	Bracket, door beam attachment, LH			A124B0119F	1
31a	Bracket, door beam attachment, RH			A124B0120F	1

**Function Code 10.17 Door Latch Mechanism**

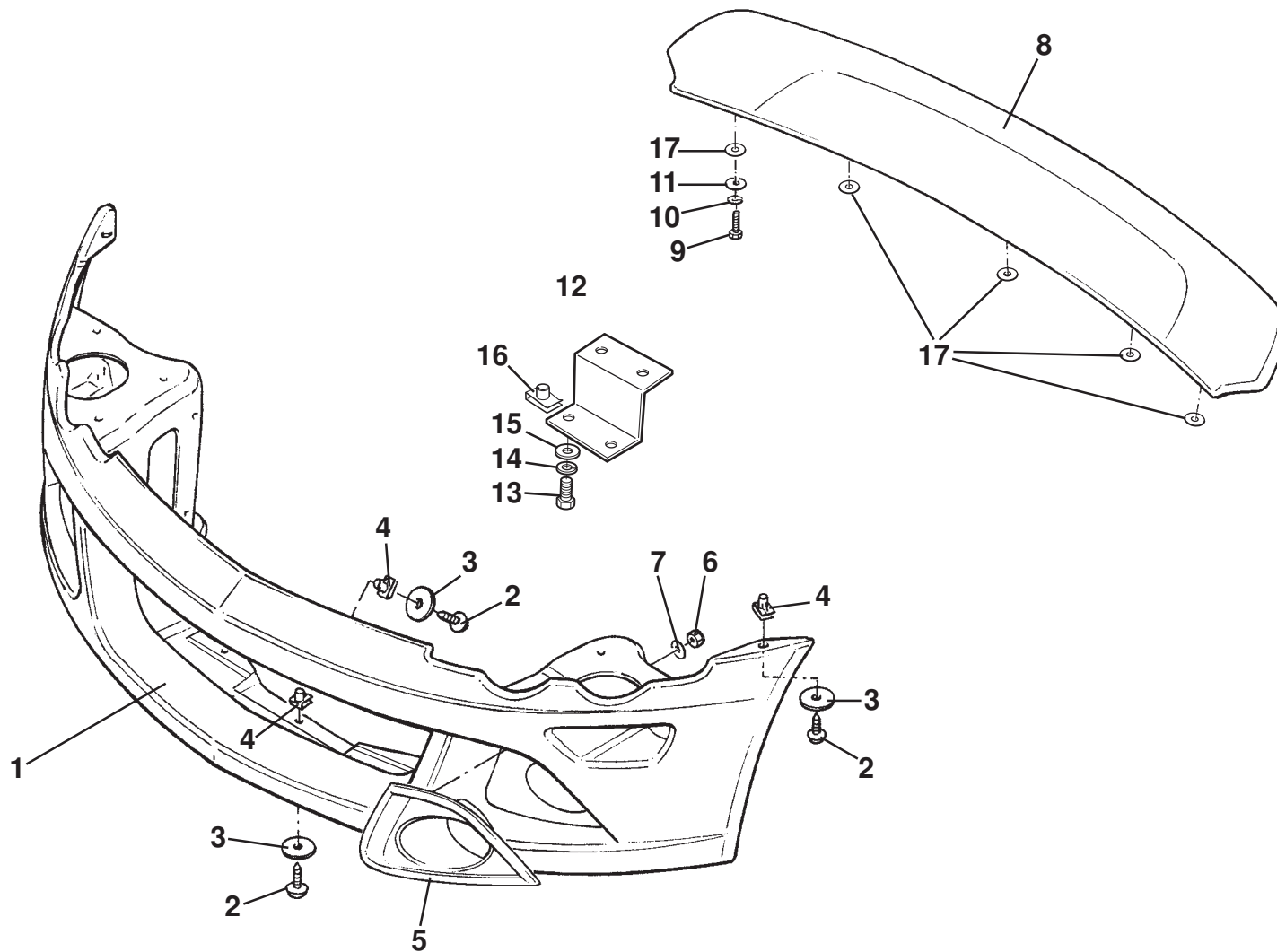
<u>Dep</u>	<u>Part Description</u>	<u>Remarks</u>	<u>Option</u>	<u>Part Number</u>	<u>Qty</u>
32	Spindle/Lever, door latch release, LH			A124B0121F	1
32a	Spindle/Lever, door latch release, RH			A120B0122F	1
33	Rod, latch to release button			B124B0111F	2
34	Bush, lever/spindle assy.			A111U6018F	4
35	Door Pull, exterior, LH			A116B0193F	1
35a	Door Pull, exterior, RH			A116B0194F	1
36	Screw, M4 x 16, csk, cap hd., exterior door pull fix.	Black dacromet finish		A117W7208F	4
37	Rod, CDL to sill button, LH			A124B0109F	1
37a	Rod, CDL to sill button, RH			A124B0110F	1
38	Grommet, button through sill			X036L6004F	2
39	Button, door locking			A117U0330F	2
40	Cover, door latch, LH	Latch security		A124B0239F	1
40a	Cover, door latch, RH	Latch security		A124B0240F	1
41	Screw, No. 8 x 0.75", flg. hd. pozi., cover to door			A075W5074Z	6
42	Spirenut, No. 8, cover to door			A075W6016Z	6
43	Cover, door release rod, LH			A117U0321F	1
43a	Cover, door release rod, RH			A117U0320F	1
44	Clip, release rod to cover			A082W6457F	4
45	Nyloc Nut, M5, cover to door			A100W3113F	4
46	Washer, flat, 3/16", cover to door			A075W4009Z	4
47	Blank Key, with transponder	Order with lock set		A124H6000F	2

---

**Function Code 10.17 Door Latch Mechanism**

<u>Dep</u>	<u>Part Description</u>	<u>Remarks</u>	<u>Option</u>	<u>Part Number</u>	<u>Qty</u>
47a	Cut Key, with transponder*	Order from Bolton Lock		<b>A124H6001S</b>	2
48	Lock Lubricant	Not illustrated		<b>A117U6019S</b>	25ml
		*NOTE: For full information on all Lotus Security Systems, see LSL483g			

---



**EUROPA**

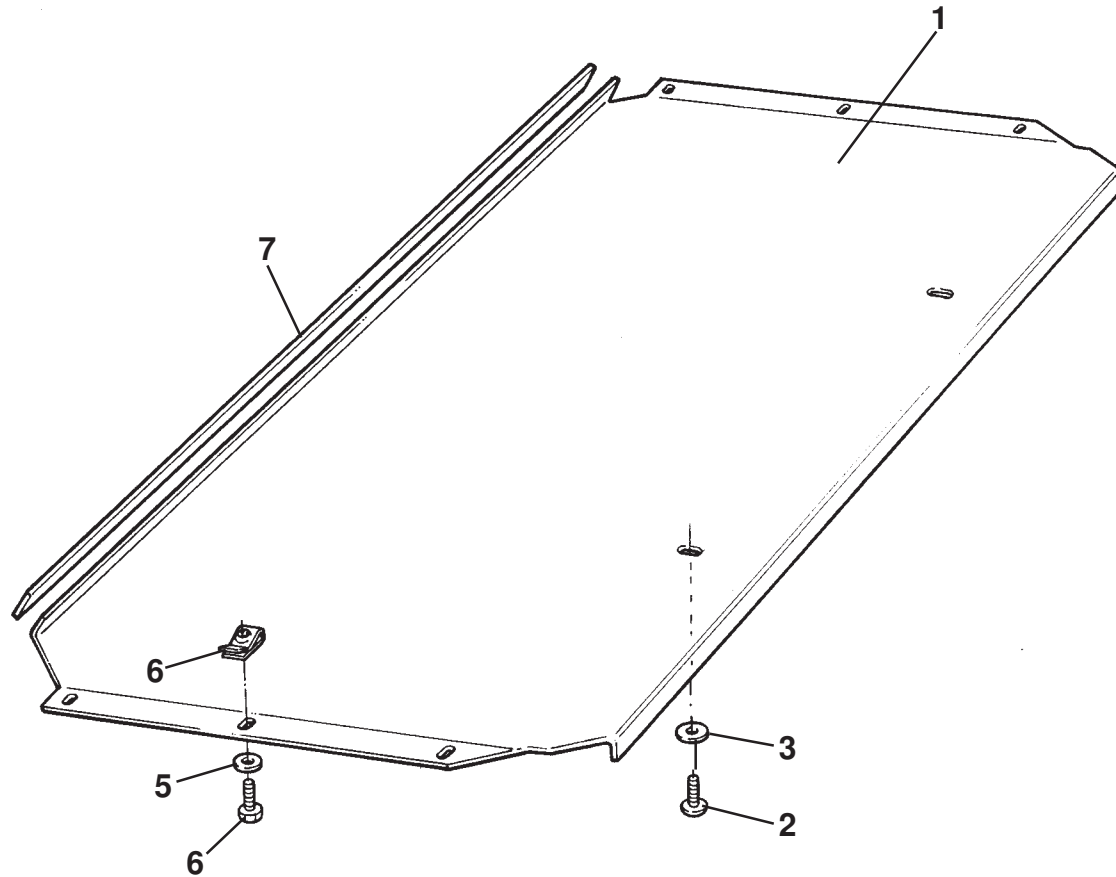
**10.23**

**2009/01**



**Function Code 10.23 Bumpers, Valences Spoilers & Aerofoils**

<u>Dep</u>	<u>Part Description</u>	<u>Remarks</u>	<u>Option</u>	<u>Part Number</u>	<u>Qty</u>
01	Bumper, front		Primed	B124B0294F	1
02	Screw, delta point, M5, bumper to clam/undertray			A124W5289F	7
03	Washer, flat, M5 x 25 x 1.5 S/S, bumper to clam/undertray			A124W4195F	7
04	Easy Boss, 50 x 2 x 12.0, bumper to clam/undertray			A124W3194F	7
05	Trim Panel, driving lamp surround, LH			A124B0307F	1
05a	Trim Panel, driving lamp surround, RH			A124B0306F	1
06	Nyloc Nut, M5, panel to bumper			A075W3008F	6
07	Washer, flat, M5 x 19 x 1.4, S/S, black, panel to bumper			B082W4107Z	6
08	Spoiler, rear, incl. CHMSL		Primed	A124B0325K	1
09	Screw, M6 x 25, hex. hd., spoiler to tailgate			A075W1031Z	3
10	Washer, spring. M6, spoiler to tailgate			A075W4035Z	3
11	Washer, flat, M6 x 12.1 x 1.4, spoiler to tailgate			A075W4013Z	3
12	Bracket, front bumper mounting			B124B0100F	1
13	Screw, M6 x 20, hex, hd., bumper to bracket			A075W1030Z	2
14	Washer, flat, M6 x 25 x 1.4, bumper to bracket			B075W4017Z	2
15	Washer, spring, M6, bumper to bracket			A075W4035Z	2
16	Spirenut, M6, bumper to bracket			A117W6715F	2
17	Washer, neoprene, 8 x 25 x 3, spoiler to tailgate			A111U6055F	5



EUROPA

10.25

# Service Parts List

# EUROPA



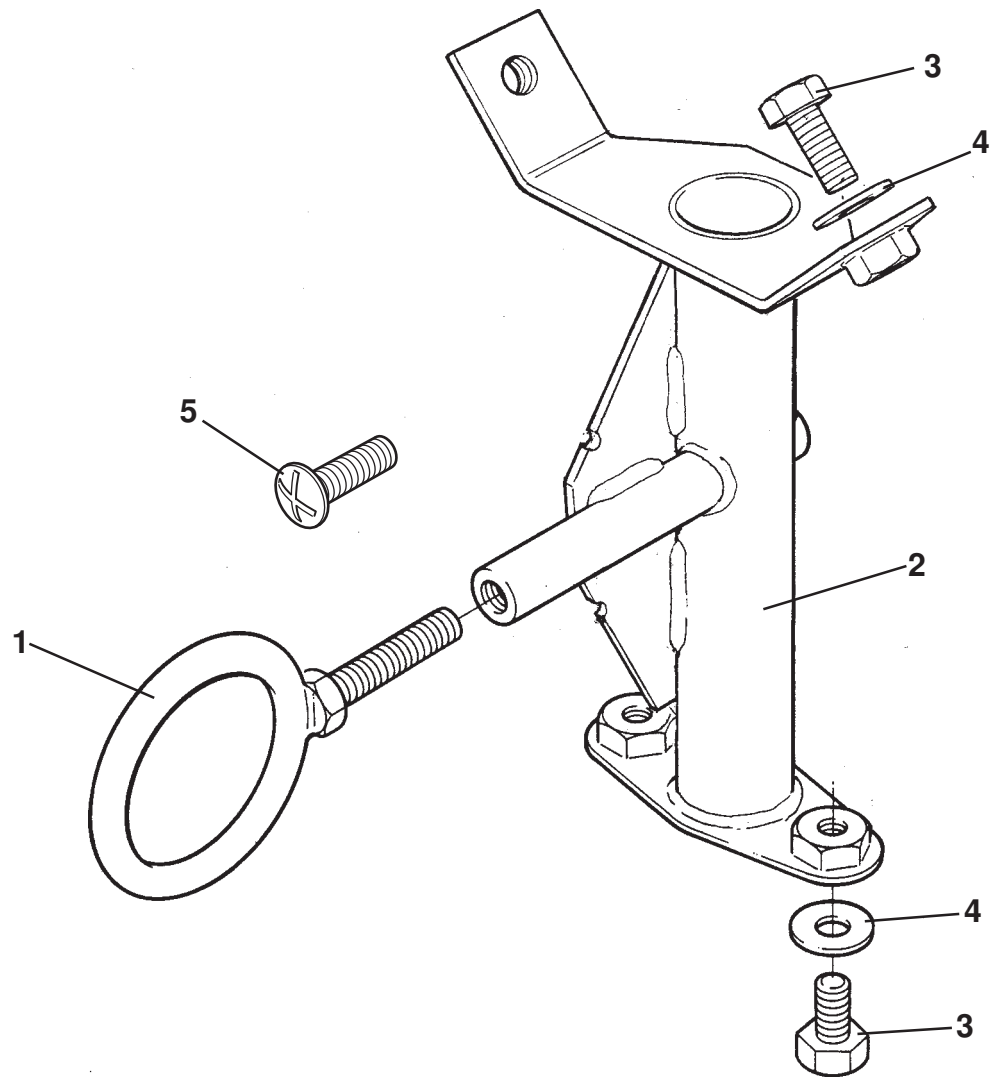
## Function Code 10.25 Undertray & Diffuser

<u>Dep</u>	<u>Part Description</u>	<u>Remarks</u>	<u>Option</u>	<u>Part Number</u>	<u>Qty</u>
01	Undertray, fuel tank			A124A0027F	1
02	Screw, M8 x 25, button hd. S/S, undertray rear fixing			A111W7175F	2
03	Washer, flat, M8 x 25 x 1.4, S/S, undertray rear fixing			A075W4021Z	2
04	Screw, M5 x 16, hex. hd. S/S, undertray side fixing			A111W1163F	6
05	Washer, flat, M5 x 18 x 1.5 S/S, undertray side fixing			B075W4009Z	6
06	Spire Nut, M5, undertray side fixing			B100W6372F	6
07	Foam Strip, self adhesive, 10mm x 6mm			A100B0431V	As req.

EUROPA

Function Code: 10.25, Page: 1

*Updated 1st July 2014*

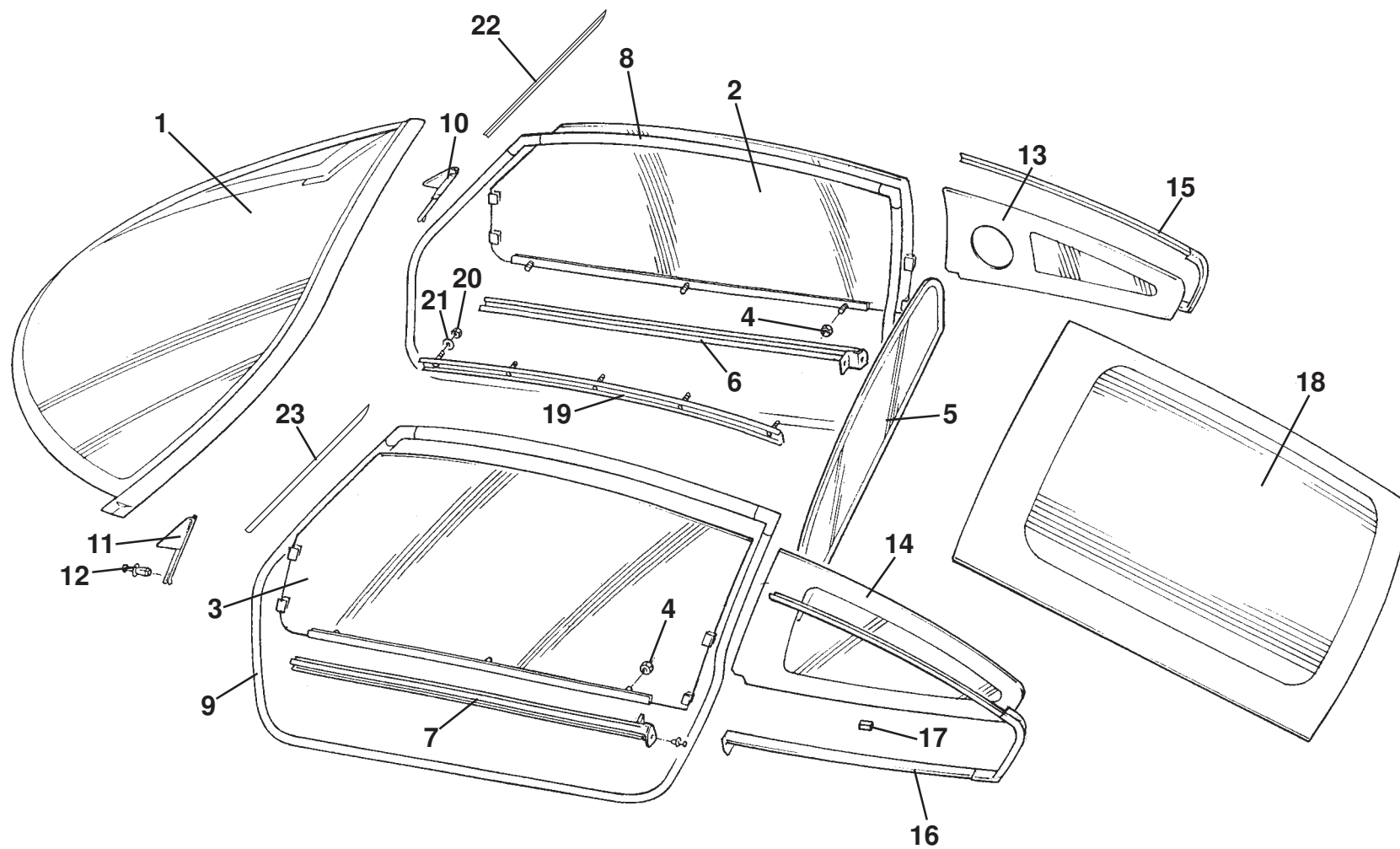


**EUROPA**  
**10.31**

---

**Function Code 10.31 Towing Strut/ Hook**

<u>Dep</u>	<u>Part Description</u>	<u>Remarks</u>	<u>Option</u>	<u>Part Number</u>	<u>Qty</u>
01	Towing Eye, with bag	P/O tool kit, see 60.01		A124T0005F	1
02	Mounting Strut, towing eye			B117B0160F	1
03	Setscrew, M8 x 16, hex. hd., grade 8.8 Zn			A075W1036Z	4
04	Washer, flat, M8 x 1.4 Zn			A075W4021Z	4
05	Screw, M8 x 20, black plastic, strut blanking			A121W5280F	1



EUROPA

11.01

# Service Parts List

# EUROPA



## Function Code 11.01 Windscreen, Door Glass, Seals & Weather Strips

<u>Dep</u>	<u>Part Description</u>	<u>Remarks</u>	<u>Option</u>	<u>Part Number</u>	<u>Qty</u>
01	Windscreen & Finisher Assembly			A117B0094F	1
02	Door Glass Assembly, RH			A124B0074F	1
03	Door Glass Assembly, LH			A124B0075F	1
04	Nyloc Nut, M6, glass to lift channel			A907E6285F	6
05	Rear Window Glass			A116B0006F	1
06	Seal Assembly, door waist, RH			B124U0006F	1
07	Seal Assembly, door waist, LH			B124U0005F	1
08	Door Seal Assembly, RH			C124U0012F	1
09	Door Seal Assembly, LH			C124U0011F	1
10	Door Cheater Seal, RH			B124U0008F	1
11	Door Cheater Seal, LH			B124U0007F	1
12	Plastic Fastener, cheater seal fix.			A079W6195F	2
13	Glass, rear quarterlight, RH			A124B0080F	1
14	Glass, rear quarterlight, LH			A124B0081F	1
15	Finisher Assembly, quarterlight, RH	*see below		B124U0016F	1
16	Finisher Assembly, quarterlight, LH	*see below		B124U0015F	1
17	Spacer, glass to body			A124U0069F	8
18	Glass, tailgate			A124B0082F	1

EUROPA

Function Code: 11.01, Page: 1

Updated 5th January 2015

---

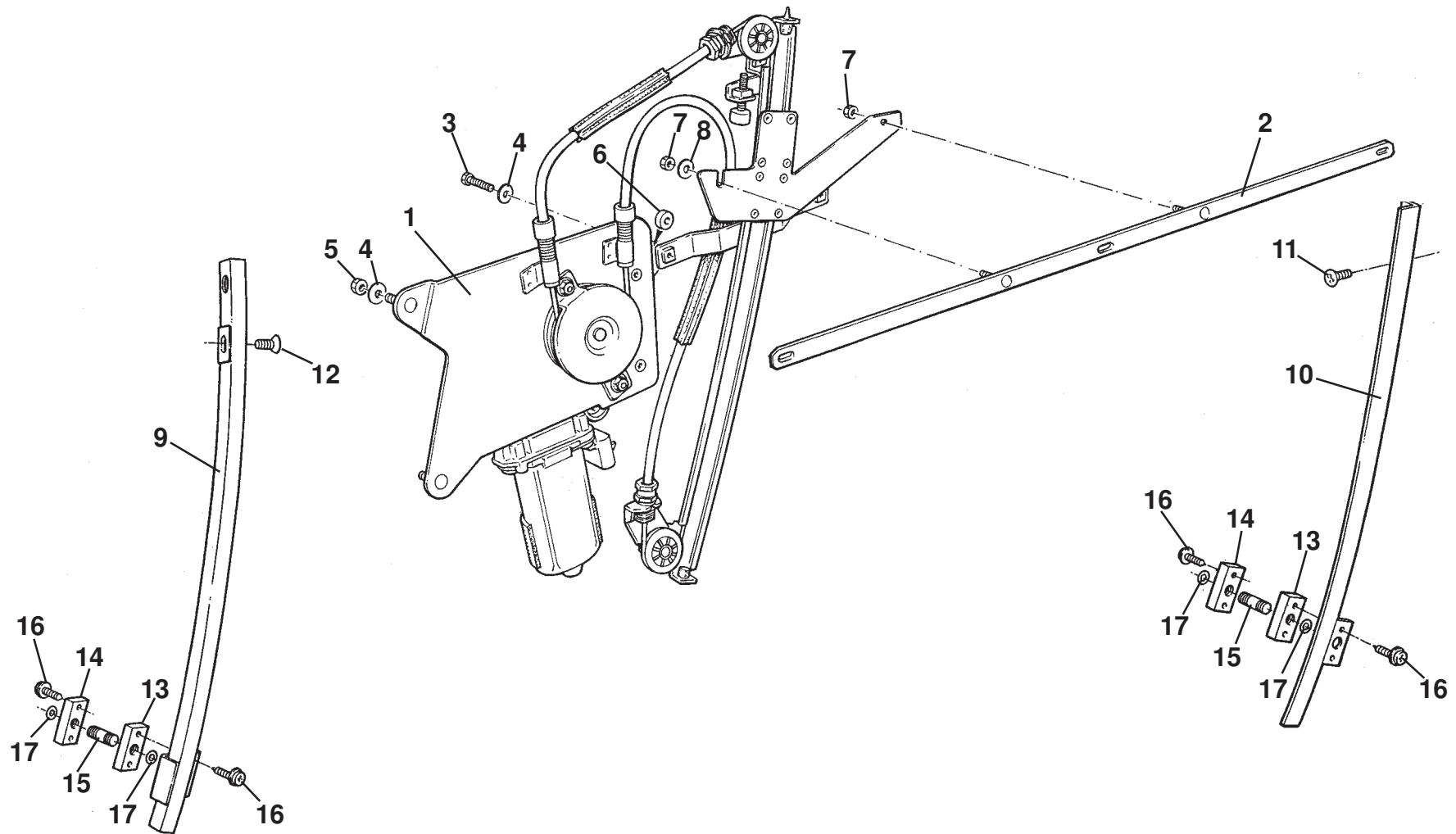
**Function Code 11.01 Windscreen, Door Glass, Seals & Weather Strips**

<u>Dep</u>	<u>Part Description</u>	<u>Remarks</u>	<u>Option</u>	<u>Part Number</u>	<u>Qty</u>
19	Seal Carrier, seal to roof			B124V0001F	2
20	Nut, M4, carrier to roof			A075W3019F	10
21	Washer, 3/16 x 3/4" S/S, carrier to roof			A075W4009Z	10
22	Seal, 'A' pillar noise reduction, RH			A117U0508F	1
23	Seal, 'A' pillar noise reduction, LH			A117U0509F	1

\*If seal supplied as illustrated,  
may require trimming if fitting  
against an extended roof edge  
finishing strip, see section 12.04a

---



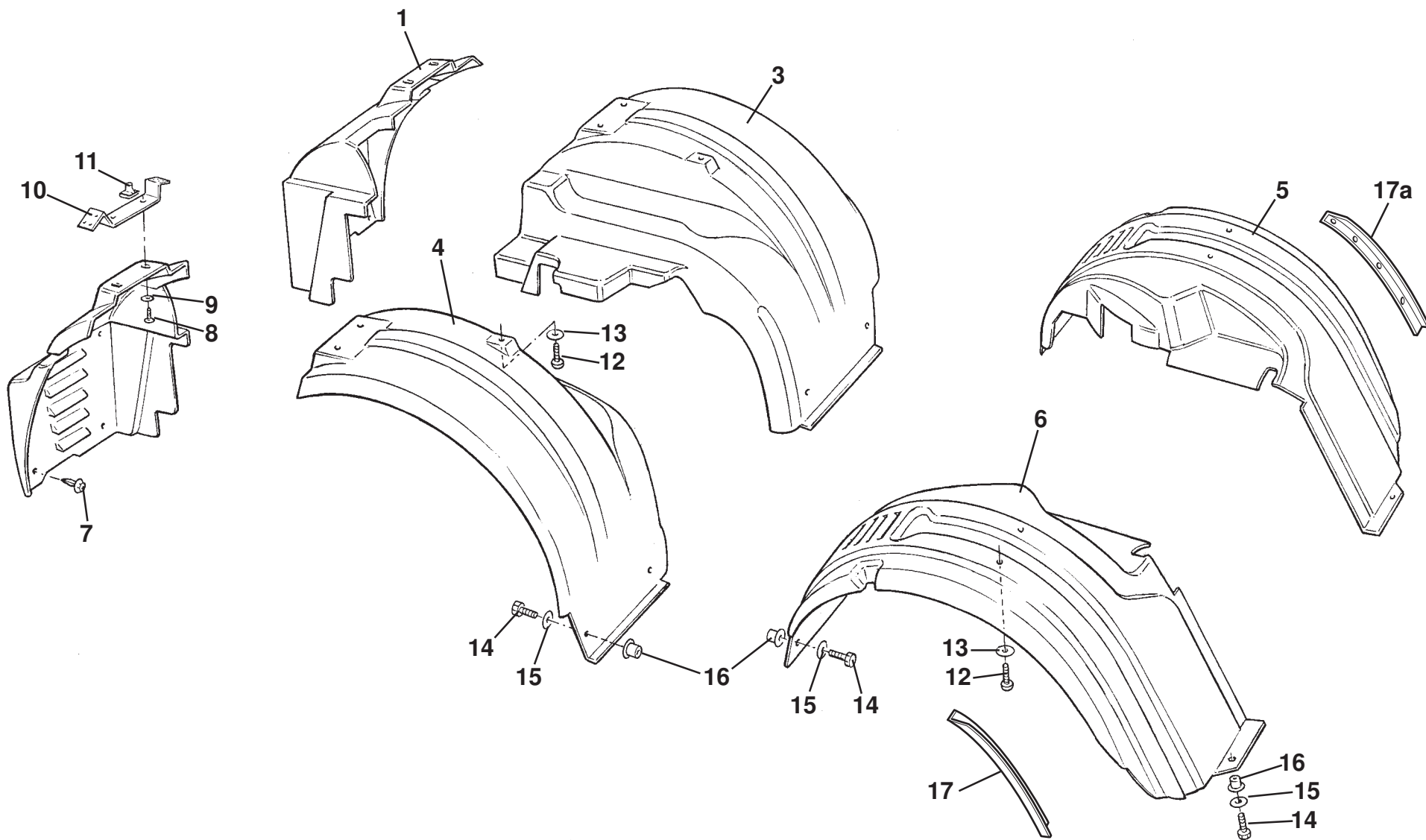


**EUROPA**

**11.02**

**Function Code 11.02 Door Window Lift Mechanism**

<u>Dep</u>	<u>Part Description</u>	<u>Remarks</u>	<u>Option</u>	<u>Part Number</u>	<u>Qty</u>
01	Window Lift Mechanism, electric, LH			B117U0389F	1
01a	Window Lift Mechanism, electric, RH			B117U0390F	1
02	Studplate Adaptor, mechanism to glass			B117U0391H	2
03	Screw, M6 x 20, hex. hd., mechanism to door			A075W1030Z	6
04	Washer, flat, M6 x 15 x 1.5, mechanism to door			A075W4015Z	10
05	Nyloc Nut, M6, thin, motor to door			A907E6285F	4
06	Spacer, 4mm, lift channel to door			A117W4194F	6
07	Nyloc Nut, M6, thin, studplate to mechanism			A907E6285F	4
08	Washer, flat, M6 x 15 x 1.5, studplate to mechanism			A075W4015Z	2
09	Guide Rail, door glass, front, LH			C116U0007F	1
09a	Guide Rail, door glass, front, RH			C116U0006F	1
10	Guide Rail, door glass, rear, LH			D116U0005F	1
10a	Guide Rail, door glass, rear, RH			D116U0004F	1
11	Screw, M5 x 12, csk. pozi., rail to door rear			A100W5196F	2
12	Screw, M5 x 12, csk. skt. hd., rail to door front	Black dacromet finish		A117W7207F	2
13	Adjuster Block, guide rail LH thread			A116U0020F	4
14	Adjuster Block, guide rail RH thread			A116U0021F	4
15	Stud, rail adjusting			A116U0022F	4
16	Screw, No,8 x 0.75", flg. pozi, hd., block fixing			A075W5074Z	16
17	'O' Ring			A116U0023F	8



**EUROPA**  
**12.01**

*Updated 28th January 2011*

# Service Parts List

# EUROPA



## Function Code 12.01 Wheelarch Liners

<u>Dep</u>	<u>Part Description</u>	<u>Remarks</u>	<u>Option</u>	<u>Part Number</u>	<u>Qty</u>
01	Panel, headlamp access, front wheelarch, RH			B124B0132F	1
02	Panel, headlamp access, front wheelarch, LH			B124B0131F	1
03	Wheelarch Liner, front, RH, RHD			B124B0134F	1
03a	Wheelarch Liner, front, RH, LHD			B124B0128F	1
04	Wheelarch Liner, front, LH, RHD			B124B0133F	1
04a	Wheelarch Liner, front, LH, LHD			B124B0127F	1
05	Wheelarch Liner, rear, RH			D124B0130F	1
06	Wheelarch Liner, rear, LH			D124B0129F	1
07	Plastic Fastener, access panel			A100W6391F	8
08	Screw, delta point, 50 x 25, access panel fix.			A124W5289F	4
09	Washer, flat, M5 x 25 x 1.5, S/S black, access panel fix.			A124W4195F	4
10	Bracket, front liner/access panel, LH	Bonded to clamshell		A124B0185H	1
10a	Bracket, front liner/access panel, RH	Bonded to clamshell		A124B0186H	1
11	Easy Boss, 50 x 2.0 x 12.0, access panel fix.			A124W3194F	4
12	Screw, M6 x 16, button hd. S/S black, liner fixing			A082W7105F	8
13	Washer, flat, M6 x 25 x 1.4, S/S black, liner fixing			A082W4131F	8
14	Screw, No.8 x 0.75", flg, pozi., liner fixing			A075W5074Z	10
15	Washer, flat, M5 x 19 x 1.4, S/S black, liner fixing			B082W4107F	10

EUROPA

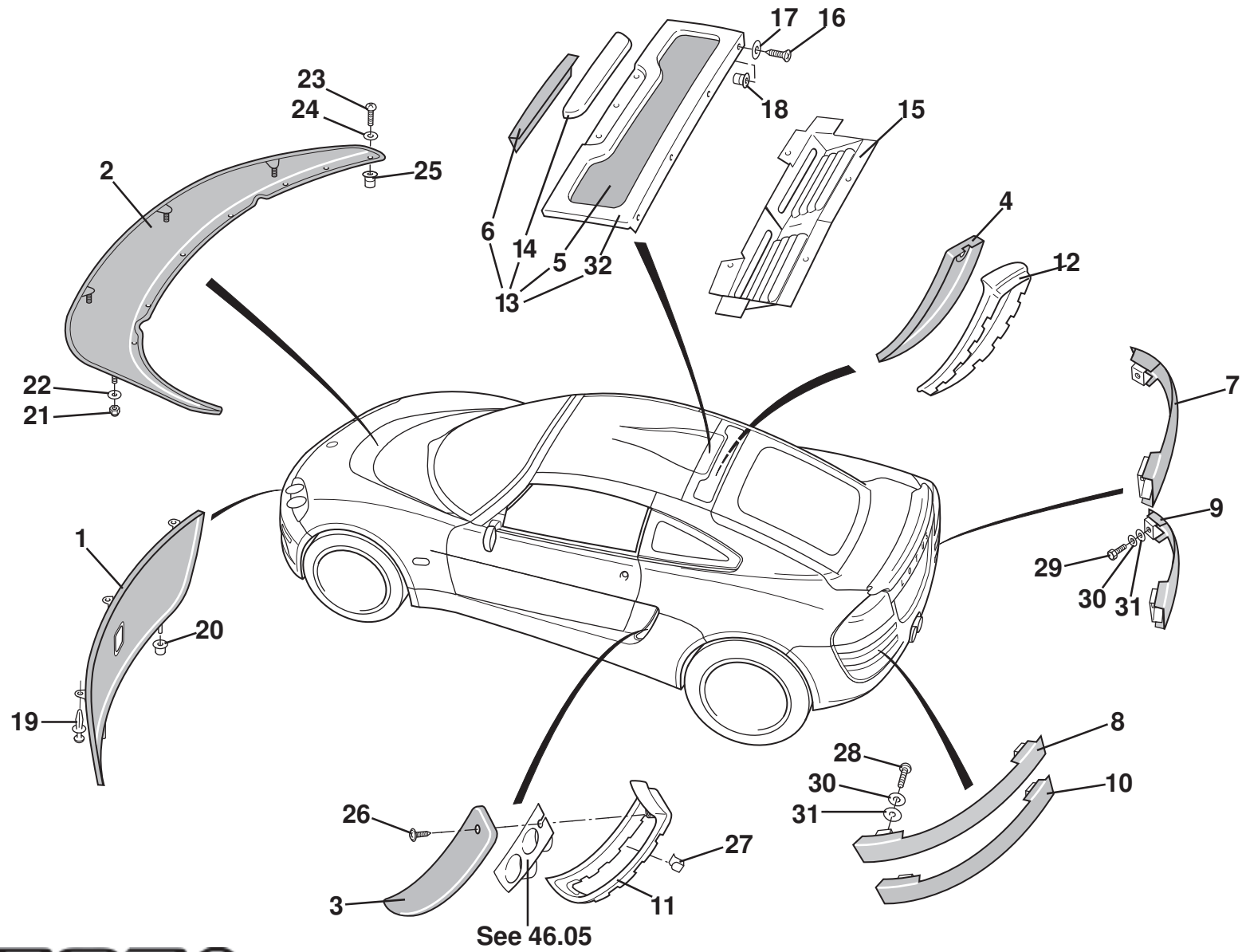
Function Code: 12.01, Page: 1

Updated 28th January 2011

---

**Function Code 12.01 Wheelarch Liners**

<u>Dep</u>	<u>Part Description</u>	<u>Remarks</u>	<u>Option</u>	<u>Part Number</u>	<u>Qty</u>
16	Captive Nut, No.8, liner fixing			A075W6172F	10
17	Rear wheel arch extension finisher, LH		SE	A124B4019K	1
17a	Rear wheel arch extension finisher, RH		SE	A124B4020K	1



**EUROPA**  
**12.03**

# Service Parts List

# EUROPA



## Function Code 12.03 Grilles and Louvres

<u>Dep</u>	<u>Part Description</u>	<u>Remarks</u>	<u>Option</u>	<u>Part Number</u>	<u>Qty</u>
01	Grille Assembly, front intake, black			D124B0287F	1
01a	Grille Assembly, front intake, silver		Lux Tourer	A124B0342K	1
02	Grille Assembly, front exit, black			C124B0246F	1
02a	Grille Assembly, front exit, silver		Lux Tourer	A124B0339K	1
03	Grille, engine bay side intake, LH, black	To airbox + turbo cooling		C124B0157F	1
03a	Grille, engine bay side intake, LH, silver	To airbox + turbo cooling	Lux Tourer	A124B4017K	1
04	Grille, engine bay side intake, RH, black	To intercooler		C124B0158F	1
04a	Grille, engine bay side intake, RH, silver	To intercooler	Lux Tourer	A124B4018K	1
05	Grille, turbo heat exit, black	Bonded to grille panel		D124B0159F	1
05a	Grille, turbo heat exit, silver	Bonded to grille panel	Lux Tourer	A124B0340K	1
06	Grille, engine bay roof intake, black	Bonded to grille panel		D124B0160F	1
06a	Grille, engine bay roof intake, silver	Bonded to grille panel	Lux Tourer	A124B0341K	1
07	Grille Assembly, rear clamshell, upper, RH, black			D124B0176F	1
07a	Grille Assembly, rear clamshell, upper, RH, silver		Lux Tourer	A124B4002K	1
08	Grille Assembly, rear clamshell, upper, LH, black			D124B0177F	1
08a	Grille Assembly, rear clamshell, upper, LH, silver		Lux Tourer	A124B4001K	1
09	Grille Assembly, rear clamshell, lower, RH, black			D124B0178F	1
09a	Grille Assembly, rear clamshell, lower, RH, silver		Lux Tourer	A124B4016K	1

EUROPA

Function Code: 12.03, Page: 1

Updated 2nd February 2015

**Function Code 12.03 Grilles and Louvres**

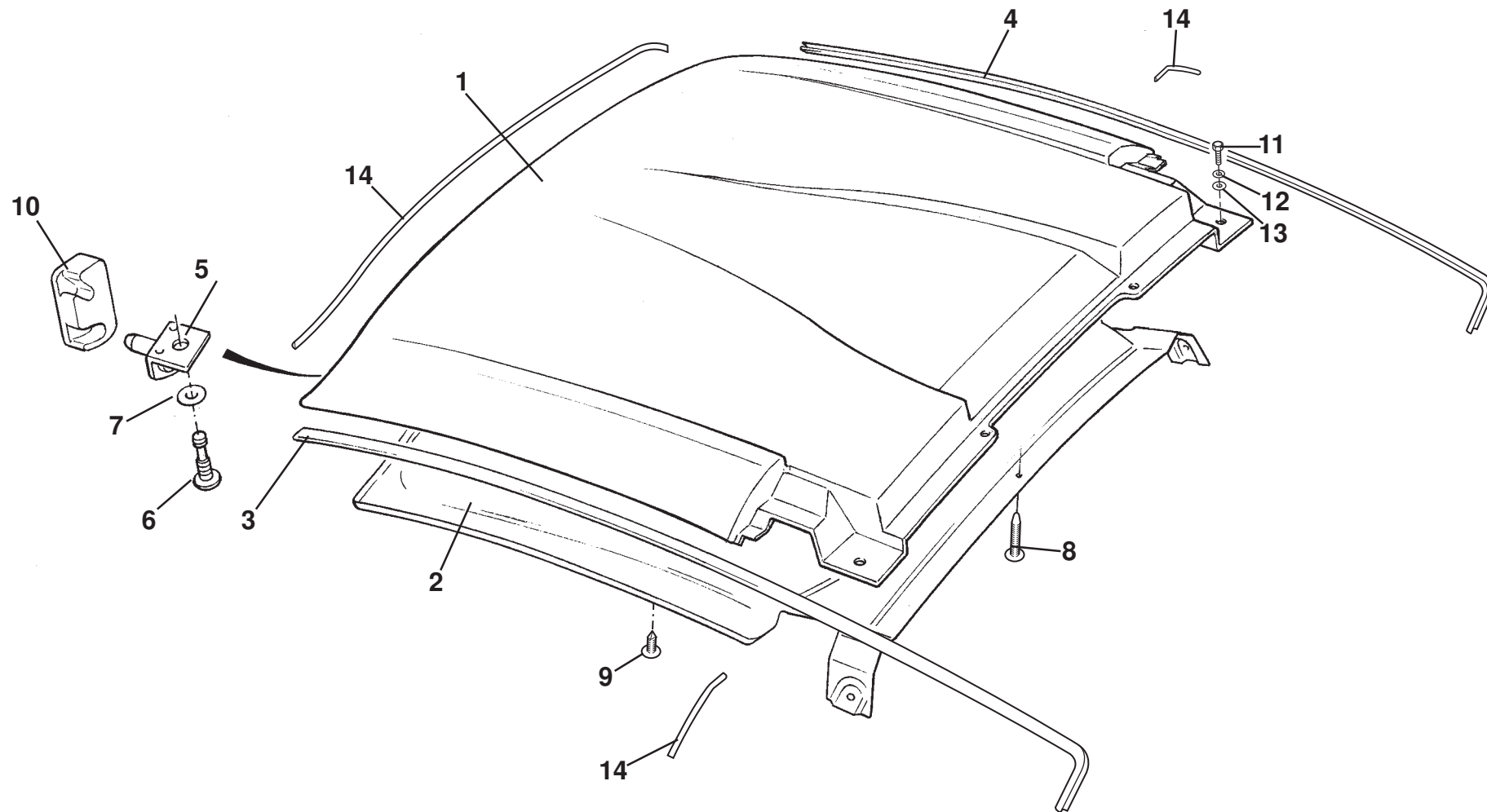
<u>Dep</u>	<u>Part Description</u>	<u>Remarks</u>	<u>Option</u>	<u>Part Number</u>	<u>Qty</u>
10	Grille Assembly, rear clamshell, lower, LH, black			D124B0179F	1
10a	Grille Assembly, rear clamshell, lower, LH, silver		Lux Tourer	A124B4015K	1
11	Finisher, intake grille, LH			B124U0073F	1
12	Finisher, intake grille, RH			B124U0074F	1
13	Panel, turbo heat exit grille	Black finish, incl. Items 5, 6, 14	Painted	A124B0251K	1
14	Panel, cosmetic, turbo heat exit grille	Bonded to grille panel	Primed (for body colour)	A124B0182F	1
15	Panel, louvre, turbo heat exit	For fixings see 10.01		A124B0170F	1
16	Screw, M4 x 16, csk. pozi. black, panel to clamshell			A100W5160F	8
17	Washer, flat, M5 x 19 x 1.4, S/S black			B082W4107F	8
18	Plastic Captive Nut, M4, panel to clam.			A120W3186F	8
19	Plastic Fastener, grille to bumper upper			A100W6391F	3
20	Pocket, grille spigot to bumper lower			A124W6788F	2
21	Nyloc Nut, M5, exit grille to clamshell			A075W3008F	4
22	Washer, flat, M5 x 19 x 1.4, exit grille to clamshell			B082W4107Z	4
23	Screw, No.8 x 0.75", pan pozi., grille to clam.			A075W5074Z	9
24	Washer, flat, M5 x 19 x 1.4, S/S black, grille to clam.			B082W4107F	9
25	Plastic Captive Nut, M4, grille to clam.			A120W3186F	9
26	Screw, no. 6 x 0.5", flg. self tap. side grilles to finishers			A089W5138F	2
27	Edge Clip, finisher to body			A124W6799F	16
28	Screw, M5 x 20, button hd. black, upper rear grilles fix.			A111W7152F	4
29	Screw, M5 x 16, hex. hd. black, lower rear grilles fix.			A082W1088F	4



---

**Function Code 12.03 Grilles and Louvres**

<u>Dep</u>	<u>Part Description</u>	<u>Remarks</u>	<u>Option</u>	<u>Part Number</u>	<u>Qty</u>
30	Washer, int. shakeproof, M5			<b>A075W4045Z</b>	8
31	Washer, flat, M5 x 19 x 1.4, S/S black, rear grilles fix.			<b>B082W4107F</b>	8
32	Panel, turbo heat exit grille	Excludes grille	Primed (for body colour)	<b>A124B0250F</b>	1



**EUROPA**

**12.04a**

*Updated 2nd February 2015*

# Service Parts List

# EUROPA



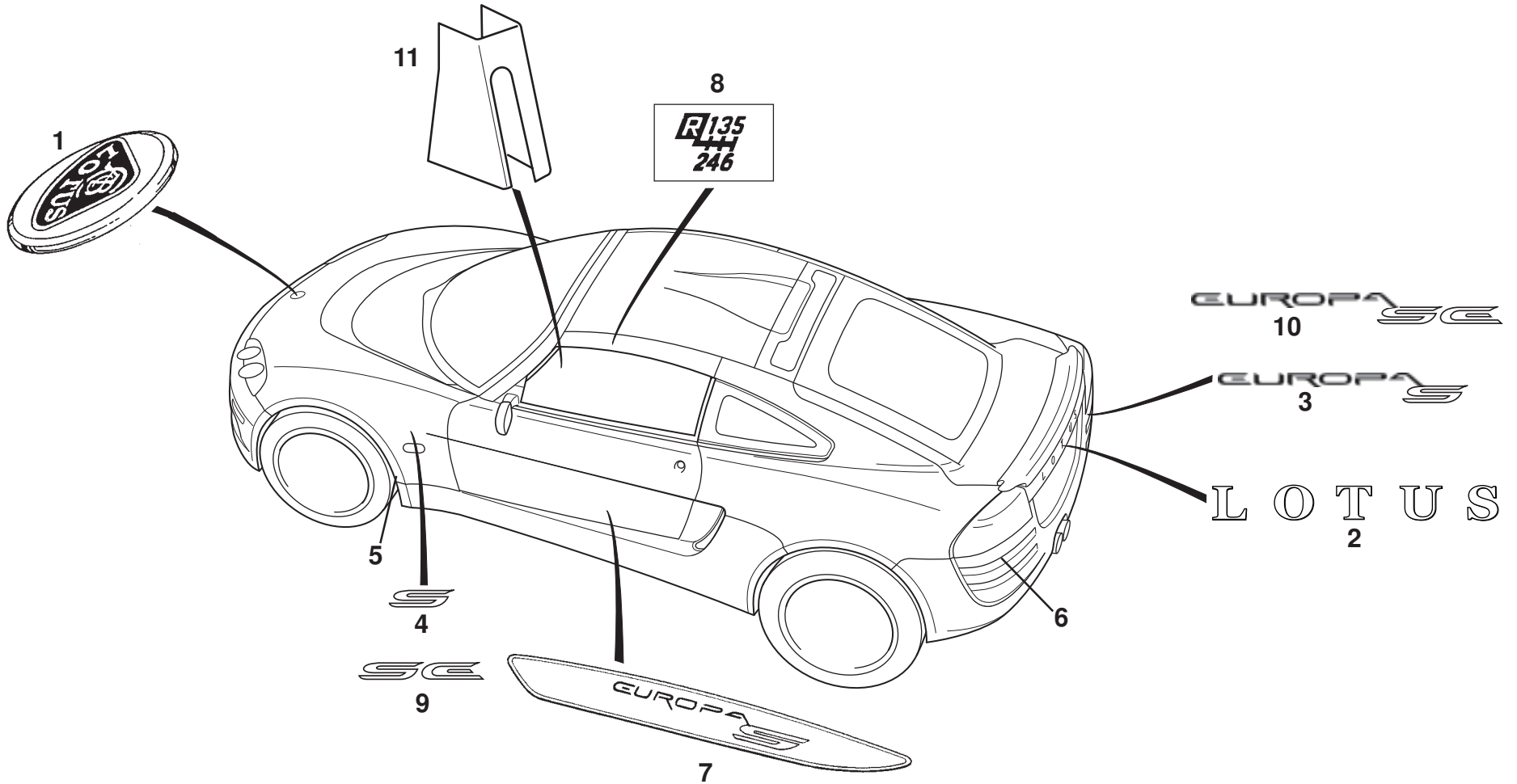
## Function Code 12.04a Roof Panel, Seals & Fixings

<u>Dep</u>	<u>Part Description</u>	<u>Remarks</u>	<u>Option</u>	<u>Part Number</u>	<u>Qty</u>
01	Roof Panel Assembly		Primed	B124B0051F	1
02	Trim Panel, roof headlining, black cloth		Standard	B124U0029F	1
02a	Trim Panel, roof headlining, lux tan leather		Lux Tourer	A124U0266K	1
03	Finishing Strip, roof edge, LH	(now goes to rear of 1/4 light)	A124U0071F R/B	A124U0262F	1
04	Finishing Strip, roof edge, RH	(now goes to rear of 1/4 light)	A124U0072F R/B	A124U0262F	1
05	Pin Clamp, hard top front			A116V0350F	2
06	Clunk Bolt, M8, torx, clamp to roof	Black finish		A116B1075F	2
07	Washer, flat, M8 x 21 x 1.6, clamp to roof	Black finish		A111W4159F	2
08	Fir Tree Fastener, trim panel fixing			A124W6812F	4
08a	Fir Tree Fastener, trim panel fixing	Trimmed for item 02a	Lux Tourer	A124V0108S	4
09	Fir Tree Fastener, cap type, trimmed pocket fix	Trimmed for item 02a	Lux Tourer	A116U0201F	2
10	Latch Plate, front, LH	Bonded to windscreen frame		A116B0001F	1
10a	Latch Plate, front, RH	Bonded to windscreen frame		A116B0002F	1
11	Screw, M6 x 25, hex. hd., roof rear fixing			A075W1031Z	4
12	Washer, spring, M6, roof rear fixing			A075W4035Z	4
13	Washer, flat, M6 x 25 x 1.4, roof rear fixing			B075W4017Z	4
14	Seal 'D' section, self adhesive, 1.17M, roof front & rear	Cut to fit, 130mm for rear corners		B116U0211F	2

EUROPA

Function Code: 12.04a, Page: 1

Updated 22nd December 2010



**EUROPA**  
**12.05**

*Updated 16th July 2012*

# Service Parts List

# EUROPA



## Function Code 12.05 Decals, Badges & Protective Film

<u>Dep</u>	<u>Part Description</u>	<u>Remarks</u>	<u>Option</u>	<u>Part Number</u>	<u>Qty</u>
01	Nose Badge, Lotus logo			A117U0170F	1
02	Badge, L O T U S, 'raised' letters			A124B0326F	1
03	Decal, europa 'S', silver, rear clamshell		Europa S	B124U0145F	1
03a	Decal, europa 'S', graphite, rear clamshell		Europa S	B124U0147F	1
04	Decal, 'S', silver, sides		Europa S	A128U0007F	2
04a	Decal, 'S', graphite, sides		Europa S	A128U0006F	2
05	Film, wheelarch protection, front, LH			A124U0079F	1
05a	Film, wheelarch protection, front, RH			A124U0080F	1
06	Film, blackout, rear grille, upper. LH			A124B0309F	1
06a	Film, blackout, rear grille, upper. RH			A124B0310F	1
07	Kick Plate, sill LH, Europa S		Europa S	A124U0063F	1
07a	Kick Plate, sill RH, Europa S		Europa S	A124U0064F	1
07b	Kick Plate, sill LH, Europa SE		Europa SE	A124U4035F	1
07c	Kick Plate, sill RH, Europa SE		Europa SE	A124U4036F	1
08	Decal, gearshift, 6 speed	On gear lever bezel		A120U0063F	1
09	Decal, europa 'SE', graphite, sides		Europa SE	A124B0344F	2
09a	Decal, europa 'SE', silver, sides		Europa SE	A124B0343F	2
10	Decal, europa 'SE', graphite, rear clamshell		Europa SE	A124B0346F	1

EUROPA

Function Code: 12.05, Page: 1

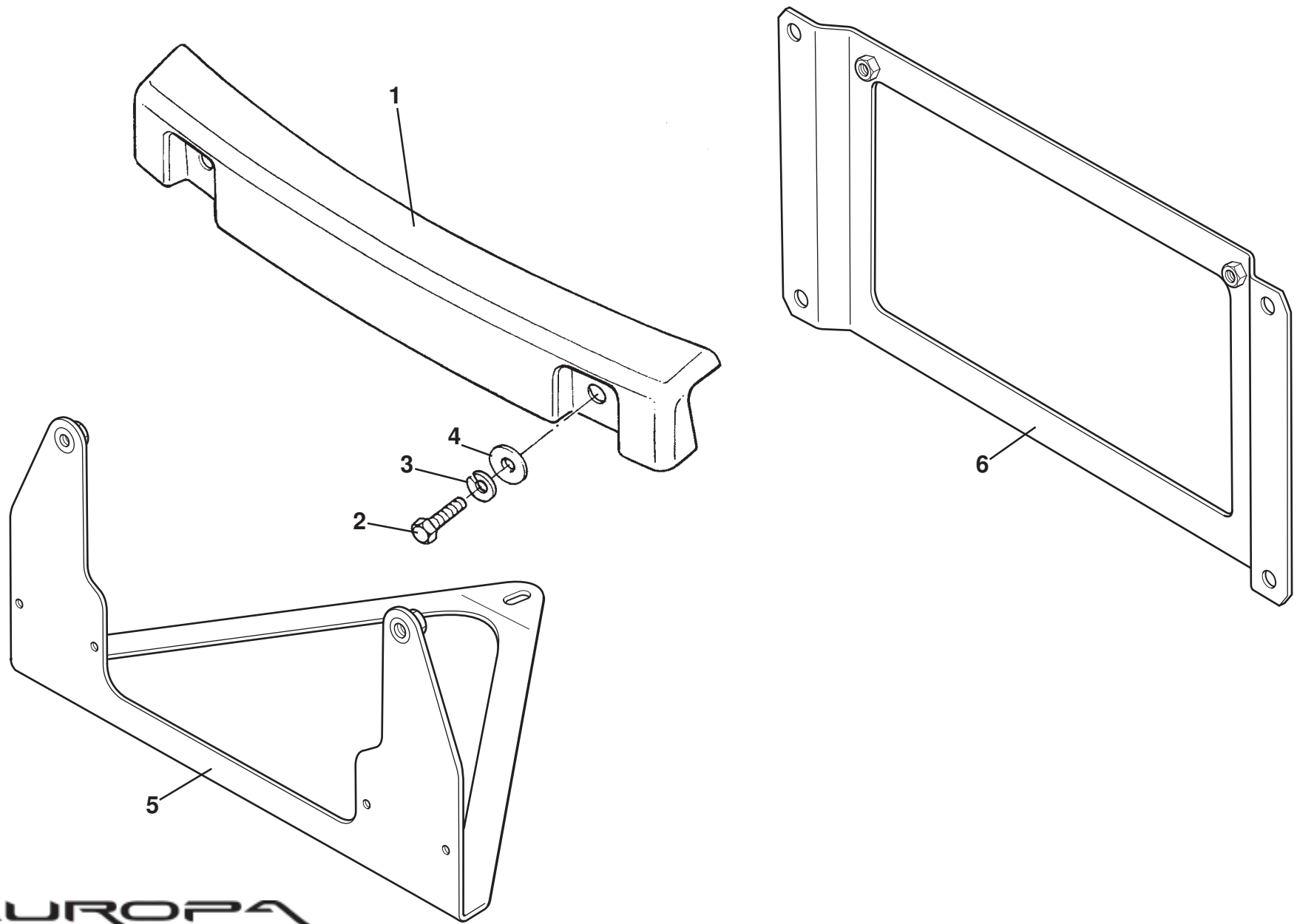
Updated 16th July 2012

---

**Function Code 12.05 Decals, Badges & Protective Film**

<u>Dep</u>	<u>Part Description</u>	<u>Remarks</u>	<u>Option</u>	<u>Part Number</u>	<u>Qty</u>
10a	Decal, europa 'SE', silver, rear clamshell		Europa SE	A124B0345F	1
11	Decal, driver footrest, black textured		RHD	A124U0151F	1

---



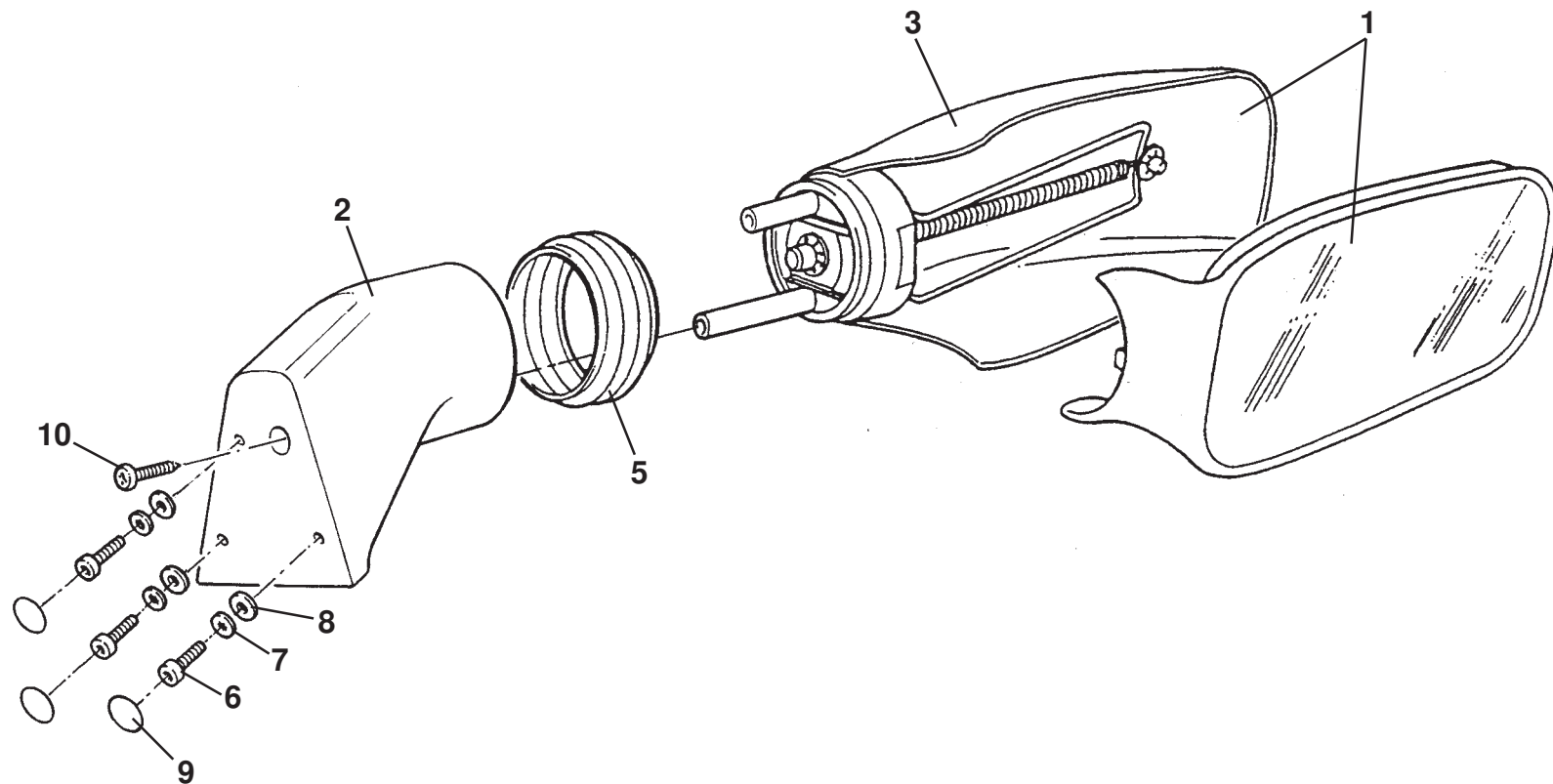
**EUROPA**  
**12.07**

---

**Function Code 12.07 Licence Plate Mountings**

<u>Dep</u>	<u>Part Description</u>	<u>Remarks</u>	<u>Option</u>	<u>Part Number</u>	<u>Qty</u>
01	Front License Plate Plinth, front			<b>A124B0321F</b>	1
02	Screw, M6 x 20, hex. hd., plinth to bumper			<b>A075W1030Z</b>	2
03	Washer, spring, M6, plinth to bumper			<b>A075W4035Z</b>	2
04	Washer, flat, M6 x 25 x 1.4, plinth to bumper			<b>B075W4017Z</b>	2
05	Mounting Plate, license plate front, Japan		Japan only	<b>A124B0330F</b>	1
06	Mounting Plate, license plate rear, Japan		Japan only	<b>A124B0331F</b>	1
07	Kit, license plate fixings, Japan	Not illus., for mounts and plates	Japan only	<b>A124B0335J</b>	1



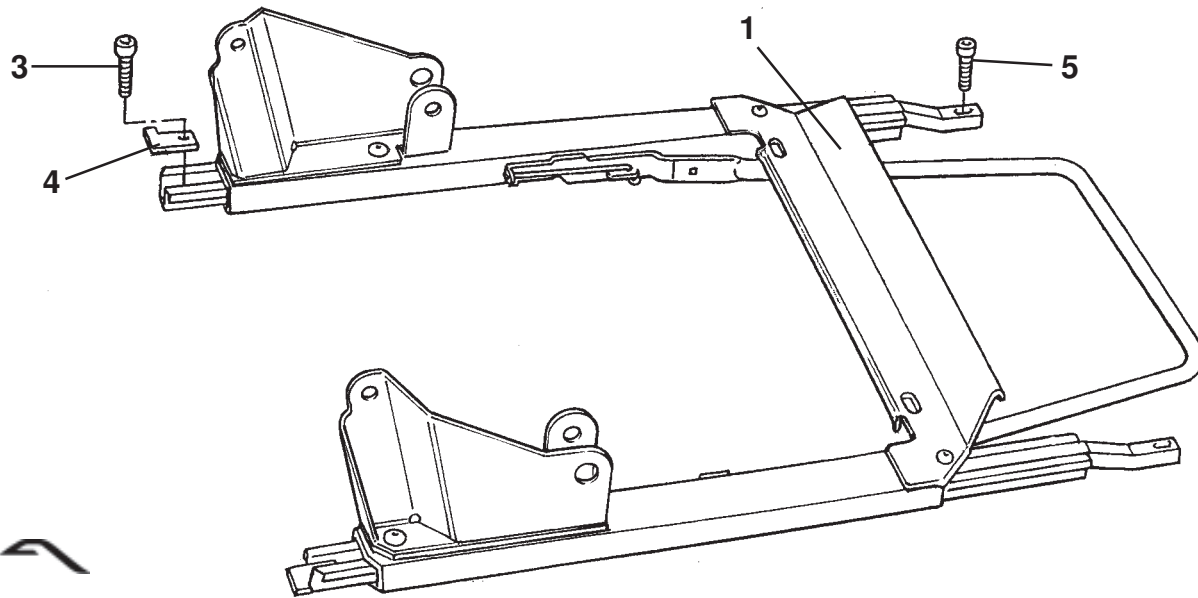
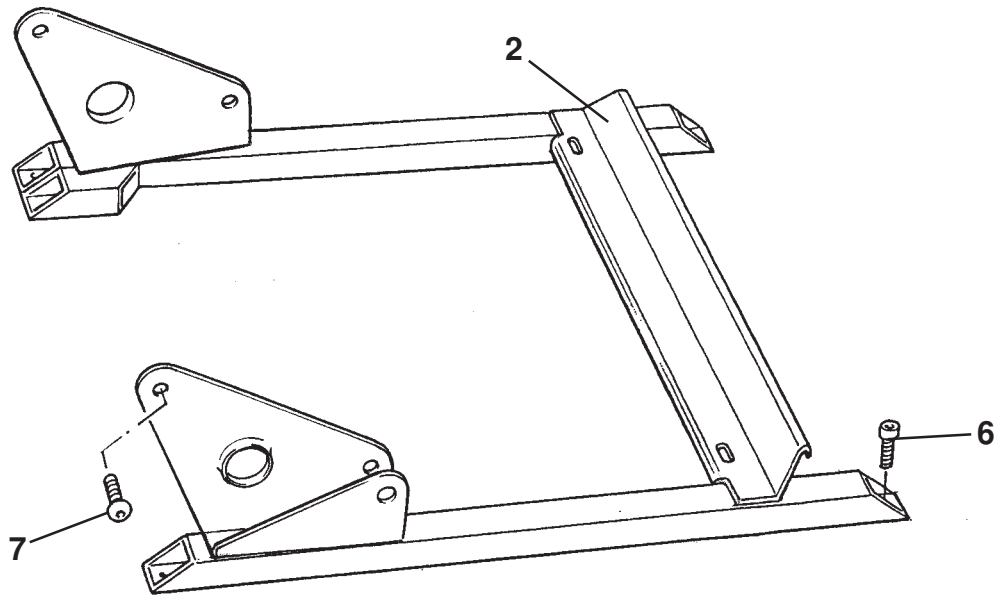


EUROPA

12.09

**Function Code 12.09 Exterior Driving Mirrors**

<u>Dep</u>	<u>Part Description</u>	<u>Remarks</u>	<u>Option</u>	<u>Part Number</u>	<u>Qty</u>
01	Mirror Assembly	Not painted	Common RH & LH	A111U0335J	2
02	Plinth, mirror mounting, RH		Primed	C116U0032F	1
03	Plinth, mirror mounting, LH		Primed	C116U0033F	1
03	Mirror Housing	Not painted	Common RH & LH	B111U0117K	2
04	Glass, convex		Common RH & LH	A111U6046F	2
05	Bellows, mirror to plinth			A111U6032F	2
06	Screw, M5 x 20, cap hd., plinth to door		Rearward fixings	A111W7126F	2
06a	Screw, M5 x 16, cap hd.		Forward fixings	A117W7216F	4
07	Washer, internal shakeproof, M5, plinth to door			A075W4045Z	6
08	Washer, flat, M5, plinth to door			A075W4011Z	6
09	Blanking Tape, hole covering			A111V0206K	6
10	Screw, Ejot, torx hd., plinth to mirror			A117F6001F	2

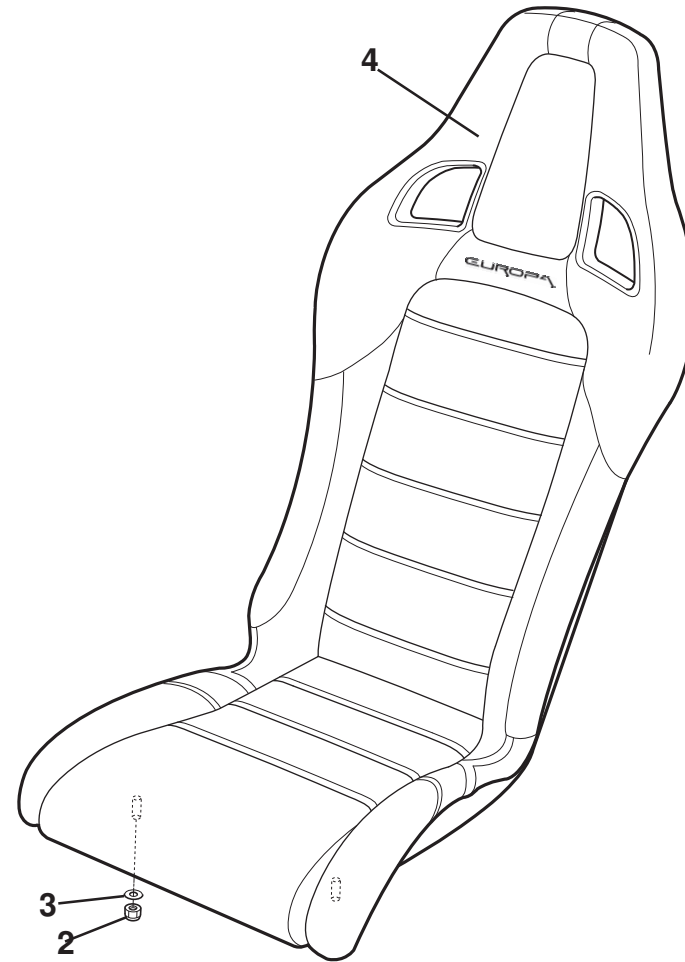
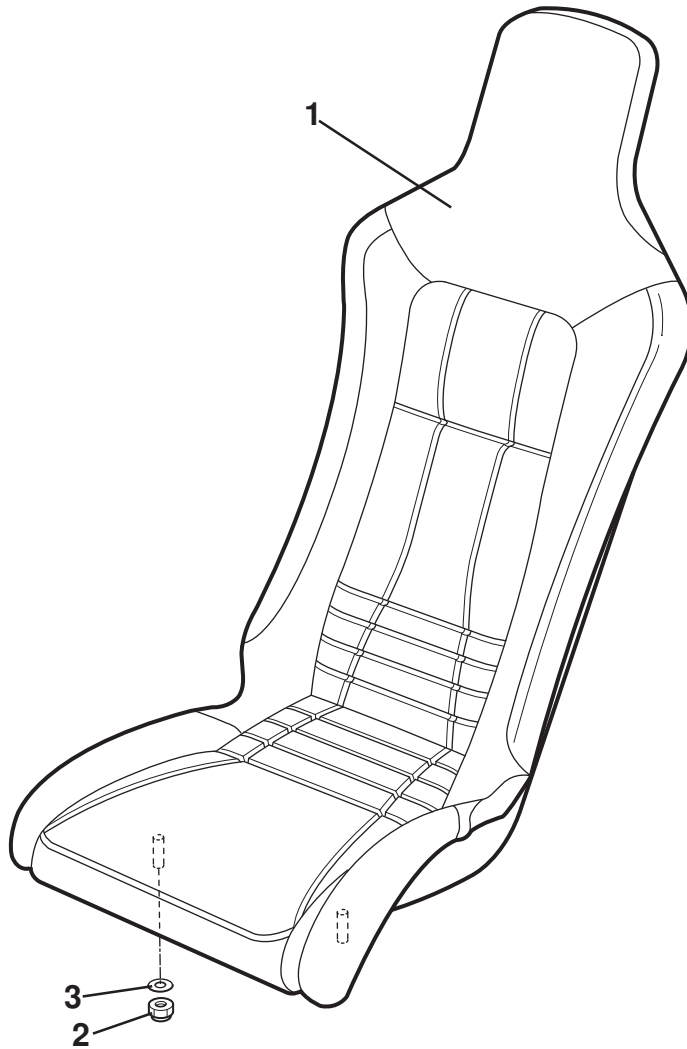


**EUROPA**  
13.01

---

**Function Code 13.01 Seat Runners**

<u>Dep</u>	<u>Part Description</u>	<u>Remarks</u>	<u>Option</u>	<u>Part Number</u>	<u>Qty</u>
01	Seat Runner, driver, RHD			C120B0135F	1
01a	Seat Runner, driver, LHD			C120B0136F	1
02	Seat Mounting Frame, passenger, RHD			D120U0006F	1
02a	Seat Mounting Frame, passenger, LHD			D120U0005F	1
03	Screw, M8 x 20, cap hd., runner rear fix.			A111W7130F	2
04	Stop, seat runner			A116U0146L	2
05	Screw, M8 x 25, cap hd., runner front fix.			A111W7115F	2
06	Screw, M8 x 16, cap hd., mounting frame fix.			A111W7125F	4
07	Screw, M8 x 12, button hd., side brackets to seat			A111W7131F	4

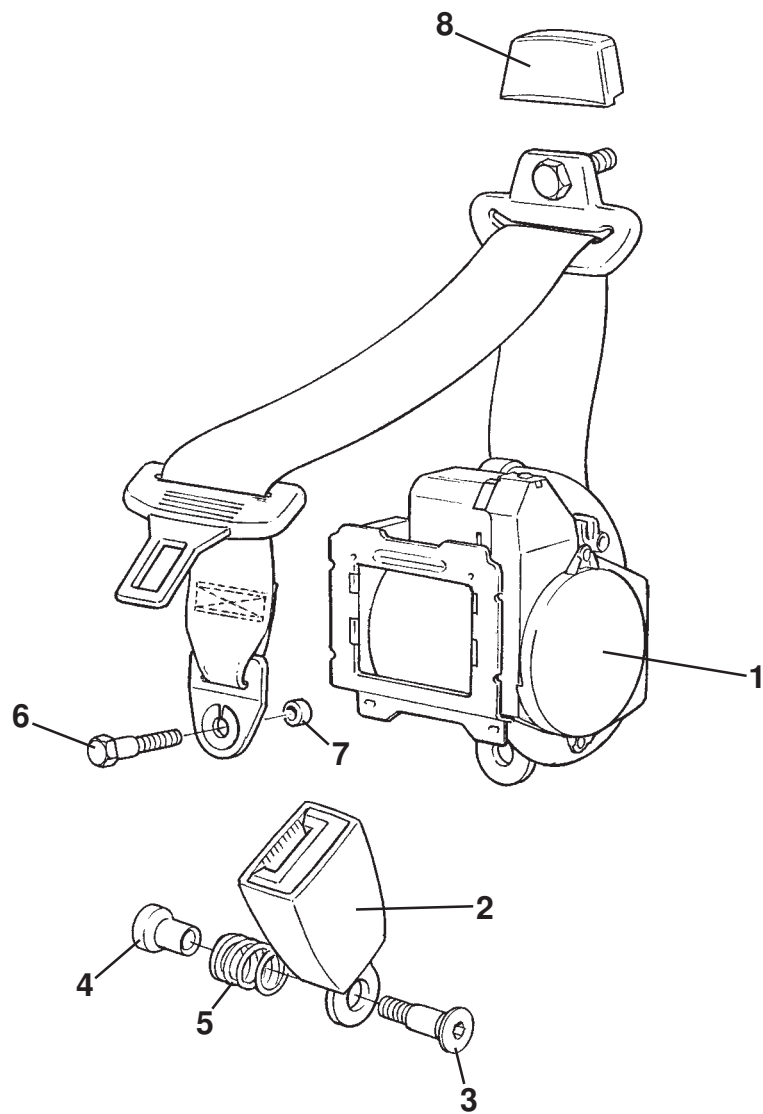


**EUROPA**  
**13.02**

---

**Function Code 13.02 Seat Assemblies, front**

<u>Dep</u>	<u>Part Description</u>	<u>Remarks</u>	<u>Option</u>	<u>Part Number</u>	<u>Qty</u>
01	Seat Assembly, probax, common		Black leather	A120V0287S	2
01a	Seat Assembly, probax, common		Tan leather	A120V0277S	2
02	Nyloc Nut, M8, seat to runner/frame			A075W3010Z	4
03	Washer flat, M8 x 17 x 1.6, seat to runner/frame			A075W4020Z	4
04	Seat Assembly. Sports, lux tan/chocolate leather, LH		Lux Tourer	A124V0093S	1
04a	Seat Assembly. Sports, lux tan/chocolate leather, RH		Lux Tourer	A124V0094S	1
04b	Seat Assembly. Sports, tan leather, LH			A124V0097S	1
04c	Seat Assembly. Sports, tan leather, RH			A124V0096S	1
05	Bezel, seat belt aperture, front, silver, RH		Sports seat	A124U4016K	2
05a	Bezel, seat belt aperture, rear, RH		Sports seat	A122U0050K	2
06	Bezel, seat belt aperture, front, silver, LH		Sports seat	A124U4015K	2
06a	Bezel, seat belt aperture, rear, LH		Sports seat	A122U0045K	2



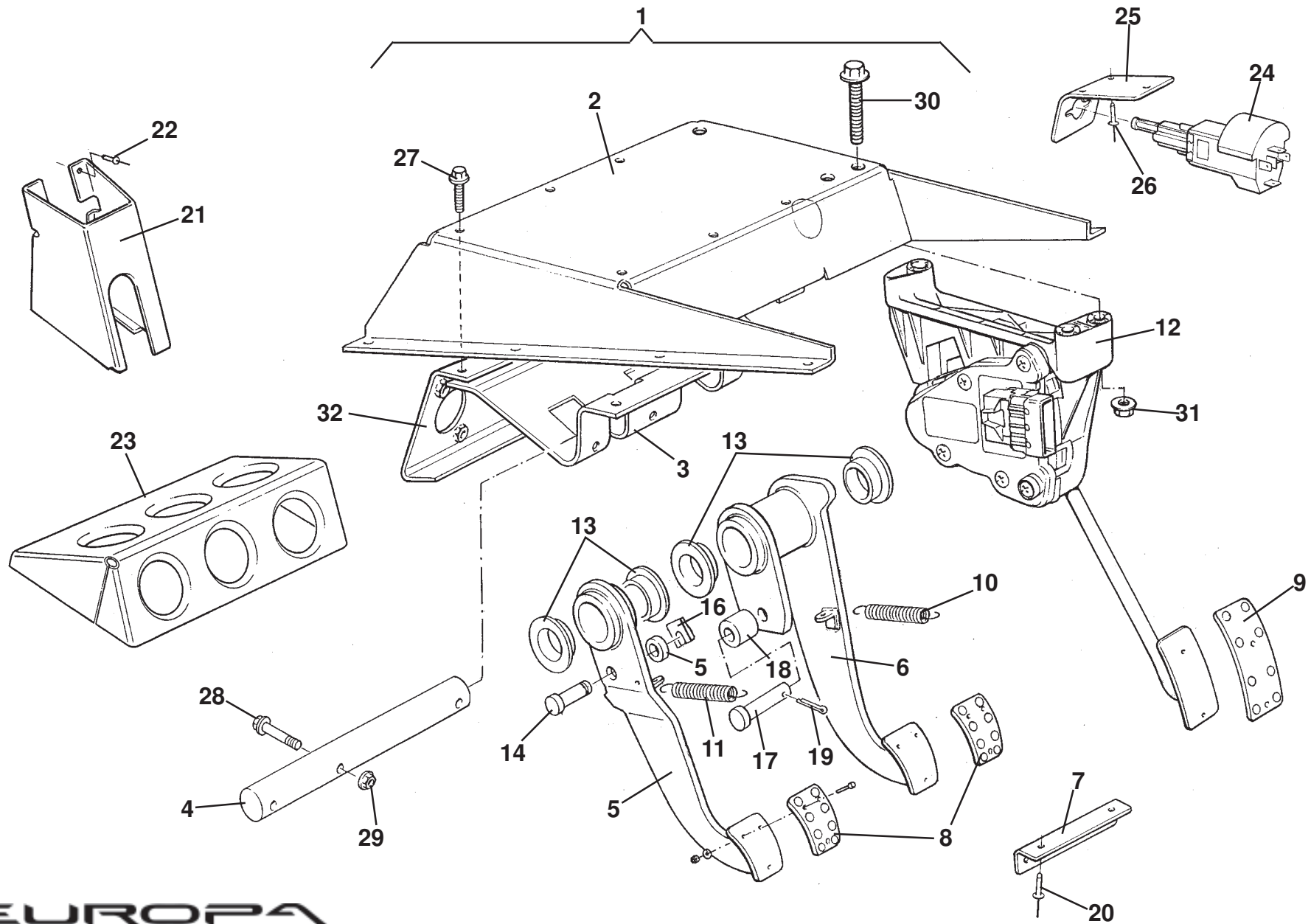
**EUROPA**  
13.27

---

**Function Code 13.27 Seat Belts, front**

<u>Dep</u>	<u>Part Description</u>	<u>Remarks</u>	<u>Option</u>	<u>Part Number</u>	<u>Qty</u>
01	Seat Belt Assembly, retractor			A124V0052F	2
02	Buckle, seat belt			A124V0053F	2
03	Bolt, 7/16" UNF, csk., skt., hd., seat belt buckle			B121W2209F	2
04	Spacer, stepped, seat belt buckle			A121B0045F	2
05	Spring, seat belt buckle			A111U6016F	2
06	Bolt, shoulder, 7/16", seat belt fixing			B121W2210F	2
07	Spacer, 19.0 dia. x 12.5mm, seat belt fixing			A121W6782F	2
08	Cover, upper anchorage			A124U6000S	2





**EUROPA**  
14.01

*Updated 24th January 2013*

# Service Parts List

# EUROPA



## Function Code 14.01 Pedal Box, Pedals, Throttle Control

<u>Dep</u>	<u>Part Description</u>	<u>Remarks</u>	<u>Option</u>	<u>Part Number</u>	<u>Qty</u>
01	Pedal Box Assembly, RHD			B116J0069F	1
01a	Pedal Box Assembly, LHD			B116J0065F	1
02	Pedal Box			A116J0066H	1
03	Pedal Shaft Support			A116J0042H	1
04	Shaft, pedal pivot			A116J0043H	1
05	Clutch Pedal			A116Q0010H	1
06	Brake Pedal			A116J0039H	1
07	Bracket, return springs to chassis			D116Q0014F	1
08	Pedal Pad, aluminium, brake & clutch			A116J0040H	2
09	Pedal Pad, aluminium, throttle			A116J0005H	1
10	Spring, brake pedal return			A120J6006F	1
11	Spring, clutch pedal return		A116Q6003H R/B	A120J6006F	1
12	Electronic Throttle Assembly			A116J0003L	1
13	Bearing, pedal pivots			A111J6018F	5
14	Clevis Pin, clutch pedal to pushrod			A116Q6005H	1
15	Spacer, pin to clutch pedal			A116Q6004H	1
16	Clip, clevis pin retention			A116Q6006H	1
17	Clevis Pin, brake pedal to pushrod			A116J6023H	1

EUROPA

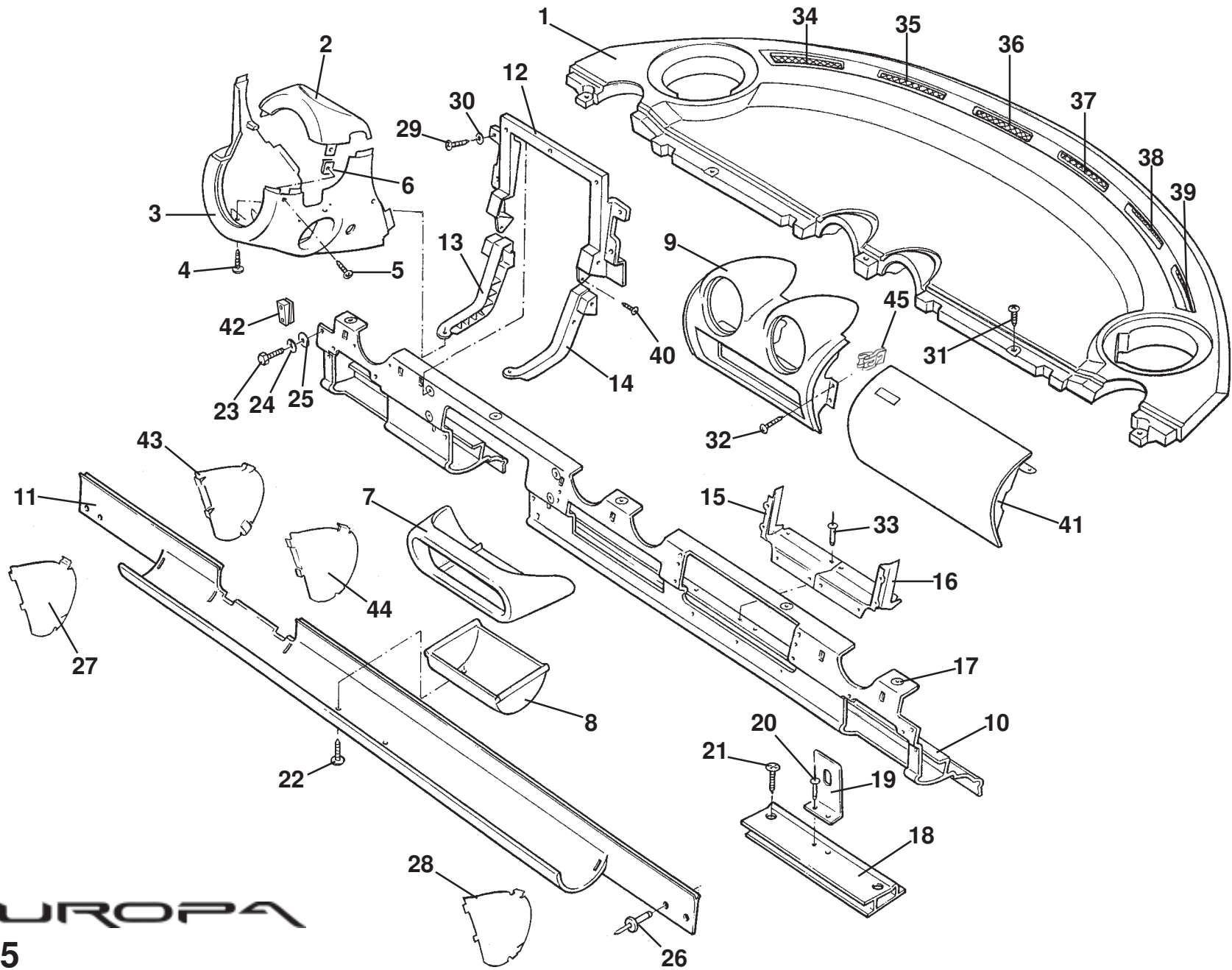
Function Code: 14.01, Page: 1

*Updated 24th January 2013*

---

**Function Code 14.01 Pedal Box, Pedals, Throttle Control**

<u>Dep</u>	<u>Part Description</u>	<u>Remarks</u>	<u>Option</u>	<u>Part Number</u>	<u>Qty</u>
18	Spacer, pin to brake pedal			A116J6022H	1
19	Split Pin, clevis pin retention			A116J6024H	1
20	Pop Rivet, return spring bracket to chassis			A075W6068Z	2
21	Driver Footrest, RHD	For black decal see 12.05		C120U0007F	1
21a	Driver Footrest, LHD	Not illustrated, bonded to chassis		A111A0104F	1
22	Pop Rivet, footrest RHD to chassis			A111W6613F	4
23	Passenger Footrest Assembly, RHD			A120U0008F	1
23a	Passenger Footrest Assembly, LHD			A111A0109F	1
24	Brake Light Switch			A116J6034F	1
25	Bracket, switch to chassis			A116J0072K	1
26	Pop Rivet, return spring bracket to chassis			A075W6068Z	2
27	Screw, M5 x 16, flg. hd.			A132J6025H	5
28	Bolt, M5 x 30 flg. hd.			A120J6017H	3
29	Flange Nut, M5			A130W3007H	3
30	Screw, M8 x 40, flg. hd.			A130W2034H	3
31	Flange Nut, M8			A130W3009H	3
32	Brake TMC Plate			A116J0041H	1



**EUROPA**  
14.05

*Updated 24th January 2013*

# Service Parts List

# EUROPA



## Function Code 14.05 Fascia Structure & Supporting Hardware

<u>Dep</u>	<u>Part Description</u>	<u>Remarks</u>	<u>Option</u>	<u>Part Number</u>	<u>Qty</u>
01	Fascia Top Panel			B124U0124F	1
01a	Fascia Top Panel, lux tan leather		Lux Tourer	A124U0255J	1
01b	Fascia Top Trim Panel, lux tan leather	Not illustrated, P/O item 01a	Lux Tourer	A124V0117S	1
02	Column Cowl, upper			A121U0038F	1
03	Column Cowl, lower			B121U0074F	1
04	Screw, self tap., No. 8 x 3/4", lower cowl to bracket			A075W5074Z	2
05	Screw, self tap., No. 8 x 3/4", lower to upper cowl			A075W5074Z	2
06	Spirenut, No. 8, lower to upper cowl			A075W6016Z	2
07	Panel, heater control mounting, trimmed, black leather			A124U0140J	1
07a	Panel, heater control mounting, trimmed, lux tan leather		Lux Tourer	A124U0270J	1
08	Support, heater control panel mounting			A121U0071F	1
09	Mounting Assembly, centre FLV			C121U0062F	1
09a	Mounting Assembly, centre FLV, lux tan leather		Lux Tourer	A124U0268J	1
10	Dash Panel Upper, LHD			F121U0041F	1
10a	Dash Panel Upper, RHD			F121U0042F	1
11	Dash Panel Lower/Stowage Shelf, LHD			B121U0115F	1
11a	Dash Panel Lower/Stowage Shelf, RHD			B121U0116F	1
12	Bracket, instrument pack mounting			A121U0101F	1

EUROPA

Function Code: 14.05, Page: 1

Updated 24th January 2013

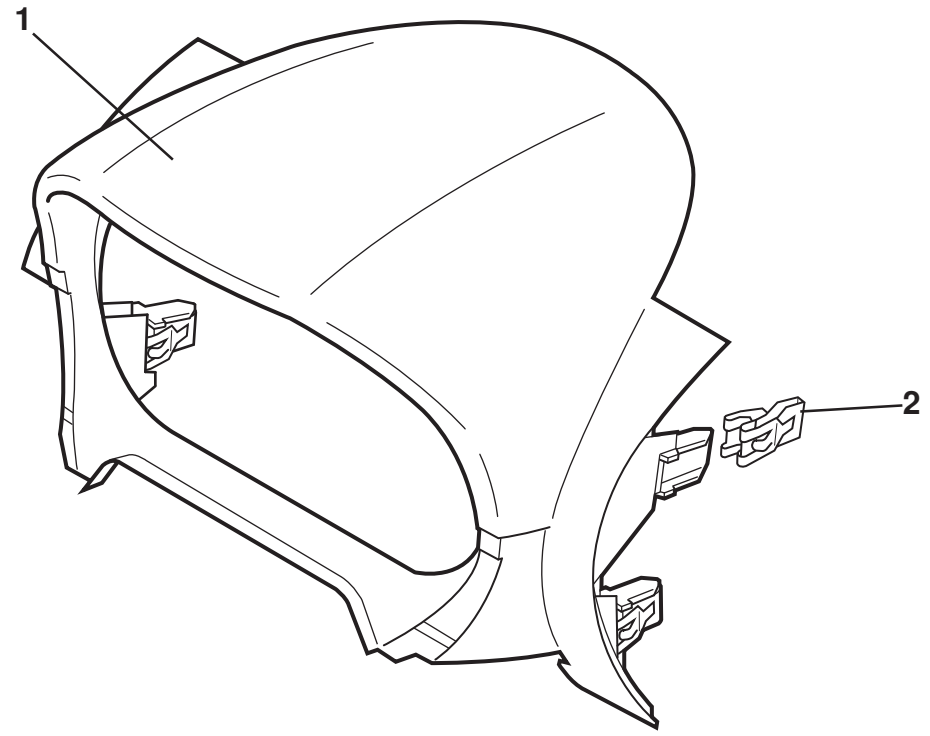
**Function Code 14.05 Fascia Structure & Supporting Hardware**

<u>Dep</u>	<u>Part Description</u>	<u>Remarks</u>	<u>Option</u>	<u>Part Number</u>	<u>Qty</u>
13	Mounting Bracket, column shroud, LH			B121U0087F	1
14	Mounting Bracket, column shroud, RH			A121U0088F	1
15	Chute, PAB aperture, LH			A121U0141K	1
16	Chute, PAB aperture, RH			A121U0142K	1
17	Captive Plastic Nut			A120W3186F	16
18	Radio Support Extrusion			A121U0081F	1
19	Bracket, radio support, rear			B121U0100F	1
20	Pop Rivet, bracket to extrusion			A100W6397F	2
21	Screw, No. 10 x 1/2", extrusion to chassis			A075W5040Z	2
22	Screw, No. 10 x 1/2", support to panel			A075W5040Z	2
23	Screw, M6 x 25, hex. hd., dash panel upper to chassis			A075W1031F	4
24	Washer, spring, M6, dash panel upper to chassis			A075W4035Z	4
25	Washer, flat, M6 x 12.1 x 1.4, dash panel upper to chassis			A075W4013F	4
26	Pop Rivet, dash panel lower to chassis			A082W6259F	4
27	Closing Panel, stowage shelf, LH			A121U0051F	1
28	Closing Panel, stowage shelf, RH			A121U0052F	1
29	Screw, self tap., No. 8 x 3/4", bracket fixing			A075W5074Z	4
30	Washer, M6 x 12.1 x 1.4, bracket fixing			A075W4013F	4
31	Screw, self tap., No. 8 x 3/4", top panel fixing			A075W5074Z	5
32	Screw, self tap., No. 8 x 3/4", mount FLV fixing			A075W5074Z	4
33	Pop Rivet, domed, black, chute to panel			A082W6512F	12

---

**Function Code 14.05 Fascia Structure & Supporting Hardware**

<u>Dep</u>	<u>Part Description</u>	<u>Remarks</u>	<u>Option</u>	<u>Part Number</u>	<u>Qty</u>
34	Grille, demist, LH outer			A124U0129H	1
35	Grille, demist, LH inner			A124U0131H	1
36	Grille, demist, LH centre			A121U0129H	1
37	Grille, demist, RH centre			A121U0130H	1
38	Grille, demist, RH inner			A124U0132H	1
39	Grille, demist, RH outer			A124U0130H	1
40	Screw, self tap., No. 8 x 3/4", shroud brackets fixing			A075W5074Z	2
41	Cover Assembly, passenger airbag	Also see 17.06b		D121U0019F	1
42	Insert, dash panel to body, LH			A121U0103F	1
42a	Insert, dash panel to body, RH			A121U0104F	1
43	Closing Panel, column shroud, LH			A121U0107F	1
44	Closing Panel, column shroud, RH			A121U0108F	1
45	Clip, FLV centre panel retention			A121U0156S	1



**EUROPA**

**14.10**

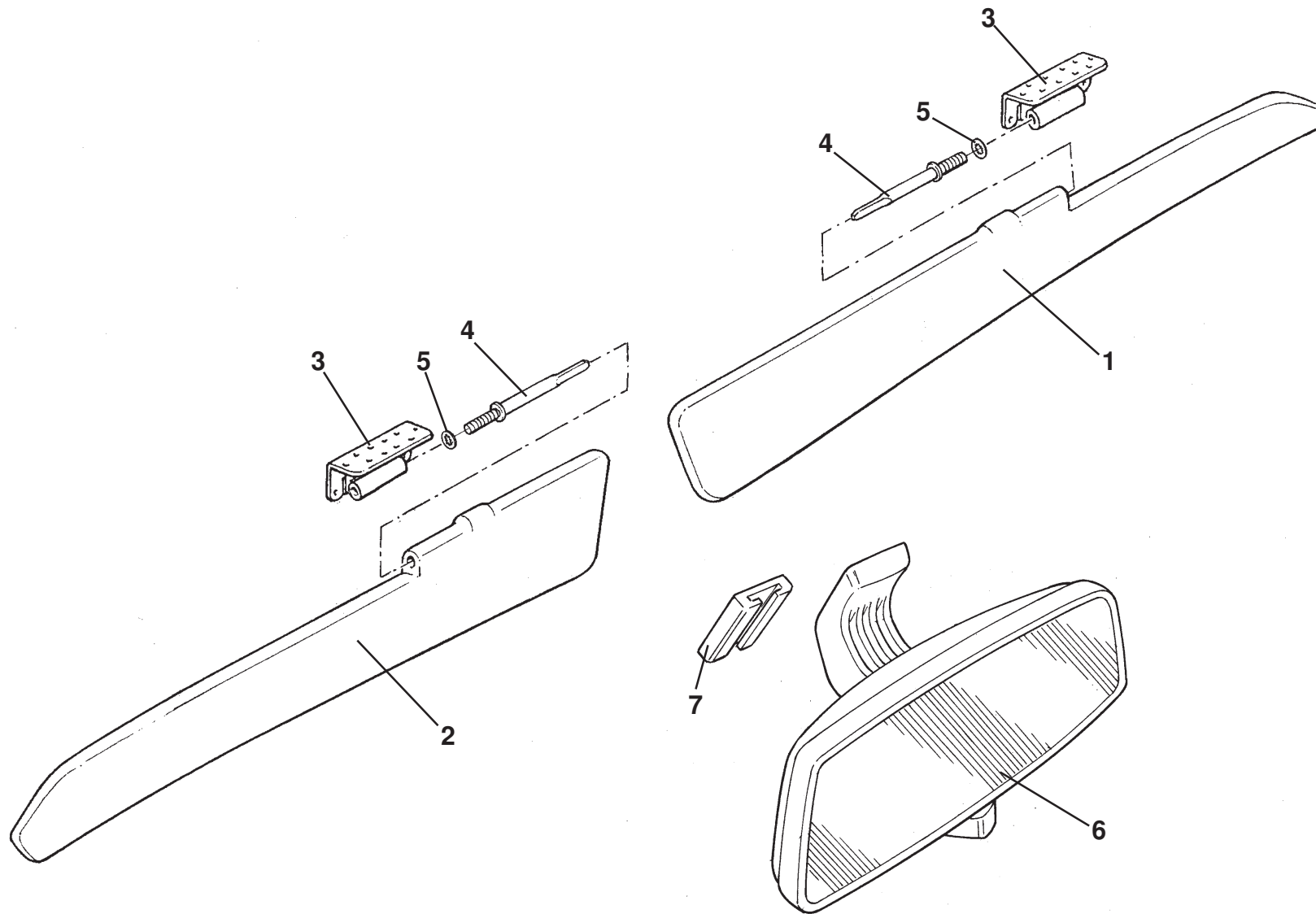


---

**Function Code 14.10 Instrument Cowling**

<u>Dep</u>	<u>Part Description</u>	<u>Remarks</u>	<u>Option</u>	<u>Part Number</u>	<u>Qty</u>
01	Instrument Cowling			C121U0030F	1
01a	Instrument Cowling, lux tan leather		Lux Tourer	A124U0269J	1
02	Clip, cowling retention	Also for FLV panels (five clips total)		A121U0156S	4

---



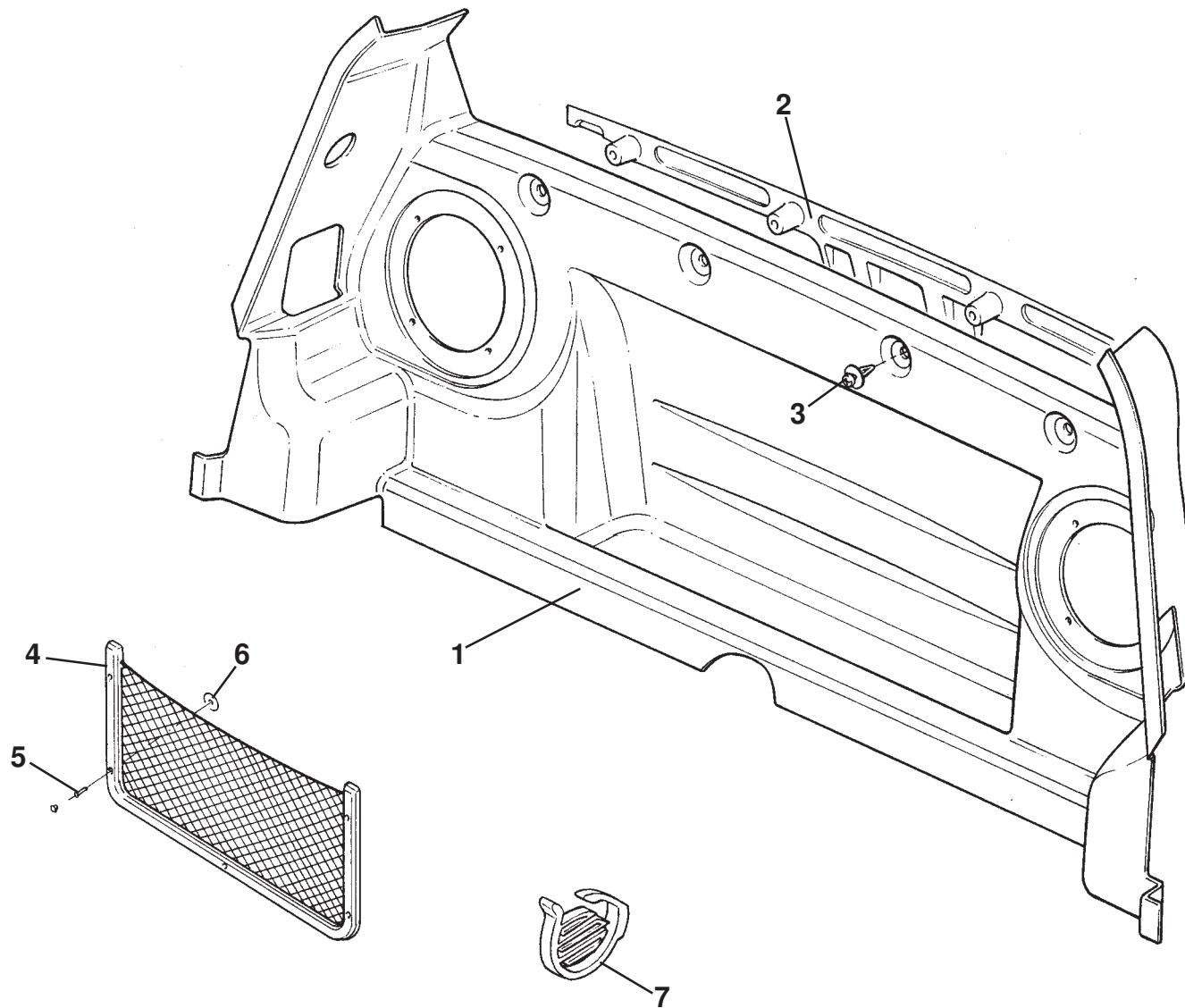
EUROPA

15.05

---

**Function Code 15.05 Interior Driving Mirror & Sunvisors**

<u>Dep</u>	<u>Part Description</u>	<u>Remarks</u>	<u>Option</u>	<u>Part Number</u>	<u>Qty</u>
01	Sun Visor, driver, RHD			A117V0710J	1
01a	Sun Visor, driver, LHD			A117V0711J	1
02	Sun Visor, passenger, RHD			A117V0712J	1
03	Bracket, visor to header rail			B117U0419F	2
04	Pivot Pin, M8, sun visor			A117U0468F	2
05	Washer, M8, shakeproof, pin to bracket			A075W4048Z	2
06	Mirror, interior rear view			A120U6009F	1
07	Mounting Plinth, interior mirror			A120U6010F	1
08	Adhesive Kit, mirror mounting plinth	Not illustrated		A116U0194F	1
09	Betaclean 3900, glass preparation	Not illustrated		A100B6008V	1



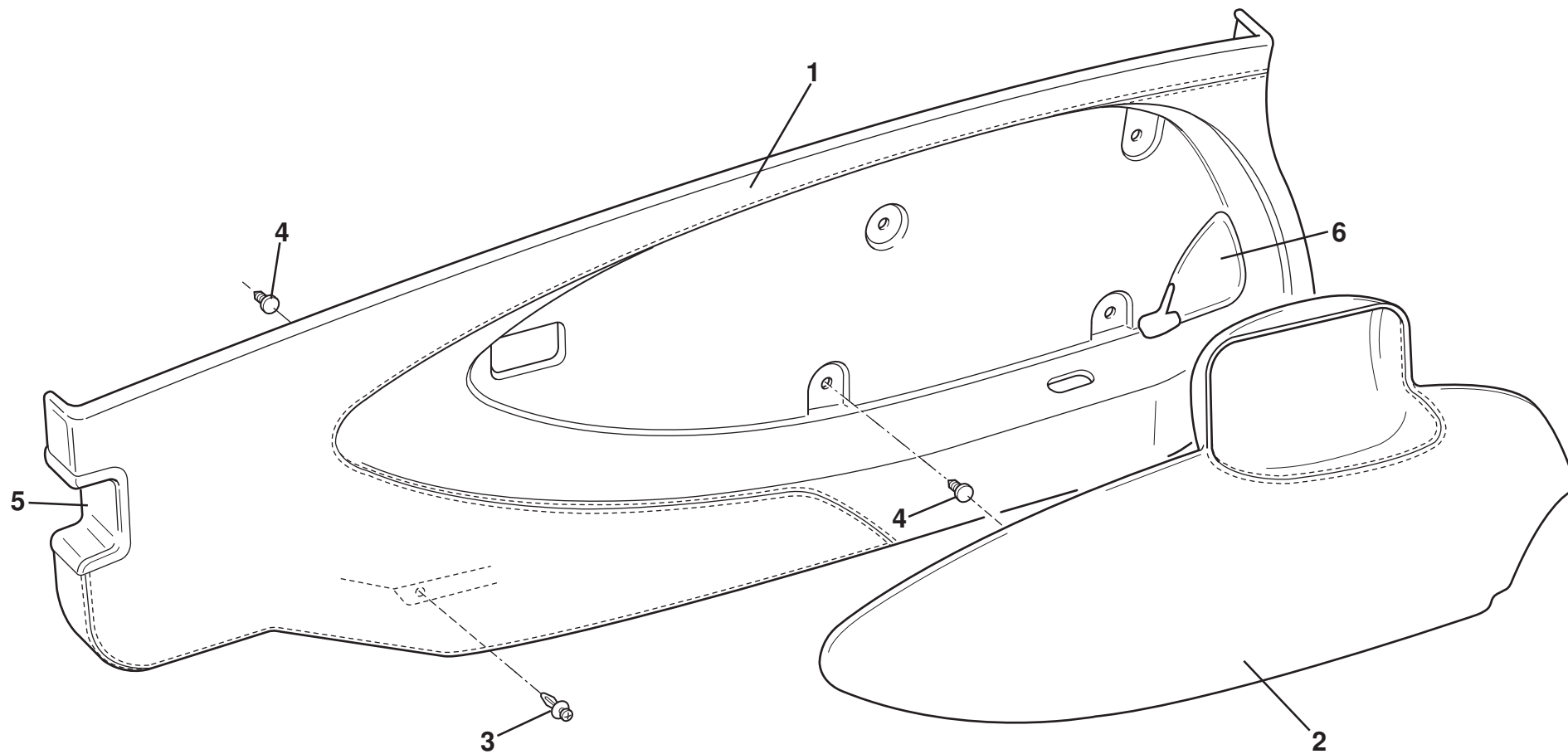
**EUROPA**

**15.11**

---

**Function Code 15.11 Interior Trim & Stowage Provision**

<u>Dep</u>	<u>Part Description</u>	<u>Remarks</u>	<u>Option</u>	<u>Part Number</u>	<u>Qty</u>
01	Rear Bulkhead Trim Panel			C124U0025F	1
01a	Rear Bulkhead Trim Panel, lux tan leather		Lux Tourer	A124U0267J	1
02	Reinforcing Panel, panel rear			A124U0050F	1
03	Plastic Fastener, trim panel fixing			A100W6391F	4
04	Stowage Net Assembly	Includes finisher plugs		A117U6011F	1
05	Pop Rivet, net to panel			A082W6512F	5
06	Washer, flat, 1/8" x 0.75", net to panel			A075W4001Z	5
07	Divider, stowage tray			A120U0060F	1



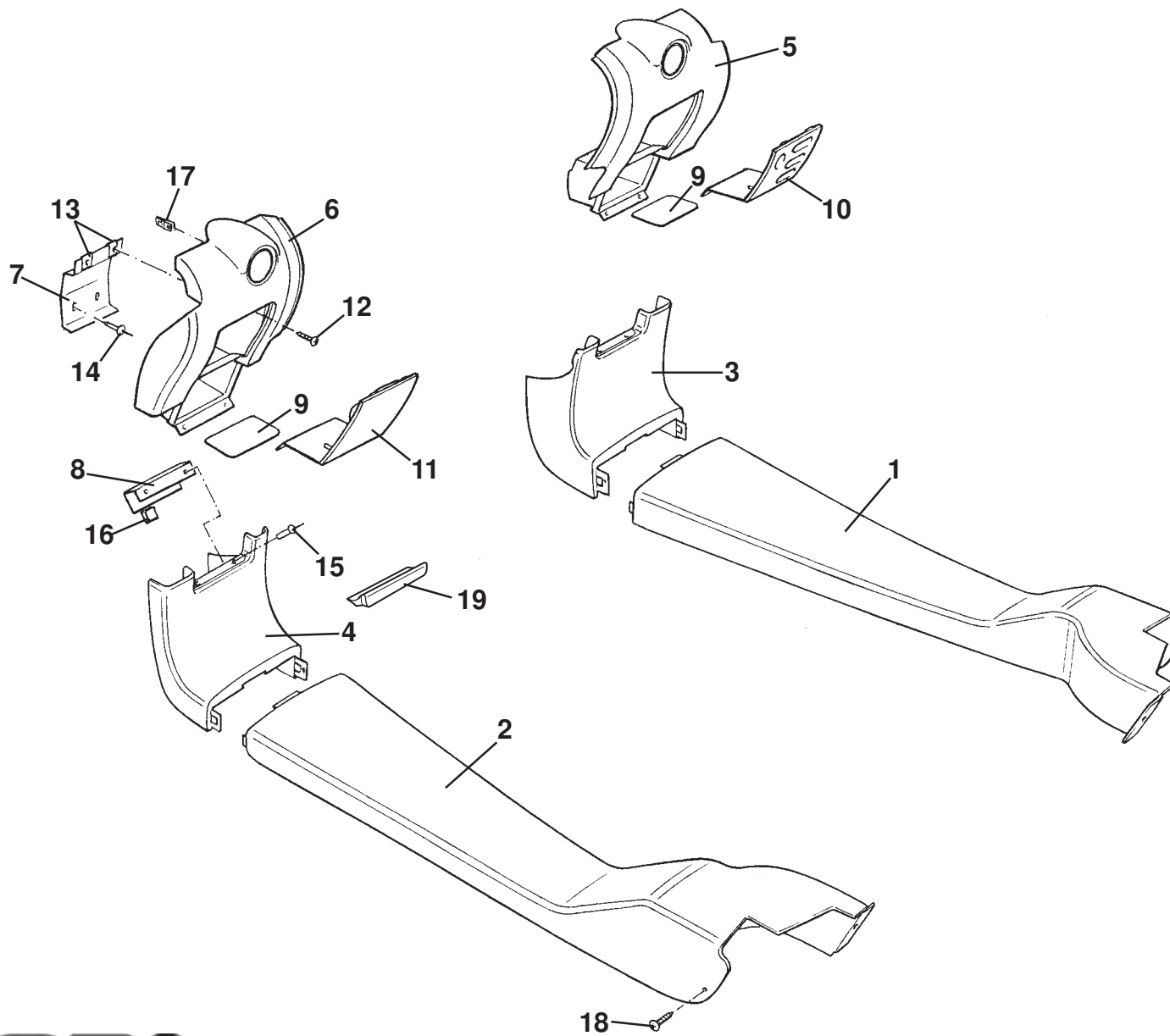
**EUROPA**

**15.13**

---

**Function Code 15.13 Front Door Trims**

<u>Dep</u>	<u>Part Description</u>	<u>Remarks</u>	<u>Option</u>	<u>Part Number</u>	<u>Qty</u>
01	Door Trim Panel, LH		Black leather	<b>B124U0117J</b>	1
01a	Door Trim Panel, RH		Black leather	<b>B124U0116J</b>	1
01b	Door Trim Panel, LH		Tan leather	<b>C124U0111J</b>	1
01c	Door Trim Panel, RH		Tan leather	<b>C124U0110J</b>	1
01d	Door Trim Panel LH		Lux Tan leather	<b>A124U4029J</b>	1
01e	Door Trim Panel, RH		Lux Tan leather	<b>A124U4030J</b>	1
02	Insert, door trim, LH		Black leather	<b>A124U0105J</b>	1
02a	Insert, door trim, RH		Black leather	<b>A124U0104J</b>	1
02b	Insert, door trim, LH		Tan leather	<b>A124U0113J</b>	1
02c	Insert, door trim, RH		Tan leather	<b>A124U0112J</b>	1
02d	Insert, door trim, LH		Lux tan leather	<b>A124U4027J</b>	1
02e	Insert, door trim, RH		Lux tan leather	<b>A124U4028J</b>	1
03	Plastic Fastener			<b>A100W6479F</b>	12
04	Fir Tree Fastener, insert & trim fixing			<b>A116U0200F</b>	18
05	Trim, door latch pocket, LH	Bonded to trim panel		<b>A124U0121F</b>	1
05a	Trim, door latch pocket, RH	Bonded to trim panel		<b>A124U0120F</b>	1
06	Trim, release handle pocket, LH	Bonded to trim panel		<b>A124U0119F</b>	1
06a	Trim, release handle pocket, RH	Bonded to trim panel		<b>A124U0118F</b>	1



**EUROPA**

**15.18**



# Service Parts List

# EUROPA



## Function Code 15.18 Interior Trim, Chassis Trim Panels

<u>Dep</u>	<u>Part Description</u>	<u>Remarks</u>	<u>Option</u>	<u>Part Number</u>	<u>Qty</u>
01	Sill Trim Panel, lower, RH			B124U0002F	1
01a	Sill Trim Panel, lower, RH		Senosoft	A124U4024K	1
01b	Sill Trim Panel, lower, lux tan leather, RH		Lux Tourer	A124U4018K	1
02	Sill Trim Panel, lower, LH		Untrimmed	B124U0001F	1
02a	Sill Trim Panel, lower, LH		Senosoft	A124U4023K	1
02b	Sill Trim Panel, lower, lux tan leather, LH		Lux Tourer	A124U4017K	1
03	Sill Trim Panel, intermediate, RH			B124U0026F	1
03a	Sill Trim Panel, intermediate, RH		Senosoft	A124U4022K	1
03b	Sill Trim Panel, intermediate, lux tan leather, RH		Lux Tourer	A124U4020K	1
04	Sill Trim Panel, intermediate, LH			B124U0027F	1
04a	Sill Trim Panel, intermediate, LH		Senosoft	A124U4021K	1
04b	Sill Trim Panel, intermediate, lux tan leather, LH		Lux Tourer	A124U4019K	1
05	'A' Post Trim Panel, RH			C121U0016F	1
05a	'A' Post Trim Panel, sonosoft finish, RH		'08 MY on	A121U4004F	1
05b	'A' Post Trim Panel, lux tan leather, RH		Lux Tourer	A124U4034J	1
06	'A' Post Trim Panel, LH			C121U0015F	1
06a	'A' Post Trim Panel, sonosoft finish, RH		'08 MY on	A121U4003F	1
06b	'A' Post Trim Panel, lux tan leather, RH		Lux Tourer	A124U4033J	1

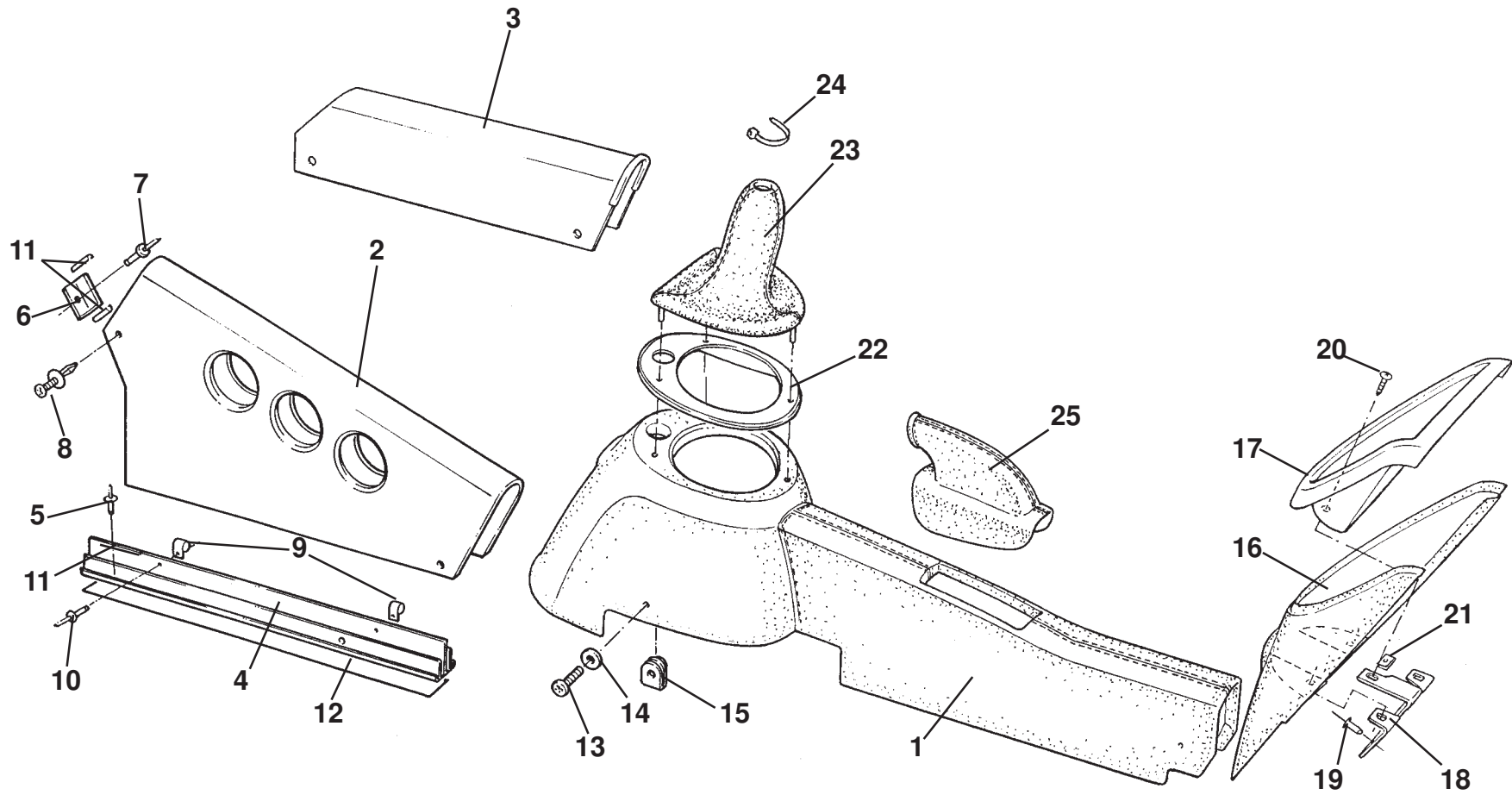
EUROPA

Function Code: 15.18, Page: 1

Updated 22nd December 2010

**Function Code 15.18 Interior Trim, Chassis Trim Panels**

<u>Dep</u>	<u>Part Description</u>	<u>Remarks</u>	<u>Option</u>	<u>Part Number</u>	<u>Qty</u>
07	Bracket, sill upper			B124U0039F	2
08	Bracket, sill lower			A124U0040F	2
09	Mat, 'A' post pocket			C124U0045F	2
10	Switch Panel, 3 switch			A121U0091F	1
10a	Switch Panel, 3 switch, senosoft		'08 MY on	A121U0178F	1
11	Cover, 'A' post trim panel aperture			C121U0035F	1
11a	Cover, 'A' post trim panel aperture, senosoft		'08 MY on	A121U0177F	1
12	Screw, self tap. No. 8 x 3/4", panels & cover fixing			A075W5074Z	8
13	Spirenut, No.8, trim fix			A075W6016Z	8
14	Pop Rivet, bracket to chassis			A111W6613F	2
15	Plastic Rivet, panel to bracket			A124W6801F	4
16	Edge Clip, panel to bracket			A111W6568F	4
17	Clip, trim panel to dash panel upper	Also see 14.05, 14.10		A121U0156S	2
18	Screw, No.6 x 0.5", self tapping, flg. hd., trim to chassis			A089W5138F	2
19	Finisher, 'A" post pocket, alloy			A124U0154F	2
20	Double Sided Tape, finisher to panel	Not illustrated		A124B6003V	230mm
21	Blank Starter Button	Not illustrated		A124U0065F	1



**EUROPA**

**15.19**

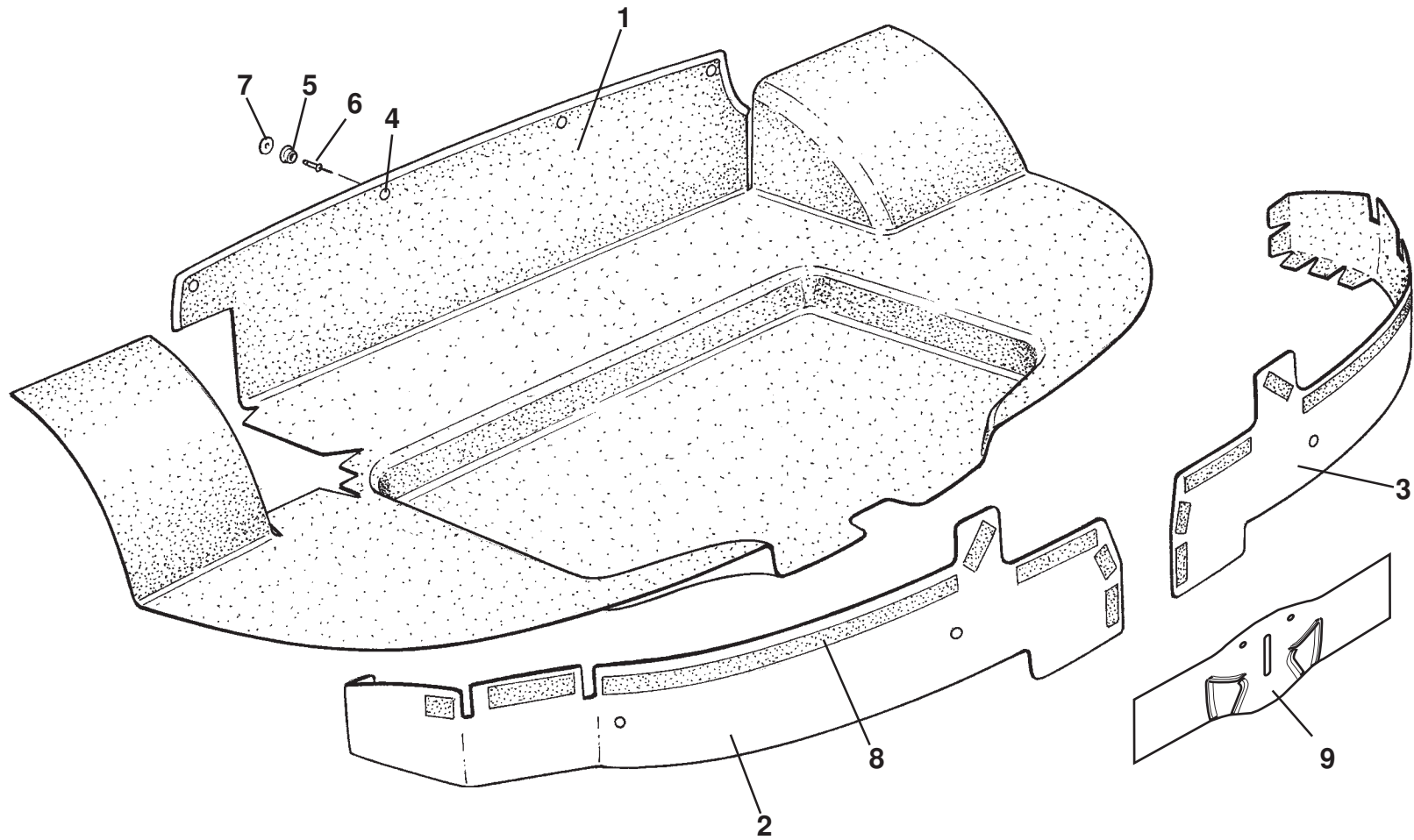
**Function Code 15.19 Centre Tunnel Trim, Gear Lever Gaiters/Shrouds**

<u>Dep</u>	<u>Part Description</u>	<u>Remarks</u>	<u>Option</u>	<u>Part Number</u>	<u>Qty</u>
01	Cover, gear lever/parking brake, RHD		Black leather	A124U0142J	1
01a	Cover, gear lever/parking brake, LHD		Black leather	A124U0143J	1
01b	Cover, gear lever/parking brake, RHD		Lux tan leather, Lux Tourer	A124U0263J	1
01c	Cover, gear lever/parking brake, LHD		Lux tan leather, Lux Tourer	A124U0264J	1
02	Cover, tunnel front, LHD	Alloy, perforated	LHD	A117U0165F	1
03	Cover, tunnel front, parallel, RHD	Alloy	RHD	A116A0147F	1
04	Mounting Bracket, front tunnel to floor			C111A0067F	1
05	Blind Rivet, tunnel mount fix.			A111W6613F	4
06	Mounting Bracket, front tunnel to toeboard			B111A0069F	1
08	Plastic Fastener, tunnel fix.			A082W6505F	5
09	'P' Clip, harness retention			A082W5457F	2
10	Pop Rivet, 'P' clip fix.			A075W6087Z	2
11	Edging Strip, harness protection			B075U6054V	0.16M
12	Tape, double sided, tunnel mount to floor			B075U6070V	0.55M
13	Screw, pan hd., torx, cover fix.			A117F6001F	2
14	Washer, flat, M4 x 9, cover fix.			A082W4099F	2
15	Spire Nut, plastic, cover fix.			A117F6000F	2
16	Console, rear lower, trimmed		Black leather	A124U0139J	1
17	Console/Stowage Pocket, black, rear upper			A120U0014F	1
18	Bracket, console rear to chassis			B120U0028F	3
19	Pop Rivet, bracket to chassis			A111W6613F	3

---

**Function Code 15.19 Centre Tunnel Trim, Gear Lever Gaiters/Shrouds**

<u>Dep</u>	<u>Part Description</u>	<u>Remarks</u>	<u>Option</u>	<u>Part Number</u>	<u>Qty</u>
20	Screw, No. 6 x 3/8", flg. pozi., console to bracket			A075W5019Z	3
21	Spirenut, No. 6, console to bracket			A075W6014Z	3
22	Bezel, gear lever cover			B124U0127F	1
23	Gaiter, gear lever			B124U0085J	1
23a	Gaiter, gear lever, lux tan leather		Lux Tourer	C124U0085J	1
24	Cable Tie, gaiter to lift tube			A075W6038Z	1
25	Gaiter, parking brake			A120V0172J	1
25a	Gaiter, parking brake, lux tan leather		Lux Tourer	A124V0076J	1



**EUROPA**

**15.24**

*Updated 24th January 2013*

# Service Parts List

# EUROPA



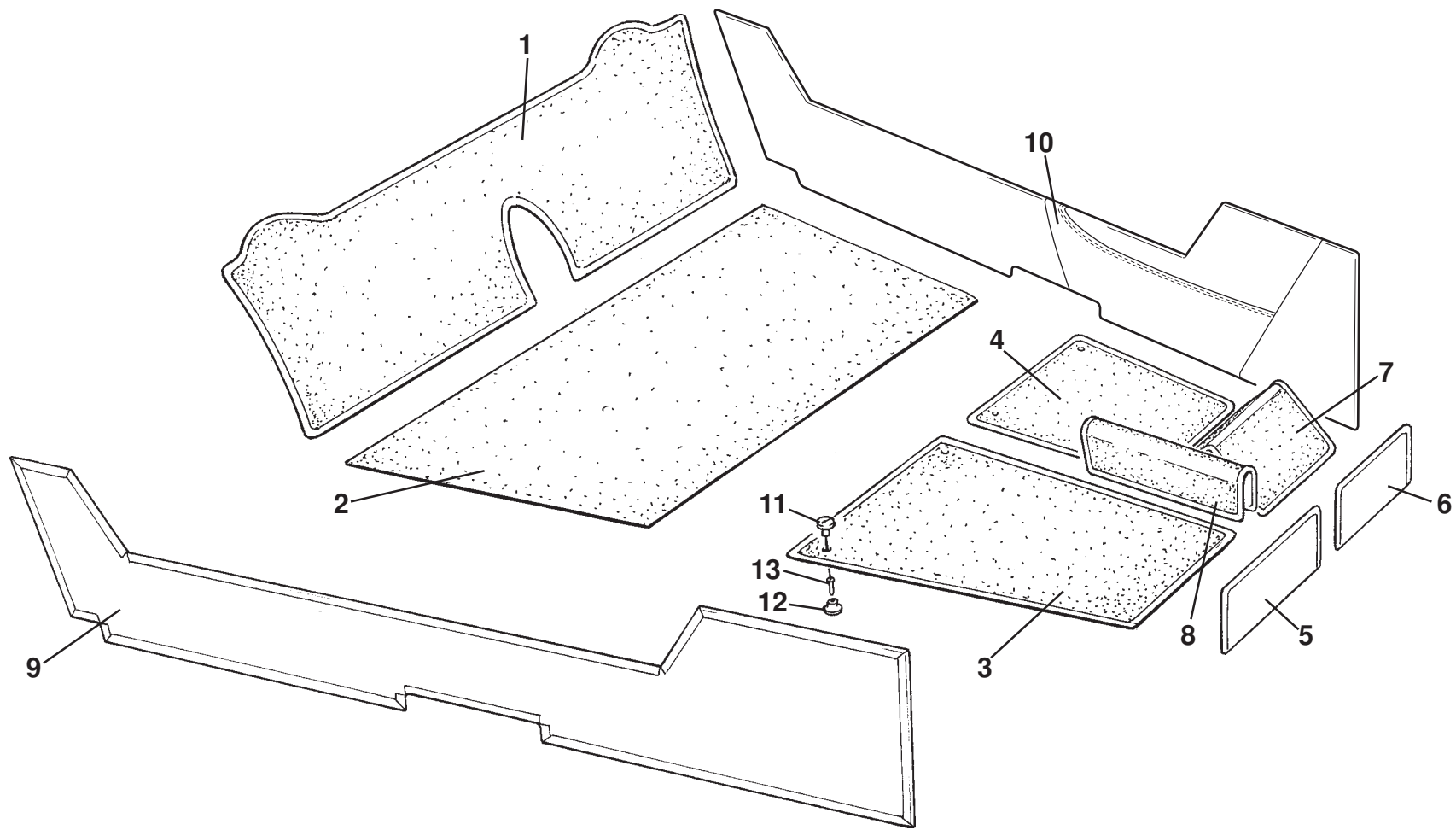
## Function Code 15.24 Luggage Compartment Carpet

<u>Dep</u>	<u>Part Description</u>	<u>Remarks</u>	<u>Option</u>	<u>Part Number</u>	<u>Qty</u>
01	Carpet Assembly, front bulkhead/floor			C124B0270F	1
02	Carpet Assembly, boot rear, lower, LH			A124B0269F	1
03	Carpet Assembly, boot rear, lower, RH			A124B0268F	1
04	Press Fastener Button, bulkhead/floor carpet fix.	Part of item 1		A111B6074F	4
04a	Press Fastener Socket, bulkhead carpet fix.	Part of item 1		A111B6075F	4
05	Press Fastener Stud, carpet to bulkhead/floor			A111B6076F	4
06	Pop Rivet, fastener fix.			A075W6070Z	4
07	Washer, flat, 1/8 x 3/8"			A075W4001Z	4
08	Grip Loc, self adhesive loop, carpet fix.			A111V6019V	As req.
09	Carpet Assembly, latch cover			A124V0070K	1

EUROPA

Function Code: 15.24, Page: 1

*Updated 24th January 2013*



EUROPA

15.30



# Service Parts List

# EUROPA



## Function Code 15.30 Carpeting & Mats

<u>Dep</u>	<u>Part Description</u>	<u>Remarks</u>	<u>Option</u>	<u>Part Number</u>	<u>Qty</u>
01	Carpet, rear bulkhead, black			C120V0042K	1
02	Carpet, floor underseat, black			B117V0095K	1
03	Carpet, footwell, driver, black	Without fixing holes		A120V0058K	1
03a	Carpet, footwell, driver, black, embroidered, RHD			A124V4006S	1
03b	Carpet, footwell, driver, black, LHD	Without fixing holes		A120V0060K	1
03c	Carpet, footwell, driver, black, embroidered, LHD			A124V4005S	1
04	Carpet, footwell, passenger, black, RHD	Without fixing holes		A120V0059K	1
04a	Carpet, footwell, passenger, black, embroidered, RHD			A124V4008S	1
04b	Carpet, footwell, passenger, black, LHD	Without fixing holes		A120V0061K	1
04c	Carpet, footwell, passenger, black, embroidered, LHD			A124V4007S	1
05	Carpet, toeboard, driver, black, RHD			A124V0030K	1
05a	Carpet, toeboard, driver, black, LHD			A124V0034K	1
06	Carpet, toeboard, passenger, RHD			A124V0029K	1
06a	Carpet, toeboard, passenger, LHD			A124V0033K	1
07	Carpet, footrest, passenger, black, RHD			A124V0031K	1
07a	Carpet, footrest, passenger, black, LHD			A124V0035K	1
08	Carpet, tunnel front, RHD			A124V0032K	1
08a	Carpet, tunnel front, LHD			A124V0036K	1

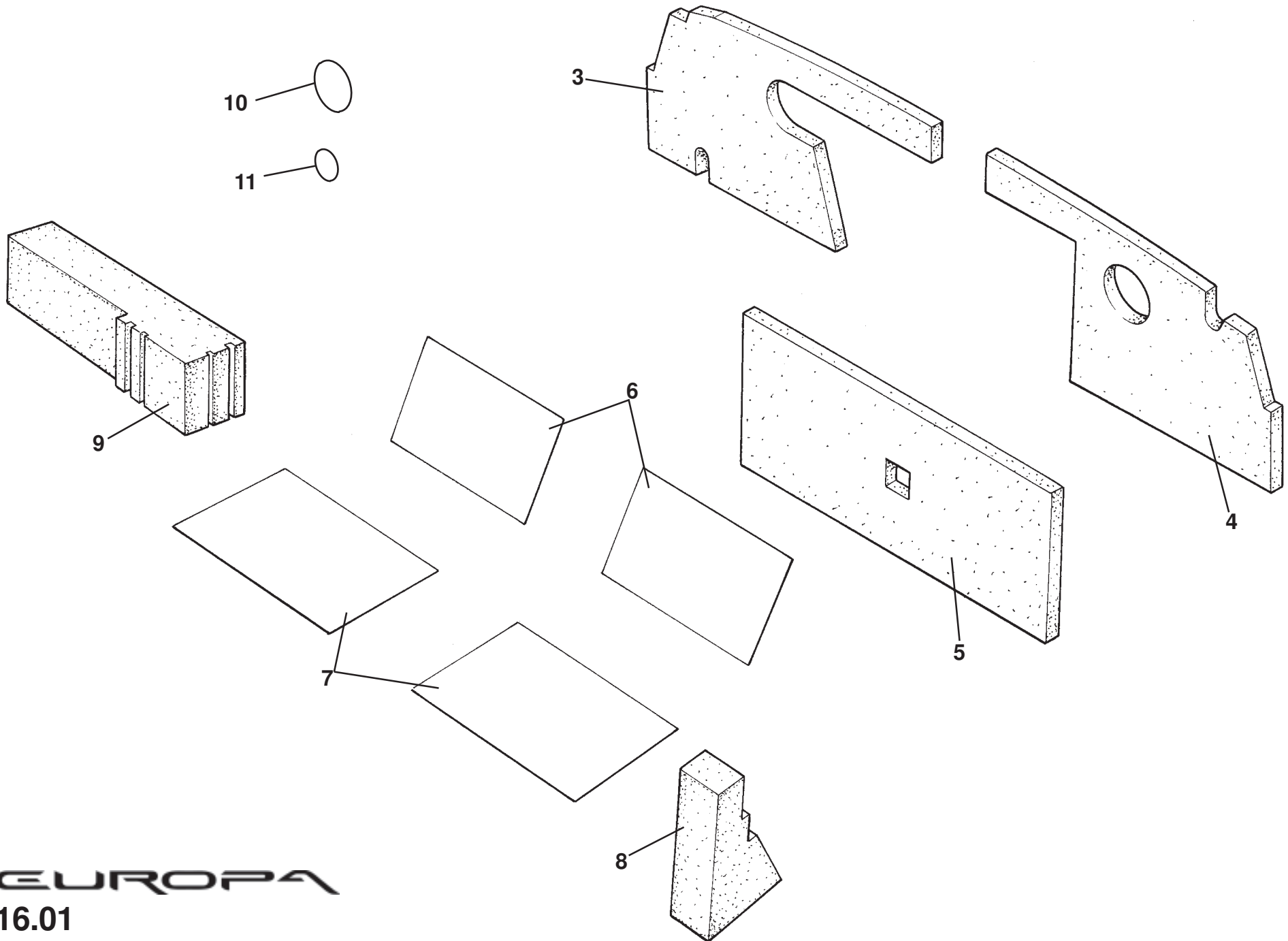
EUROPA

Function Code: 15.30, Page: 1

*Updated 6th November 2010*

**Function Code 15.30 Carpeting & Mats**

<u>Dep</u>	<u>Part Description</u>	<u>Remarks</u>	<u>Option</u>	<u>Part Number</u>	<u>Qty</u>
09	Trim Assembly, chassis side rail, RH, common		Black leather, common	<b>A124V0038J</b>	1
09a	Trim Assembly, chassis side rail, RH, common		Black/tan leather, common	<b>A124V0046J</b>	1
09b	Trim Assembly, chassis side rail, RH, LHD		Lux tan leather, Lux Tourer	<b>A124V4002J</b>	1
09c	Trim Assembly, chassis side rail, RH, RHD		Lux tan leather, Lux Tourer	<b>A124V4004J</b>	1
10	Trim Assembly, chassis side rail, LH, RHD		Black leather, RHD	<b>A124V0037J</b>	1
10a	Trim Assembly, chassis side rail, LH, LHD		Black leather, LHD	<b>A124V0039J</b>	1
10b	Trim Assembly, chassis side rail, LH, RHD		Black/tan leather, RHD	<b>A124V0043J</b>	1
10c	Trim Assembly, chassis side rail, LH, LHD		Black/tan leather, LHD	<b>A124V0047J</b>	1
10d	Trim Assembly, chassis side rail, LH, RHD		Lux tan leather, Lux Tourer	<b>A124V4003J</b>	1
10e	Trim Assembly, chassis side rail, LH, LHD		Lux tan leather, Lux Tourer	<b>A124V4001J</b>	1
11	Carpet Fixing, black, male, footwell carpet			<b>A124V0054F</b>	4
12	Carpet Fixing, black, female, footwell carpet			<b>A124V0055F</b>	4
13	Pop Rivet, fixing to floor			<b>A111W6574F</b>	4
14	Carpet, crossmember, black	Not illustrated	Europa SE	<b>A124V0116K</b>	1



**EUROPA**  
**16.01**

*Updated 16th July 2012*

# Service Parts List

# EUROPA



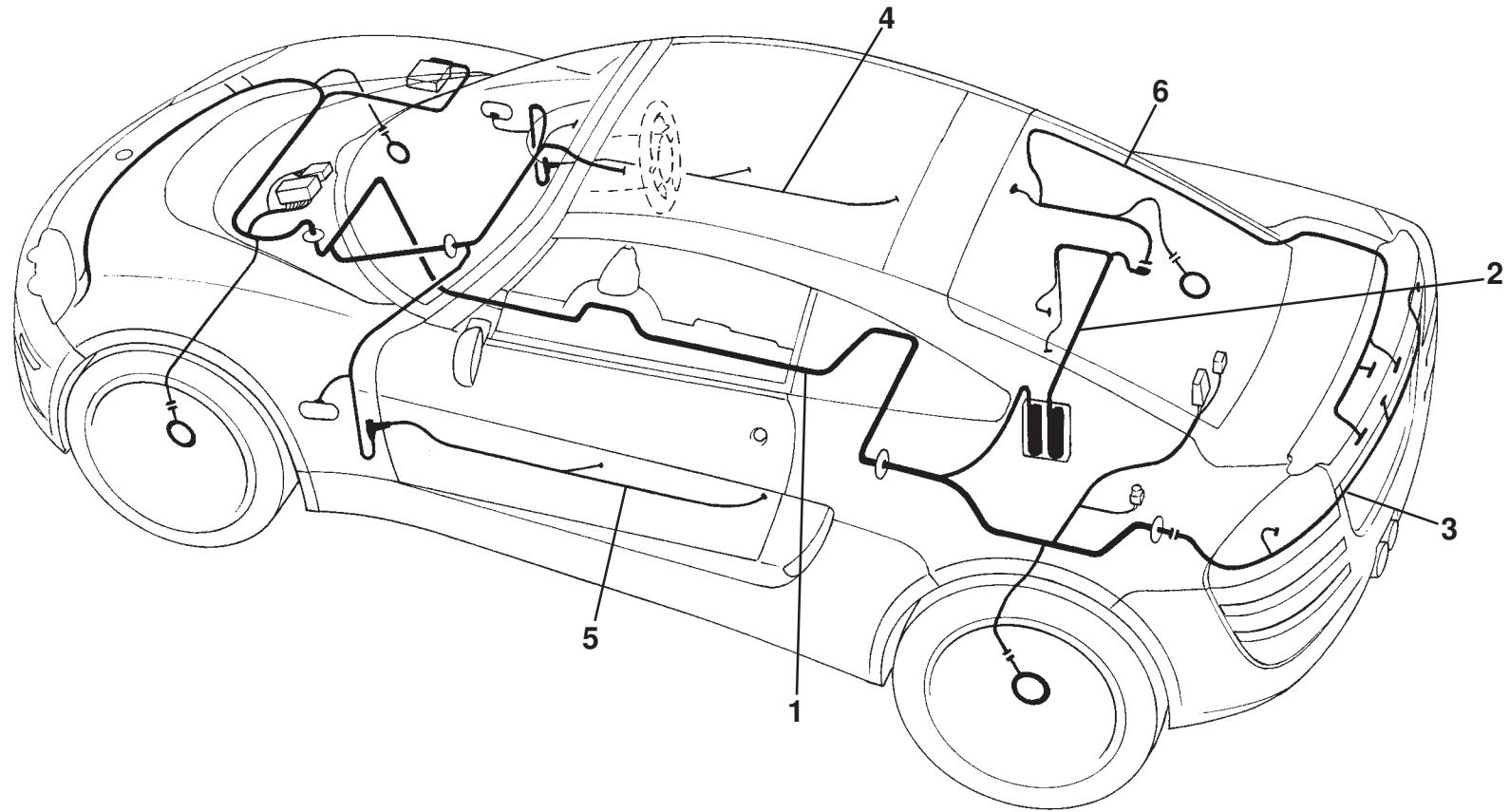
## Function Code 16.01 Passenger Compartment Sound Insulation

<u>Dep</u>	<u>Part Description</u>	<u>Remarks</u>	<u>Option</u>	<u>Part Number</u>	<u>Qty</u>
01	NVH Foam, bodyside front, RH			A124B0280F	1
02	NVH Foam, bodyside front, LH			A124B0281F	1
03	NVH Foam, rear bulkhead trim, RH			A124U0090F	1
04	NVH Foam, rear bulkhead trim, LH			A124U0091F	1
05	NVH Foam, rear bulkhead, centre			A124U0092F	1
06	NVH Mat, tank bay front			A116V0120F	2
07	Sheet Damping, seats			A116V0309F	2
08	NVH Foam 'A' pillar lower			A117V0531F	2
09	NVH Foam, fascia panel			A116V0351F	2
10	Blanking Patch, scuttle beam holes, 38mm dia,	+ unused chassis holes		A116A0184F	12
11	Blanking Patch, scuttle beam holes, 20mm dia.	+ unused chassis holes		A111V0206F	17

EUROPA

Function Code: 16.01, Page: 1

*Updated 24th January 2013*



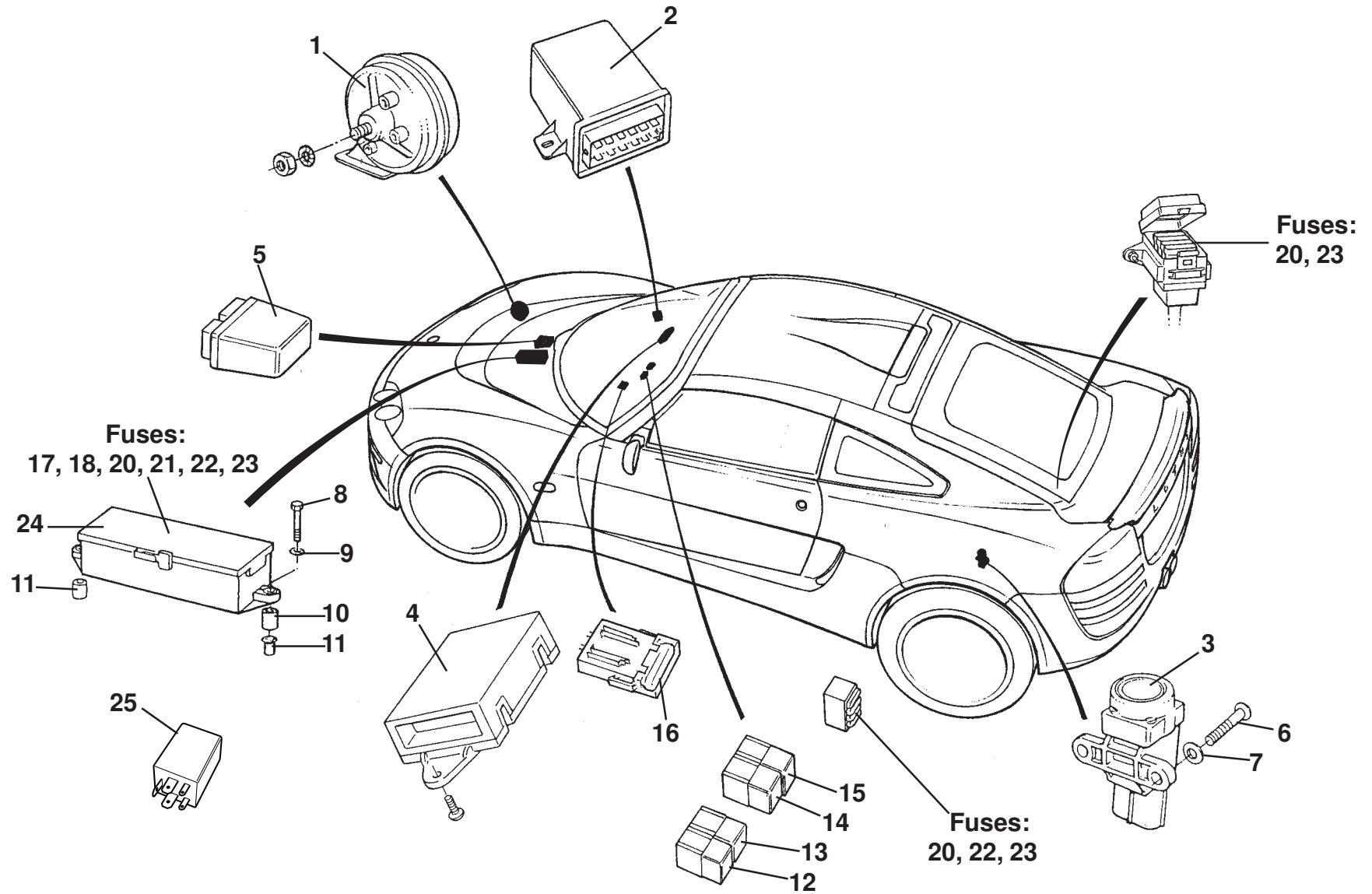
**EUROPA**

**17.01**

---

**Function Code 17.01 Harnesses, Leads**

<u>Dep</u>	<u>Part Description</u>	<u>Remarks</u>	<u>Option</u>	<u>Part Number</u>	<u>Qty</u>
01	Harness, main			C124M0001F	1
01a	Harness, main, starter button		Lux Tourer	B124M0061F	1
02	Harness, engine			A124M6000S	1
02a	Harness, engine additional			A124M6001S	1
02b	Harness, fuel injection			A124M6002S	1
03	Harness, rear			A124M0002F	1
04	Harness, door, RH			B124M0004F	1
05	Harness, door.LH			B124M0005F	1
06	Harness, tailgate			A124M0003F	1
07	Harness, alarm switch contact	Not illustrated		A124M0018F	1
08	Bracket, fuel injection harness to thermostat housing	Not illustrated		A124E6071S	1
09	Screw, M6 x 12, torx hd., bracket fixing	Not illustrated		A124E6044S	4
10	Nut, M8, fuel injection harness earth	Not illustrated		A124E6292S	1
11	Washer, spring, M8, fuel injection harness earth	Not illustrated		A124E6293S	1



**EUROPA**

**17.03**

*Updated 24th January 2013*

# Service Parts List

# EUROPA



## Function Code 17.03 Horn, Inertia Switch, Modules, Fuses & Relays

<u>Dep</u>	<u>Part Description</u>	<u>Remarks</u>	<u>Option</u>	<u>Part Number</u>	<u>Qty</u>
01	Horn 'Low ' Note			A100M6031F	1
01a	Horn 'Hi ' Note	Includes bracket		A120B6076F	1
02	Module, central door locking			A116M6048F	1
03	Inertia switch			A082M6598F	1
04	Switch Controller			C117M0008F	1
05	Fan Control Module	On wiper motor cover		A117M0038F	1
5a	Bracket, fan module retention	Not illustrated		A124M0042F	1
06	Screw, M5 x 16, pan hd. pozi., inertia switch fixing			A082W5107F	2
07	Washer, flat, M5 x 10 x 1.0, inertia switch fixing			A075W4011Z	2
08	Screw, M5 x 16, button hd. fuse box fixing			A116W5281F	2
09	Washer flat, 3/16", S/S, fuse box fixing			A075W4009Z	2
10	Spacer, fuse box to wiper motor cover			A111U0368F	2
11	Rawlnut, M5, fuse box to wiper motor cover			A075W6074F	2
12	Module, wiper delay			A082M6457F	1
13	Module, flasher unit			A083M6303F	1
14	Relay Single Contact Changeover 30A	Inertia switch	CDL	C079M6141F	1
15	Module, rear fog lamp			B111M0067F	1
16	Maxi Fuse, 60A, dark blue, ABS	See Service Notes, section MQ			1

EUROPA

Function Code: 17.03, Page: 1

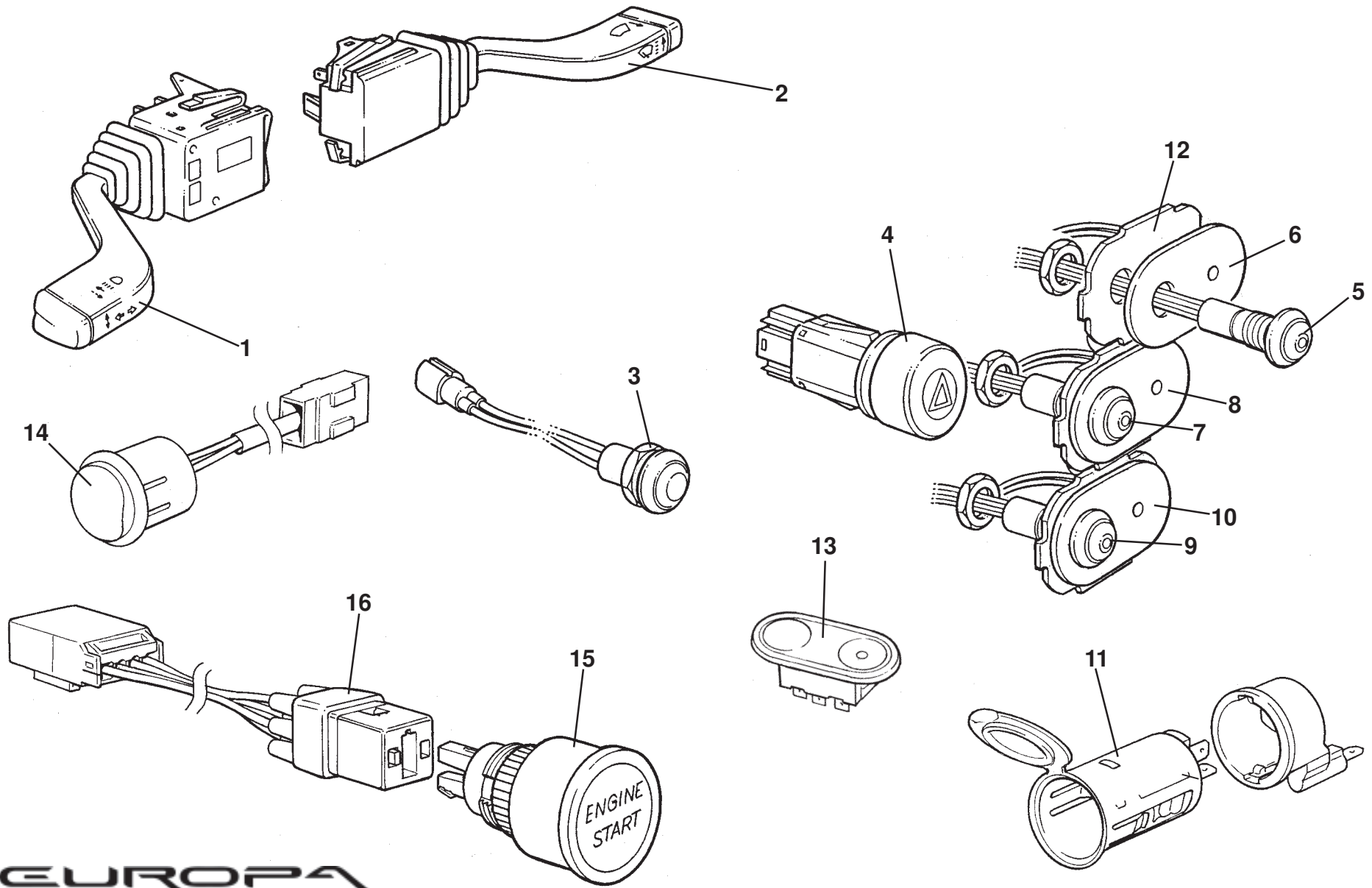
Updated 24th January 2013



---

**Function Code 17.03 Horn, Inertia Switch, Modules, Fuses & Relays**

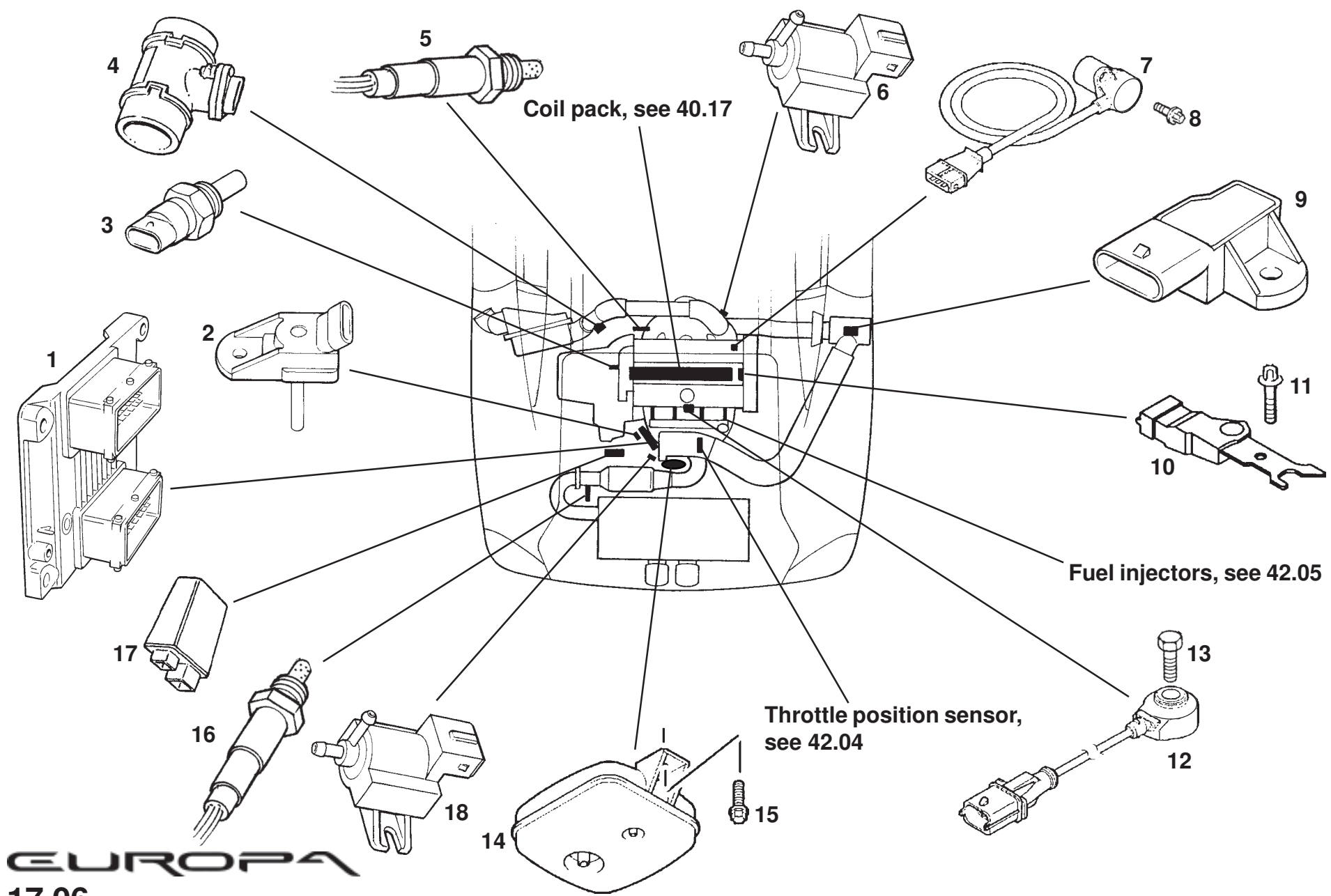
<u>Dep</u>	<u>Part Description</u>	<u>Remarks</u>	<u>Option</u>	<u>Part Number</u>	<u>Qty</u>
17	Fuse, 2A, black	See Service Notes, section MQ		<b>A082M6316F</b>	1
18	Fuse, 3A, violet	See Service Notes, section MQ		<b>A082M6243F</b>	2
19	Fuse, 5A, orange	See Service Notes, section MQ		<b>A082M6245F</b>	4
20	Fuse, 7.5A, brown	See Service Notes, section MQ		<b>A082M6246F</b>	11
21	Fuse, 10A, red	See Service Notes, section MQ		<b>A082M6247F</b>	7
22	Fuse, 15A, light blue	See Service Notes, section MQ		<b>A082M6248F</b>	3
23	Fuse, 20A, yellow	See Service Notes, section MQ		<b>A082M6249F</b>	9
24	Cover, fusebox			<b>A111M6115S</b>	1
25	Relay, start inhibit			<b>B116M0032F</b>	1



**EUROPA**  
**17.05**

**Function Code 17.05 Interior Switches, Auxiliary Power Socket**

<u>Dep</u>	<u>Part Description</u>	<u>Remarks</u>	<u>Option</u>	<u>Part Number</u>	<u>Qty</u>
01	Column Switch, LH, indicators/dip/flash			A100M6048F	1
02	Column Switch, RH, windscreen wipe/wash			A100M6049F	1
03	Switch, panel light dimmer/trip reset			B117M0048F	1
04	Switch, hazard			A340M6016F	1
04a	Foam blanking Ring, self adhesive, hazard switch to cover	Not illustrated		A124U0153F	1
05	Switch, sidelamps, green tell tale			A117M0055F	1
06	Decal, sidelamps graphic, RHD/LHD			A117M0005F	1
07	Switch, headlamps, green tell-tale			A117M0055F	1
08	Decal, headlamps graphic, RHD			A117M0006F	1
08a	Decal, headlamps graphic, LHD			A117M0045F	1
09	Switch, rear fog lamp, yellow tell-tale			A117M0056F	1
10	Decal, rear fog lamp graphic, RHD			A117M0007F	1
10a	Decal, rear fog lamp graphic, LHD			A117M0046F	1
11	Auxiliary Power Socket			A117M6024F	1
12	Switch Panel Backlight Assembly, orange	Three linked illumination panels		A117M0125F	1
13	Switch, window lift			A117M6064F	2
14	Switch, central door locking			A117M0124F	1
15	Starter Button			A121M0026S	1
16	Microswitch/Harness Assy., engine start			A121M0027S	1



**EUROPA**  
17.06

*Updated 21st February 2012*

# Service Parts List

# EUROPA



## Function Code 17.06 Engine Management & Sensors

<u>Dep</u>	<u>Part Description</u>	<u>Remarks</u>	<u>Option</u>	<u>Part Number</u>	<u>Qty</u>
01	Electronic Control Module (ECM)		Europa S	A124E0021F	1
01a	Electronic Control Module (ECM), upgrade	Aftersales option	Post registration	A124E0055S	1
01b	Electronic Control Module (ECM), SE		Europa SE	A124E0057S	1
01c	Bracket, ECM mounting	Not illustrated		A124E6210S	1
01d	Screw, ECM bracket	Not illustrated		A124E6043S	4
02	Sensor, ambient pressure (baro)			A124E6304S	1
03	Sensor, coolant temperature			A124E6166S	1
04	Sensor Assembly, mass air flow (MAF)			A124E0018F	1
05	Sensor, oxygen, pre-catalyst		A116E6023F R/B	A124E6325S	1
06	Vacuum Solenoid Valve, wastegate			A124E6305S	2
07	Sensor, crankshaft position			A124E6200S	1
08	Screw, torx, crank. position sensor to block			A124E6044S	1
09	Sensor, intake air temperature (IAT)	On intercooler		A116E6014H	1
10	Sensor, camshaft position			A124E6195S	1
11	Screw, camshaft position sensor to head			A124E6042S	1
12	Sensor, knock			A124E6198S	1
12a	Cable Tie, knock sensor lead	Not illustrated		A124E6081S	1
13	Screw, knock sensor, to block			A124E6022S	1

EUROPA

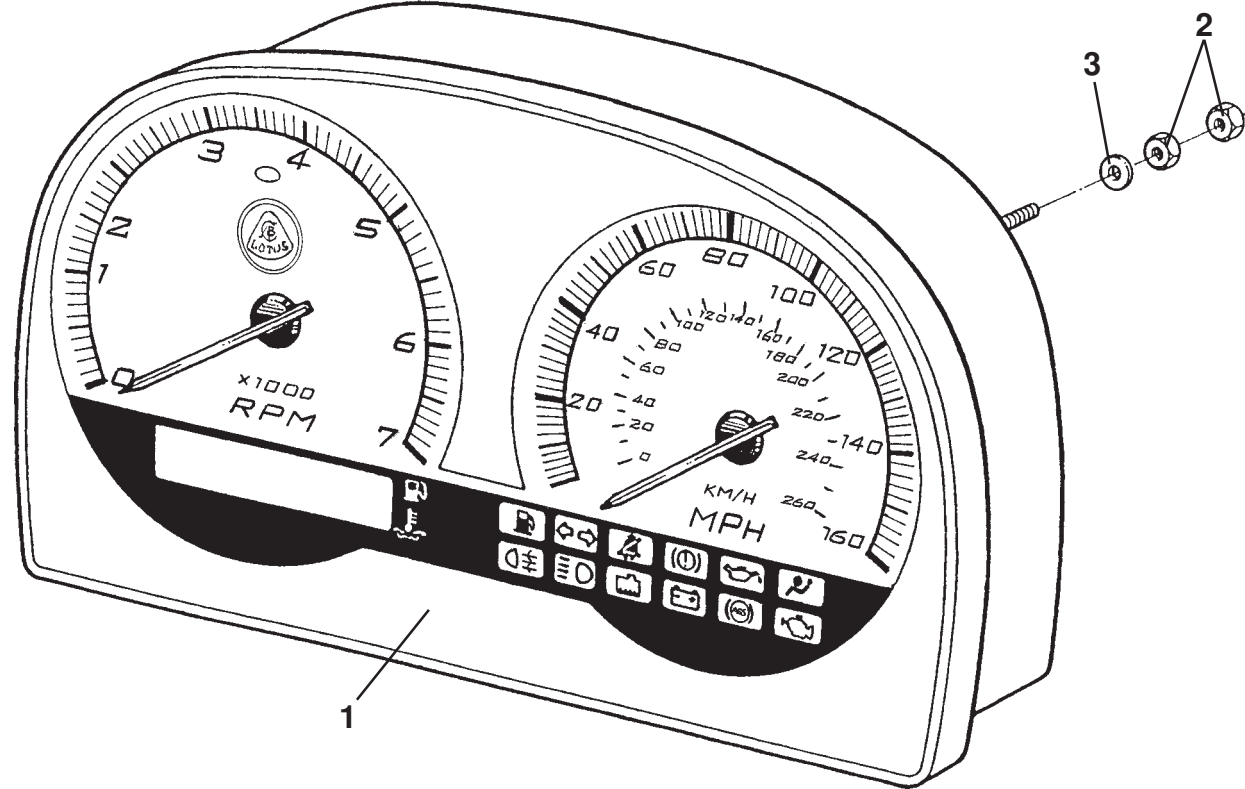
Function Code: 17.06, Page: 1

*Updated 3rd February 2014*

---

**Function Code 17.06 Engine Management & Sensors**

<u>Dep</u>	<u>Part Description</u>	<u>Remarks</u>	<u>Option</u>	<u>Part Number</u>	<u>Qty</u>
14	Vacuum Reservoir			A124E6295S	1
15	Screw, M5 x 16, torx, reservoir to bracket			A124E6058S	2
16	Sensor, oxygen, catalyst			A116E6057F	1
17	Multi Function Relay Unit			A111M6024F	1
18	Vacuum Solenoid Valve, boost regulating			A124E6267S	1



EUROPA

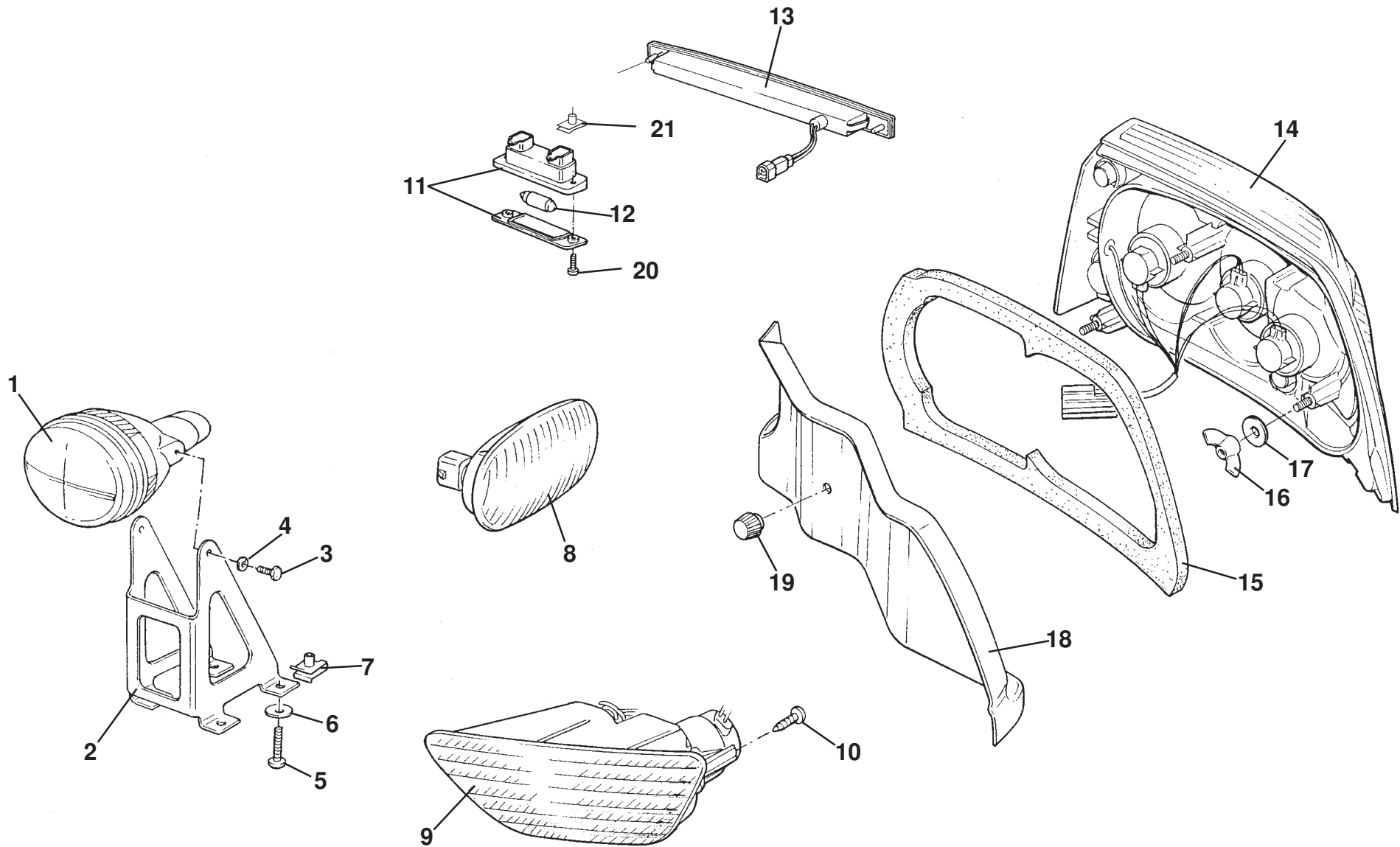
17.07

---

**Function Code 17.07 Instruments, Tell Tales, & Displays**

<u>Dep</u>	<u>Part Description</u>	<u>Remarks</u>	<u>Option</u>	<u>Part Number</u>	<u>Qty</u>
01	Instrument Pack, MPH			A124N0006F	1
01a	Instrument Pack, Km/h			A124N0005F	1
02	Nut, M4, pack to brackets			A075W3019F	8
03	Washer, flat, M4			A082W4099F	4





**EUROPA**  
17.11

*Updated 24th January 2013*

# Service Parts List

# EUROPA



## Function Code 17.11 Exterior Lamps, Except Headlamps

<u>Dep</u>	<u>Part Description</u>	<u>Remarks</u>	<u>Option</u>	<u>Part Number</u>	<u>Qty</u>
01	Driving Lamp, eleptical lens, 80mm wide			A340M6005F	2
02	Bracket, driving lamp mounting, LH			A124M0057F	1
02a	Bracket, driving lamp mounting, RH			A124M0056F	1
03	Screw, M5 x 8, hex. hd., bracket to lamp			A117W1173F	4
04	Washer, spring, M5, bracket to lamp			A082W4097F	4
05	Screw, M6 x 25, button skt. hd., bracket to bumper			A075W7016F	8
06	Washer, flat, M6 x 25, bracket to bumper			A082W4131F	8
07	Spirenut, M6, bracket to bumper			A117W6715F	8
08	Lamp, side repeater			A124M0016F	2
09	Lamp, front direction indicator/side, LH			A124M0017F	1
09a	Lamp, front direction indicator/side, RH			A124M0021F	1
10	Screw, No. 8 x 0.75", pan pozi. hd., lamp to bumper			A075W5074Z	4
11	Lamp, license plate			A116M6001F	2
12	Bulb, 12v 5w, license plate			A083M6292F	2
13	Lamp, CHMSL	In rear spoiler		A116M0016F	1
14	Lamp, rear, LH			A124M0011F	1
14a	Lamp, rear, RH			A124M0010F	1
15	Seal, rear lamp, LH			A124M0037F	1

EUROPA

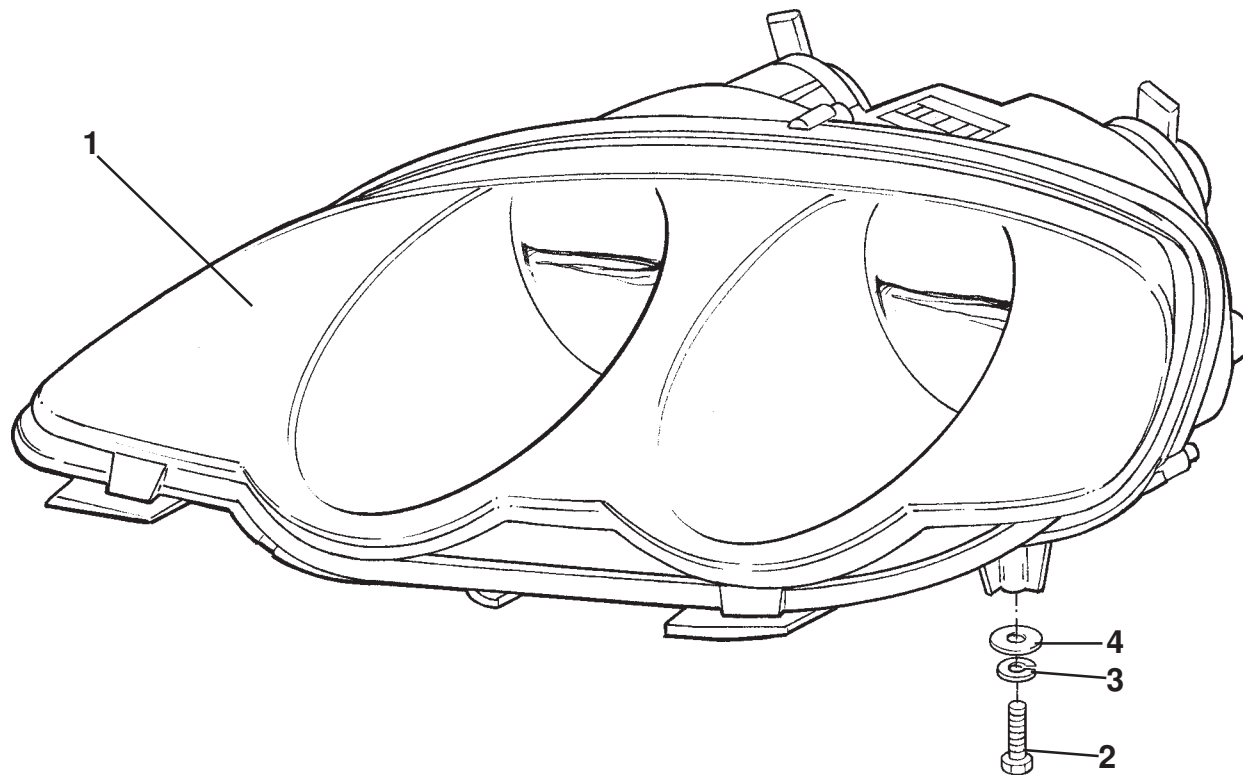
Function Code: 17.11, Page: 1

Updated 5th January 2015

---

**Function Code 17.11 Exterior Lamps, Except Headlamps**

<u>Dep</u>	<u>Part Description</u>	<u>Remarks</u>	<u>Option</u>	<u>Part Number</u>	<u>Qty</u>
15a	Seal, rear lamp, RH			A124M0036F	1
16	Wing Nut, M6, rear lamp to clamshell			A075W3033Z	6
17	Washer, flat, M6 x 25 x 1.4, S/S, rear lamp to clamshell			B075W4017Z	6
18	Cover, rear lamp, LH			A124M0029F	1
18a	Cover, rear lamp, RH			A124M0028F	1
19	Knurled Plastic Nut, M6, cover retention			A124W5304F	2
20	Screw No. 6 x 3/4 flg pozi, license plate lamp			A075W5028Z	4
21	Spirenut, No. 6			A124W3225F	4



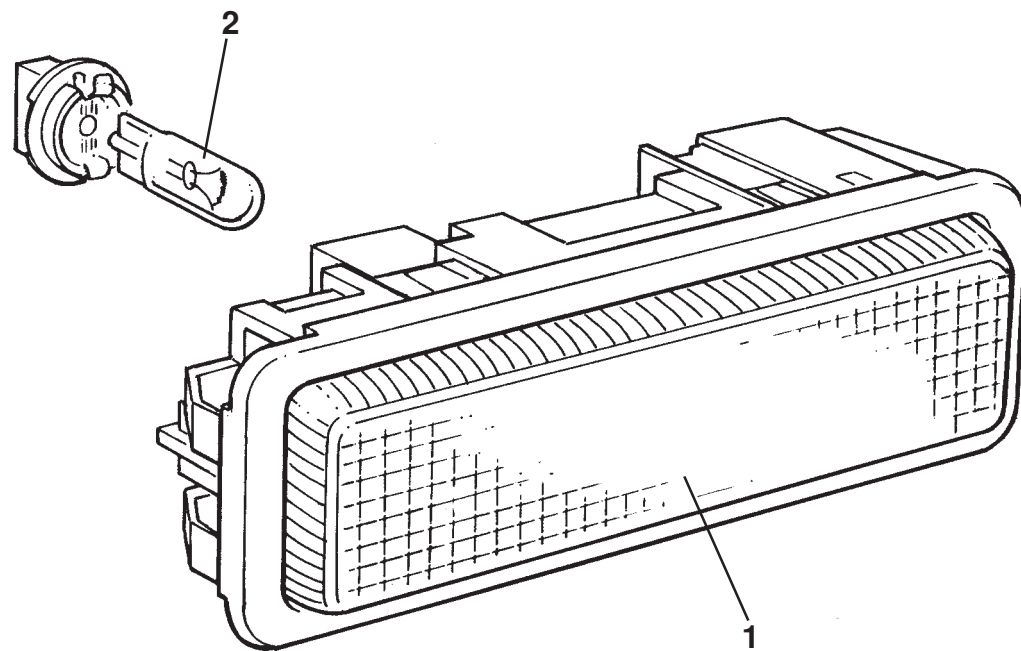
**EUROPA**

**17.13**

---

**Function Code 17.13 Headlamps**

<u>Dep</u>	<u>Part Description</u>	<u>Remarks</u>	<u>Option</u>	<u>Part Number</u>	<u>Qty</u>
01	Headlamp Assembly, LH, RHD			A124M0007F	1
01a	Headlamp Assembly, RH, RHD			A124M0006F	1
01b	Headlamp Assembly, LH, LHD			A124M0009F	1
01c	Headlamp Assembly, RH, LHD			A124M0008F	1
02	Screw, M6 x 16, hex. hd., lamp to bumper			A075W1028F	6
03	Washer, spring. M6, lamp to bumper			A075W4035Z	6
04	Washer, flat, M6 x 25 x 1.4, S/S, lamp to bumper			A075W4017Z	6



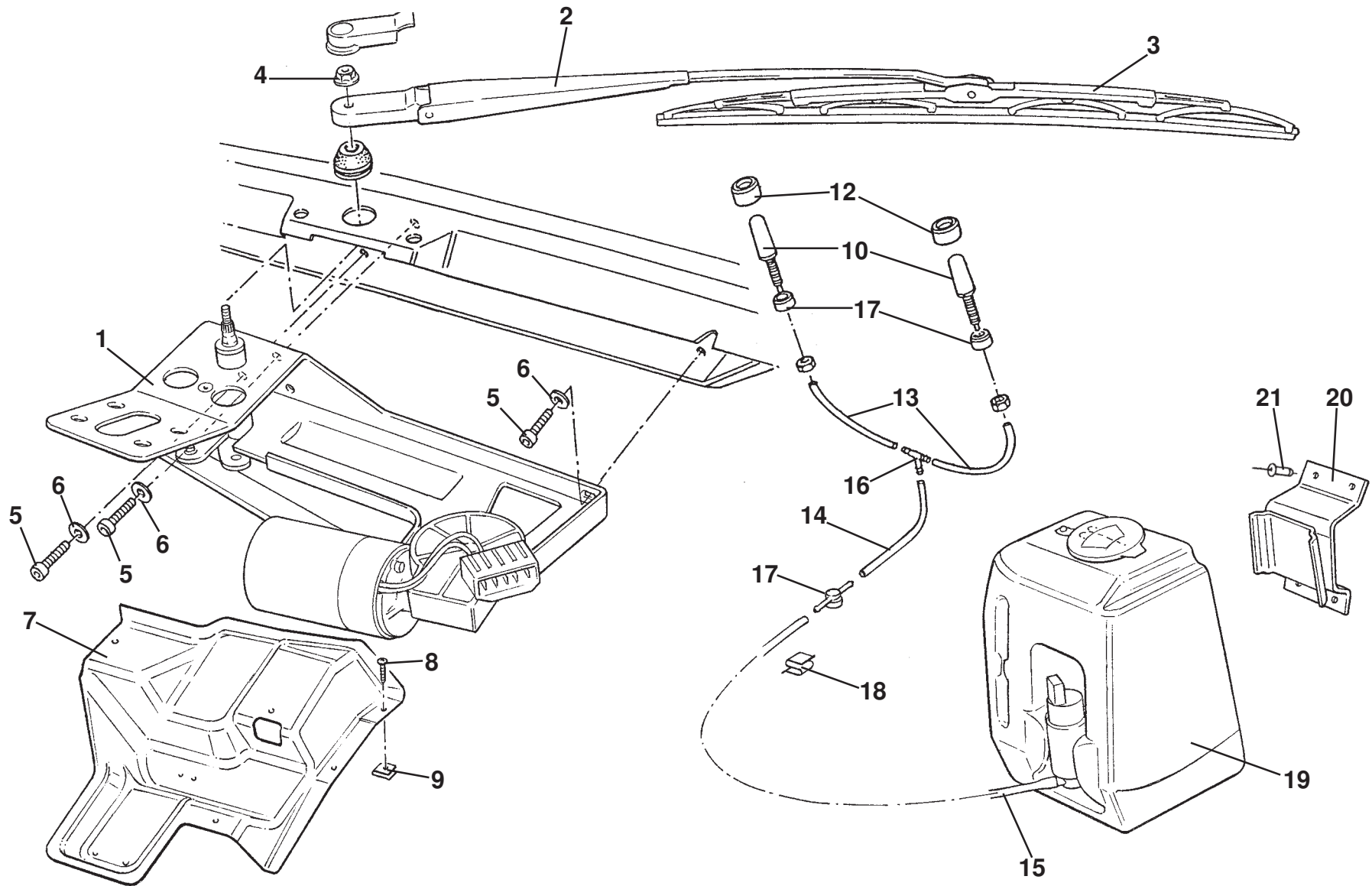
EUROPA  
17.17

---

**Function Code 17.17 Interior Lamps**

<u>Dep</u>	<u>Part Description</u>	<u>Remarks</u>	<u>Option</u>	<u>Part Number</u>	<u>Qty</u>
01	Interior Lamp			A082M6644F	1
02	Bulb, interior lamp, 5W	Part of bulb & fuse kit		LOTAC05345	1

---



**EUROPA**

**17.21**



# Service Parts List

# EUROPA



## Function Code 17.21 Windscreen Wiper Motor, Wipers & Washers

<u>Dep</u>	<u>Part Description</u>	<u>Remarks</u>	<u>Option</u>	<u>Part Number</u>	<u>Qty</u>
01	Wiper Drive Assembly, RHD*			A117M0104F	1
01a	Wiper Drive Assembly, LHD*			A117M0103F	1
02	Wiper Arm/Blade Assembly		A120M0005H R/B	B121B0057F	1
03	Wiper Blade			B120M0006H	1
04	Flange Nut, M8 x 1.25, arm to spindle			A111W3154F	1
05	Screw, M8 x 20, cap hd., motor bracket to body			A111W7141F	3
06	Washer, M8, spring, motor bracket to body			A075W4036Z	3
07	Cover, wiper motor, RHD	Also fusebox/fans relay mounting		C124U0049F	1
07a	Cover, wiper motor, LHD	Also fusebox/fans relay mounting		C124U0048F	1
08	Screw, No.10 x 1/2", pozi., cover fix.			A075W5040Z	2
09	Spire Nut No. 8, cover, wiper motor fix.			A075W6016Z	2
10	Windscreen Washer Jet			A120W6796F	2
11	Spacer, washer jet			A111M6046K	2
12	Sleeve, washer jet	Bonded over jet & spacer		A111M0065F	1
13	Tube, 'T' piece to jet	Cut to fit		A116M0040V	As req.
14	Tube, non return vave to 'T' piece	Cut to fit		A116M0040V	As req.
15	Tube, bottle to non return valve	Cut to fit		A116M0040V	As req.
16	'T' piece, washer tubing			A111M6045K	1

EUROPA

Function Code: 17.21, Page: 1

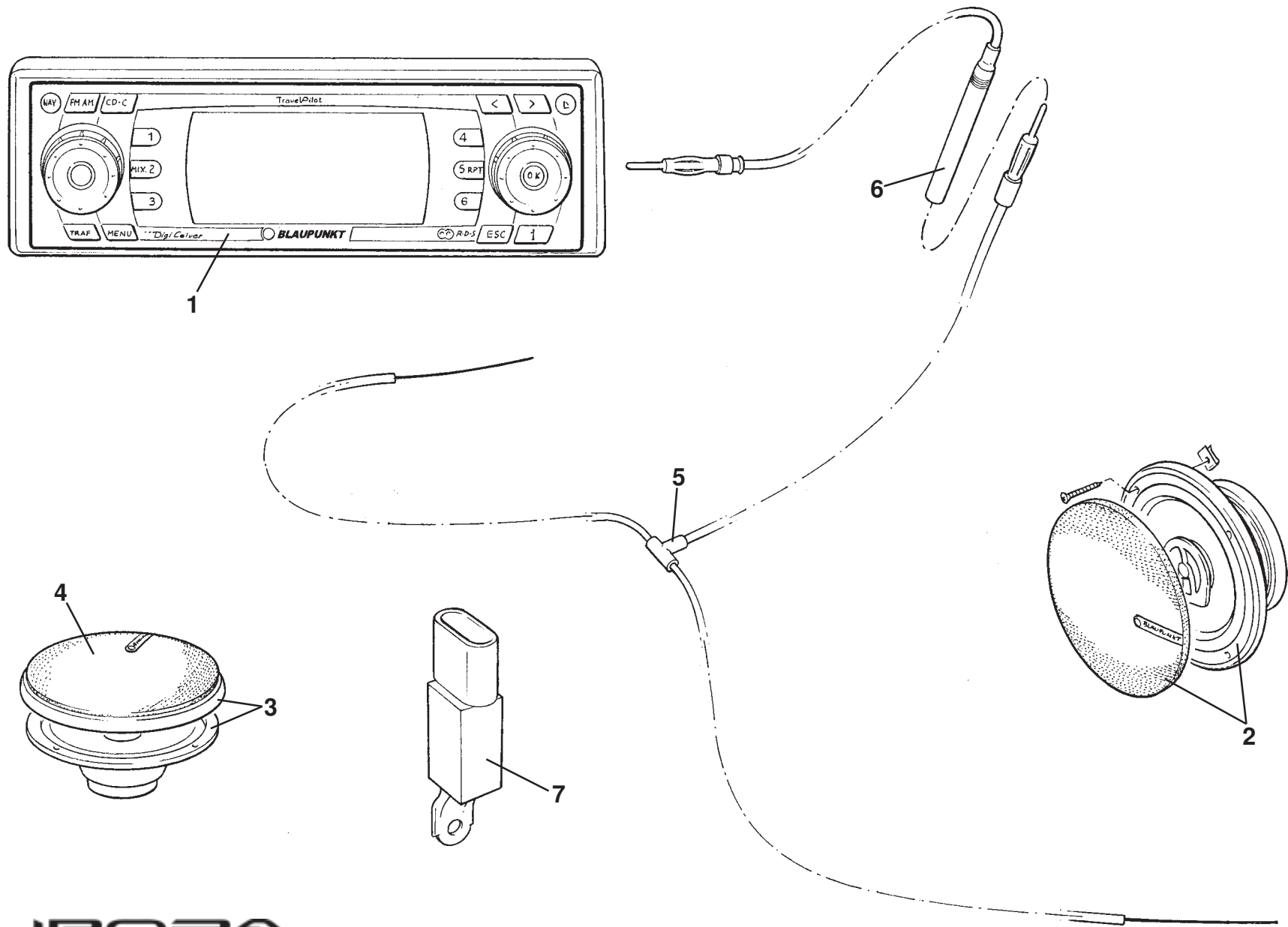
Updated 1st October 2018

---

**Function Code 17.21 Windscreen Wiper Motor, Wipers & Washers**

<u>Dep</u>	<u>Part Description</u>	<u>Remarks</u>	<u>Option</u>	<u>Part Number</u>	<u>Qty</u>
17	Valve, non return			<b>A100M6062H</b>	1
18	Clip, hose to wiper motor bracket			<b>A079W6185F</b>	1
19	Washer Bottle and Pump Assembly	Not Available order A120M6058F,B117P0082F & A120M0090S to retro fit		<b>B116M0039F</b>	1
19a	Pump Washer Bottle	Not illustrated, service replacement for A120M6058f		<b>A132U6027H</b>	1
20	Bracket, washer bottle mounting			<b>A124P0022F</b>	1
21	Pop Rivet, bracket to boot bulkhead			<b>A089W6297F</b>	3
		*Note if unavailable refer to Elise 11MY parts list C120T0325J			

---

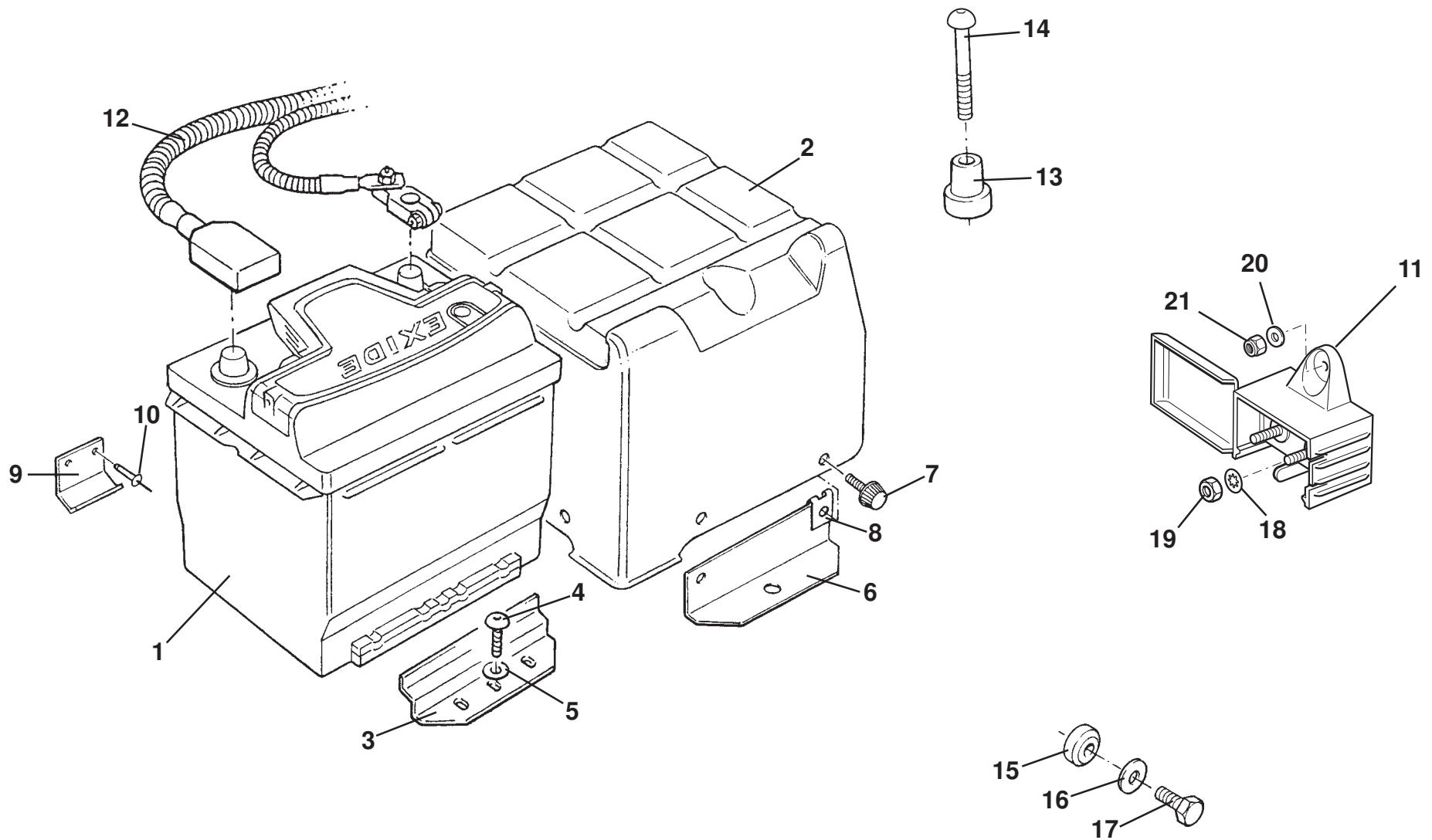


**EUROPA**  
17.27

---

**Function Code 17.27 In Car Entertainment**

<u>Dep</u>	<u>Part Description</u>	<u>Remarks</u>	<u>Option</u>	<u>Part Number</u>	<u>Qty</u>
01	Radio, Blaupunkt Travelpilot Amsterdam NAV 35E		A124M0040F R/B	A124M6005F	1
02	Speaker Kit, rear, Blaupunkt BGX 542			A120M6015F	1
03	Speaker Kit, front, Blaupunkt ODX 102			A120M6016F	1
04	Grille, front speaker, pair			A121M6008F	1
05	Antenna, di pole, analogue			A120M0018F	1
06	Co-axial Cable, antenna, analogue			A120M0019F	1
07	Condenser, radio suppression	At rear of cylinder head		A124E6306S	1



**EUROPA**  
17.31

*Updated 3rd November 2014*

# Service Parts List

# EUROPA



## Function Code 17.31 Battery, Clamps, & Cables

<u>Dep</u>	<u>Part Description</u>	<u>Remarks</u>	<u>Option</u>	<u>Part Number</u>	<u>Qty</u>
01	Battery, Exide W063Z, 46Ah			A120M6017F	1
02	Battery Cover			A124M0030K	1
03	Battery Clamp, inboard			A120M0014F	2
04	Screw, M8, skt. button hd., clamp fix.			A075W7022F	2
05	Washer, flat, M8 x 16.6 x 1.4, clamp fix.			A075W4020Z	2
06	Bracket, battery cover			A124M0031F	2
07	Thumbscrew, M6 x 10, cover retention			A124W5302F	4
08	Spirenut, M6, cover retention			A117W6715F	4
09	Battery Clamp, outboard			A124M0027F	2
10	Pop Rivet, clamp to bootbox			A111W6614F	4
11	Binding Post Assembly			A340M6007F	2
12	Harness, battery, +VE & -VE			A124M0015F	1
13	Battery Post, -VE, chassis rear LH			B116M0060F	1
14	Bolt, M8 x 40, cap hd., post to chassis			A116W2204F	1
15	Cup Washer, earth point, chassis front LH			A111M0039F	1
16	Washer, flat, M10 x 20.5 x 1.8, earth point, chassis front L			A075W4020Z	1
17	Screw, M8 x 20, hex hd., earth point, chassis front LH			A075W2038Z	1
18	Washer Shakeproof M8			A075W4048Z	2

EUROPA

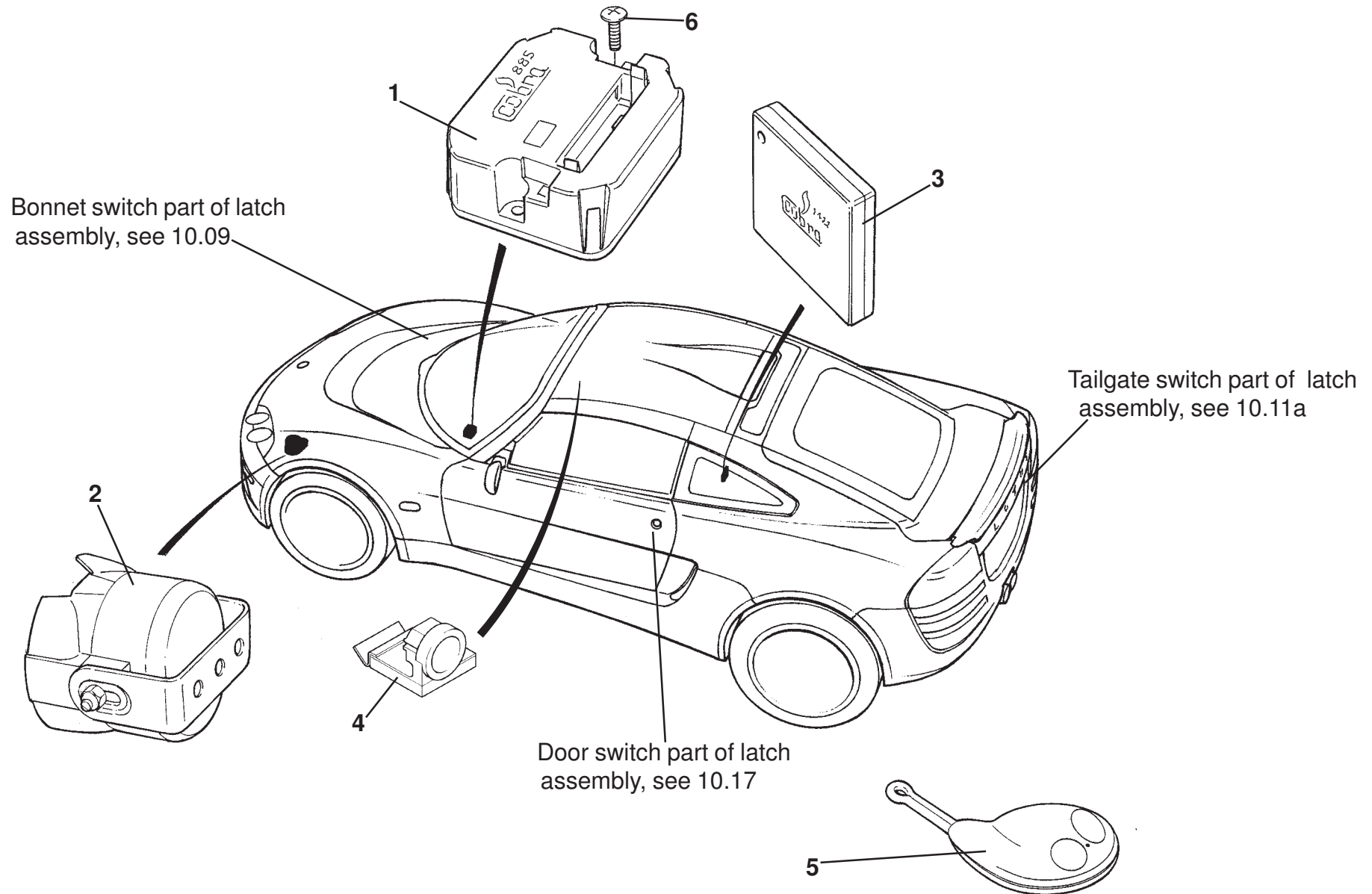
Function Code: 17.31, Page: 1

*Updated 3rd November 2014*

---

**Function Code 17.31 Battery, Clamps, & Cables**

<u>Dep</u>	<u>Part Description</u>	<u>Remarks</u>	<u>Option</u>	<u>Part Number</u>	<u>Qty</u>
19	Nut M8			A075W3021Z	2
20	Nyloc M5, battery post			A075W3008Z	1
21	Washer Flat 3/16 x 1/2 x16, battery post			A075W4000Z	1



**EUROPA**  
**17.33**



# Service Parts List

# EUROPA



## Function Code 17.33 Security Alarm System, Parking Sensors & Camera

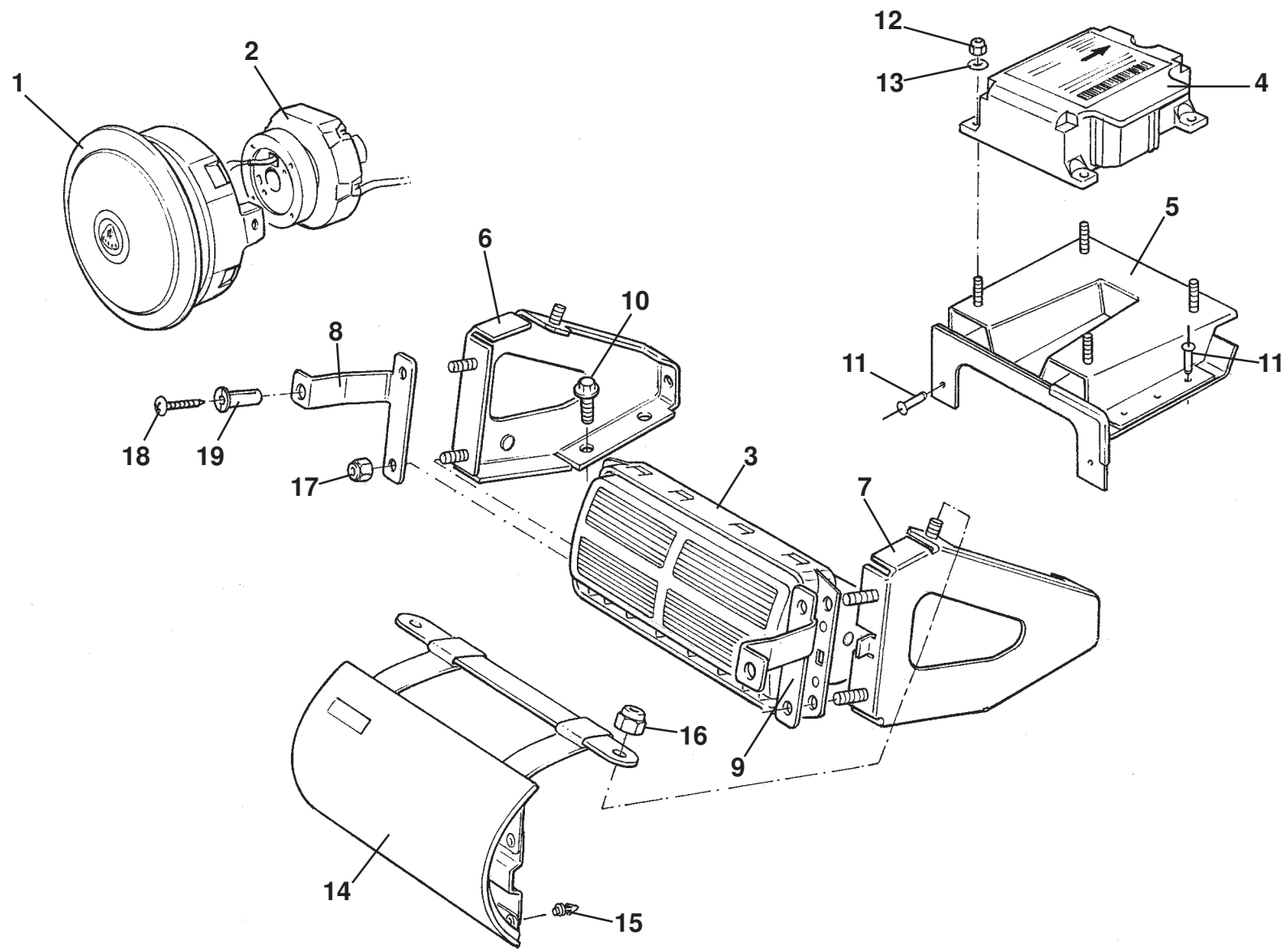
<u>Dep</u>	<u>Part Description</u>	<u>Remarks</u>	<u>Option</u>	<u>Part Number</u>	<u>Qty</u>
01	Alarm Kit, Cobra 8166	Comprises: controller, keys, plus items 2 & 3		A124M0012F	1
02	Siren Assembly	Includes, bracket, fixings		A117M6047S	1
03	Microwave Sensor			A117M6048S	1
04	Immobiliser			A124M6004F	1
05	Transmitter Key, casing and components			A111M6100S	2
05a	Transmitter Key, casing			A142M6000S	2
06	Screw, No.8 x 3/8", pan hd. pozi. controller to chassis			A075W5031Z	2

NOTE: For full information on all Lotus Security Systems, see LSL483g

EUROPA

Function Code: 17.33, Page: 1

*Updated 5th January 2015*



**EUROPA**

**17.35**

# Service Parts List

# EUROPA



## Function Code 17.35 Other Electrical, SIR: Inflator Modules, DERM & Sensors

<u>Dep</u>	<u>Part Description</u>	<u>Remarks</u>	<u>Option</u>	<u>Part Number</u>	<u>Qty</u>
01	Airbag Assembly, driver	Including Lotus badge		A121U0047F	1
02	Rotary Contact Unit, SIR wheel	P/O wheel assy., see 32.05		A120M6010S	1
03	Airbag Unit, passenger			A121U6066F	1
04	SRS Unit			A121B0060F	1
05	Mounting Bracket, SRS unit			B121U0095F	1
06	Mounting Bracket, passenger airbag, LH			A121U0065F	1
07	Mounting Bracket, passenger airbag, RH			A121U0066F	1
08	Mounting Bracket, passenger airbag/rail, LH			B121U0069F	1
09	Mounting Bracket, passenger airbag/rail, RH			B121U0070F	1
10	Bolt, M8 x 20, flg. hex. hd., bracket to chassis			A120W5278F	4
11	Pop Rivet, bracket to chassis			A100W6037F	8
12	Nyloc Nut, M6, SRS unit to bracket			A075W3009Z	4
13	Washer, flat, M6 x 12.5 x 1.6, SRS unit to bracket			A100W6307F	4
14	Cover Assembly, passenger airbag			C121U0019F	1
15	Clip, cover to dash panel			B121U0117F	4
16	Nyloc Nut, M8, cover strap bar to bracket			A075W3010Z	2
17	Nyloc Nut, M6, PAB to mounting brackets			A075W3009Z	4
18	Screw, self tap., No. 8 x 3/4" bracket to dash panel			A075W5074Z	2

EUROPA

Function Code: 17.35, Page: 1

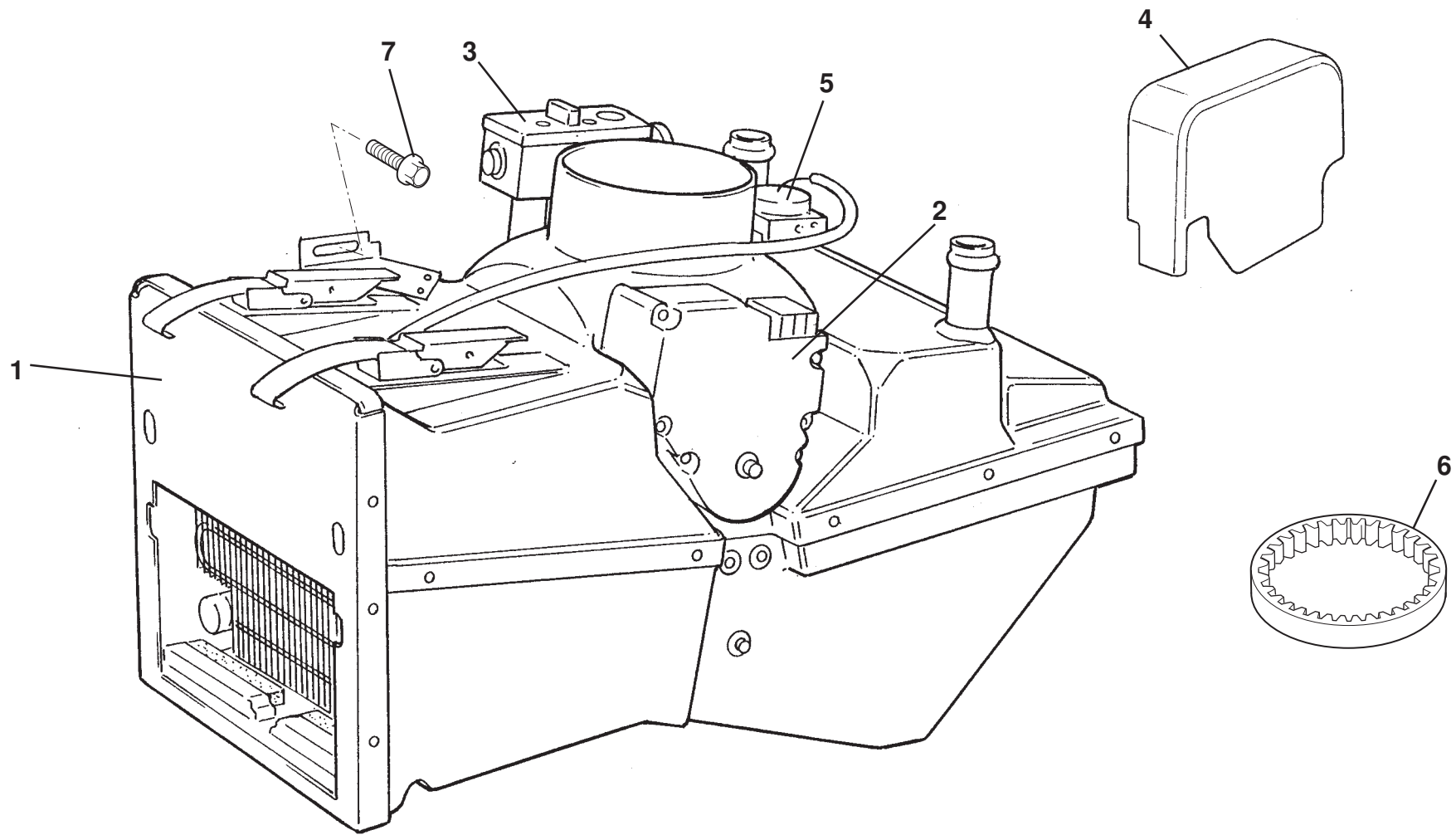
2009/01

---

**Function Code 17.35 Other Electrical, SIR: Inflator Modules, DERM & Sensors**

<u>Dep</u>	<u>Part Description</u>	<u>Remarks</u>	<u>Option</u>	<u>Part Number</u>	<u>Qty</u>
19	Captive Nut, bracket to dash panel			A120W3186F	2

---



**EUROPA**

**18.01**

*Updated 24th January 2013*

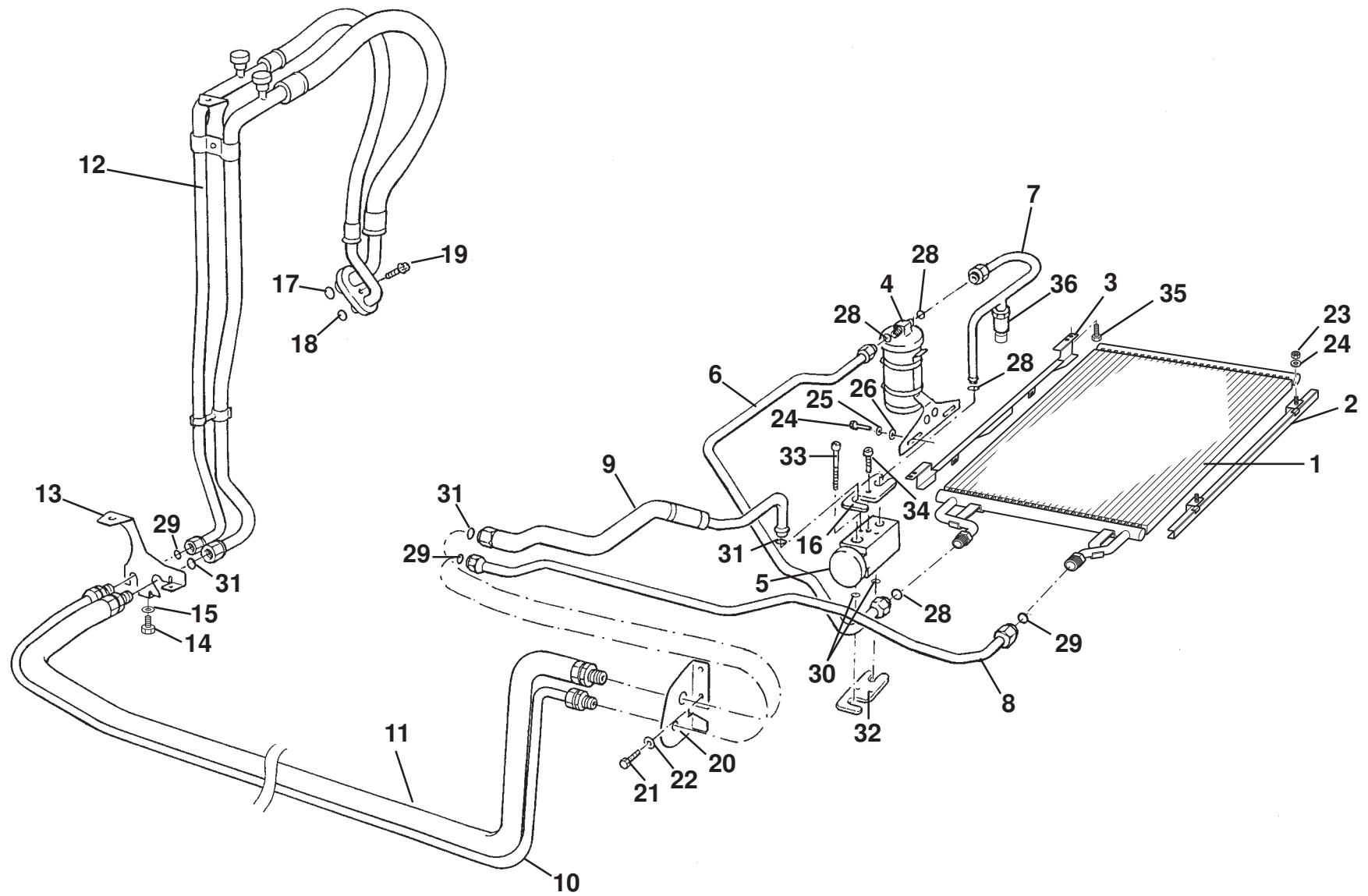
# Service Parts List

# EUROPA



## Function Code 18.01 Heater/ Air Conditioning Assemblies, Housings

<u>Dep</u>	<u>Part Description</u>	<u>Remarks</u>	<u>Option</u>	<u>Part Number</u>	<u>Qty</u>
01	Heater/AC Housing Assembly			B124P0013F	1
02	Actuator, heater/AC flaps			A117M6052S	1
02	Actuator, heater/AC flaps			A117M6052S	1
03	Expansion Valve	Also see 18.03		A117P0122S	1
04	Cover, actuator			A117P0158K	1
05	Thermostat Unit	Includes temperature probe/tube		A120P6004S	1
06	Drive Belt, heater flap			A117P6001S	1
07	Screw, M6 x 20, hex. flg. hd., AC/htr. assy. to chassis			A117W2203F	2



**EUROPA**  
18.03

*Updated 2nd January 2018*

# Service Parts List

# EUROPA



## Function Code 18.03 AC Components, Pipes, Hoses

<u>Dep</u>	<u>Part Description</u>	<u>Remarks</u>	<u>Option</u>	<u>Part Number</u>	<u>Qty</u>
01	Condenser			A117P0130H	1
02	Bracket, front			A124P6005S	1
03	Bracket, rear			A124P6006S	1
04	Receiver Drier/Bracket Assembly, LHD			A117P0060F	1
04a	Receiver Drier/Bracket Assembly, RHD			A117P0058F	1
05	Expansion Valve			A124P0012H	1
06	Refrigerant Pipe, reciever drier to condenser, LHD			C124P0011F	1
06a	Refrigerant Pipe, reciever drier to condenser, RHD			C124P0010F	1
07	Refrigerant Pipe, reciever drier to expansion valve, LHD			C124P0007F	1
07a	Refrigerant Pipe, reciever drier to expansion valve, RHD			C124P0008F	1
08	Refrigerant Pipe, condenser to sill connection			C124P0009F	1
09	Refrigerant Pipe, expansion valve to sill connection, LHD			C124P0005F	1
09a	Refrigerant Pipe, expansion valve to sill connection, RHD			C124P0006F	1
10	Refrigerant Pipe, high pressure, rear to front connections			C124P0002F	1
11	Refrigerant Pipe, suction line, rear to front connections			C124P0001F	1
12	Pipe/Hose Assemblies, compressor suction/discharge			D124P0003F	1
13	Bracket, pipes retention, RH rear			C124P0020F	1
14	Screw, M8 x 25, hex. hd., bracket to undertray			A111W1156F	1

EUROPA

Function Code: 18.03, Page: 1

*Updated 2nd October 2017*



**Function Code 18.03 AC Components, Pipes, Hoses**

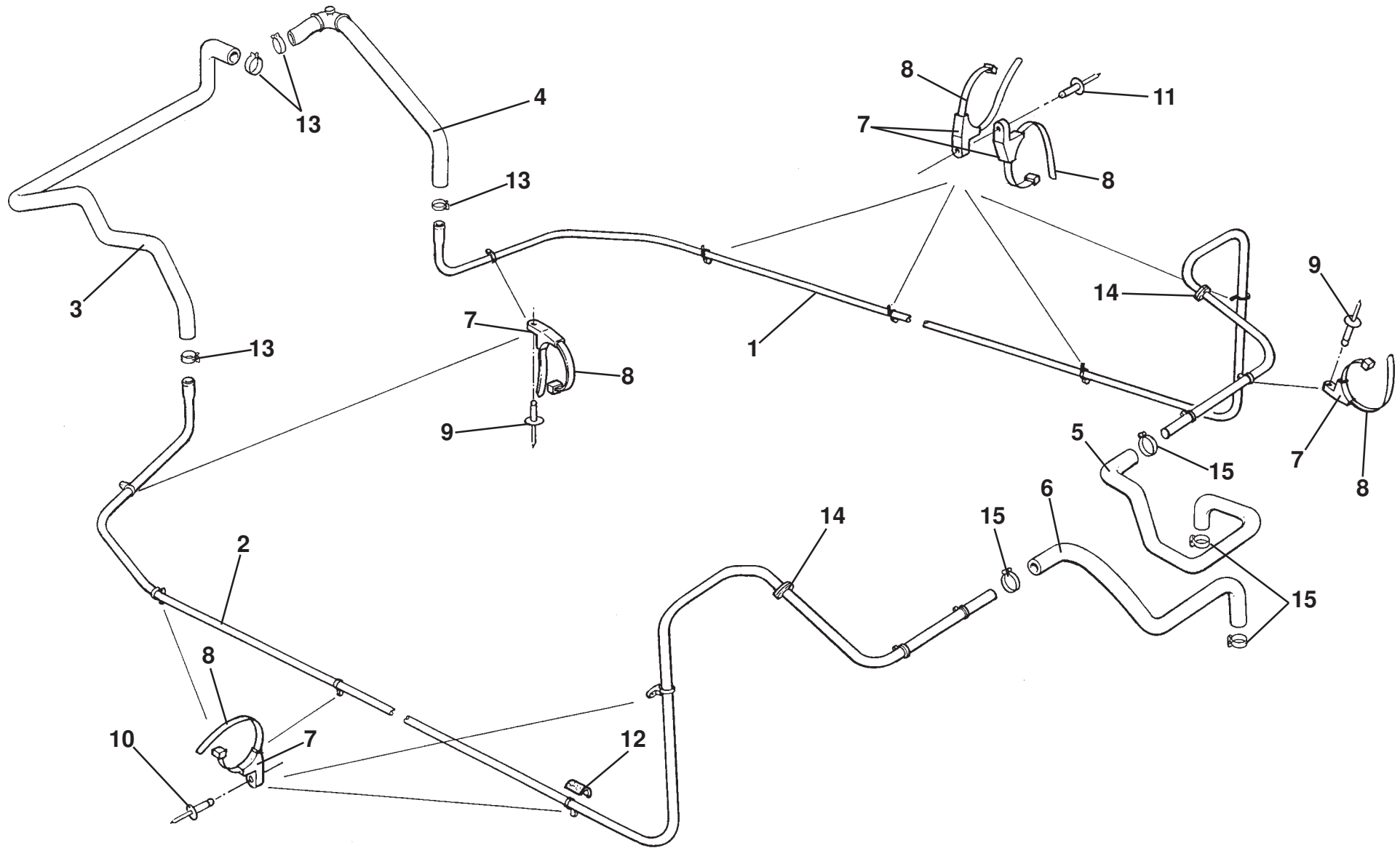
<u>Dep</u>	<u>Part Description</u>	<u>Remarks</u>	<u>Option</u>	<u>Part Number</u>	<u>Qty</u>
15	Washer, flat, M8 x 20 x 2.5, bracket to undertray			A079W4019F	1
16	Clamp Plate, pipes to expansion valve			A082P4402F	1
17	Seal, 17.5mm I/D, compressor to suction line			A124P6003F	1
18	Seal, 11.5mm I/D, compressor to discharge line			A124P6004F	1
19	Screw, flg. hd., pipes to compressor			A124E6318S	1
20	Bracket, pipes retention, front			B124B0192F	1
21	Screw, M6 x 16, hex. hd., bracket to body			A075W1028Z	2
22	Washer, flat, M6 x 20 x 2.5, bracket to body			A075W4016Z	2
23	Nyloc Nut, M6, condenser to radiator front			A075W3009F	2
24	Washer, flat, M6 x 12, condenser to radiator front			A075W4013Z	2
25	Screw, M6 x 16, hex. hd., bracket to chassis			A075W1028Z	2
26	Washer, spring, M6, bracket to chassis			A075W4035Z	2
27	Washer, flat, M6 x 12.1 x 1.4, bracket to chassis			A075W4013Z	2
28	'O; Ring, No. 6, pipe joints			A082P6078F	4
29	'O; Ring, No, 8, pipe joints			A082P6079F	2
30	'O' Ring, No 10, expansion valve to evaporator			A082P6080F	2
31	'O; Ring, No.12, pipe joints			A082P6081F	2
32	Clamp Plate, valve to evaporator			A082P4401F	1
33	Screw, M5 x 40, cap hd. skt., valve to clamp			A100W7081F	2
34	Screw, M6 x 16, cap hd. skt., clamp to valve			A075W7017F	1
35	Screw, M6 x 16, hex. hd., condenser to radiator			A075W1028Z	4

---

**Function Code 18.03 AC Components, Pipes, Hoses**

<u>Dep</u>	<u>Part Description</u>	<u>Remarks</u>	<u>Option</u>	<u>Part Number</u>	<u>Qty</u>
36	Pressure Sensor			B124P6001F	1

---

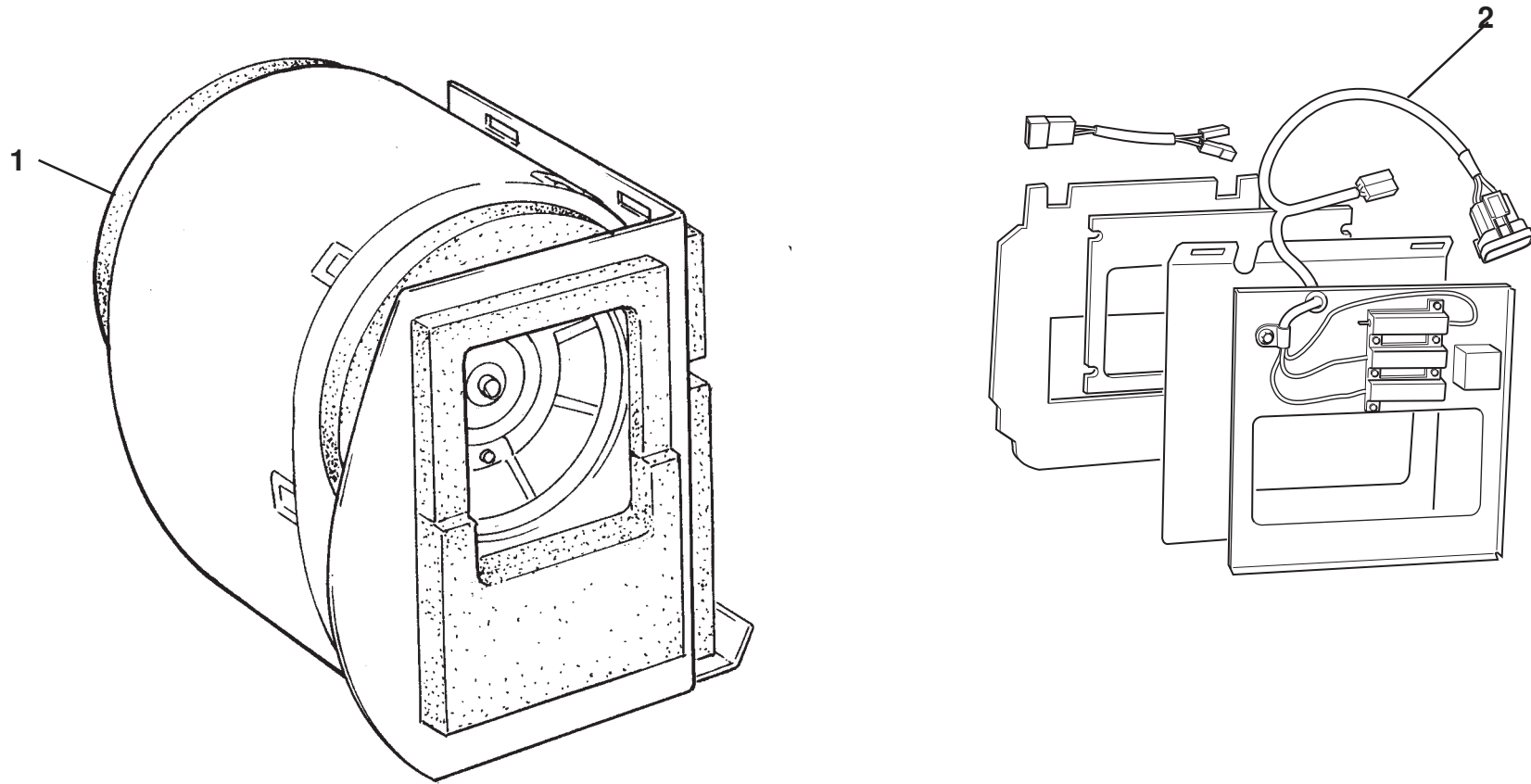


**EUROPA**

**18.05**

**Function Code 18.05 Heater, Pipes, Hoses**

<u>Dep</u>	<u>Part Description</u>	<u>Remarks</u>	<u>Option</u>	<u>Part Number</u>	<u>Qty</u>
01	Pipe, heater return, LH			C116K0020F	1
02	Pipe, heater feed, RH			C116K0022F	1
03	Hose, re-circ pump to feed pipe			B124K0001F	1
04	Hose Assembly, return pipe to engine	Via oil cooler, includes bleed		C124K0002F	1
05	Hose, heater outlet, RHD			A117P0024F	1
05a	Hose, heater outlet, LHD			A117P0023F	1
06	Hose, heater inlet, RHD			A117P0022F	1
06a	Hose, heater inlet, LHD			A117P0021F	1
07	Saddle Clip, cable tie, pipes to chassis			A082W6324F	14
08	Cable Tie, pipes retention			A075W6038F	14
09	Blind Rivet, saddle clamp to chassis			A085W6259F	6
10	Blind Rivet, saddle clamp to chassis			A111W6613F	6
11	Blind Rivet, saddle clamps to chassis			A111W6614F	4
12	Foam Strip, self adhesive, pipe protection			A082U6067F	As req.
13	Hose Clamp, 27mm, hoses to pipes/spigots			A116K6016F	4
14	Grommet, pipes through baffle			A111P0003K	2
15	Hose Clip, hoses to pipes/heater spigots			A079K6019Z	4
16	Clip, cable tie, front pipes securing			A120W6779F	2



**EUROPA**

**18.07a**

*Updated 24th January 2013*

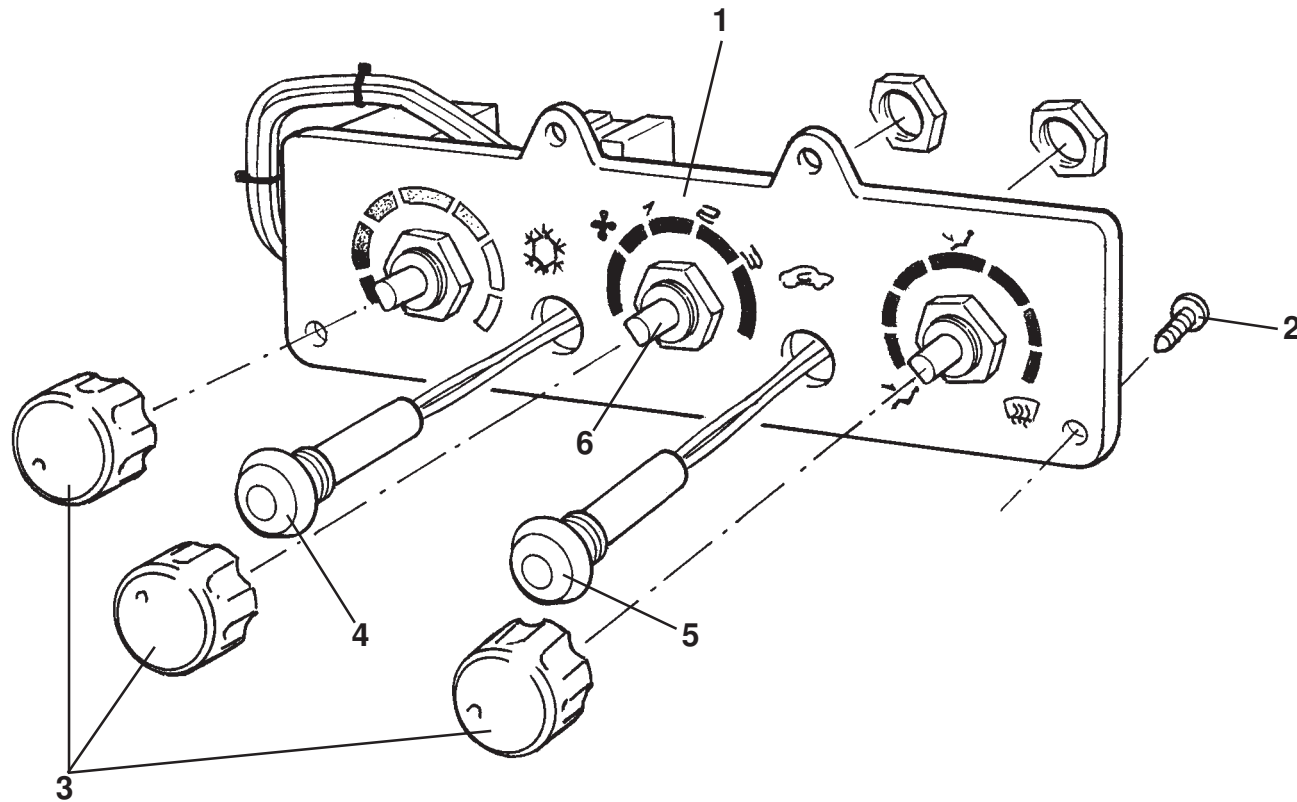
# Service Parts List

# EUROPA



## Function Code 18.07a AC Interior Blower Motor

<u>Dep</u>	<u>Part Description</u>	<u>Remarks</u>	<u>Option</u>	<u>Part Number</u>	<u>Qty</u>
01	Blower & Motor Assembly	Without ballast resistor		B117P0163F	1
02	Resistor Kit, blower motor			A120P0148S	1



EUROPA

18.09a

# Service Parts List

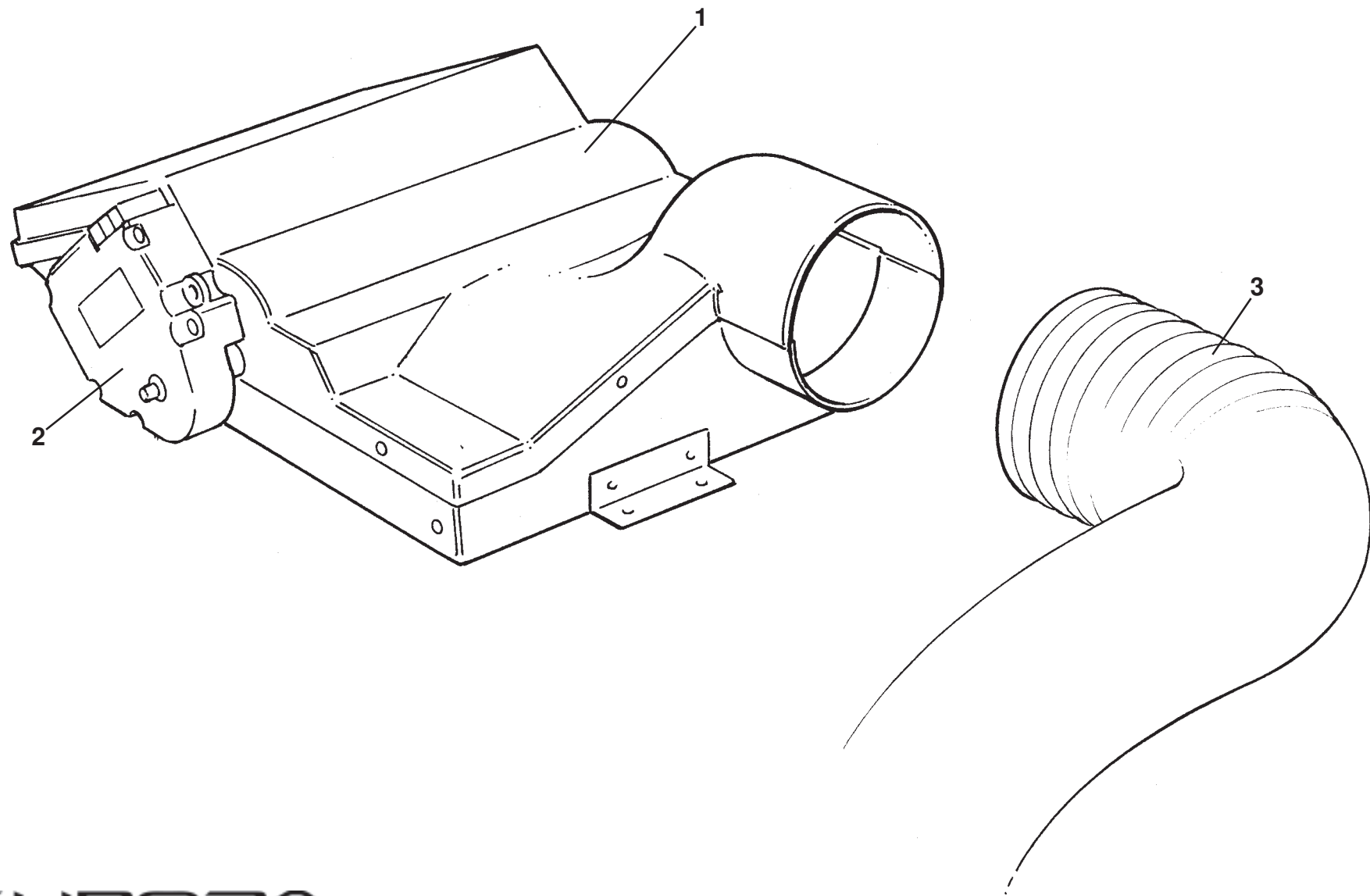
# EUROPA



## Function Code 18.09a AC/Heater Driver Operated Controls

<u>Dep</u>	<u>Part Description</u>	<u>Remarks</u>	<u>Option</u>	<u>Part Number</u>	<u>Qty</u>
01	Switch Panel Assembly, AC, RHD	Incl. temp, fan & dist. Switches	AC cars	A117P0147F	1
01a	Switch Panel Assembly, AC, LHD	Incl. temp, fan & dist. Switches	AC cars	A117P0146F	1
01b	Switch Panel Assembly, heater, RHD	Incl. temp, fan & dist. Switches	Heater cars	A117P0149F	1
01c	Switch Panel Assembly, heater, LHD	Incl. temp, fan & dist. Switches	Heater cars	A117P0148F	1
02	Screw, Ejot 1452K 50 x 18, black, panel fix.		A082W5187F R/B	A117W5277F	4
03	Knob, brushed/polished, climate controls			B117U0036F	3
03a	Knob, polished, climate controls			A117U0201F	3
03a	Knob, polished, climate controls			A117U0201F	3
04	Switch, AC, blue tell-tale			A117M0026F	1
05	Switch, Recirculation, blue tell-tale			A117M0026F	1
06	Switch, 3 speed fan			A117M6053S	1





EUROPA

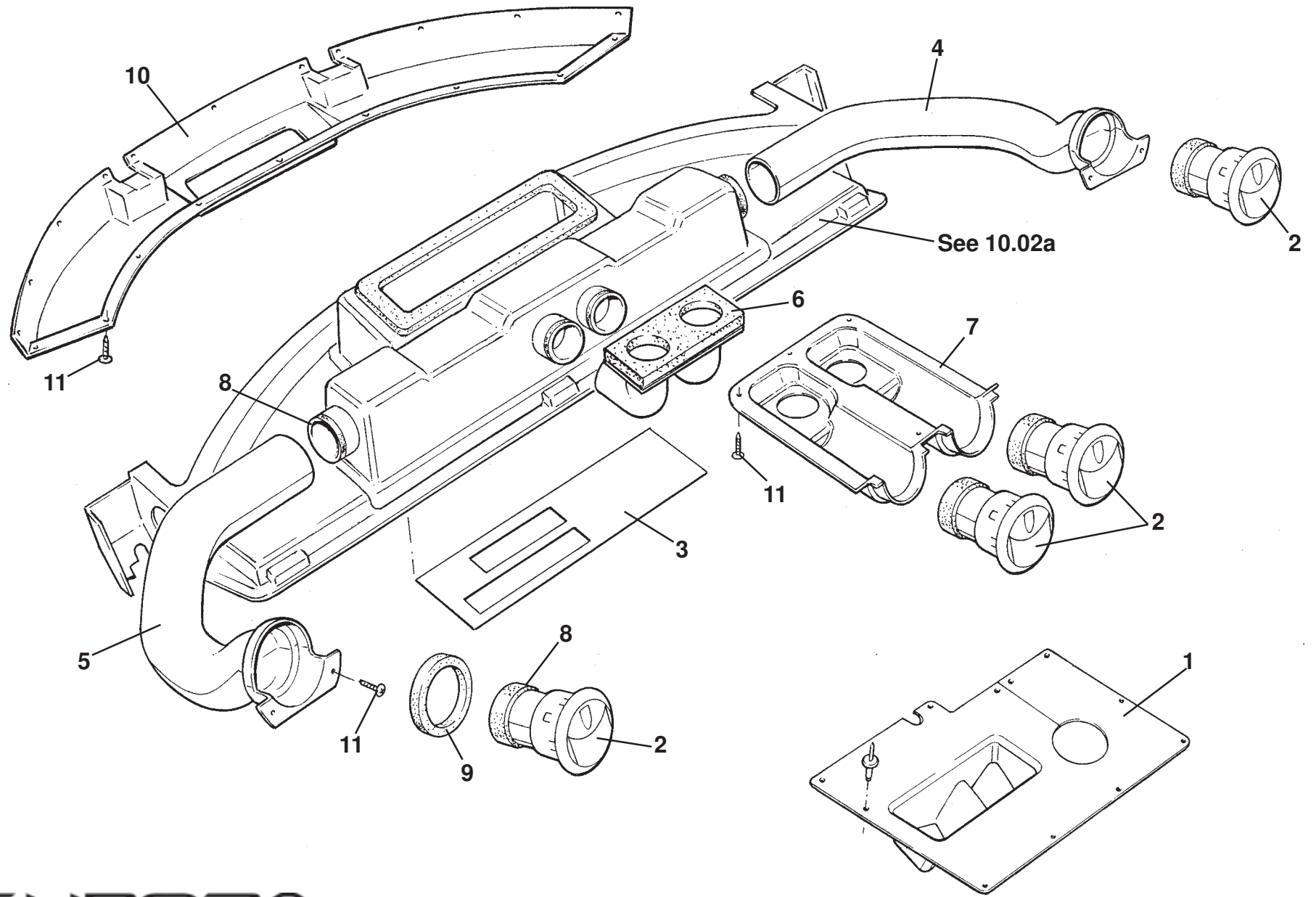
18.12

---

**Function Code 18.12 AC/Heater Air Distribution Plenum**

<u>Dep</u>	<u>Part Description</u>	<u>Remarks</u>	<u>Option</u>	<u>Part Number</u>	<u>Qty</u>
01	Air Distribution Plenum, LHD			A117P0041F	1
01a	Air Distribution Plenum, RHD			A117P0042F	1
02	Actuator, distribution flaps			A117M6052S	1
03	Hose, heater to plenum			A124P0025F	1

---



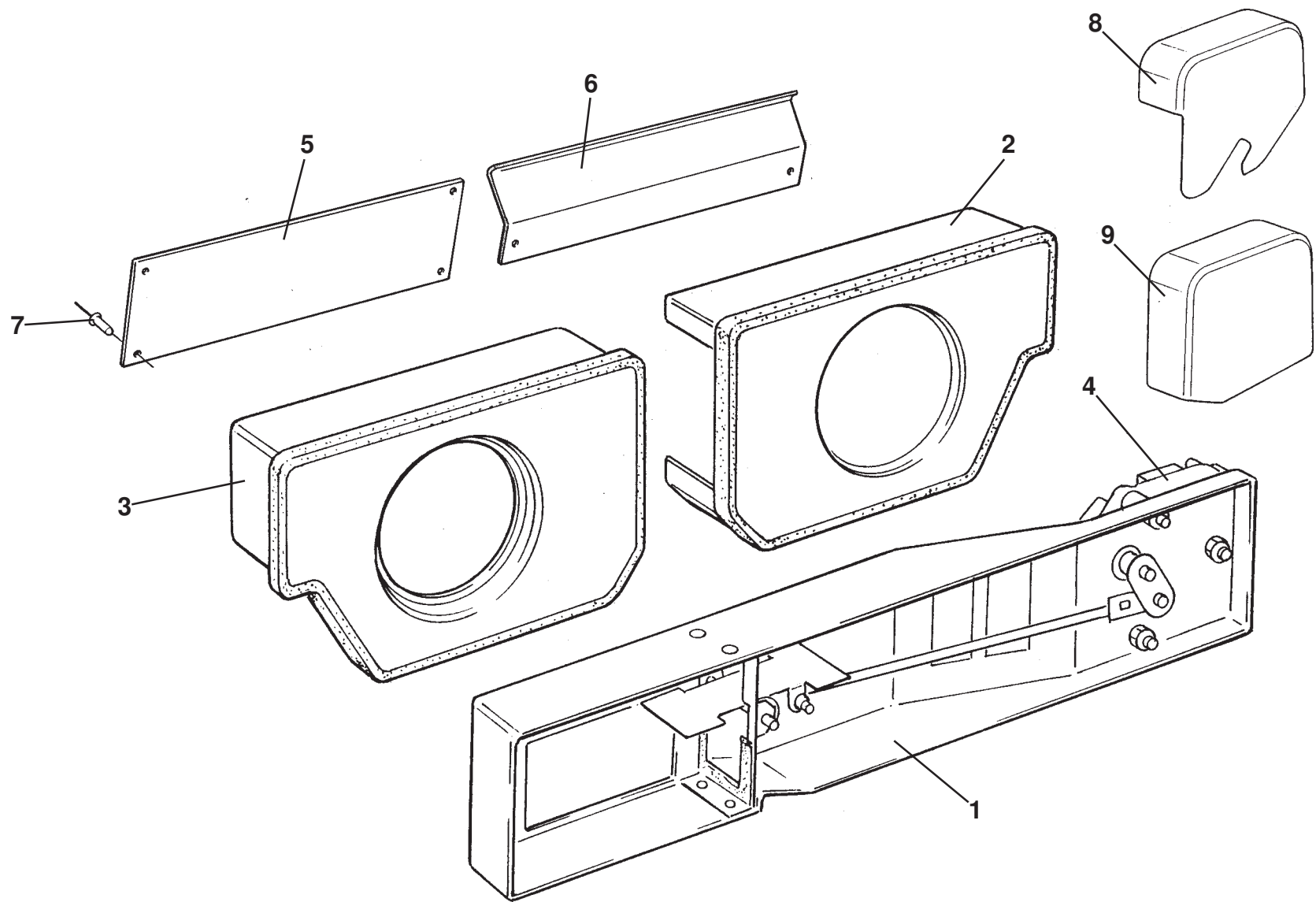
**EUROPA**

**18.13**

---

**Function Code 18.13 Air Trunking, Ducts & Ventilators**

<u>Dep</u>	<u>Part Description</u>	<u>Remarks</u>	<u>Option</u>	<u>Part Number</u>	<u>Qty</u>
01	Deflector, footwell, RHD			A120P0016F	1
01a	Deflector, footwell, LHD			A120P0017F	1
02	Face Level Vent			A124U0152F	4
03	Blanking Panel, FVL plenum, LHD/RHD	Bond to plenum to make LHD or RHD assembly		A117P0084K	1
04	Duct, side FLV, RH			A121U0028F	1
05	Duct, side FLV, LH			A121U0027F	1
06	Duct, intermediate, FLV centre	Includes foam gasket		A121U0029F	1
07	Duct, FLV centre			B121P0002H	1
08	Foam Seal, self adhesive, 19 x 3mm, duct/FLV sealing			A082U6067F	As req.
09	Gasket, FLV			A121V0006H	4
10	Duct, air distribution, demist	Part of fascia top panel assy.		A121P0001H	1
11	Screw, self tap., No.10 x 3/4", ducts to panels			A075W5040Z	28



EUROPA

18.14

# Service Parts List

# EUROPA



## Function Code 18.14 AC Air Recirculation System

<u>Dep</u>	<u>Part Description</u>	<u>Remarks</u>	<u>Option</u>	<u>Part Number</u>	<u>Qty</u>
01	Intake Duct/Fresh Air Flap Assembly, LHD		AC cars	A117P0089F	1
01a	Intake Duct/Fresh Air Flap Assembly, RHD		AC cars	A117P0088F	1
01b	Intake Duct, heater, LHD		Heater cars	A117P0134F	1
01c	Intake Duct, heater, RHD		Heater cars	A117P0135F	1
02	Recirc. Air Plenum, LH, RHD	Without aperture	AC cars	A120P0011F	1
02a	Recirc. Air Plenum, LH, LHD	With aperture	AC cars	B117P0037F	1
03	Recirc. Air Plenum, RH, RHD	With aperture	AC cars	B117P0036F	1
03a	Recirc. Air Plenum, RH, LHD	Without aperture	AC cars	A120P0012F	1
04	Actuator, fresh air flap		AC cars	A117M6052S	1
05	Blanking Panel, alloy	Driver footwell	AC cars	A117P0123F	1
06	Deflector Panel, alloy	Passenger footwell	AC cars	A117P0126F	1
07	Pop Rivet, panels to chassis		AC cars	A111W6613F	6
08	Cover, actuator, RHD		AC cars	A117P0159K	1
09	Cover, actuator, LHD		AC cars	A117P0160K	1

EUROPA

Function Code: 18.14, Page: 1

Updated 24th January 2013

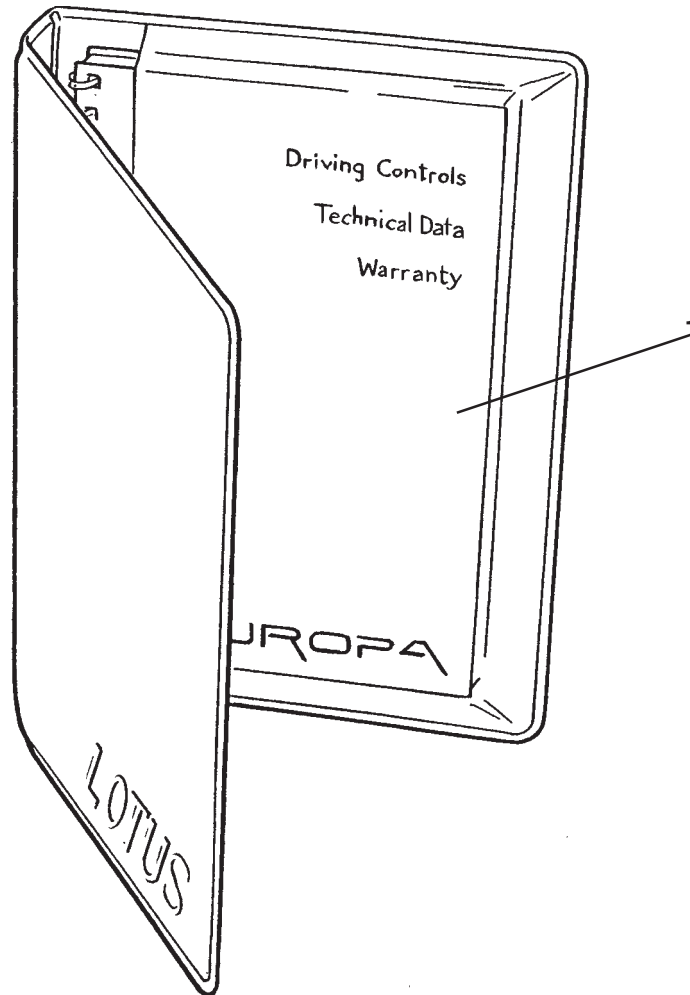


---

**Function Code 19.01 Labels,Certificates, Literature etc.**

<u>Dep</u>	<u>Part Description</u>	<u>Remarks</u>	<u>Option</u>	<u>Part Number</u>	<u>Qty</u>
01	Certificate of Conformity	Contact Lotus Type Approval	All models/markets	Not listed	1
02	Label, VIN	Special order only		Not listed	1
03	Label, 'E' mark			A124U0088F	1
04	Label, jacking point			A111U0239F	2
05	Label, luggage loading			A111U0007F	1
06	Label, SIR warning	On battery cover		A082U7350F	1
07	Label, battery warning	On battery cover		A075M6143F	1
08	Label, shear panel warning	On shear panel & fuel tank		A111A0213F	2
09	Label, fuel consumption		Australia	A124U0098F	1
10	Label, child seat warning, RHD			B124U0094F	1
10a	Label, child seat warning, LHD			B124U0095F	1
11	Label, headlamp levelling			B082U7039F	1
12	Label, tyre loading		Australia	A124U0089F	1



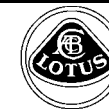


EUROPA

19.03

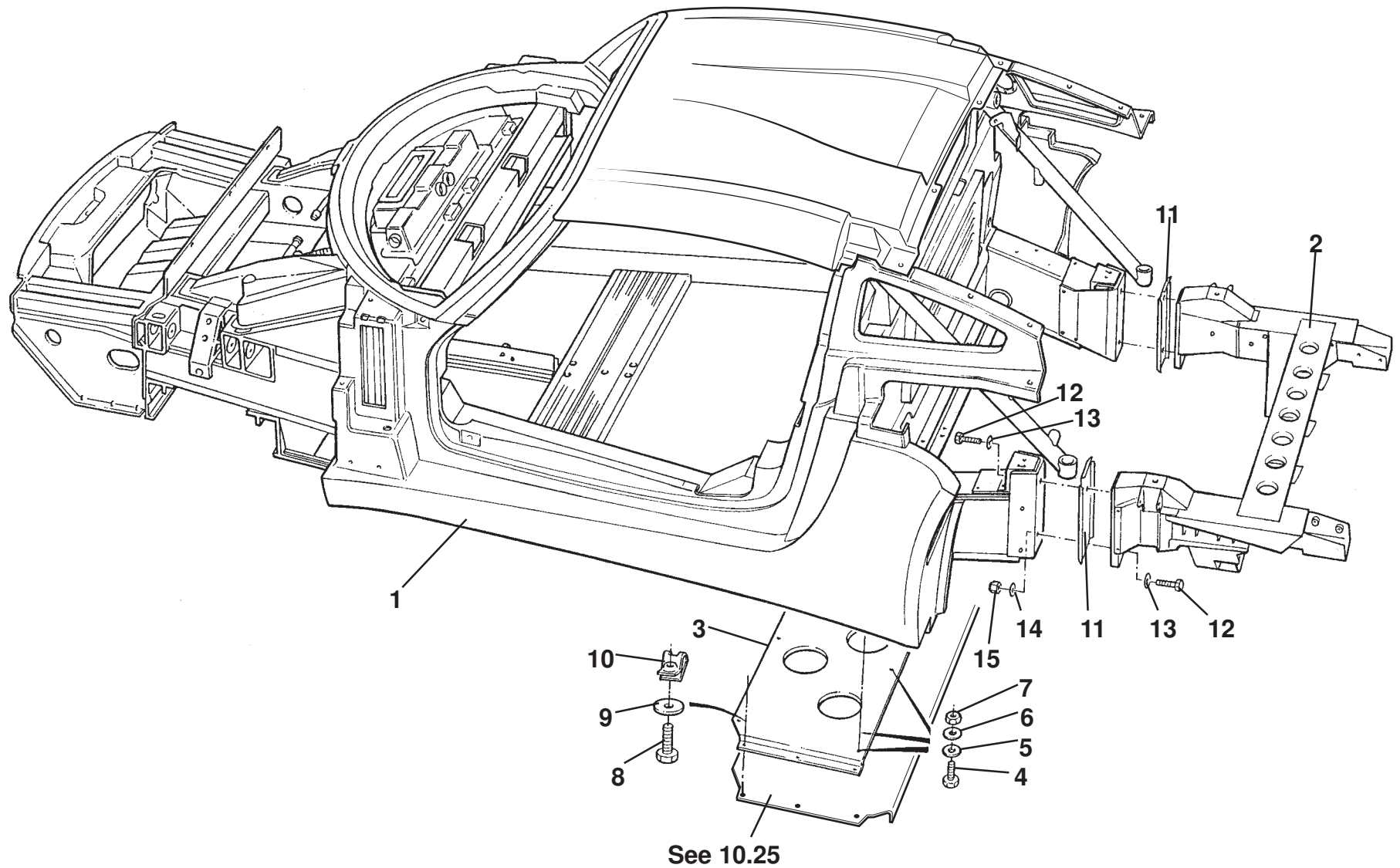
# Service Parts List

# EUROPA



## Function Code 19.03 Owner's Handbooks & Service Notes Manuals

<u>Dep</u>	<u>Part Description</u>	<u>Remarks</u>	<u>Option</u>	<u>Part Number</u>	<u>Qty</u>
01	Owner's Handbook	Includes maintenance record		A124T0324J	1
01a	Maintenance Record	P/O Item 1		A124T0324M	1
02	Service Notes	Not illustrated		A124T0327J	1
03	Service Notes, engine section	Not illustrated		B124T0327J	1
04	Service Parts List	Limited stock		A124T0325J	1
05	Labour Time Schedule	Limited stock		A124T0328J	1



**EUROPA**

**30.01**

*Updated 1st July 2014*

# Service Parts List

# EUROPA



## Function Code 30.01 Chassis, Subframes

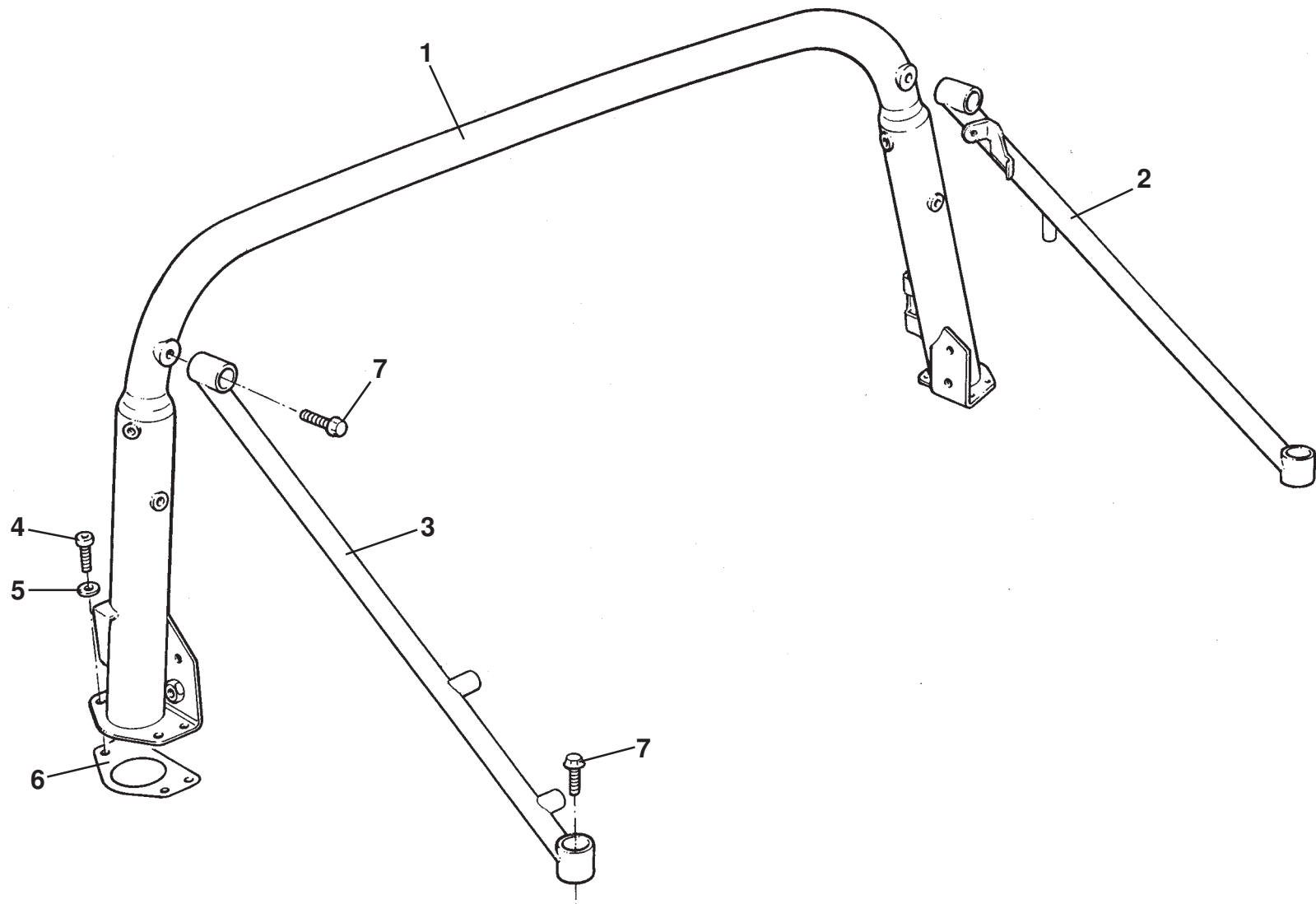
<u>Dep</u>	<u>Part Description</u>	<u>Remarks</u>	<u>Option</u>	<u>Part Number</u>	<u>Qty</u>
01	Partial Body Assembly, AC, RHD*	Includes intercooler		A124A4002S	1
01a	Partial Body Assembly, AC, LHD*	Includes intercooler		A124A4001S	1
02	Rear Sub Frame, galvanised			A124A0070F	1
03	Shear Panel, fuel tank bay closing panel			A124A0066F	1
04	Screw, M8 x 25, hex. hd., shear panel fix			A111W1156F	10
05	Washer, flat, M8 x 21 x 1.6			A111W4159F	10
06	Washer, flat, M8 x 16.6 x 1.4			A111W4164F	5
07	Nyloc Nut, M8			A907E6284F	5
08	Setscrew, M5 x 16, hex. hd., shear panel to chassis/sill	Also see 10.25		A111W1163F	6
09	Washer, flat, M5 x 25 x 1.4, shear panel to chassis/sill	Also see 10.25		A082W4098F	6
10	Spirenut, M5, shear panel to chassis/sill	Also see 10.25		B100W6372F	6
11	Shim, subframe to chassis			A116A0076F	2
12	Bolt, M12 x 60, hex. hd.,subframe to chassis			A075W2070Z	4
13	Washer, flat, M12 x 23.5 x 2.3, subframe to chassis			A075W4028Z	4
14	Washer, flat, M12 x 24 x 1.6, subframe to chassis lower			A075W4071F	2
15	Nyloc Nut, M12, subframe to chassis lower			A075W3012Z	2
16	Grommet, blanking, unused steering column hole	Not illustrated		A117W6783F	1

\*Use order form LSL631

EUROPA

Function Code: 30.01, Page: 1

Updated 2nd March 2015



EUROPA

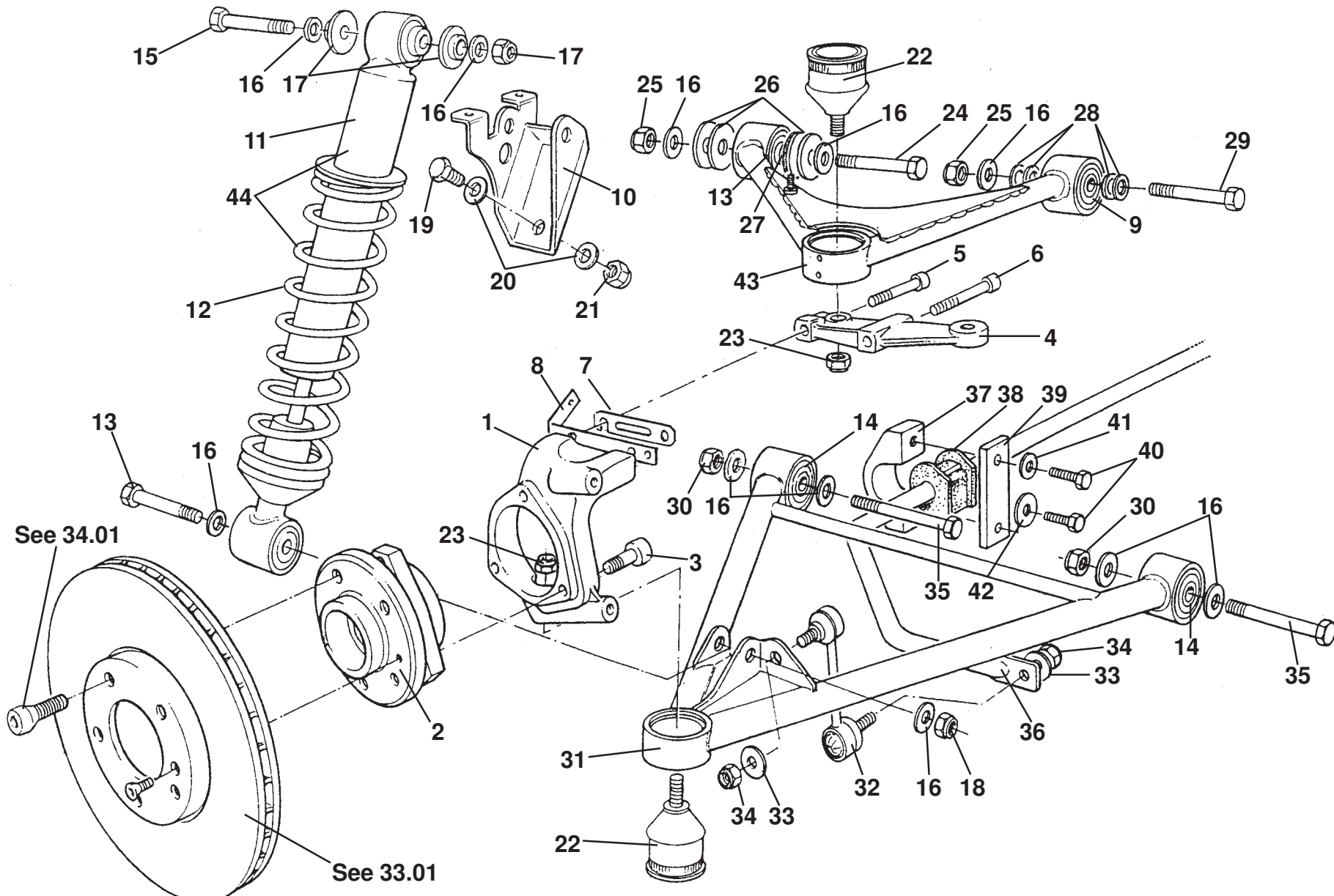
30.02

---

**Function Code 30.02 Seat Belt Mounting Frames, Stays**

<u>Dep</u>	<u>Part Description</u>	<u>Remarks</u>	<u>Option</u>	<u>Part Number</u>	<u>Qty</u>
01	Seat Belt Mounting Frame			B124A0034F	1
02	Backstay, frame, LH			A124A0025F	1
03	Backstay, frame, RH			B124A0024F	1
04	Screw, M8 x 25, cap hd., frame to chassis			A111W7132F	8
05	Washer, flat, M8 x 16.6 x 1.4, frame to chassis			A075W4020Z	8
06	Shim, base plate, 2.0mm			B111A0071F	2
06a	Shim, base plate, 3.0mm			A116A0164F	2
06b	Shim, base plate, 4.0mm			A116A0165F	2
06c	Shim, base plate, 5.0mm			A116A0166F	2
07	Screw, M10 x 35, flg. hd., stay fixing			A116W5247F	4
08	Permabond A130	Not illustrated, for use with screws, item: 4		A912E7034F	As req.

---



**EUROPA**  
**31.01**

# Service Parts List

# EUROPA



## Function Code 31.01 Front Suspension, Incl. Hubs

<u>Dep</u>	<u>Part Description</u>	<u>Remarks</u>	<u>Option</u>	<u>Part Number</u>	<u>Qty</u>
01	Hub Carrier, LH			A116C0001F	1
01a	Hub Carrier, RH			A116C0002F	1
02	Hub/Bearing Assembly, with wheel speed sensor			A116D6004F	2
03	Screw, M12 x 45, hex. hd., hub assy. to hub carrier			A116W2192F	6
04	Steering Arm, LH			A116C0003F	1
04a	Steering Arm, RH			A116C0004F	1
05	Bolt, M10 x 40, 10.9G, cap hd., steering arm to hub carrier			A117W7211F	2
06	Bolt, M10 x 60, 10.9G, cap hd., steering arm to hub carrier			A117W7213F	2
07	Shim, 1mm, camber adjustment			A111C0062F	As req.
07a	Shim, 3mm, camber adjustment			A111C0064F	AS req.
08	Shim/Bracket, connector retaining, LH			B116C0013F	1
08a	Shim/Bracket, connector retaining, RH			B116C0012F	1
09	Bush, upper wishbone rear pivot			A116C0035F	2
10	Damper/ABS Unit Mounting Bracket, LH, LHD			A116C0011F	1
10a	Damper/ABS Unit Mounting Bracket, RH,			B116C0010F	1
10b	Damper Mounting Bracket, LH, RHD			A111C0033F	1
10c	Damper Mounting Bracket, RH, LHD			A111C0034F	1
11	Damper		Europa S	D124C0004H	2

EUROPA

Function Code: 31.01, Page: 1

Updated 4th November 2011

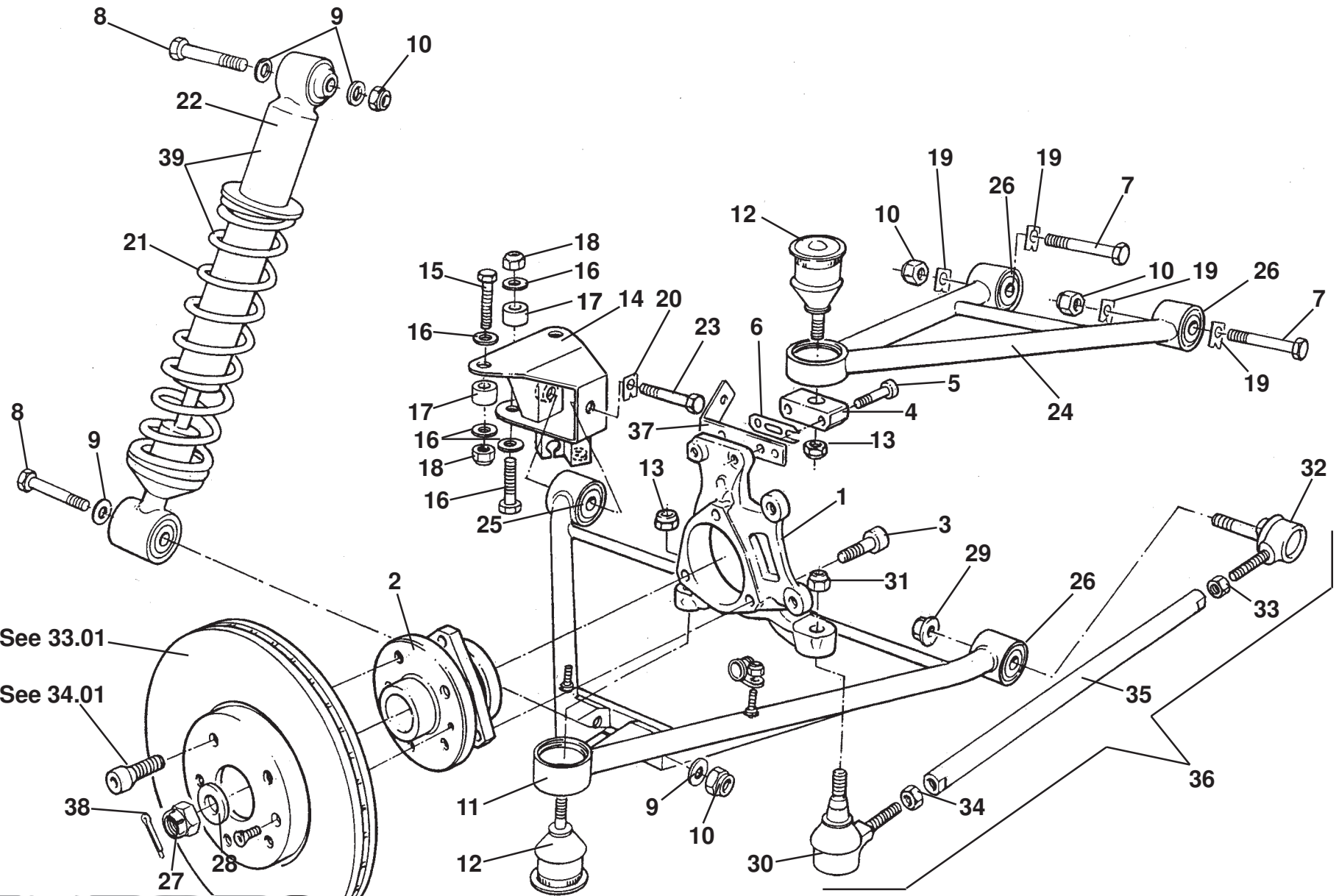


**Function Code 31.01 Front Suspension, Incl. Hubs**

<u>Dep</u>	<u>Part Description</u>	<u>Remarks</u>	<u>Option</u>	<u>Part Number</u>	<u>Qty</u>
11a	Damper, SE		Europa SE	A124C0012H	2
12	Road Spring		Europa S	A116C0034H	2
12a	Road Spring, SE		Europa SE	A122C0008H	2
13	Bolt, M10 x 55, hex. hd., damper bottom fix.			A079W2057F	2
14	Bush, lower wishbone/upper wishbone front pivots	Replace in car sets		A116C0068F	6
15	Bolt, M10 x 70, hex. hd., damper top fix.			A075W2058Z	2
16	Washer, flat, M10 x 21 x 2	Black finish		B111W4163F	22
16	Washer, flat, M10 x 21 x 2	Black finish		B111W4163F	22
17	Spacer, damper to top mounting bracket			A111C0061F	4
18	Nyloc Nut, M10, damper fixings			A100W3112F	4
19	Bolt, M8 x 25, hex, hd., bracket to chassis			A111W1156F	4
20	Washer, flat, M8 x 16.6, bracket to chassis			A111W4164F	4
21	Nyloc Nut, M8, bracket to chassis			A075W3010Z	4
22	Ball Joint			B111C6012F	4
23	Nyloc Nut, M12 x 1.5, ball joint			A100C6019F	2
24	Pivot Bolt, M10 x 80, hex. hd., wishbone upper front			A075W2061Z	2
25	Nyloc Nut, M10, wishbone upper to chassis			A100W3112F	4
26	Shim, castor adjustment			A111C0077F	6
27	Snubber Washer, rubber coated, upper wishbone			A111C0081F	2
28	Shim, castor adjustment, small			A111C0080F	8
29	Pivot Bolt, M10 x 75mm, hex. hd., wishbone upper rear			A075W2059Z	2

**Function Code 31.01 Front Suspension, Incl. Hubs**

<u>Dep</u>	<u>Part Description</u>	<u>Remarks</u>	<u>Option</u>	<u>Part Number</u>	<u>Qty</u>
30	Nyloc Nut, M10, wishbone lower to chassis fix			A100W3112F	4
31	Wishbone Assembly, lower, LH	Includes balljoint & bushes		A116C0027J	1
31a	Wishbone Assembly, lower, RH	Includes balljoint & bushes		A116C0028J	1
32	Anti-Roll Bar Drop Link			A111C0063F	2
33	Washer, flat, M10 x 24 x 1.5, drop link fix			A075W4023F	4
34	Nyloc Nut, M10 x 1.25, drop link fix			A111W3152F	4
35	Pivot Bolt, M10 x 85, hex. hd., wishbone lower			A079W2063F	4
36	Anti-Roll Bar		Europa S	A124C0009F	1
36a	Anti-Roll Bar, SE		Europa SE	A120C0023F	1
37	Clamp Bracket, A/R bar			A111C0107F	2
38	Pivot Bush, rubber, A/R bar.			A111C0094F	2
38	Pivot Bush, rubber, A/R bar.			A111C0094F	2
39	Spacer Plate, A/R bar fixing			A111C0109F	2
40	Screw, M8 x 30, A/R bar clamp bracket fixing			A111W1161F	4
41	Washer, flat, M8 x 16.5 x 1.6, bracket to chassis upper			A111W4175F	2
42	Washer, flat, M8 x 25 x 1.4, bracket to chassis lower			A111W4156F	2
43	Wishbone Assembly, upper, LH			A116C0025J	1
43a	Wishbone Assembly, upper, RH			A116C0026J	1
44	Spring/Damper Assembly		Europa S	C124C0002F	2



See 33.01  
 See 34.01

**EUROPA**  
**31.03**

# Service Parts List

# EUROPA



## Function Code 31.03 Rear Suspension, Incl. Hubs

<u>Dep</u>	<u>Part Description</u>	<u>Remarks</u>	<u>Option</u>	<u>Part Number</u>	<u>Qty</u>
01	Hub Carrier, LH			A116D0097F	1
01a	Hub Carrier, RH			A116D0096F	1
02	Hub/Bearing Assembly, with wheel speed sensor			A116D6004F	2
03	Screw, M12 x 40, cap hd., hub assy. to hub carrier			A116W1170F	6
04	Ball Joint Carrier			A117D0067F	2
05	Bolt, M10 x 50, 10.9G, cap hd., carrier to hub carrier			A117W7212F	4
06	Shim, camber adjustment			D111D0052F	As req.
07	Pivot Bolt, M10 x 55, hex. hd., upper wishbone F & R			A079W2057F	4
08	Bolt, M10 x 55, hex. hd., damper fixing			A079W2057F	4
09	Washer, flat, M10 x 21 x 2, damper fixing	Black finish		B111W4163F	8
10	Nyloc Nut, M10, 8.8 grade, damper/upper wishbone fixing			A100W3112F	8
11	Wishbone Assembly, lower, LH	Includes balljoint & bushes		C116D0081J	1
11a	Wishbone Assembly, lower, RH	Includes balljoint & bushes		C116D0080J	1
12	Ball Joint			B111C6012F	4
13	Nyloc Nut, M12 x 1.5, balljoint			A100C6019F	4
14	Bracket, lower wishbone to chassis, LH			A124D0011F	1
14a	Bracket, lower wishbone to chassis, RH			A124D0010F	1
15	Bolt, M10 x 40, bracket to chassis			A116W2206F	8

EUROPA

Function Code: 31.03, Page: 1

*Updated 1st August 2013*

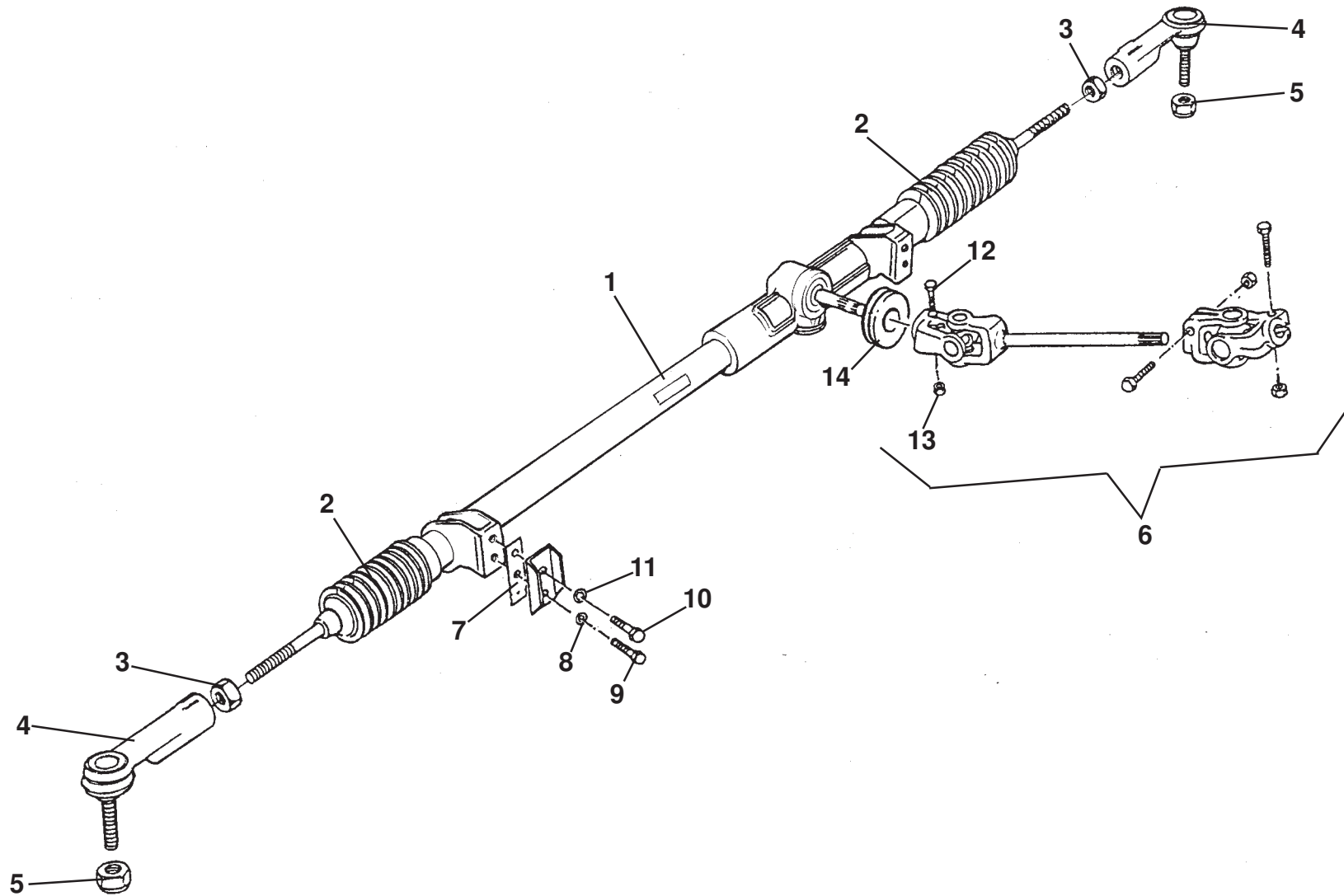
**Function Code 31.03 Rear Suspension, Incl. Hubs**

<u>Dep</u>	<u>Part Description</u>	<u>Remarks</u>	<u>Option</u>	<u>Part Number</u>	<u>Qty</u>
16	Washer, flat, M10 x 21 x 2, bracket to chassis	Black finish		B111W4163F	8
17	Spacer, M10, bracket to chassis			A111D0147F	8
18	Nyloc Nut, M10, bracket to chassis			A100W3112F	8
19	Tab Washer, upper pivot bolts			B116D0031F	8
20	Tab Washer, lower front pivot bolt			A116D0032F	2
21	Road Spring		Europa S	B124D0016H	2
21a	Road Spring, SE		Europa SE	A122D0004H	2
22	Damper		Europa S	D124D0003H	2
22a	Damper, SE		Europa SE	A120D0011H	2
23	Pivot Bolt, M10 x 65, hex. hd., lower wishbone front			A075W2056Z	2
24	Wishbone Assembly, upper, LH	Includes balljoint & bushes		B116D0085J	1
24a	Wishbone Assembly, upper, RH	Includes balljoint & bushes		B116D0084J	1
25	Bush, lower wishbone front pivot (short)			A116C0067F	4
26	Bush, lower wishbone rear/upper wishbones	Replace in car sets		A116C0068F	6
27	Nut, castellated, shaft to hub			A116D6001F	2
28	Washer, flat, nut to shaft			A082D6025F	2
29	Locknut, flange, cleave, M10 x 1.25, inner toe link fixing			A117W3189F	2
30	Ball Joint, tapered, outer, RH thread, M10 x 1.25 x 45 stud			A117D0089S	2
31	Nyloc Nut, M12, balljoint to hub carrier			A100C6019F	2
32	Ball Joint, inner, LH thread, M10 x 1.25 x 60 stud			A117D0090S	2
33	Locknut, M12, RH thread, ball joint to rod			A111W3150F	2

---

**Function Code 31.03 Rear Suspension, Incl. Hubs**

<u>Dep</u>	<u>Part Description</u>	<u>Remarks</u>	<u>Option</u>	<u>Part Number</u>	<u>Qty</u>
34	Locknut, M12, LH thread, ball joint to rod			A111W3149F	2
35	Toe Link Rod			B116D0053S	2
36	Toe Link Assembly			A117D0088F	2
37	Shim/Bracket, connector retaining, LH			B116C0012F	1
37a	Shim/Bracket, connector retaining, RH			B116C0013F	1
38	Split Pin, nut to shaft			A116D6003F	2
39	Spring/Damper Assembly		Europa S	C124D0004F	2



EUROPA

32.01

# Service Parts List

# EUROPA



## Function Code 32.01 Rack & Pinion, & Lower Column

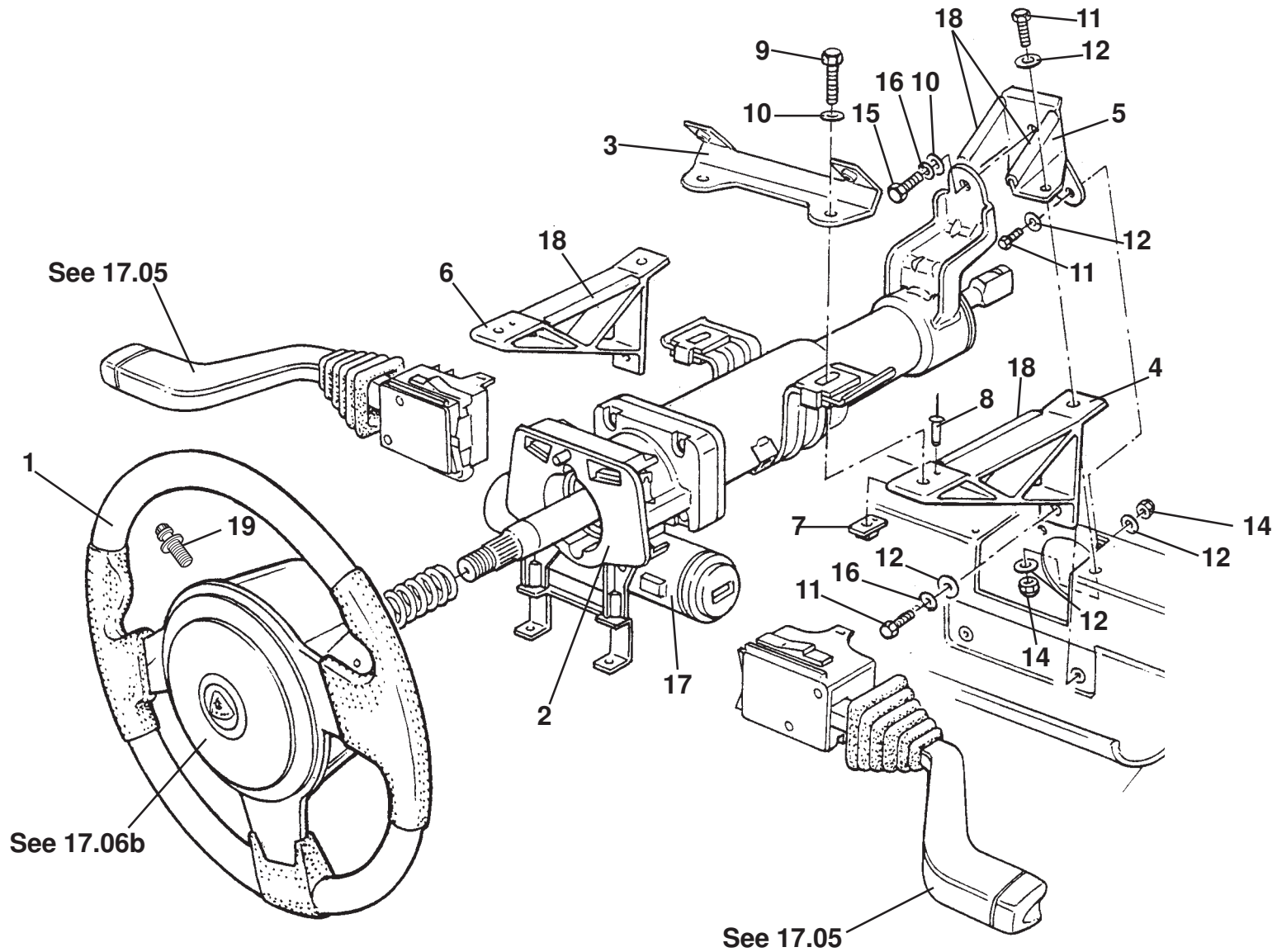
<u>Dep</u>	<u>Part Description</u>	<u>Remarks</u>	<u>Option</u>	<u>Part Number</u>	<u>Qty</u>
01	Steering Rack Assembly, RHD			A117H0052F	1
01a	Steering Rack Assembly, LHD			A117H0053F	1
02	Gaiter, steering rack			B111H6016F	2
03	Lock Nut, M12 , track rod end to track rod			A111W3124F	2
04	Track Rod End/Ball Joint	Includes nut, item: 5		A117H0009F	2
05	Nyloc Nut, M10, track rod end to steering arm			A111W3152F	2
06	Intermediate Steering Shaft Assembly	Includes both universal joints		D111H0003F	1
07	Adjuster Plate, rack height setting (10 notch)			A111H0021F	2
08	Washer, flat, M8, rack mounting			A075W4020Z	2
09	Setscrew, M8 x 25, hex. hd., rack mounting			A082W1110F	2
10	Setscrew, M10 x 30, hex. hd., rack mounting			A100A6028F	2
11	Washer, flat, M10, rack mounting			A075W4024Z	2
13	Nyloc Nut, M8, steering shaft to U/J			A075W3010Z	4
14	Grommet, steering shaft thro' bulkhead			A120H0002F	1

EUROPA

Function Code: 32.01, Page: 1

*Updated 4th April 2013*





**EUROPA**  
**32.05**

*Updated 16th July 2012*

# Service Parts List

# EUROPA



## Function Code 32.05 Upper Column, Steering Wheel

<u>Dep</u>	<u>Part Description</u>	<u>Remarks</u>	<u>Option</u>	<u>Part Number</u>	<u>Qty</u>
01	Steering Wheel Assembly, SIR	Includes rotary connector		A116U0085F	1
02	Upper Steering Column	Includes ign. switch/steering lock		A117H6001F	1
03	Bracket, switch module mounting			A121H0001F	1
04	Column Mounting Bracket, RH			E117U0016F	1
05	Bracket, forward column mounting			B111H0004F	1
06	Column Mounting Bracket, LH			E117U0135F	1
07	Nutplate, upper column support			B111H0007F	2
08	Pop Rivet, nutplate to bracket			A111W6586F	2
09	Bolt, M8 x 35, hex. hd., column to bracket			A075W2038D	2
10	Washer, flat, M8 x 20 x 2.5, bracket fixings			A079W4019F	3
11	Setscrew, M6 x 16, hex. hd., forward bracket to chassis			A075W1028Z	4
12	Washer, flat, M6 x 12.1 x 1.4, bracket fixings			A075W4013Z	8
13	Washer, spring, M6			A075W4035Z	2
14	Nyloc Nut, M6, bracket fixing			A907E6258F	4
15	Setscrew, M8 x 16 hex. hd., front mounting			A075W1036Z	1
16	Washer, spring, M8			A075W4036Z	1
17	Steering Lock Housing	For lock barrel, see 10.17, item 1		A111H6003S	1
18	Rubber Beading, bracket edge protection			B075U6054V	0.3M

EUROPA

Function Code: 32.05, Page: 1

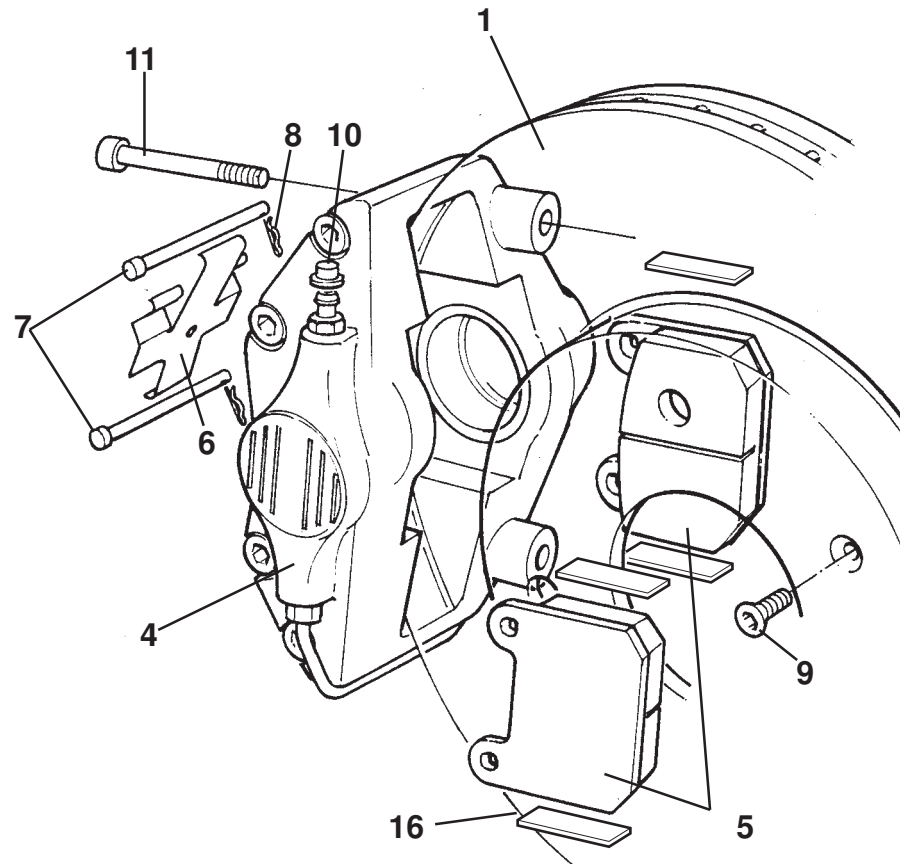
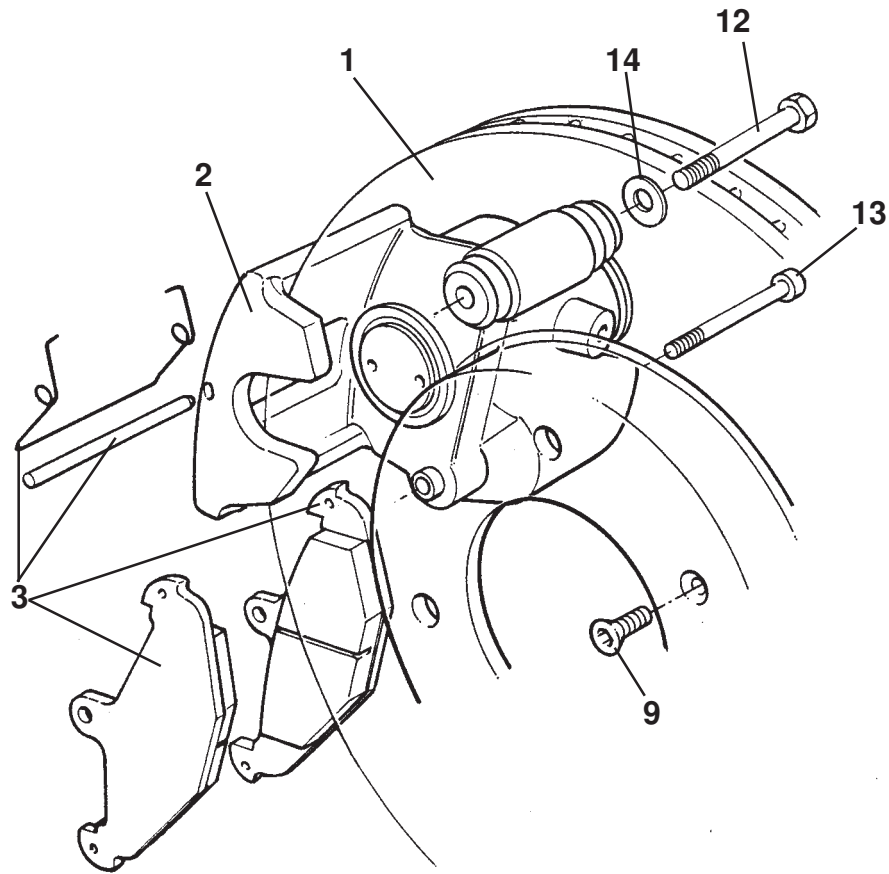
Updated 5th January 2015

---

**Function Code 32.05 Upper Column, Steering Wheel**

<u>Dep</u>	<u>Part Description</u>	<u>Remarks</u>	<u>Option</u>	<u>Part Number</u>	<u>Qty</u>
19	Shear Bolt, steering lock			A111H6026S	2

---



**EUROPA**  
**33.01**

*Updated 15th March 2012*

# Service Parts List

# EUROPA



## Function Code 33.01 Brake Discs, Calipers, & Parking Brake Assembly

<u>Dep</u>	<u>Part Description</u>	<u>Remarks</u>	<u>Option</u>	<u>Part Number</u>	<u>Qty</u>
01	Brake Disc			A116J0060F	4
01a	Brake Disc, cross drilled		Optional	A116J0076F	4
01b	Brake Disc, cross drilled, LH		SE	A124J4001F	1
01c	Brake Disc, cross drilled, RH		SE	A124J4002F	1
02	Brake Caliper, rear, RH	Includes brake pads, T4139		A116J0080F	1
02a	Brake Caliper, rear, RH	No brake pads		B116J0082S	1
02b	Brake Caliper, rear, LH	Includes brake pads, T4139		A116J0079F	1
02c	Brake Caliper, rear, LH	No brake pads		B116J0081S	1
03	Brake Pad Set, rear			B117J0085S	1
04	Brake Caliper, front RH	Includes brake pads, T4139		A116J0078F	1
04a	Brake Caliper, front RH		SE	A120J4002F	1
04b	Brake Caliper, front LH	Includes brake pads, T4139		A116J0077F	1
04c	Brake Caliper, front LH		SE	A120J4001F	1
05	Brake Pad Set, front			B117J0084S	1
05a	Brake Pad Set, front		SE	A120J0051S	1
05b	Shims, metal, pad front, RH	Not illustrated		A117J0114H	1
05c	Shims, metal, pad front, LH	Not illustrated		A117J0115H	1
06	Anti-Rattle Spring, front brake pads			B111J0098H	2

EUROPA

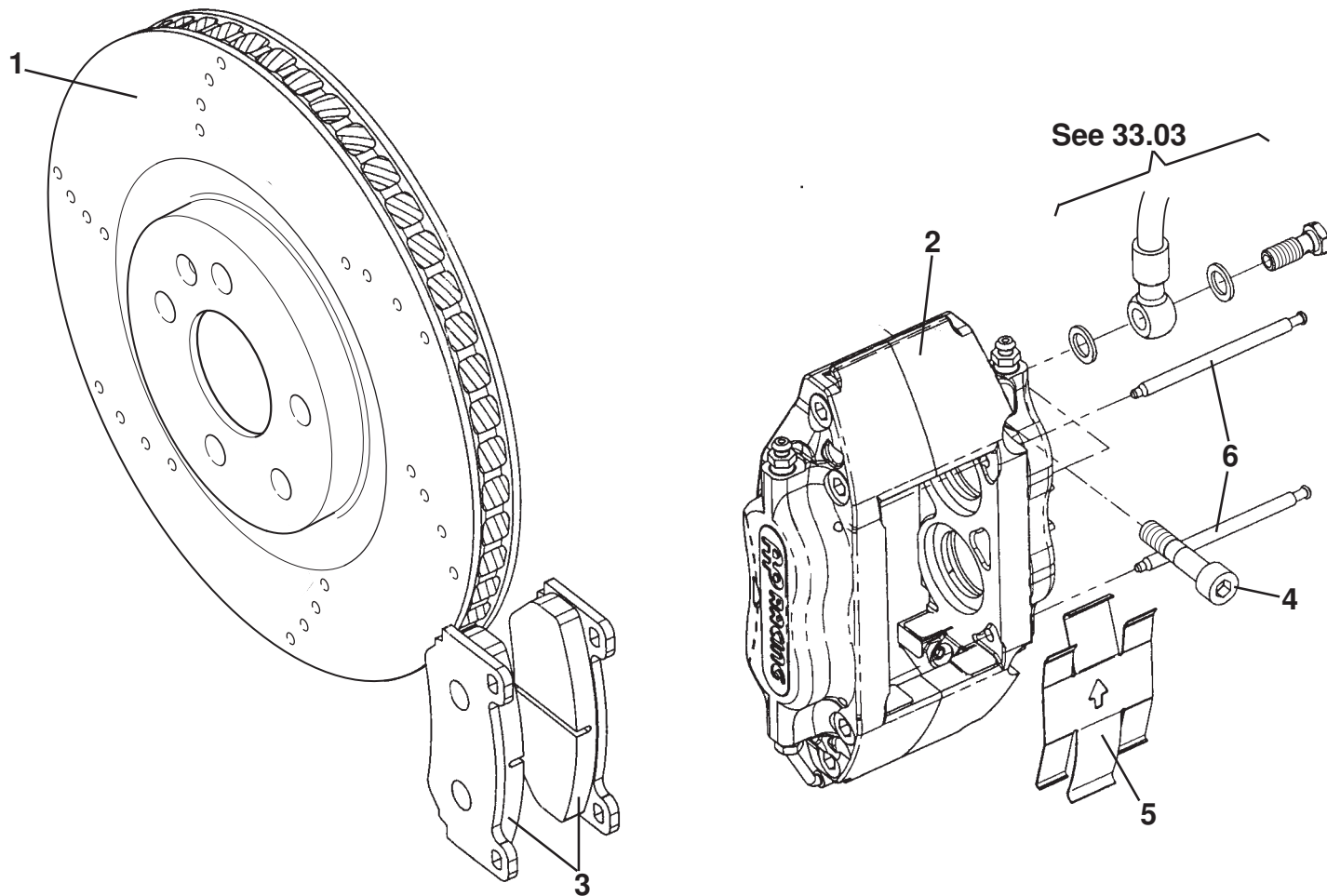
Function Code: 33.01, Page: 1

*Updated 3rd April 2017*

---

**Function Code 33.01 Brake Discs, Calipers, & Parking Brake Assembly**

<u>Dep</u>	<u>Part Description</u>	<u>Remarks</u>	<u>Option</u>	<u>Part Number</u>	<u>Qty</u>
07	Pin, front pad retaining			B111J0123H	4
08	' R' clip, pin retention			A075W6175F	4
09	Screw, M6 x 16, csk., skt., hd., disc to hub			A918W7120F	4
10	Nipple Cover, front brake bleed			A111J6029F	2
11	Bolt, M10 x 65, cap hd., front caliper fixing			A111W7144F	4
12	Bolt, M10 x 80, hex. hd., rear caliper fixing			B082W1113F	2
13	Bolt, M8 x 60, cap hd., rear caliper fixing	Black finish		A111W1166F	2
14	Washer, flat, M10 x 20.5, rear caliper upper fixing bolt			A075W4024Z	2
15	Sliding Pin Bush Kit, rear calipers	Includes sleeves, boots & seals		A082J6162S	2
16	Buffer, front brake pads			A111J6030S	4
17	Piston Retraction Tool, rear calipers	Not illustrated		T000T1242F	1



**EUROPA**

**33.01a**

*Updated 15th April 2011*

# Service Parts List

# EUROPA



## Function Code 33.01a Brake Discs & Calipers, AP Racing options, front

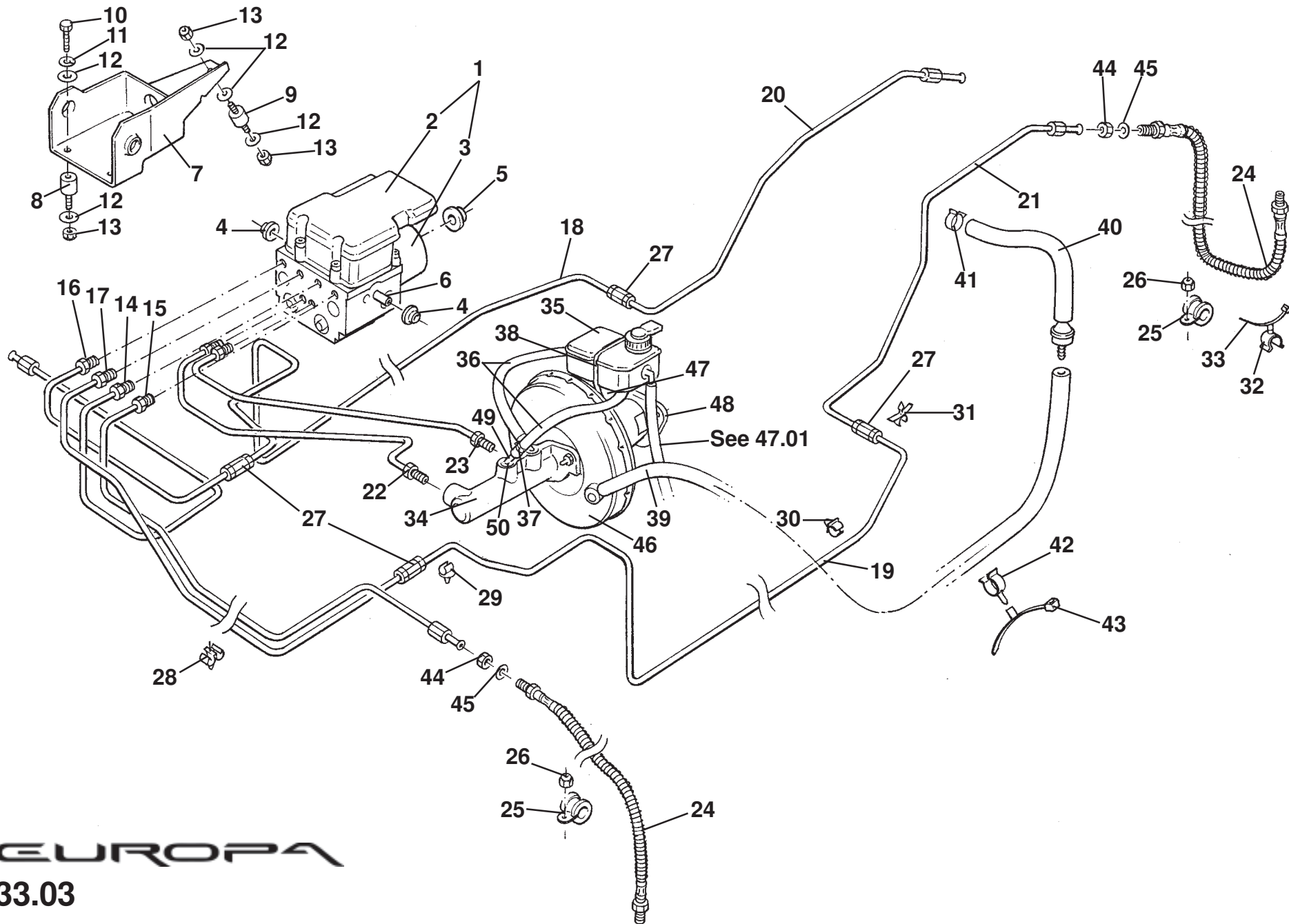
<u>Dep</u>	<u>Part Description</u>	<u>Remarks</u>	<u>Option</u>	<u>Part Number</u>	<u>Qty</u>
01a	Disc, single piece, 308mm dia. LH		Europa SE	A124J4001F	1
01b	Disc, single piece, 308mm dia. RH	Not illustrated	Europa SE	A124J4002F	1
02	Caliper, four piston, LH, no adaptor	(incl. pads)	Europa SE	A120J4001F	1
02a	Caliper, four piston, RH, no adaptor	Not illustrated (incl. pads)	Europa SE	A120J4002F	1
03	Brake Pad Set, front, Ferodo DS25HP, 14.5mm thick		Europa SE	A120J0051S	1
04	Bolt, M10 x 85, cap hd., front caliper fixing		Europa SE	A120W2215F	4
05	Clip, anti-rattle		Europa SE	A120J6024S	2
06	Pin, pad retaining		Europa SE	A120J6025S	4
07	Brake Pad Set, rear, Ferodo DS25HP	Not illustrated	Europa SE	A120J6014F	1

EUROPA

Function Code: 33.01a, Page: 1

*Updated 15th April 2011*



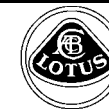


**EUROPA**

**33.03**

# Service Parts List

# EUROPA



## Function Code 33.03 Master Cylinder, Servo, ABS Controller, Pipes & Hoses

<u>Dep</u>	<u>Part Description</u>	<u>Remarks</u>	<u>Option</u>	<u>Part Number</u>	<u>Qty</u>
01	ABS Control Module			B116J6000F	1
01a	ABS Control Module		Europa SE	A120J6000F	1
02	ECU Kit, ABS actuator			A116M0090S	1
03	HCU Kit, ABS actuator			A116M0091S	1
04	Grommet, small, module to bracket sides			A116J6001F	2
05	Grommet, large, module to bracket rear			A116J6002F	1
06	Bolts, ABS kit			A116J6003F	1
07	Bracket, ABS module mounting, RHD			A116J0002F	1
07a	Bracket, ABS module mounting, LHD			A116J0001F	1
08	Rubber Bobbin, bracket to mount	One stud, one tapped insert		A082J6177F	2
09	Rubber Isolator Bush, bracket to body	Two studs		A082J6170F	1
10	Screw, M6 x 10, hex. hd., bobbin to bracket			A075W1026Z	2
11	Washer, spring, M6, bobbin to bracket			A075W4035Z	2
12	Washer, flat, M6 x 15, bobbin to bracket			A075W1029Z	6
13	Nyloc Nut, M6, bobbin fix.			A075W3009Z	4
14	Pipe, ABS to front RH, RHD			B116J0017F	1
14a	Pipe, ABS to front RH, LHD			A116J0018F	1
15	Pipe, ABS to front LH, RHD			B116J0016F	1

EUROPA

Function Code: 33.03, Page: 1

*Updated 1st August 2014*

**Function Code 33.03 Master Cylinder, Servo, ABS Controller, Pipes & Hoses**

<u>Dep</u>	<u>Part Description</u>	<u>Remarks</u>	<u>Option</u>	<u>Part Number</u>	<u>Qty</u>
15a	Pipe, ABS to front LH, LHD			A116J0019F	1
16	Pipe, ABS to sill RH, RHD			B116J0020F	1
16a	Pipe, ABS to sill RH, LHD			A116J0022F	1
17	Pipe, ABS to sill LH, RHD			B116J0021F	1
17a	Pipe, ABS to sill LH, LHD			A116J0023F	1
18	Pipe, front to rear sill RH			B116J0028F	1
19	Pipe, front to rear sill LH			B116J0027F	1
20	Pipe, sill to flexi rear RH			B116J0026F	1
21	Pipe, sill to flexi rear LH			B116J0025F	1
22	Pipe, ABS to master cylinder front port, RHD			C116J0030F	1
22a	Pipe, ABS to master cylinder front port, LHD			B116J0029F	1
23	Pipe, ABS to master cylinder rear port, RHD			C116J0032F	1
23a	Pipe, ABS to master cylinder rear port, LHD			B116J0031F	1
24	Hose, pipe to caliper, front & rear			B082J4390F	4
24a	Hose, braided, pipe to caliper, front	Includes banjo bolt, sealing washers and 'P' clip	Big brake option	A120J0043F	2
24b	Hose, braided, pipe to caliper, rear		Big brake option	A120J0044F	2
25	Clip, 10mm dia. x 15 wide, hose retention	Upper front, lower rear wishbones		A111W6595F	4
26	Nyloc Nut, M6, thin Zn, clip to wishbone			A907E6285F	4
27	Connector, brake pipes			A116J6032F	4
28	Clip, double, pipes to scuttle		LHD	A116W6668F	2

**Function Code 33.03 Master Cylinder, Servo, ABS Controller, Pipes & Hoses**

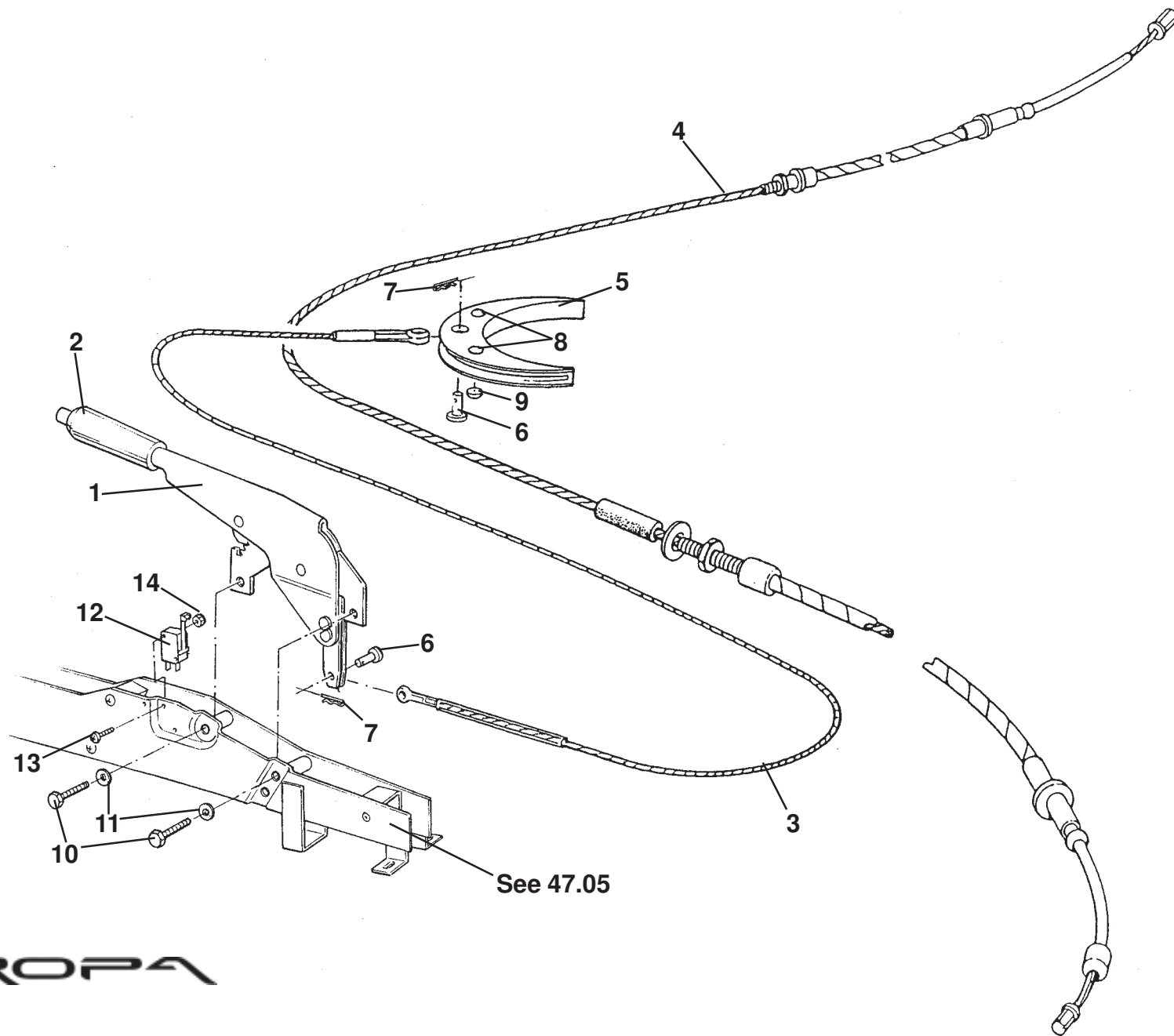
<u>Dep</u>	<u>Part Description</u>	<u>Remarks</u>	<u>Option</u>	<u>Part Number</u>	<u>Qty</u>
29	Clip, button, single, pipe to scuttle	Cut to clear extrusion		A116W6661F	2
30	Clip, single, pipe to chassis siderail			A082W6457F	8
31	Clip, single, pipe to chassis rear			A116W6700F	2
32	Swivel Clip, rear hoses to toe links			A089W6287F	2
33	Cable Tie, rear hoses to toe links			A082W6324F	2
34	Master Cylinder			A116J0047H	1
35	Brake Fluid Reservoir			A116J0048H	1
36	Hose, reservoir to master cylinder			A116J0074H	2
37	Hose Clip, hose to spigots			A116J0073H	4
38	Cable Tie, reservoir to bracket			B075W6045Z	1
39	Hose, vacuum, servo to check valve		A124J0001F R/B	B124J0001F	1
40	Hose, 90 deg., connector to check valve			A124J0002F	1
41	Hose Clamp, 14mm, hose to throttle body			A116K6017F	1
42	Swivel Clip, hose to heater pipe			A082W6587F	6
43	Cable Tie, heater pipe to hose			A082W6324F	6
44	Nut, M10 x 1.0, thin Zn, pipe to hose			A075J6017Z	4
45	Washer, M10, internal shakeproof, pipe to hose			A075W4049Z	4
46	Brake Servo			A116J0051H	1
47	Bracket, reservoir mounting, LHD			A116J0050H	1
47a	Bracket, reservoir mounting, RHD			TBA	1
48	Bracket, servo to pedal box			A116J0049H	1

---

**Function Code 33.03 Master Cylinder, Servo, ABS Controller, Pipes & Hoses**

<u>Dep</u>	<u>Part Description</u>	<u>Remarks</u>	<u>Option</u>	<u>Part Number</u>	<u>Qty</u>
49	Spigot, hoses to master cylinder			A120J6003S	2
50	Grommet, spigot to master cylinder			A120J6008S	2

---



**EUROPA**  
**33.05**

# Service Parts List

# EUROPA



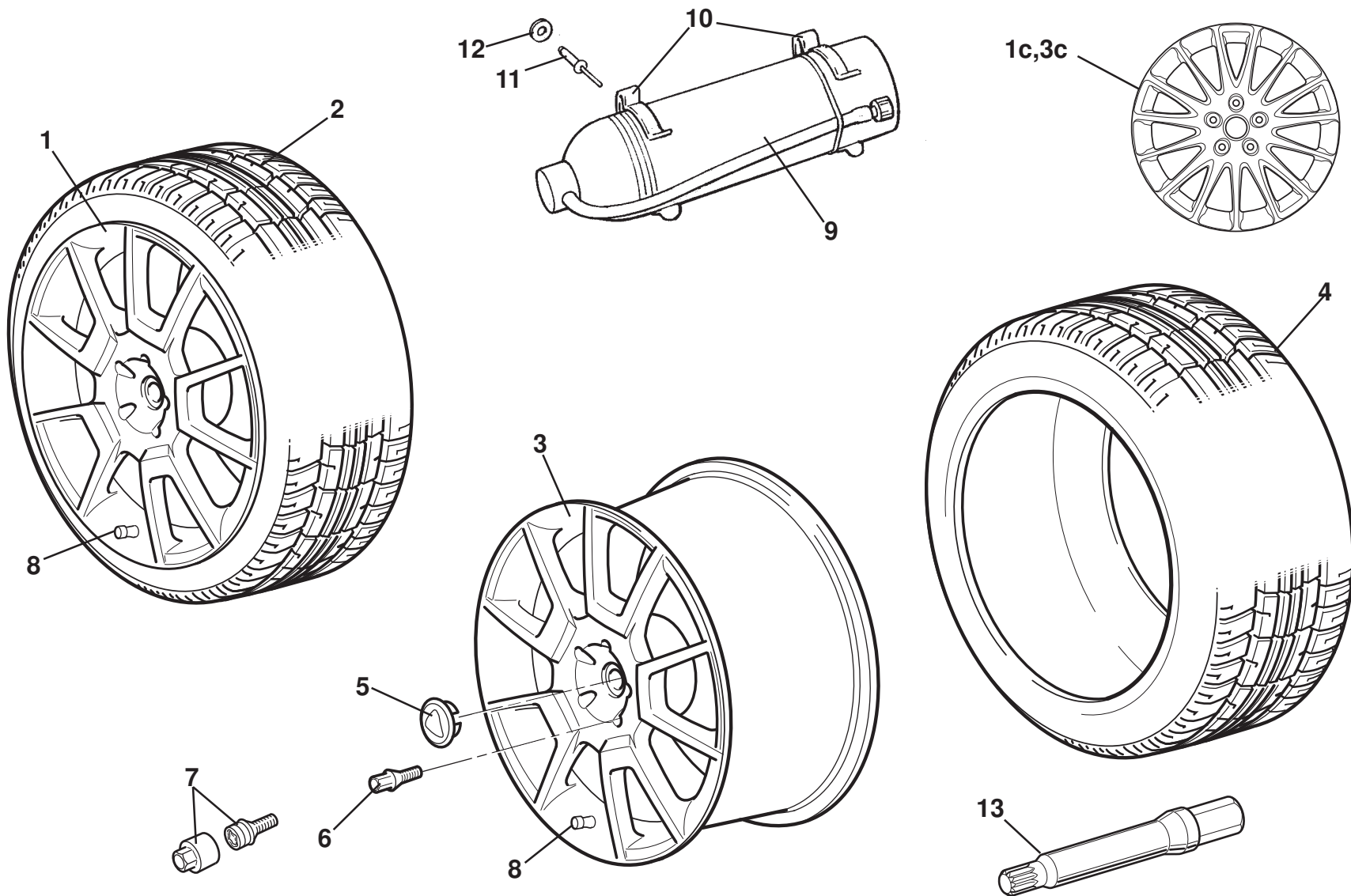
## Function Code 33.05 Parking Brake Mechanism

<u>Dep</u>	<u>Part Description</u>	<u>Remarks</u>	<u>Option</u>	<u>Part Number</u>	<u>Qty</u>
01	Parking Brake Assembly, without hand grip			A116J0015H	1
02	Hand-Grip, alloy, satin finish, parking brake lever		A116U0156F R/B	A117U0147F	1
03	Cable, parking brake primary			A116J6010H	1
04	Cable, parking brake secondary			D116J0062F	1
05	Equaliser, parking brake			A117J0120F	1
06	Clevis Pin, M8 x 10.5, cable fixing			A111W6674F	2
07	'R' Clip, pin fixing			A075W6175F	2
08	Bumper, self adhesive			A111J6025F	2
09	Bumper, self adhesive			A111J6027F	2
10	Screw, M8 x 25, hex. hd., lever to bracket			A075W1039Z	2
11	Washer, flat, M8 x 16 x1.4, lever to bracket			A075W4020Z	2
12	Switch, parking brake tell tale			A132J6060S	1
13	Screw, M3 x 16, pan hd. pozi., switch to bracket			A082W5110F	2
14	Nyloc Nut, M3, switch to bracket			A079W3060F	2

EUROPA

Function Code: 33.05, Page: 1

*Updated 5th June 2017*



**EUROPA**  
**34.01**

*Updated 16th July 2012*



# Service Parts List

# EUROPA



## Function Code 34.01 Wheels, Tyres & Valves

<u>Dep</u>	<u>Part Description</u>	<u>Remarks</u>	<u>Option</u>	<u>Part Number</u>	<u>Qty</u>
01	Road Wheel, front, ten spoke, 5.5J x 17		Europa S	A124G0001H	2
01a	Road Wheel, front, winter, 5.5J x 15	Not illustrated***	Europa S, dealer fit	B116G0009S	2
01b	Road Wheel, front, winter, 6.5J x 16	Not illustrated	Europa SE, dealer fit	A124G0008S	2
01c	Road Wheel, front, 15 spoke, 7.0 x 17		Europa SE	A124G6004F	2
02	Tyre, front, 175/55 x 17, Bridgestone Potenza		Europa S	A116G0035L	2
02a	Tyre, front, winter, 185/65 x 15, Bridgestone WT12	Not illustrated	Europa S, dealer fit	A116G0011S	2
02b	Tyre, front, winter, 195/50 x 16, Pirelli 210 Snowsport	Not illustrated	Europa SE, dealer fit	A117G0119S	2
02c	Tyre, front, 195/45 x R17, Goodyear GSD3	Not illustrated	Europa SE	A124G6006F	2
03	Road Wheel, rear, ten spoke, 7.5J x 17		Europa S	A124G0002H	2
03a	Road Wheel, rear, winter, 6.0J x 15	Not illustrated***	Europa S, dealer fit	B116G0010S	2
03b	Road Wheel, rear, winter, 7.5J x 17	Not illustrated	Europa SE, dealer fit	A124G0009S	2
03c	Road Wheel, rear, 15 spoke, 8.0 x 18		Europa SE	A124G6005F	2
04	Tyre, rear, 225/45 x 17, Bridgestone Potenza		Europa S	A116G0041L	2
04a	Tyre, rear, winter, 205/60 x 15, Bridgestone WT12	Not illustrated	Europa S, dealer fit	A116G0012S	2
04b	Tyre, rear, winter, 215/45 x 17, Pirelli 240 Snowsport	Not illustrated	Europa SE, dealer fit	A120G6001S	2
04c	Tyre, rear, 235/40 x R18, Goodyear GSD3	Not illustrated	Europa SE	A124G6007F	2
05	Wheel Centre Cover, Lotus logo			A120G0046F	4
06	Wheel Bolt, hex. Head		Europa S	A116G6001F	16

EUROPA

Function Code: 34.01, Page: 1

Updated 27th September 2012

---

**Function Code 34.01 Wheels, Tyres & Valves**

<u>Dep</u>	<u>Part Description</u>	<u>Remarks</u>	<u>Option</u>	<u>Part Number</u>	<u>Qty</u>
06a	Wheel Bolt, socket hd. 28mm thread, black	Used with AP Racing front brakes**	Europa SE	A120G6004F	20
07	Security Wheelbolt Kit	Incl. ID strip & instruction card*	Europa S	B117G0043F	1
08	Tyre Valve			A117G6007H	4
09	Tyre Weld, repair canister			A116G6009F	1
10	Terry Clip, canister retaining			A111W6590F	2
11	Pop Rivet, clip to bulkhead			A075W6090Z	4
12	Washer, flat, clip to bulkhead			A075W4084F	4
13	Wheelbolt Adaptor	For item 6a		A117G0036F	1

---

\* For replacement keys contact Technical Service, quoting ID

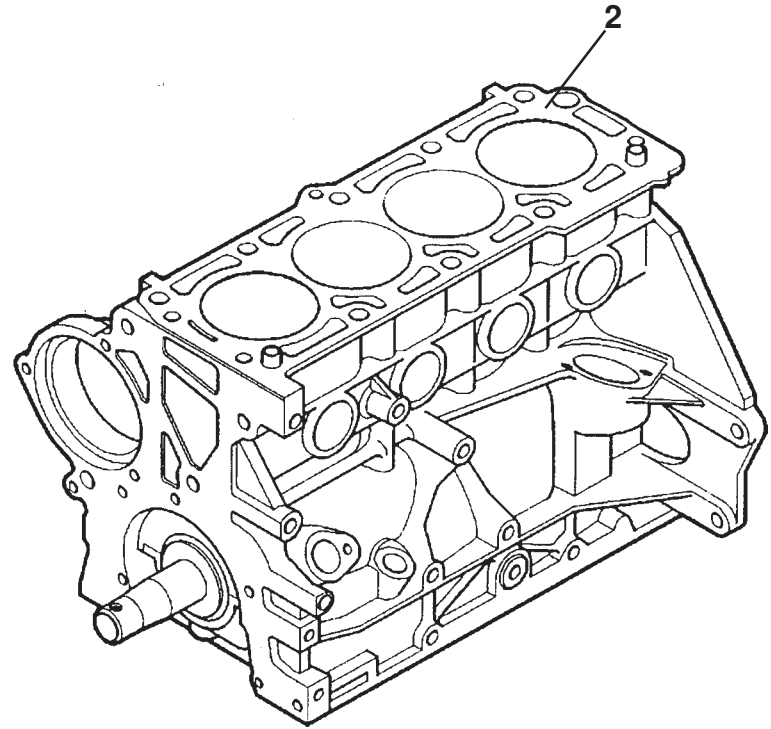
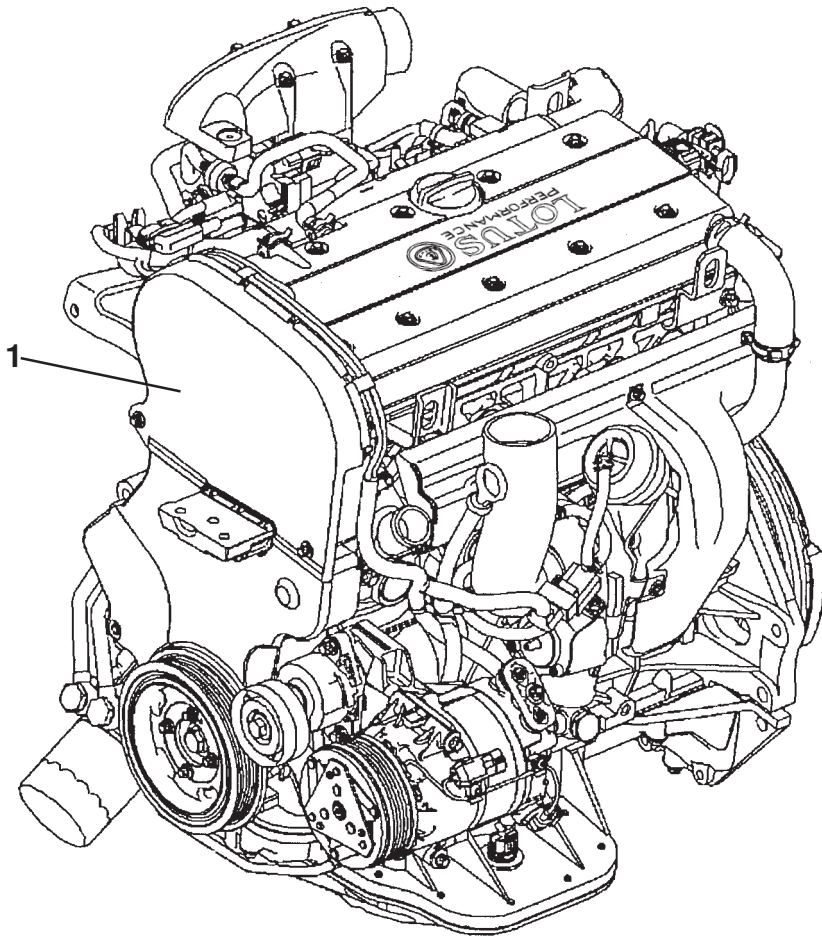
---

\*\*See Service Bulletin 2008/16

---

\*\*\*Centre cap for these winter wheels not available, A132G0011F can be used to fill the hole, but customer will need to fix it to the wheel at their own risk.

---



EUROPA

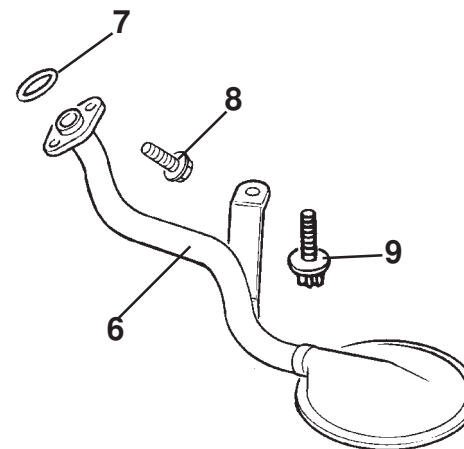
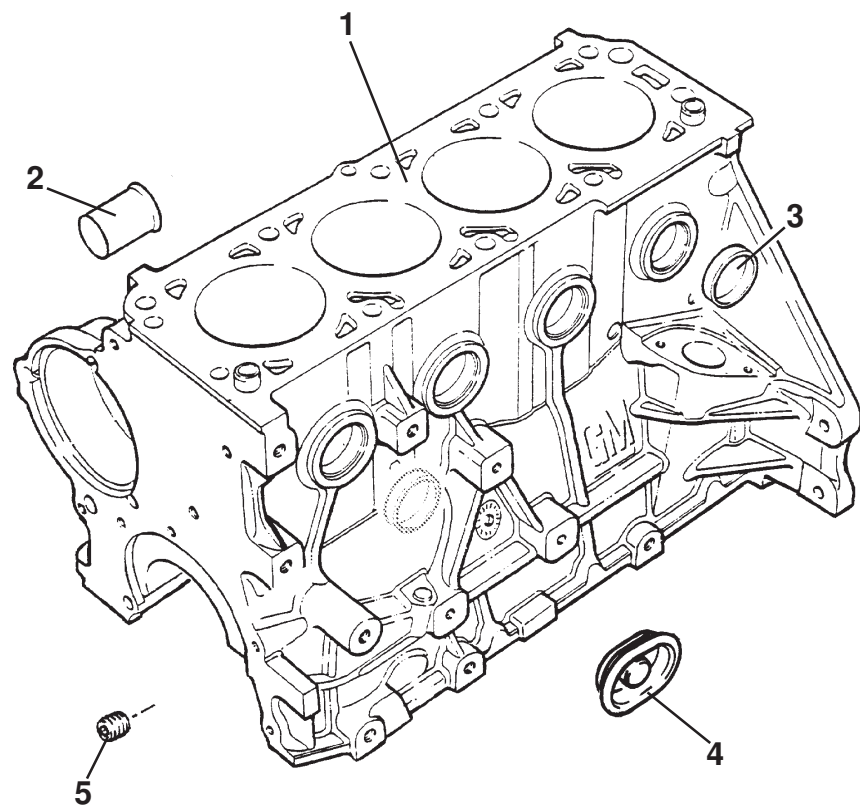
40.00

---

**Function Code 40.00 Engine Assemblies**

<u>Dep</u>	<u>Part Description</u>	<u>Remarks</u>	<u>Option</u>	<u>Part Number</u>	<u>Qty</u>
01	Engine Assembly	Without alternator		A124E6213S	1
01a	Short Engine Assembly			A124E6202S	1

---

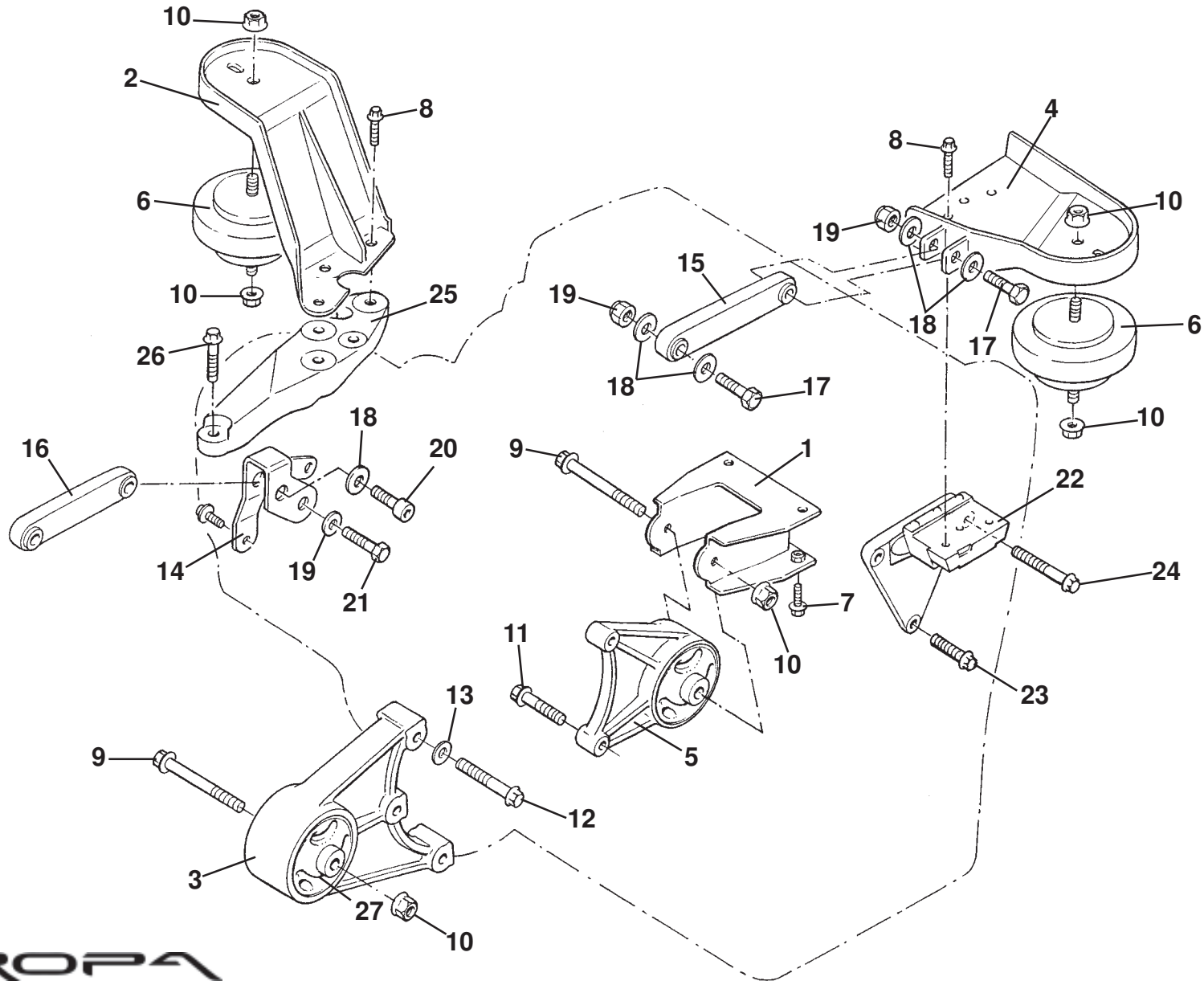


**EUROPA**  
40.01

---

**Function Code 40.01 Engine Block, Oil Pick up**

<u>Dep</u>	<u>Part Description</u>	<u>Remarks</u>	<u>Option</u>	<u>Part Number</u>	<u>Qty</u>
01	Engine Block	Part of short engine, see 40.00		A124E6202S	1
02	Flange/Spigot, water inlet			A124E6183S	1
03	Core Plug, 34mm, engine block			A124E6027S	7
04	Cap, blanking, mounting hole			A124E6229S	1
05	Plug, oil gallery			A124E6028S	1
06	Pipe Assembly, oil pump suction			A124E6010S	1
07	'O' Ring, oil pick-up to block			A124E6136S	1
08	Screw, oil pick-up pipe			A124E6025S	2
09	Screw, oil pick-up pipe bracket			A124E6052S	1



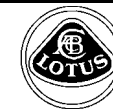
**EUROPA**

**40.01a**

*Updated 4th September 2015*

# Service Parts List

# EUROPA



## Function Code 40.01a Engine Mounts

<u>Dep</u>	<u>Part Description</u>	<u>Remarks</u>	<u>Option</u>	<u>Part Number</u>	<u>Qty</u>
01	Bracket, transmission mounting, front			A124A0031F	1
02	Bracket, transmission to chassis LH			B124A0091F	1
03	Bracket Assembly, alloy, transmission mounting, rear	Includes bush		A124A0054J	1
04	Bracket, engine to chassis RH			A124A0069F	1
05	Bracket Assembly, alloy, transmission mounting, front	Includes bush		A116A0218J	1
06	Hydramount, engine/transmission to chassis			B116A0114F	2
07	Screw, M8 x 20, flg. hd., bracket to chassis			A120W5278F	4
08	Screw, M10 x 30, flg. hd., bracket to chassis			A116W5272F	6
09	Bolt, M10 x 100, flg. hd., mount to bracket			A116W5235F	2
10	Flange Nut, M10, mounts to brackets & chassis			A111W3151F	6
11	Bolt, M12 x 45, flg. hd., front mount to transmission			A116W5236F	2
12	Bolt, M12 x 65, flg. hd., rear mount to transmission			A116W5237F	3
13	Washer, flat, M12 x 24 x 1.6, rear mount to transmission			A075W4071F	2
14	Bracket, transmission restraint			B124A0074F	1
15	Strap Assembly long, RH, engine/transmission restraint			A124E0043F	1
16	Strap Assembly short, LH, engine/transmission restraint			A124E0051F	1
17	Bolt, M12 x 55, hex. hd., strap fixing			A124W2216F	3
18	Washer, flat, M12, strap fixing			A124W4197F	5

EUROPA

Function Code: 40.01a, Page: 1

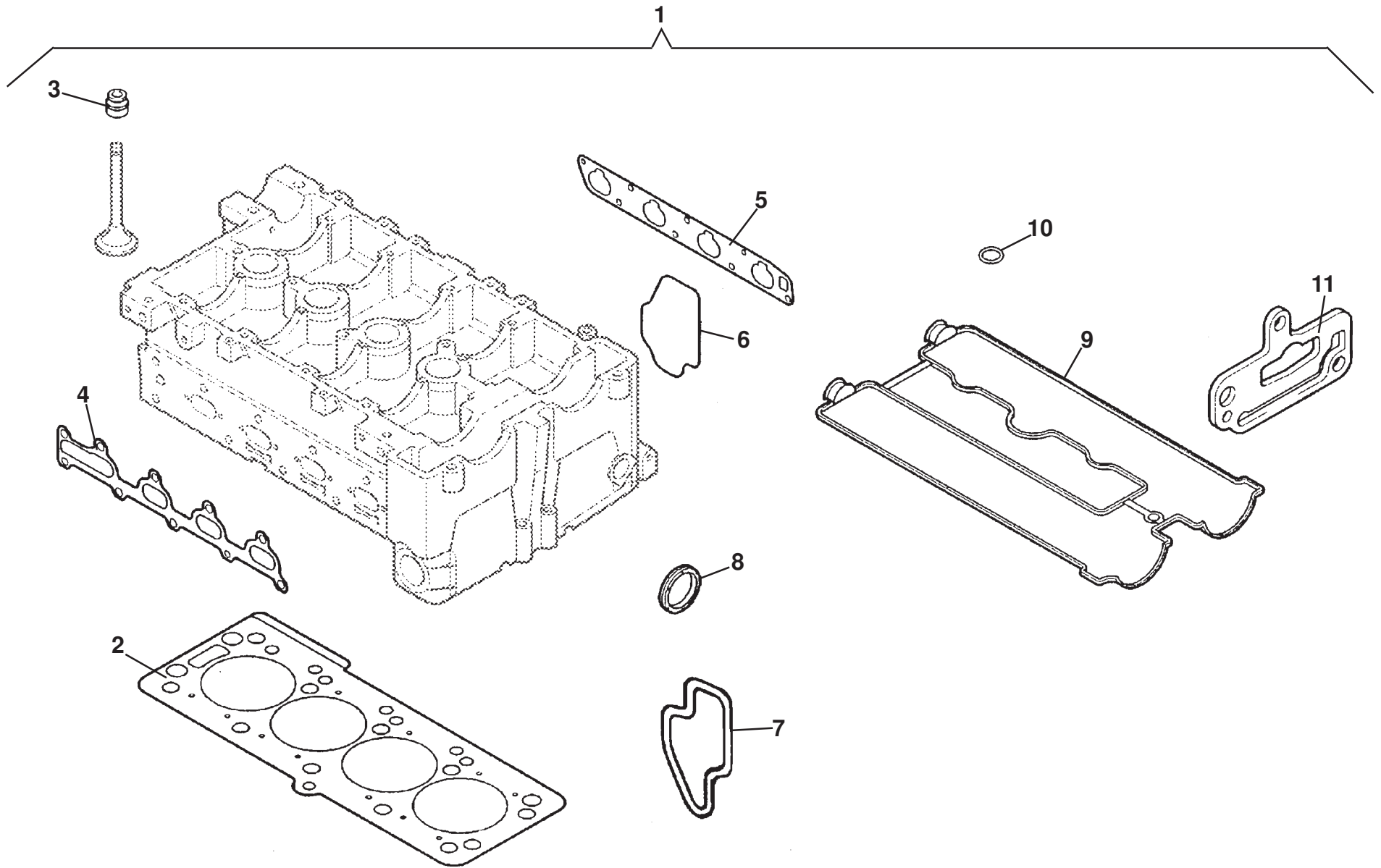
Updated 4th September 2015



---

**Function Code 40.01a Engine Mounts**

<u>Dep</u>	<u>Part Description</u>	<u>Remarks</u>	<u>Option</u>	<u>Part Number</u>	<u>Qty</u>
19	Nyloc Nut, M12, strap fixing			B100C6019F	4
20	Bolt, M12 x 45, skt. cap hd., strap to bracket			A124W2215F	1
21	Bolt, M12 x 25, hex. hd., bracket to transmission			A124W2214F	1
22	Support, engine mounting			A124E6209S	1
23	Screw, M10 x 30, torx hd., support to head			A124E6160S	2
24	Screw, M10 x 60, torx hd., support to head			A124E6159S	1
25	Support, transmission mounting			A124E6230S	1
26	Screw, M12 x 40, torx hd., support to transmission			A124E6231S	3
27	Bush Engine Mount			A116A0178F	1



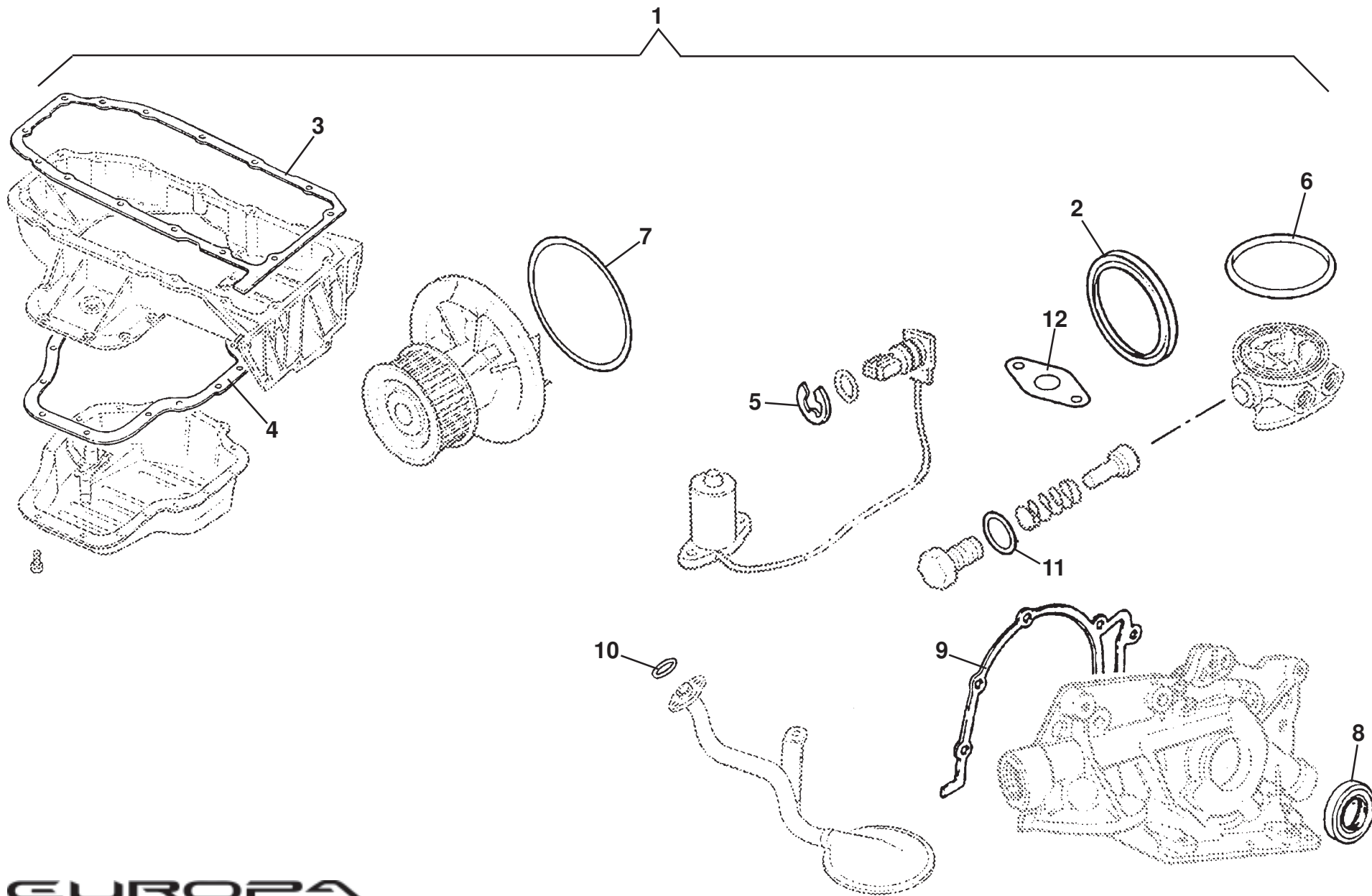
**EUROPA**

**40.02**

---

**Function Code 40.02 Gaskets & Sealants, Top Overhaul Set**

<u>Dep</u>	<u>Part Description</u>	<u>Remarks</u>	<u>Option</u>	<u>Part Number</u>	<u>Qty</u>
01	Gasket Set, cylinder head			A124E6193S	1
02	Gasket, cylinder head			A124E6197S	1
03	Oil Seal, valve stem			A124E6105S	16
04	Gasket, exhaust manifold			A124E6283S	1
05	Gasket, inlet manifold			A124E6114S	1
06	Gasket, thermostat housing			A124E6008S	1
07	Gasket, bypass housing			A124E6009S	1
08	Oil Seal, camshaft			A124E6092S	2
09	Gasket, cam cover			A124E6080S	1
10	'O' Ring, cam cover bolt			A124E6151S	10
11	Gasket, flange to cylinder head			A124E6066S	1

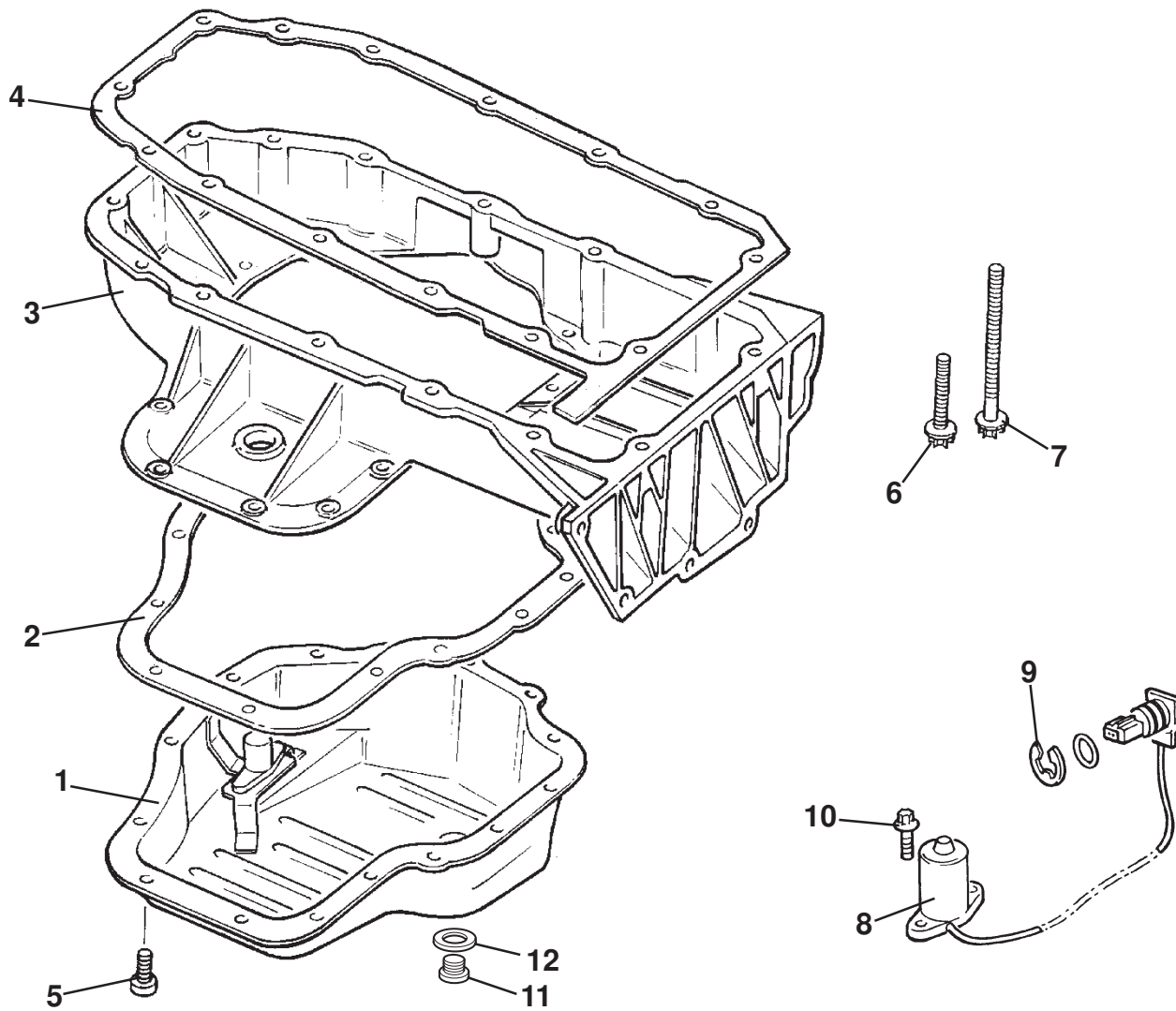


**EUROPA**  
40.02a

---

**Function Code 40.02a Gaskets & Sealants, Bottom Overhaul Set**

<u>Dep</u>	<u>Part Description</u>	<u>Remarks</u>	<u>Option</u>	<u>Part Number</u>	<u>Qty</u>
01	Gasket Set, block/bottom overhaul			A124E6194S	1
02	Oil Seal, crankshaft rear			A124E6097S	1
03	Gasket, oil pan carrier to block			A124E6076S	1
04	Gasket, oil pan to carrier			A124E6146S	1
05	Washer, safety, 18.0, oil level sensor			A124E6047S	1
06	Seal Ring, oil thermostat housng			A124E6189S	1
07	Seal Ring, water pump to cylinder block			A124E6128S	1
08	Oil Seal, oil pump			A124E6142S	1
09	Gasket, oil pump to block			A124E6077S	1
10	Gasket, suction pump to oil pump			A124E6136S	1
11	Seal Ring, oil pressure relief valve			A124E6038S	1
12	Gasket, ventilation tube			A124E6135S	1



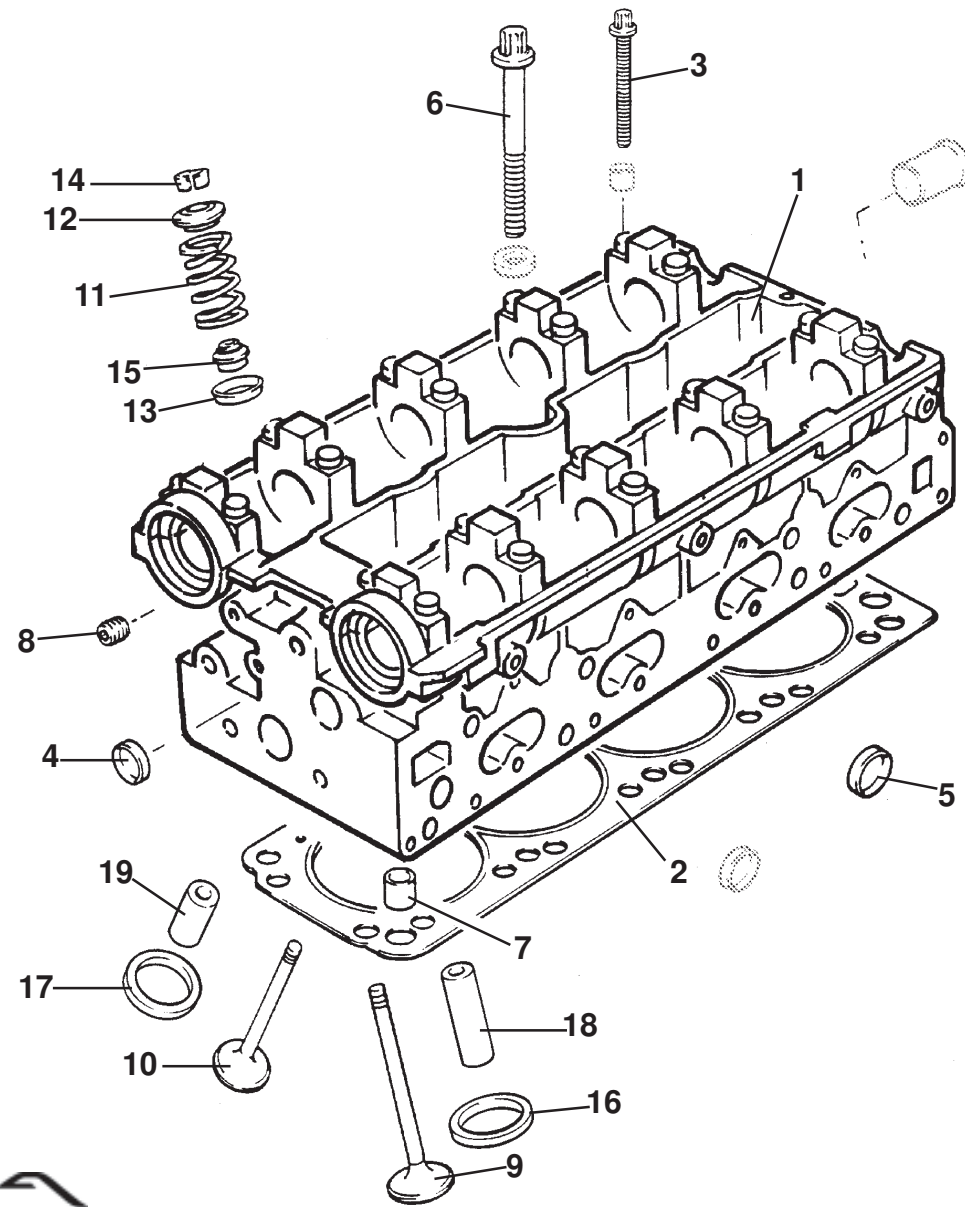
EUROPA

40.03

---

**Function Code 40.03 Sump Assembly**

<u>Dep</u>	<u>Part Description</u>	<u>Remarks</u>	<u>Option</u>	<u>Part Number</u>	<u>Qty</u>
01	Sump Pan			A124E6011S	1
02	Gasket, oil pan lower			A124E6146S	1
03	Carrier, upper oil pan			A124E6145S	1
04	Gasket, oil pan upper			A124E6076S	1
05	Screw, M6 x 16, sump pan retention			A124E6049S	16
06	Screw, M8 x 50, torx hd., upper oil pan retention			A124E6056S	12
07	Screw, M8 x 113, torx hd., upper oil pan retention			A124E6045S	2
08	Oil Level Sensor			A124E6227S	1
09	Lock ring, oil level sensor			A124E6047S	1
10	Screw, sensor retention			A124E6052S	2
11	Plug, oil drain			A124E6149S	1
12	'O' Ring, drain plug			A124E6150S	1



EUROPA

40.05



**Function Code 40.05 Cylinder Head , Valves, Springs**

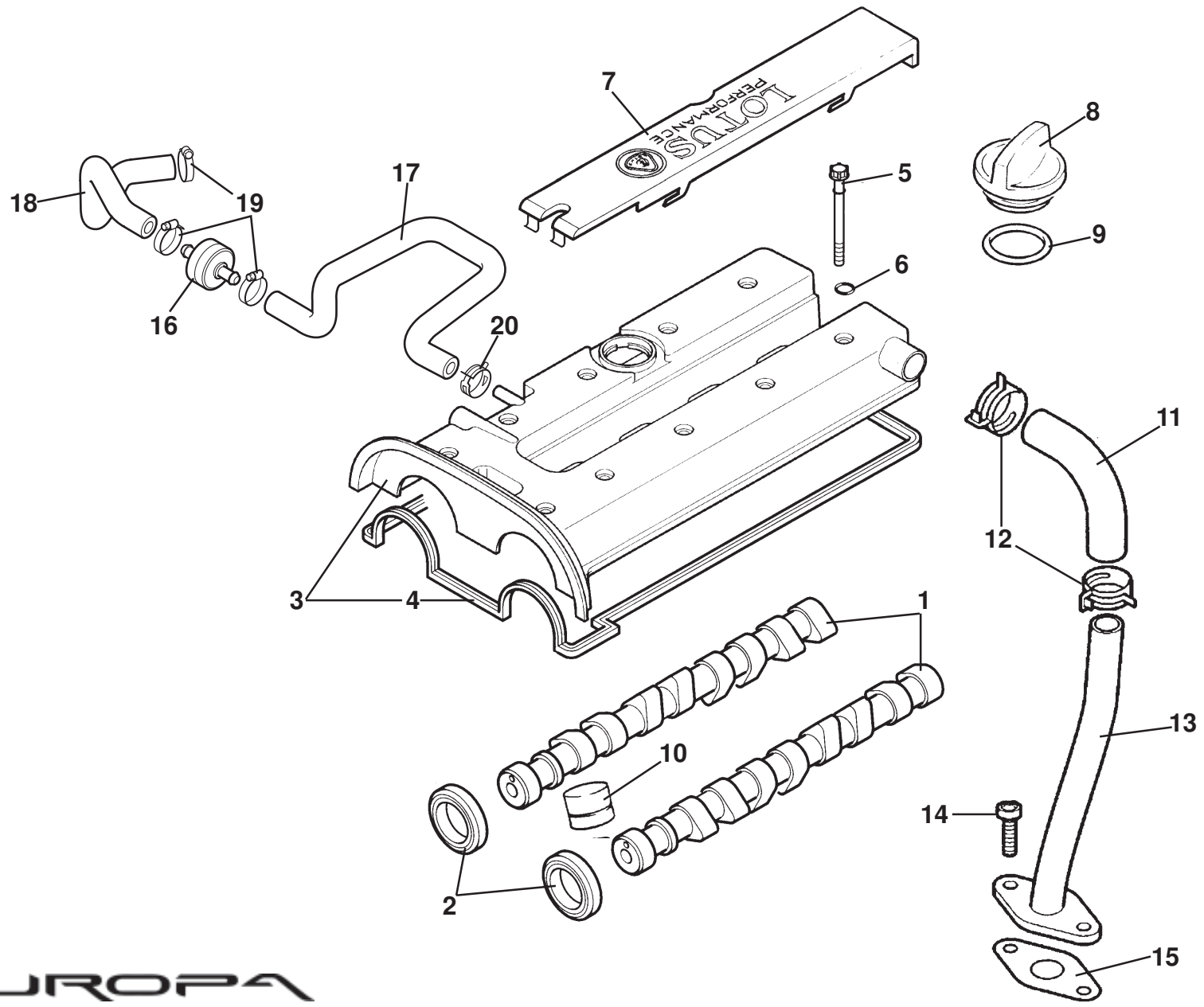
<u>Dep</u>	<u>Part Description</u>	<u>Remarks</u>	<u>Option</u>	<u>Part Number</u>	<u>Qty</u>
01	Cylinder Head Assembly			A124E6206S	1
02	Gasket, cylinder head			A124E6197S	1
03	Screw, M6 x 40, torx hd., cam cap to head			A124E6039S	20
04	Core Plug, 18mm			A124E6158S	As req.
04a	Core Plug, 19mm			A124E6031S	3
05	Core Plug, 24mm			A124E6148S	3
05a	Core Plug, 25mm			A124E6048S	As req.
06	Bolt, M11 x 105, torx, head to block			A124E6126S	10
07	Dowel, head to block			A124E6100S	2
08	Blanking Plug, oil gallery			A124E6050S	As req.
09	Inlet Valve, standard			A124E6112S	8
09a	Inlet Valve, +0.075mm			A124E6113S	8
10	Exhaust Valve, standard			A124E6106S	8
10a	Exhaust Valve +0.075mm			A124E6218S	8
10b	Exhaust Valve +0.15mm			A124E6107S	8
11	Valve Spring			A124E6122S	16
12	Valve Spring Cap			A124E6103S	16
13	Spring Seat			A124E6104S	16
14	Collet, valve to cap			A124E6102S	16
15	Oil Seal, valve stem			A124E6105S	16
16	Valve Seat Insert, inlet,			A124E6017S	8

---

**Function Code 40.05 Cylinder Head , Valves, Springs**

<u>Dep</u>	<u>Part Description</u>	<u>Remarks</u>	<u>Option</u>	<u>Part Number</u>	<u>Qty</u>
16a	Valve Seat Insert, inlet,			<b>A124E6155S</b>	8
17	Valve Seat Insert, exhaust			<b>A124E6156S</b>	8
18	Valve Guide, inlet, standard			<b>A124E6152S</b>	8
18a	Valve Guide, inlet, +0.075mm			<b>A1246E154S</b>	8
18b	Valve Guide, inlet, standard			<b>A124E6186S</b>	8
19	Valve Guide, exhaust, standard			<b>A124E6153S</b>	8
19a	Valve Guide, exhaust, +0.15mm			<b>A124E6187S</b>	8

---



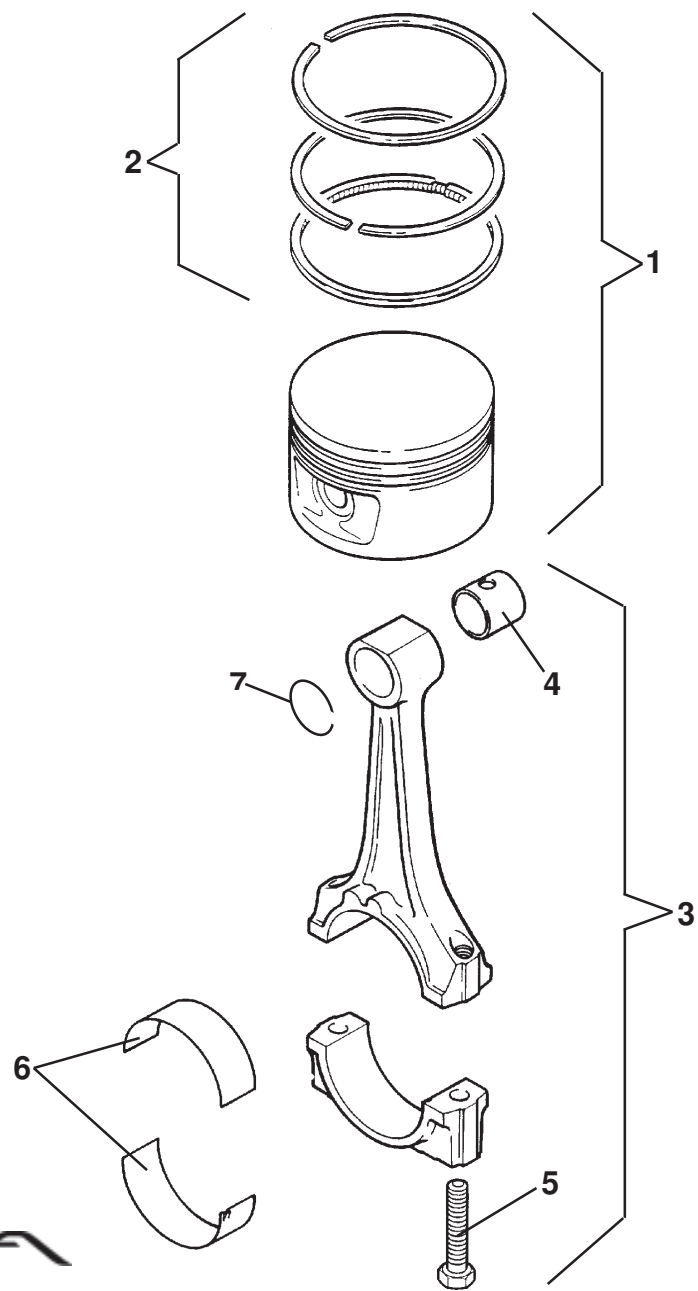
EUROPA

40.07

---

**Function Code 40.07 Camshafts, Tappets, Cam Cover**

<u>Dep</u>	<u>Part Description</u>	<u>Remarks</u>	<u>Option</u>	<u>Part Number</u>	<u>Qty</u>
01	Camshaft			A124E6016S	2
02	Oil Seal, camshaft			A124E6092S	2
03	Cam Cover/Gasket			A124E6080S	1
04	Gasket, cam cover			A124E6143S	1
05	Screw, torx, cover to head			A124E6059S	10
06	'O' Ring, cover to head			A124E6151S	10
07	Cover, spark plugs, Lotus Performance			A124E0045F	1
08	Oil Filler Cap			A124E6115S	1
09	Gasket, cap to cover			A124E6123S	1
10	Hydraulic Tappet			A124E6079S	16
11	Hose, breather, vent to head			A124E6116S	1
12	Hose Clip, breather hose fix.			A124E6185S	2
13	Breather Pipe, vent to head			A124E6140S	1
14	Screw, pipe to block			A124E6024S	2
15	Gasket, pipe to block			A124E6135S	1
16	Non-return Valve, crankcase ventilation			A124E6237S	1
17	Hose, cam cover to valve			A124E6238S	1
18	Hose, valve to intake manifold			A124E6239S	1
19	Hose Clip, hoses to valve + intake manifold			A124E6240S	3
20	Hose Clamp, hose to cam cover			A124E6297S	1



EUROPA

40.09

# Service Parts List

# EUROPA



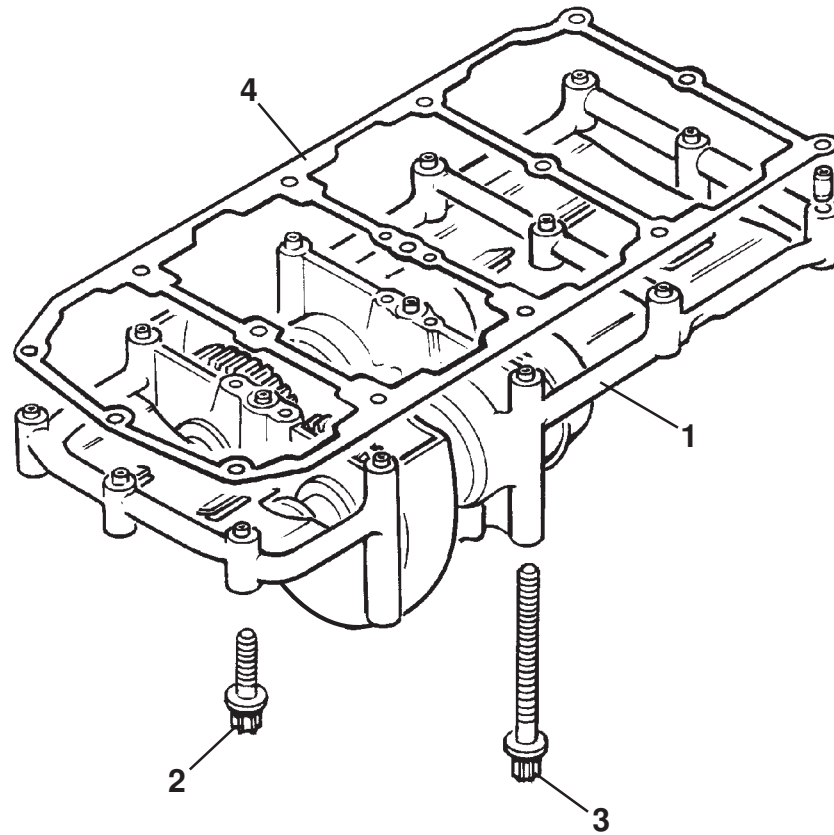
## Function Code 40.09 Pistons, Con-rods, Liners

<u>Dep</u>	<u>Part Description</u>	<u>Remarks</u>	<u>Option</u>	<u>Part Number</u>	<u>Qty</u>
01	Piston Assembly	Includes rings	Std. 85.996 - 86.005 mm	<b>A124E6211S</b>	4
01a	Piston Assembly	Includes rings	Oversize + 0.5 mm	<b>A124E6212S</b>	4
01b	Piston Assembly	Includes rings	Std. 85.986 - 85.995 mm	<b>A124E6215S</b>	4
01c	Piston Assembly	Includes rings	Std. 86.046 - 86.055 mm	<b>A124E6216S</b>	4
02	Piston Ring Set		Std.	<b>A124E6223S</b>	4
02a	Piston Ring Set		Oversize + 0.5 mm	<b>A124E6224S</b>	4
03	Con-rod Assembly	Includes bearings, bush		<b>A124E6001S</b>	4
04	Bush, gudgeon pin			<b>A124E6307S</b>	4
05	Bolt, cap to rod			<b>A124E6090S</b>	8
06	Con-rod Bearing Kit			<b>A124E6203S</b>	4
06a	Con-rod Bearing Kit, -0.25			<b>A124E6204S</b>	4
06b	Con-rod Bearing Kit, -0.50			<b>A124E6205S</b>	4
07	Snap Ring, gudgeon pin			<b>A124E6086S</b>	8

EUROPA

Function Code: 40.09, Page: 1

*Updated 27th february 2013*



EUROPA

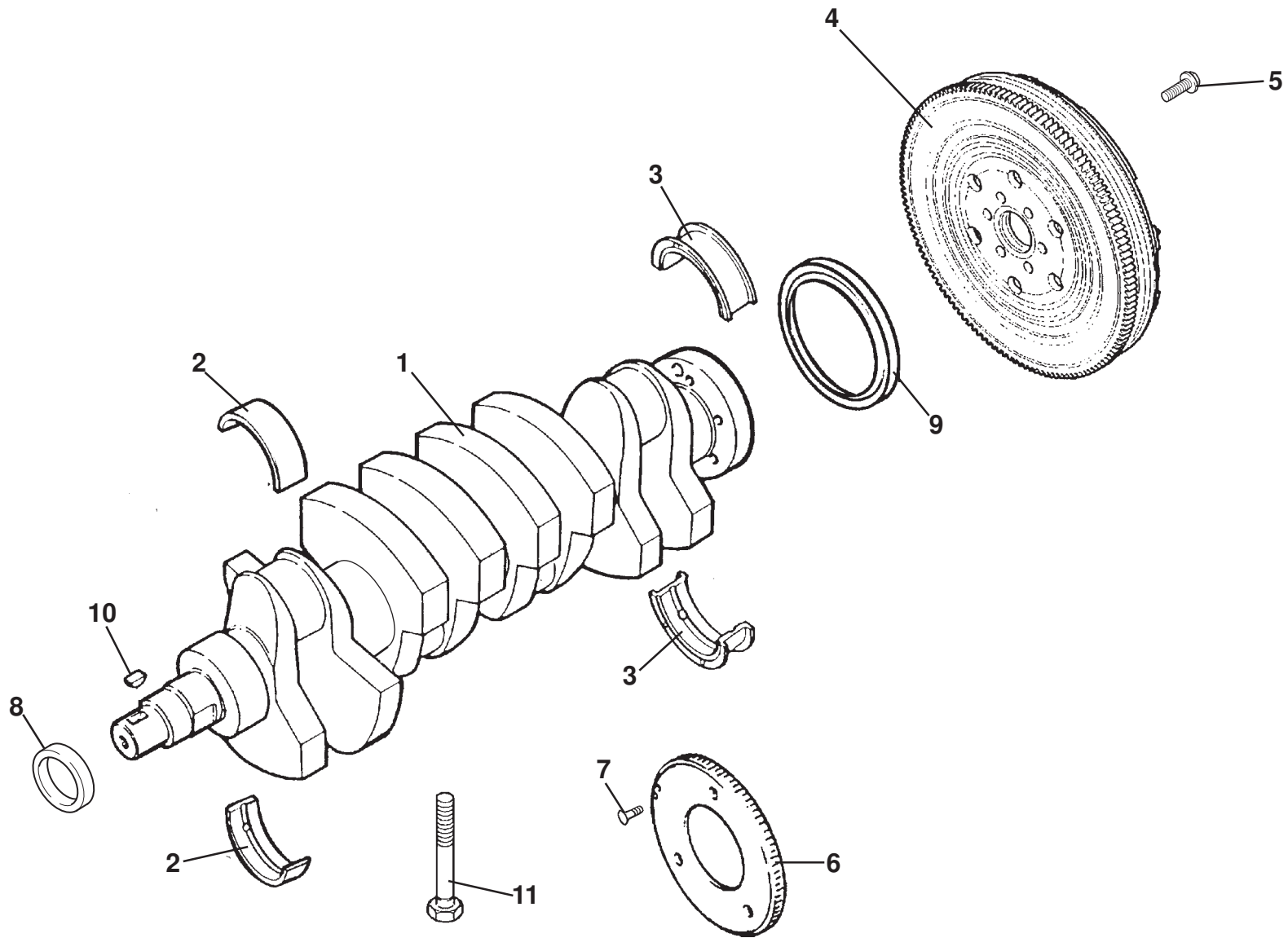
40.10

---

**Function Code 40.10 Balance Shaft & Bearings**

<u>Dep</u>	<u>Part Description</u>	<u>Remarks</u>	<u>Option</u>	<u>Part Number</u>	<u>Qty</u>
01	Balance Unit			A124E6225S	1
02	Screw, short, balance shaft housing			A124E6053S	8
03	Screw, long, balance shaft housing			A124E6061S	4
04	Shim, balance shaft housing, 0.535/0.565mm			A124E6171S	1
04a	Shim, balance shaft housing, 0.565/0.595mm			A124E6172S	1
04b	Shim, balance shaft housing, 0.595/0.625mm			A124E6173S	1
04c	Shim, balance shaft housing, 0.625/0.6555mm			A124E6174S	1
04d	Shim, balance shaft housing, 0.655/0.685mm			A124E6175S	1
04e	Shim, balance shaft housing, 0.685/0.715mm			A124E6176S	1
04f	Shim, balance shaft housing, 0.715/0.745mm			A124E6177S	1
04g	Shim, balance shaft housing, 0.745/0.775mm			A124E6178S	1
04h	Shim, balance shaft housing, 0.775/0.805mm			A124E6179S	1
04i	Shim, balance shaft housing, 0.805/0.835mm			A124E6180S	1
04j	Shim, balance shaft housing, 0.835/0.865mm			A124E6181S	1





EUROPA

40.11

# Service Parts List

# EUROPA



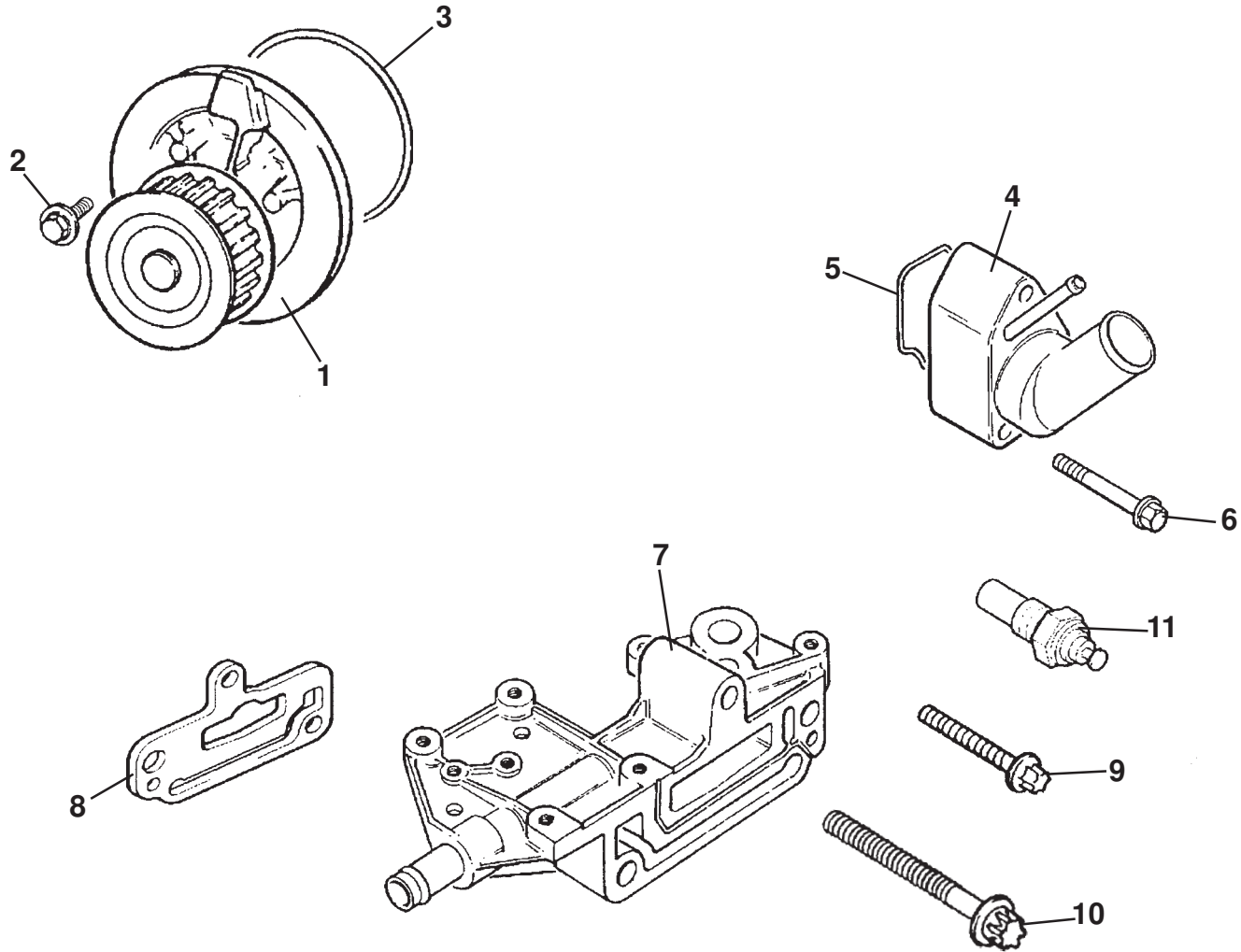
## Function Code 40.11 Crankshaft, Bearings, Flywheel

<u>Dep</u>	<u>Part Description</u>	<u>Remarks</u>	<u>Option</u>	<u>Part Number</u>	<u>Qty</u>
01	Crankhaft			A124E6168S	1
02	Bearing, crankshaft main, std., 1/4/5			A124E6002S	3
02a	Bearing, crankshaft main, std., 2			A124E6003S	1
02b	Bearing, crankshaft main, -0.25mm, 1/4/5			A124E6004S	3
02c	Bearing, crankshaft main, -0.25mm, 2			A124E6005S	1
03	Bearing/Thrust Washer, crankshaft main, std., 3			A124E6006S	1
03a	Bearing/Thrust Washer, crankshaft main, -0.25mm, 3			A124E6007S	1
04	Flywheel Assembly	Includes starter gear ring		A124E6132S	1
05	Screw, flywheel to crankshaft			A124E6192S	6
06	Ring, crankshaft position sensor			A124E6088S	1
07	Screw, ring fixing			A124E6089S	4
08	Oil Seal, crankshaft front			A124E6142S	1
09	Oil Seal, crankshaft rear			A124E6097S	1
10	Woodruff Key, crankshaft			A124E6019S	1
11	Screw, M10 x 64, bearing cap retention			A124E6147S	10

EUROPA

Function Code: 40.11, Page: 1

*Updated 30th July 2018*

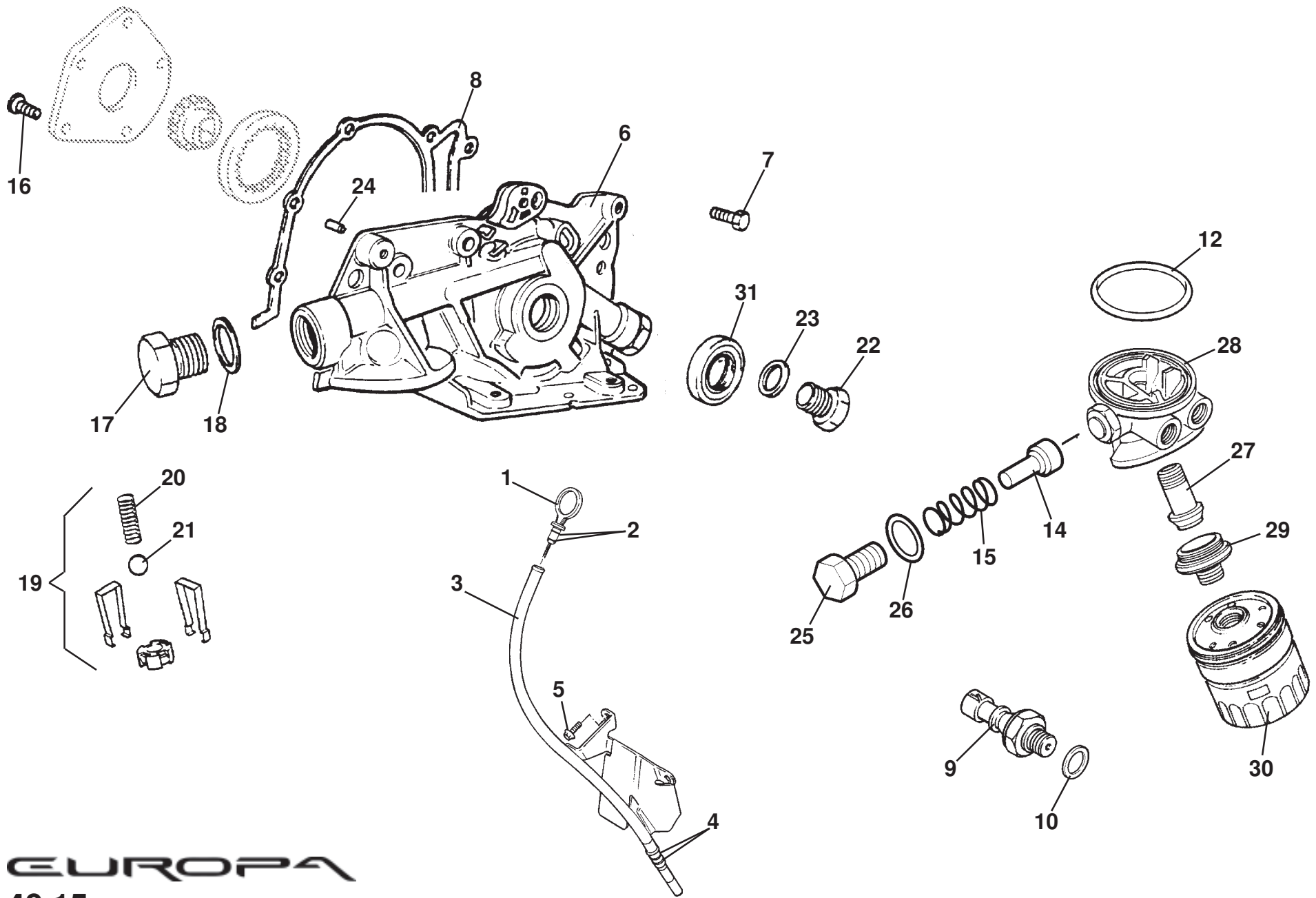


**EUROPA**  
**40.13**

---

**Function Code 40.13 Water Pump Assembly, Thermostat**

<u>Dep</u>	<u>Part Description</u>	<u>Remarks</u>	<u>Option</u>	<u>Part Number</u>	<u>Qty</u>
01	Water Pump Assembly			A124E6065S	1
02	Screw, water pump			A124E6201S	3
03	Seal Ring, water pump to block			A124E6128S	1
04	Thermostat & Flange Assembly			A124E6137S	1
05	Gasket, thermostat to head			A124E6008S	1
06	Screw, special, thremostat to head			A124E6111S	3
07	Flange, water outlet			A124E6221S	1
08	Gasket, flange to head			A124E6066S	1
09	Screw, M8 x 65, flg. torx, flange to head			A124E6041S	1
10	Screw, M10 x 60, flg. torx, flange to head			A124E6046S	1
11	Plug, screw, temperature sensor hole closing			A124E6207S	1
12	Pipe, heater inlet			A124E6220S	1



**EUROPA**  
40.15

# Service Parts List

# EUROPA



## Function Code 40.15 Lubrication System

<u>Dep</u>	<u>Part Description</u>	<u>Remarks</u>	<u>Option</u>	<u>Part Number</u>	<u>Qty</u>
01	Dipstick			A124E0036F	1
02	'O' Ring, dipstick			A124E6130S	2
03	Dipstick Tube			B124E0034F	1
04	'O' Ring, dipstick tube			A124E6129S	2
05	Screw, dipstick tube			A124E6051S	2
06	Oil Pump Assembly			A124E6064S	1
07	Screw, hex. hd., oil pump retention			A124E6034S	4
08	Gasket, oil pump to block			A124E6077S	1
09	Switch, oil pressure			A124E6075S	1
10	Seal, oil pressure switch			A124E6021S	1
12	Seal Ring, thermostat housing to block			A124E6189S	1
14	Thermostat, oil cooler			A124E6093S	1
15	Spring, oil thermostat			A124E6094S	1
16	Screw, csk., oil pump cover			A124E6035S	5
17	Plug, oil pump housing			A124E6141S	1
18	Seal Ring, oil pump housing plug			A124E6054S	1
19	Valve, oil filter bypass			A124E6083S	1
20	Spring, oil filter bypass			A124E6084S	1

EUROPA

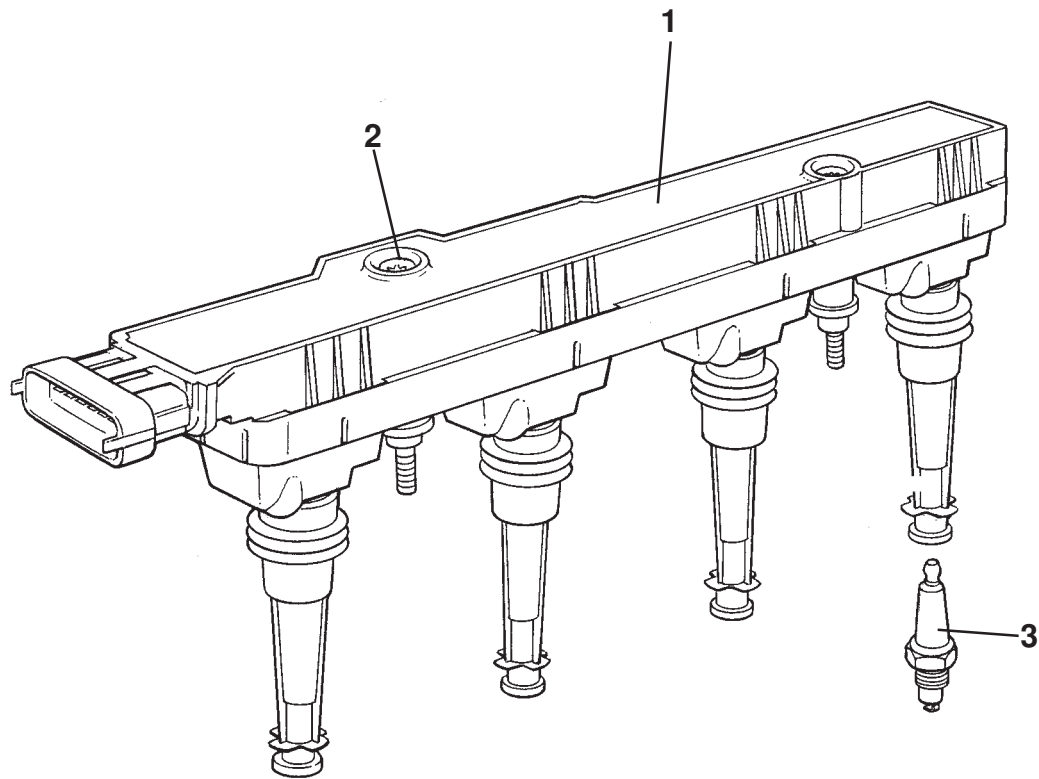
Function Code: 40.15, Page: 1

Updated 1st June 2010

---

**Function Code 40.15 Lubrication System**

<u>Dep</u>	<u>Part Description</u>	<u>Remarks</u>	<u>Option</u>	<u>Part Number</u>	<u>Qty</u>
21	Ball, filter bypass valve			A124E6026S	1
22	Plug screw, M20, PRV housing			A124E6000S	1
23	Seal Ring, PRV housing plug			A124E6038S	1
24	Pin, oil pump housing location			A124E6099S	1
25	Plug screw, M20, thermostat housing			A124E6000S	1
26	Seal Ring, thermostat housing plug			A124E6038S	1
27	Bolt, female, oil cooler thermostat			A124E6162S	1
28	Housing, oil cooler thermostat			A124E6163S	1
29	Reducer, oil filter			A124E6139S	1
30	Oil Filter			A124E6196S	1
31	Oil Seal, crankshaft front			A124E6142S	1



**EUROPA**  
40.17

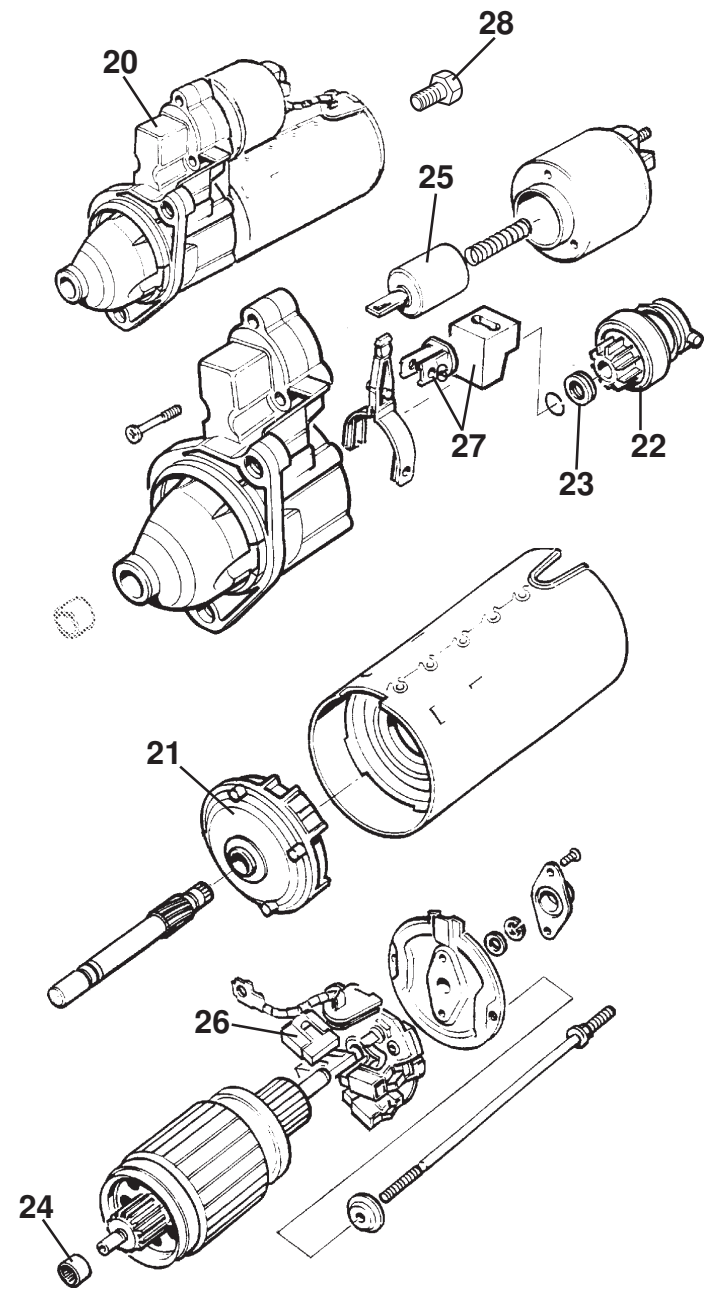
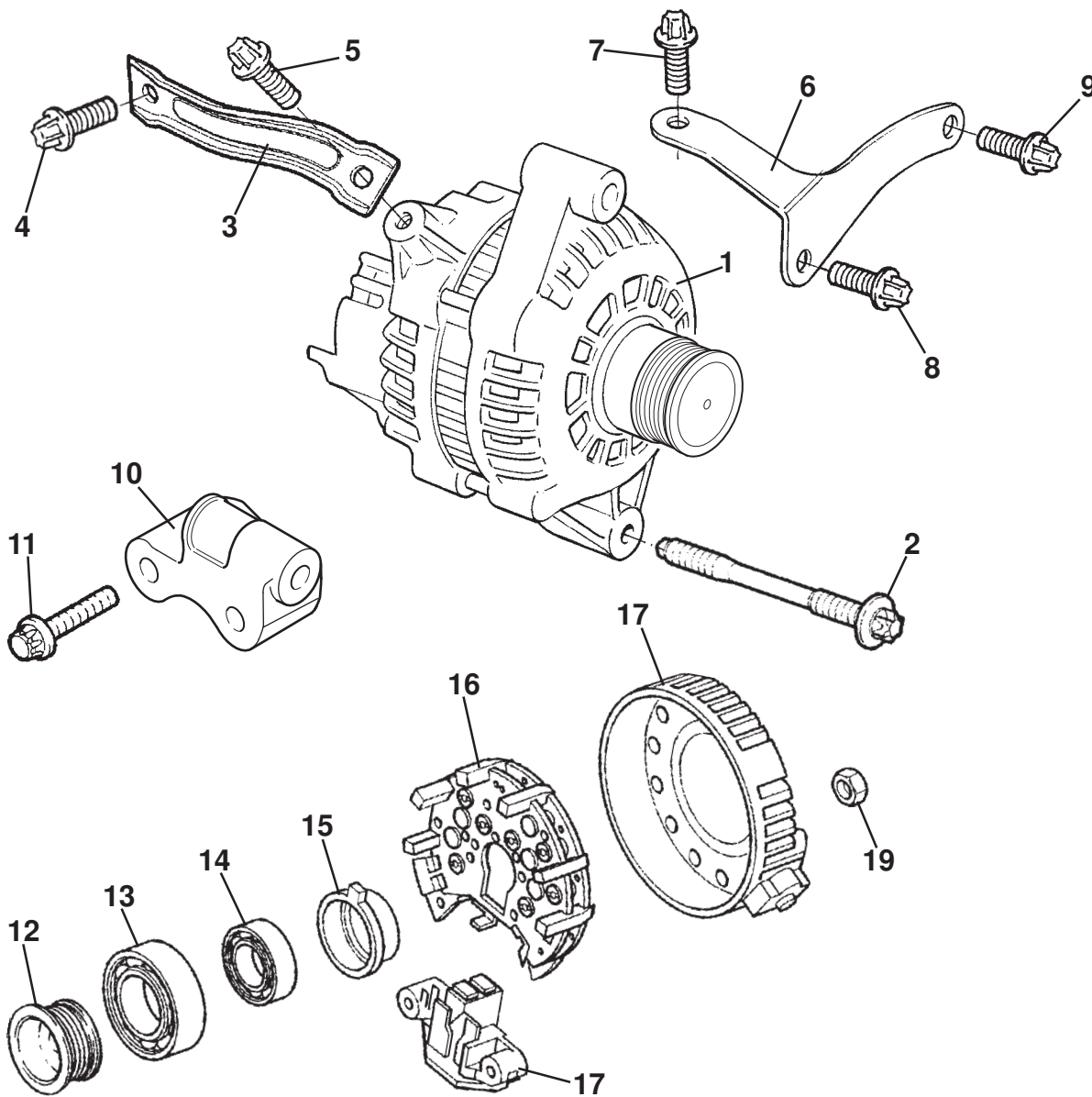


# Service Parts List **EUROPA**



## Function Code 40.17 Ignition System, Spark plugs & Plug Top Coils

<u>Dep</u>	<u>Part Description</u>	<u>Remarks</u>	<u>Option</u>	<u>Part Number</u>	<u>Qty</u>
01	Ignition Module			A124E6015S	1
02	Screw, M6 x 60, torx hd., module to head			A124E6060S	2
03	Spark Plug		Europa S	A124E6199S	4
03a	Spark Plug, upgrade, NGK ZFR6F-11	For use with Aftersales ECU upgrade	Post registration	A124E6322S	4
03B	Spark Plug, NGK IFR6A - 11		Europa SE	A120E6352S	4
04	Gasket, ignition coil adaptor			A124E6066S	1



**EUROPA**  
40.19

# Service Parts List

# EUROPA



## Function Code 40.19 Alternator and Starter Motor

<u>Dep</u>	<u>Part Description</u>	<u>Remarks</u>	<u>Option</u>	<u>Part Number</u>	<u>Qty</u>
01	Alternator, 12v, 120 amp			A124E6246S	1
02	Bolt, alternator lower fix.			A124E6259S	1
03	Brace, alternator rear fix			A124E6257S	1
04	Screw, M8 x 20, torx hd., rear brace to engine			A124E6055S	1
05	Screw, torx hd., rear bracket to alternator			Not issued	1
06	Support Bracket, alternator upper front fix.			A124E6256S	1
07	Screw, torx hd., front bracket to engine			Not issued	1
08	Screw, M10 x 105, torx hd., front bracket to alternator			A124E6258S	1
09	Screw, torx hd., front bracket to engine			Not issued	1
10	Bracket, alternator mounting			A124E6255S	1
11	Screw, M10 x 55, bracket to block			A124E6260S	1
12	Pulley, alternator			A124E6247S	1
13	Bearing, alternator front			A124E6248S	1
14	Bearing, alternator rear			A124E6252S	1
15	Ring, alternator bearing rear			A124E6249S	1
16	Diode Plate, alternator			A124E6251S	1
17	Cap, protection, alternator rear			A124E6253S	1
18	Regulator Assembly, alternator			A124E6250S	1

EUROPA

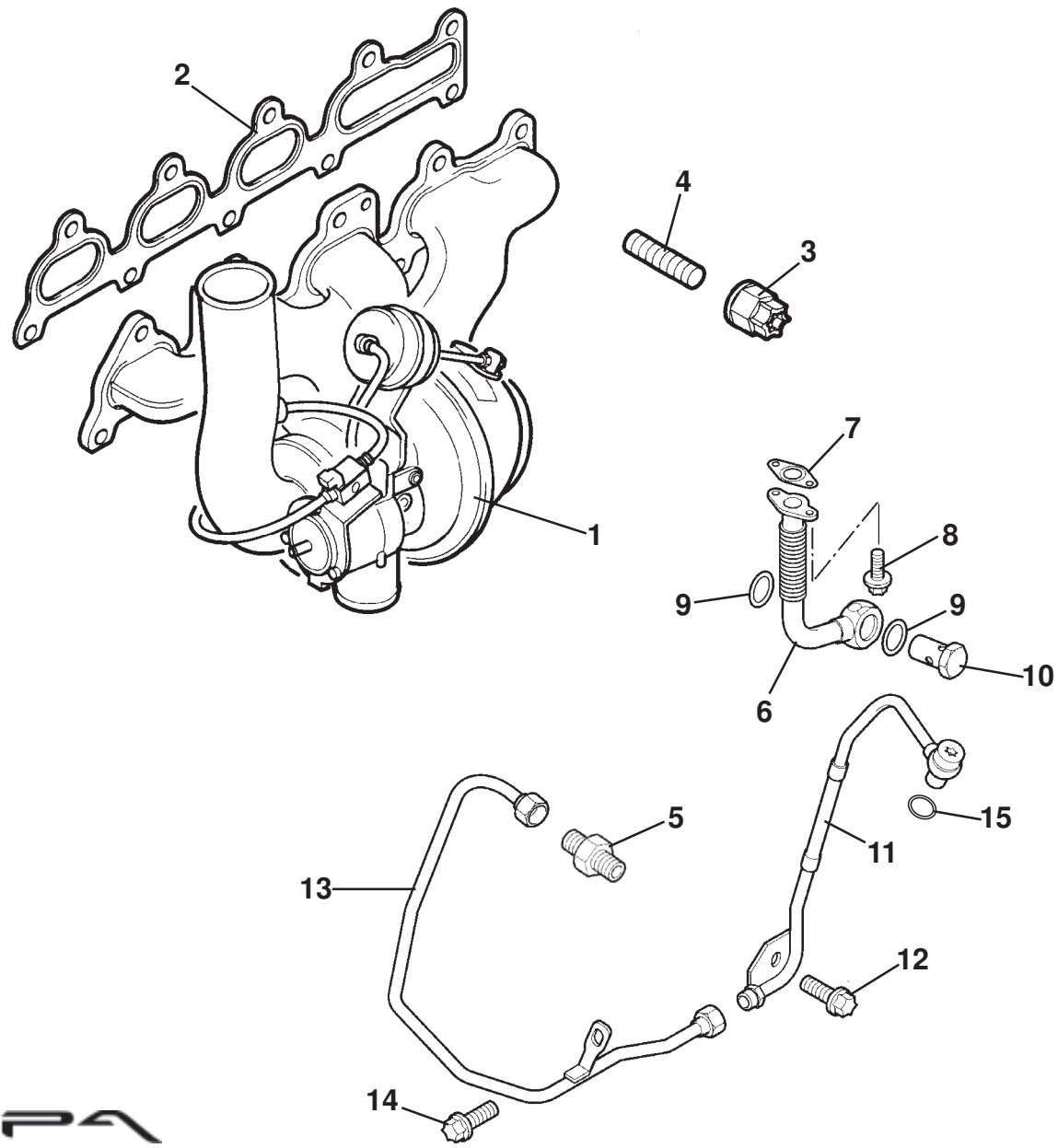
Function Code: 40.19, Page: 1

*Updated 15th April 2011*

---

**Function Code 40.19 Alternator and Starter Motor**

<u>Dep</u>	<u>Part Description</u>	<u>Remarks</u>	<u>Option</u>	<u>Part Number</u>	<u>Qty</u>
19	Nut, cover fixing			A124E6254S	1
20	Starter Motor Assembly			A124E6262S	1
21	Transmission, planetary starter			A124E6263S	1
22	Starter Pinion			A124E6264S	1
23	Bush, starter pinion drive			A124E6265S	1
24	Bush, 14 x 10 x 10mm, starter drive end			A124E6268S	1
25	Solenoid Switch, starter			A124E6269S	1
26	Carbon Brush Set, with holder			A124E6270S	1
27	Set, mounting parts, starter			A124E6271S	1
28	Screw, M10 x 25, hex. hd., starter to block			A124E6272S	2
29	Dust Shield, starter aperture	Not illustrated		A124E6324S	1



**EUROPA**

**40.21c**

# Service Parts List

# EUROPA



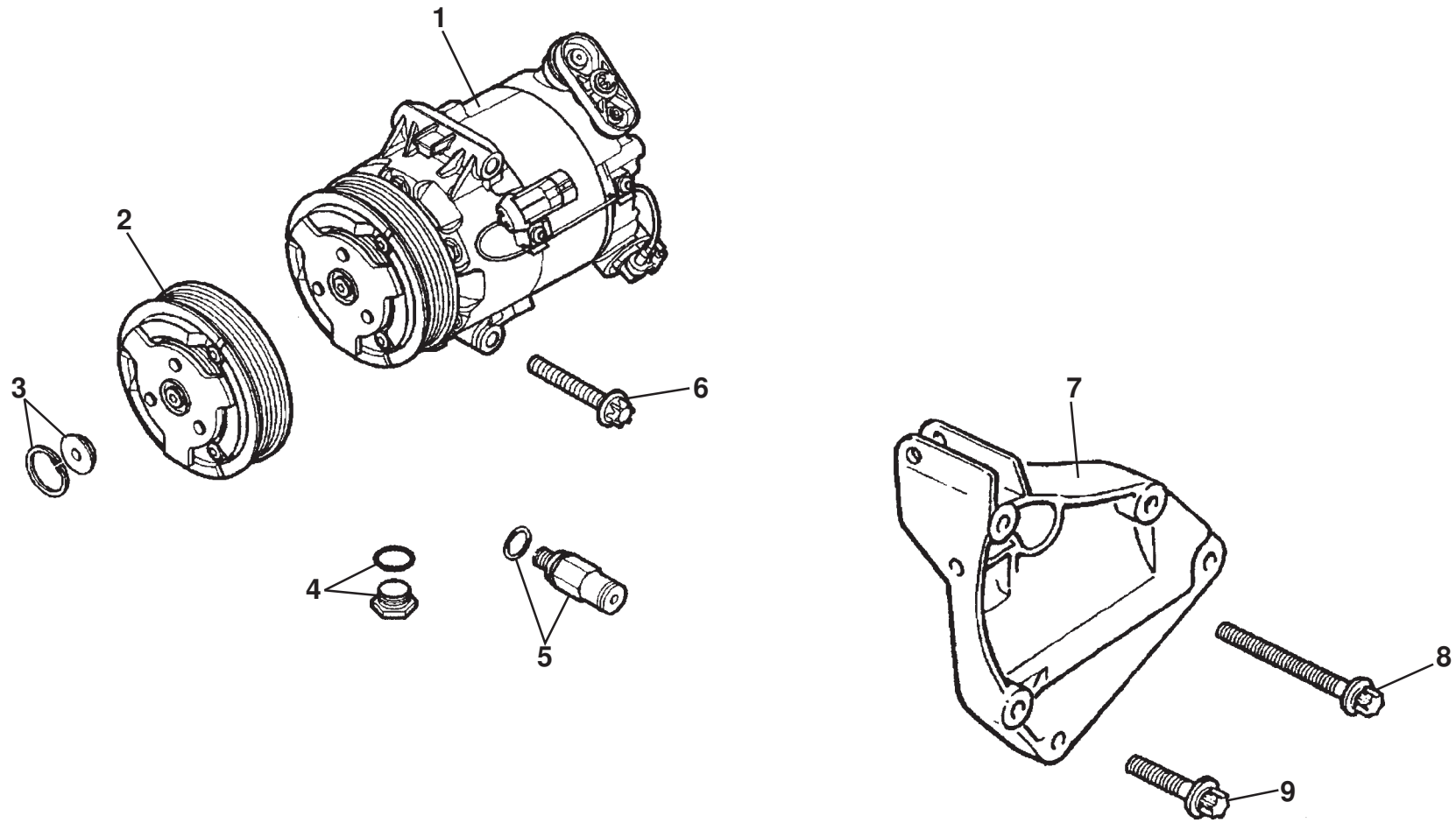
## Function Code 40.21c Exhaust Manifold & Turbocharger

<u>Dep</u>	<u>Part Description</u>	<u>Remarks</u>	<u>Option</u>	<u>Part Number</u>	<u>Qty</u>
01	Exhaust Manifold/Turbo Assembly		Europa S	A124E6282S	1
01a	Exhaust Manifold/Turbo Assembly, high spec.		Europa SE	A124E6323F	1
02	Gasket, exhaust manifold			A124E6283S	1
03	Nut, manifold to head			A124E6284S	10
04	Stud, M8 x 25, manifold to head			A124E6191S	10
05	Connector to block, oil feed			A124E6078S	1
06	Pipe, oil return turbo to block			A124E6277S	1
07	Gasket, return pipe to turbo			A124E6275S	1
08	Screw, M6 x 12, return pipe to turbo			A124E6281S	2
09	Seal Ring, return pipe to block			A124E6280S	2
10	Screw, hollow, return pipe to block			A124E6279S	1
11	Pipe, oil feed to turbo			A124E6274S	1
12	Screw, M8 x 16, hex.hd., feed pipe to block			A124E6276S	1
13	Pipe, oil feed to turbo			A124E6273S	1
14	Screw, M10 x 16, hex. hd., feed pipe to block			A124E6051S	1
15	Seal Ring, oil feed pipe to turbo			A124E6278S	1

EUROPA

Function Code: 40.21c, Page: 1

2009/01



EUROPA

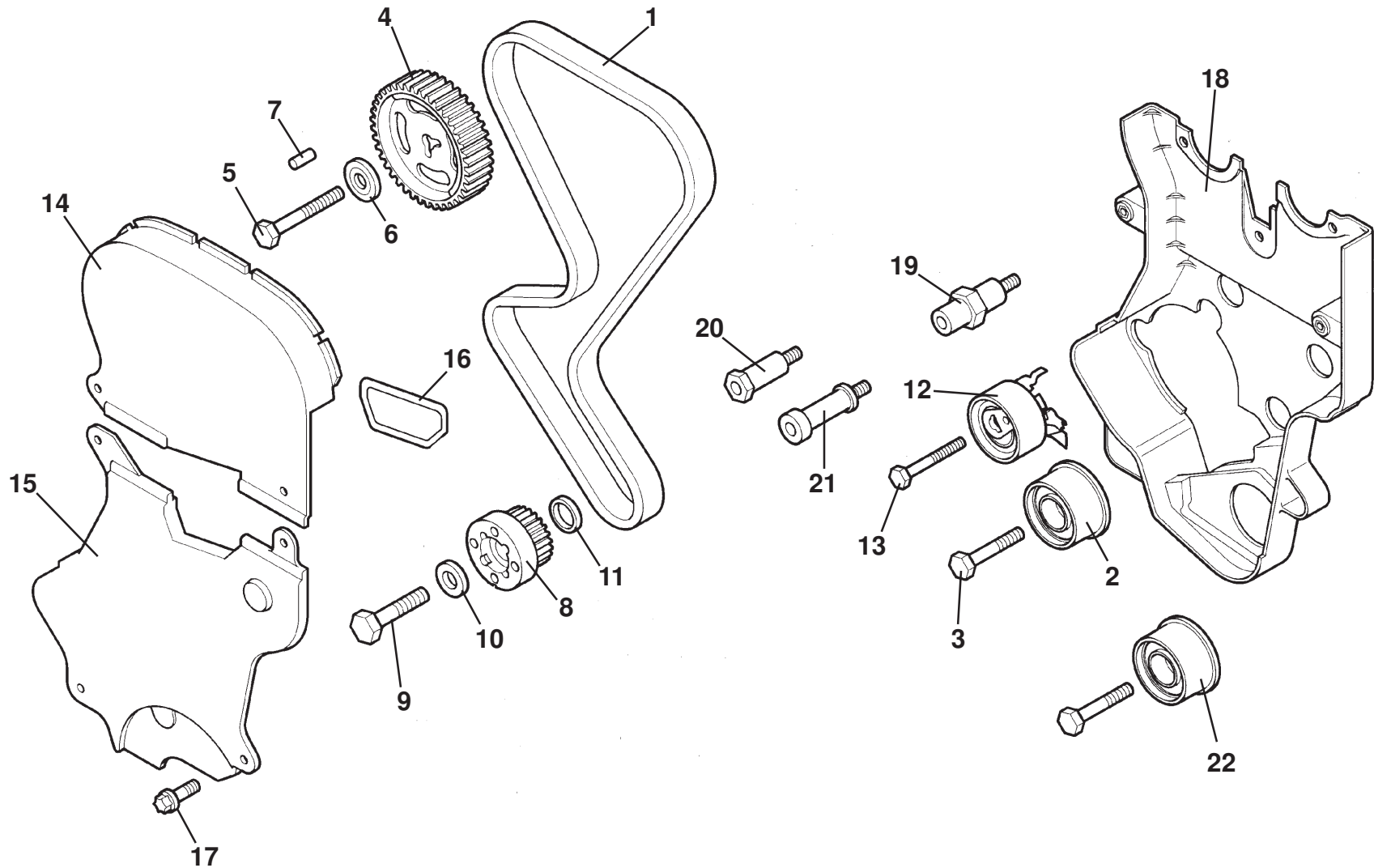
40.23

---

**Function Code 40.23 AC Compressor**

<u>Dep</u>	<u>Part Description</u>	<u>Remarks</u>	<u>Option</u>	<u>Part Number</u>	<u>Qty</u>
01	AC Compressor			A124E6285S	1
02	Pulley, compressor			A124E6287S	1
03	Kit, seal ring, compressor drive shaft			A124E6315S	1
04	Screw, with seal, oil drain			A124E6286S	1
05	Relief Valve, compressor			A124E6314S	1
06	Screw, M8 x 90, torx hd., compressor to bracket			A124E6288S	3
07	Support Bracket, compressor			A124E6289S	1
08	Screw, M10 x 78, torx flg. hd., bracket to block			A124E6290S	1
09	Screw, M10 x 50, torx flg. hd., bracket to block			A124E6291S	2





**EUROPA**

**41.01**

*Updated 6th July 2011*

# Service Parts List

# EUROPA



## Function Code 41.01 Camshaft Belts, Guards & Pulleys

<u>Dep</u>	<u>Part Description</u>	<u>Remarks</u>	<u>Option</u>	<u>Part Number</u>	<u>Qty</u>
01	Timing Belt			A124E6070S	1
02	Roller,timing belt	Plastic		A124E6161S	1
03	Screw M10 x 30, torx hd., roller fixing			A124E6160S	1
04	Camshaft Pulley			A124E6109S	2
05	Bolt, pulley to camshaft			A124E6127S	2
06	Thrust Washer, pulley to camshaft			A124E6082S	2
07	Pin, pulley to camshaft			A124E6138S	2
08	Crankshaft Pulley			A124E6110S	1
09	Screw, M12 x 40, hex. hd., , pulley to crankshaft			A124E6036S	1
10	Thrust Washer, 38mm O/D, pulley to crank.			A124E6085S	1
11	Thrust Washer, 30mm O/D, pulley to crank.			A124E6190S	1
12	Tensioner, timing belt			A124E6074S	1
13	Bolt, tensioner to oil pump body			A124E6068S	1
14	Cover, timing belt front, upper			A124E6182S	1
15	Cover, timing belt front, lower			A124E6073S	1
16	Gasket, timing belt cover			A124E6164S	1
17	Screw, M6 x 10, torx hd., cover fixing			A124E6044S	4
18	Cover, timing belt rear			A124E6067S	1

EUROPA

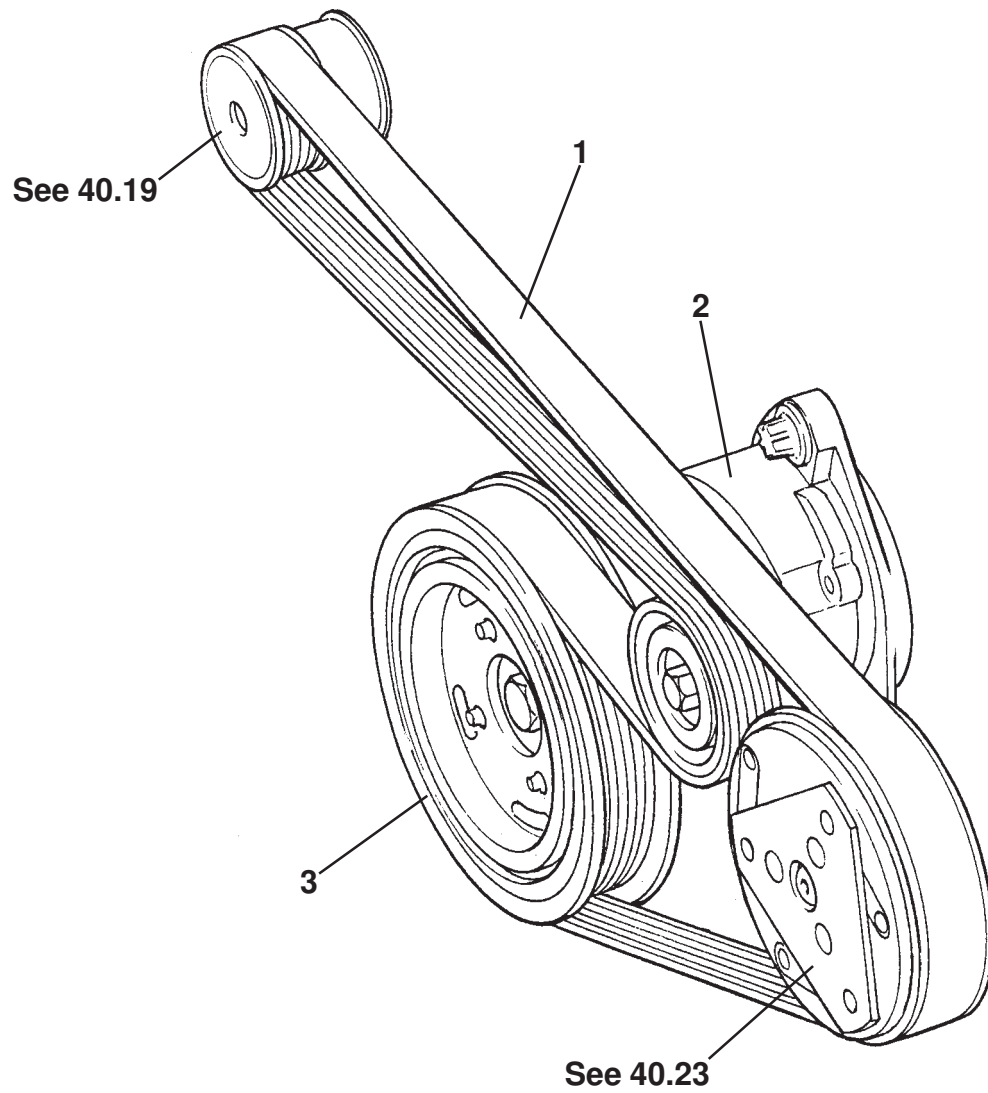
Function Code: 41.01, Page: 1

Updated 30th July 2018

---

**Function Code 41.01 Camshaft Belts, Guards & Pulleys**

<u>Dep</u>	<u>Part Description</u>	<u>Remarks</u>	<u>Option</u>	<u>Part Number</u>	<u>Qty</u>
19	Screw, M6 x 12, fill. hd., cover to head			A124E6087S	2
20	Screw, rear cover to oil pump			A124E6012S	1
21	Screw, rear cover to oil pump			A124E6013S	1
22	Roller, return timing belt	Metal		A124E6072S	1

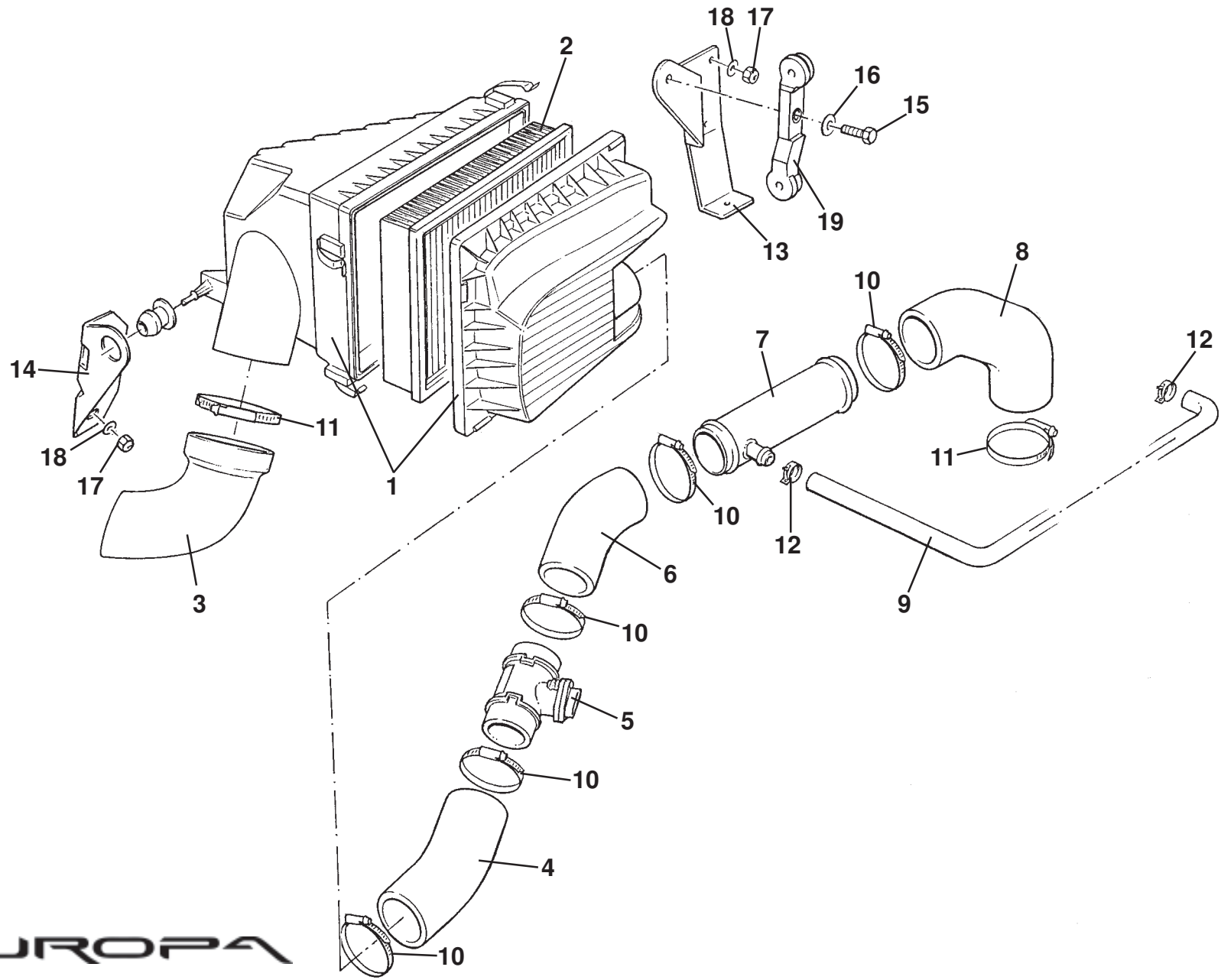


**EUROPA**  
**41.03**

---

**Function Code 41.03 Auxiliary Drive Belts & Pulleys**

<u>Dep</u>	<u>Part Description</u>	<u>Remarks</u>	<u>Option</u>	<u>Part Number</u>	<u>Qty</u>
01	Drive Belt, alternator, AC pump			A124E6316S	1
02	Tensioner Assembly, drive belt			A124E6317S	1
03	Pulley, crankshaft			A124E6308S	1



**EUROPA**  
42.01

# Service Parts List

# EUROPA



## Function Code 42.01 Airboxes, Trunking & Air Filters

<u>Dep</u>	<u>Part Description</u>	<u>Remarks</u>	<u>Option</u>	<u>Part Number</u>	<u>Qty</u>
01	Airbox Assembly			A124E0042K	1
02	Air Cleaner Element			A124E6309S	1
03	Hose, snorkel, intake			B124E0032F	1
04	Hose, airbox to MAF assy.			B124E0026F	1
05	Meter Assembly, mass airflow	Also see 17.06		A124E0018F	1
06	Hose, MAF assembly to intake pipe			B124E0026F	1
07	Intake Pipe			B124E0027F	1
08	Hose, intake pipe to turbo			A124E0028F	1
09	Breather Hose, cam cover to intake pipe			A116E0024F	1
10	Hose Clip, hoses to MAF assy. & intake pipe			A116E6068F	5
11	Hose Clip, snorkel & turbo hoses			A075L6044F	2
12	Hose Clip, breather hose retention			A116E6034F	2
13	Bracket, airbox retention, RH			B124E0024F	1
14	Bracket, airbox retention, LH		A124E0023F R/B	B124E0023F	1
15	Bolt, M8 x 35, airbox to bracket			A075W2038D	1
16	Washer, flat, M8 x 20, airbox to bracket			A075W4019F	1
17	Nyloc Nut, M6 x 12, brackets to bulkhead			A075W3009Z	6
18	Washer, flat, M6 x 12, brackets to bulkhead			A075W4013Z	6

EUROPA

Function Code: 42.01, Page: 1

Updated 2nd February 2015

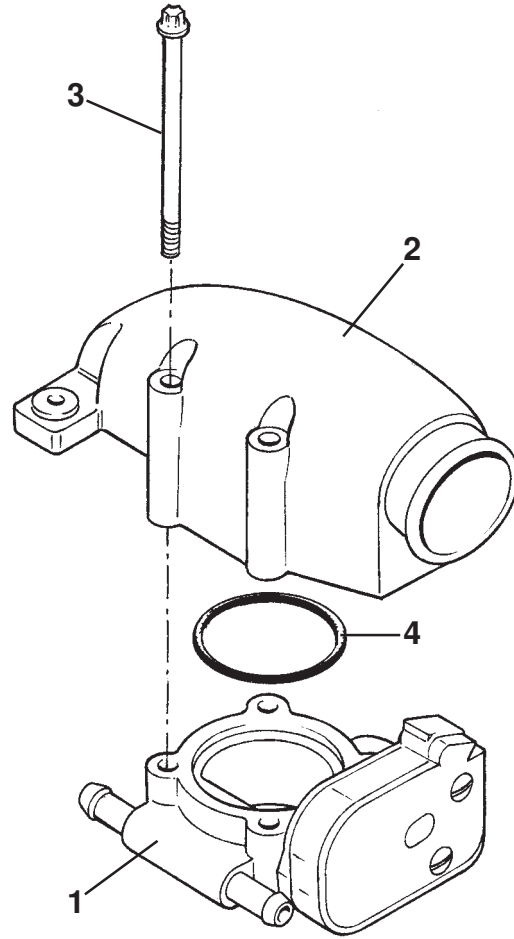
---

**Function Code 42.01 Airboxes, Trunking & Air Filters**

<u>Dep</u>	<u>Part Description</u>	<u>Remarks</u>	<u>Option</u>	<u>Part Number</u>	<u>Qty</u>
19	Bracket, airbox retention	Part of airbox assembly		A124E66320S	1

---





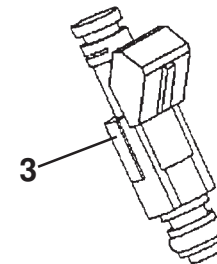
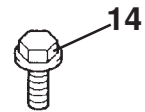
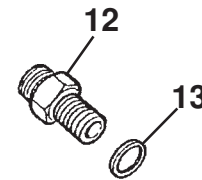
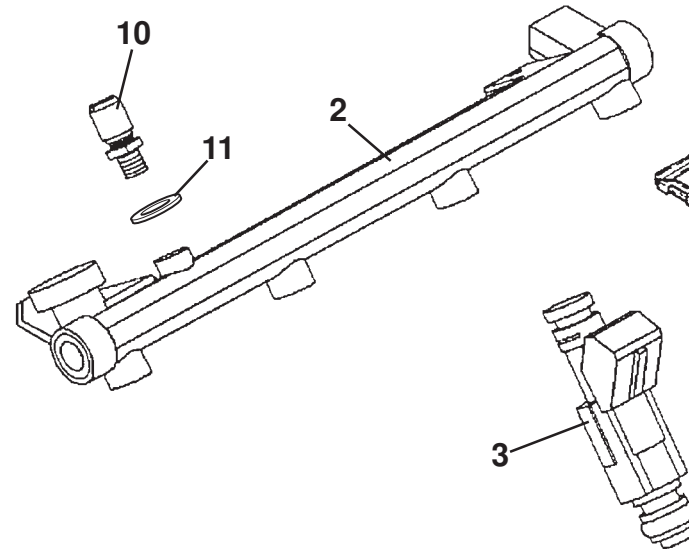
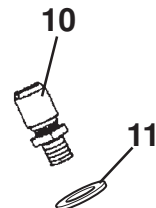
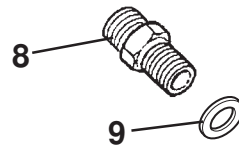
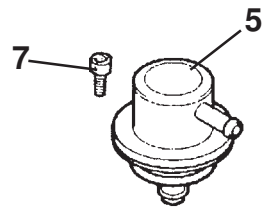
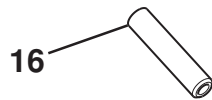
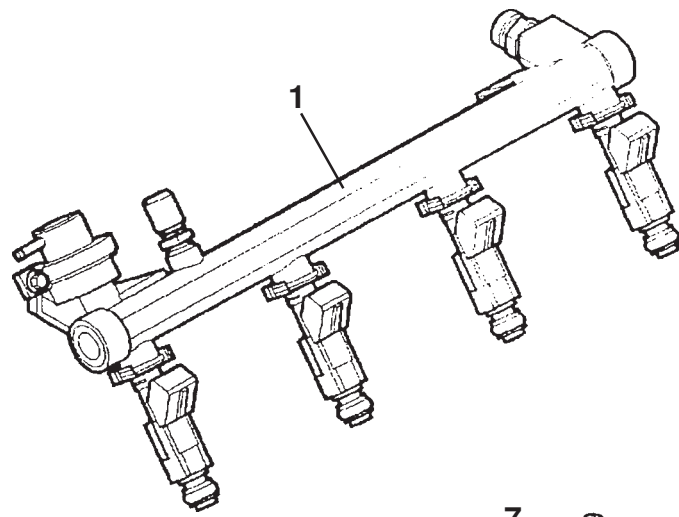
**EUROPA**  
**42.04**

---

**Function Code 42.04 Throttle Body, Mechanism & IAC Valve**

<u>Dep</u>	<u>Part Description</u>	<u>Remarks</u>	<u>Option</u>	<u>Part Number</u>	<u>Qty</u>
01	Throttle Body, electronic control			A124E6310S	1
02	Throttle Body Inlet			A124E0029F	1
03	Bolt, M6 x 95, torx hd. Inlet/throttle body to manifold			A124E6311S	4
04	'O' Ring, inlet to throttle body			A124E6312S	1

---



**EUROPA**  
**42.05**

*Updated 16th July 2012*

# Service Parts List

# EUROPA



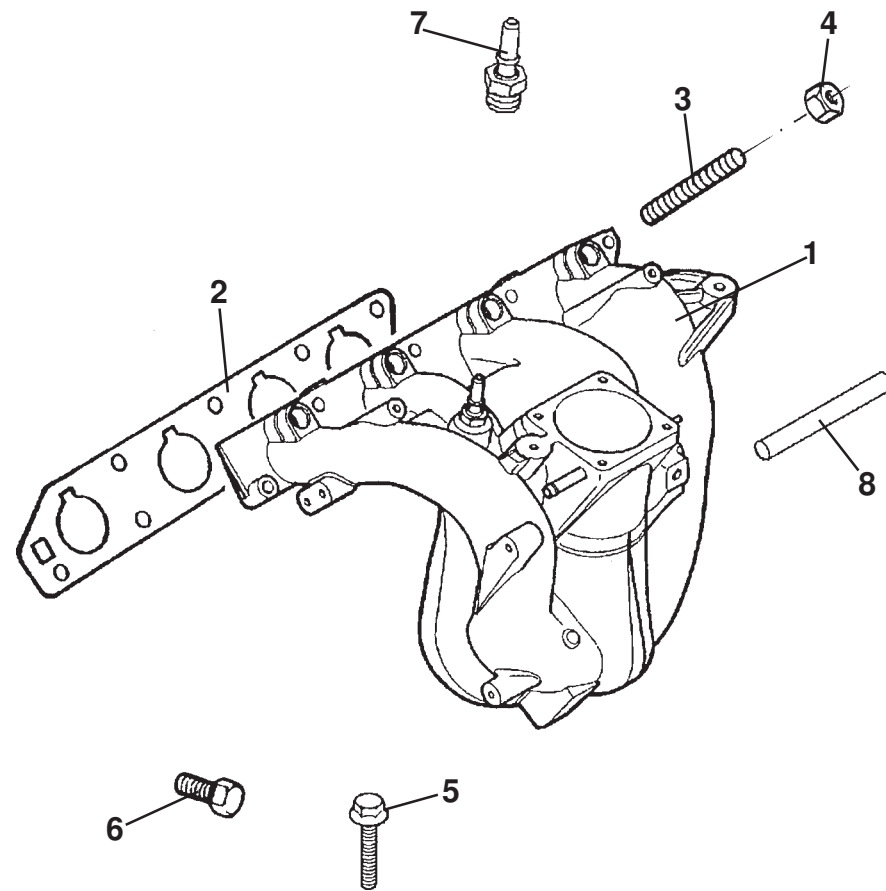
## Function Code 42.05 Fuel Injection System

<u>Dep</u>	<u>Part Description</u>	<u>Remarks</u>	<u>Option</u>	<u>Part Number</u>	<u>Qty</u>
01	Fuel Rail Assembly			A124E6117S	1
02	Fuel Rail			A124E6108S	1
03	Fuel Injector Assembly			A124E6219S	4
04	Retainer, fuel injector			A124E6091S	4
05	Fuel Pressure Regulator			A124E6120S	1
06	Clamp, fuel pressure regulator			A124E6131S	1
07	Screw, fuel pressure regulator			A124E6058S	1
08	Fitting, injector return pipe			A124E6096S	1
09	Seal Ring, injector return pipe			A124E6029S	1
10	Valve, test, fuel pressure			A124E6124S	1
11	Washer, valve to fuel rail			A124E6101S	1
12	Fitting, injector feed pipe			A124E6095S	1
13	Seal Ring, injector feed pipe			A124E6030S	1
14	Screw, fuel injector			A124E6020S	1
15	Screw, M6 x 28, hex. hd., injector rail			A124E6217S	1
16	Vacuum Pipe, fuel regulator			A124E6018S	1

EUROPA

Function Code: 42.05, Page: 1

*Updated 24th January 2013*



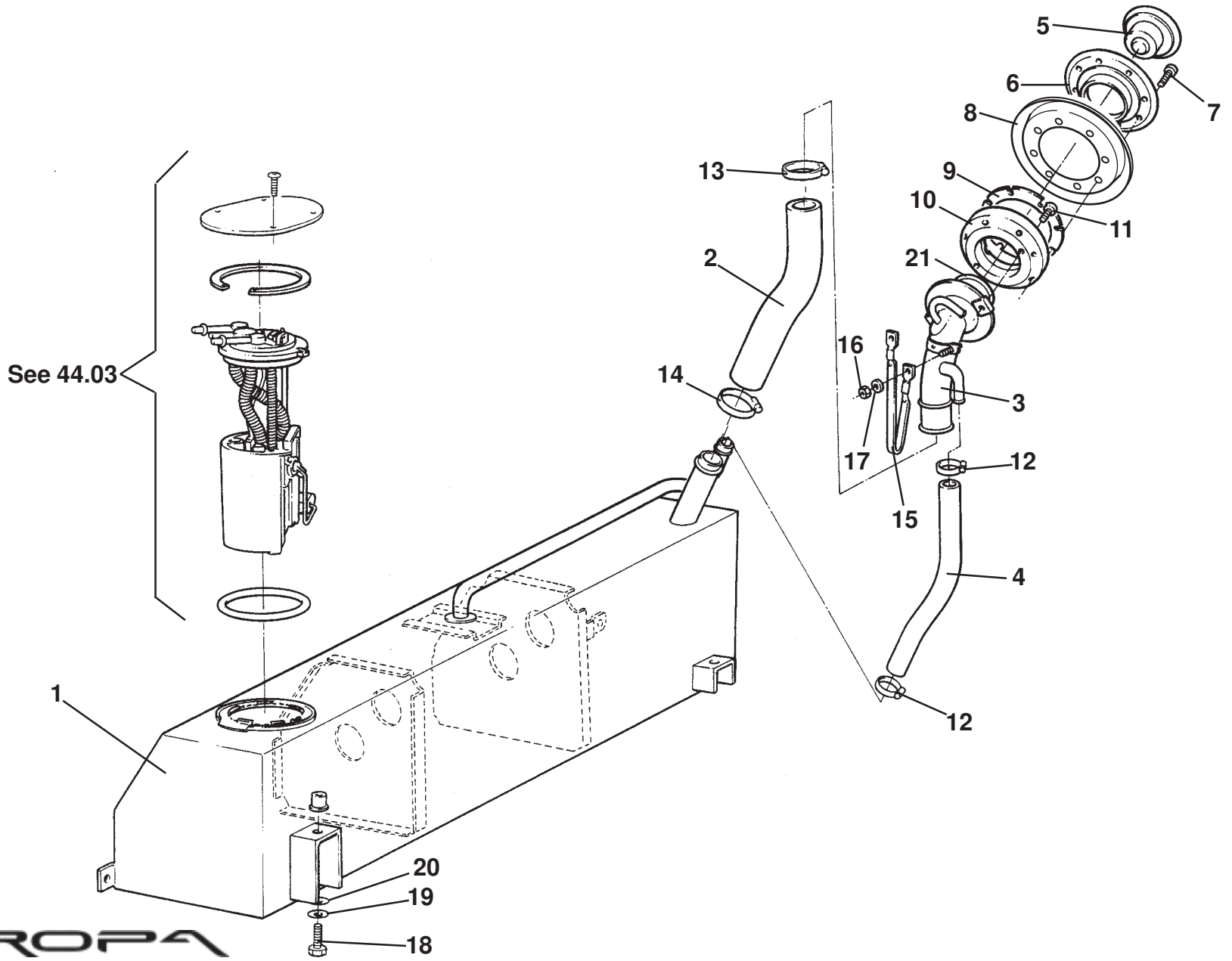
EUROPA

42.07

---

**Function Code 42.07 Inlet Manifold, Plenum & gaskets**

<u>Dep</u>	<u>Part Description</u>	<u>Remarks</u>	<u>Option</u>	<u>Part Number</u>	<u>Qty</u>
01	Inlet Manifold	Includes items 7 & 8		<b>A124E6069S</b>	1
02	Gasket, inlet manifold			<b>A124E6114S</b>	1
03	Stud, M8 x 25, manifold fix.			<b>A124E6191S</b>	7
04	Nut, inlet manifold fix.	Pack of fifty		<b>A124E6032S</b>	7
05	Screw, M8 x 40, hex. hd., inlet manifold			<b>A124E6037S</b>	1
06	Screw, M8 x 8, hex. hd., manifold support to block			<b>A124E6294S</b>	2
07	Fitting, servo vacuum hose to manifold			<b>A124E6133S</b>	1
08	Vacuum Pipe, fuel pressure regulator			<b>A124E6018S</b>	1



**EUROPA**

**44.01**

*Updated 24th January 2013*

# Service Parts List

# EUROPA



## Function Code 44.01 Fuel Tanks, Filler

<u>Dep</u>	<u>Part Description</u>	<u>Remarks</u>	<u>Option</u>	<u>Part Number</u>	<u>Qty</u>
01	Fuel Tank			C117L0055F	1
02	Hose, fuel filler			B117L0060F	1
03	Filler Neck			D117L0002F	1
04	Hose, fuel breather			B117L0062F	1
05	Fuel Cap, including lock barrel & Keys, black body	Master keys without handle, Keys are L-code*		C117L0025J	1
05a	Fuel Cap, less lock barrel, black body	Cap only, order with vehicle lock set, or item 5b		A138L0163F	1
05b	Lock Barrel & Keys, for the fuel cap	Master keys without handle, Keys are L-code*		A117L6050S	1
06	Ring, fuel cap to clamshell			B117L0024F	1
07	Setscrew, M5 x 15, cap hd, filler neck to body			A117L6033F	8
08	Sealing Ring, glass to fuel filler			B124B0140F	1
09	Gasket, ring to bodyside			B117L0027F	1
10	Spacer Ring, filler to clamshell			B117L0021F	1
11	Screw, ring to filler neck			A117L6032H	2
12	Hose Clip, breather hose			A117W6706F	2
13	Hose Clip, filler hose, upper			A117W6678F	1
14	Hose Clip, filler hose, lower			A117W6684F	1
15	Earth Braid			A079M4094F	1

EUROPA

Function Code: 44.01, Page: 1

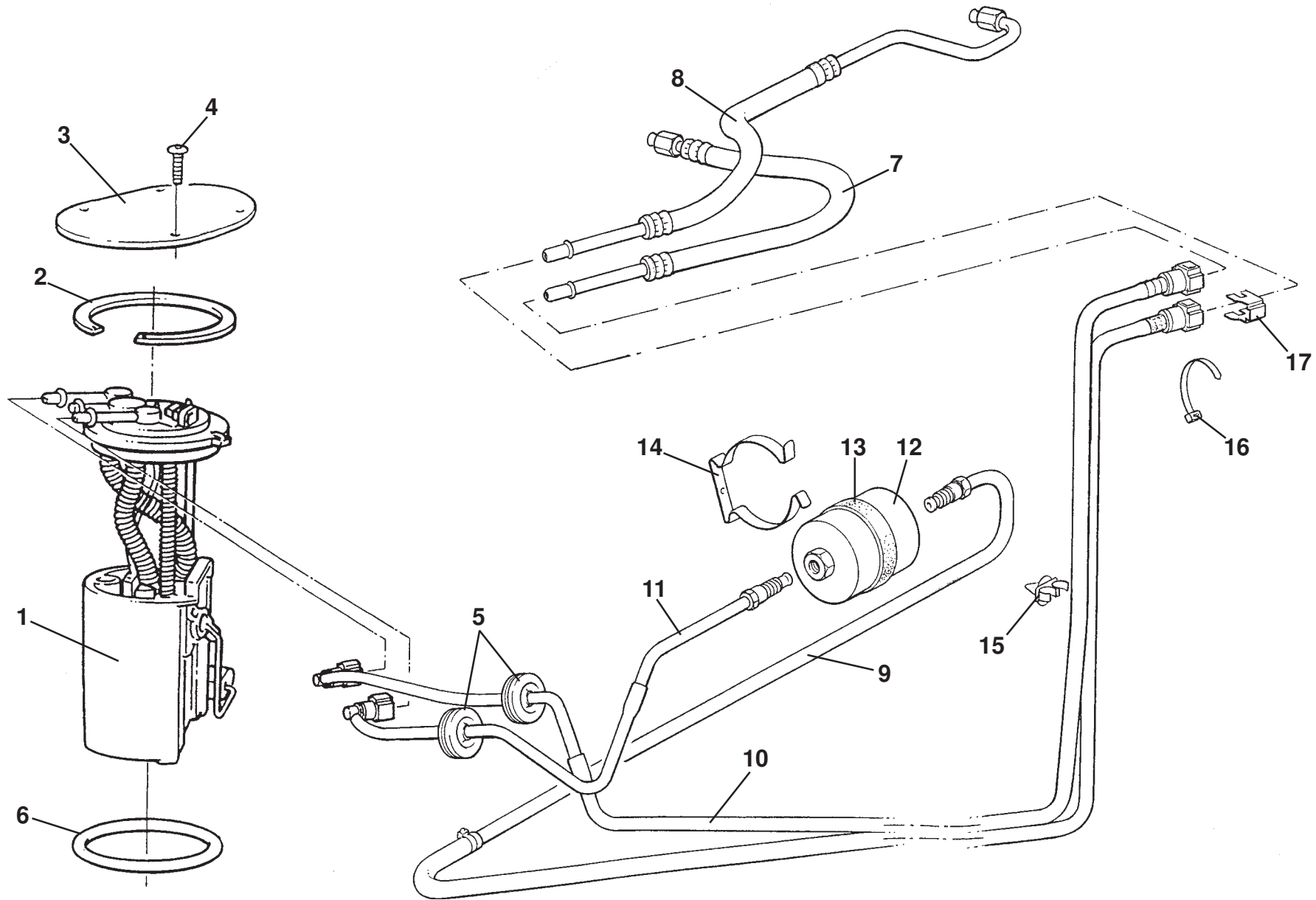
*Updated 3rd March 2017*



---

**Function Code 44.01 Fuel Tanks, Filler**

<u>Dep</u>	<u>Part Description</u>	<u>Remarks</u>	<u>Option</u>	<u>Part Number</u>	<u>Qty</u>
16	Nyloc Nut, M5, braid to filler neck			A075W3008Z	2
17	Washer, flat, M5 x 10 x 0.8, S/S			A082W4129F	2
18	Setscrew, M8 x 25, tank to chassis			A075W1039Z	4
19	Washer, spring, M8, tank to chassis			A075W4036Z	4
20	Washer, flat, M8, tank to chassis			A075W4019Z	4
21	'O' Ring, nitrile, filler cap sealing			A117L6005F	1



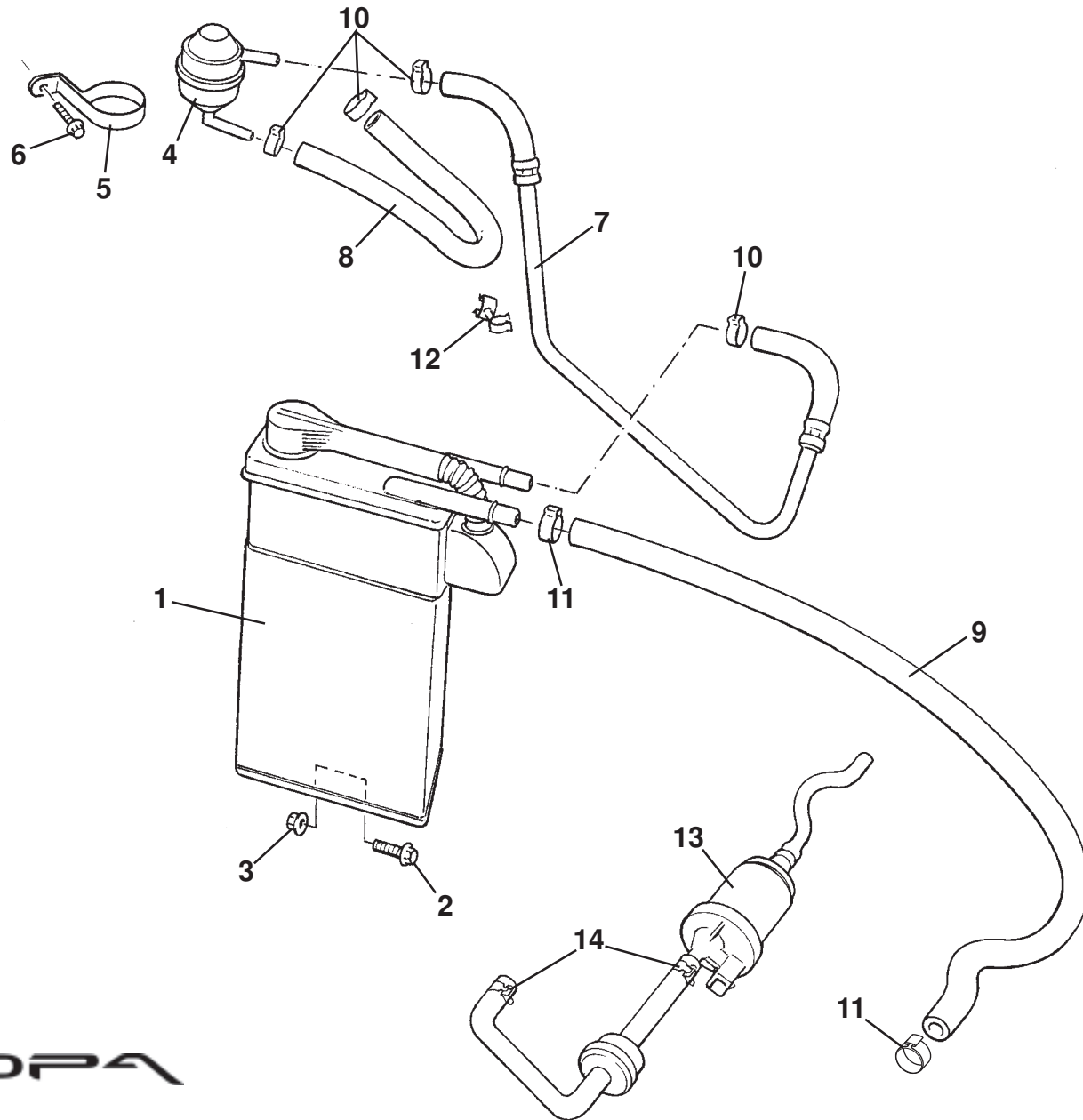
**EUROPA**

**44.03**

---

**Function Code 44.03 Fuel Pump; Filter, Pipes**

<u>Dep</u>	<u>Part Description</u>	<u>Remarks</u>	<u>Option</u>	<u>Part Number</u>	<u>Qty</u>
01	Fuel Pump and Sender Unit			B116L6001L	1
02	Circlip, pump to tank			A116L6011F	1
03	Access Panel, fuel tank			A120L0046F	1
04	Screw, access cover			A111W7117F	4
05	Grommet, pipes through tank bay			A082L6181H	2
06	'O' Ring, fuel pump to tank			A116L6013F	1
07	Hose, fuel feed, pipe to fuel rail			A124L0006F	1
08	Hose, fuel return, fuel rail to pipe			A116L0076F	1
09	Pipe Assembly, fuel feed, filter to hose			A124L0012F	1
10	Pipe Assembly. Fuel return, hose to pump			A124L0013F	1
11	Pipe Assembly, fuel feed, pump to filter			B116L0074F	1
12	Fuel Filter			A116L0073F	1
13	Mounting Clip, fuel filter			A116L6060F	1
14	Rubber, self adhesive, 1" x 1/8", clip to filter			A036B6221F	1
15	Clip, fuel pipes retention	Subframe & header tank bracket		A116W6727F	4
16	Cable Tie, fuel pipe to bracket			A116K6020F	4
17	Double Lock Connect, fuel feed/return	Fuel connector security		A120W6757F	2



**EUROPA**  
**44.05**

# Service Parts List

# EUROPA



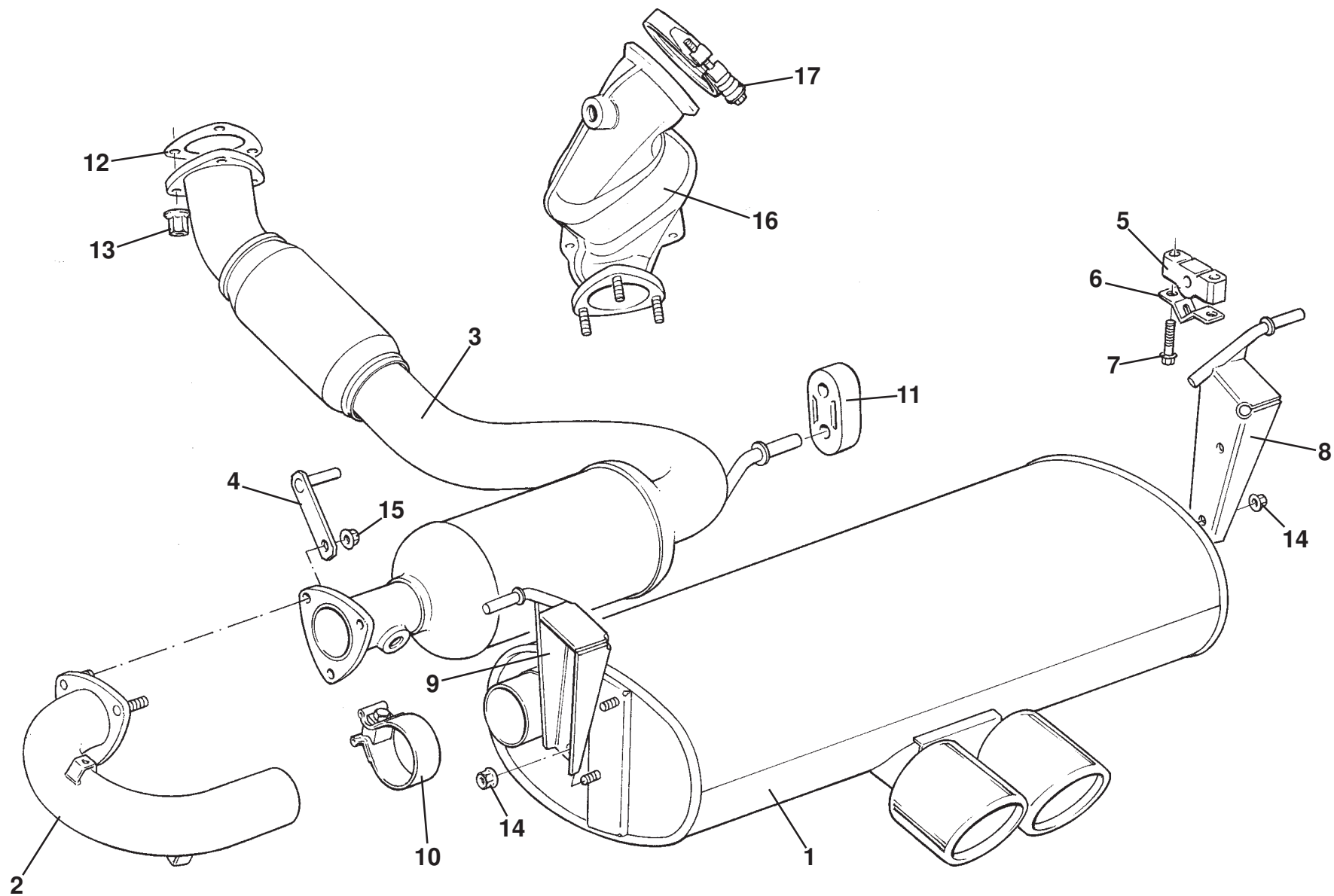
## Function Code 44.05 Charcoal Canister & Evaporative Loss System.

<u>Dep</u>	<u>Part Description</u>	<u>Remarks</u>	<u>Option</u>	<u>Part Number</u>	<u>Qty</u>
01	Charcoal Canister Assembly			A116L6058F	1
02	Bolt, M6 x 16, flg. hd., canister to bracket			A918W5208F	1
03	Flange Nut, M6, canister to bracket			A117W3180F	1
04	Roll-over Valve			A117L6039F	1
05	Clamp, roll-over valve mounting			A111L6012F	1
06	Bolt, M6 x 16, flg. hd., clamp to backstay			A918W5208F	1
07	Hose, roll-over valve to canister			D124L0003F	1
08	Hose, roll-over valve to filler neck			B124L0004F	1
09	Hose, canister to purge valve			B124L0005F	1
10	Hose Clip, oetiker, 13.8mm, hoses			A116W6657F	4
11	Hose Clip, oetiker, 15.0mm, purge valve hose			A117L6044F	2
12	Pipe Clip, ROV hose retention			A116L0082F	1
13	Purge Valve			A120E6296S	1
14	Hose Clamp, 14mm, hose fixing			A120E6297S	2

EUROPA

Function Code: 44.05, Page: 1

*Updated 5th January 2015*



**EUROPA**  
**45.01**

# Service Parts List

# EUROPA



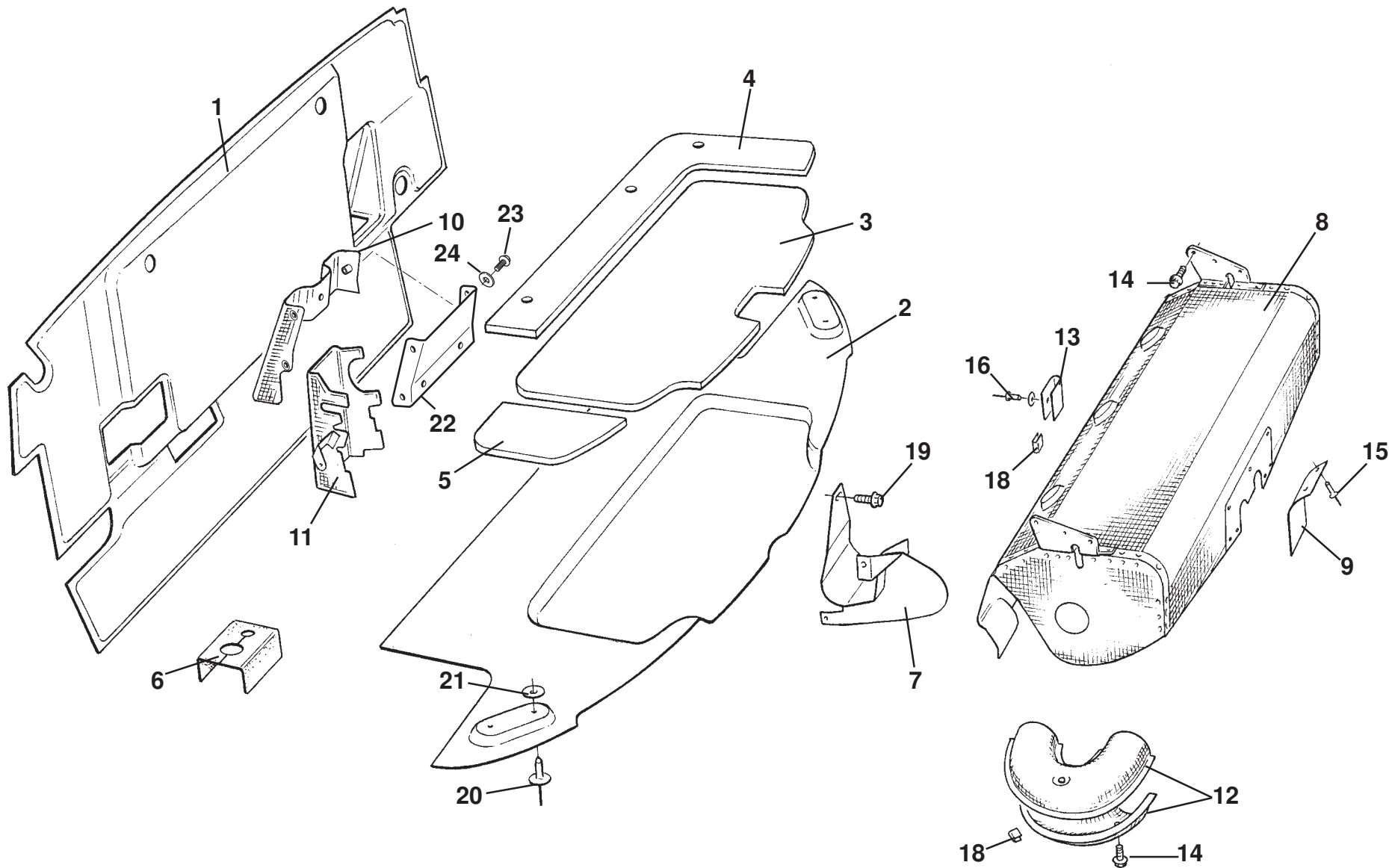
## Function Code 45.01 Exhaust System

<u>Dep</u>	<u>Part Description</u>	<u>Remarks</u>	<u>Option</u>	<u>Part Number</u>	<u>Qty</u>
01	Muffler Assembly			C124S0001H	1
02	Pipe Assembly, catalyst to muffler			A124S0002H	1
03	Catalyst/Downpipe Assembly			B116S0047H	1
04	Bracket, catalyst to subframe			A116S0020F	1
05	Exhaust Mounting, silicon, exhaust to subframe			A111S0071F	3
06	Clip, exhaust hanger			A117S0049F	3
07	Bolt, M6 x 35, flg. hd., mounting to subframe			A116W2191F	6
08	Hanger Bracket, RH			B124S0004H	1
09	Hanger Bracket, LH			B124S0005H	1
10	Clamp, pipe to muffler	Refer to TSB 2008/07		B116S6001H	1
11	Rubber Mount, catalyst to subframe			A116S6015F	1
12	Gasket, exhaust manifold to catalyst assy.			A116S6022F	1
13	Nut, M8, flange, exhaust manifold to catalyst assy.			A116W3182F	3
14	Nut, M8, flange, brackets to muffler			A111W3154F	4
15	Locknut, M8, flange, catalyst to pipe			A075W3035Z	3
16	Pre-catalyst Assembly			B116S6013L	1
17	Clamp, pre-catalyst to turbo			A124S6000S	1

EUROPA

Function Code: 45.01, Page: 1

*Updated 31st May 2013*



**EUROPA**  
**45.05**

*Updated 4th November 2011*



# Service Parts List

# EUROPA



## Function Code 45.05 Heatshields

<u>Dep</u>	<u>Part Description</u>	<u>Remarks</u>	<u>Option</u>	<u>Part Number</u>	<u>Qty</u>
01	Heatshield, bulkhead			B124B0104F	1
02	Heatshield, bootbox			A124S0019F	1
03	Heatshield, boot floor insulation, central			A124V0015F	1
04	Heatshield, boot floor insulation, RH			A124V0014F	1
05	Heatshield, boot floor insulation, LH			A124V0013F	1
06	Heatshield, fuel tank closing panel			B117S0046F	1
07	Heatshield, driveshaft gaiter			C124S0011F	1
08	Heatshield, muffler			B124S0013F	1
09	Heatshield Deflector			A124S0015K	1
10	Heatshield, turbo upper			D116S0037F	1
11	Heatshield, turbo lower			D124S0017F	1
12	Heatshield Assembly, muffler 'U' bend			A116S0050K	1
13	Spacer Bracket			A116S0033F	1
14	Bolt, M6 x 14, flg. hd., heatshields fixing			A116W5233F	12
15	Pop Rivet, deflector to heatshield			A085W6259F	2
16	Pop Rivet, bracket to subframe			A075W6069Z	1
17	Washer, flat, M5 x 19 x 1.4 S/S black, bracket to subframe			B082W4107F	1
18	Edge Clip, 'U' bend assy./heatshield to bracket	7 off on 'U' bend assy.		A111W6568F	8

EUROPA

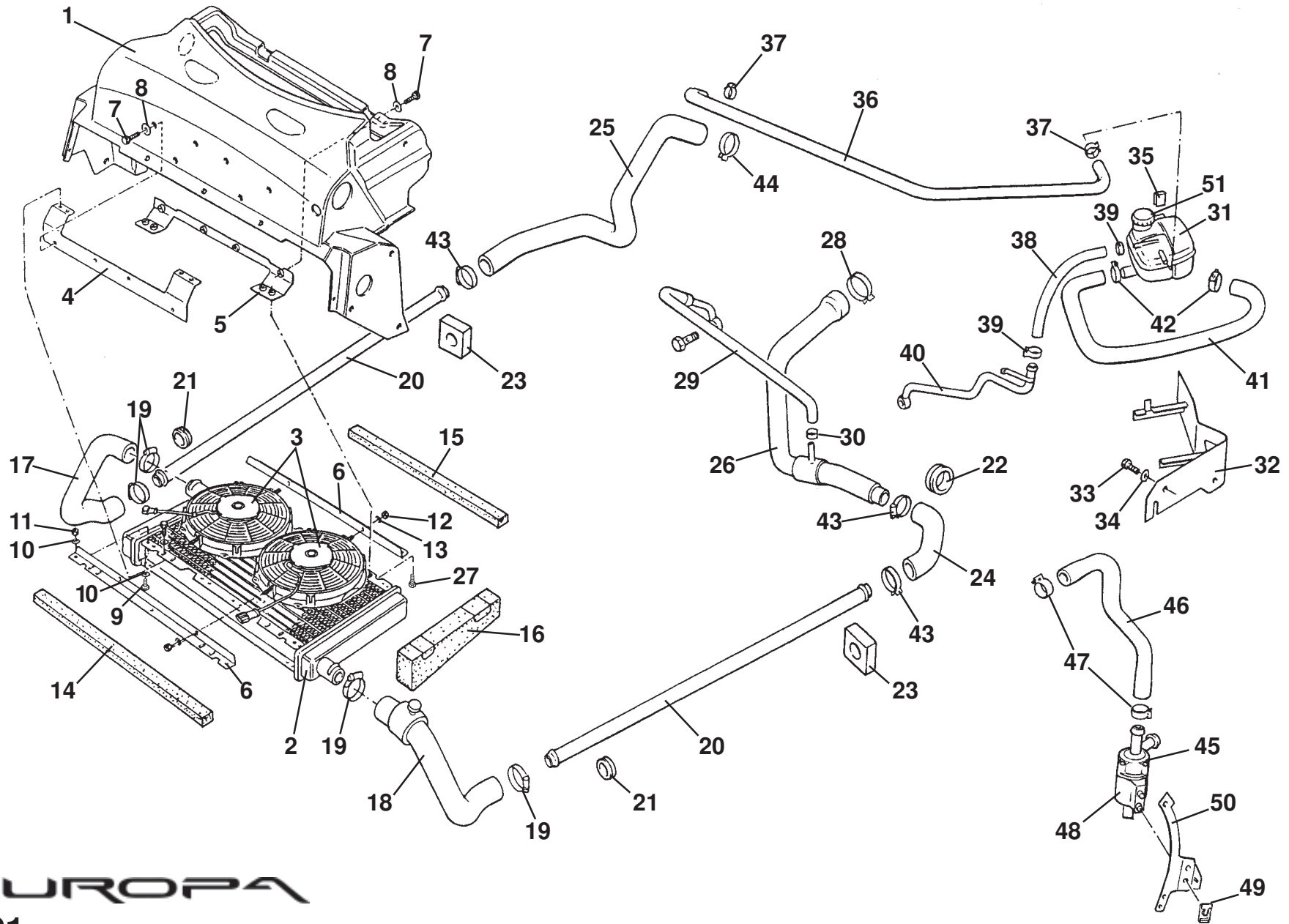
Function Code: 45.05, Page: 1

Updated 4th November 2011

---

**Function Code 45.05 Heatshields**

<u>Dep</u>	<u>Part Description</u>	<u>Remarks</u>	<u>Option</u>	<u>Part Number</u>	<u>Qty</u>
19	Screw, M8 x 12, flg. hd., gaiter heatshield to engine			A116W5273F	1
20	Pop Rivet, heatshield to bootbox			A111W6614F	4
21	Washer, flat, M5 x 25 x 1.4, heatshield to bootbox			A082W4098F	4
22	Bracket, heatshield turbo mounting			B116S0051F	1
23	Screw M5 x 16 hex			A075W1085F	4
24	Washer Flat 3/16 x 3/4 x 16g s/s			B075W4009Z	4



**EUROPA**  
46.01

# Service Parts List

# EUROPA



## Function Code 46.01 Engine Cooling System & Fan

<u>Dep</u>	<u>Part Description</u>	<u>Remarks</u>	<u>Option</u>	<u>Part Number</u>	<u>Qty</u>
01	Radiator Housing			B124B0015F	1
02	Radiator			A117K0021F	1
03	Radiator Cooling Fan			A124K6002S	2
04	Bracket, radiator mounting, front			A124K0006F	1
05	Bracket, radiator mounting, rear			B124K0007F	1
06	Bracket, fan mounting			A124K6001S	2
07	Screw, M8 x 16, hex. hd., bracket to housing			A075W1036Z	8
08	Washer, flat, M8 x 25 x 1.5 S/S, bracket to housing			B075W4021F	8
09	Screw, M5 x 12, hex. hd., bracket to radiator			A075W1021Z	6
10	Washer, flat, M5 x 18 x 1.4, bracket to radiator			B075W4009Z	12
11	Nyloc Nut, M5, bracket to radiator			A075W3008F	6
12	Nyloc Nut, M6, fan to bracket			A075W3009F	4
13	Washer, flat, M6 x 16 x 1.5 S/S black, fan to bracket			A082W4133F	4
14	Foam, radiator front			A124K0009F	1
15	Foam, radiator rear			A124K0010F	1
16	Foam, radiator sides			A124K0008F	2
17	Hose, pipe to radiator, RH			A124K0004F	1
18	Hose, pipe to radiator, LH			B124K0005F	1

EUROPA

Function Code: 46.01, Page: 1

*Updated 3rd March 2017*

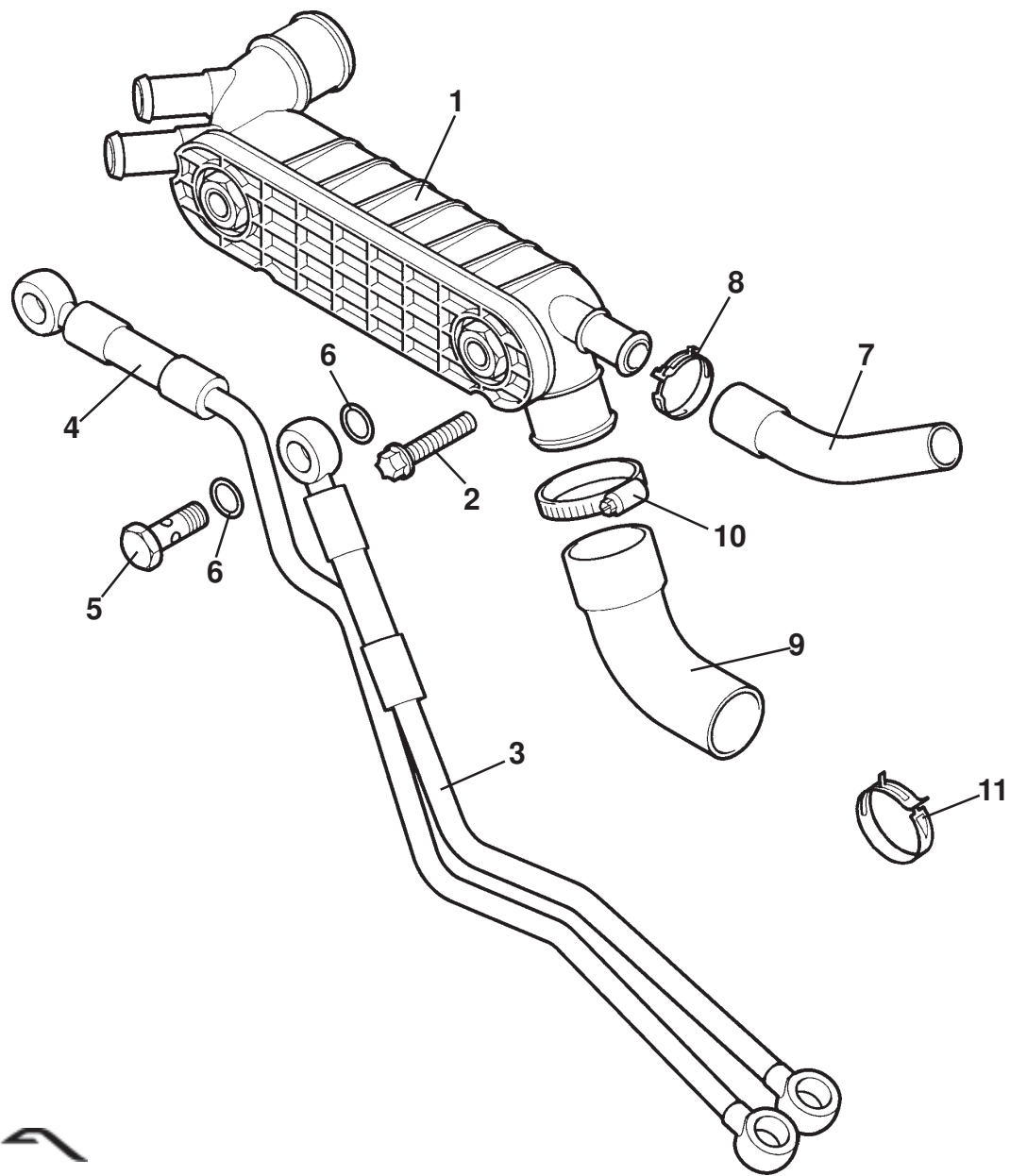
**Function Code 46.01 Engine Cooling System & Fan**

<u>Dep</u>	<u>Part Description</u>	<u>Remarks</u>	<u>Option</u>	<u>Part Number</u>	<u>Qty</u>
19	Hose Clip, hose to chassis pipes			A075M6145F	2
19a	Hose Clip, hose to radiator			A120W6892F	2
20	Pipe, chassis water rail			B116K0018F	2
21	Grommet, pipe through chassis, front			A111K6006F	2
22	Grommet, pipe through chassis, rear			A082K6022F	1
23	Seal, pipe to chassis			A111A0033F	2
24	Hose, return from chassis pipe			B116K0016F	1
25	Hose, engine outlet to chassis pipe			A116K0029F	1
26	Hose, return to oil cooler			A116K0030F	1
27	Bolt, M8 x 16, flg. hd., radiator to bracket			A117W2202F	4
28	Hose Clamp, 40mm, hose to oil cooler			A116K6015F	1
29	Hose Assembly, turbo feed			A124K0019F	1
30	Hose Clamp, 14mm, hose to 'T' piece			A116K6017F	1
31	Header Tank	Also order cap, item 51. Includes level sensor		A116K0037F	1
32	Bracket, header tank mounting			D116K0042F	1
33	Screw, M8 x 20, hex. hd., bracket to backstay			A075W1038Z	2
34	Washer, flat, M8 x 20.5 x 1.4, bracket to backstay			A082W4165F	2
35	Clamp, tank to bracket			A116K6012F	1
36	Hose, header tank to engine			A124K0011S	1
37	Hose Clamp, 14mm, hose to tank & engine			A116K6017F	2

---

**Function Code 46.01 Engine Cooling System & Fan**

<u>Dep</u>	<u>Part Description</u>	<u>Remarks</u>	<u>Option</u>	<u>Part Number</u>	<u>Qty</u>
38	Hose, turbo return			A124K0018F	1
39	Hose Clamp, 14mm, hose to pipe & tank			A116K6017F	2
40	Pipe, S/S, turbo return			A124E0041H	1
41	Hose, header tank to oil cooler			A124K0003F	1
42	Hose Clamp, 14mm, hose to tank & oil cooler			A116K6017F	2
43	Hose Clamp, 40mm, chassis pipes to engine hoses			A116K6015F	3
44	Hose Clamp, 44mm, inlet hose to head			A116K6014F	1
45	Pump Assembly, recirc.			A124K0013F	1
46	Hose, recirc. pump to head			A124K0014F	1
47	Hose Clamp, 27mm, hose to pump/head			A116K6016F	2
48	Clamp, pump to bracket			A124K0023F	1
49	Clip, clamp to bracket			A124K0022F	2
50	Bracket, pump to engine			A124K6003S	1
51	Cap, header tank (15 psi)			A116K6010F	1



EUROPA

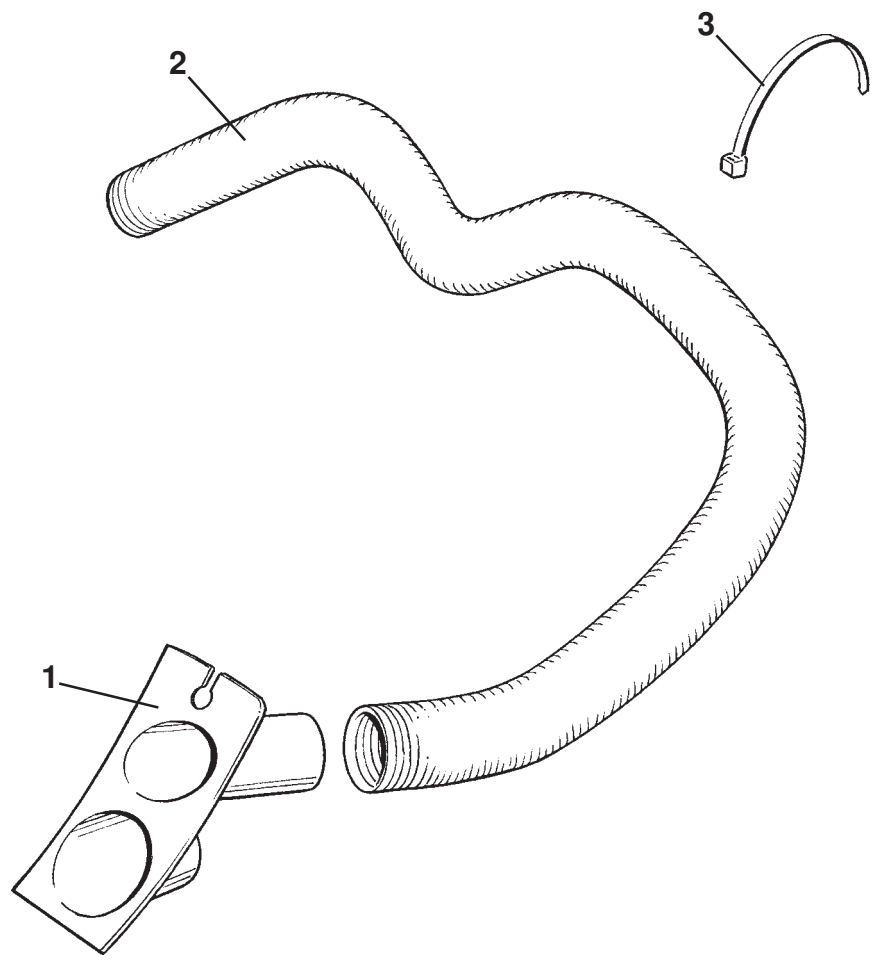
46.03

---

**Function Code 46.03 Oil Cooler & Pipes**

<u>Dep</u>	<u>Part Description</u>	<u>Remarks</u>	<u>Option</u>	<u>Part Number</u>	<u>Qty</u>
01	Oil Cooler, water to oil			A124E6125S	1
02	Screw, cooler to block			A124E6040S	2
03	Pipe, inlet			A124E6118S	1
04	Pipe, outlet			A124E6119S	1
05	Screw, hollow, pipes to cooler			A124E6121S	2
06	Seal Ring, pipes to cooler			A124E6313S	4
07	Hose, cooler to bypass housing			A124E6170S	1
08	Clamp, 29mm, hose to cooler			A124E6134S	1
09	Hose, cooler to water pump			A124E6169S	1
10	Clamp, oil cooler outlet hose			A124E6134S	1
11	Clamp, oil cooler outlet hose			A124E6184S	1





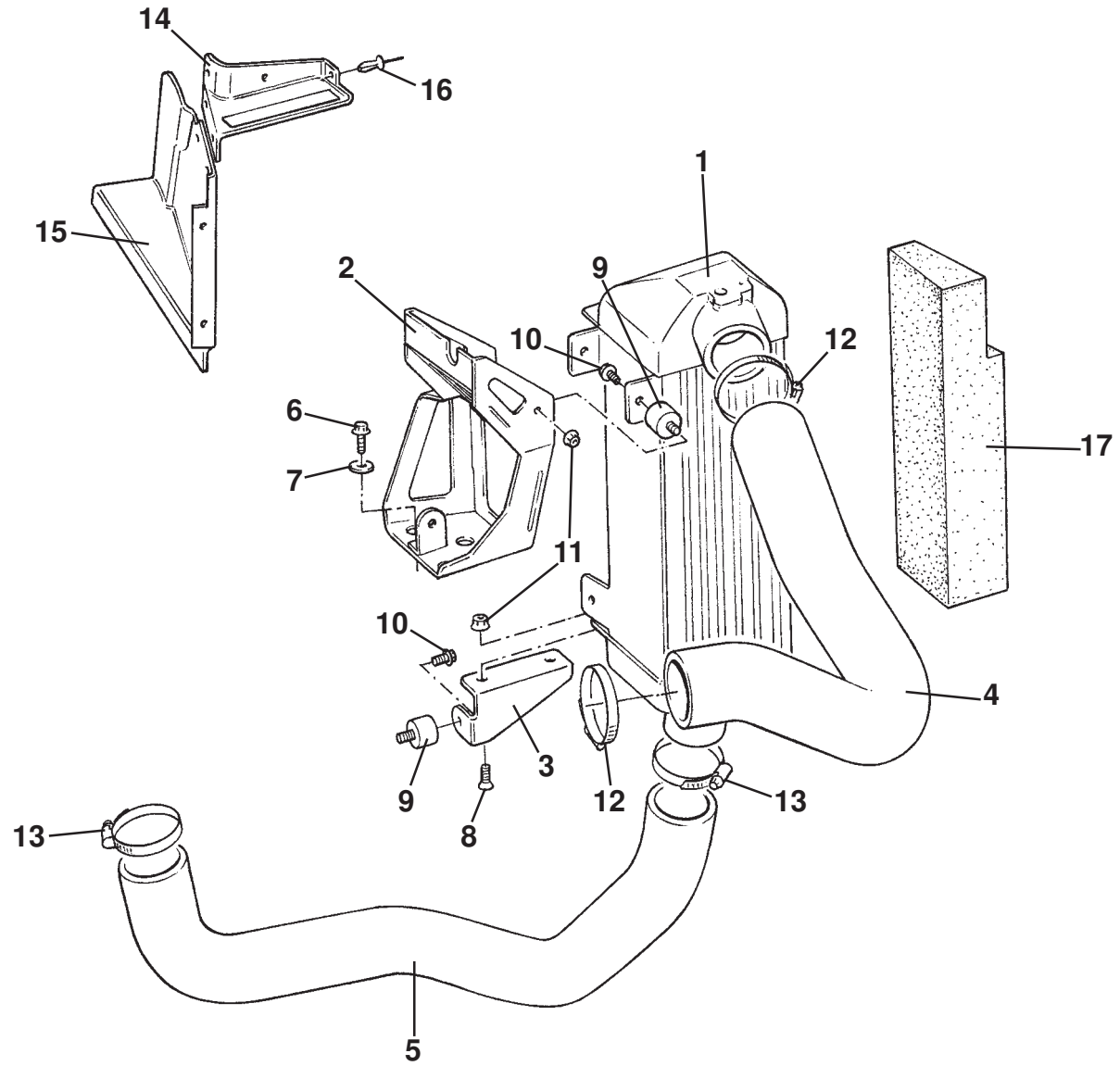
EUROPA

46.05

---

**Function Code 46.05 Engine Bay Cooling, Ducts & Trunking**

<u>Dep</u>	<u>Part Description</u>	<u>Remarks</u>	<u>Option</u>	<u>Part Number</u>	<u>Qty</u>
01	Duct, intake to airbox, & turbo cooling			C124E0050F	1
02	Ducting, high temperature, 50mm dia., intake to turbo			A124K0015V	1.2M
03	Cable Tie, ducting retention			A075W6045Z	4



**EUROPA**  
**46.10a**

# Service Parts List

# EUROPA



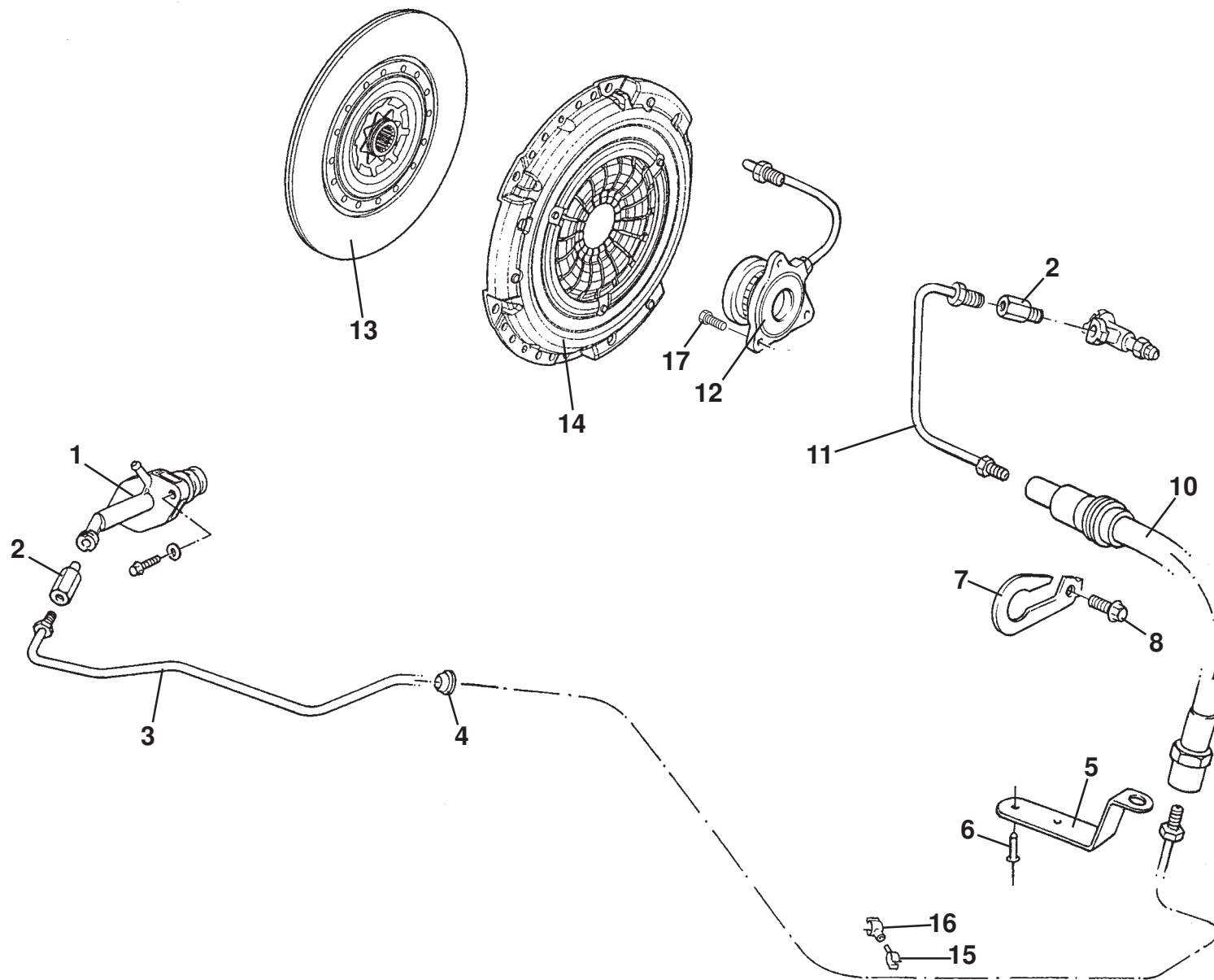
## Function Code 46.10a Intercooler & Ducting

<u>Dep</u>	<u>Part Description</u>	<u>Remarks</u>	<u>Option</u>	<u>Part Number</u>	<u>Qty</u>
01	Intercooler			B116E0014F	1
02	Bracket Assembly, intercooler to chassis			C124E0014F	1
03	Bracket, lower, intercooler to chassis			C124E0022F	1
04	Hose, intercooler to engine			A116E0022F	1
05	Hose, turbo to intercooler			A124E0007F	1
06	Bolt, M6 x 20, fig. hd., bracket to chassis			A117W2203F	3
07	Washer, flat, M6 x 18, bracket to chassis			B082W4018F	3
08	Screw, M6 x 20, csk. pozi., bracket to chargecooler			A079W5092F	2
09	Rubber Bobbin, intercooler mounting			A082J6177F	3
10	Screw, M6 x 12, flg. hd., bobbin to brackets			A111E6007F	3
11	Flange Nut, M6, bobbin/bracket fixing			A117W3187F	4
12	Hose Clip, 61-72mm, hose intercooler to throttle body			A116E6062F	2
13	Hose Clip, 54-64mm, hose turbo to intercooler			A116E6064F	2
14	Duct, bodyside upper			A124B0205F	1
15	Duct, bodyside inner			A124B0204F	1
16	Pop Rivet, plastic, duct retention			A082W6528F	7
17	Foam, intercooler closing			A124B0217F	1

EUROPA

Function Code: 46.10a, Page: 1

*Updated 3rd February 2014*



EUROPA

47.01

# Service Parts List

# EUROPA



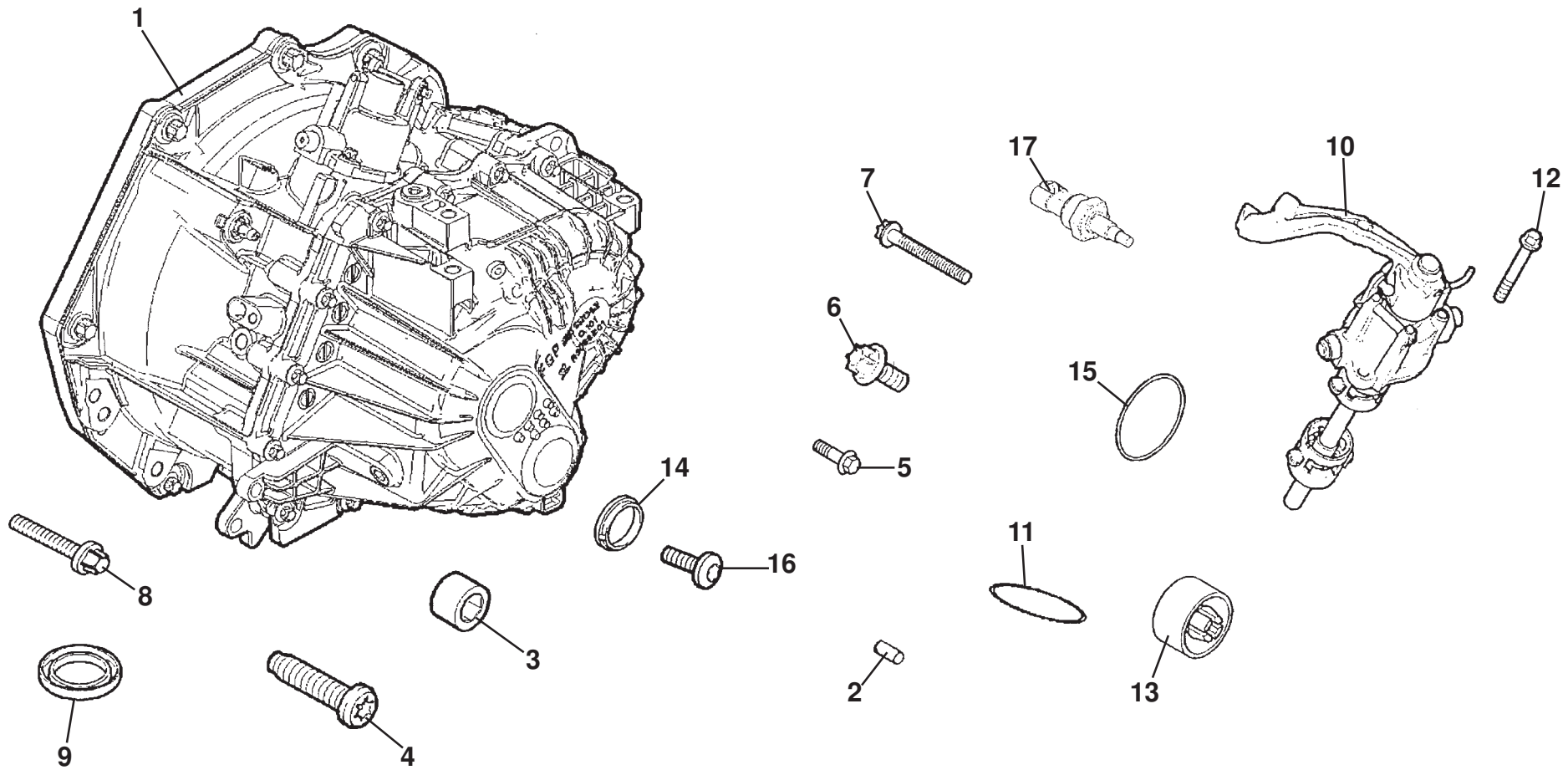
## Function Code 47.01 Clutch & Release Mechanism

<u>Dep</u>	<u>Part Description</u>	<u>Remarks</u>	<u>Option</u>	<u>Part Number</u>	<u>Qty</u>
01	Clutch Release Master Cylinder			A120Q0007H	1
02	Quick Connector, pipe to master & slave cylinder bleed			A116Q6001F	2
03	Pipe,,clutch front, RHD			B120Q0002F	1
03a	Pipe, clutch front, LHD			B120Q0001F	1
04	Grommet, front pipe			A075U6043Z	1
05	Bracket, clutch pipe to chassis			A120Q0005F	1
06	Pop Rivet, bracket to chassis			A111W6613F	2
07	Bracket, clutch hose to transmission			B124Q0003F	1
08	Bolt, M8 x 25, flg. hd., bracket to transmission			A116W5238F	1
09	Flange Nut, M8, bracket to transmission			A111W3154F	1
10	Hose, pipe front to pipe rear			A116Q0016F	1
11	Pipe, clutch rear			C124Q0001F	1
12	Clutch Slave Cylinder			A124Q6002S	1
13	Clutch Driven Plate			A124Q6000S	1
14	Clutch Cover Assembly			A124Q6001S	1
15	Swivel Clip, black, male, pipe retention			A082W6587F	4
16	Swivel Clip, 6-10mm, pipe retention			A116W6656F	4
17	Screw, M6 x 21, hex. hd., slave cylinder fix.			A124E6300S	3

EUROPA

Function Code: 47.01, Page: 1

*Updated 2nd February 2015*



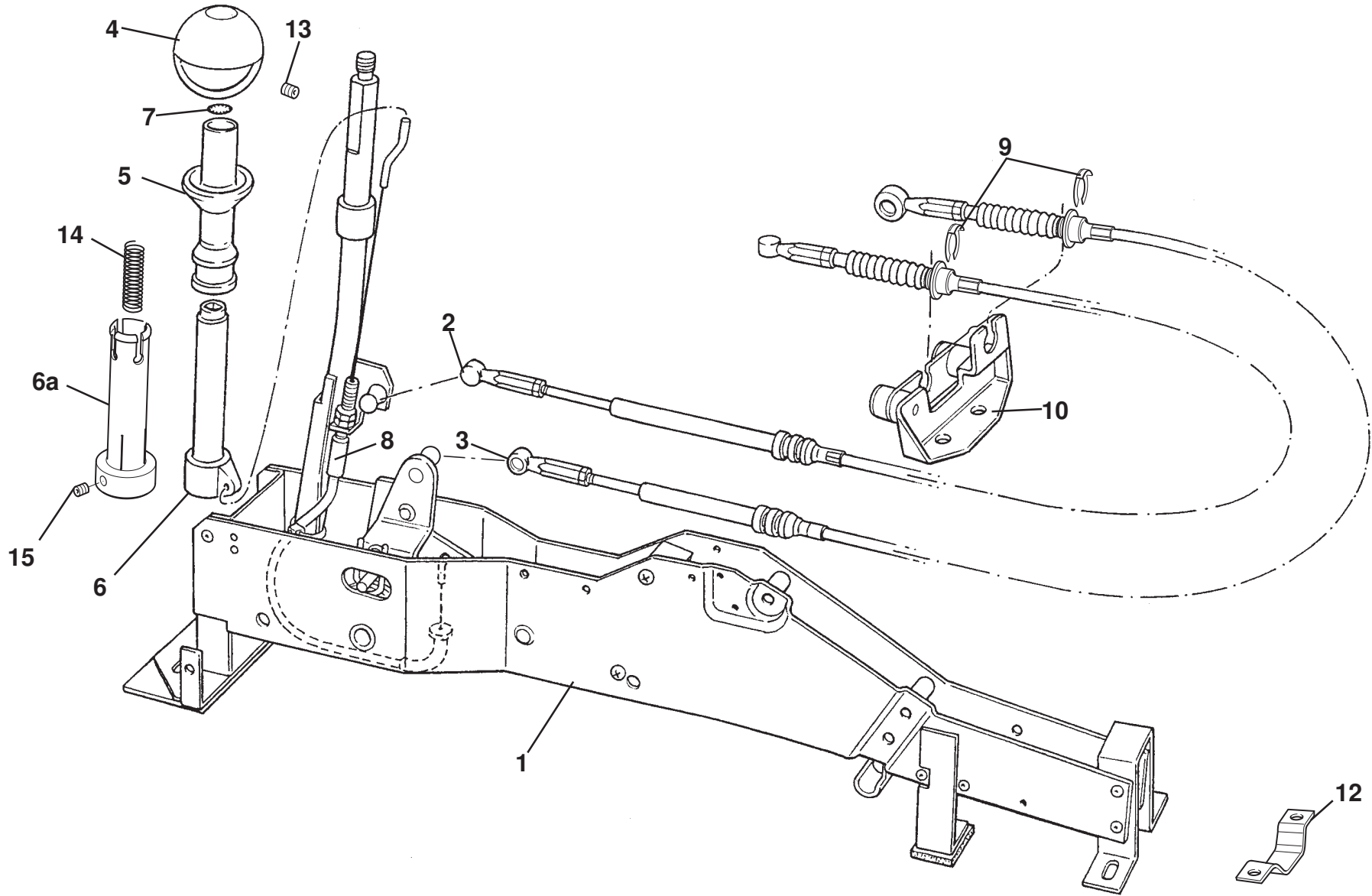
**EUROPA**  
**47.03**

---

**Function Code 47.03 Transmission Assembly**

<u>Dep</u>	<u>Part Description</u>	<u>Remarks</u>	<u>Option</u>	<u>Part Number</u>	<u>Qty</u>
01	Transaxle Assembly (3.94 FD)			A124F6000S	1
02	Sleeve, transmission to block			A124F6098S	2
03	Plug/screw, M18, oil level			A124F6010S	1
04	Screw, M8 x 30, torx hd., clutch housing to transmission			A124F6011S	1
05	Screw, M12 x 45, torx hd., transmission to engine			A124E6208S	5
06	Screw, M10 x 35, torx hd., transmission to engine			A124E6057S	4
07	Screw, M12 x 65, torx hd., transmission to engine			A124E6063S	1
08	Screw, M12 x 50, torx hd., transmission to engine			A124E6062S	1
09	Oil Seal, main drive pinion			A124F6001S	1
10	Housing, gearshift control with lever			A124F6002S	1
11	Seal Ring, housing to clutch housing			A124F6003S	1
12	Screw, M8 x 30, torx hd., housing to clutch housing			A124F6004S	2
13	Cap, transmission case ventilation			A124F6005S	1
14	Oil Seal, drive shaft			A124F6006S	2
15	Seal, differential bearing flange			A124F6007S	1
16	Screw, M8 x 25, torx hd., flange to clutch housing			A124F6008S	4
17	Switch Assembly, reverse lamp			A124F6009S	1





**EUROPA**  
**47.05**

*Updated 1st October 2015*

# Service Parts List

# EUROPA



## Function Code 47.05 Gearchange Mechanism, External

<u>Dep</u>	<u>Part Description</u>	<u>Remarks</u>	<u>Option</u>	<u>Part Number</u>	<u>Qty</u>
01	Gearshift/Parking Brake Assembly	Teleflex Morse, external lift cable		C124F0002F	1
01a	Gearshift/Parking Brake Assembly	Cofle, internal lift mechanisn		D124F0002F	
02	Cable, gearshift			A124F6012S	1
03	Cable, crossgate			A124F6013S	1
04	Gearknob, leather, six speed, 10mm thread	Fits Teleflex Morse gearshift, 01		A120U0061J	1
04a	Gearknob, alloy, six speed, 12mm thread	Fits Cofle gearshift, 01a	Standard	D120U0012F	1
04b	Gearknob, laminated wood, six speed, 12mm thread	Fits Cofle gearshift, 01a	Lux Tourer	A124U0259F	1
04c	Gearknob, laminated wood, six speed, 10mm thread	Fits Teleflex Morse gearshift, 01	ASO option	A124U0273S	1
04d	'Lotus' Decal, gearknob			LOTAC05276	1
05	Lift Tube, reverse select	Teleflex Morse, external lift cable		B120U0017F	1
06	Lift Tube Adaptor, lift tube to cable	Teleflex Morse, external lift cable		A120F6259S	1
06a	Lift Tube Adaptor, lift tube to mechanism	Cofle, internal lift mechanism		A120F6274S	1
07	Retaining Washer, lift tube to adaptor	Teleflex Morse, external lift cable		B120W6770F	1
08	Cable, reverse select	Teleflex Morse, external lift cable		A120F6258S	1
09	'C' Clip, cables to abutment			A082F6577S	2
10	Abutment, transmission casing			A124F6014S	1
11	Spacer Washer, cables to abutment			A124F6015S	2
12	Retainer, gearchange cables	On shear panel		A116F0013F	1

EUROPA

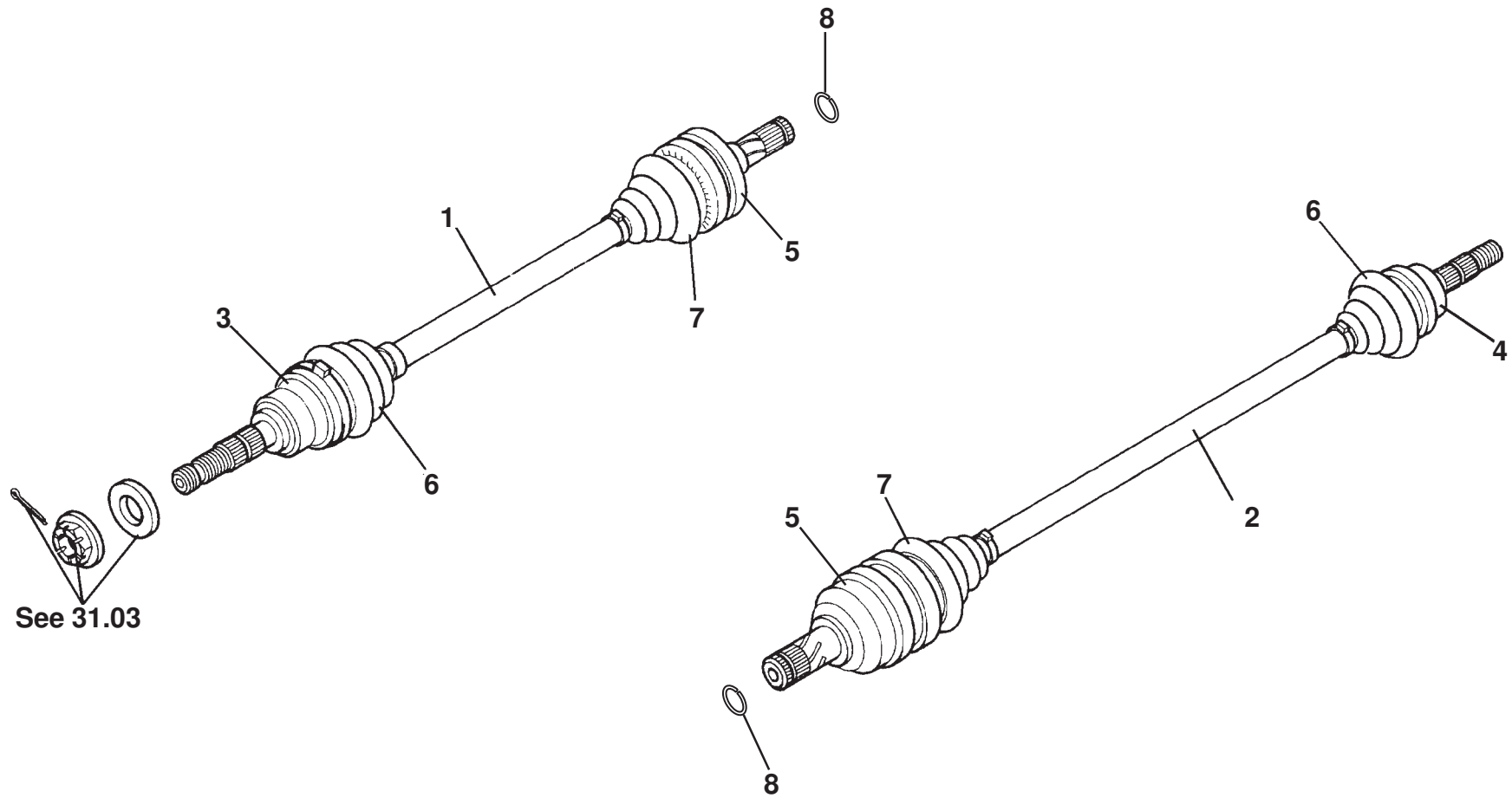
Function Code: 47.05, Page: 1

Updated 1st October 2015

---

**Function Code 47.05 Gearchange Mechanism, External**

<u>Dep</u>	<u>Part Description</u>	<u>Remarks</u>	<u>Option</u>	<u>Part Number</u>	<u>Qty</u>
13	Knurl Point Grub Screw, M5 x 16, knob to lever	Order with knob		<b>A120W5292F</b>	1
14	Spring, gear lever lift tube	Cofle type only		<b>A132F0191S</b>	1
15	Grub Screw, lift tube retention	Cofle type only		<b>A120F0028S</b>	1



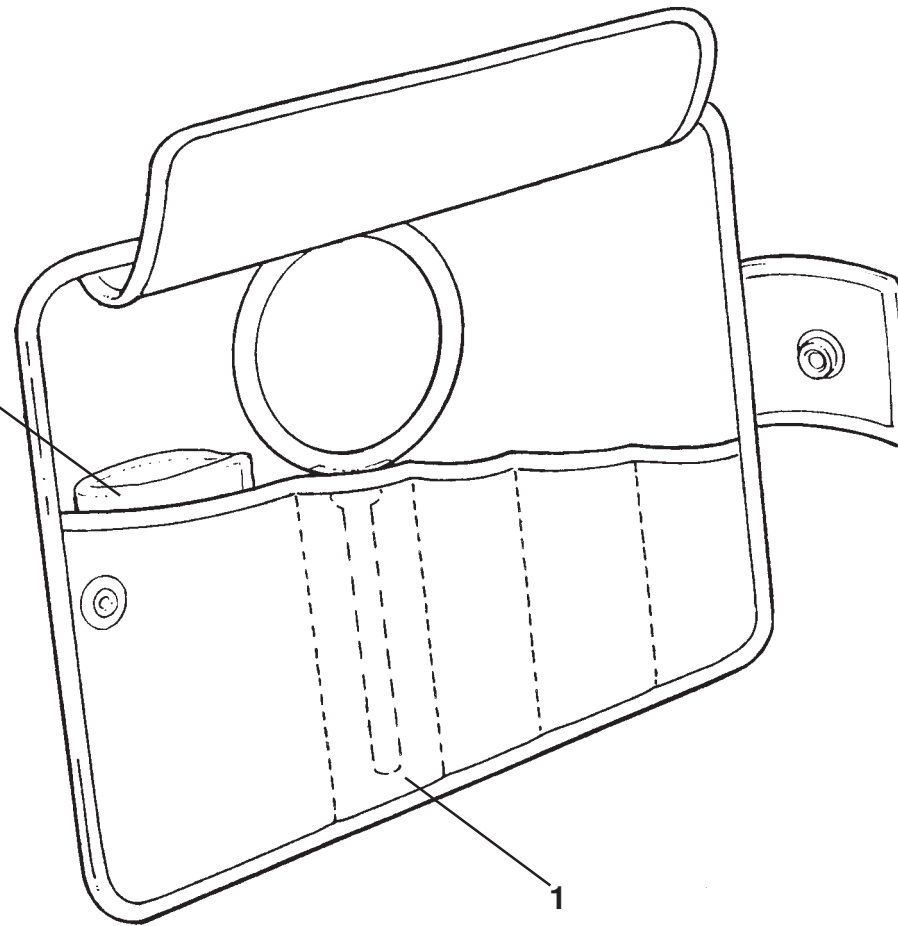
**EUROPA**  
**47.15**

---

**Function Code 47.15 Driveshafts & Seals**

<u>Dep</u>	<u>Part Description</u>	<u>Remarks</u>	<u>Option</u>	<u>Part Number</u>	<u>Qty</u>
01	Drive Shaft Assembly, LH			A124D0007F	1
02	Drive Shaft Assembly, RH			A124D0006F	1
03	CV Joint & Shaft Assy., outboard, LH	Order inboard gaiter kit, item 7		A124D6005S	1
04	CV Joint & Shaft Assy., outboard, RH	Order inboard gaiter kit, item 7		A124D6004S	1
05	CV Joint Assy., inboard	Includes gaiter, grease & circlip		A124D6006S	2
06	Gaiter Kit, outboard CV joint	Includes clips & grease		A117D6009S	2
07	Gaiter Kit, inboard CV joint	Includes clips, grease & circlip		A124D6007S	2
08	Circlip, shaft to transmission			A124D6008S	2

Wheelbolt key + ID card  
See 34.01



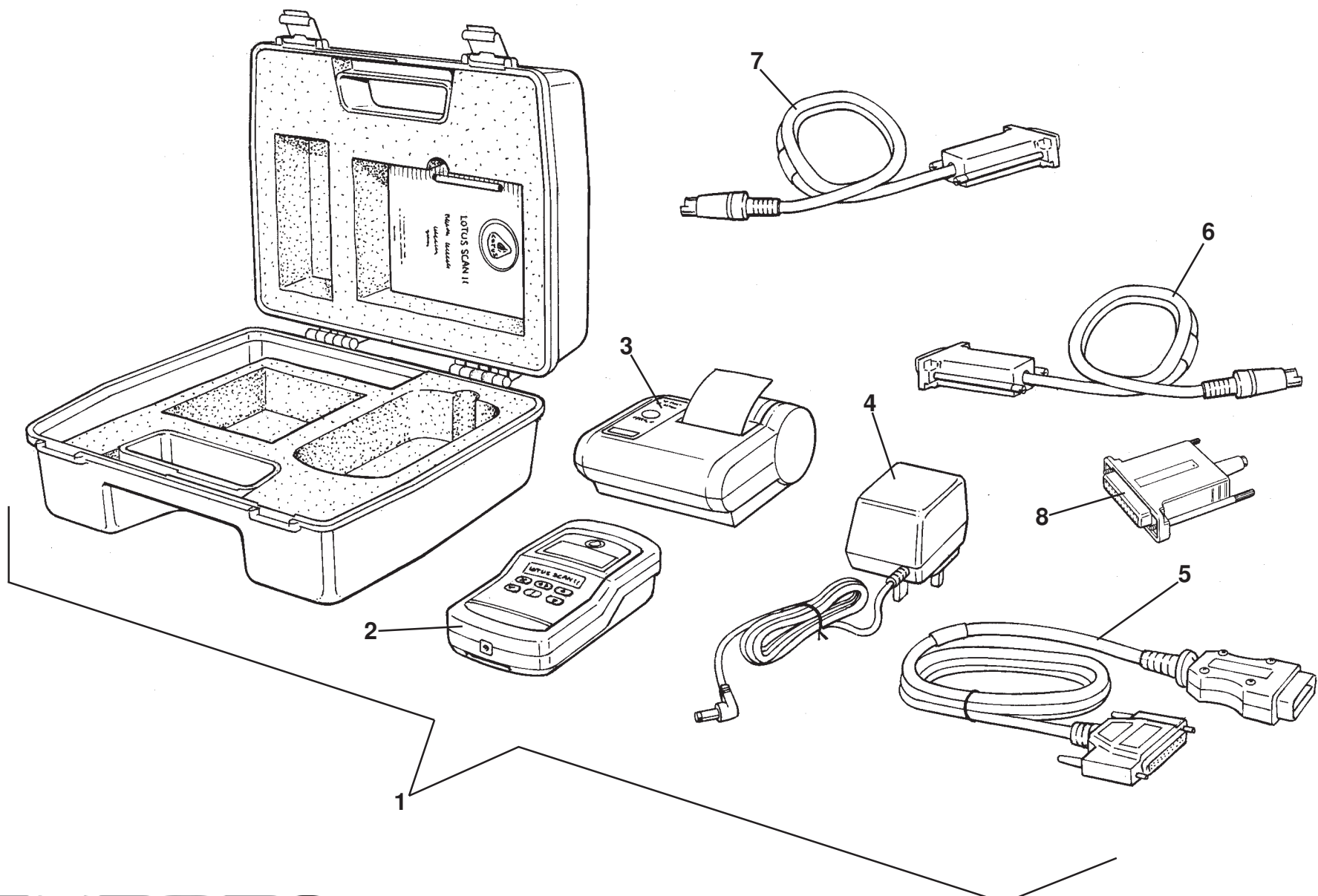
**EUROPA**  
60.01

---

**Function Code 60.01 Tool Kit**

<u>Dep</u>	<u>Part Description</u>	<u>Remarks</u>	<u>Option</u>	<u>Part Number</u>	<u>Qty</u>
01	Tool Kit, towing eye	towing eye only		A124T0005F	1

---



**EUROPA**  
**60.01a**



# Service Parts List

# EUROPA



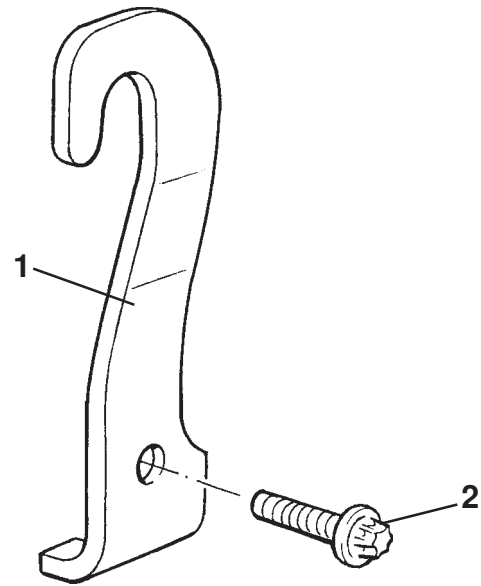
## Function Code 60.01a Diagnostic Equipment

<u>Dep</u>	<u>Part Description</u>	<u>Remarks</u>	<u>Option</u>	<u>Part Number</u>	<u>Qty</u>
01	Lotus Scan III Kit			T000T1467F	1
02	Lotus Scan III, scanner tool			T000T1426F	1
03	Printer			T000T1419F	1
05	Lead, scanner to ALDL connector, blue			T000T1457F	1
06	Lead, scanner to printer			T000T1429F	1
07	Lead, scanner to PC			T000T1430F	1
08	Adaptor, transformer to scanner			T000T1436F	1
09	Pass Through Device	Only required for ecu reprogramming		T000T1472F	1
10	Update CD (LS3) europa	Not illus., for Scan III, intial setup		T000T1473F	1
11	Update CD, europa	Not illus., for PC, only required reprogramming		T000T1474F	1
12	Europa & Legacy CD	Not illus., for Scan III, only required reprogramming		T000T1476F	1
13	Plug Adaptor, Euro, transformer	Not illustrated, UK to European plug		T000T1421F	1
14	Hardware Key, A3300	Not illustrated		T000T1471F	1
15	Lead, Vehicle Communication Device (VCD) to PC	Not illustrated		T000T1537F	1

EUROPA

Function Code: 60.01a, Page: 1

*Updated 4th April 2013*

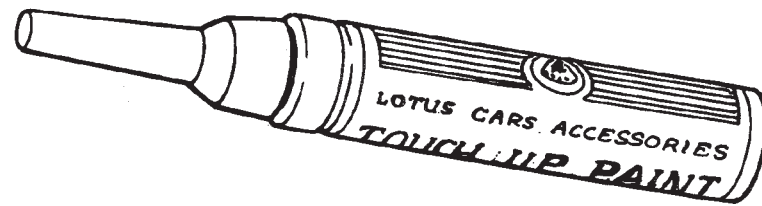


**EUROPA**  
**60.02**

---

**Function Code 60.02 Special Tools**

<u>Dep</u>	<u>Part Description</u>	<u>Remarks</u>	<u>Option</u>	<u>Part Number</u>	<u>Qty</u>
01	Shackle, engine lift			A124E6222S	2
02	Screw, engine lift bracket			A124E6055S	2
03	Flywheel Locking Tool	Not illustrated		T000T1483F	1
04	Cam Sprocket Locking Tool	Not illustrated		T000T1484F	1
05	Balance Shaft Measuring Tool	Not illustrated		T000T1485F	1



**EUROPA**

**80.20a**

**Function Code 80.20a Touch-in Paint Pencil Range**

<u>Dep</u>	<u>Part Description</u>	<u>Remarks</u>	<u>Option</u>	<u>Part Number</u>	<u>Qty</u>
100	B100, Magnetic Blue			A082B6410F	1
101	B101, Electric Green Metallic			A082B6411F	1
102	B102, Aubergine Metallic			A082B6412F	1
104	B104, Blue Mica			A082B6414F	1
105	B105, Nightfall Blue			A082B6415F	1
106	B106, Saffron Yellow			A082B6416F	1
107	B107, Glacier Blue			A082B6417F	1
108	B108, Graphite Grey			A082B6418F	1
109	B109, Krypton Green			A082B6419F	1
110	B110, Polar Blue			A120B6040S	1
113	B113, Aspen White			A120B6028S	1
114	B114, Solar Yellow			A120B6029S	1
115	B115, Silver			A120B6030S	1
116	B116, Autumn Gold			A120B6031S	1
117	B117, Canyon Red			A120B6032S	1
118	B118, Chilli Red			A120B6033S	1
119	B119, Racing Green			A120B6034S	1
120	B120, Laser Blue			A120B6035S	1
121	B121, Storm Titanium			A120B6036S	1
122	B122, Graphite Grey			A120B6037S	1
123	B123, Phantom Black			A120B6038S	1