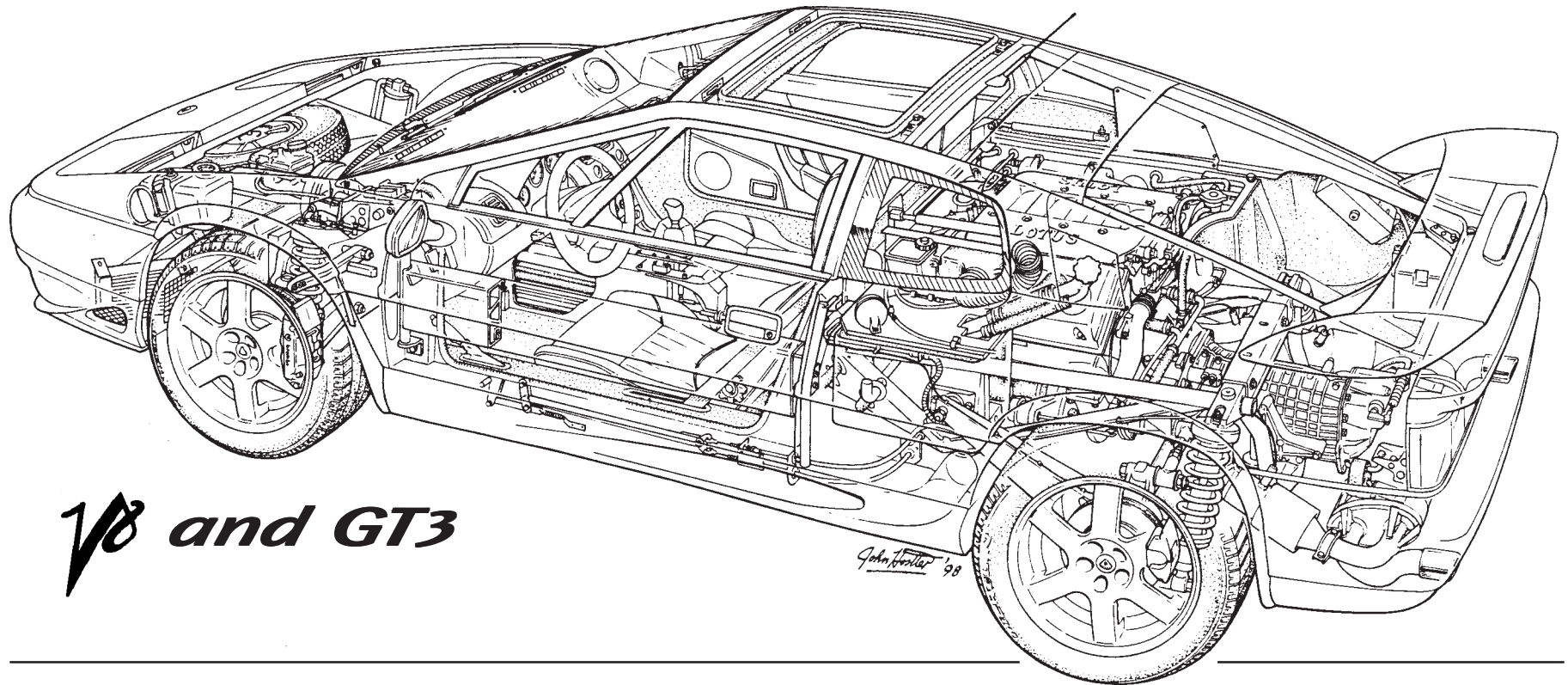




# ESPRIT SERVICE PARTS LIST

1996 to 2004 Model years



**V8 and GT3**

Technical Publications, Lotus Cars Limited, Hethel, Norwich, Norfolk, NR14 8EZ. England.

Telephone 01953 608000 [www.lotuscars.com](http://www.lotuscars.com)

© Lotus Cars Ltd. 1996

Part Number N082T0325J

*Updated 4th June 2018*

## FOREWORD

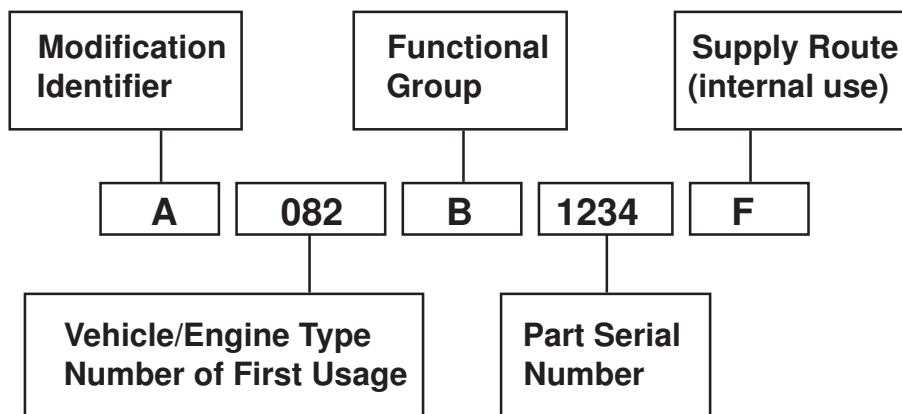
This publication has been designed for use by Lotus Dealers, and may be updated periodically by the issuing of update packages to the dealer network. Lotus policy is one of continuous product improvement and the right is reserved to alter specifications at any time without prior notice. Whilst every care has been taken to ensure correctness of information, it is impossible to guarantee complete freedom from omissions and errors, or to accept liability arising from such errors or omissions, but nothing herein contained shall affect your statutory rights.

## USE OF THE PARTS LIST

This parts list covers the Esprit range, 1996 model year onwards. The manual is arranged in function groups, as defined by the Contents page, and may sometimes use several versions of the same function group to accommodate model variations - take care to establish the full vehicle specification in order to properly identify the applicable parts list section.

## PART NUMBERS

Part numbers used in this publication are in the format as follows:



**Modification Identifier:** This letter identifies a version or modification of the part. Part numbers with different prefix letters may or may not be interchangeable - refer to the remarks column.

**Vehicle/Engine Type Number:** The type number indicates either the model or engine type on which the part was first used.

026, 036, 045, 500....Elan	076....Eclat S1	084....Eclat S2	111....Elise
050....Elan+2	079....Esprit S1/S2/S2.2	085....Esprit S3	340....340R
046, 054, 065, 074....Europa	082....Esprit Turbo	089....Excel	
075....Elite S1	083....Elite S2	100....Elan 1990	

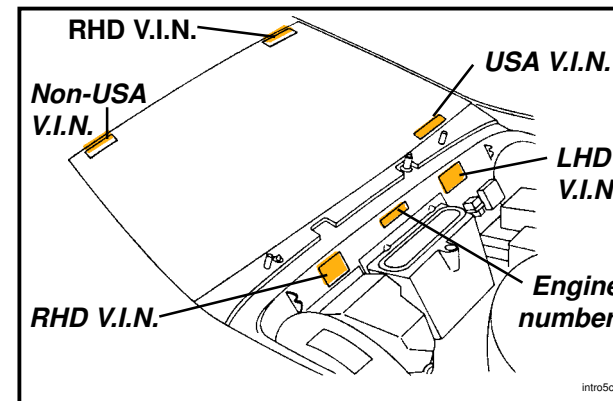
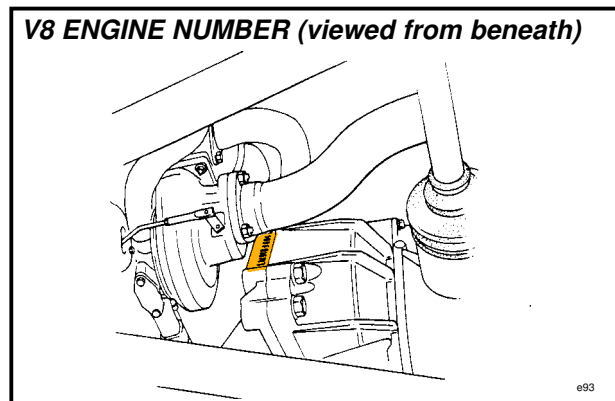
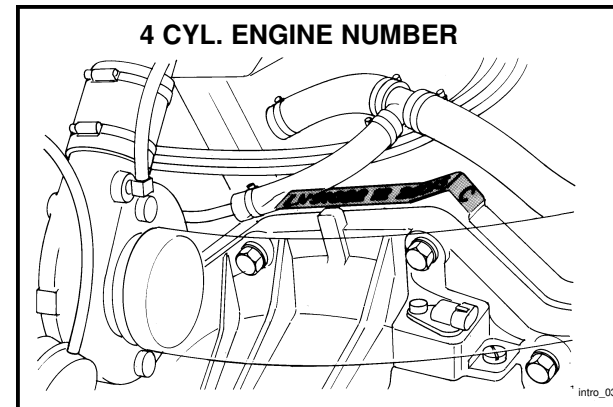
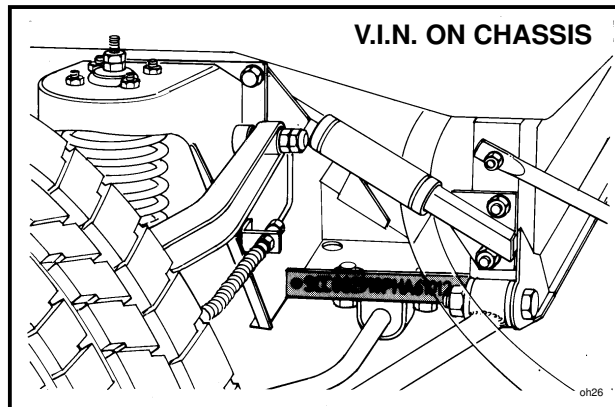
**Functional Group:** A single letter indicating the functional area of the parts first use

A = Chassis	E = Engine	J = Brakes	P = Heater & AC	U = Hard Trim
B = Body	F = Transmission	K = Cooling	Q = Clutch	V = Soft Trim
C = Front Suspension	G = Wheels & Tyres	L = Fuel System	R = Final Drive	W = Standard Fixings
D = Rear Suspension	H = Steering	M = Electrics	S = Exhaust	

## **VEHICLE IDENTIFICATION NUMBER & ENGINE NUMBER**

The Vehicle Identification Number (VIN) is stamped onto the chassis frame on the vertical surface of a flange between the inboard pivots of the right hand front suspension lower wishbone, viewable via the right hand front wheelarch. The engine number on 4 cylinder cars is stamped onto a horizontal surface at the right hand rear of the cylinder block, and on V8 models on a vertical flange at the left hand rear of the cylinder block. Both VIN and engine numbers are duplicated on bar code labels fixed to the front bulkhead in the front luggage compartment, and on some vehicles the VIN is repeated for convenience on a label viewable through the windscreen.

Both numbers should always be quoted with any vehicle enquiries, as Factory records are filed against VIN, and specification change points are identified by VIN or engine number. The vehicle licence number may not accurately reflect vehicle age, and may be changed during the car's life, and are an unreliable method of identification.

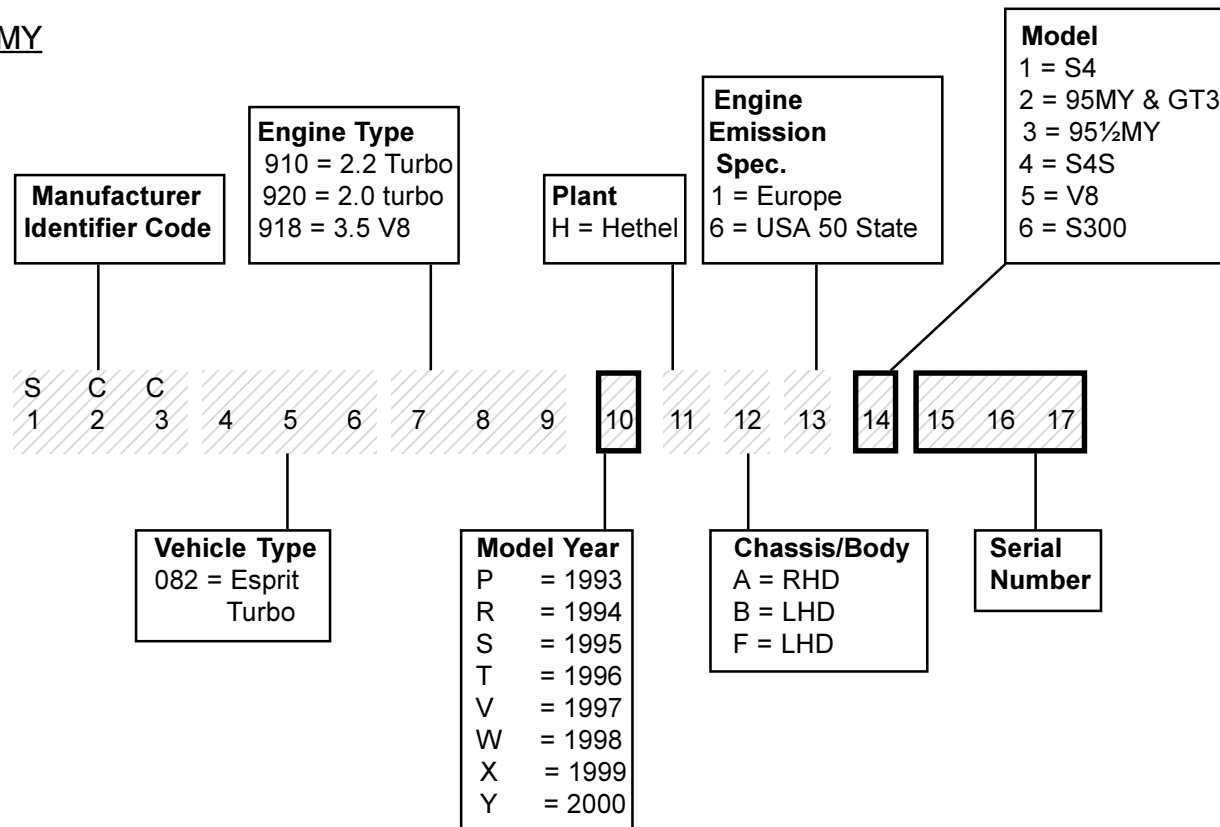


There are three variations of the VIN; prior to '98 M.Y. there is one for domestic and non-USA export markets, which complies with European Economic Community (EEC) directives; and one for the USA which complies with requirements laid down by the National Highway Traffic Safety Association (NHTSA). From '98 M.Y. a common coding is used. The seventeen characters of the VIN are coded as follows:

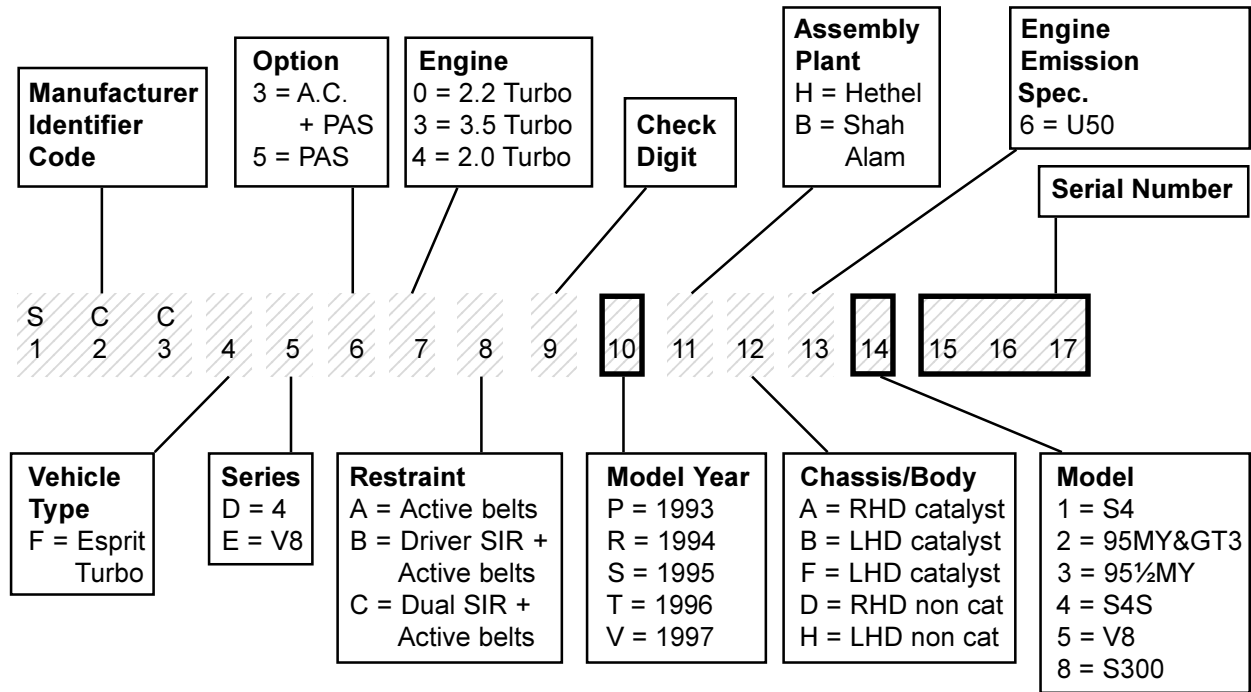
**NOTES**

- Prior to '98 M.Y., different serial number sequences are used for the the following variants:
  - S4 prior to '95 M.Y.: 0001 to 0010, then 1011 onwards
  - S4 '95 M.Y. & GT3: 2000 onwards
  - S4S USA: 3000 onwards
  - S4S non-USA: 4000 onwards
  - Sport 300: 8001 onwards
  - Esprit V8: 5009 onwards
- For change point identification in this manual, only VIN characters 10 (model year) and 14 to 17, (serial number) will be listed. e.g.:
  - R 1242 ('94 model year S4, serial 1242)
  - R 8030 ('94 model year Sport 300, serial 8030)

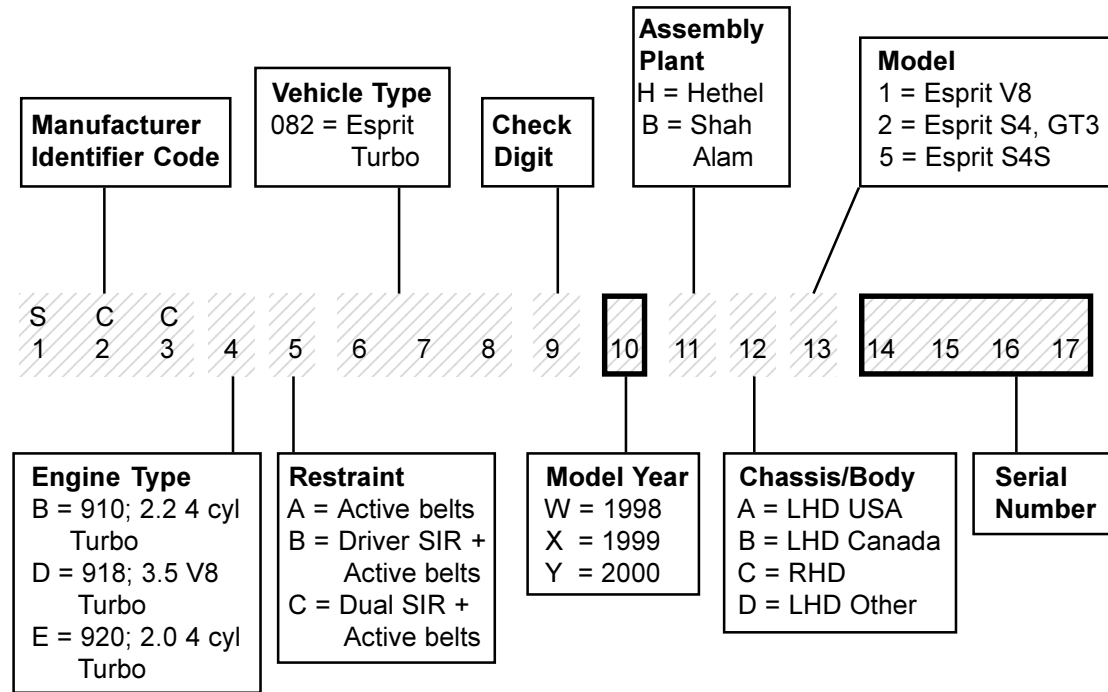
**Non-USA Prior '98 MY**



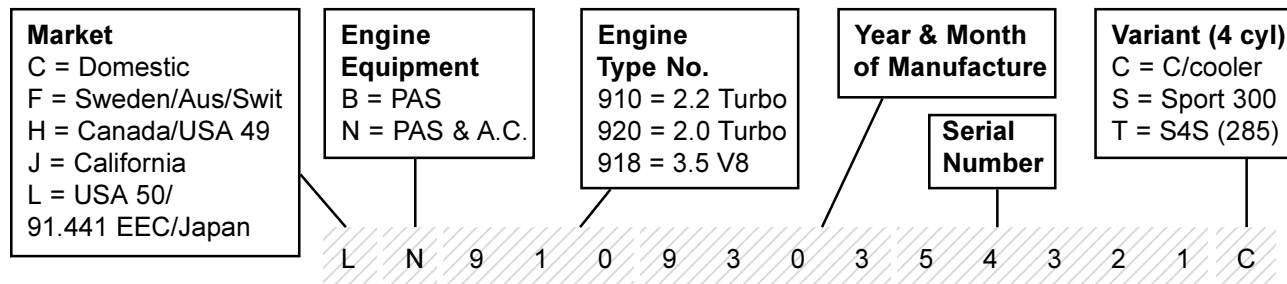
USA Prior '98 MY



'98 MY onwards



Engine Number Coding





May 1996 V8



Oct 1996 GT3



Oct 1997 V8



Jan 1998 V8 GT



Oct 1998 Sport 350



Nov 1998 V8 SE



MY 2002 V8



MY 2002 V8 25th



May 2003 Final Edition

*Updated 2nd January 2018*

## **ESPRIT MODEL HISTORY '96 MY on**

### **Esprit V8: May '96**

Esprit V8; VIN: T 5009

As S4S with following principal changes:

- New Lotus type 918 3.5 litre twin turbo V8 engine. No chargecooling. Lotus/vertronix engine management.
- Kelsey-Hayes ABS-415 antilock brake system.
- Chassis modifications to accommodate engine and exhaust system
- Cooling system includes recirculation pump and diverter valve
- Larger capacity 'pull-type' clutch. Type UN1 027

transmission with higher 5th ratio and reverse gear brake.

- New one piece road wheels and restyled front spoiler.
- New variable displacement a.c. compressor.

### **Esprit GT3: October '96**

Esprit GT3; VIN: T 2100 (not USA)

Based on S4 model with following changes:

- 2 litre (type 920) 240 bhp engine.
- No back pressure valve or throttle jack.
- No tailgate mounted aerofoil. Swiss type rear transom spoiler lip.
- Single fuel filler on LH side.
- GT3 decals along door bottoms.
- Sport 300 type seats with backs painted body colour.
- Cloth/vinyl interior trim. Senotex instrument masks. Body colour composite gear lever shroud. Aluminium gear lever knob.
- Optional panel lamps rheostat; alarm; door edge, bonnet and footwell lamps; lights on buzzer; one touch windows.

### **'97 M.Y. Esprit V8 & GT3: May '96**

USA V8; VIN: V 5075 (May '96)

Non USA V8; VIN: V 5215 (Oct. '96)

GT3; VIN: V 2111 (Oct. '96)

Specification unchanged.

### **Introduction of V8 Twin Plate Clutch: February '97**

Esprit V8; VIN: V 5280

Many cars also retro-fitted.

- New lightweight flywheel, low inertia twin plate clutch assembly, cast iron clutch housing, pedal downstop, re-calibrated ECM.

### **'98 M.Y. Esprit V8 & GT3: October '97**

Esprit V8; VIN: W 5408 plus 5374, 5382, 5385

GT3; VIN: W 2200 plus 2192

As previous with following principal changes:

- Restyled interior with compact instrument binnacle, new centre console and tunnel top.
- Four instrument set, new tell tale clusters, Elise style push switches. Deletion of boost and oil temperature gauges and time clock.
- Cobra 6422 security system with remote operation.
- Revised interior climate control system, with rotary selector switches and electro-pneumatic flap operation. Stepper motor water valve. New face level vents. Separate re-circulation switch.
- New windscreen wiper arm, washer bottle and pump.
- V8: Restyled rear aerofoil mounted on tailgate. Locking gas strut for tailgate
- V8: New low effort clutch release system with new hydraulic cylinders and rigid pipe. Revised clutch fork and stiffer alloy clutch housing.
- V8: Revised twin cable gearchange mechanism dispenses with translator. Modified transmission selector cross shaft. Adopted on GT3 together with lower final drive and lower 3rd gear in June '98 at VIN W 2272.
- New Kelsey-Hayes EBC 430 anti-lock brakes electro-hydraulic control unit.
- Single fuel filler.



### Esprit V8-GT: January '98

Esprit V8-GT; VIN: W 5442

As Esprit V8 with following principal changes:

- No rear aerofoil.
- Long type rear body spoiler.
- Matt vinyl interior trim.
- No a.c. (compressor retained for belt routing).
- V8-GT decal in rear quarter windows

### Esprit Sport 350: October '98

Sport 350; VIN: W 5603

Limited edition of 50. As Esprit V8-GT with following principal changes: (Esprit V8 adopts V8 S.E. moniker to aid identification)

- Lightweight handlay lower body half (except S.I.R. cars).
- Carbon fibre 'GT1' style rear aerofoil with alloy end plates. Sculpted alloy mounting plinths.
- Front spoiler extension skirt and rubber lip.
- New Aluminium body colour with 'Sport 350' graphics on doors and sill treadplates. Blue decal tape in sill ducts and radiator air intake. Grilles in front valance coloured titanium.
- Magnesium 'Crono' O.Z. wheels in charcoal, with Pirelli P Zero tyres, marginally wider on rear.
- Larger A.P. Racing discs with curved vanes and cross drilling on both front and rear.
- A.P. Racing 4-pot alloy front calipers, finished in blue with 'Lotus' lettering.
- Seats with increased lateral support on cushion and backrest. Seat facings in blue Alcantara.
- Centre console, instrument binnacle, gear lever tray & lower switch panel in satin finish carbon fibre. HRS switch moved to upper switch row.
- Blue Alcantara door insert panels with body colour feature strips.
- Anodised aluminium instrument mask, gear lever knob & gear lever gaiter ring. Aluminium plaque on windscreen landing with limited edition no. Drilled alloy pads on brake & clutch pedals.
- Monroe N65 dampers and stiffer springs front & rear. Upgraded anti-roll bar.

- Increased wall thickness chassis tubes around engine bay
- Re-calibrated ECM with re-profiled boost curves. Blue painted cam covers

### '99 M.Y. Esprit V8 S.E., V8-GT, Sport 350 & GT3: November '98

V8 models; VIN: X 5657

GT3; VIN: X 2287

Non-USA models unchanged. USA only:

- Revised evaporative emission system.
- Anodised aluminium instrument mask, gear lever knob & gear lever gaiter ring.
- Drilled alloy pads on brake & clutch pedals.
- GT-3 discontinued October '99, VIN: X 2304

### '00 M.Y.

V8 models;

VIN: character 10, 2000 M.Y.=Y

USA only:

- Emission control: Onboard Refueling Vapour Recovery (ORVR) System
- AP Racing braking system (as Sport 350)

All markets

- Road wheels centre cap revised with Lotus badge
- Engine; 'Lotus' on cam covers machined finish

### '01 M.Y.

V8 models;

VIN: character 10, 2001 M.Y.=1

- Emission control: ORVR system (USA) commonised for ROW
- Engine: USA specification (EGR) commonised for ROW
- AP Racing braking system, ROW from VIN: 1 0184
- Rear license plate plinth & valence aerofoil in body colour

### '02 M.Y.

V8 models;

VIN: character 10, 2002 M.Y.=2

- New rear lamps (circular), reflectors & transom panel
- New front lip spoiler & extension panel (as Sport 350)
- O.Z. 'Nova' sixteen spoke wheels
- New 'Esprit' decal (all markets) & '25th Anniversary Edition (USA only) on transom
- Exhaust; twin centre outlets & infill panel to bumper (USA only)

### '02 M.Y. cont.

- Seats; optional two tone trim, fixed rake passenger seat, taller head restraint (Euro only)
- Silver door trim panels
- Alloy parking brake handle
- Stainless steel sill plates, Esprit or 25th Anniversary (USA)
- Fascia Serial Plate; 25th Anniversary (USA)
- Headlining option in beige
- Satelite Navigation option (UK & Euro)
- Paint; new colour range

### Final Edition: May 2003

- USA only VIN: 3 0543
- Respecified spring/damper units with 'sporting bias'; Eibach springs, Bilstein dampers with adjustable spring platforms. Geometry and ride height unchanged.
- Tyre Pressure Monitoring: 'Smartire' system with sensor in each tyre and a display on centre console.
- New screen wiper downstop.
- A stainless steel plaque is applied to the engine intake plenum, and etched with the signature of the Lotus engine builder.
- Exterior Trim: All grilles, including engine (lift out) cover are in stainless steel mesh.
- 'ESPRIT' decal in quarter windows has an 'etched' finish.
- Rear infill grille holes change from round to oval.
- Interior Trim: The seats have new stitch patterns.
- Passenger seat recline mechanism reinstated.
- The passenger side airbag cover is embossed with a Lotus logo.
- The climate control panel uses Elise style knobs in brushed aluminium.
- A new style shorter gear lever knob in brushed aluminium, and topped by a Lotus badge.
- The last Esprit is VIN: 4 0621: a USA spec. car finished saffron yellow with black/yellow leather interior.
- 10,675 have been built since 1976



## **10.00 Body**

---

- 10.01a Bodyshell
- 10.01b Front Body Repair Sections
- 10.01c Rear Body Repair Sections
- 10.03 Body to Chassis Fixings
- 10.04a Body Attachment Bobbins
- 10.05 Body Crossbeams, Jacking Plates
- 10.07 Headlamp Pods & Pivots
- 10.09 Front Services Access Panels
- 10.11a Tailgate & Release Mechanism
- 10.13 Engine Compartment, Cover, Latch Mechanism
- 10.15 Door Shells, Beams, Hinges
- 10.17 Door Latch Mechanism
- 10.23 Bumpers, Valences Spoilers & Aerofoils
- 10.31 Towing Strut/ Hook

## **11.00 Glazing and Seals**

---

- 11.01 Windscreen, Door Glass, Seals & Weather Strips
- 11.02 Door Window Lift Mechanism
- 11.05 Glass / Composite, Tilt Roof Panel

## **12.00 Exterior Fittings**

---

- 12.01a Capping Rails, Air Scoops, Wind Deflector
- 12.02a Fuel Filler Flaps & Mechanisms
- 12.05 Decals, Badges & Protective Film
- 12.07 Licence Plate Mountings
- 12.09 Exterior Driving Mirrors

## **13.00 Seats & Seat Belts**

---

- 13.01 Seat Runners
- 13.02 Seat Assemblies, front

- 13.03 Seat Frames & Recline Mechanisms
- 13.09 Seat Foams & Suspension
- 13.27 Seat Belts, front

## **14.00 Pedal Box & Fascia**

---

- 14.01 Pedal Box, Pedals, Throttle Control
- 14.05 Fascia Structure & Supporting Hardware
- 14.07 Fascia Instrument Panel, Masks & Switch Panels
- 14.12 Passenger Fascia: Glovebox Assembly

## **15.00 Interior Trim**

---

- 15.01 Roof Trim, Header Rail, Cant Rails, Sun Visors, '98 MY
- 15.11a Rear Bulkhead, Tunnel Top, Stowage Pocket, '98 MY
- 15.13 Front Door Trims
- 15.24 Luggage Compartment Carpet
- 15.30 Carpeting & Mats

## **16.00 Sound Insulation**

---

- 16.01 Passenger Compartment Sound Insulation
- 16.02 Body Underside Sound Insulation

## **17.00 Electrical**

---

- 17.01 Harnesses, Leads
- 17.03 Horn, Inertia Switch, Modules, Fuses & Relays
- 17.03a Main Relay Stations
- 17.05 Interior Switches, Auxiliary Power Socket
- 17.06 Engine Management & Sensors
- 17.06b SIR Inflator Modules
- 17.07 Instruments, Tell Tales, & Displays
- 17.07a Instruments, Tell Tales, & Displays.'98 MY on
- 17.11 Exterior Lamps, Except Headlamps
- 17.13 Headlamps



- 17.15 Headlamp Lift Motor & Mechanism
- 17.21 Windscreen Wiper Motor, Wipers & Washers
- 17.21a Windscreen Wiper Motor, Wipers & Washers, '98 MY
- 17.27 In Car Entertainment
- 17.29 Earth Braids (Leads) & Supression Devices
- 17.31 Battery, Clamps, & Cables
- 17.33 Security Alarm System, Parking Sensors & Camera
- 17.33a Security Alarm System, Cobra

---

### **18.00 Heating, Ventilation, Air Conditioning**

---

- 18.01 Heater/ Air Conditioning Assemblies, Housings
- 18.03 AC Components, Pipes, Hoses
- 18.05 Heater, Pipes, Hoses
- 18.07a AC Interior Blower Motor
- 18.09 Driver Operated Controls
- 18.09a AC/Heater Driver Operated Controls
- 18.11 AC Vacuum Controls
- 18.13 Air Trunking, Ducts & Ventilators

---

### **19.00 Labels & Literature**

---

- 19.01 Labels,Certificates, Literature etc.
- 19.01a Labels,Certificates ,Literature etc.
- 19.03 Owner's Handbooks & Service Notes Manuals

---

### **30.00 Chassis**

---

- 30.01 Chassis, Subframes

---

### **31.00 Suspension**

---

- 31.01 Front Suspension, Incl. Hubs
- 31.03 Rear Suspension, Incl. Hubs

---

### **32.00 Steering**

---

- 32.03 Power Steering unit, Reservoir, Plumbing
- 32.05 Upper Column, Steering Wheel

---

### **33.00 Brakes**

---

- 33.01 Brake Discs, Calipers, & Parking Brake Assembly
- 33.03 Master Cylinder, Servo, ABS Controller, Pipes & Hoses
- 33.04 Fluid Pipes & Hoses
- 33.05 Parking Brake Mechanism

---

### **34.00 Wheels & Tyres**

---

- 34.01 Wheels, Tyres & Valves

---

### **40.00 Engine**

---

- 40.00a Engine Assemblies, GT3
- 40.00b Engine Assemblies
- 40.01 Engine Block & Oil Pick Up
- 40.01b Engine Block, Mounts, V8
- 40.02b Gaskets & Sealants, Top Overhaul Set, GT3
- 40.02c Gaskets & Sealants, Bottom Overhaul Set, GT3
- 40.02d Gaskets & Sealants, Top Overhaul Set, V8
- 40.02e Gaskets & Sealants, Bottom Overhaul Set, V8
- 40.03a Sump Assembly, GT3
- 40.03b Sump Assembly, V8
- 40.05a Cylinder Head , Valves, Springs, GT3
- 40.05b Cylinder Head , Valves, Springs, V8
- 40.07b Camshafts, Tappets, Cam Cover, GT3
- 40.07c Camshafts, Tappets, Cam Cover, V8
- 40.08 Camshaft Drive Chain & Sprockets
- 40.09a Pistons, Con-rods, Liners, GT3
- 40.09b Pistons, Con-rods, Liners, V8
- 40.11a Crankshaft, Bearings, Flywheel, GT3



40.11b	Crankshaft, Bearings, Flywheel, V8
40.13a	Water Pump Assembly, Thermostat, GT3
40.13b	Water Pump Assembly, Thermostat, V8
40.15a	Lubrication System, GT3
40.15b	Lubrication System, V8
40.17a	Ignition System, Spark plugs, Leads, GT3
40.17b	Ignition System, Spark plugs, Leads, V8
40.19a	Alternator and Starter Motor, GT3
40.19b	Alternator and Starter Motor, V8
40.21a	Exhaust Manifold & Turbocharger, GT3
40.21b	Exhaust Manifolds & Turbochargers, V8
40.23a	AC Compressor, GT3
40.23b	AC Compressor, V8
40.25	Power Steering Pump, Pulley, Mounts & Fixings
40.25a	Power Steering Pump, Pulley, Mounts & Fixings, V8

---

#### **41.00 Belts and Pulleys**

---

41.01b	Camshaft Drive Belt, GT3
41.01c	Camshaft Drive Belts, V8
41.03a	Auxiliary Drive Belts & Pulleys, GT3
41.03b	Auxiliary Drive Belts & Pulleys, V8
41.04	Auxiliary Belt Tensioner, V8
41.05	Belt Guards, V8

---

#### **42.00 Induction Systems**

---

42.01a	Airboxes, Trunking, Air Filters & Chargecooler, GT3
42.01b	Airboxes, Trunking & Air Filters, V8
42.04a	Throttle Body, Mechanism & IAC Valve, V8
42.05a	Fuel Injection System, V8
42.07b	Inlet Manifold, Throttle Bodies, Fuel Rail & IAC, GT3
42.07c	Inlet Manifolds, Plenum & Gaskets, V8

---

#### **43.00 Emission Equipment**

---

43.01	Air Pump, Mounting Brackets & Fittings
43.03	Vacuum System, Hoses, Pipes & Fittings
43.03a	Vacuum System, Hoses, Pipes & Fittings, GT3

---

#### **44.00 Fuel System**

---

44.01	Fuel Tanks, Filler
44.01a	Fuel Tanks, Filler, '98 MY
44.01c	Fuel Tanks, Filler, USA '00 MY, ROW '01 MY
44.03	Fuel Pump; Filter, Pipes
44.05	Charcoal Canister & Evaporative Loss System.
44.05a	Charcoal Can. & Evap. Loss, USA '00 MY, ROW '01 MY
44.05b	Charcoal Canister & Evaporative Loss System, GT3

---

#### **45.00 Exhaust**

---

45.01	Exhaust System
45.01a	Exhaust System, GT3
45.05	Heatshields
45.05a	Heatshields, GT3
45.07	E.G.R components, Valve, Manifold, Pipes

---

#### **46.00 Cooling**

---

46.01	Engine Cooling System & Fan
46.01a	Engine Cooling System & Fan, GT3
46.03a	Oil Coolers, Pipes & Hoses, GT3
46.03b	Oil Coolers, Pipes & Hoses, V8
46.05a	Engine Bay Cooling Ducts & Trunking, GT3
46.10	Chargecooler & Ducting

---

#### **47.00 Transmission**

---

47.01a	Clutch & Release Mechanism, GT3
--------	---------------------------------

**V8**

- 47.01b Clutch & Release Mechanism, V8
  - 47.03 Transmission Assembly
  - 47.05 Gearchange Mechanism, External
  - 47.05a Gearchange Mechanism, External, '98 MY on
  - 47.06 Gear Selector Mechanism, Internal
  - 47.07 Gears, Shafts & Bearings
  - 47.11 Final Drive & Bearings
  - 47.15 Driveshafts & Seals
- 

**60.00 Special tools**

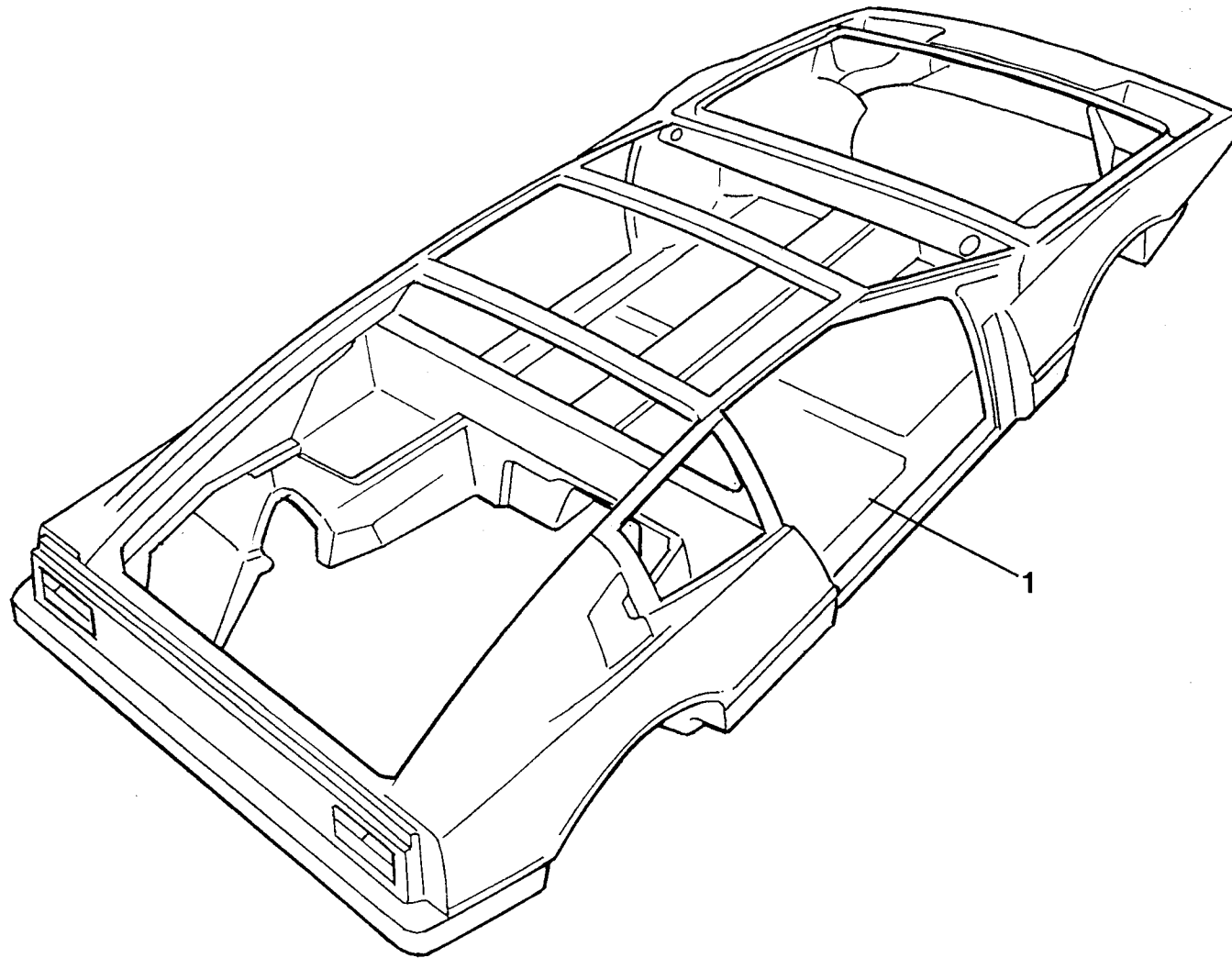
---

- 60.01 Tool Kit
  - 60.01a Diagnostic Equipment
  - 60.02 Special Tools
  - 60.02a Special Tools
- 

**80.00 Bulk Items**

---

- 80.20a Touch-in Paint Pencil Range
-



ESPRIT  
10.01a

# Service Parts List



## Function Code 10.01a Bodyshell

<u>Dep</u>	<u>Part Description</u>	<u>Remarks</u>	<u>Option</u>	<u>Part Number</u>	<u>Qty</u>
01	Bodyshell, RHD	V8, prior to '98 MY	Domestic, driver SIR	<b>A082B5306J</b>	1
01a	Bodyshell, RHD	V8, prior to '98MY	Domestic, non SIR	<b>A082B5313J</b>	1
01b	Bodyshell, LHD	V8, prior to '98 MY	Euro., dual SIR	<b>A082B5309J</b>	1
01c	Bodyshell, LHD	V8, prior to '98 MY	Euro., driver SIR	<b>A082B5307J</b>	1
01d	Bodyshell, LHD	V8, prior to '98 MY	Euro., non SIR	<b>A082B5332J</b>	1
01e	Bodyshell, LHD	V8, prior to '98 MY	Federal, dual SIR	<b>A082B5314J</b>	1
01f	Bodyshell, RHD	V8GT	Dom., driver SIR, glass roof	<b>A082B5444J</b>	1
01g	Bodyshell, RHD	V8GT	Dom., non SIR, glass roof	<b>A082B5442J</b>	1
01h	Bodyshell, RHD	V8, '98 MY, 'B' level for '02 MY	Dom., driver SIR, glass roof	<b>A082B5440J</b>	1
01i	Bodyshell, RHD	V8, '98 MY, 'B' level for '02 MY	Dom., driver SIR, comp. roof	<b>A082B5450J</b>	1
01j	Bodyshell, RHD	V8, '98 MY, 'B' level for '02 MY	Dom., non SIR, glass roof	<b>A082B5438J</b>	1
01k	Bodyshell, RHD	V8, '98 MY, 'B' level for '02 MY	Dom., non SIR, comp. roof	<b>A082B5448J</b>	1
01l	Bodyshell, LHD	V8GT	Euro., dual SIR, glass roof	<b>A082B5445J</b>	1
01m	Bodyshell, LHD	V8GT	Euro., non SIR, glass roof	<b>A082B5443J</b>	1
01n	Bodyshell, LHD	V8, '98 MY, 'B' level for '02 MY	Euro., dual SIR, glass roof	<b>A082B5439J</b>	1
01p	Bodyshell, LHD	V8, '98 MY, 'B' level for '02 MY	Euro., dual SIR, comp. roof	<b>A082B5449J</b>	1
01q	Bodyshell, LHD	V8, '98 MY, 'B' level for '02 MY	Euro., non SIR, glass roof	<b>A082B5437J</b>	1
01r	Bodyshell, LHD	V8, '98 MY, 'B' level for '02 MY	Euro., non SIR, comp. roof	<b>A082B5447J</b>	1





---

**Function Code 10.01a Bodyshell**

<u>Dep</u>	<u>Part Description</u>	<u>Remarks</u>	<u>Option</u>	<u>Part Number</u>	<u>Qty</u>
01s	Bodyshell, LHD	V8, '98 MY, 'B' level for '02 MY	Federal, dual SIR, glass roof	<b>A082B5441J</b>	1
01t	Bodyshell, LHD	V8, '98 MY, 'B' level for '02 MY	Federal, dual SIR, comp. roof	<b>A082B5451J</b>	1
01u	Bodyshell, RHD, (lightweight)	Sport 350	Non SIR	<b>A082B5508K</b>	1
01v	Bodyshell, LHD, (lightweight)	Sport 350	Non SIR	<b>A082B5506K</b>	1
01w	Bodyshell, RHD, (lightweight)	Sport 350	Non SIR, AC	<b>A082B5509K</b>	1
01x	Bodyshell, LHD, (lightweight)	Sport 350	Non SIR, AC	<b>A082B5507K</b>	1
02	Reinforcing Plate, jacking points	Not illustrated	Common	<b>A082U7571F</b>	4
02a	Pop Rivet, plate to body	Not illustrated	Common	<b>A075W6069Z</b>	8

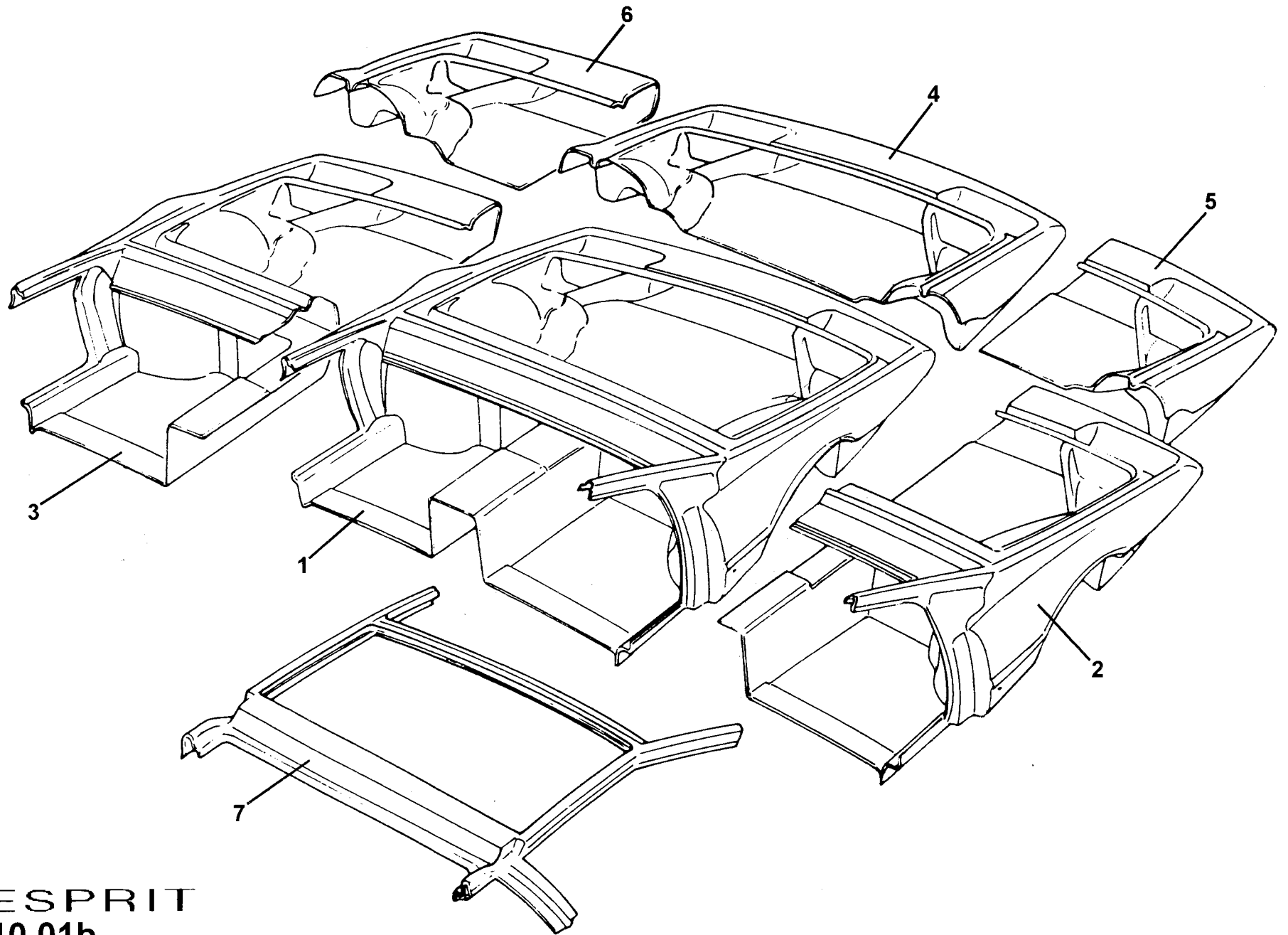
---

Note: Sport 350 with SIR uses standard V8 bodyshell for relevant territory

---

Note: from VIN 2 0404 the webs in the front services bay are re-positioned to improve spare wheel access

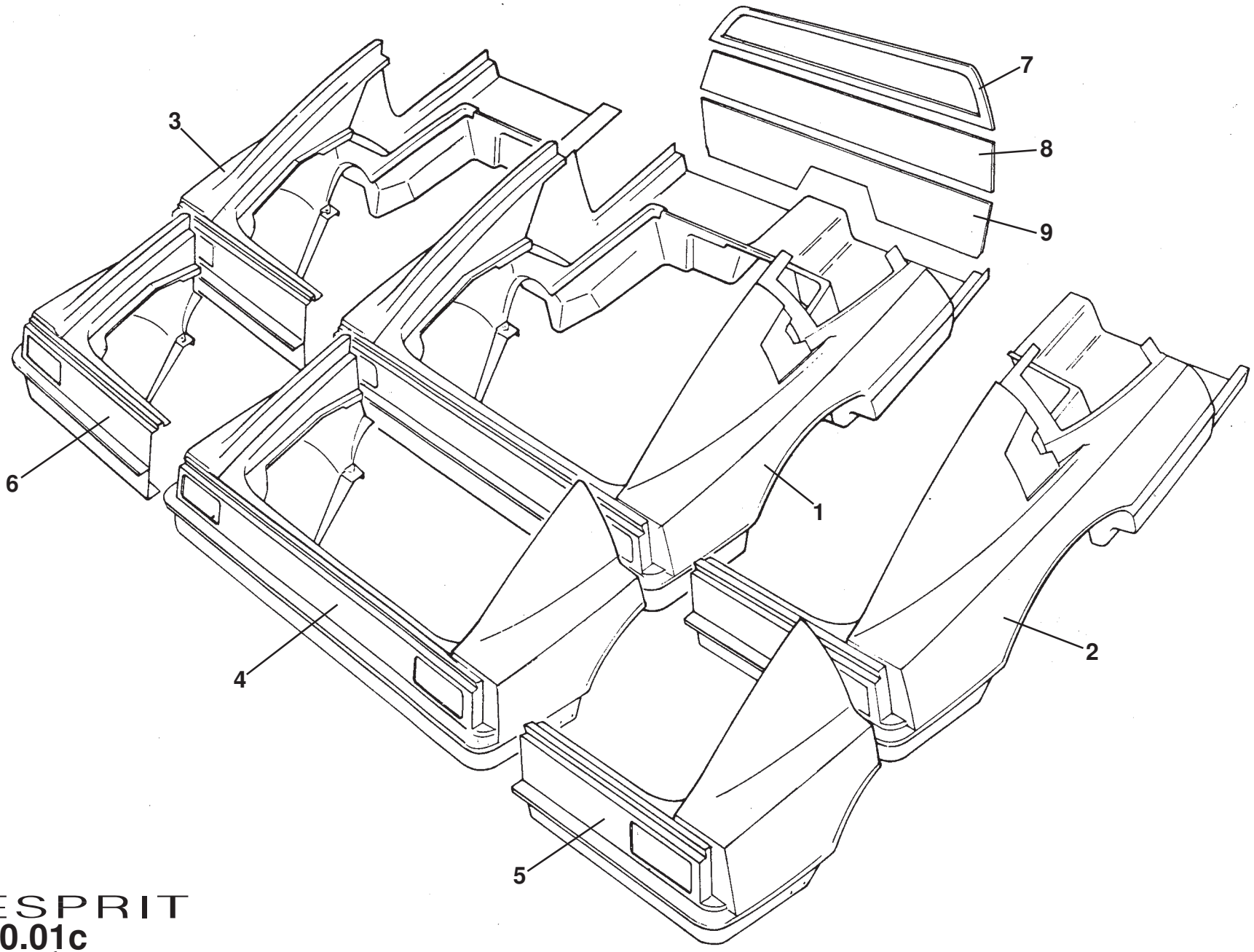
---



ESPRIT  
10.01b

**Function Code 10.01b Front Body Repair Sections**

<u>Dep</u>	<u>Part Description</u>	<u>Remarks</u>	<u>Option</u>	<u>Part Number</u>	<u>Qty</u>
01	Body Section, full nose, full width		RHD, SIR	<b>A082B6356S</b>	1
01a	Body Section, full nose, full width		RHD, non SIR	<b>A082B6273S</b>	1
01b	Body Section, full nose, full width		LHD, SIR	<b>A082B6358S</b>	1
01c	Body Section, full nose, full width		LHD, non SIR	<b>A082B6359S</b>	1
02	Body Section, full nose, RH half		RHD, SIR	<b>A082B6360S</b>	1
02a	Body Section, full nose, RH half		RHD, non SIR	<b>A082B6361S</b>	1
02b	Body Section, full nose, RH half		LHD, SIR	<b>A082B6362S</b>	1
02c	Body Section, full nose, RH half		LHD non SIR	<b>A082B6363S</b>	1
03	Body Section, full nose, LH half		RHD, SIR	<b>A082B6364S</b>	1
03a	Body Section, full nose, LH half		RHD, non SIR	<b>A082B6365S</b>	1
03b	Body Section, full nose, LH half		LHD, SIR	<b>A082B6366S</b>	1
03c	Body Section, full nose, LH half		LHD, non SIR	<b>A082B6367S</b>	1
04	Body Section, mid nose, full width,			<b>A082B6368S</b>	1
05	Body Section, mid nose, RH half,			<b>A082B6369S</b>	1
06	Body Section, mid nose, LH half,			<b>A082B6370S</b>	1
07	Body Section, roof		Glass panel	<b>A082B6371S</b>	1
07a	Body Section, roof		Composite panel	<b>A082B6272S</b>	1

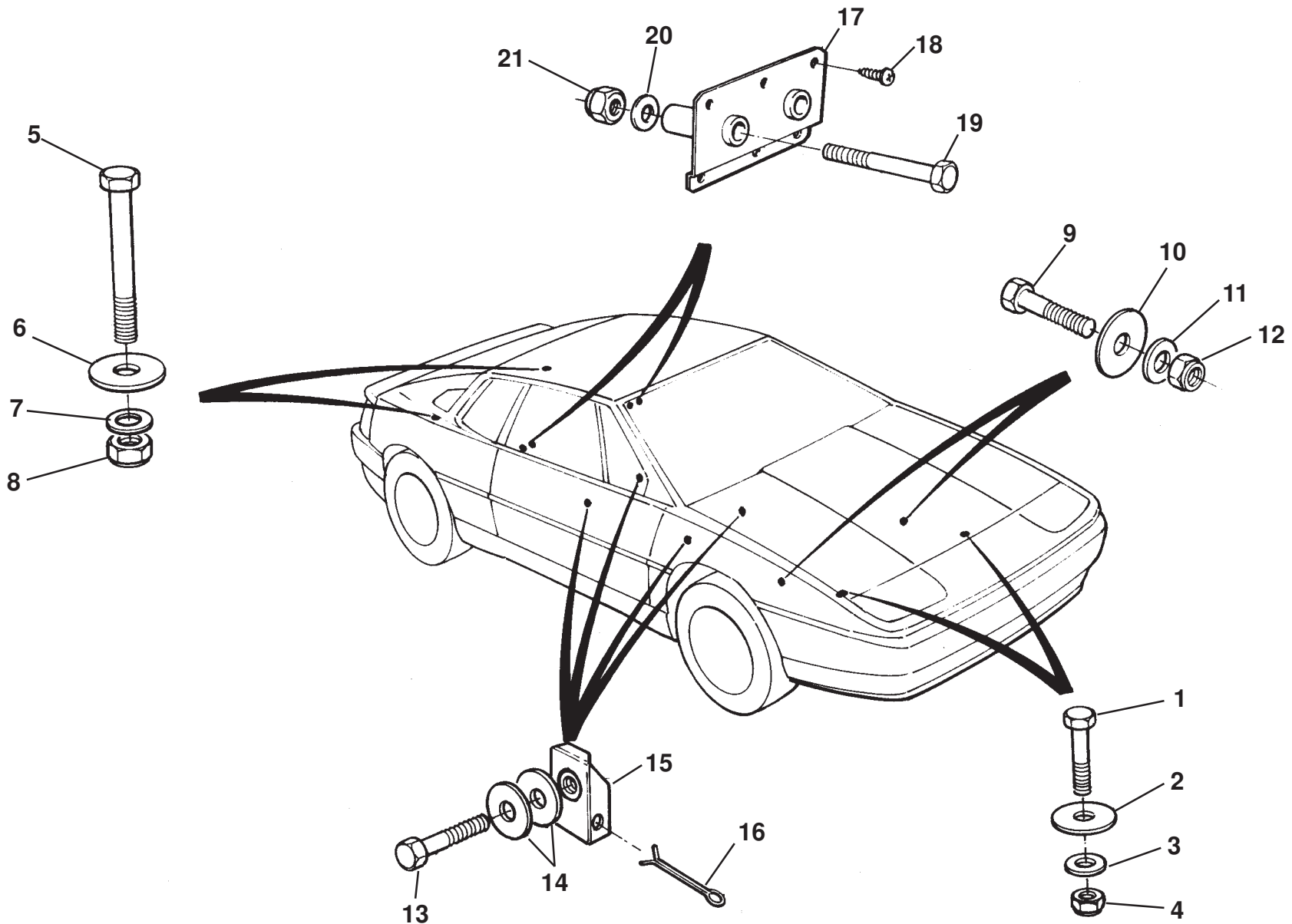


ESPRIT  
10.01c

---

**Function Code 10.01c Rear Body Repair Sections**

<u>Dep</u>	<u>Part Description</u>	<u>Remarks</u>	<u>Option</u>	<u>Part Number</u>	<u>Qty</u>
01	Body Section, full rear, full width			<b>A082B6373S</b>	1
02	Body Section , full rear, RH half			<b>A082B6374S</b>	1
03	Body Section , full rear, LH half			<b>A082B6375S</b>	1
04	Body Section, short rear, full width			<b>A082B6376S</b>	1
05	Body Section, short rear, RH half			<b>A082B6377S</b>	1
06	Body Section, short rear, LH half			<b>A082B6378S</b>	1
07	Bulkhead, rear upper	Plywood		<b>B082B4679F</b>	1
08	Bulkhead, rear centre	Plywood		<b>E079B4675F</b>	1
09	Bulkhead, rear lower	Plywood		<b>C082B4876F</b>	1



**ESPRIT  
10.03**

*Updated 28th January 2011*

# Service Parts List



## Function Code 10.03 Body to Chassis Fixings

<u>Dep</u>	<u>Part Description</u>	<u>Remarks</u>	<u>Option</u>	<u>Part Number</u>	<u>Qty</u>
01	Bolt M8 x 40, body to front crossmember			A075W2039Z	2
02	Washer Flat, body to front crossmember			A075W4022Z	2
03	Washer M8, body to front crossmember			A075W4020Z	2
04	Nut Nyloc M8, body to front crossmember			A075W3010Z	2
05	Bolt M10 x 120, body to reart crossmember			A075W2064Z	2
06	Washer Flat M10 x 30, body to rear crossmember			A075W4027Z	2
07	Washer Flat M10 x 20, body to rear crossmember			A075W4024Z	2
08	Nut Nyloc M10, body to front crossmember			A075W3011Z	2
09	Bolt M10 x 45, footwell to chassis			A075W2053Z	2
10	Washer Flat M10 x 30, footwell to chassis			A075W4027Z	2
11	Washer Flat M10 x 20, footwell to chassis			A075W4024Z	2
12	Nut Nyloc M10, footwell to chassis			A075W3011Z	2
13	Bolt M8 x 30, tunnel side to chassis			A075W2037Z	4
14	Washer Flat, tunnel side to chassis			A075W4022Z	4
15	Nut Plate, tunnel side to chassis			A082W4297Z	4
16	Split Pin, nut plate to chassis			A082W6502Z	4
17	Mounting Plate, rear bulkhead body/chassis			A082W4351Z	2
18	Screw No. 10 x 3/4, plate to bulkhead			A075W5041Z	12



Function Code: 10.03, Page: 1

Updated 28th January 2011

---

**Function Code 10.03 Body to Chassis Fixings**

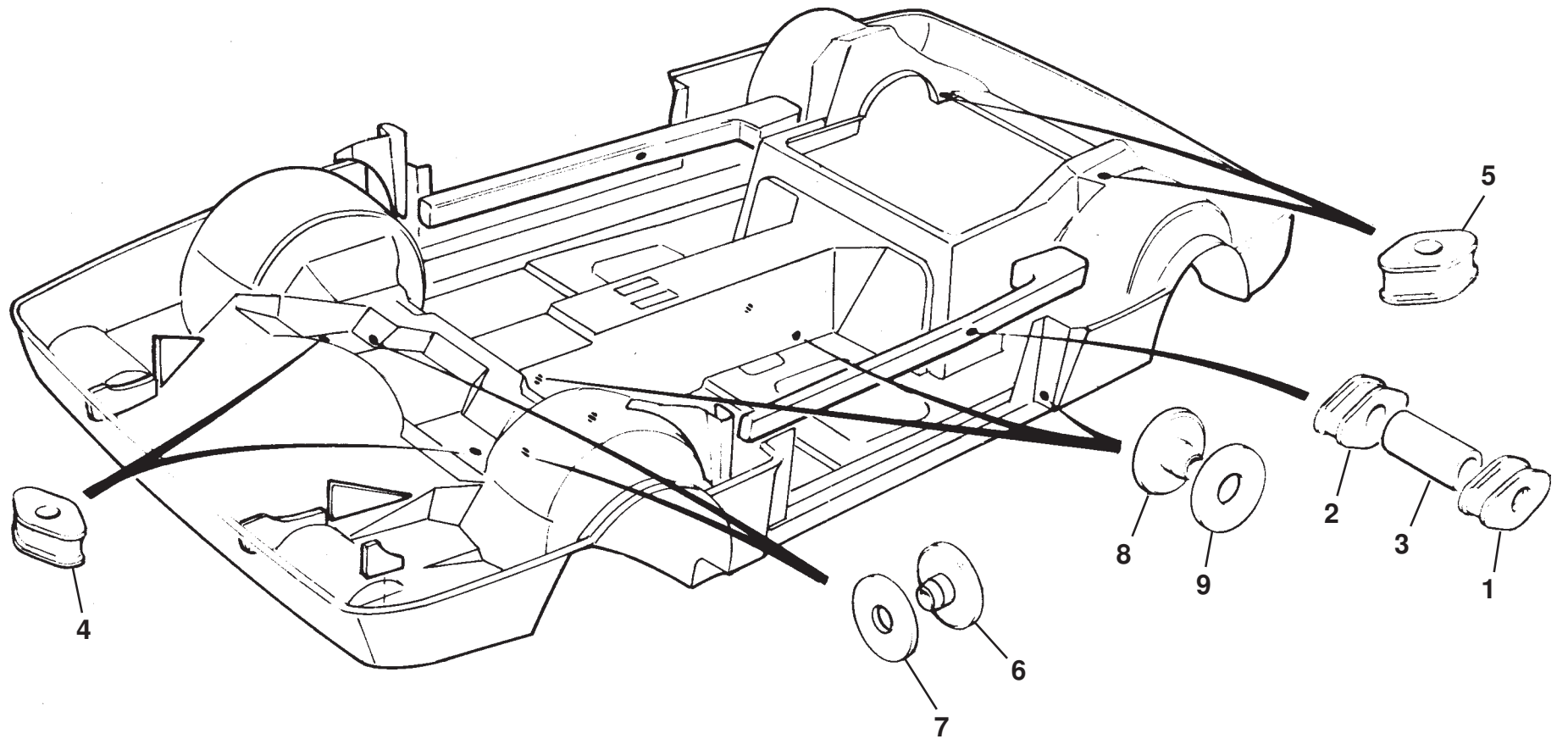
<u>Dep</u>	<u>Part Description</u>	<u>Remarks</u>	<u>Option</u>	<u>Part Number</u>	<u>Qty</u>
19	Bolt M8 x 65, rear bulkhead body/chassis			A075W2044Z	4
20	Washer Flat, rear bulkhead body/chassis			A075W4020Z	8
21	Nut Nyloc M8, rear body mounting			A075W3010Z	4

---

---

18





ESPRIT  
10.04a

*Updated 28th January 2011*

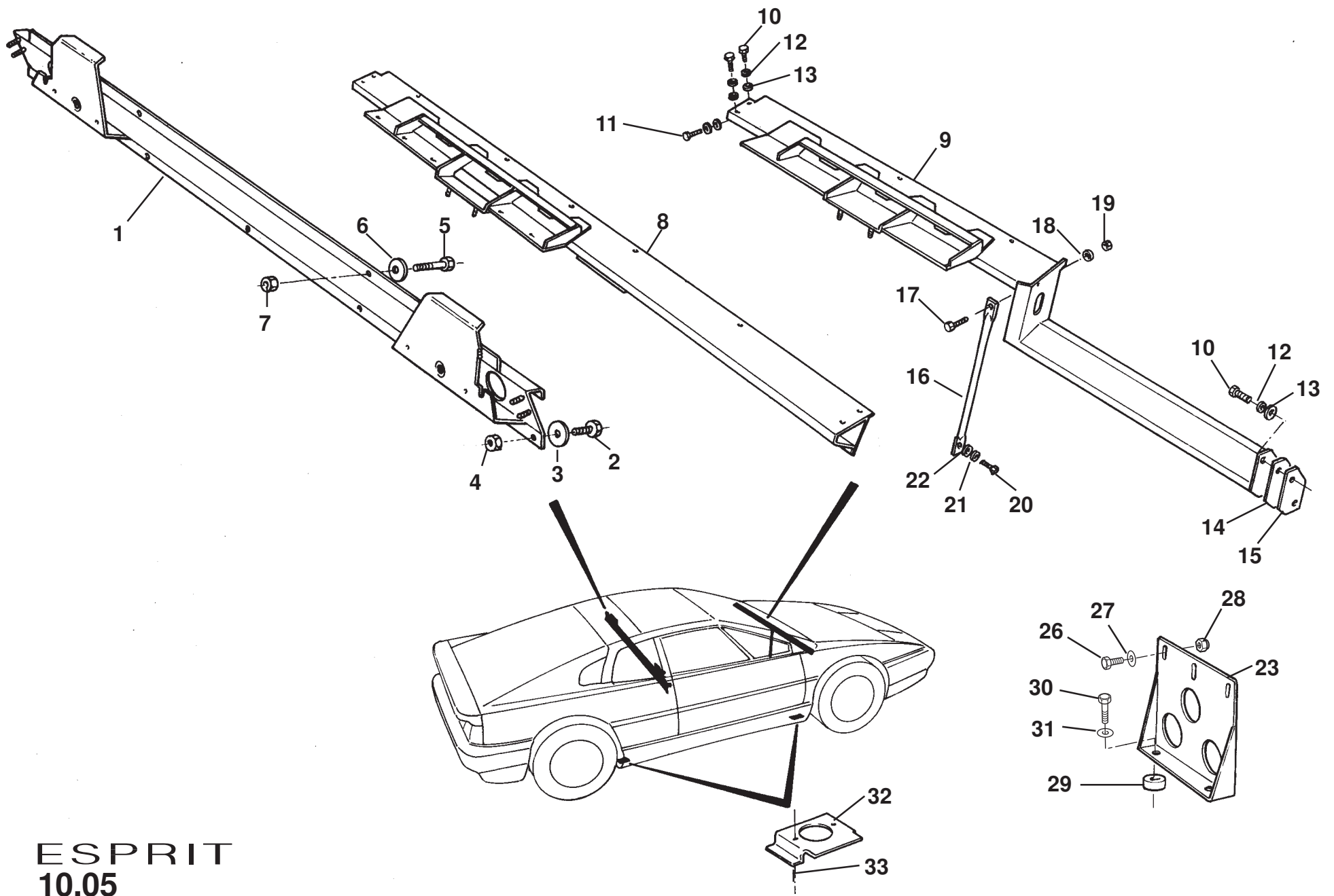
# Service Parts List



## Function Code 10.04a Body Attachment Bobbins

<u>Dep</u>	<u>Part Description</u>	<u>Remarks</u>	<u>Option</u>	<u>Part Number</u>	<u>Qty</u>
01	Bobbin, threaded 7/16 UNF, seat belt anchor			A075B2170Z	2
02	Bobbin, plain M12.5, seat belt anchor			C075B2169Z	2
03	Spacer, sill bobbins			A082B4863F	2
04	Bobbin, plain M8.5, front body/chassis fixing			C075B2166Z	2
05	Bobbin, plain M10.5, front body/chassis fixing			C075B2165Z	2
06	Bobbin, male 12mm, footwell/chassis			AX75B2267Z	2
07	Bobbin, female 12mm, footwell/chassis			AX75B2254Z	2
08	Bobbin, male 12mm, tunnel side and striker post			AX75B2267Z	6
09	Bobbin, female 12mm, tunnel side and striker post			AX75B2254Z	6





**ESPRIT**  
**10.05**

*Updated 6th February 2013*

# Service Parts List



## Function Code 10.05 Body Crossbeams, Jacking Plates

<u>Dep</u>	<u>Part Description</u>	<u>Remarks</u>	<u>Option</u>	<u>Part Number</u>	<u>Qty</u>
01	Crossbeam, rear bulkhead, seatbelt mounting			J079U4309F	1
02	Bolt, thin head, beam end to door aperture			A079U4317F	4
03	Washer large o/d, beam to bulkhead			A075W4021Z	4
04	Nut M8, crossbeam			A075W3021Z	2
05	Setscrew M6 x 25, beam to bulkhead			A075W1031Z	12
06	Washer M6 large o/d, beam to bulkhead			A075W4017Z	12
07	Nut Nyloc M6, beam to bulkhead			A075W3009Z	7
8	Crossbeam, scuttle, RHD		Non SIR	A802U7476F	1
8a	Crossbeam, scuttle, RHD		Sport 300	691.1005.004AK	1
8b	Crossbeam, scuttle, LHD		Non SIR or Driver only SIR	A802U7475F	1
8c	Crossbeam, scuttle, LHD		Sport 300 non SIR	691.1005.003AK	1
9	Crossbeam, scuttle, LHD		Dual SIR	A802U7657F	1
10	Setscrew, M8 x 25, beam to hinge post			A075W1039Z	
11	Setscrew, M8 x 20, beam to hinge post			A075W1038Z	
12	Washer Spring M8, beam to hinge post			A075W1036Z	
13	Washer Flat M8 x 16, beam to hinge post			A075W4020Z	
14	Shim, scuttle beam to door hinge post 1.5mm		Dual SIR	A082U7657F	As reqd
15	Shim, scuttle beam to door hinge post 2.5mm		Dual SIR	A082U7655F	As reqd



**Function Code 10.05 Body Crossbeams, Jacking Plates**

<u>Dep</u>	<u>Part Description</u>	<u>Remarks</u>	<u>Option</u>	<u>Part Number</u>	<u>Qty</u>
16	Strut, scuttle crossbeam support		except Sport 300 without A/C	<b>A082A4246F</b>	1
17	Setscrew M6 x 20, strut to crossbeam		except Sport 300 without A/C	<b>A075W1030Z</b>	1
18	Washer Flat M6 x 12, strut to crossbeam		except Sport 300 without A/C	<b>A075W4013Z</b>	1
19	Nut Nyloc M6, strut to crossbeam		except Sport 300 without A/C	<b>A075W3009Z</b>	1
20	Setscrew M6 x 30, strut to chassis		except Sport 300 without A/C	<b>A075W1032Z</b>	1
21	Washer Spring, strut to chassis		except Sport 300 without A/C	<b>A075W4035Z</b>	1
22	Washer Flat M6 x 12, strut to chassis		except Sport 300 without A/C	<b>A075W4013Z</b>	1
23	Brace, scuttle beam to chassis tunnel		Non SIR & Sport 300 without A/C	<b>691.1005.001AF</b>	1
24	Edging strip, brace lower holes	Not illustrated 470mm	Non SIR & Sport 300 without A/C	<b>A085U6080V</b>	1
25	Foam Seal, brace to body	Not illustrated	Non SIR & Sport 300 without A/C	<b>691.1101.001AF</b>	1
26	Setscrew M6 x 20, brace to scuttlebeam		Non SIR & Sport 300 without A/C	<b>A075W1030Z</b>	3
27	Washer Flat M6 x 12, brace to scuttlebeam		Non SIR & Sport 300 without A/C	<b>A075W4013Z</b>	3
28	Nut Nyloc M6, brace to scuttlebeam		Non SIR & Sport 300 without A/C	<b>A075W3009Z</b>	3
29	Spacer, brace to chassis		Non SIR & Sport 300 without A/C	<b>691.1005.002AF</b>	2
30	Bolt M10 x 40, brace to chassis		Non SIR & Sport 300 without A/C	<b>A075W2052Z</b>	2
31	Washer Flat, brace to chassis		Non SIR & Sport 300 without A/C	<b>A075W4024Z</b>	2

18

---

**Function Code 10.05 Body Crossbeams, Jacking Plates**

<u>Dep</u>	<u>Part Description</u>	<u>Remarks</u>	<u>Option</u>	<u>Part Number</u>	<u>Qty</u>
32	Jacking Plate			A082U7571F	4
33	Pop Rivet, jacking plate			A075W6069Z	8

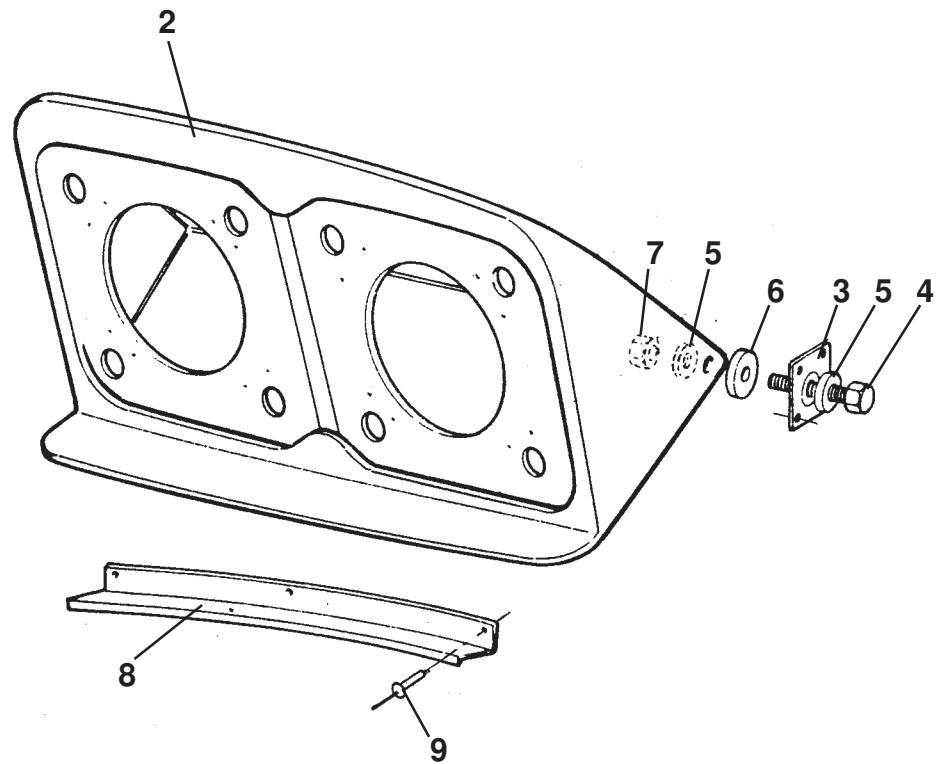
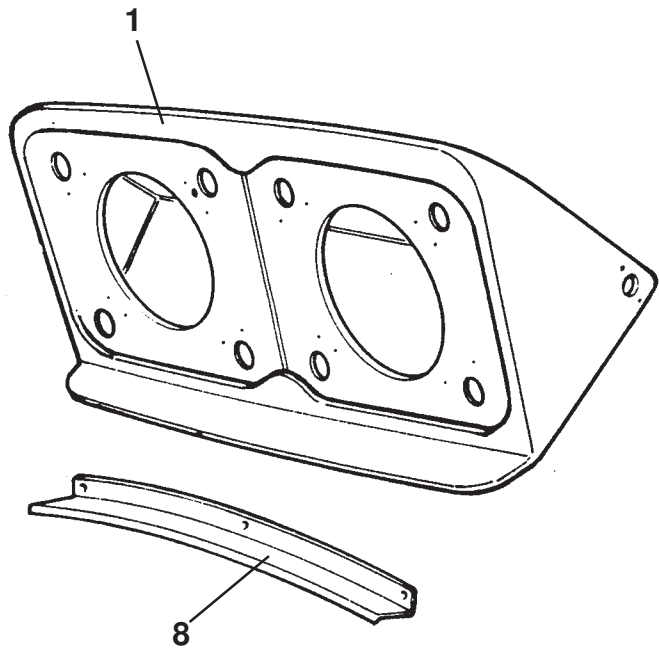
---

Note : List taken from 93 MY on  
book

---

---

18



ESPRIT  
10.07

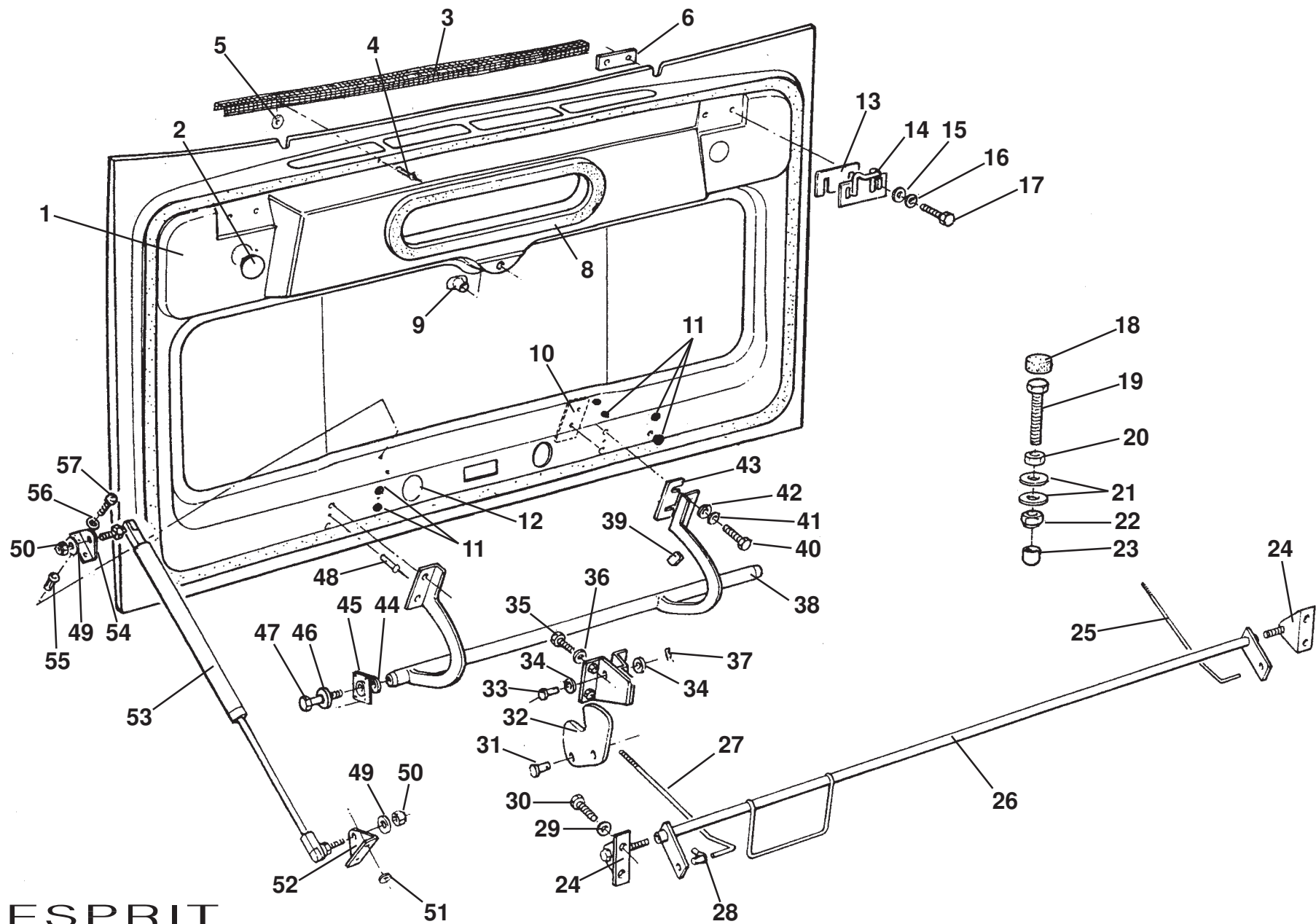
---

**Function Code 10.07 Headlamp Pods & Pivots**

<u>Dep</u>	<u>Part Description</u>	<u>Remarks</u>	<u>Option</u>	<u>Part Number</u>	<u>Qty</u>
01	Headlamp pod, RH ( 6" dia. headlamps )		Except USA & Canada	<b>C082B4852K</b>	1
01a	Headlamp pod, RH ( 5 3/4" dia. headlamps )		USA & Canada	<b>C082B4854K</b>	1
02	Headlamp pod, LH ( 6" dia. headlamps )		Except USA & Canada	<b>C082B4853K</b>	1
02a	Headlamp pod, LH ( 5 3/4" dia. headlamps )		USA & Canada	<b>C082B4855K</b>	1
03	Ball joint, pod pivot			<b>A082U5897F</b>	6
04	Setscrew, M6 x 30, pod outer pivot			<b>A075W1032Z</b>	2
05	Washer, flat, M6 x 18, outer pivot			<b>A075W4018Z</b>	4
06	Washer, flat, M6 x 25, outer pivot			<b>A075W4065Z</b>	2
07	Nut, nyloc, M6, pod outer pivot			<b>A075W3009Z</b>	2
08	Watershield, headlamp motor			<b>B079U4459K</b>	2
09	Pop rivet, watershield to body			<b>A075W6071Z</b>	6
10	Cover, drain hole, pod well	Not illustrated		<b>A082B6141K</b>	2

---





ESPRIT  
10.09

# Service Parts List



## Function Code 10.09 Front Services Access Panels

<u>Dep</u>	<u>Part Description</u>	<u>Remarks</u>	<u>Option</u>	<u>Part Number</u>	<u>Qty</u>
01	Bonnet Panel			A082B5155K	1
01a	Blackout Film, rear of bonnet			A082B5063K	1
02	Grommet, tapping plate access			A079U6033K	2
03	Grille, interior air intake			A082B5122F	4
04	Pop Rivet, grille to bonnet			A075W6092Z	3
05	Washer, grille to bonnet			A075W4001Z	3
06	Tapping Plate, bonnet catch striker			A079U4487F	2
07	Weatherseal, bonnet			A082U7058F	1
07a	Primer, bonnet seal			B082U6199V	As req.
07b	Double sided tape, weatherseal to bonnet			A082U6198V	1.2m
08	Seal, 20mm thick, bonnet to heater plenum,			A082U7304F	1
08a	Seal, 25mm thick, bonnet to heater plenum,			A082U7305F	As req.
09	Funnel, bonnet plenum drain			A082P6056F	1
10	Tapping Plate, bonnet hinge			A089B2455F	2
10a	Pop Rivet, tapping plate fix			A075W6090Z	2
11	Grommet, blanking			A089U6056F	6
12	Grommet, bonnet lamp wiring unused hole blank			A079U6033F	1
13	Shim, striker to bonnet, 1.2 mm			A076U0618F	As req.

Function Code: 10.09, Page: 1

*Updated 1st August 2013*

**Function Code 10.09 Front Services Access Panels**

<u>Dep</u>	<u>Part Description</u>	<u>Remarks</u>	<u>Option</u>	<u>Part Number</u>	<u>Qty</u>
13a	Shim, striker to bonnet, 2.5 mm			A082U7415F	As req.
14	Striker, bonnet catch			A079U4266F	2
15	Washer, flat, M8, striker fix			A075W4021Z	4
16	Washer, spring, M8, striker fix			A075W4036Z	4
17	Setscrew, M8 x 25, hex.hd., striker fix			A079W1039Z	4
18	Buffer, bonnet front corner support			X046B6113Z	2
19	Setscrew, M8 x 35, hex. hd., bonnet support buffer			A075W1041Z	2
20	Locknut, M8, bonnet support buffer			A075W3026Z	4
21	Washer, flat, M8 x 16, bonnet support buffer			A075W4020Z	2
22	Nyloc Nut, M8, bonnet support buffer			A075W3010Z	2
23	Cap, harness protection			A082B6166F	2
24	Bracket, cross-shaft pivot			A079U4220K	2
25	Rod, bonnet lock, RH			B082U5826F	1
25a	Rod, bonnet lock, RH		Dual SIR.	C082U5826F	1
26	Cross-shaft, bonnet release		RHD	A082U7681F	1
26a	Cross-shaft, bonnet release		LHD non dual SIR.	A082U7680F	1
26b	Cross-shaft, bonnet release		Dual S.I.R.	A082U7670F	1
27	Rod, bonnet lock, LH			A082U7117F	1
28	Bush & Clip, rod to cross shaft			A075U6033Z	2
28a	Bush & Clip, rod to cross shaft		Dual SIR, passenger side	A082U6267F	1
29	Washer, flat, M6, bracket to body			A075W4013Z	4

18

**Function Code 10.09 Front Services Access Panels**

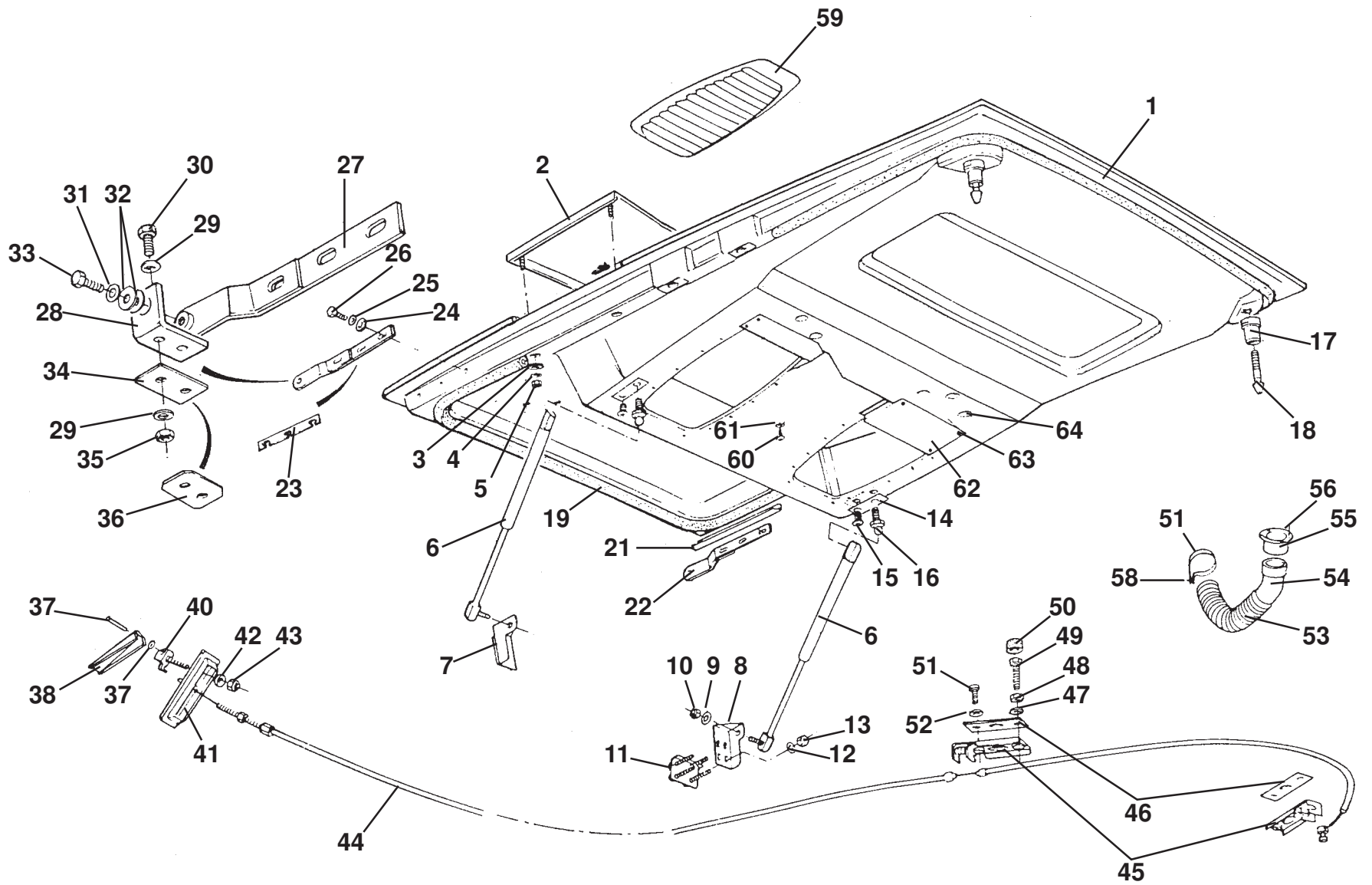
<u>Dep</u>	<u>Part Description</u>	<u>Remarks</u>	<u>Option</u>	<u>Part Number</u>	<u>Qty</u>
30	Setscrew, M6 x 12, bracket to body			A075W1027Z	4
31	Clevis Pin, latch rod to disc			B079U4219F	2
32	Latch Disc, bonnet lock		A082U7149F R/B	B082U7149F	2
33	Clevis Pin, latch disc to bracket			A075W6033Z	2
34	Bracket, bonnet latch			A082U5825F	2
35	Screw, 10 UNF x 3/4", bracket fix			A075W5061Z	6
36	Washer, flat, bracket fix			A075W4000Z	6
37	' R ' Clip, latch disc clevis			A075W6175Z	2
38	Hinge Bar, bonnet opening		RHD	D085U5828F	1
38a	Hinge Bar, bonnet opening		LHD	D085U5827F	1
39	Edge Clip, bonnet lamp wiring to hinge			A075W6047Z	3
40	Setscrew, M8 x 30, hex. hd., hinge to bonnet			A075W1040Z	4
41	Washer, spring, M8, hinge to bonnet			A075W4035Z	4
42	Washer, flat, M8 x 25, hinge to bonnet fix			A075W4021Z	4
43	Shim plate, hinge to bonnet			A076U0600Z	As req.
44	Spacer washer, flat, M6 x 12, hinge pivot			A075W4013Z	2
45	Ball Joint, bonnet pivot			A082U5897F	2
46	Washer, M6, spring, hinge pivot bolt			A075W4035Z	2
47	Bolt, M6 x 35, hinge pivot			A075W2029Z	2
48	Pop Rivet, tapping plate fix			A075W6090Z	2
49	Washer, flat, M8 x 20, gas strut pivot			A079W4019F	1

18

---

**Function Code 10.09 Front Services Access Panels**

<u>Dep</u>	<u>Part Description</u>	<u>Remarks</u>	<u>Option</u>	<u>Part Number</u>	<u>Qty</u>
50	Nyloc Nut, M8, gas strut pivot		RHD	A075W3010Z	2
50a	Nyloc Nut, M8, thin head, gas strut pivot		LHD	A907E6284F	2
51	Washer, pop rivet, bracket to plenum			A075W4009Z	4
52	Anchor Bracket, gas strut to plenum			A082U7143F	2
53	Gas Strut, bonnet support			B082U6158F	1
54	Anchor Bracket, gas strut to bonnet			A082U7143F	1
55	Jacknut, M5, bracket to bonnet			A076W3043F	2
56	Washer, spring, M5, bracket to bonnet			A075W4045Z	2
57	Setscrew, M5 x 20, bracket to bonnet			A075W5084Z2	2
58	Restrictor Node, bonnet underside	Not illustrated	2002 MY, USA	A082B5562K	1
59	Double Sided Tape, restrictor to bonnet	Not illustrated	2002 MY, USA	A117B0361V	0.08M



**ESPRIT**  
**10.11a**

**Function Code 10.11a Tailgate & Release Mechanism**

<u>Dep</u>	<u>Part Description</u>	<u>Remarks</u>	<u>Option</u>	<u>Part Number</u>	<u>Qty</u>
01	Tailgate	Without aerofoil mounting holes	V8 prior '98 MY, GT3, V8GT	<b>P691.1011.001AJ</b>	1
01a	Tailgate	With aerofoil mounting holes	V8 '98 MY on, Sport 350	<b>A082B5424J</b>	1
01b	Tailgate	Without aerofoil mounting holes, with CHMSL	V8GT	<b>A082B5515K</b>	1
02	Canopy, tailgate		V8, Sport 350	<b>B082B5024J</b>	1
02a	Canopy, tailgate	For CHMSL mounting	V8GT	<b>A082B5478F</b>	1
03	Spacer Washer, neoprene, canopy to tailgate			<b>A082W4115F</b>	20
04	Washer, flat, canopy fixing			<b>A075W4000Z</b>	8
05	Nyloc Nut, M5, canopy to tailgate			<b>A075W3008Z</b>	8
06	Gas Strut, tailgate support, RH & LH	For body mounted, or no aerofoil	V8 prior '98 MY, GT3, V8GT	<b>P691.1011.601AF</b>	2
06a	Gas Strut, tailgate support, RH	For tailgate mounted aerofoil	V8, '98 MY on, Sport 350	<b>A082U6169F</b>	1
06b	Gas Strut, tailgate support, LH, locking, (warning label)	For tailgate mounted aerofoil	V8, '98 MY on, Sport 350	<b>A082U6208F</b>	1
07	Anchor Bracket, strut to bulkhead, LH			<b>B082U7359F</b>	1
08	Anchor Bracket, strut to bulkhead, RH			<b>B082U7358F</b>	1
09	Washer, flat, M8 x 16, gas strut to anchor bracket			<b>A075W4020Z</b>	2
10	Nyloc Nut, M8.			<b>A907E6284F</b>	2
11	Studplate, anchor bracket to body			<b>B082U7125F</b>	2
12	Washer, flat, M6 x 15, studplate to anchor bracket			<b>A075W4015Z</b>	8
13	Nyloc Nut, M6, studplate to anchor bracket			<b>A075W3009Z</b>	8
14	Spreader plate, gas strut bracket			<b>A082U7524F</b>	2
14a	Tapping Plate, gas strut to tailgate	Not illustrated		<b>A082U7441F</b>	2

**Function Code 10.11a Tailgate & Release Mechanism**

<u>Dep</u>	<u>Part Description</u>	<u>Remarks</u>	<u>Option</u>	<u>Part Number</u>	<u>Qty</u>
15	Screw, M8 x 16, fixing spreader to tapping plate			A082W7105F	2
16	Post Screw, M5 x 40, gas strut to tailgate			A100W7102F	2
17	Guide Sleeve, tailgate striker pin			B082U7544F	2
18	Striker Pin			B082U5900L	2
19	Weatherstrip Seal, tailgate			A082U7059F	1
20	Double Sided Tape, tailgate seal fixing	Not illustrated		A082U6198V	1.2M
21	Tapping Plate, RH			B082U7020K	1
21a	Tapping Plate, LH	Not illustrated		B082U7021K	1
22	Hinge Blade, tailgate, RH			C082U5952F	1
23	Shim Plate, 1.0 mm, hinge blade to tailgate			A082U7399F	As req.
23a	Shim Plate, 2.0 mm, hinge blade to tailgate			A082U7398F	As req.
24	Washer, flat, M6, stainless, hinge fixing			A082W4133F	6
25	Washer, spring M6, hinge fixing			A075W4035Z	6
26	Screw, M6, stainless, hinge fixing			A100W7096F	6
27	Hinge Blade, tailgate LH			C082U5951F	1
28	Pivot Bracket, tailgate hinge			C082U5950F	2
29	Washer, flat, M8 x 16			A075W4020Z	6
30	Setscrew, M8 x 25, hinge bracket to body			A075W1039Z	4
31	Washer, flat, pivot bolt			A075W4024Z	4
32	Washer, shakeproof, pivot bolt			A075W4049Z	2
33	Pivot Bolt, tailgate hinge			A082W1077Z	2

18

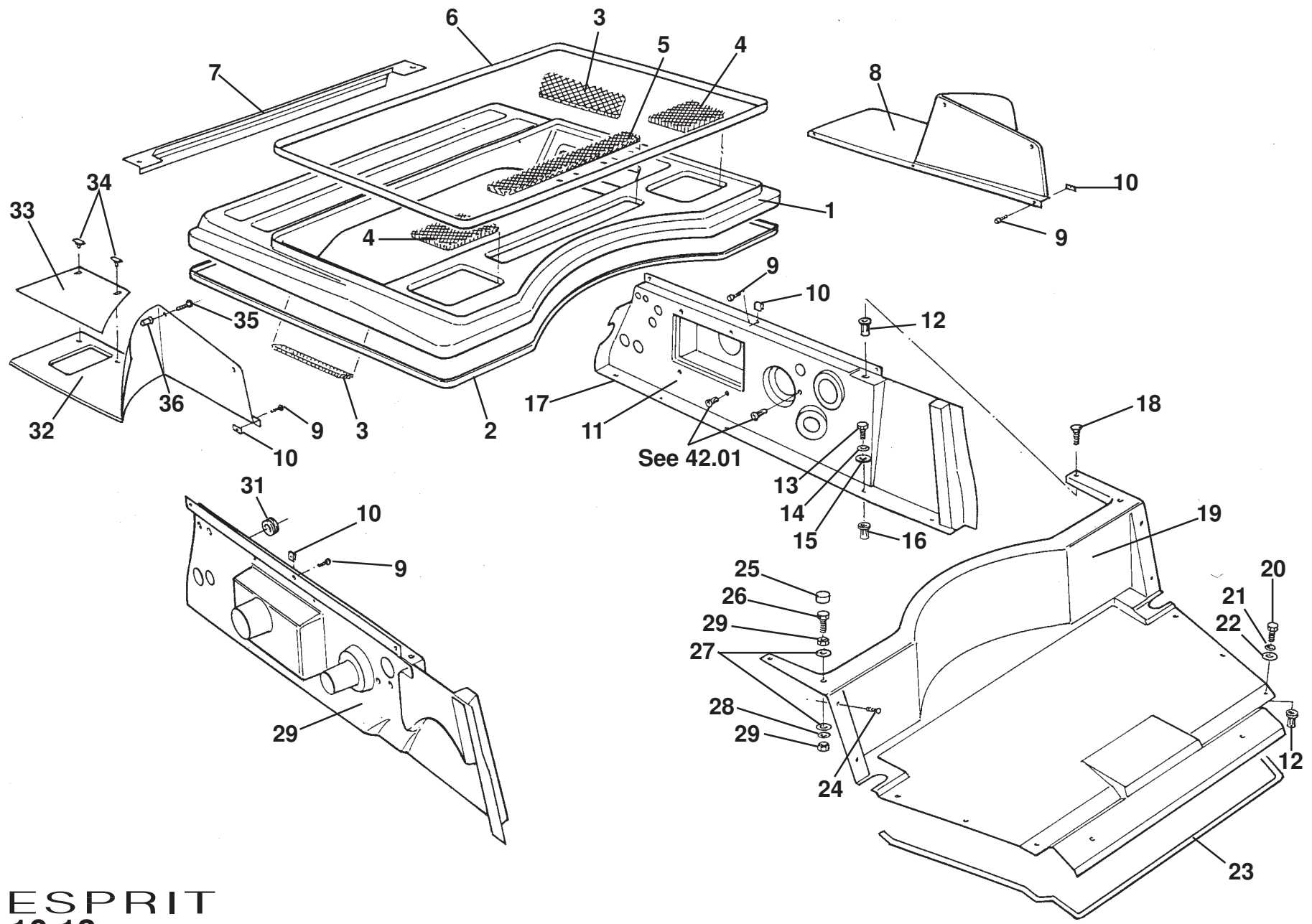


**Function Code 10.11a Tailgate & Release Mechanism**

<u>Dep</u>	<u>Part Description</u>	<u>Remarks</u>	<u>Option</u>	<u>Part Number</u>	<u>Qty</u>
34	Gasket, hinge bracket to body			A082U5955F	2
35	Nyloc Half Nut, M8, hinge bracket fixing			A907E6284F	4
36	Spreader plate, fixings to body			A082U7416F	2
37	Spirol Pin, release lever pivot			A082W6235F	1
38	Lever, tailgate release			B082U4916F	1
39	Washer, flat, lever pivot			A075W4011Z	1
40	Hinge bracket, release lever			A082U4915F	1
41	Recess moulding, release lever			A082U7085F	1
42	Washer, large O/D, lever bracket fixing`			A075W4015Z	1
43	Nut, nyloc, M6, lever pivot			A075W3009Z	1
44	Cable, tailgate release			C082U5995F	1
45	Slider assembly, tailgate latch			A082U6087F	2
46	Guide plate, tailgate striker			B082U7234F	2
47	Washer, shakeproof, M8			A075W4048Z	2
48	Locknut, M8			A075W3026Z	2
49	Setscrew, M8 x 35			A075W1041Z	2
49a	Setscrew, M8 x 45	In place of M8 x 35 (item 49) if necessary		A075W1043Z	2
50	Buffer, tailgate abutment			A046B6113Z	2
51	Setscrew, M8 x 25, guide plate/slider fixing			A075W1039Z	2
52	Washer, shakeproof, M8			A075W4048Z	2

**Function Code 10.11a Tailgate & Release Mechanism**

<u>Dep</u>	<u>Part Description</u>	<u>Remarks</u>	<u>Option</u>	<u>Part Number</u>	<u>Qty</u>
53	Hose, tailgate gutter drain			A082U5015K	2
54	Elbow, tailgate gutter drain			A082B6079F	2
55	Adaptor, tailgate gutter drain	In rear corners of body aperture		A082U5821K	2
56	Pop rivet, drain adaptor fixing			A075W6070Z	6
57	Clip, drain hose			A075W6236F	2
58	Pop rivet, clip to body			A075W6087Z	2
59	Louvre, tailgate vent			A082B5012F	2
60	Screw, M4 x 16, louvre to tailgate			A082W5141F	22
61	Washer, flat, M4			A100W4120F	22
62	Drip Deflector, tailgate			A082B5352F	1
63	Pop Rivet, drip shield fixing			A075W6090Z	8
64	Grommet, rear screw fixings			A082U6235F	4
65	Handle, luminous, tailgate interior release	Not illustrated	2002 MY. USA	A082U6333F	1
66	Bracket, handle to body	Not illustrated	2002 MY. USA	A082U7546F	1
67	Pop Rivet, bracket to body	Not illustrated	2002 MY. USA	A076W6099F	2
68	Washer, flat, 3/16" x 0.5", bracket to body	Not illustrated	2002 MY. USA	A075W4000Z	2
69	Cable, tailgate interior release	Not illustrated	2002 MY. USA	C082U5995F	1
70	Adjuster, tailgate interior release	Not illustrated	2002 MY. USA	A082U6332F	1
71	Slider Assembly, tailgate interior release	Not illustrated	2002 MY. USA	A082U7978K	1
72	Cable Tie, handle to cable	Not illustrated	2002 MY. USA	A075W6038Z	1



**ESPRIT**  
**10.13**

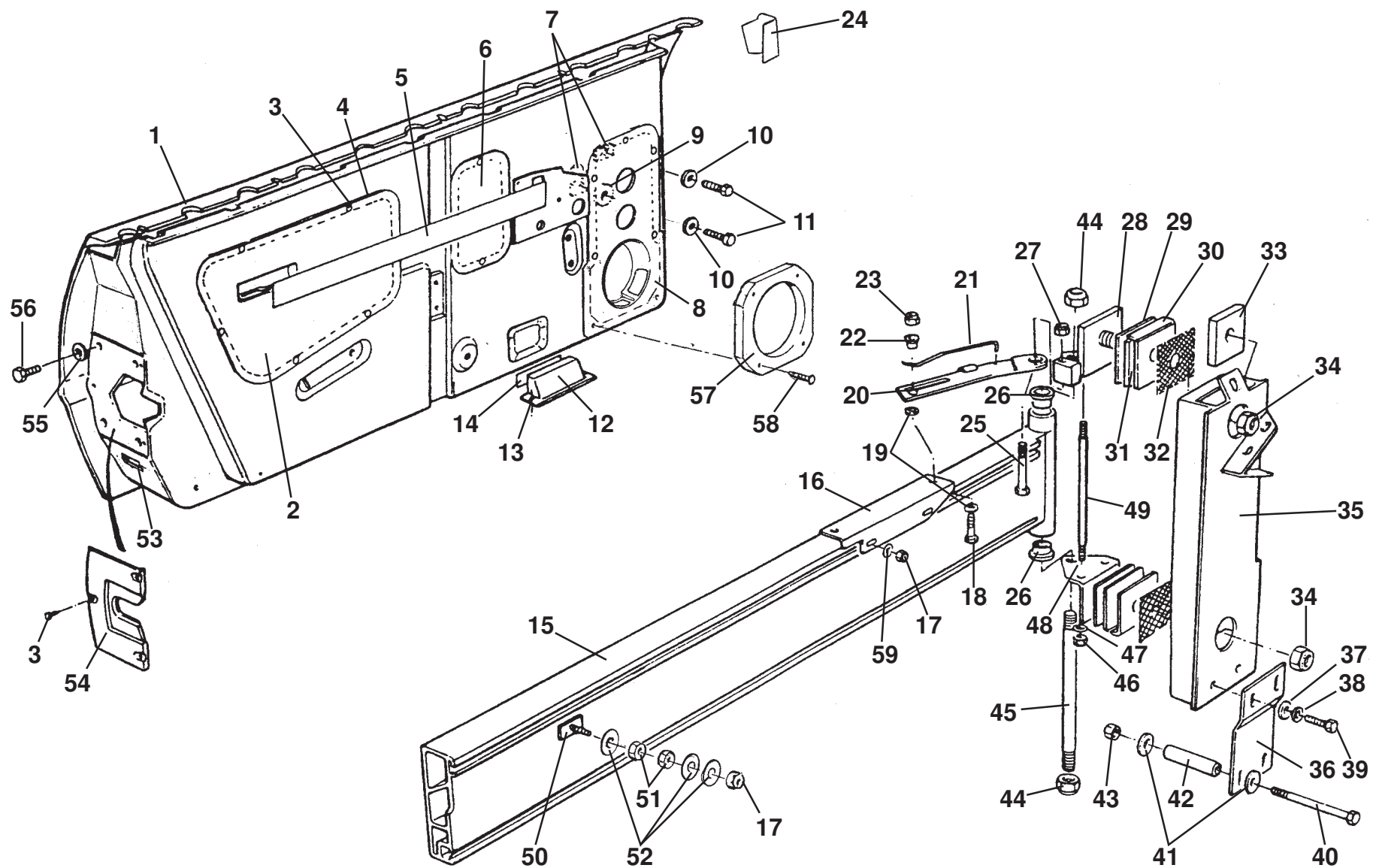
**Function Code 10.13 Engine Compartment, Cover, Seals**

<u>Dep</u>	<u>Part Description</u>	<u>Remarks</u>	<u>Option</u>	<u>Part Number</u>	<u>Qty</u>
01	Engine Cover Assembly	Includes grilles, seals		A082B5334J	1
01a	Engine Cover Assembly, stainless grilles	Includes grilles, seals	'Final Edition'	A082B5566J	1
02	Seal, engine cover lid to bay			A082U5882K	1
03	Grille, engine cover, side front			A082U7778K	2
03a	Grille, engine cover, stainless steel, side front		'Final Edition'	A082U7996F	2
04	Grille, engine cover, side rear			A082U7779K	2
05	Grille, engine cover, centre rear			A082U7780K	1
05a	Grille, engine cover, stainless steel, rear	Extends to sides, replacing item 4	'Final Edition'	A082U7997F	1
06	Seal, engine cover to tailgate			A082U7450K	1
06a	Weather Seal			A089U6055F	1
07	Support, engine cover front			A082U7798J	1
08	Trim Cover, quarter rear, RH			A082B4786K	1
09	Screw, No 6 x 3/4", trim cover fix.			A075W5028Z	6
10	Spire Nut, trim cover fixing			A082W6255F	6
11	Sidewall Trim Panel, RH			B082B5318K	1
12	Jack Nut, M6			A075W3034Z	8
13	Setscrew, M6 x 25, hex. hd.			A075W1031F	6
14	Washer, spring, M6			A075W4035Z	6
15	Washer, flat, M6 x 20 x 2.5			A075W4016Z	6
16	Rivnut, M6 x 60			B082W3092F	6
17	Rubber, self adhesive 1" x 1/8"			A036B6221V	.75m

18

**Function Code 10.13 Engine Compartment, Cover, Seals**

<u>Dep</u>	<u>Part Description</u>	<u>Remarks</u>	<u>Option</u>	<u>Part Number</u>	<u>Qty</u>
17a	Seal, sidewall cover	Not illustrated		A082B4805K	1
18	Screw, M6 x 18, hex.hd.			A079W7033F	2
19	Boot Floor/Bulkhead			A082B5324K	1
20	Setscrew, M6 x 18, hex. hd.			A075W1029Z	8
21	Washer, internal shakeproof, M6			A075W4046Z	8
22	Washer, flat, M6 x 12.1 x 1.4 mm			A075W4013Z	8
23	Seal ,foam, 19 mm x 3 mm			A082U6067F	2.2M
24	Screw, No 8 x ½"			A075W5034Z	4
25	Buffer			A046B6113Z	2
26	Setscrew, M8 x 25, hex. hd.			A075W1039Z	2
27	Washer, flat, M8 x 16.6 x 1.4 mm			A075W4020Z	4
28	Washer, spring, M8			A075W4036Z	2
29	Lock Nut, M8			B075W3026Z	4
30	Sidewall Trim Panel, LH			A082B5317K	1
31	Grommet, thr'o sidewall panel			A082L6181F	1
32	Trim Cover, quarter rear, LH			A082B4785K	1
33	Access Cover, rear quarter, LH			A082U7810F	1
34	Clip, access cover retention			A082W6584F	2
35	Screw, M4 x 16, rear quarter trim cover fix.			B082W5141F	4
36	Well Nut, M4, rear quarter trim cover fix.			B082W6350F	4



**ESPRIT  
10.15**

*Updated 28th January 2011*

# Service Parts List



## Function Code 10.15 Door Shells, Beams, Hinges

<u>Dep</u>	<u>Part Description</u>	<u>Remarks</u>	<u>Option</u>	<u>Part Number</u>	<u>Qty</u>
01	Door Shell, LH		Non USA/Canada	A082B6201K	1
01a	Door Shell, LH	Mirrors mounted further back	USA/Canada	A082B6195K	1
01b	Door Shell, RH		Non USA/Canada	A082B6200K	1
01c	Door Shell, RH	Mirrors mounted further back	USA/Canada	A082B6194K	1
02	Access Panel, door shell rear, RH			A082U7499K	1
02a	Access Panel, door shell rear, LH			A082U7498K	1
03	Fastex Scrivet, 5 mm			A100W6479F	38
04	Foam Strip, access panel sealing			A082U6067F	4.7M
05	Foam Strip, door panel anti - rattle			A082U6065V	1.6M
06	Access Panel, door shell, centre			A082U7505K	2
07	Fixing Plate, M6, door front to beam			A079U4329K	4
08	Access Panel/Speaker Housing, ABS			A082B5411K	2
09	Washer, spacing, shutline adjust			A075W4022Z	As req.
10	Washer, large O/D, door front to beam			A075W4017Z	4
11	Setscrew, M6 x 16, door front to beam			A075W1028Z	4
12	Housing, air outlet flap valve			A082P4352K	2
13	Scrivet, air outlet valve flap fixing			A100W6479F	4
14	Flap, air outlet valve			A082P4351K	2

Function Code: 10.15, Page: 1

Updated 2nd February 2015

**Function Code 10.15 Door Shells, Beams, Hinges**

<u>Dep</u>	<u>Part Description</u>	<u>Remarks</u>	<u>Option</u>	<u>Part Number</u>	<u>Qty</u>
15	Door Beam, LH		Non USA/Canada	A082U6227J	1
15a	Door Beam, LH		USA/Canada	A082U6229J	1
15b	Door Beam, RH		Non USA/Canada	A082U6228J	1
15c	Door Beam, RH		USA/Canada	A082U6230J	1
16	Bracket, check strap guide to beam, LH			B082U5965F	1
16a	Bracket, check strap guide to beam, RH			B082U5966F	1
17	Nyloc Nut, M6, bracket to beam			A075W3009Z	10
18	Setscrew, M6 x 30, guide to bracket			A075W2028Z	2
19	Washer, flat, guide to bracket			A075W4015Z	4
20	Check Strap, LH			A089U1517F	1
20a	Check Strap, RH			A089U1516F	1
21	Spring, door check, LH			A089U1515F	1
21a	Spring, door check, RH			A089U1514F	1
22	Guide, check strap			A089U1518F	2
23	Nyloc Nut, M6, guide to bracket			A075W3009Z	2
24	Finisher, door shell / frame front, LH			A082U7013K	1
24a	Finisher, door shell / frame front, RH			A082U7014K	1
25	Bolt, M8 x 45, strap to hinge			A075W2040Z	2
26	Pivot Bush, door beam			C079U4189F	4
27	Nyloc Nut, M8, strap to hinge			A075W3010Z	2
28	Hinge Bracket, upper, LH			B082U7433F	1

18



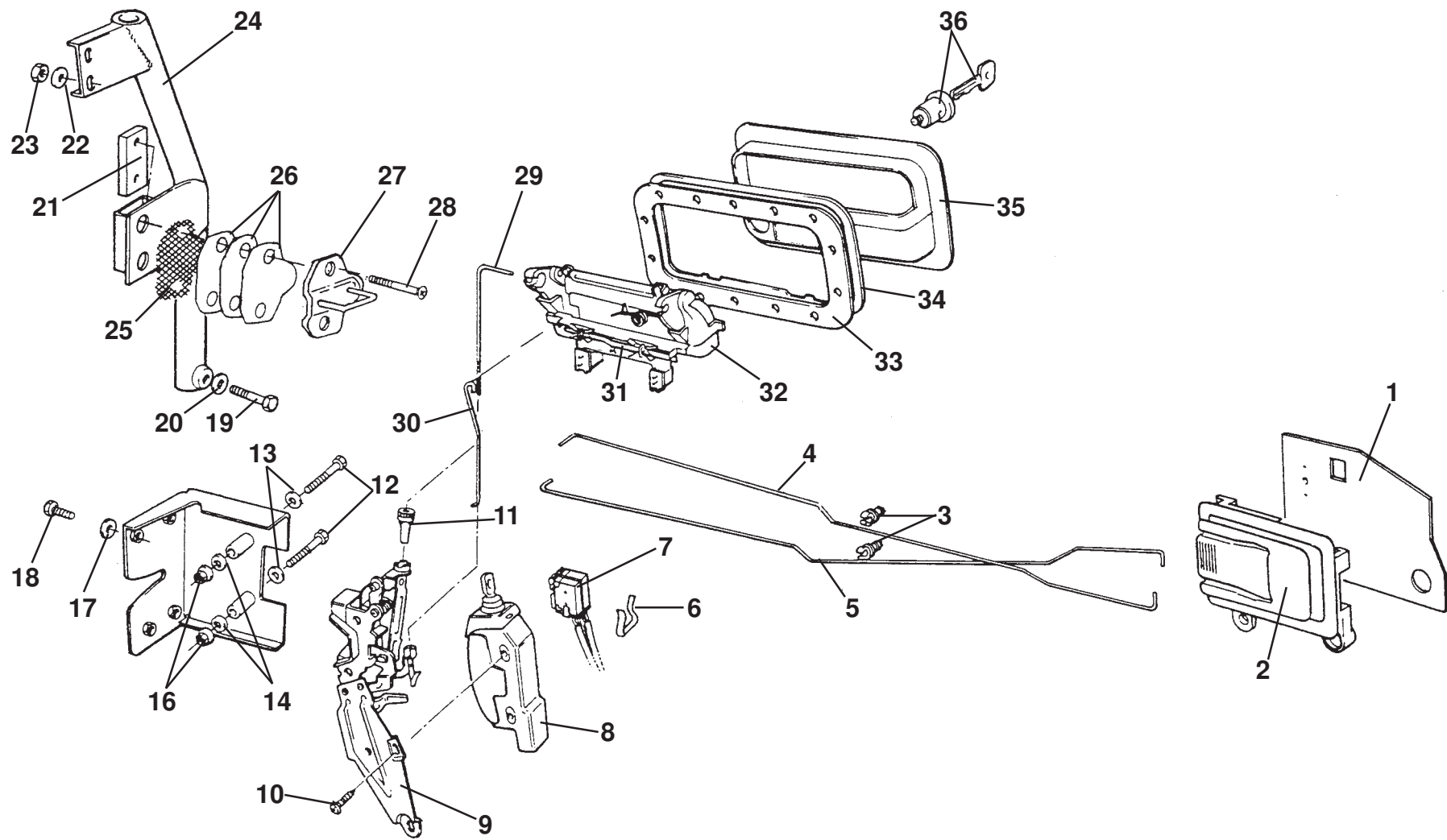
**Function Code 10.15 Door Shells, Beams, Hinges**

<u>Dep</u>	<u>Part Description</u>	<u>Remarks</u>	<u>Option</u>	<u>Part Number</u>	<u>Qty</u>
28a	Hinge Bracket, upper, RH			B082U7432F	1
29	Shim, 2.5mm, hinge to body			C079U4091F	As req.
29a	Shim, 1.2mm, hinge to body			C079U4092F	As req.
30	Shim, angled edge, hinge to body			C079U4090F	4
31	Spacer, 5mm, hinge to body			A082U7144F	4
32	Shim, aluminium, hinge to body			A082U7199F	4
33	Clamp Plate, door hinge			E079U4340F	4
34	Nyloc Nut, ½" UNF, hinge to body			A079W3056F	4
35	Hinge Post, door, LH			E082U7251F	1
35a	Hinge Post, door, RH			E082U7250F	1
36	Reinforcing Bracket, hinge post to sill			A082B4485K	2
37	Washer, flat, bracket to post			A075W4021Z	4
38	Washer, spring, bracket to post			A075W4036Z	4
39	Setscrew, M8 x 16, bracket to post			A075W1036Z	4
40	Bolt, M8 x 75, bracket to sill			A075W2046Z	4
41	Washer, large o/d, bracket to sill			A075W4021Z	8
42	Spacer Tube, bracket to sill			A082B4484F	4
43	Nyloc Nut, M8, bracket to sill			A075W3010Z	4
44	Nyloc Nut, M12, pivot pin			A075W3012Z	4
45	Pivot Pin, door beam			B079U4558F	2
46	Nyloc Nut, M8, tie rod to hinge			A079W3056Z	4

18

**Function Code 10.15 Door Shells, Beams, Hinges**

<u>Dep</u>	<u>Part Description</u>	<u>Remarks</u>	<u>Option</u>	<u>Part Number</u>	<u>Qty</u>
47	Washer, tie rod to hinge			A075W4020Z	4
48	Hinge Bracket, lower			A082U7102F	2
49	Tie Rod, upper to lower hinge brackets			A079U4326F	2
50	Studplate, M6, bracket to door beam			A082U5806F	6
51	Nut, M6			A075W3020Z	18
52	Washer, flat, M6 x 1.5			A075W4015Z	18
53	Plate, door switch/lamp mounting, LH			B082M4913F	1
53a	Plate, door switch/lamp mounting, RH			B082M4912F	1
54	Finisher, rear door edge, LH			A082U7489F	1
54a	Finisher, rear door edge, RH			A082U7488F	1
55	Washer, large o/d, door rear to beam			A075W4021Z	6
55a	Washer, spacing, door rear to beam	If fitted, not illustrated		A075W4003Z	As req.
56	Setscrew, M8 x 20, door rear to beam			A075W1038Z	6
57	Speaker Frame, plywood			A082U7843F	2
58	Screw, pan hd. pozi., frame to door			A075W5013Z	8
59	Washer, flat, M6 x 3			A075W4014Z	4



ESPRIT  
10.17

**Function Code 10.17 Door Latch Mechanism**

<u>Dep</u>	<u>Part Description</u>	<u>Remarks</u>	<u>Option</u>	<u>Part Number</u>	<u>Qty</u>
01	Plate, interior handle mounting, LH			B082U7493F	1
01a	Plate, interior handle mounting, RH	Not illustrated		B082U7492F	1
02	Interior Door Handle, LH			A082U6247F	1
02a	Interior Door Handle, RH	Not illustrated		A082U6246F	1
03	Guide Clip, interior lock/ release rods			A075J6027Z	4
04	Rod, interior release to latch, LH			A082U7463F	1
04a	Rod, interior release to latch, RH	Not illustrated		A082U7462F	1
05	Rod, interior release to latch, LH			B082U7461F	1
05a	Rod, interior release to latch, RH	Not illustrated		B082U7460F	1
06	Clip, micro switch retaining			A082M6525F	2
07	Micro Switch, driver's door			A082M4916J	1
07a	Micro Switch, passenger's door	Not illustrated		A082M4917J	1
08	CDL Motor, driver's side			A082U6245F	1
08a	CDL Motor, passenger's side	Not illustrated		A082U6244F	1
09	Latch Mechanism, LH door			A082U6243F	1
09a	Latch Mechanism, RH door	Not illustrated		A082U6242F	1
10	Screw, CDL motor to latch			A082W5197F	4
11	Adjuster Nut			A082U6269F	2
12	Bolt, M8 x 50, hx. hd., latch bracket to beam			A075W2041F	4
13	Washer, flat, M8, latch bracket to beam			A079W4019F	4
14	Bracket, door latch to beam, LH			A082U6231F	1

18

**Function Code 10.17 Door Latch Mechanism**

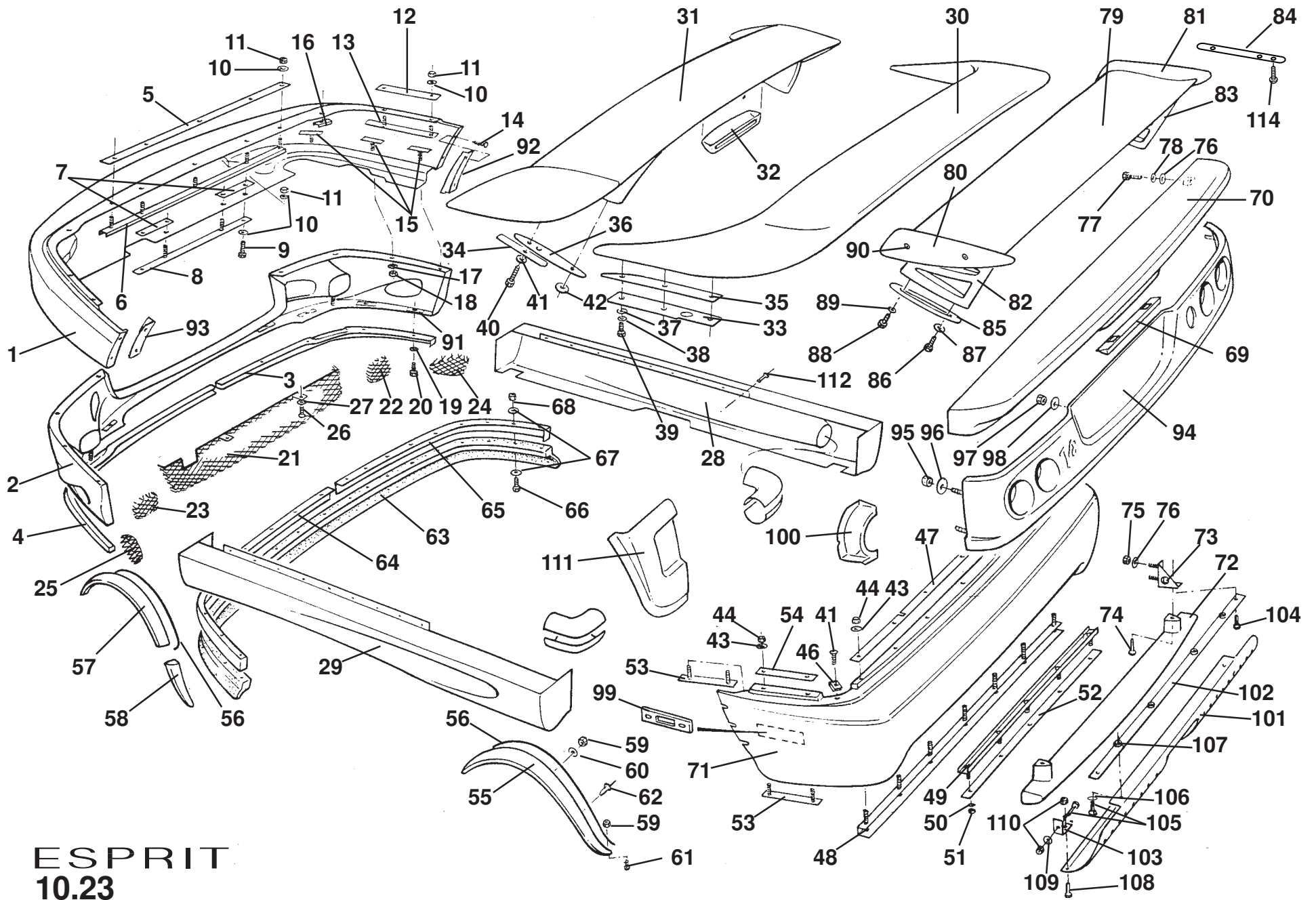
<u>Dep</u>	<u>Part Description</u>	<u>Remarks</u>	<u>Option</u>	<u>Part Number</u>	<u>Qty</u>
14a	Bracket, door latch to beam, RH	Not illustrated		A082U6232F	1
15	Washer, flat, latch to beam			A082W4019F	4
16	Nut, M8, kayloc,			A100C6022F	4
17	Washer, large O/D, door rear to beam			A075W4021Z	6
18	Setscrew, M8 x 20, hex. hd., door rear to beam			A075W1038Z	6
19	Setscrew, M12 x 30, striker post bottom			A079W1058F	2
20	Washer, flat, M12, striker post bottom			A075W4071F	2
21	Tapping Plate, door striker			A082U7472F	2
22	Washer, striker post top			A075W4021Z	4
23	Nyloc Nut, M8, striker post top			A075W3010Z	4
24	Striker Post, LH			G079U4381F	1
24a	Striker Post, RH			G079U4382F	1
25	Friction Plate, striker to body			A082U7477F	2
26	Spacer, door latch striker			A082U6263F	6
27	Striker Plate, door latch			A082U6262F	2
28	Screw, M8 x 40, csk., striker plate fixing			A082W7107F	4
29	Rod, exterior release to latch			A082U7466F	2
29a	Clip, exterior release rod to handle			A082U6267F	2
30	Rod, exterior lock to latch, LH			C082U7465F	1
30a	Rod, exterior lock to latch, RH	Not illustrated		C082U7464F	1
31	Spring Clip, handle mechanism retention			A082U6259F	2

18

---

**Function Code 10.17 Door Latch Mechanism**

<u>Dep</u>	<u>Part Description</u>	<u>Remarks</u>	<u>Option</u>	<u>Part Number</u>	<u>Qty</u>
32	Exterior Door Handle Mechanism			<b>A082U6240F</b>	2
33	Plate, exterior handle reinforcement	Bonded to door shell		<b>B082U6233F</b>	2
34	Gasket, exterior handle to door			<b>A082U6241F</b>	2
35	Mounting Escutcheon, exterior door handle, LH			<b>A082U6239F</b>	1
35a	Mounting Escutcheon, exterior door handle, RH	Not illustrated		<b>A082U6238F</b>	1
36	Lock Barrel & Keys, driver's door			<b>A082U6300S</b>	1
36a	Lock Barrel & Keys, passenger's door	Not illustrated		<b>A082U6301S</b>	1
36b	Car Lock Set, LHD	Includes keys & barrels for steering lock/doors/glovebox		<b>B082H6059F</b>	1
36c	Car Lock Set, RHD	Includes keys & barrels for steering lock/doors/glovebox		<b>B082H6060F</b>	1
37	Blank Key/Keyhole Light	Not illus., order with lock set		<b>A117H0022F</b>	2



**ESPRIT**  
**10.23**

*Updated 6th February 2013*

# Service Parts List



## Function Code 10.23 Bumpers, Valences Spoilers & Aerofoils

<u>Dep</u>	<u>Part Description</u>	<u>Remarks</u>	<u>Option</u>	<u>Part Number</u>	<u>Qty</u>
01	Bumper, front, RRIM			A082B5116K	1
01a	Bumper, front, GFRP		USA side marker cut outs	A082B5173K	1
01b	Foam, front bumper	Not illustrated	USA	A082B5171K	1
02	Valance, front		V8 models	A082B5358K	1
02a	Valance, front		GT3	A082B5157K	1
03	Lip Spoiler, RH			A082B5084K	1
04	Lip Spoiler, LH			A082B5083K	1
04a	Plastic Fastener, spoiler to valence			A100W6481F	10
05	Washer plate			A082B4810F	1
06	Studplate			A082B4809F	1
07	Washer plate			B082B4818F	2
08	Studplate			A082B4820F	1
09	Setscrew			A075W1031F	2
10	Washer, flat			A075W4015F	15
11	Nut, nyloc, M6			A075W3009Z	15
12	Washer Plate			A082B4814F	2
13	Studplate			A082B4813F	2
14	Screw, self tap. flg hd. pozi, plinth to bumper			A075W5074Z	4



Function Code: 10.23, Page: 1

Updated 2nd March 2015



**Function Code 10.23 Bumpers, Valences Spoilers & Aerofoils**

<u>Dep</u>	<u>Part Description</u>	<u>Remarks</u>	<u>Option</u>	<u>Part Number</u>	<u>Qty</u>
15	Studplate			A082U7321F	6
16	Reinforcing Strip			A082B4812F	2
17	Washer, flat			A075W4015Z	6
18	Nut, nyloc, M6			A075W3009Z	6
19	Washer, flat			A075W4015Z	8
20	Setscrew			A075W1031F	8
21	Intake Grille, black, front			A082U7802F	1
21a	Intake Grille, titanium, front		Sport 350	A082U7953F	1
21b	Intake Grille, stainless steel, front		'Final Edition'	A082U7991F	1
22	Intake Grille, black, RH			A082U7804F	1
22a	Intake Grille, titanium, RH		Sport 350	A082U7954F	1
22b	Intake Grille, stainless steel, RH		'Final Edition'	A082U7992F	1
23	Intake Grille, black, LH			A082U7805F	1
23a	Intake Grille, titanium, LH		Sport 350	A082U7955F	1
23b	Intake Grille, stainless steel, LH		'Final Edition'	A082U7993F	1
24	Outlet Grille, black, RH			A082U7806F	1
24a	Outlet Grille, titanium, RH		Sport 350	A082U7956F	1
24b	Outlet Grille, stainless steel, RH		'04 MY	A082U7994F	1
25	Outlet Grille, black, LH			A082U7807F	1
25a	Outlet Grille, titanium, LH		Sport 350	A082U7957F	1
25b	Outlet Grille, stainless steel, LH		'Final Edition'	A082U7995F	1

18

**Function Code 10.23 Bumpers, Valences Spoilers & Aerofoils**

<u>Dep</u>	<u>Part Description</u>	<u>Remarks</u>	<u>Option</u>	<u>Part Number</u>	<u>Qty</u>
26	Setscrew, front grill fixing			A075W4045Z	2
27	Washer, shakeproof, front grill fixing			A082W5184F	2
28	Sill Panel, including duct, RH			B082B5164S	1
29	Sill Panel, including duct, LH			B082B5163S	1
30	Aerofoil, rear body mounted			P691.1023.001AK	1
31	Aerofoil, tailgate mounted		'98 MY on	A082B5420J	1
32	Cover, ABS, CHMSL		'98 MY on	A082B5434K	1
33	Spreader Plate	Bonded inside body	Prior to '98 MY	P691.1023.002AK	2
34	Spreader Plate	Bonded inside tailgate	'98 MY on	A082U7882F	2
35	Gasket		Prior to '98 MY	P691.1023.003AK	2
36	Gasket		'98 MY on	A082B5421K	2
37	Washer, flat			A075W4013Z	6
38	Washer, shakeproof			A075W4046Z	6
39	Setscrew, M6 x 20			A075W1030Z	11
40	Screw, M6 x 30, cap head, 12.9 grade			A082W7171F	4
41	Washer, M6 x 15 , front fix			A082W4133F	2
42	Washer, M6 x 25, rear fix			B075W4017Z	2
43	Washer, flat, M6 x 12			A075W4013Z	16
44	Nut, nyloc, M6			A075W3020Z	16
45	Screw, countersunk			A076W5087Z	2
46	Captive nut, rear bumper top corner			A100W6372F	2

18

**Function Code 10.23 Bumpers, Valences Spoilers & Aerofoils**

<u>Dep</u>	<u>Part Description</u>	<u>Remarks</u>	<u>Option</u>	<u>Part Number</u>	<u>Qty</u>
47	Washer plate			A082U4816F	1
48	Studplate		7 stud	A082B5101F	1
49	Studplate		5 stud GT3	A082B5102F	1
49a	Studplate		5 stud V8	A082B5349F	1
50	Washer, flat, M6 x 12			A075W4013Z	16
51	Nut, nyloc, M6			A075W3020Z	16
52	Washer plate			A082B5103F	1
53	Studplate			A082B4817F	2
54	Washer plate		GT3	B082B4818F	2
54a	Washer plate		V8	A082B5344F	2
55	Rear Wheelarch Extension, LH			A082B5269K	1
55a	Rear Wheelarch Extension, RH			A082B5270K	1
56	Edging strip, wheelarch extensions to body			P530.1023.036AV	As req.
57	Front Wheelarch Extension, LH			A082B5265K	1
57a	Front Wheelarch Extension, RH			A082B5266K	1
58	Spat, front lower wheelarch extension LH			A082B5273K	1
58a	Spat, front lower wheelarch extension RH			A082B5274K	1
59	Nyloc Nut, M5, wheelarch extension fix.			A075W3008Z	26
60	Washer, flat, M5, wheelarch extension fix.			A075W4018Z	24
61	Screw, M5 x 20, flg. hd., rear extension lower fix.			A082W5205F	2
62	Pop Rivet, plastic, rear wheelarch extension fix.			A082W6528F	6

18

**Function Code 10.23 Bumpers, Valences Spoilers & Aerofoils**

<u>Dep</u>	<u>Part Description</u>	<u>Remarks</u>	<u>Option</u>	<u>Part Number</u>	<u>Qty</u>
63	Lip Spoiler, flexible rubber		Sport 350, V8 2002 MY	A082B5501F	1
64	Spoiler Extension Panel, composite, LH		Sport 350, V8 2002 MY	A082B5493K	1
65	Spoiler Extension Panel, composite, RH		Sport 350, V8 2002 MY	A082B5494K	1
66	Setscrew, M6 x 25 hex.hd.		Sport 350, V8 2002 MY	A075W1031Z	18
67	Washer, flat M6		Sport 350, V8 2002 MY	A075W4015F	36
68	Nut, nyloc, M6		Sport 350, V8 2002 MY	A075W3009Z	18
69	Infill Panel, rear spoiler, licence plate lamps	Rectangular license plate	UK/Non USA, Prior '98 MY	B082B6232K	1
69a	Infill Panel, rear spoiler, licence plate lamps	Square licence plate	USA / Australia, prior '98'MY	C082B4935K	1
69b	Infill Panel, rear spoiler, licence plate lamps	Lamp A111M6002F	All markets '98 MY on	A082B5419F	1
70	Spoiler, rear body, short	Used with aerofoil	V8	A082B4745K	1
70a	Spoiler, rear body, long	Used without aerofoil	V8GT, GT3	A082B5258K	1
71	Rear Bumper, RRIM		V8, Non USA	A082B5279K	1
71a	Rear Bumper, RRIM	With side marker lamp apertures	V8, USA	A082B5488K	1
71b	Rear Bumper, RRIM		GT3	A082B5118K	1
71c	Foam, rear bumper	Not illustrated	V8, USA	A082B5172J	1
72	Aerofoil, rear valance	Twin exhaust outlets	V8 + V8-GT	A082B5327J	1
72a	Aerofoil, rear valance	LH exhaust outlet	GT3, Except Australia	B082B6244K	1
72b	Aerofoil, rear valance	RH exhaust outlet	GT3, Australia only	B082B6241K	1
73	Bracket, aerofoil to body			A082U7634F	2
74	Setscrew, M6 x 25, aerofoil to bracket			A075W1031Z	2
75	Nut, nyloc, M6			A075W3020Z	4

18

**Function Code 10.23 Bumpers, Valences Spoilers & Aerofoils**

<u>Dep</u>	<u>Part Description</u>	<u>Remarks</u>	<u>Option</u>	<u>Part Number</u>	<u>Qty</u>
76	Washer, flat, M6 x 25			A075W4017Z	9
77	Setscrew, M6 x 20 hex. hd.			A075W1036Z	5
78	Washer, spring, M6			A075W4046Z	7
79	Aerofoil, carbon fibre, tailgate mounted		Sport 350	A082B5479F	1
80	Aerofoil End Plate, alloy, LH		Sport 350	B082B5481F	1
81	Aerofoil End Plate, alloy, RH		Sport 350	B082B5482F	1
82	Aerofoil Support Strut, alloy, LH		Sport 350	A082U7951F	1
83	Aerofoil Support Strut, alloy, RH		Sport 350	A082U7952F	1
84	Gasket, aerofoil to strut		Sport 350	A082B5484K	2
85	Gasket, strut to tailgate		Sport 350	A082B5483K	2
86	Screw, M6 x 25, button hd., strut to tailgate rear		Sport 350	A075W7016Z	2
87	Washer, flat M6 x 25,		Sport 350	A082W4131Z	2
88	Screw, M6 x 20, skt. hd., strut to tailgate front		Sport 350	A082W7041Z	2
89	Washer, flat, M6		Sport 350	A075W4015Z	2
90	Screw, M6 x 16, csk. cap hd., end plate fix.		Sport 350	A082W7180F	4
91	Nutplate, lip spoiler fix.			A082B4811F	8
92	Plinth, front bumper to wheelarch, RH			A082B5288K	1
93	Plinth, front bumper to wheelarch, LH			A082B5287K	1
94	Rear Transom Panel	For circular tail lamps	2002 MY	A082B5554K	1
95	Nyloc Nut, M6, transom to body	Outer fixings	2002 MY	A907E6285F	4
96	Washer. flat, M6 x 25.5, transom to body	Outer fixings	2002 MY	A075W4017Z	4

18

**Function Code 10.23 Bumpers, Valences Spoilers & Aerofoils**

<u>Dep</u>	<u>Part Description</u>	<u>Remarks</u>	<u>Option</u>	<u>Part Number</u>	<u>Qty</u>
97	Nyloc Nut, M5, transom to body	Inner fixings	2002 MY	A100W3113F	2
98	Washer, flat, M5 x 19, transom to body	Inner fixings	2002 MY	A075W4009Z	2
99	Plate, side marker lamp mounting		USA only	B082B8180K	4
100	Infill Panel, outer lamp to rear body, LH	ABS, bonded to body	2002 MY	A082B5557K	1
100a	Infill Panel, outer lamp to rear body, RH	ABS, bonded to body	2002 MY	A082B5556K	1
101	Infill Panel, stainless steel, round holes, rear bumper	For twin centre outlet exhaust	2002 MY, USA	A082U7983F	1
101a	Infill Panel, stainless steel, oval holes, rear bumper	For twin centre outlet exhaust	'Final Edition'	A082U7990F	1
102	Bracket, panel to body brackets		2002 MY, USA	A082U7986F	1
103	Angle Bracket, lower panel to bumper		2002 MY, USA	A082U7546F	2
104	Screw, M6 x 18, hex. hd. S/S, bracket to body brackets	With captive washer	2002 MY, USA	A082W5267F	2
105	Screw, M5 x 16, hex. hd. S/S, panel & brackets fix.		2002 MY, USA	A111W1163F	6
106	Washer, flat, M5, S/S, panel to bracket		2002 MY, USA	B075W4009Z	4
107	Spire Nut, M5	Fitted to bracket, item 102	2002 MY, USA	B100W6372F	4
108	Screw, M5 x 10, button hd., S/S, panel outer fix.		2002 MY, USA	A082W7179F	2
109	Washer, flat, M5, S/S, bracket to bumper		2002 MY, USA	B075W4009Z	2
110	Nyloc Nut, M5, thin, S/S, bracket/panel fixing		2002 MY, USA	A100W3113F	4
111	Closing Panel, rear bumper to wheel housing, LH		V8	B082B5205F	1
111a	Closing Panel, rear bumper to wheel housing, RH		V8	B082B5206F	1
111b	Closing Panel, rear bumper to wheel housing, LH		GT3	A082B5283K	1
111c	Closing Panel, rear bumper to wheel housing, RH		GT3	A082B5282K	1
112	Pop Rivet, sill to body fixing			A075W6089Z	30

18

---

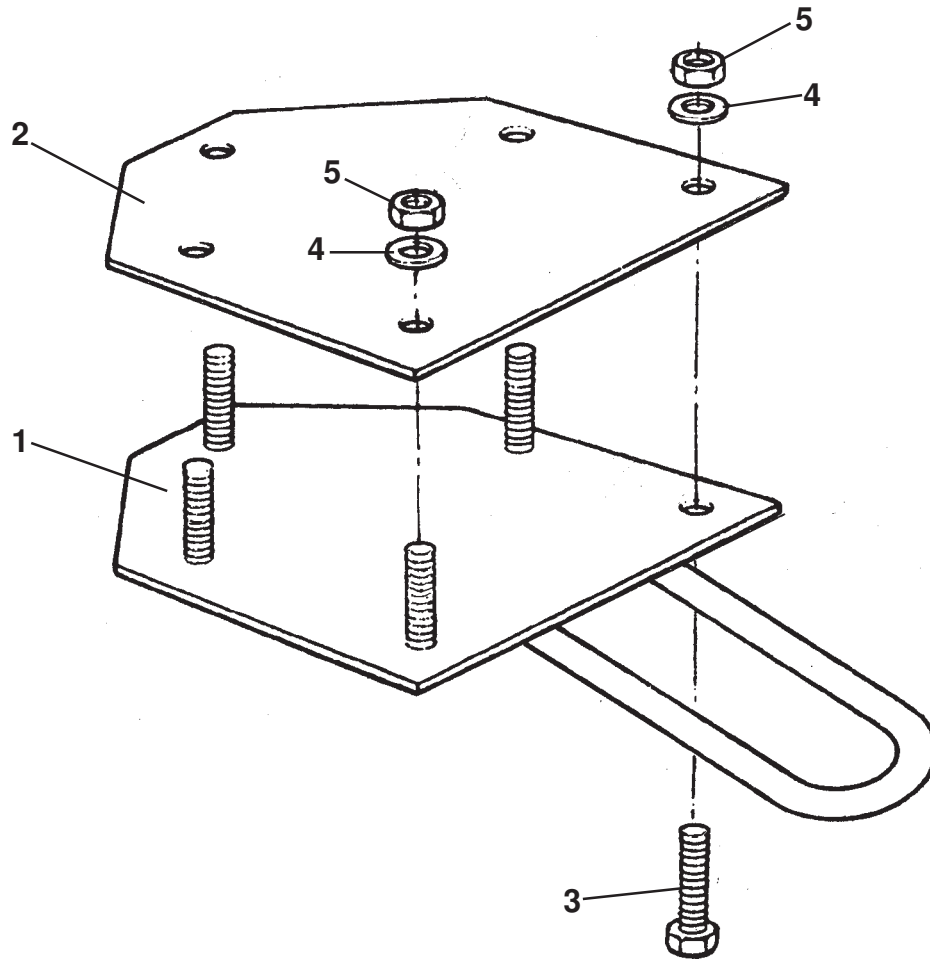
**Function Code 10.23 Bumpers, Valences Spoilers & Aerofoils**

<u>Dep</u>	<u>Part Description</u>	<u>Remarks</u>	<u>Option</u>	<u>Part Number</u>	<u>Qty</u>
113	Foam Strip, 25 x 12.5mm, transom to body	Not illustrated	2002 MY	<b>A082U6065V</b>	1.84M
114	Screw, M5 x 10, button hd., aerofoil to strut		Sport 350	<b>A082W7179F</b>	6

---

---

18



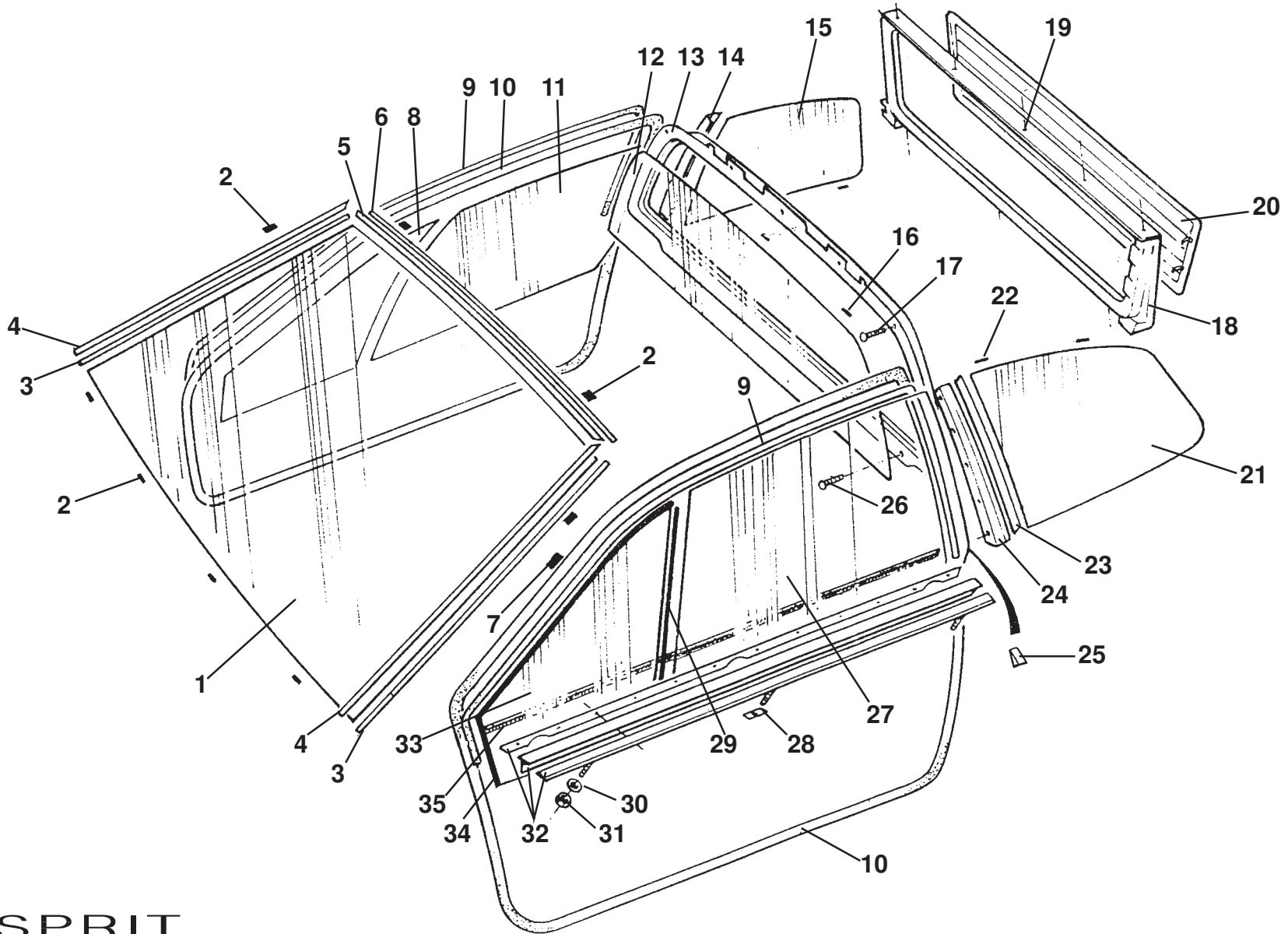
ESPRIT  
10.31



---

**Function Code 10.31 Towing Strut/ Hook**

<u>Dep</u>	<u>Part Description</u>	<u>Remarks</u>	<u>Option</u>	<u>Part Number</u>	<u>Qty</u>
01	Tow - Hook front			B082B4957F	1
02	Reinforcement Plate, Tow - hook fixing			C082B4714F	1
03	Setscrew, M6 x 20, Tow - hook fixing			A075W1030Z	1
04	Washer, M6 x 12, Tow - hook fixing			A075W4013Z	5
05	Nut, Nyloc, M6, Tow - hook fixing			A075W3009Z	5



ESPRIT  
11.01

# Service Parts List



## Function Code 11.01 Windscreen, Door Glass, Seals & Weather Strips

<u>Dep</u>	<u>Part Description</u>	<u>Remarks</u>	<u>Option</u>	<u>Part Number</u>	<u>Qty</u>
01	Windscreen		Tinted	C082U5791F	1
01a	Windscreen		Clear: Australia only	B082U5790F	1
01b	Fitting Kit, windscreen, bulkhead, tailgate, ¼ window glass			A075B6158F	1
02	Spacer, 4mm, windscreen			A075U0588Z	9
03	Carrier, windscreen finisher, sides			A082U7184F	2
04	Finisher, windscreen, RH & LH			A082U7178F	2
05	Finisher, windscreen, Top			A082U7177F	1
06	Carrier, windscreen, Top			A082U7183F	1
07	Spacer, 4mm, front ¼ light frame			A075U0588Z	4
08	Glass, front ¼ light, RH		Tinted	A082U5794F	1
09	Secondary Seal, door window frame			C082U5779F	2
10	Primary Door Seal			B079U4197F	2
11	Drop Glass, door, RH		Tinted	B082U5782F	1
12	Glass, rear bulkhead, 7mm thick			B079U4032F	1
13	Trim Surround, bulkhead glass			A082B4762K	1
14	Finisher, rear ¼ window, RH			A082U5742K	1
15	Glass, rear ¼ window, RH		Tinted	A082U5800F	1
16	Spacer, 4mm, bulkhead glass			A075U0588Z	6

Function Code: 11.01, Page: 1

Updated 2nd February 2015

**Function Code 11.01 Windscreen, Door Glass, Seals & Weather Strips**

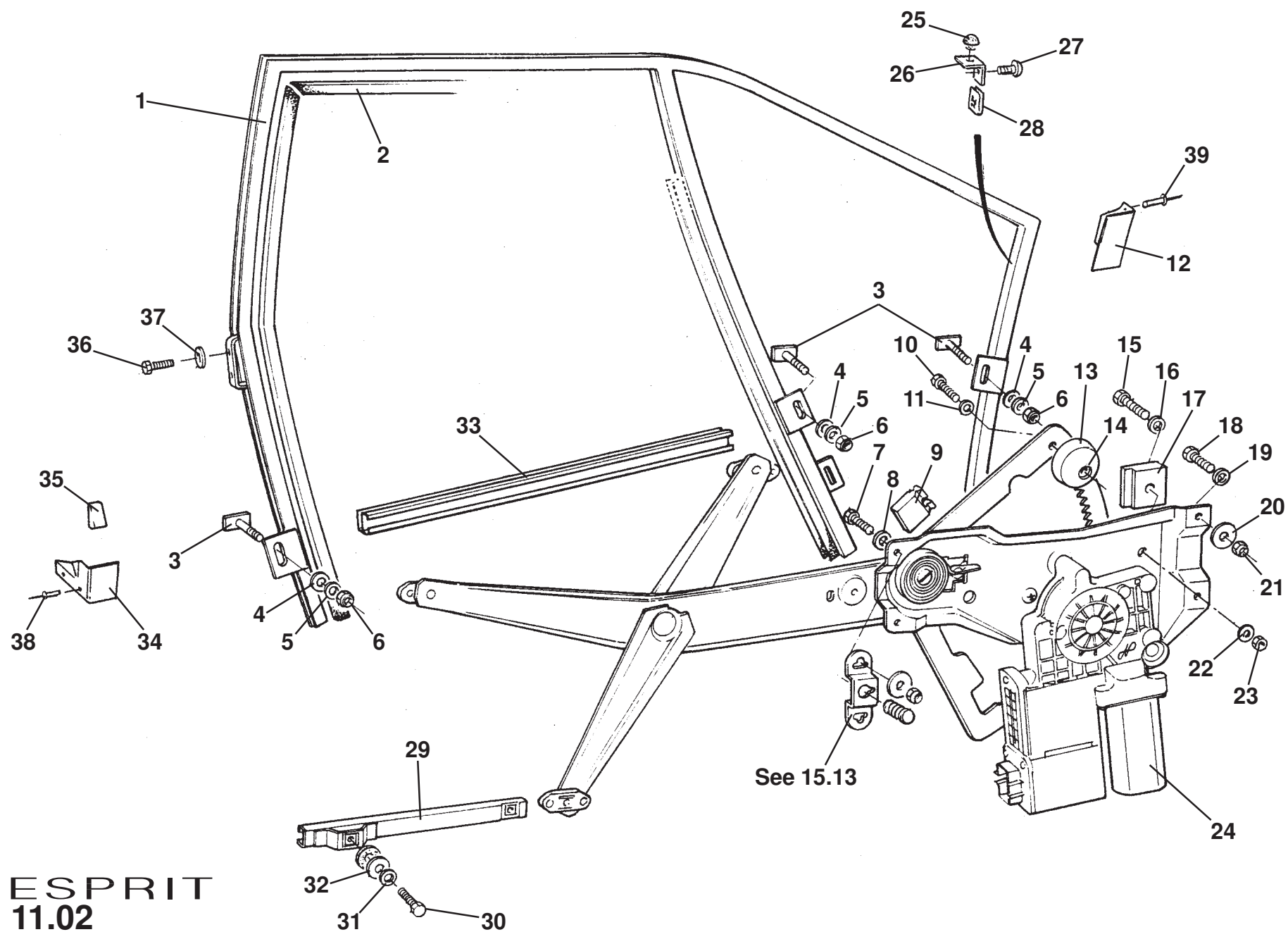
<u>Dep</u>	<u>Part Description</u>	<u>Remarks</u>	<u>Option</u>	<u>Part Number</u>	<u>Qty</u>
17	Screw, No.6 x 3/4", surround to bulkhead			A075W5028Z	5
18	Trim Surround, tailgate glass			B082U7449K	1
19	Plastic Rivet, trim surround top edge fix			A082W6505F	5
20	Tailgate Glass, heated			A082U7436F	1
21	Glass, rear ¼ window, LH		Tinted	A082U5801F	1
22	Spacer, 4 mm, rear ¼ window			A075U0588Z	8
23	Spacer, rear ¼ window finisher, 1.5 mm			A082U7207K	As req.
23a	Spacer, rear ¼ window finisher, 2.5 mm			A082U7209K	As req.
23b	Spacer, rear ¼ window finisher, 3.0 mm			A082U7210K	As req.
24	Finisher, rear ¼ window, LH			A082U5741K	1
25	Fillet, door seal path			A082U6195F	4
26	Screw, No.6 x ½", surround to bulkhead			A075W5014Z	9
27	Drop Glass, door, LH		Tinted	B082U5795F	1
28	Spacer, waist seal carrier to door			A082U7353F	10
29	Insert, door ¼ light glass rear channel			A082U7536V	0.8m
30	Washer, flat, M3, waist seal to door			A075W4001Z	10
31	Nyloc Nut, M3, waist seal to door			A079W3060F	10
32	Seal & Carrier Assembly, door waist exterior, LH			B082U7077J	1
32a	Seal & Carrier Assembly, door waist exterior RH			B082U7076J	1
33	Glass, front ¼ light, LH		Tinted	A082U5781F	1
34	Foam Strip, door ¼ light glass	Fitted to ¼ light front edge		A036B6221V	0.8m

18

---

**Function Code 11.01 Windscreen, Door Glass, Seals & Weather Strips**

<u>Dep</u>	<u>Part Description</u>	<u>Remarks</u>	<u>Option</u>	<u>Part Number</u>	<u>Qty</u>
34a	Insert, door ¼ light glass front channel		LH	C082U5778V	As req.
34b	Insert, door ¼ light glass front channel		RH	C082U5778V	As req.
35	Sealing Strip, door drop glass inner			A082U6067F	2.1m
35a	Tape, double sided, strip retaining			A082B6290V	As req.



**ESPRIT**  
**11.02**

# Service Parts List



## Function Code 11.02 Door Window Lift Mechanism

<u>Dep</u>	<u>Part Description</u>	<u>Remarks</u>	<u>Option</u>	<u>Part Number</u>	<u>Qty</u>
01	Door window frame, LH			G082U5783F	1
01a	Door window frame, RH			G082U5784F	1
02	Sealing channel, drop glass to window frame			C082U5822J	2
03	Studplate, M6 x 40, frame to doorbeam			B082U5947F	10
04	Washer, flat, M6 x 15, frame to door beam			A075W4015Z	6
05	Washer, shakeproof, M6, frame to door beam			A075W4046Z	6
06	Nyloc Nut, M6, frame to door beam			A075W3009Z	6
07	Setscrew, M6 x 20, hex. hd., window lift motor rear fix			A075W1030Z	4
08	Washer, M6, shakeproof, window lift motor			A075W4046Z	4
09	Downstop, window regulator		Non USA	A082M4994K	2
09a	Downstop, window regulator		USA only	A082M4990K	2
10	Setscrew, M6 x 16, hex. hd., upstop fixing			A075W1028Z	2
11	Washer, spring, upstop fixing			A075W4035Z	2
12	Finisher, door shell to frame front, LH			A082U7013K	1
12a	Finisher, door shell to frame front, RH			A082U7014K	1
13	Upstop, window regulator, eccentric adjuster			A082U7531F	2
14	Nut, M6, upstop fixing			A075W3020Z	2
15	Setscrew, M8 x 25, hex. hd., reaction restraint fixing			A075W1039Z	2



**Function Code 11.02 Door Window Lift Mechanism**

<u>Dep</u>	<u>Part Description</u>	<u>Remarks</u>	<u>Option</u>	<u>Part Number</u>	<u>Qty</u>
16	Washer, spring, reaction restraint fixing			A075W4036Z	2
17	Reaction restraint, regulator upstop			A082U7532F	2
18	Setscrew, M5 x 20, hex. hd., window lift motor front fix			A075W1025F	4
19	Washer, flat, 15mm o/d window lift motor front fix			A075W4014Z	4
20	Washer, flat, 2mm o/d , window lift motor front fix			A075W4004Z	4
21	Nyloc Nut, M5, window lift motor front fix			A075W3008Z	4
22	Washer, flat, M8, reaction restraint fixing			A075W4020Z	4
23	Nyloc Nut, M8, reaction restraint fixing			A075W3021Z	2
24	Window lift motor & regulator assembly, LH		Non USA	A082U6255F	1
24a	Window lift motor & regulator assembly, LH	No obstruction sensing	USA only & GT3	A082M4957K	1
24b	Window lift motor & regulator assembly, RH		Non USA	A082U6254F	1
24c	Window lift motor & regulator assembly, RH	No obstruction sensing	USA only &* GT3	A082M4956K	1
25	Button, quarter light retention			A075U6050K	2
26	Bracket, button to window frame			A082U7546F	2
27	Screw, No.6 x 0.5", bracket to window frame			A075W5012F	2
28	Spire Nut, No,6, bracket to window fram			A075W6014Z	2
29	Channel, window regulator reaction			A082U6256F	2
30	Setscrew, M6 x 12, hex. hd. reaction channel to door			A075W1027Z	4
31	Washer, spring, M6, reaction channel to door			A075W4035Z	4
32	Washer, flat, M6, reaction channel to door			B082W4018F	4
33	Carrier, channel, drop glass			A082U6237F	2

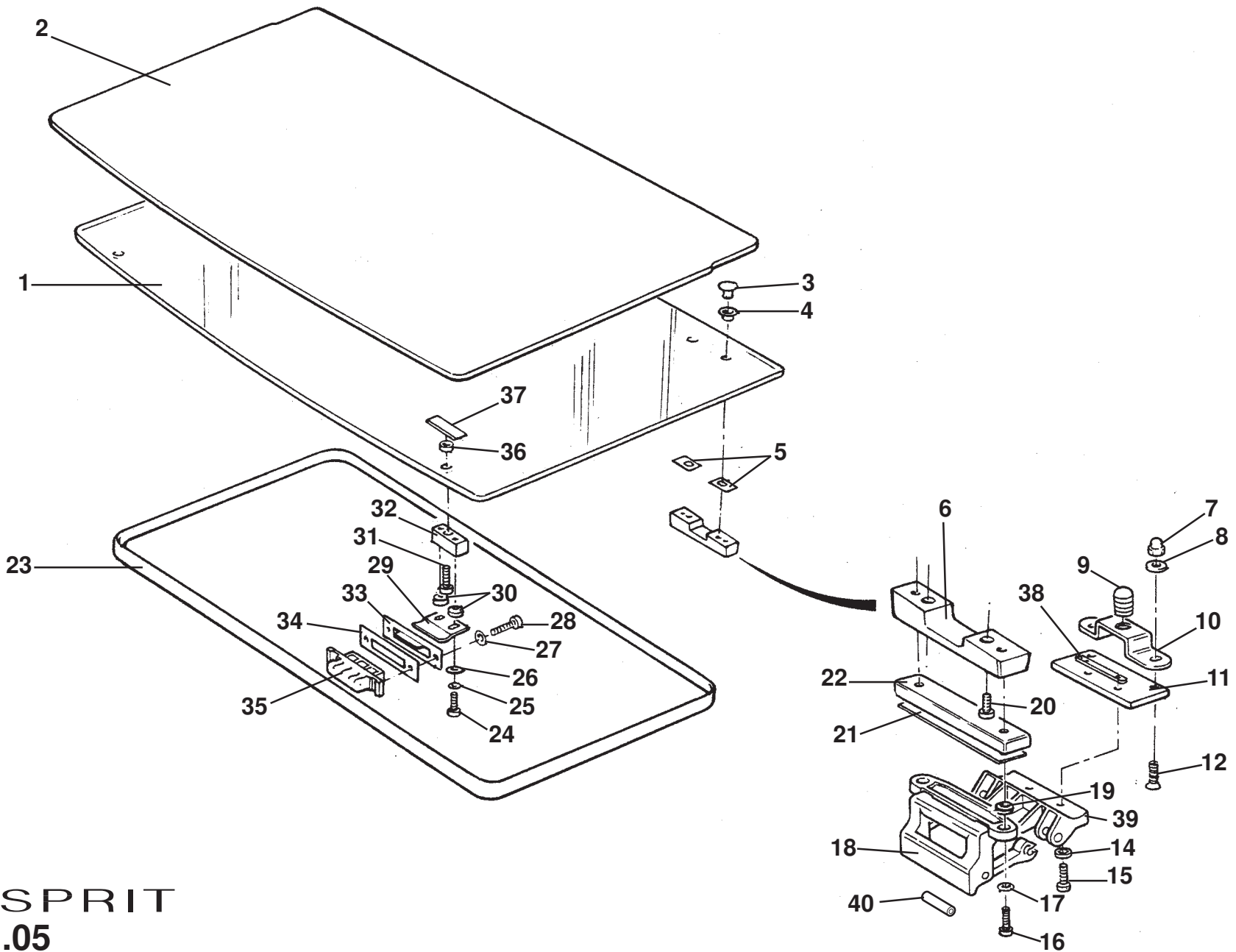
18



---

**Function Code 11.02 Door Window Lift Mechanism**

<u>Dep</u>	<u>Part Description</u>	<u>Remarks</u>	<u>Option</u>	<u>Part Number</u>	<u>Qty</u>
34	Finisher, door shell to frame rear, RH			A082U7016K	1
34a	Finisher, door shell to frame rear, LH			A082U7015K	1
35	Fillet, door seal path	Also see 11.01		A082U6195F	4
36	Setscrew, M5 x 16, frame to top rear of door			A075W1085F	4
37	Washer, flat, frame to top rear of door			A082W4098F	4
38	Rokut rivet, finisher to door shell rear			A100W6479F	4
39	Pop Rivet. finisher to door shell front			A075W7014K	6
40	Shim, window lifting channel	Not illustrated		A082U7626F	2
41	Tape, adhesive, lift channel shim	Not illustrated		A100B6142F	1m



**ESPRIT**  
**11.05**

*Updated 2nd February 2015*

# Service Parts List



## Function Code 11.05 Glass / Composite, Tilt Roof Panel

<u>Dep</u>	<u>Part Description</u>	<u>Remarks</u>	<u>Option</u>	<u>Part Number</u>	<u>Qty</u>
01	Glass Roof Panel	With obscuration band		B082U5799F	1
02	Composite Roof Panel	Includes headlining		B082B4670K	1
03	Cap Nut, plinth to glass roof			A082U6134F	4
04	Sealing Washer, cap nut			A082U6136F	4
04a	Neoprene Tube, fixings/roof isolation	Not illustrated		A082U6211K	25mm
05	Spacer, plinth to glass			A082U5865F	As req.
06	Plinth, handle to roof			A082U7091F	2
07	Dome Nut, M5, buffer bracket fixing			A082U3094F	4
08	Washer, M5, flat, buffer bracket fixing			A082W4107Z	4
09	Rubber Buffer, adjustable, roof abutment			A082U6163F	2
10	Bracket, rubber buffer			A082U7098F	2
11	Mounting Plate, latch bracket to body, LH			A082U7313F	1
11a	Mounting Plate, latch bracket to body, RH			A082U7312F	1
12	Screw, M5 x 25, csk. hd., bracket & tapping plate to body			A076W5087Z	4
13	Latch Bracket, handle assembly			B082U6161F	2
14	Washer, flat, latch bracket handle			A082W4107Z	4
15	Screw, 10 UNF x 1/2", latch bracket/ tapping plate			A075W5059Z	4
16	Screw, M5 x 30, hex.hd., handle assembly to plinth			A082W5142F	4

Function Code: 11.05, Page: 1

Updated 5th January 2015

**Function Code 11.05 Glass / Composite, Tilt Roof Panel**

<u>Dep</u>	<u>Part Description</u>	<u>Remarks</u>	<u>Option</u>	<u>Part Number</u>	<u>Qty</u>
17	Washer, flat, M5, handle assembly to plinth			A082W4109F	4
18	Handle Assembly 'Auroroof'			A082U6160F	2
19	Grommet, handle assembly to plinth			A082U6197F	4
20	Screw, 10 UNC x ½", plinth to glass roof			B082W5120F	4
21	Shim, 1mm, handle assembly to plinth			A082U7322F	As req.
21a	Shim, 3mm, handle assembly to plinth			A082U7322F	As req.
22	Spacer, handle assembly to plinth			B082U7138F	2
23	Weather Seal, glass panel to body		Glass panel	A082U6123F	3m
23a	Weather Seal, composite panel to body		Composite panel	A089U6055F	3m
24	Screw, 10 UNF x ½", tongue to glass roof			A075W5059Z	4
25	Washer, shakeproof, tongue to roof			A075W4045Z	4
26	Washer, flat, tongue to roof			A075W4000Z	4
27	Washer, flat, M5 x 12, recess to body (stainless)			A082W4129F	4
28	Screw, M5 x 25, slot recess to body (stainless)			A082W5185F	4
29	Tongue, roof front			A082U6101F	2
30	Rubber Washer, tongue to glass roof			A082W4115F	8
31	Screw, M5 x 10, tapping plate to plinth			A082W5097F	2
32	Plinth, tongue to glass roof			A082U4978F	2
33	Bracket, tongue anti-rattle			B082U5771F	2
34	Gasket, tongue pocket to body			A082U6099F	2
35	Tongue Pocket, LH			A082U6097F	1

18

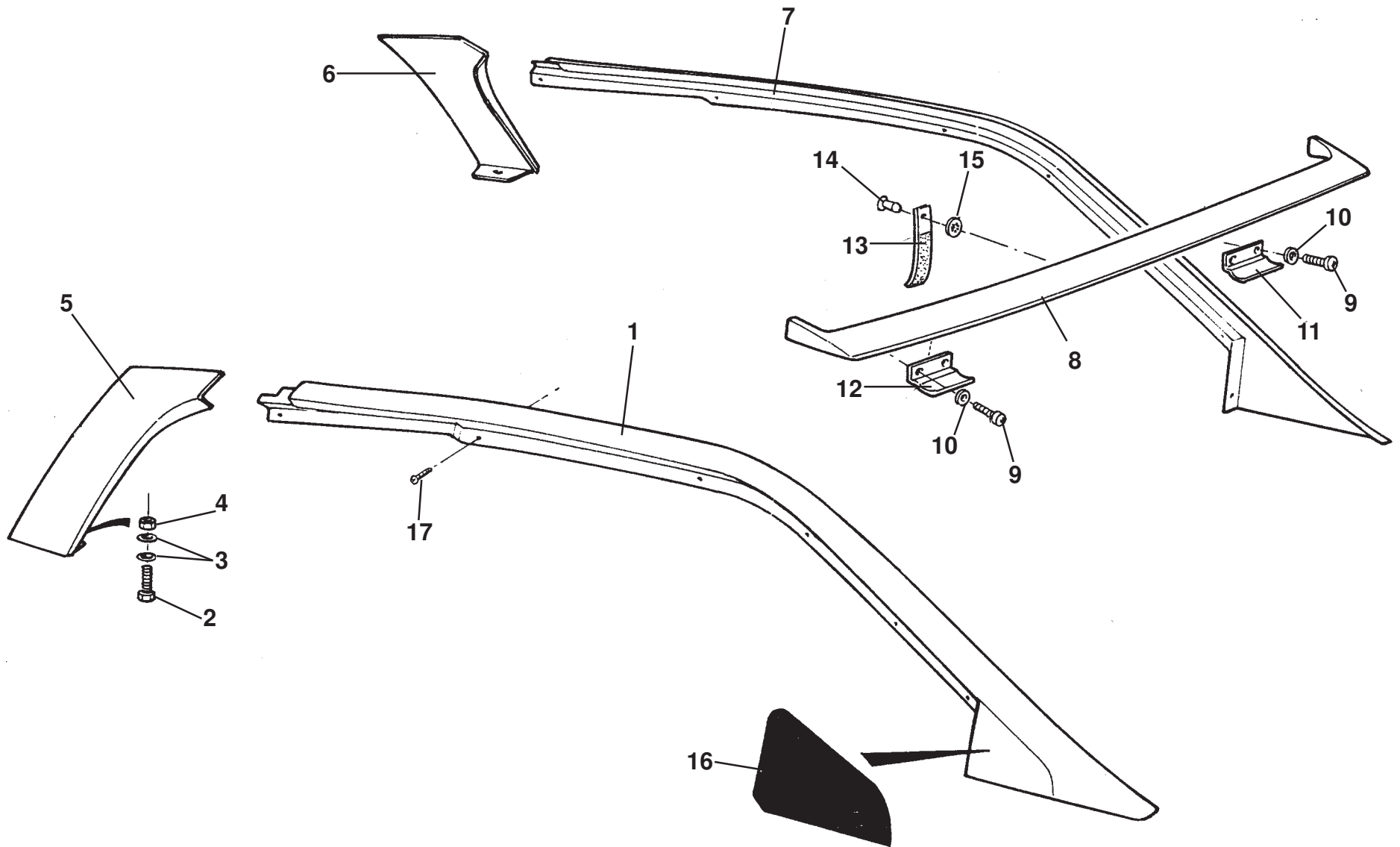
---

**Function Code 11.05 Glass / Composite, Tilt Roof Panel**

<u>Dep</u>	<u>Part Description</u>	<u>Remarks</u>	<u>Option</u>	<u>Part Number</u>	<u>Qty</u>
35a	Tongue Pocket, RH			A082U6098F	1
36	Sealing Ring, plinth to glass panel			A082U6103F	2
37	Tapping Plate, tongue to glass panel			A082U6100F	2
38	Tapping Bar, latch bracket to plate			A082U6200F	2
39	Latch Bracket, sunroof			B082U6161F	2
40	Spirol Pin, 5/32" x 7/8", handle pivots			A082W6351F	8

---

18



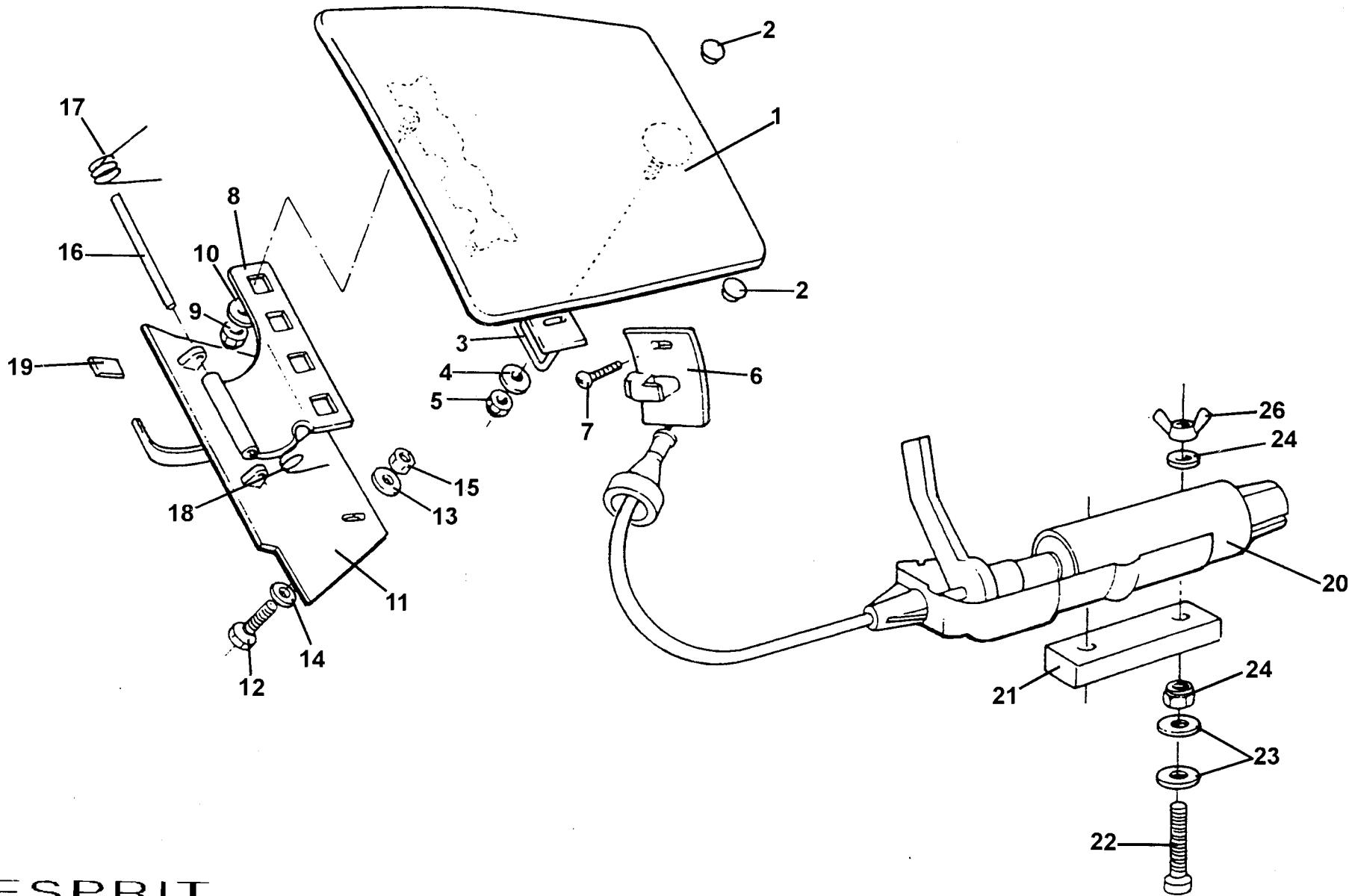
ESPRIT  
12.01a

*Updated 2nd February 2015*

---

**Function Code 12.01a Capping Rails, Air Scoops, Wind Deflector**

<u>Dep</u>	<u>Part Description</u>	<u>Remarks</u>	<u>Option</u>	<u>Part Number</u>	<u>Qty</u>
01	Capping Rail, RH			A082B6220K	1
02	Bolt, M5 x 40, hex. hd., scoop lower fix			A079W2033F	2
03	Washer, flat, M5 scoop lower fix			A075W4000Z	4
04	Nut, nyloc, M5, scoop lower fix			A075W3008Z	2
05	Air Scoop, engine bay air intake, RH			A082B6223K	1
06	Air Scoop, engine bay air intake, LH			A082B6222K	1
07	Capping Rail, LH			A082B6221K	1
08	Wind Deflector, roof aperture			A082B4869K	1
09	Screw, 10 UNF, pan hd. pozi., tongue to deflector			A075W5059Z	4
10	Washer, tongue to deflector			A075W4000Z	4
11	Retaining Tongue, LH, wind deflector			C082U4985F	1
12	Retaining Tongue, RH, wind deflector			C082U4986F	1
13	Strap, deflector retaining			A082V7299J	1
14	Pop Rivet, strap to deflector			A079W6195F	1
15	Spring Clip, strap rivet			A075W6173F	1
16	Blackout Film, capping rail, RH			A082B5064K	1
16a	Blackout Film, capping rail, LH			A082B5065K	1
17	Screw, No. 6 x 1¼", capping rail to body			B082W5023F	12



ESPRIT  
12.02a



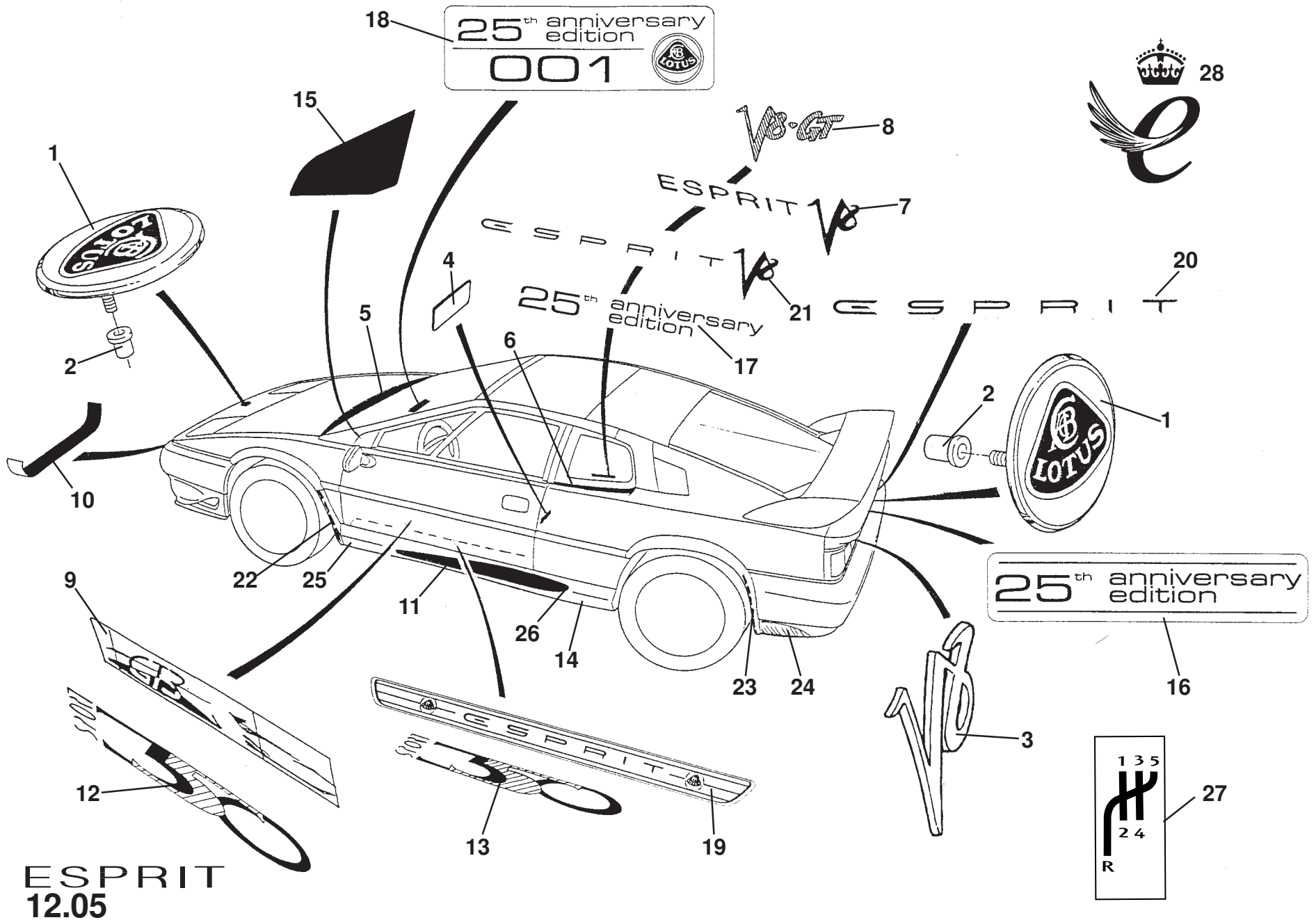
**Function Code 12.02a Fuel Filler Flaps & Mechanisms**

<u>Dep</u>	<u>Part Description</u>	<u>Remarks</u>	<u>Option</u>	<u>Part Number</u>	<u>Qty</u>
01	Fuel Filler Flap, LH			<b>B082B4673K</b>	1
01a	Fuel Filler Flap, RH	Bonded closed, single filler (LH) '98 MY on		<b>B082B4672K</b>	1
02	Buffer, flap closure stop			<b>A075U6050F</b>	4
03	Striker, fuel filler flap		LH only, '98 MY on	<b>A082U5814F</b>	2
04	Washer, flat, M5, striker to flap		LH only, '98 MY on	<b>A075W4000Z</b>	2
05	Nut, nyloc, M5, striker to flap		LH only, '98 MY on	<b>A075W3008Z</b>	2
06	Latch assembly, flap release		LH only, '98 MY on	<b>A082U6122F</b>	2
07	Screw, No.6 x 1/2", latch to body		LH only, '98 MY on	<b>A089W5138F</b>	2
08	Hinge, fuel filler flap, LH			<b>B082B4695F</b>	1
08a	Hinge, fuel filler flap, RH			<b>B082B4694F</b>	1
09	Nut, nyloc, M5, hinge to flap			<b>A075W3008Z</b>	4
10	Washer, flat, M5, hinge to flap			<b>A075W4000Z</b>	4
11	Bracket, hinge to body, LH			<b>B082B4691F</b>	1
11a	Bracket, hinge to body, RH			<b>B082B4692F</b>	1
12	Setscrew, M6 x 20, hex. hd., hinge to body			<b>A075W1030Z</b>	4
13	Washer, spacer, M6 x 20, hinge to body			<b>A075W4016Z</b>	4
14	Washer, flat, M6 x 12, hinge to body			<b>A075W4013Z</b>	4
15	Nut, nyloc, M6, hinge to body			<b>A075W3069Z</b>	4
16	Spirol pin, flap hinge			<b>B082B6111F</b>	2
17	Hairpin Spring, fuel flap hinge, upper			<b>A082U6144F</b>	2

---

**Function Code 12.02a Fuel Filler Flaps & Mechanisms**

<u>Dep</u>	<u>Part Description</u>	<u>Remarks</u>	<u>Option</u>	<u>Part Number</u>	<u>Qty</u>
18	Hairpin Spring, fuel flap hinge, lower			<b>A082U6133F</b>	2
19	Buffer, flap open stop			<b>A082U7052K</b>	4
20	Solenoid, fuel filler flap release		LH only, '98 MY on	<b>A082M6395F</b>	2
21	Spacer, solenoid to body		LH only, '98 MY on	<b>A082L4163F</b>	2
22	Screw, M6 x 30, cap hd., solenoid fixing		LH only, '98 MY on	<b>A075W5091Z</b>	4
23	Washer, flat, M6 x 15, solenoid fixing		LH only, '98 MY on	<b>A075W4015Z</b>	8
24	Nyloc Nut, M6, solenoid fixing		LH only, '98 MY on	<b>A075W3009Z</b>	4
25	Washer, shakeproof, solenoid fixing		LH only, '98 MY on	<b>A075W4046Z</b>	4
26	Wing Nut, M6, solenoid fixing		LH only, '98 MY on	<b>A075W3033Z</b>	4



ESPRIT  
12.05

# Service Parts List



## Function Code 12.05 Decals, Badges & Protective Film

<u>Dep</u>	<u>Part Description</u>	<u>Remarks</u>	<u>Option</u>	<u>Part Number</u>	<u>Qty</u>
01	Badge, Lotus logo	Nose/rear license plate plinth		A089U1816F	2
02	Rawlnut, M5, badge fixing			A075W6074F	4
03	Badge, V8, rear license plate plinth		V8, V8 GT, Sport 350	B082U7744F	1
04	Body tape, joint finisher	Fitted prior to paint		On request	As req.
05	Blackout Film, bonnet rear edge			A082B5063K	1
06	Blackout Film, below quarter window, LH			A082B5417K	1
06a	Blackout Film, below quarter window, LH		'Final Edition'	A082B5565K	1
06b	Blackout Film, below quarter window, RH			A082B5416K	1
06c	Blackout Film, below quarter window, RH		'Final Edition'	A082B5564K	1
07	Decal, Esprit V8, quarter window		V8, V8 GT	A082B5341F	2
07a	Decal, Esprit, quarter window	As V8, cut off V8 logo	GT3, Sport 350	A082B5341F	2
07b	Decal, Esprit, etched finish, quarter window		'Final Edition'	A082B5573F	2
08	Decal, V8 GT, quarter window		V8 GT	A082B5455F	2
09	Decal Set, body side GT3, grey, LH		GT3	A082U7837F	1
09a	Decal Set, body side GT3, grey, RH		GT3	A082U7838F	1
10	Blue Decal Tape, radiator intake		Sport 350	A082B5499F	1
11	Blue Decal Tape, sill duct, LH		Sport 350	A082B5497F	1
11a	Blue Decal Tape, sill duct, RH		Sport 350	A082B5498F	1

Function Code: 12.05, Page: 1

Updated 6th February 2013

**Function Code 12.05 Decals, Badges & Protective Film**

<u>Dep</u>	<u>Part Description</u>	<u>Remarks</u>	<u>Option</u>	<u>Part Number</u>	<u>Qty</u>
12	Decal, Sport 350, doors		Sport 350	A082B5495F	2
13	Decal, Sport 350, sill treadplates		Sport 350	A082B5496F	2
14	Film, sill protection, LH		Sport 350	A082B5513K	1
14a	Film, sill protection, RH		Sport 350	A082B5512K	1
15	Blackout Film, 'A' pillar cheater panel, LH			A082B5065K	1
15a	Blackout Film, 'A' pillar cheater panel, RH			A082B5064K	1
16	Badge, special edition, rear transom	25th Anniversary Edition	2002 MY, USA	A082B5559F	1
17	Decal, special edition, quarter window	25th Anniversary Edition	2002 MY, USA	A082B5555F	2
18	Serial Plate, special edition, fascia	25th Anniversary Edition	2002 MY, USA	A082U7984F	1
18a	Retainer, serial plate	Not illustrated	2002 MY, USA	A075W6173F	2
19	Sill Tread Plate, Esprit, LH		2002 MY, non USA	A082U7981F	1
19a	Sill Tread Plate, Esprit, RH		2002 MY, non USA	A082U7982F	1
19b	Sill Tread Plate, Special Edition, LH	25th Anniversary Edition	2002 MY, USA	A082U7979F	1
19c	Sill Tread Plate, Special Edition, RH	25th Anniversary Edition	2002 MY, USA	A082U7980F	1
20	Decal, Esprit, transom spoiler		2002 MY	A082B5558F	1
21	Decal, Esprit V8, quarter window		2002 MY	A082B5560F	2
22	Film, blackout, front wheelarch protection, LH			A082U7743K	1
22a	Film, blackout, front wheelarch protection, RH			A082U7742K	1
23	Film, blackout, rear wheelarch protection, LH			A082U7711K	1
23a	Film, blackout, rear wheelarch protection, RH			A082U7710K	1
24	Film, rear bumper protection, LH			A082U7851K	1

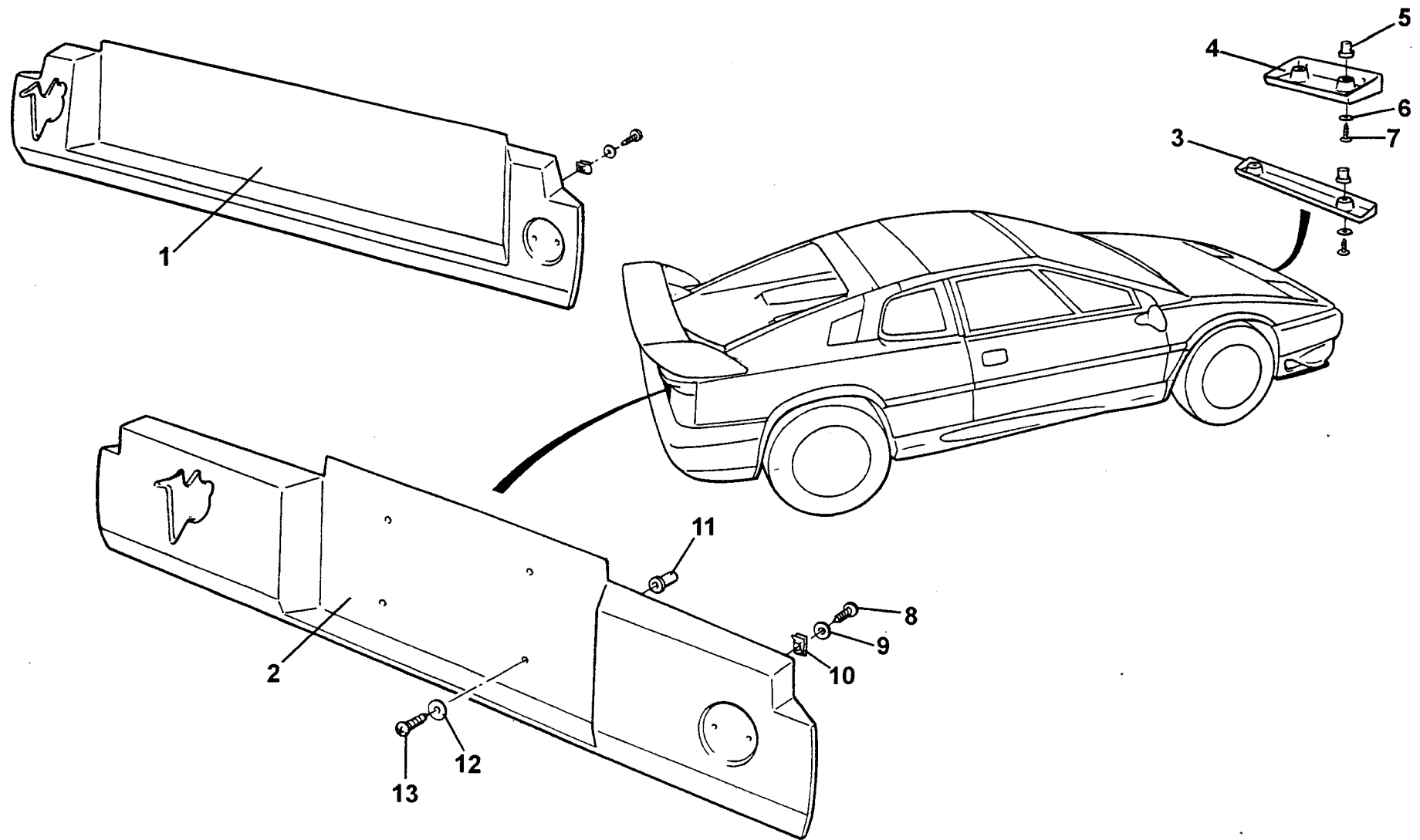
18

---

**Function Code 12.05 Decals, Badges & Protective Film**

<u>Dep</u>	<u>Part Description</u>	<u>Remarks</u>	<u>Option</u>	<u>Part Number</u>	<u>Qty</u>
24a	Film, rear bumper protection, RH			<b>A082U7850K</b>	1
25	Film, sill protection. front, LH			<b>A082B5165K</b>	1
25a	Film, sill protection. front, RH			<b>A082B5166K</b>	1
26	Film, sill intake protection, LH			<b>A082B5061K</b>	1
26a	Film, sill intake protection, RH			<b>A082B5062K</b>	1
27	Decal, gearshift pattern, graphite	On gear lever tray (alloy knob),	GT3 '98 MY, V8 GT, Sport 350, USA V8 '99 MY	<b>A082U7848F</b>	1
27a	Decal, gearshift pattern, silver	Not illus., on gear lever tray (alloy knob),	GT3 '98 MY, V8 GT, USA V8 '99 MY	<b>A082U7849F</b>	1
28	Decal, Jubilee	On LH fuel filler door	2002 cars	<b>A117B0501F</b>	1
29	Plaque, engine ID, builder signature, Jason Lane	Not illus., on engine plenum*	'Final Edition'	<b>A918E0401F</b>	1
29a	Plaque, engine ID, builder signature, Gary Towers	Not illus., on engine plenum*	'Final Edition'	<b>A918E0402F</b>	1
		*VIN must be quoted with order			

---

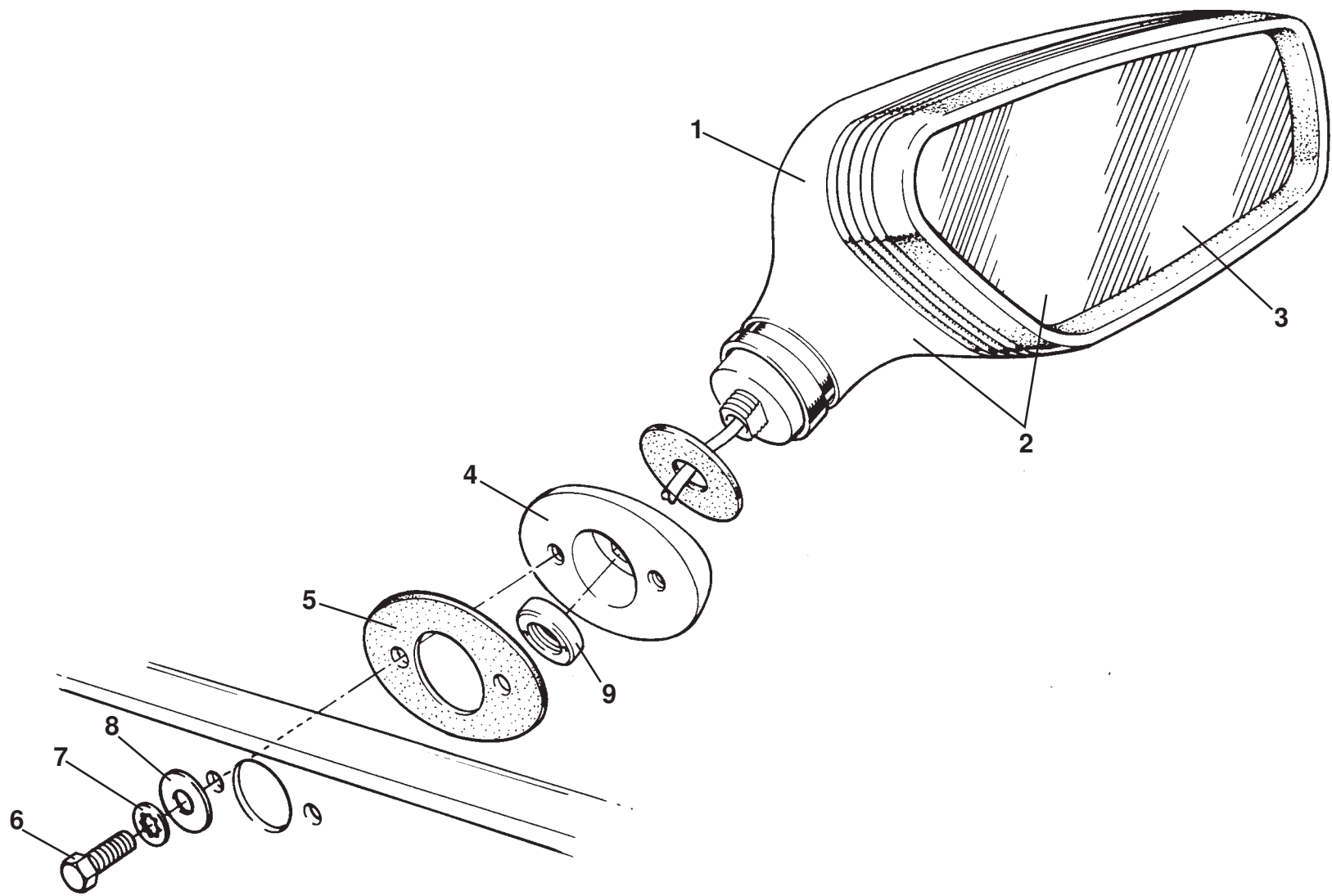


ESPRIT  
12.07

**Function Code 12.07 Licence Plate Mountings**

<u>Dep</u>	<u>Part Description</u>	<u>Remarks</u>	<u>Option</u>	<u>Part Number</u>	<u>Qty</u>
01	Licence Plate Plinth, rear	Recess for V8 badge, rectangular license plate	V8, V8-GT	<b>A082B5381J</b>	1
01a	Licence Plate Plinth, rear	Rectangular licence plate	GT3	<b>P691.1207.001AJ</b>	1
02	Licence Plate Plinth, rear	Recess for V8 badge, square license plate	V8, V8GT, USA	<b>A082B5380J</b>	1
03	Licence Plate Plinth, front	Rectangular license plate	V8, V8GT, GT3	<b>A082B5080K</b>	1
04	Licence Plate Plinth, front	Square license plate	V8, V8GT, USA	<b>A082B5188J</b>	1
05	Jacknut, M6			<b>A075W3034Z</b>	2
06	Washer, flat, M6 x 12.1			<b>A075W4013Z</b>	2
07	Screw, M6 x 16, pan hd. pozi.			<b>A076W5090F</b>	2
08	Screw, M6 x 25, pan hd. pozi.			<b>A075W5089Z</b>	4
09	Washer, flat, M6 x 12.1			<b>A075W4013Z</b>	4
10	Spire Nut, No. 6			<b>A079W6024F</b>	4
11	Pulsert, M6, license plate to plinth	Also on transom panel, 2002 MY	V8, V8GT, USA	<b>A079W6191F</b>	4
12	Washer, flat, M6 x 18 x 1, license plate to plinth	Also on transom panel, 2002 MY	V8, V8GT, USA	<b>B082W4018F</b>	4
13	Screw, M6 x 25, pan pozi, Zn, license plate to plinth	Also on transom panel, 2002 MY	V8, V8GT, USA	<b>A075W50879Z</b>	4

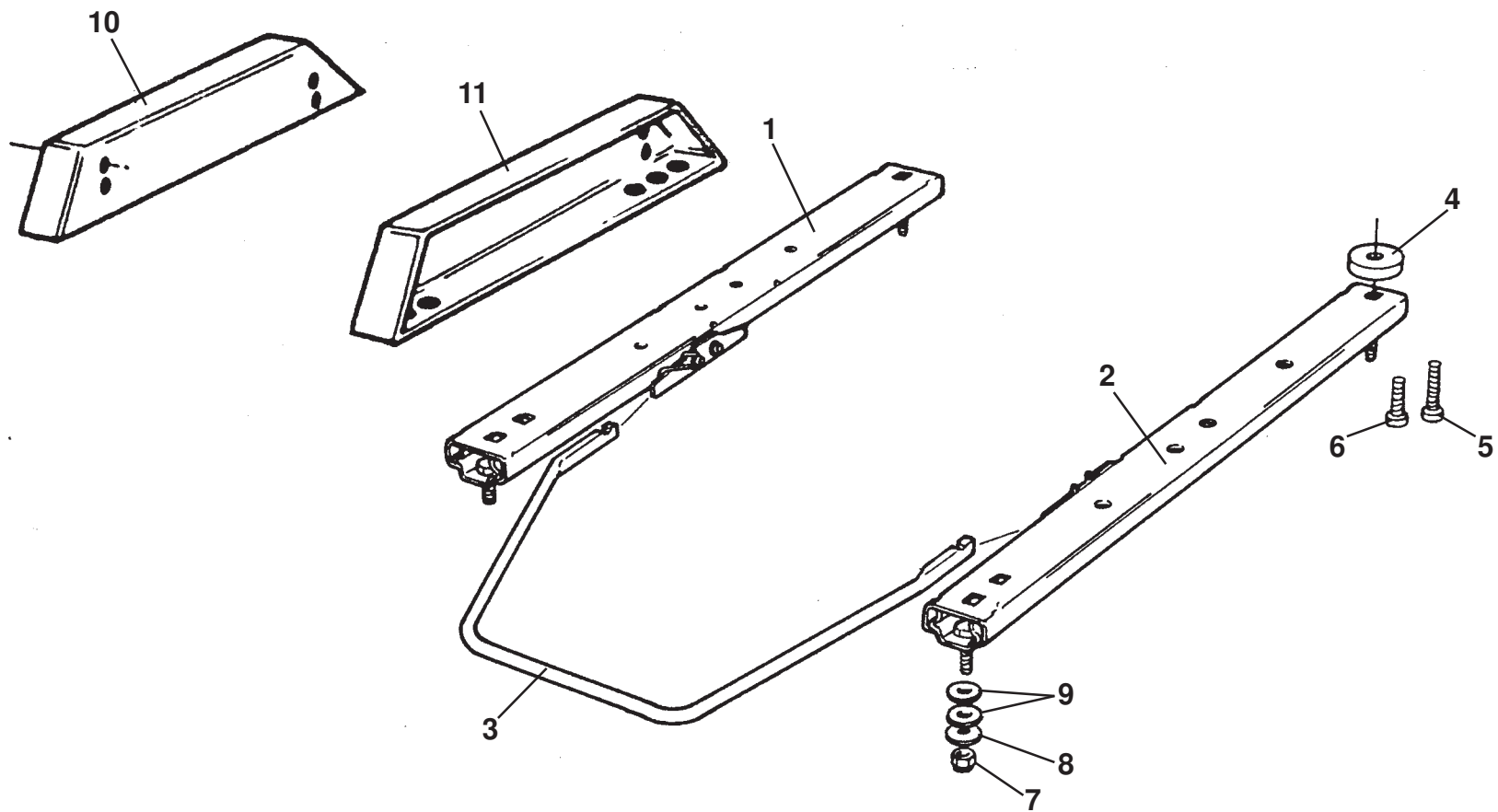




ESPRIT  
12.09

**Function Code 12.09 Exterior Driving Mirrors**

<u>Dep</u>	<u>Part Description</u>	<u>Remarks</u>	<u>Option</u>	<u>Part Number</u>	<u>Qty</u>
01	Mirror Housing, RH			A082M6400F	1
01a	Mirror Housing, LH			A082M6399F	1
02	Door Mirror Assembly, convex glass, RH		Except USA/Australia	A082M6402J	1
02a	Door Mirror Assembly, etched glass, RH		USA	A082M6403J	1
02b	Door Mirror Assembly, flat glass, RH		Australia	A082M6404J	1
02c	Door Mirror Assembly, convex glass, LH		Except USA/Australia	A082M6401J	1
02d	Door Mirror Assembly, flat glass, LH		USA/Australia	A082M6405J	1
03	Glass/Carrier Assembly, convex glass, RH		Except USA/Australia	A082M6414J	1
03a	Glass/Carrier Assembly, etched glass, RH		USA	A082M6413J	1
03b	Glass/Carrier Assembly, flat glass, RH		Australia	A082M6398J	1
03c	Glass/Carrier Assembly, convex glass, LH		Except USA/Australia	A082M6415J	1
03d	Glass/Carrier Assembly, flat glass, LH		USA/Australia	A082M6397J	1
04	Mounting Plinth, mirror to door			A082U7113J	2
05	Gasket, plinth to door			A082U7123F	2
06	Setscrew, M6 x 25 hex. hd.,mirror to door			A075W1031F	4
07	Washer, spring, M6			A075W4035Z	4
08	Washer, flat, M6			A075W4016Z	4
09	Nut, special, mirror to plinth			A082U7115F	2



ESPRIT  
13.01

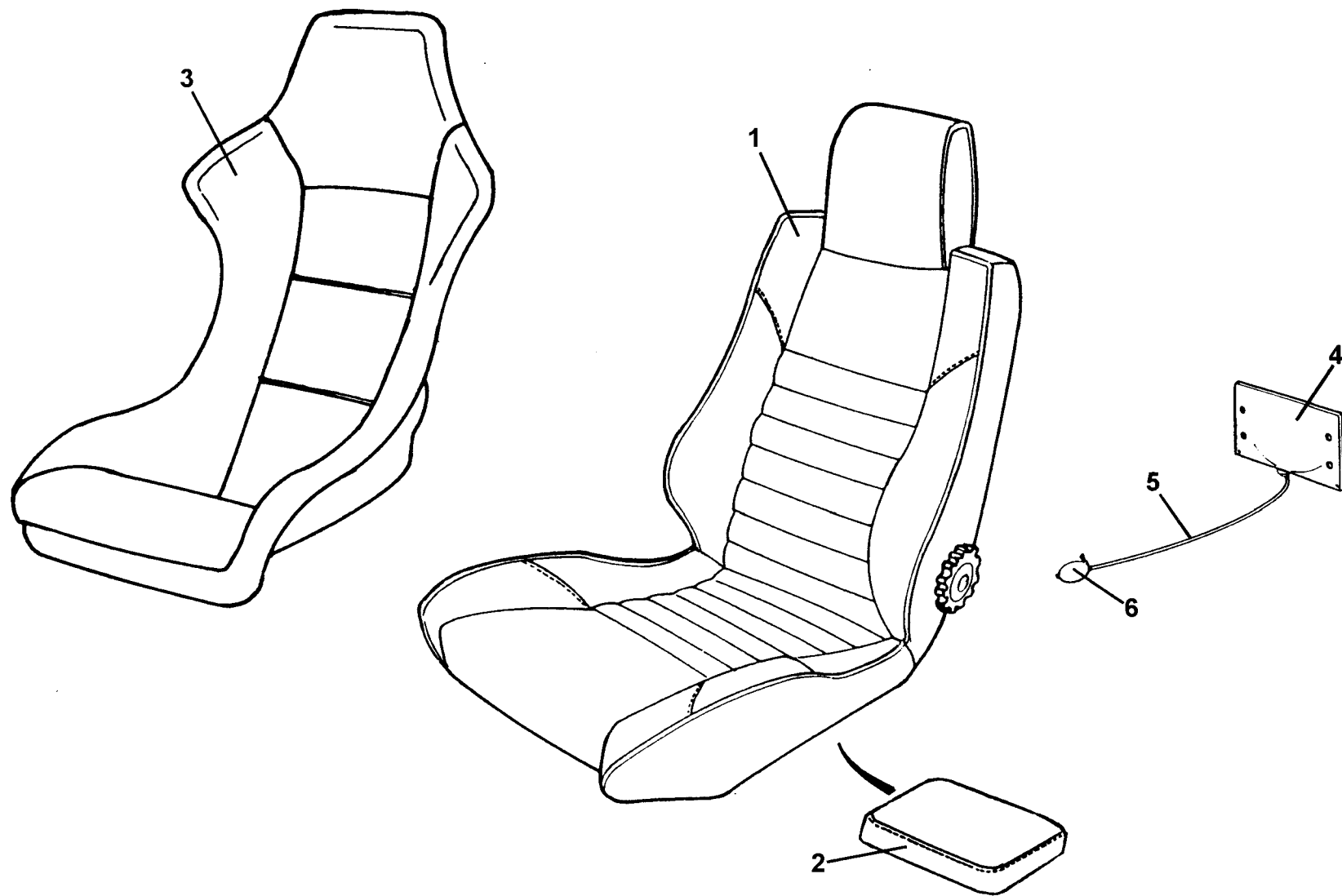
# Service Parts List



## Function Code 13.01 Seat Runners

<u>Dep</u>	<u>Part Description</u>	<u>Remarks</u>	<u>Option</u>	<u>Part Number</u>	<u>Qty</u>
01	Seat Runner, RH		V8, Sport 350	<b>B089V3572K</b>	2
02	Seat Runner, LH		V8, Sport 350	<b>B089V3571K</b>	2
03	Lift Bar, slide release		V8, Sport 350	<b>C082V6183F</b>	2
04	Spacer, 12mm, runner to seat frame		V8, Sport 350	<b>A082U5100F</b>	8
05	Setscrew, M8 x 30, hex. hd., runner to seat frame	Used with 12mm spacers	V8, Sport 350	<b>A075W9007F</b>	8
06	Setscrew, M8 x 16, hex.hd., runner to seat frame	Used without spacers	V8, Sport 350	<b>A075W9006F</b>	8
07	Nyloc Nut, M8, runners to floor		V8, Sport 350	<b>A075W3010Z</b>	8
08	Washer, flat, M8 x 25		V8, Sport 350	<b>A075W4021Z</b>	8
09	Washer. flat, M8 x 30		V8, Sport 350	<b>A126W4208F</b>	16
10	Mounting Plinth, sports seat, RH		V8 GT, GT3	<b>P6911301006AF</b>	2
11	Mounting Plinth, sports seat, LH		V8 GT, GT3	<b>P6911301008AF</b>	2





ESPRIT  
13.02

# Service Parts List



## Function Code 13.02 Seat Assemblies, front

<u>Dep</u>	<u>Part Description</u>	<u>Remarks</u>	<u>Option</u>	<u>Part Number</u>	<u>Qty</u>
01	Seat Assembly, LH		V8	<b>B082V8671J*</b>	1
01a	Seat Assembly, RH		V8	<b>B082V8672J*</b>	1
01b	Seat Assembly, LH		Sport 350	<b>A082V9095J</b>	1
01c	Seat Assembly, RH		Sport 350	<b>A082V9096J</b>	1
01d	Seat Assembly, driver, long backrest, RHD	With rake adjustment	V8, UK, 2002 MY	<b>A082V9138J*</b>	1
01e	Seat Assembly, driver, long backrest, LHD	With rake adjustment	V8, Europe, 2002 MY	<b>A082V9139J*</b>	1
01f	Seat Assembly, passenger, long backrest, RHD	Without rake adjustment	V8, UK, 2002 MY	<b>A082V9140J*</b>	1
01g	Seat Assembly, passenger, long backrest, LHD	Without rake adjustment	V8, Europe, 2002 MY	<b>A082V9141J*</b>	1
01h	Seat Assembly, driver, short backrest, LHD	With rake adjustment	V8, USA, 2002 MY	<b>A082V9142J*</b>	1
01i	Seat Assembly, passenger, short backrest, LHD	Without rake adjustment	V8, USA, 2002 MY	<b>A082V9143J*</b>	1
01j	Seat Assembly, passenger, short backrest, LHD	With rake adjustment	V8, USA, VIN: 10543 on	<b>A082V6065F*</b>	1
02	Bolster cushion		V8, Sport 350	<b>A082V8688J</b>	2
03	Sports Seat Assembly, LH		V8-GT, GT3	<b>A082V9093J</b>	1
03a	Sports Seat Assembly, RH		V8-GT, GT3	<b>A082V9094J</b>	1
04	Lumbar Support		V8, Sport 350	<b>A089V6141F</b>	2
05	Tubing, pump to lumbar support		V8, Sport 350	<b>A089V4331F</b>	2
06	Pump & Valve, lumbar support		V8, Sport 350	<b>A089V6142F</b>	2
07	Seat Cover Assembly, short back	Not illustrated	V8	<b>B082V8572J*</b>	2



---

**Function Code 13.02 Seat Assemblies, front**

<u>Dep</u>	<u>Part Description</u>	<u>Remarks</u>	<u>Option</u>	<u>Part Number</u>	<u>Qty</u>
07a	Seat Cover Assembly, long back	Not illustrated	V8, Euro 2002 MY	<b>A082V8714J*</b>	2
07b	Seat Cover Assembly, short back, final edition	Not illustrated	'Final Edition'	<b>C082V8572J*</b>	2

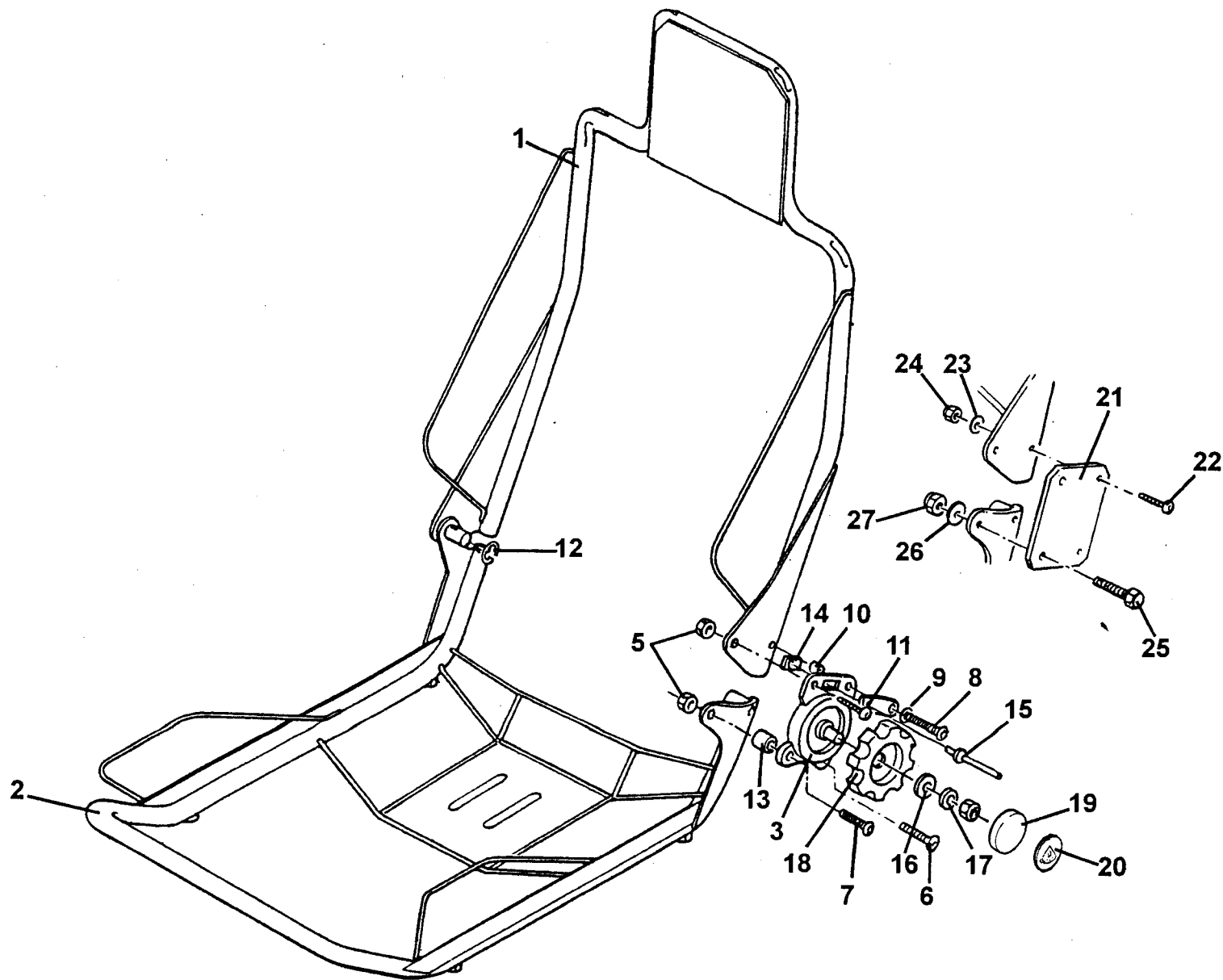
---

\*Specify colour/supply sample/  
VIN

---

---

18



ESPRIT  
13.03



# Service Parts List



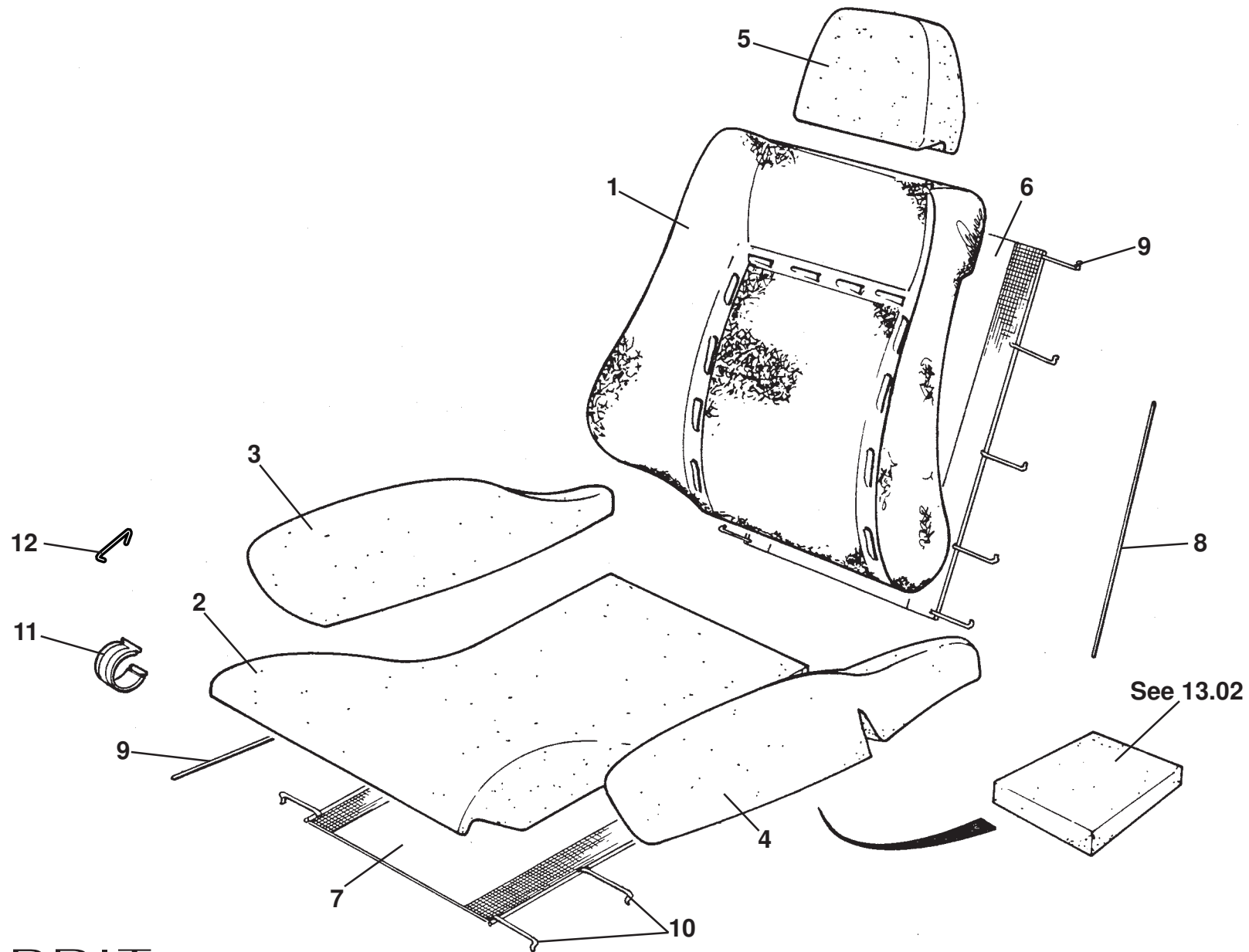
## Function Code 13.03 Seat Frames & Recline Mechanisms

<u>Dep</u>	<u>Part Description</u>	<u>Remarks</u>	<u>Option</u>	<u>Part Number</u>	<u>Qty</u>
01	Seat Frame, backrest, short, LH		V8, USA; Europe prior '02 MY	A082V6181F	1
01a	Seat Frame, backrest, short, RH		V8, USA; Europe prior '02 MY	A082V6182F	1
01b	Seat Frame, backrest, long, LH	Taller head restraint	V8, Europe, 2002 MY	A082V9107F	1
01c	Seat Frame, backrest, long, RH	Taller head restraint	V8, Europe, 2002 MY	A082V9106F	1
01d	Seat Frame, backrest, LH	Larger side frame extensions	Sport 350	A082V9089F	1
01e	Seat Frame, backrest, RH	Larger side frame extensions	Sport 350	A082V9088F	1
02	Seat Frame, cushion, LH		V8	A082V6179F	1
02a	Seat Frame, cushion, RH		V8	A082V6180F	1
02b	Seat Frame, cushion, LH	Larger side frame extensions	Sport 350	A082V9091F	1
02c	Seat Frame, cushion, RH	Larger side frame extensions	Sport 350	A082V9090F	1
03	Seat Reclining Mechanism, RH		V8	A083V6065F	1
03a	Seat Reclining Mechanism, LH		V8	A083V6066F	1
04	Spring, anti-rattle	Not illustrated	V8	A083V6091V	2
05	Nyloc Nut, M8		V8	A075W3010Z	8
06	Screw, M8 x 55, button hd., recline mech. fix.		V8	B082W7051F	2
07	Screw, M8 x 30, button hd., recline mech. fix.		V8	A082W7050F	2
08	Screw, M8 x 50, button hd., latch pivot		V8	A082W7060F	2
09	Washer, flat, M8 x 16		V8	A075W4020Z	2



**Function Code 13.03 Seat Frames & Recline Mechanisms**

<u>Dep</u>	<u>Part Description</u>	<u>Remarks</u>	<u>Option</u>	<u>Part Number</u>	<u>Qty</u>
10	Nylon Insert, latch pivot		V8	A082W4100F	2
11	Screw, M8 x 25, button hd., recline mech. fix,		V8 A082W7062F R/B	A111W7115F	2
12	Clip, idler pivot		V8	A082V6153F	2
13	Spacer		V8	A082V5921F	4
14	Locking Plate, tilt pawl		V8	A082V5923F	2
15	Pop Rivet, locking plate fix.		V8	A075W6087Z	2
16	Washer, drive plate clamp		V8	A089U6066F	2
17	Washer. recline mechanism shaft		V8	A089U6065F	2
18	Handwheel, seat recline		V8	A083V6067F	2
19	Trim, handwheel centre		V8	A082U6330F	2
20	Lotus Badge, handwheel centre		V8	A089U1813F	2
21	Plate, cushion frame to backrest frame	Passenger only	V8, fixed backrest, '02 MY	A082V9105F	1
22	Screw, M8 x 50, button hd., plate to frames	Passenger only	V8, fixed backrest, '02 MY	A082W7060F	2
23	Washer, flat, M8, plate to frames	Passenger only	V8, fixed backrest, '02 MY	A075W4020Z	2
24	Nyloc Nut, M8, plate to frames	Passenger only	V8, fixed backrest, '02 MY	A075W3010Z	2
25	Screw, M10 x 25, hex. hd., plate to frames	Passenger only	V8, fixed backrest, '02 MY	A111W1157F	2
26	Washer, flat, M10, plate to frames	Passenger only	V8, fixed backrest, '02 MY	A075W4023F	2
27	Nyloc Nut. M10, plate to frames	Passenger only	V8, fixed backrest, '02 MY	A075W3011Z	2



**ESPRIT**  
**13.09**

*Updated 6th February 2013*

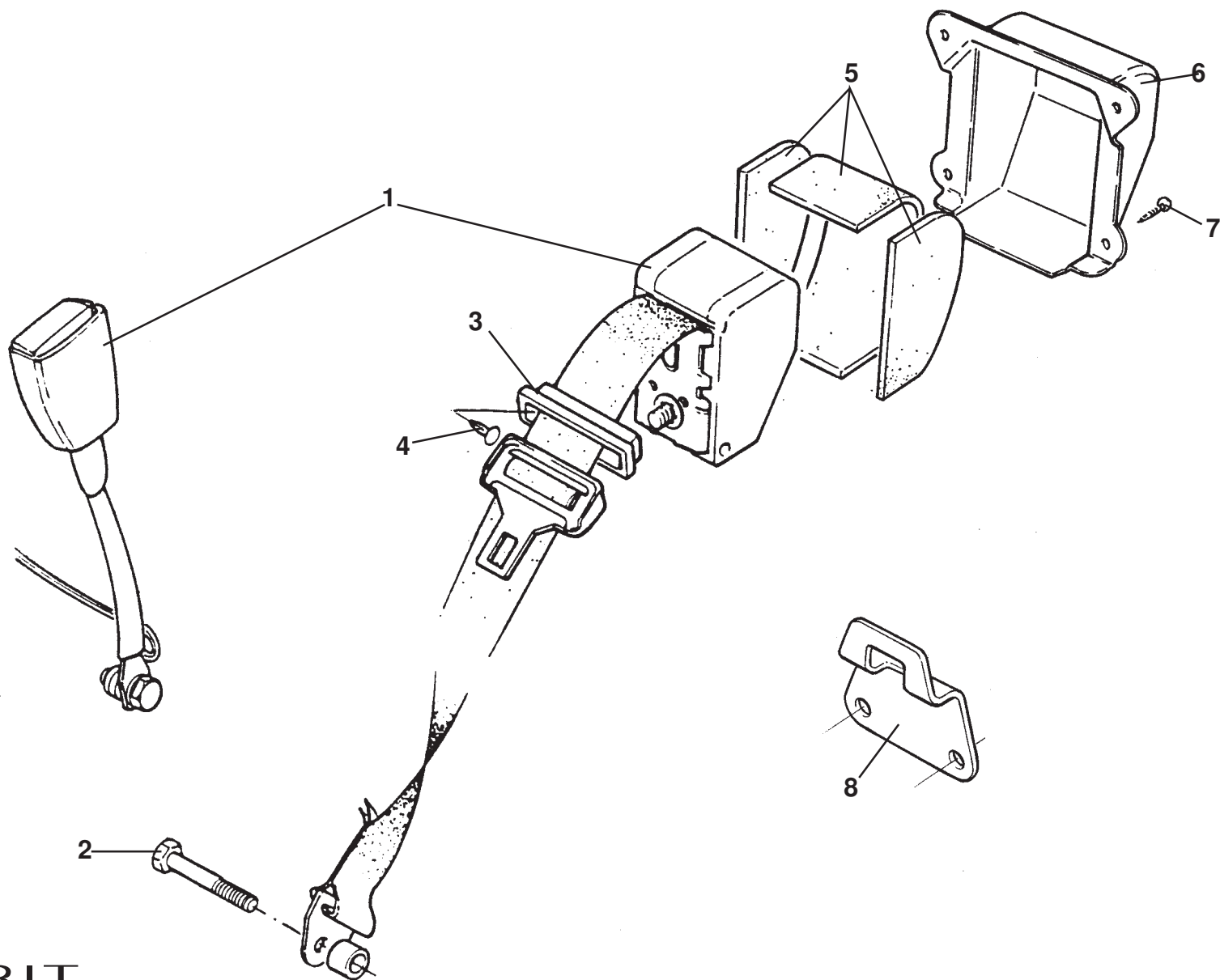
# Service Parts List



## Function Code 13.09 Seat Foams & Suspension

<u>Dep</u>	<u>Part Description</u>	<u>Remarks</u>	<u>Option</u>	<u>Part Number</u>	<u>Qty</u>
01	Backrest		V8	A082V8028F	2
02	Cushion Foam		V8	A082V8098K	2
03	Side Support Foam, RH		V8	A082V8100K	2
04	Side Support Foam, LH		V8	A082V8099K	2
05	Head Restraint Foam, short		V8	A082V8033K	2
06	Suspension Unit, backrest, 520mm		V8	A082V6186F	2
07	Suspension Unit, cushion, 490mm		V8	A082V6185F	2
08	Flexolator, backrest		V8	A082V4782F	4
09	Flexolator, cushion		V8	A082V4783F	4
10	Hook, suspension unit to frame		V8	A082U6299F	8
11	Tube Clip, trim to frame		V8	B079W6120F	110
12	Hogring		V8	A075W6076Z	80





ESPRIT  
13.27

---

**Function Code 13.27 Seat Belts**

<u>Dep</u>	<u>Part Description</u>	<u>Remarks</u>	<u>Option</u>	<u>Part Number</u>	<u>Qty</u>
01	Seat Belt Assembly		Europe/Australia	<b>C082V7972F</b>	2
01a	Seat Belt Assembly		USA, driver	<b>B085V7166F</b>	1
01b	Seat Belt Assembly		USA, passenger	<b>A082V6222F</b>	1
02	Bolt, 7/16 UNF x 3.25"			<b>B079W2018F</b>	2
03	Bulkhead Finisher, seatbelt through bulkhead	Also see 15.11a		<b>B075V06012K</b>	2
04	Plastic Fastener, finisher fix.	Also see 15.11a		<b>A075W6041Z</b>	2
05	Foam Set, sound insulation, reel cover			<b>A083V6104V</b>	2
06	Reel Cover, engine bay			<b>A082U4740K</b>	2
07	Screw, No.6 x 1/2", cover fix.			<b>A075W5015Z</b>	8
08	Bracket, tether strap mounting	Child seat restraint, upper	USA	<b>A082V9098F</b>	1



# Service Parts List



## Function Code 14.01 Pedal Box, Pedals, Throttle Control

<u>Dep</u>	<u>Part Description</u>	<u>Remarks</u>	<u>Option</u>	<u>Part Number</u>	<u>Qty</u>
01	Pedal Box		V8, '98 MY, V8GT, Sport 350	B082J4355F	1
01a	Pedal Box		V8, prior '98 MY, GT3	C082J4315F	1
02	Throttle Pedal, LHD			A082J4304F	1
02a	Throttle Pedal, RHD			B082J4303F	1
03	Brake Pedal			A082J4410F	1
04	Clutch Pedal		V8, V8GT, Sport 350	A082Q4050F	1
05	Clutch Pedal		GT3	B082J4316F	1
06	Throttle Cable	Common	V8, V8GT, Sport 350	A082J4398F	1
07	Throttle Cable, LHD		GT3	C082J4161F	1
08	Lever Arm, throttle linkage, RHD			B082J4190F	1
09	Shaft, brake & clutch pedal pivot			B079J4003F	1
10	Footrest/Cable Abutment, RHD			A082U7795F	1
11	Studplate, footrest to tunnel			A082U7435F	1
12	Nyloc Nut, M8			A075W3010Z	2
13	Rubber Edging, footrest			A085U6080V	As req.
14	Footrest Pad, rubber, RHD			A082U7972S	1
14a	Footrest Pad, drilled alloy		Sport 350	P691.1401.010AK	1
15	Throttle Cable, RHD		GT3	A082J4309F	1

Function Code: 14.01, Page: 1

Updated 5th January 2015



**Function Code 14.01 Pedal Box, Pedals, Throttle Control**

<u>Dep</u>	<u>Part Description</u>	<u>Remarks</u>	<u>Option</u>	<u>Part Number</u>	<u>Qty</u>
16	'R' Clip, cable clevis retention			A075W6175F	1
17	Washer, cable clevis to lever			A075W4000Z	1
18	Wavy Washer, cable clevis to lever			A075W4087Z	2
19	Nylon Washer, anti-rattle			A089W4104F	1
20	Clamp Bracket, outer cable to tunnel			B082J4165F	1
21	Spire Nut, No. 6			A075W6014Z	1
22	Pop Rivet, clamp bracket to tunnel			A075W6071Z	4
23	Clamp, outer cable to tunnel bracket			A082P4244F	1
24	Screw, No. 6 x 1/2"			A075W5014F	1
25	Abutment Bracket, cable to throttle body		V8, V8GT, Sport 350	A918E0227F	1
26	Setscrew, M6 x 12, hex. hd., brkt. to throttle body		V8, V8GT, Sport 350	A075W1027Z	2
27	'C' Clip Throttle Cable, cable abutment		V8, V8GT, Sport 350	A089J6017F	1
28	Spring Clip Throttle Cable, ball joint to lever		V8, V8GT, Sport 350	A082J6171F	1
29	'P' Clip, cable to engine bay			A075W6228F	2
30	Washer, 'P' clip fixing			A075W4000Z	2
31	Pop Rivet, 'P' clip fixing			A075W6068F	2
32	Grommet, cable through bulkhead			A036B6182Z	1
33	Conduit, throttle cable			A082L4244F	2.15M
34	Abutment Bracket, throttle cable front			A082J4230F	1
35	Nut Plate, bracket to tunnel			A082J4231F	1
36	Pop Rivet, waterproof, nut plate fixing			A075W6071Z	1

18

**Function Code 14.01 Pedal Box, Pedals, Throttle Control**

<u>Dep</u>	<u>Part Description</u>	<u>Remarks</u>	<u>Option</u>	<u>Part Number</u>	<u>Qty</u>
37	Setscrew, M5 x 10, pan hd. pozi			A082W5097F	1
38	Washer, shakeproof, M5			A075W4045Z	1
39	Setscrew, M5 x 16, pan hd. pozi.			A082W5107F	2
40	Washer, shakeproof, M5			A075W4045Z	2
41	Washer, flat, throttle pedal pivot			A075W4005Z	4
42	Bush, throttle pedal pivot			A075J6005Z	2
43	Spirol Pin. M5 x 30, lever arm to pedal shaft			A082W6235F	1
44	Setscrew, M8 x 20, cap hd., pedal box to chassis			A111W7141F	4
45	Washer, spring, M8			A075W4048Z	4
46	Washer, flat, M8 x 16			A075W4020Z	4
47	Spacer, clutch/brake pedal pivots			A079J4005F	1
48	Bracket, throttle downstop/brake light switch mtg.			A082J4348F	1
49	Bolt, M8, hex. hd., throttle upstop			A075W1040Z	1
50	Locknut, M8, throttle upstop			A075W3026Z	1
51	Brake Light Switch			A089M6019F	1
52	Setscrew, M6 x 18, bracket fix.			A075W1029Z	2
53	Washer, spring M6			A075W4035Z	2
54	Washer, flat, M6 x 12			A075W4013Z	2
55	Spring, throttle pedal return			A075J6029Z	1
56	Abutment Bracket, throttle downstop, LHD			A082J4317F	1
57	Setscrew, M6 x 16 hex. hd.			A075W1028Z	4

18

**Function Code 14.01 Pedal Box, Pedals, Throttle Control**

<u>Dep</u>	<u>Part Description</u>	<u>Remarks</u>	<u>Option</u>	<u>Part Number</u>	<u>Qty</u>
58	Washer, flat, M6 x 25			A075W4017Z	4
59	Nyloc Nut, M6			A075W3009Z	4
60	Pad, throttle pedal downstop, RHD			A082V7807K	1
61	Screw, No.8 x 3/8, pan hd. pozi.			A075W5032Z	1
62	Nut, M8, downstop locking			A075W3072F	1
63	Bolt, M8 x 45, throttle downstop, RHD			A075W1043Z	1
63a	Bolt, M8 x 50, throttle downstop, LHD			A079W1044F	1
64	Clevis Pin			A075W6030Z	1
65	Bush, brake light switch to bracket			A089M6020F	1
66	Bush, pedal pivots			A079J6025F	4
67	Spring, clutch pedal return			A0832J6075F	1
68	Pin, spring retention			A082Q0722F	1
69	Retaining Clip, pin to pedal			A082Q0723F	1
70	Setscrew, M10 x 45, button hd.. blk., clutch downstop			A082W7057F	1
71	Locknut, M10, clutch downstop			A075W3024Z	1
72	Pedal Pad, rubber, clutch			A079J6001F	1
72a	Pedal pad, drilled alloy, clutch		Sport 350	P691.1401.008AK	1
73	Pedal Pad, rubber, brake			A079J6001F	1
73a	Pedal Pad, drilled alloy. brake		Sport 350	P691.1401.009AK	1
74	Adjuster Screw, throttle cable front abutment			A082J4229F	1
75	Locknut, adjuster screw			A075W6071Z	1

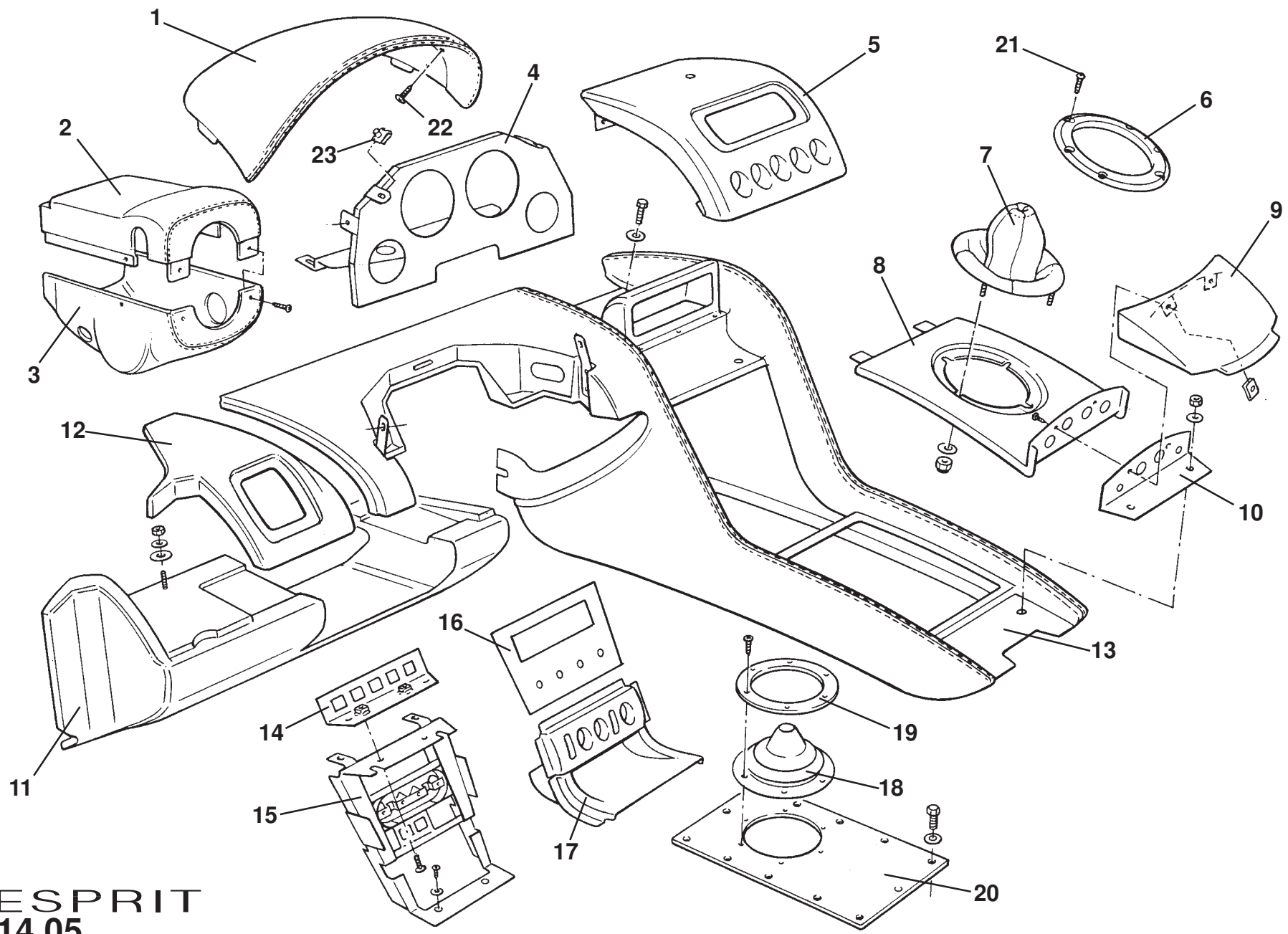
18

---

**Function Code 14.01 Pedal Box, Pedals, Throttle Control**

<u>Dep</u>	<u>Part Description</u>	<u>Remarks</u>	<u>Option</u>	<u>Part Number</u>	<u>Qty</u>
76	Clevis, cable to pedal/lever			A082U6313F	1
77	Tie Wrap, throttle cable to breather pipe	Not illustrated	V8, V8GT, Sport 350	A075W6038Z	1

---



**ESPRIT**  
**14.05**

**Function Code 14.05 Fascia Structure & Supporting Hardware**

<u>Dep</u>	<u>Part Description</u>	<u>Remarks</u>	<u>Option</u>	<u>Part Number</u>	<u>Qty</u>
01	Instrument Cowl		Vinyl	<b>B082V8966J</b>	1
01a	Instrument Cowl		Leather	<b>A082V8966J</b>	1
01b	Instrument Cowl, carbon fibre		Sport 350	<b>A082V9045J</b>	1
02	Steering Column Shroud, upper		Vinyl, Non SIR	<b>B082V8959J</b>	1
02a	Steering Column Shroud, upper		Leather, Non SIR	<b>A082V8959J</b>	1
02b	Steering Column Shroud, upper		Vinyl, SIR	<b>B082V8960J</b>	1
02c	Steering Column Shroud, upper		Leather, SIR	<b>A082V8960J</b>	1
03	Steering Column Shroud, lower		Vinyl, GT3, V8 GT	<b>B082V8962J</b>	1
03a	Steering Column Shroud, lower		Leather, V8, Sport 350	<b>A082V8962J</b>	1
04	Instrument Panel			<b>C082N4069F</b>	1
05	Upper Console Switch Panel Trim, senosoft finish			<b>B082V8873K</b>	1
05a	Upper Console Switch Panel Trim, carbon fibre		Sport 350	<b>A082V9050F</b>	1
06	Gear Lever Gaiter Finisher Ring, polished alloy		GT3, V8GT	<b>A082F4199F</b>	1
06a	Gear Lever Gaiter Finisher Ring, anodised alloy		Sport 350/'99 MY USA	<b>A082F4204F</b>	1
07	Gear Lever Gaiter		Vinyl, GT3, V8GT	<b>B082V9043J</b>	1
07a	Gear Lever Gaiter		Leather, V8	<b>A082V7586J</b>	1
08	Gear Lever Tray/ Switch Panel Trim, senosoft finish	Curved gaiter landing, no finisher ring	V8SE, prior to Jan '98	<b>A082V8998K</b>	1
08a	Gear Lever Tray/Switch Panel Trim, primed finish	Curved gaiter landing, no finisher ring	V8SE, Jan '98 on	<b>A082V8997K</b>	1
08b	Gear Lever Tray/Switch Panel Trim, primed finish	For finisher ring item 6	GT3, V8GT	<b>A082V9000K</b>	1

**Function Code 14.05 Fascia Structure & Supporting Hardware**

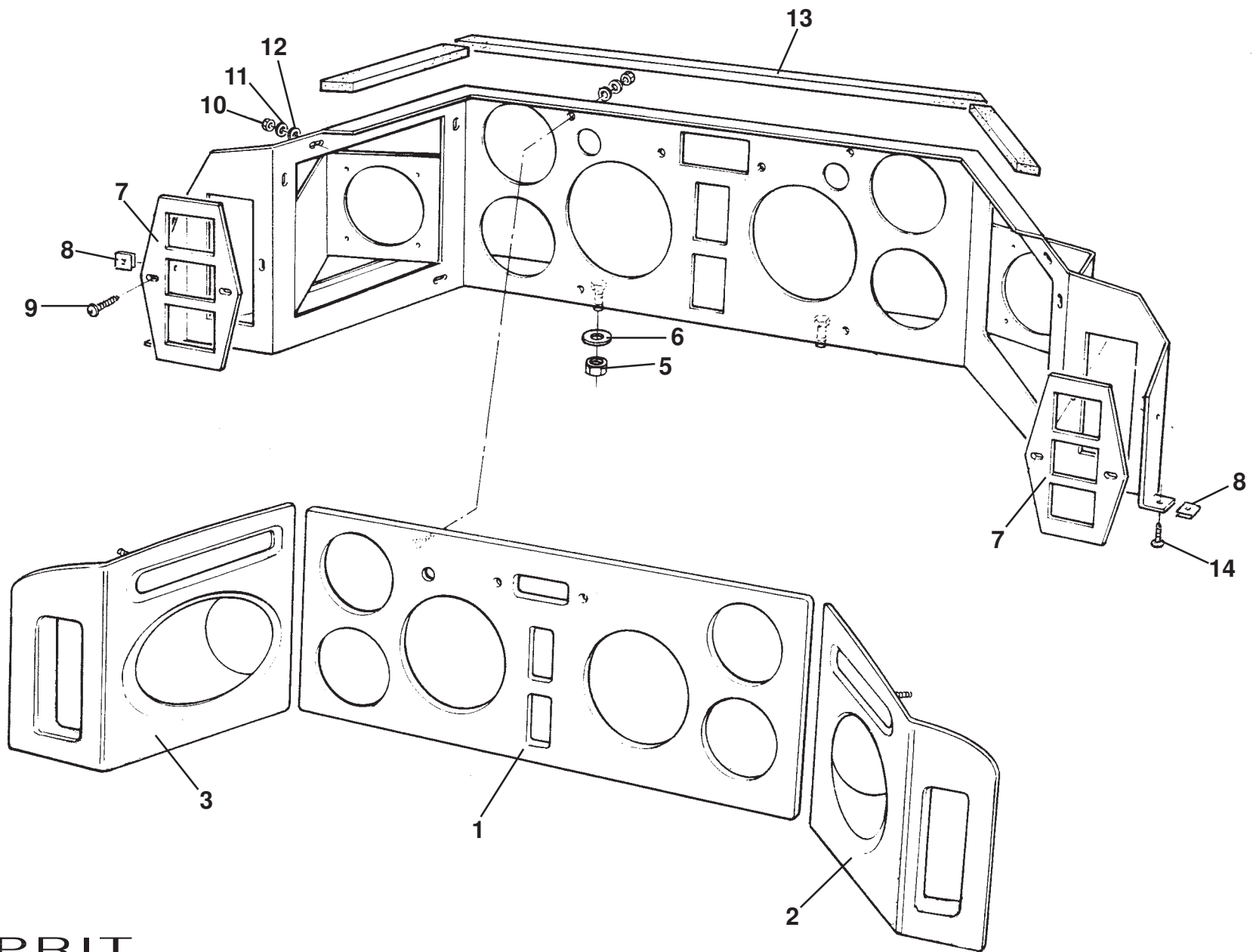
<u>Dep</u>	<u>Part Description</u>	<u>Remarks</u>	<u>Option</u>	<u>Part Number</u>	<u>Qty</u>
08c	Gear Lever Tray/ Switch Panel Trim, senosoft finish	For finisher ring item 6a	V8, '99 MY on, USA	A082V9060K	1
08d	Gear Lever Tray/Switch Panel Trim, carbon fibre	For finisher ring item 6a	Sport 350	A082V9047F	1
09	Tunnel Switch Panel Cover		Vinyl	B082V8973J	1
09a	Tunnel Switch Panel Cover		Leather	A082V8973J	1
10	Tunnel Switch Panel/ Bracket			A082U7873F	1
11	Knee Bolster, driver, LHD		Vinyl	B082V8956J	1
11a	Knee Bolster, driver, LHD		Leather	A082V8956J	1
11b	Knee Bolster, driver, RHD		Vinyl	B082V8958J	1
11c	Knee Bolster, driver, RHD		Leather	A082V8958J	1
12	Fascia End Panel/Vent Hsg., driver's, LHD		Vinyl	B082V8972J	1
12a	Fascia End Panel/Vent Hsg., driver's, LHD		Leather	A082V8972J	1
12b	Fascia End Panel/Vent Hsg., RHD		Vinyl	B082V8971J	1
12c	Fascia End Panel/Vent Hsg., RHD		Leather	A082V8971J	1
13	Driver Fascia & Centre Console, LHD		Vinyl	B082V8965J	1
13a	Driver Fascia & Centre Console, LHD		Leather	A082V8965J	1
13b	Driver Fascia & Centre Console, RHD		Vinyl	B082V8964J	1
13c	Driver Fascia & Centre Console, RHD		Leather	A082V8964J	1
14	Upper Switch Panel/Bracket	Five switch apertures		A082U7872F	1
14a	Upper Switch Panel/Bracket	Six switch apertures	Sport 350	A082U7958F	1
15	Lower Switch/Radio Mounting Frame, LHD			A082U7865F	1
15a	Lower Switch/Radio Mounting Frame, RHD			A082U7866F	1

18

**Function Code 14.05 Fascia Structure & Supporting Hardware**

<u>Dep</u>	<u>Part Description</u>	<u>Remarks</u>	<u>Option</u>	<u>Part Number</u>	<u>Qty</u>
16	AC Control Panel			A082P4445F	1
16a	Heater Control Panel			A082P4446F	1
16b	Graphics Mask, AC controls			D082P4443F	1
16c	Graphics Mask, heater controls			D082P4444F	1
17	Lower Console Switch Panel Trim, senotex finish, LHD			A082V8891J	1
17a	Lower Console Switch Panel Trim, senotex finish, RHD			A082V8890J	1
17b	Lower Console Switch Panel Trim, carbon fibre		Sport 350	A082V9058F	1
17c	Lower Console Switch Panel Trim, senotex finish, LHD	For tyre pressure display unit	'Final Edition'	A082V1613F	1
18	Gear Lever Gaiter, rubber	Also see 47.05		B082F4114F	1
19	Gaiter Retaining Ring	Also see 47.05		A082F4116F	1
20	Cover Plate, gearchange mechanism	Also see 47.05		A082F4115F	1
21	Screw, M5 x 20, button. skt. hd, S/S, finisher ring fix.			A082W7173F	6
22	Screw, M6 x 16, button hd. skt., cowl to panel			A082W7105F	2
23	Spirenut, M6, cowl to panel			A100W6362F	2

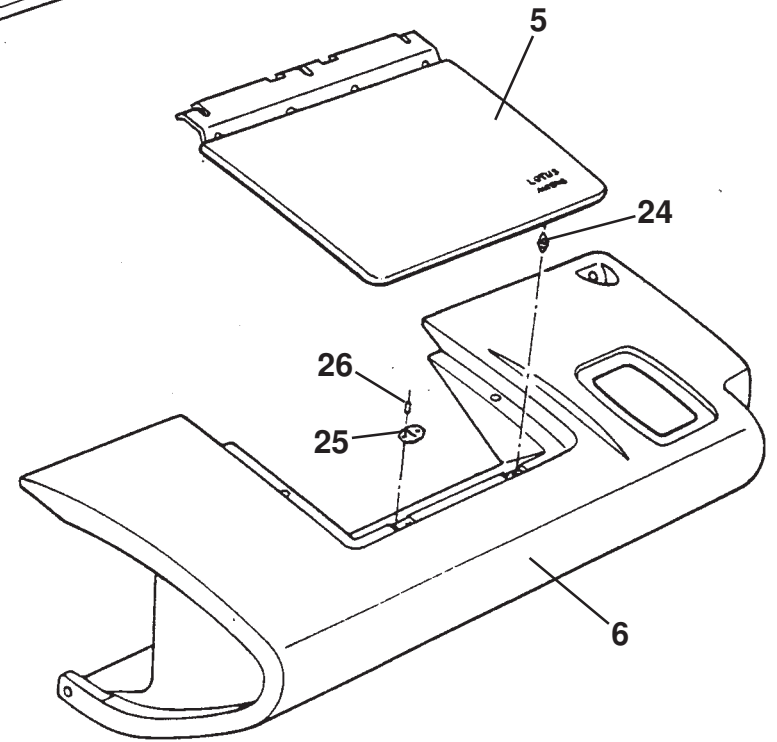
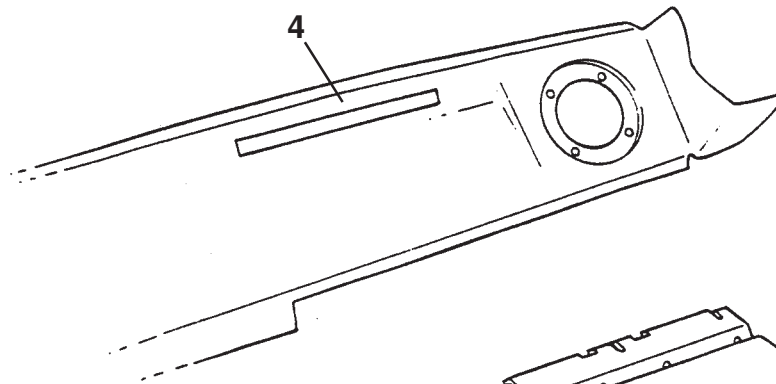
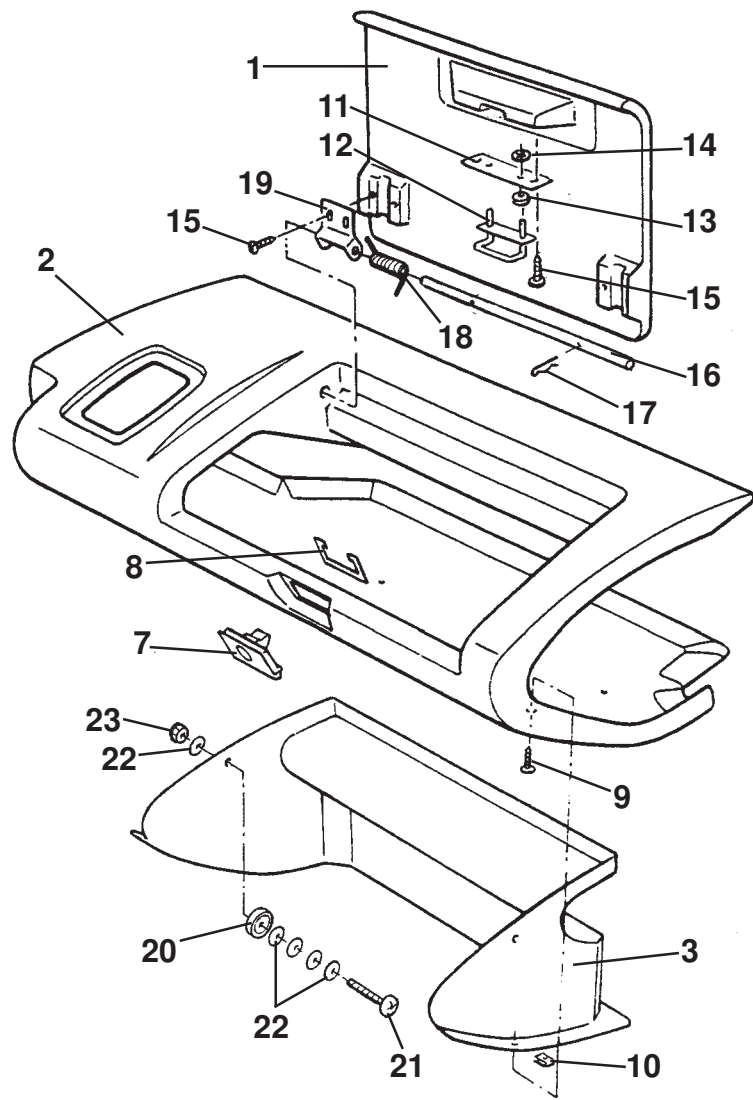




ESPRIT  
14.07

**Function Code 14.07 Fascia Instrument Panel, Masks & Switch Panels**

<u>Dep</u>	<u>Part Description</u>	<u>Remarks</u>	<u>Option</u>	<u>Part Number</u>	<u>Qty</u>
01	Instrument Mask walnut finish, centre section		V8, prior to '98 MY	A082U7706F	1
01a	Instrument Mask, senotex finish, centre section		GT3, prior to '98 MY	P691.1407.002AP	1
02	Instrument Mask, walnut finish, side section RH		V8, prior to '98 MY	A082U7704F	1
02a	Instrument Mask, senotex finish, side section LH		GT3, prior to '98 MY	P691.1407.003AP	1
03	Instrument Mask, walnut finish, side section LH		V8, prior to '98 MY	A082U7705F	1
03a	Instrument Mask, senotex finish, side section LH		GT3, prior to '98 MY	P691.1407.004AP	1
04	Instrument Panel		Prior to '98 MY	P691.1407.009AC	1
05	Nyloc Nut, M6, instrument panel to scuttle			A075W3009Z	2
06	Washer, flat, M6 x 20			A075W4016Z	2
07	Plate, switch mounting			B082U5918F	2
08	Spire Nut, no. 6			A075W6014Z	6
09	Screw, no, 6 x ½", st. pozi.			A075W5012F	4
10	Nut, M4, mask to instrument panel			A075W3019F	10
11	Washer, spring, M4			A075W4086F	10
12	Washer, flat, M4			A075W4000Z	10
13	Foam, self adhesive, panel top	Cut to size		A082U6065V	As req.
14	Screw, no.6 x 1", st. pozi.			A082W5022F	2



ESPRIT  
14.12

# Service Parts List



## Function Code 14.12 Passenger Fascia: Glovebox Assembly

<u>Dep</u>	<u>Part Description</u>	<u>Remarks</u>	<u>Option</u>	<u>Part Number</u>	<u>Qty</u>
01	Glovebox Lid, RHD		Vinyl, Non SIR	<b>B082V8938J</b>	1
01a	Glovebox Lid, RHD	Specify colour/supply sample	Leather, Non SIR	<b>A082V8938J</b>	1
02	Fascia Panel, passenger, glove box, RHD		Vinyl, Non SIR	<b>B082V8922K</b>	1
02a	Fascia Panel, passenger, glove box, RHD	Specify colour/supply sample	Leather, Non SIR	<b>A082V8922K</b>	1
03	Glovebox Inner Panel, RHD		Non SIR	<b>A082V8901K</b>	1
04	Screen Landing		Vinyl	<b>B082V8560K</b>	1
04a	Screen Landing		Leather	<b>A082V8560K</b>	1
05	Passenger SIR Lid, LHD	Includes item 24	Vinyl, Dual SIR	<b>B082V6382J</b>	1
05a	Passenger SIR Lid, LHD	Includes item 24	Leather, Dual SIR	<b>A082V6382J</b>	1
05b	Passenger SIR Lid, Lotus logo, LHD	Includes item 24	'Final Edition', leather	<b>C082V6382J</b>	1
06	Fascia Panel/Knee Bolster, passenger SIR, LHD		Vinyl, Dual SIR	<b>B082V8955J</b>	1
06a	Fascia Panel/Knee Bolster, passenger SIR, LHD	Specify colour/supply sample	Leather, Dual SIR	<b>A082V8955J</b>	1
07	Latch Assembly (non locking)	B100V6004F R/B	RHD, Non SIR	<b>A082U7985F</b>	1
08	Retaining Clip, latch assy.		RHD, Non SIR	<b>A100V6005F</b>	1
09	Screw, No.8 x 3/4", flg. hd. pozi.		RHD, Non SIR	<b>A075W5074Z</b>	7
10	Spire Nut, No.8, inner panel fix.		RHD, Non SIR	<b>A075W6016Z</b>	5
11	Keeper Plate		RHD, Non SIR	<b>A082V8933F</b>	1
12	Latch Ring		RHD, Non SIR	<b>A082V8936F</b>	1

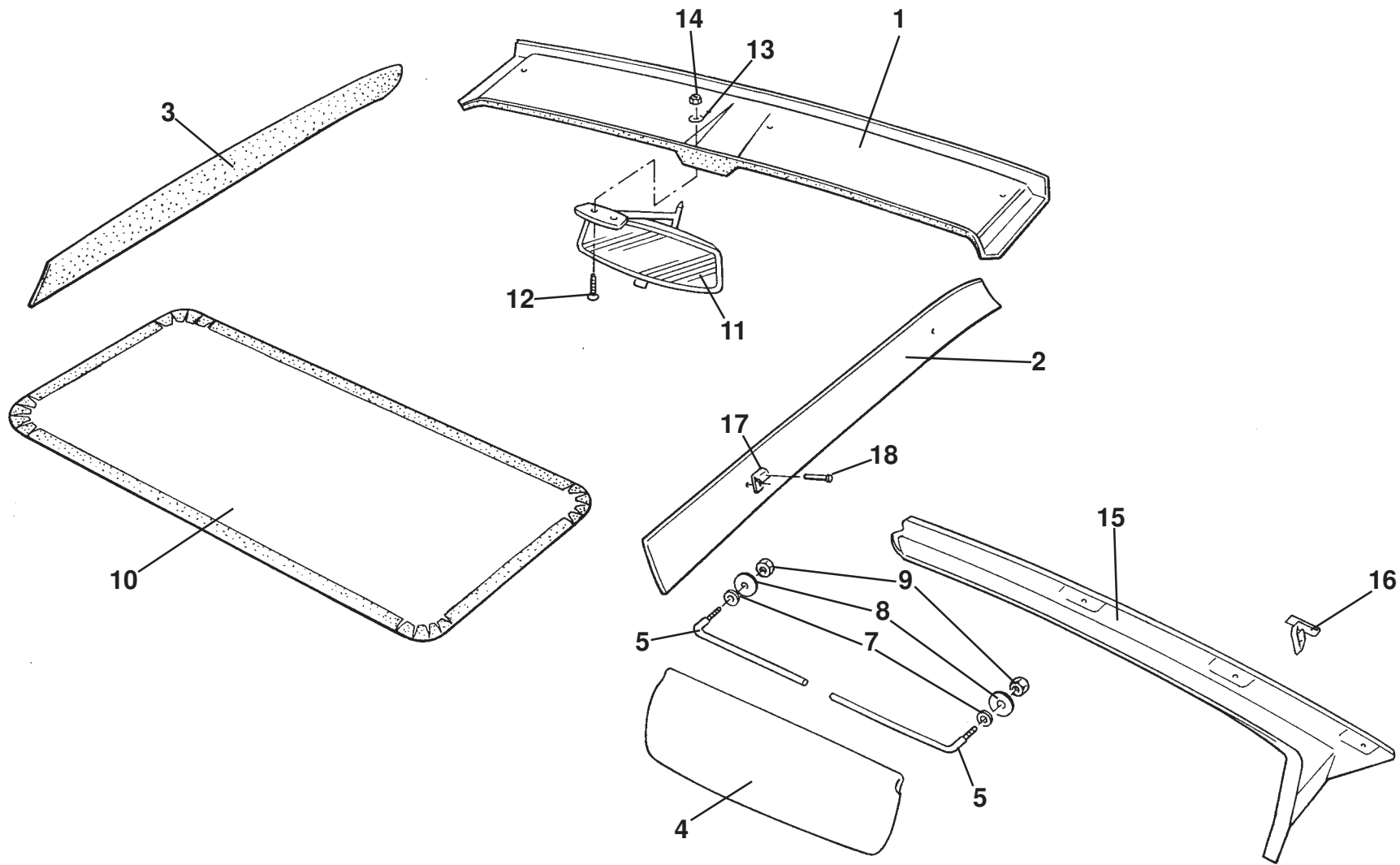
Function Code: 14.12, Page: 1

*Updated 28th January 2011*

**Function Code 14.12 Passenger Fascia: Glovebox Assembly**

<u>Dep</u>	<u>Part Description</u>	<u>Remarks</u>	<u>Option</u>	<u>Part Number</u>	<u>Qty</u>
13	Grommet, 4mm I/D		RHD, Non SIR	<b>A082V6249F</b>	2
14	Starlock Fastener, latch ring fix.		RHD, Non SIR	<b>A111P6025F</b>	2
15	Screw, No.8 x 3/8", pan hd. pozi., bracket fix.		RHD, Non SIR	<b>A075W5031Z</b>	4
16	Hinge Pivot Pin		RHD, Non SIR	<b>A082u7944F</b>	1
17	'R' Clip, 3/16, pivot pin fix.		RHD, Non SIR	<b>A082W6348F</b>	2
18	Hairpin Spring, glovebox hinge, LH		RHD, Non SIR	<b>A082V6251F</b>	1
18a	Hairpin Spring, glovebox hinge, RH		RHD, Non SIR	<b>A082V6250F</b>	1
19	Hinge Pivot Bracket		RHD, Non SIR	<b>A082V8937F</b>	2
20	Downstop, glovebox lid		RHD, Non SIR	<b>A082M6468F</b>	2
21	Screw, M6 x 20, button hd.		RHD, Non SIR	<b>A100W7096F</b>	2
22	Washer, flat, M6 x 12 x 1.5		RHD, Non SIR	<b>B100W4127F</b>	10
23	Nyloc Nut, M6, thin		RHD, Non SIR	<b>A907E6285F</b>	2
24	Clip, 'snap off' SIR lid fix.	Supplied with lid	LHD, Non/Dual SIR	<b>A082U6304F</b>	2
25	Plate, clip retaining		LHD, Non/Dual SIR	<b>A082U7649K</b>	2
26	Pop Rivet, plate fix.		LHD, Non/Dual SIR	<b>A075W6091Z</b>	4
27	Gear Lever Surround	Not available	GT3	<b>A082B5396K</b>	1

18



ESPRIT  
15.01

# Service Parts List



## Function Code 15.01 Roof Trim, Header Rail, Cant Rails, Sun Visors, '98 MY

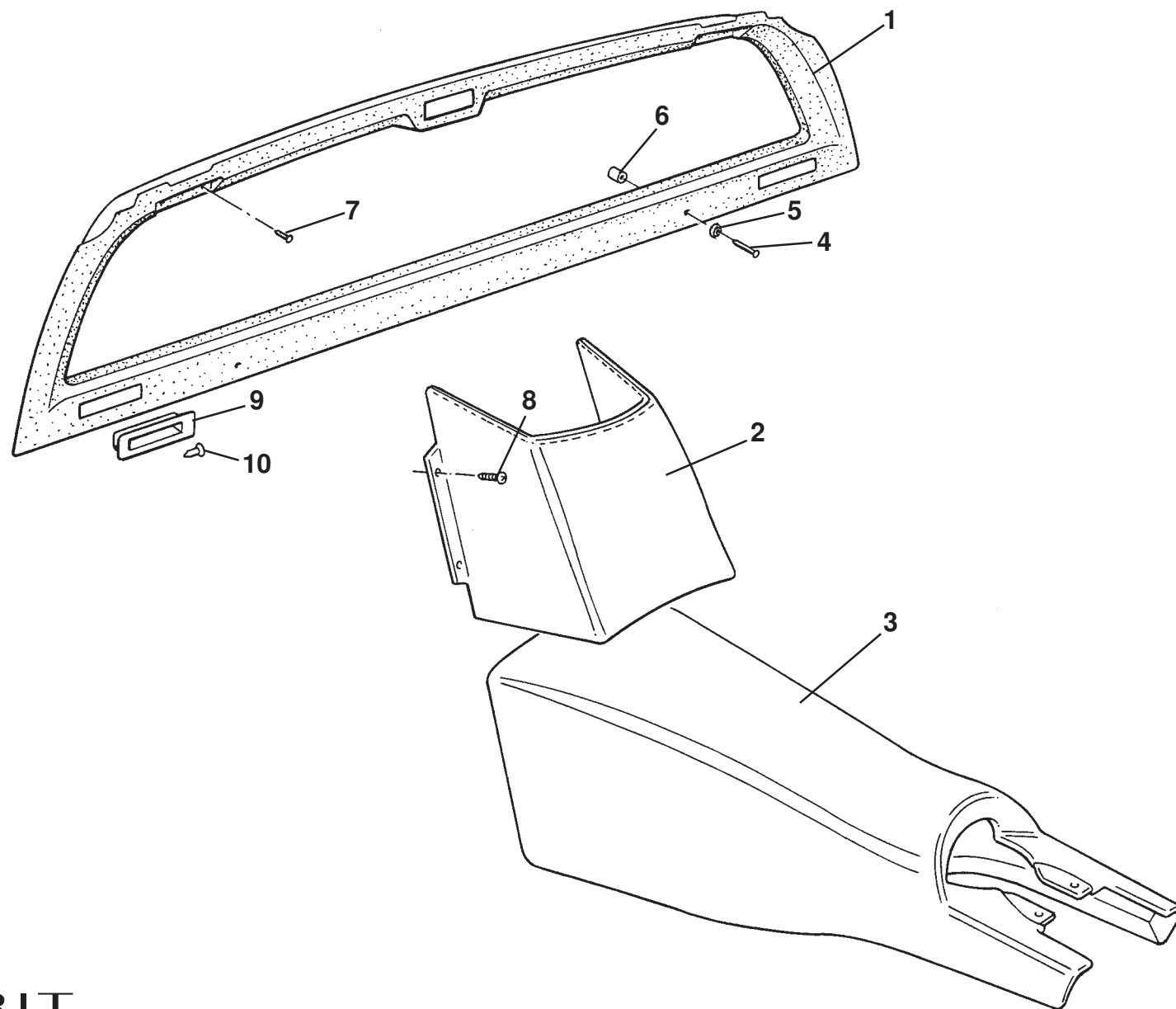
<u>Dep</u>	<u>Part Description</u>	<u>Remarks</u>	<u>Option</u>	<u>Part Number</u>	<u>Qty</u>
01	Header Rail, trimmed		Alcantara, black	C082V8976J	1
01a	Header Rail, trimmed		Kestral	B082V8976J	1
01b	Header Rail, trimmed	Specify colour/supply sample	Leather	A082V8976J	1
02	Cant Rail, trimmed, RH		Alcantara, black	C082V8979J	1
02a	Cant Rail, trimmed, RH		Kestral	B082V8979J	1
02b	Cant Rail, trimmed, RH	Specify colour/supply sample	Leather	A082V8979J	1
03	Cant Rail, trimmed, LH		Alcantara, black	C082V8985J	1
03a	Cant Rail, trimmed, LH		Kestral	B082V8985J	1
03b	Cant Rail, trimmed, LH	Specify colour/supply sample	Leather	A082V8985J	1
04	Sun Visor			A082V8940J	2
05	Mounting Rod, sun visor			A079V4361F	4
07	Washer, flat, M6 x 15			A075W4015Z	8
08	Washer, flat, M6 x 17			A075W4017Z	8
09	Nyloc Nut, M6			A075W3009Z	8
10	Roof Trim, composite roof			A082V7696J	1
10a	Roof Trim, composite roof, beige cloth		2002 MY	A082V6161J	1
11	Interior Mirror			A079U6044F	1
12	Screw, M4, csk. pozi.			A100W5160F	2



**Function Code 15.01 Roof Trim, Header Rail, Cant Rails, Sun Visors, '98 MY**

<u>Dep</u>	<u>Part Description</u>	<u>Remarks</u>	<u>Option</u>	<u>Part Number</u>	<u>Qty</u>
13	Washer, flat			A075W4011Z	2
14	Nyloc Nut, M4			A075W3049F	2
15	'A' Post Trim, RH, LHD		Vynil	B082V8969J	1
15a	'A' Post Trim, RH, LHD	Specify colour/supply sample	Leather	A082V8969J	1
15a	'A' Post Trim, RH, RHD		Vynil	B082V6970J	1
15b	'A' Post Trim, RH, RHD	Specify colour/supply sample	Leather	A082V6970J	1
15c	'A' Post Trim, LH, LHD		Vynil	B082V8967J	1
15d	'A' Post Trim, LH, LHD	Specify colour/supply sample	Leather	A082V8967J	1
15e	'A' Post Trim, LH, RHD		Vynil	B082V8968J	1
15f	'A' Post Trim, LH, RHD	Specify colour/supply sample	Leather	A082V8968J	1
16	Retaining Clip, 'A; post fixing		A075W6062Z R/B	A072U7988S	6
17	Bracket, cant rail fix.			C079U4749K	4
18	Screw, No.6 x 1/2", pozi.			A075W5108F	4

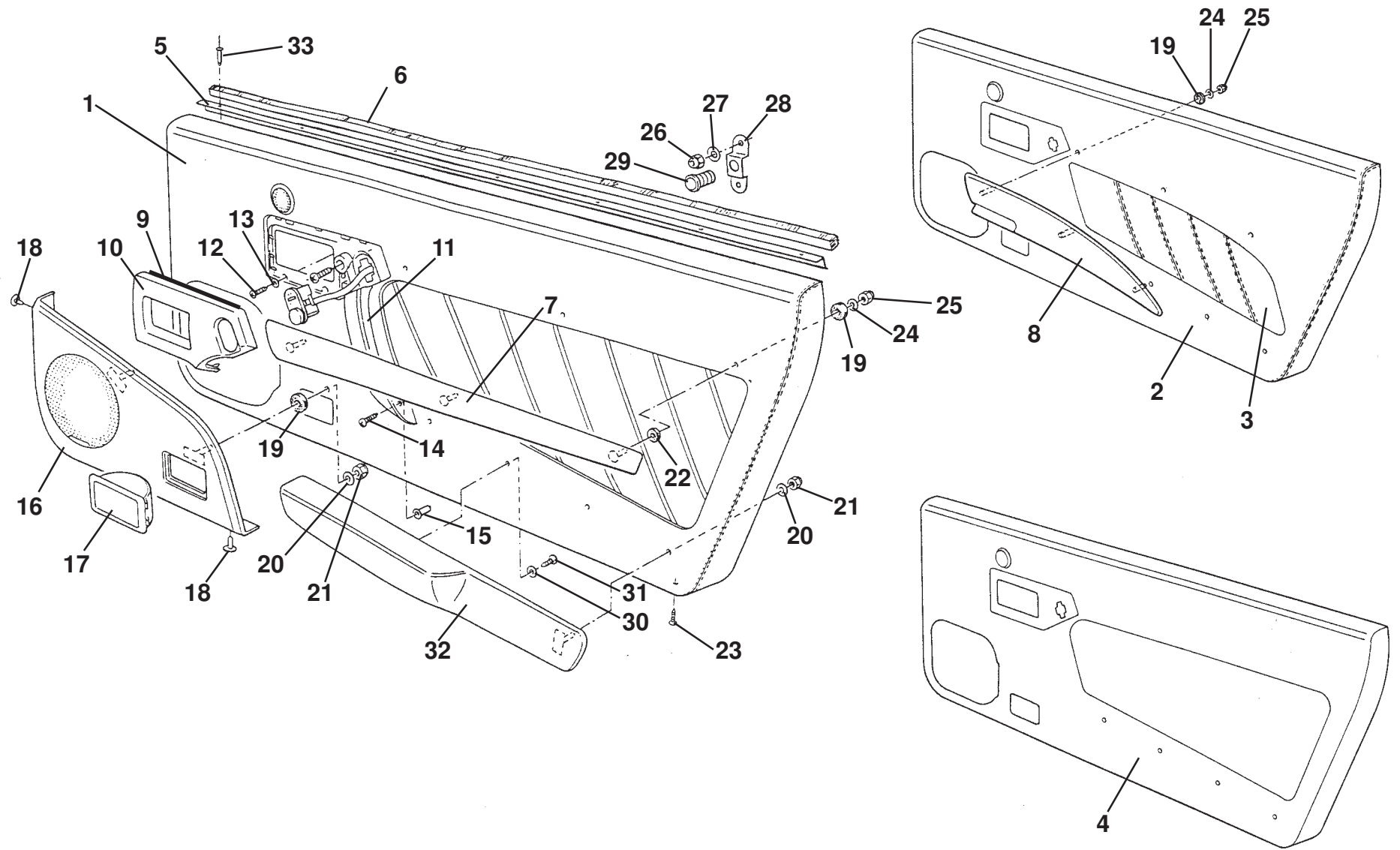




ESPRIT  
15.11a

**Function Code 15.11a Rear Bulkhead, Tunnel Top, Stowage Pocket, '98 MY**

<u>Dep</u>	<u>Part Description</u>	<u>Remarks</u>	<u>Option</u>	<u>Part Number</u>	<u>Qty</u>
01	Rear Bulkhead Window Surround, trimmed		Alcantara, black	<b>C082V8978J</b>	1
01a	Rear Bulkhead Window Surround, trimmed		Kestral	<b>B082V8978J</b>	1
01b	Rear Bulkhead Window Surround, trimmed	Specify colour/supply sample	Leather	<b>A082V8978J</b>	1
02	Rear Bulkhead Stowage Pocket		Vinyl	<b>B082V8975J</b>	1
02a	Rear Bulkhead Stowage Pocket	Specify colour/supply sample	Leather	<b>A082V8975J</b>	1
03	Tunnel Top Trim		Vinyl	<b>B082V8974J</b>	1
03a	Tunnel Top Trim	Specify colour/supply sample	Leather	<b>A082V8974J</b>	1
04	Screw, no.6 x 1.5", csk. pozi., surround fix.			<b>A085W55108F</b>	2
05	Upholstery Washer, plastic			<b>A082W6482F</b>	2
06	Spacer, nylon			<b>A082U6162F</b>	2
07	Screw, no.6 x 1", csk. pozi., pocket fix.			<b>A075W5030Z</b>	4
08	Screw, no.6 x 0.75", csk. pozi., handle recess			<b>A075W5028Z</b>	4
09	Bulkhead Finisher, seatbelt though bulkhead	Also see 13.27		<b>B075V0612K</b>	2
10	Plastic Fastener, finisher fix.	Also see 13.27		<b>A075W6041Z</b>	4



**ESPRIT**  
**15.13**

# Service Parts List



## Function Code 15.13 Front Door Trims

<u>Dep</u>	<u>Part Description</u>	<u>Remarks</u>	<u>Option</u>	<u>Part Number</u>	<u>Qty</u>
01	Door Trim Panel, leather, RH	State colour, fits long finisher item 7/7b	V8, prior Jan. '98	<b>A082V8730J</b>	1
01a	Door Trim Panel, leather, LH	State colour, fits long finisher item 7a/7c	V8, prior Jan. '98	<b>A082V8729J</b>	1
02	Door Trim Panel, leather, RH	State colour, fits short finisher item 8	V8, Jan. '98 on	<b>A082V8732J</b>	1
02a	Door Trim Panel, leather, LH	State colour, fits short finisher item 8a	V8, Jan. '98 on	<b>A082V8731J</b>	1
02b	Door Trim Panel, vinyl, RH	Fits short finisher item 8b (GT3 no finisher)	V8 GT, GT3, Jan. '98 on	<b>B082V8732J</b>	1
02c	Door Trim Panel, vinyl, LH	Fits short finisher item 8c (GT3 no finisher)	V8 GT, GT3, Jan. '98 on	<b>B082V8731J</b>	1
03	Door Trim Insert, leather, RH		V8, Jan. '98 on	<b>A082V8816J</b>	1
03a	Door Trim Insert, leather, LH		V8, Jan. '98 on	<b>A082V8815J</b>	1
03b	Door Trim Insert, kestral, RH		V8 GT, GT3, Jan. '98 on	<b>B082V8816J</b>	1
03c	Door Trim Insert, kestral, LH		V8 GT, GT3, Jan. '98 on	<b>B082V8815J</b>	1
03d	Door Trim Insert, alcantara, blue, RH		Sport 350	<b>C082V8816J</b>	1
03e	Door Trim Insert, alcantara, blue, LH		Sport 350	<b>C082V8815J</b>	1
04	Door Trim Panel, vinyl/kestral, RH		GT3, prior Jan. '98	<b>B082V8730J</b>	1
04a	Door Trim Panel, vinyl/kestral, LH		GT3, prior Jan. '98	<b>B082V8729J</b>	1
05	Carrier, door trim panel seal			<b>A082V8297F</b>	2



**Function Code 15.13 Front Door Trims**

<u>Dep</u>	<u>Part Description</u>	<u>Remarks</u>	<u>Option</u>	<u>Part Number</u>	<u>Qty</u>
06	Brush Seal, trim panel to door glass	1m per door		B089V6166V	2m
07	Door Trim finisher, burr walnut, RH		V8, prior '98 MY	A082U7740F	1
07a	Door Trim finisher, burr walnut, LH		V8, prior '98 MY	A082U7741F	1
07b	Door Trim Finisher, senotex, RH		V8, '98 MY to Jan. '98	A082U7966J	1
07c	Door Trim Finisher, senotex, LH		V8, '98 MY to Jan. '98	A082U7967J	1
08	Door Trim Finisher, senotex, RH	Commonised with V8 GT	V8, Jan. '98 on	A082U7924J	1
08a	Door Trim Finsher, senotex, LH	Commonised with V8 GT	V8, Jan. '98 on	A082U7923J	1
08b	Door Trim Finisher, RH, body colour	Supplied in primer	V8 GT, Sport 350	A082U7926J	1
08c	Door Trim Finisher, LH, body colour	Supplied in primer	V8 GT, Sport 350	A082U7925J	1
08d	Door Trim Finisher, RH, aluminium finish		2002 MY	A082V9121F	1
08e	Door Trim Finisher, LH, aluminium finish		2002 MY	A082V9120F	1
09	Foam seal, handle to trim panel			A082U6065V	As req.
10	Cover, interior release handle, RH		RHD	A082U6252F	1
10a	Cover, interior release handle, LH		RHD	A082U6251F	1
10b	Cover, interior release handle, RH		LHD	A082U6250F	1
10c	Cover, interior release handle, LH		LHD	A082U6253F	1
11	Handle, door interior grab, RH			A082U6248F	1
11a	Handle, door interior grab, LH			A082U6249F	1
12	Screw, M6 x 16			A076W5090F	2
13	Washer, spring, M6			A075W4035Z	2
14	Screw, M6 x 25			A075W5089Z	2

18

**Function Code 15.13 Front Door Trims**

<u>Dep</u>	<u>Part Description</u>	<u>Remarks</u>	<u>Option</u>	<u>Part Number</u>	<u>Qty</u>
15	Jacknut, M6			A075W5089Z	2
16	Kick Plate, RH		A082V8946J R/B	A082V8796K	1
16a	Kick Plate, LH		A082V8945J R/B	A082V8797K	1
17	Ashtray			A082V6200F	2
18	Fastener, kickplate fixing			A082W6515F	4
19	Washer, rubber, large			A036L6019Z	20
20	Washer, flat, M5 x 25 x 1.25, blk.			A082W4098F	10
21	Nyloc Nut, M5			A075W3008Z	6
22	Washer, rubber, small			A082W4115F	8
23	Screw, M5 x 16, door trim panel fixing			A082W5184F	4
24	Washer, flat, 3/16 x 3/4, zn.			A075W4009Z	10
25	Nyloc Nut, M5			A100W3113F	10
26	Nyloc Nut, M6			A075W3009Z	4
27	Washer, flat, M6 x 15			A075W4015Z	4
28	Bracket, door panel buffer mounting			B082U7098F	2
29	Buffer, adjustable, door trim panel spacer			A082U6163F	2
30	Washer, flat, M4			A082W4099F	6
31	Screw, No 6 x 1/2", armrest to door trim panel			A075W5014Z	6
32	Armrest, trimmed, vinyl, RH		GT3, V8 GT	B082V8324J	1
32a	Armrest, trimmed, vinyl, LH		GT3, V8 GT	B082V8325J	1
32b	Armrest, trimmed, leather, RH		V8, Sport 350	A082V8324J	1

18

---

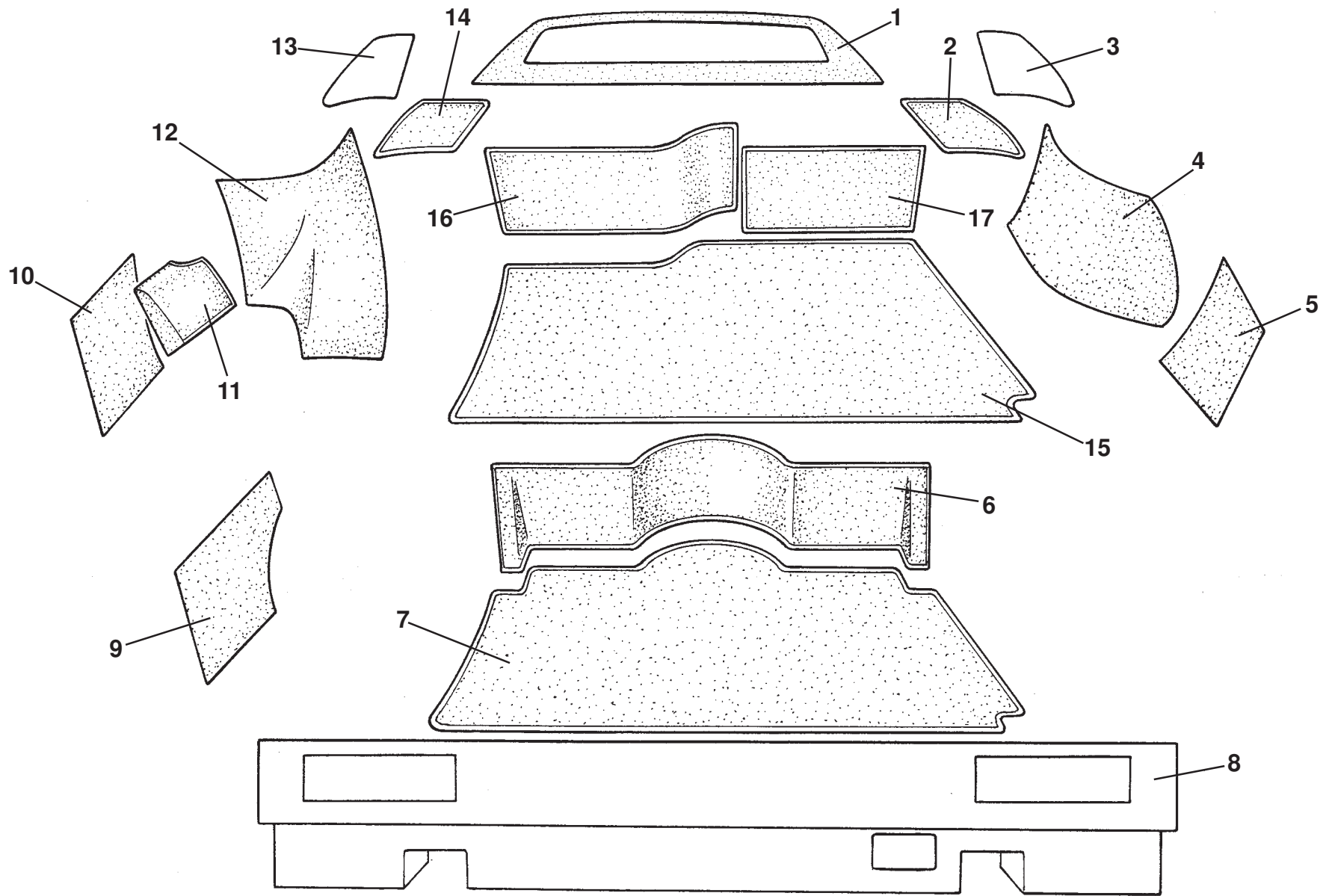
**Function Code 15.13 Front Door Trims**

<u>Dep</u>	<u>Part Description</u>	<u>Remarks</u>	<u>Option</u>	<u>Part Number</u>	<u>Qty</u>
32c	Armrest, trimmed, leather, LH		V8, Sport 350	A082V8325J	1
33	Pop Rivet, seal carrier fixing			A075W6088Z	14

---

---

18

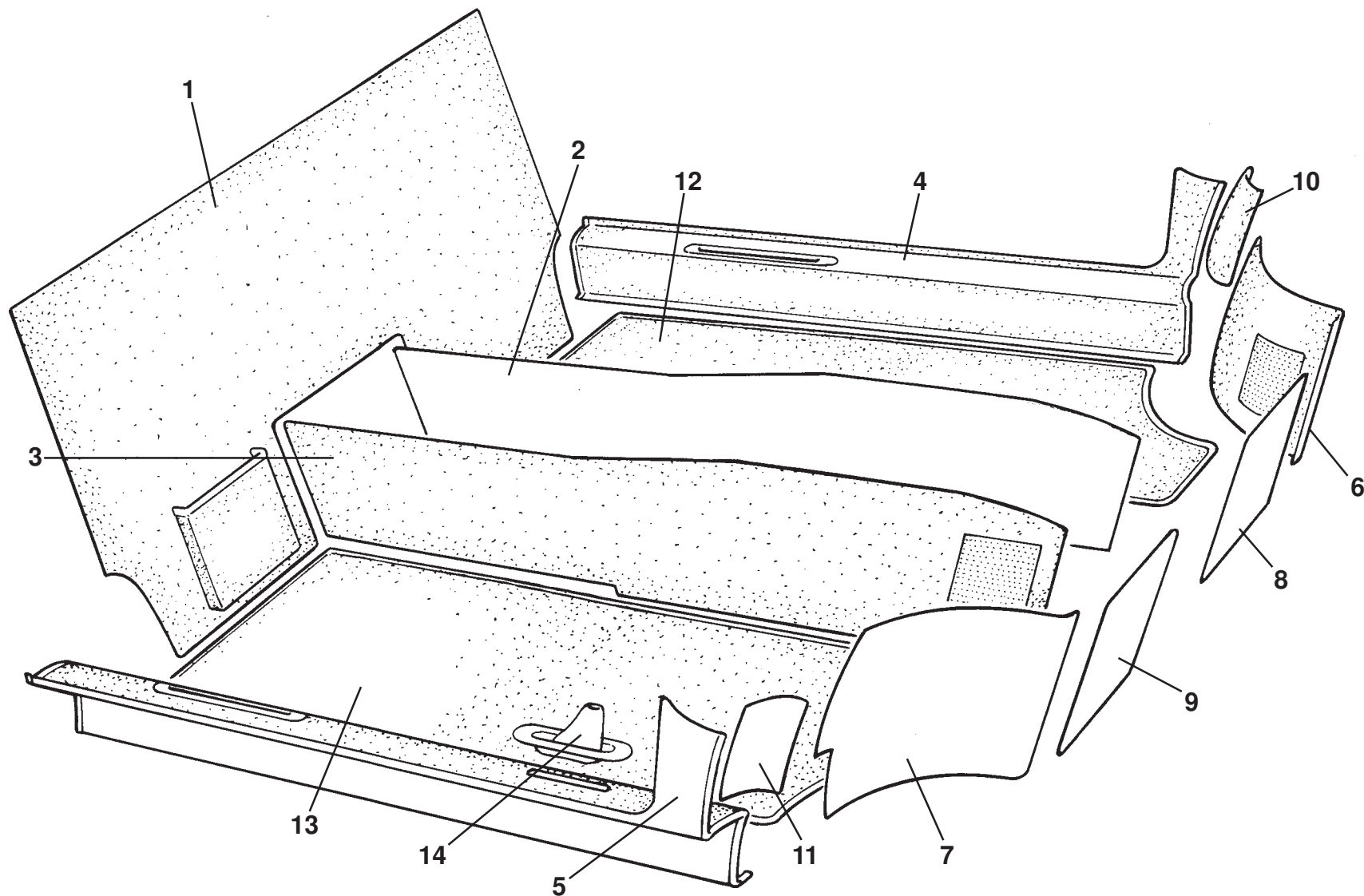


ESPRIT  
15.24



**Function Code 15.24 Luggage Compartment Carpet**

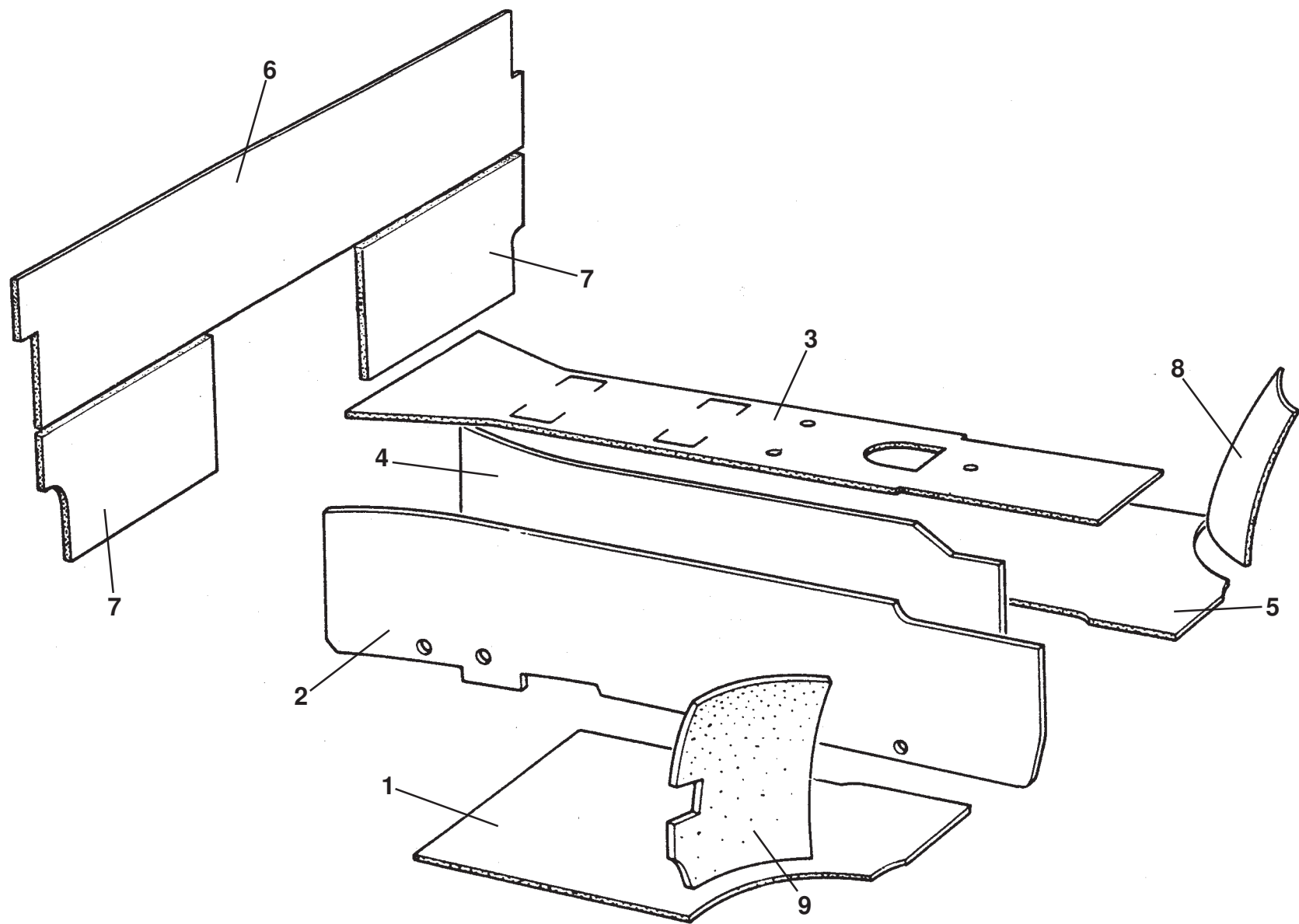
<u>Dep</u>	<u>Part Description</u>	<u>Remarks</u>	<u>Option</u>	<u>Part Number</u>	<u>Qty</u>
01	Carpet, rear cabin bulkhead		V8, V8-GT, GT3	A082V5892K	1
02	Carpet, trimmed, tank bay cover, RH		V8, V8-GT, GT3	A082V9033S	1
03	Carpet, trimmed, rear quarter panel, RH		V8, V8-GT, GT3	A082V9034S	1
04	Carpet, wheelarch, RH		V8, V8-GT, GT3	A082V7606K	1
05	Carpet, body side, RH		V8, V8-GT, GT3	A082V7604K	1
06	Carpet, trimmed, engine bay rear wall,		V8, V8-GT	A082V9035S	1
07	Carpet, trimmed, luggage compartment floor,		V8, V8-GT	A082V9036S	1
08	Carpet, trimmed, rear transom panel	With cut outs for silencer brackets	V8, V8-GT	A082V9037S	1
08a	Carpet, trimmed, rear transom panel		GT3	A082V7620J	1
09	Carpet, luggage compartment side, LH		V8, V8-GT	A082V9038S	1
10	Carpet, body side, LH		GT3	A082V7603K	1
11	Carpet, trimmed, expansion bottle cover		GT3	A082V7623J	1
12	Carpet, wheelarch, LH		V8, V8-GT, GT3	A082V7605K	1
13	Carpet, trimmed, rear quarter panel, LH		V8, V8-GT, GT3	A082V9039S	1
14	Carpet, trimmed, tank bay cover, LH		V8, V8-GT, GT3	A082V9040S	1
15	Carpet, trimmed, luggage compartment floor		GT3	A082V9041S	1
16	Carpet, trimmed, engine bay rear wall		GT3	A082V7617J	1
17	Carpet, trimmed, removeable cover electrics		GT3	A082V7618J	1



ESPRIT  
15.30

**Function Code 15.30 Carpeting & Mats**

<u>Dep</u>	<u>Part Description</u>	<u>Remarks</u>	<u>Option</u>	<u>Part Number</u>	<u>Qty</u>
01	Carpet, bulkhead, RHD	Spec. colour/supply sample/ VIN		<b>A082V8690J</b>	1
01a	Carpet, bulkhead, LHD	Spec. colour/supply sample/ VIN		<b>A082V8691J</b>	1
02	Carpet, tunnel side, LH, RHD	Spec. colour/supply sample/ VIN		<b>A082V9125S</b>	1
02a	Carpet, tunnel side, LH, LHD	Spec. colour/supply sample/ VIN		<b>A082V9127S</b>	1
03	Carpet, tunnel side, RH, RHD	Spec. colour/supply sample/ VIN		<b>A082V9124S</b>	1
03a	Carpet, tunnel side, RH, LHD	Spec. colour/supply sample/ VIN		<b>A082V9126S</b>	1
04	Carpet, sill, LH, RHD	Spec. colour/supply sample/ VIN		<b>A082V9129S</b>	1
04a	Carpet, sill, LH, LHD	Spec. colour/supply sample/ VIN		<b>A082V9131S</b>	1
05	Carpet, sill, RH, RHD	Spec. colour/supply sample/ VIN		<b>A082V9128S</b>	1
05a	Carpet, sill, RH, LHD	Spec. colour/supply sample/ VIN		<b>A082V9130S</b>	1
06	Carpet, wheelarch inner, LH	Spec. colour/supply sample/ VIN		<b>A082V9133S</b>	1
07	Carpet, wheelarch inner, RH	Spec. colour/supply sample/ VIN		<b>A082V9132S</b>	1
08	Carpet, toe-board, LH	Spec. colour/supply sample/ VIN		<b>A082V9135S</b>	1
09	Carpet, toe-board, RH	Spec. colour/supply sample/ VIN		<b>A082V9134S</b>	1
10	Carpet, wheelarch outer, LH	Spec. colour/supply sample/ VIN		<b>A082V9137S</b>	1
11	Carpet, wheelarch outer, RH	Spec. colour/supply sample/ VIN		<b>A082V9136S</b>	1
12	Carpet, floor, LH	Spec. colour/supply sample/ VIN		<b>B082V8855J</b>	1
13	Carpet, floor, RH	Spec. colour/supply sample/ VIN		<b>B082V8856J</b>	1
14	Parking Brake Gaiter	Spec. colour/supply sample/ VIN		<b>A082V7261J</b>	1
15	Carpet, front services compartment	Not illustrated		<b>A082V9103J</b>	1

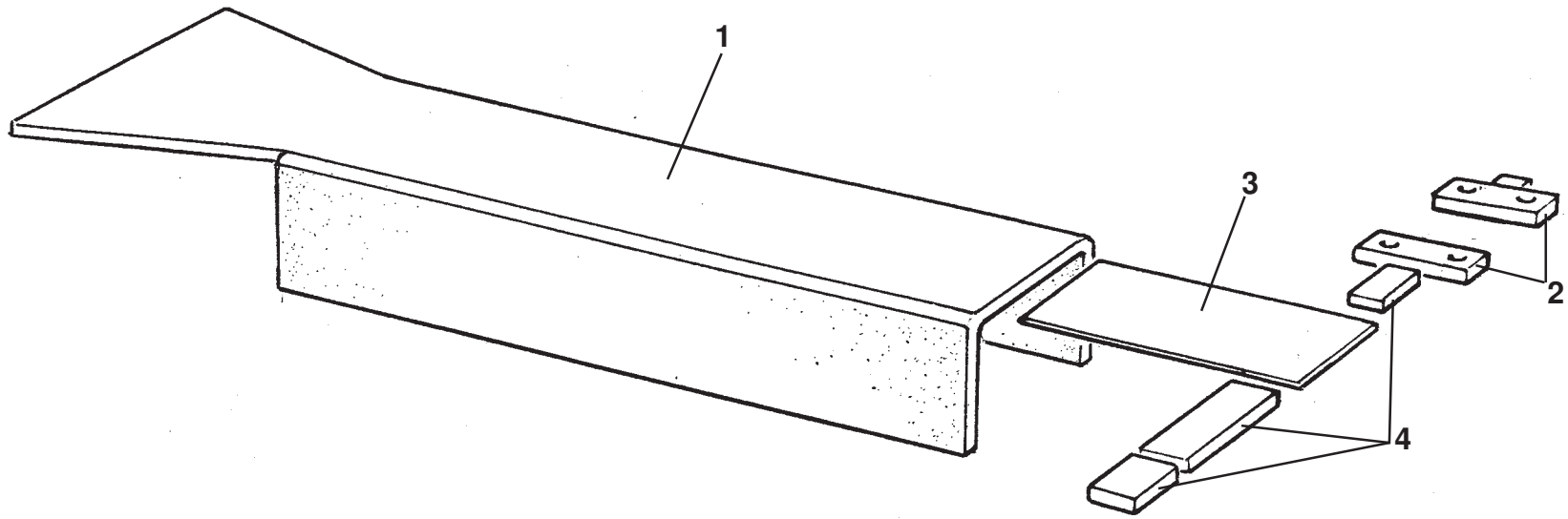


ESPRIT  
16.01

---

**Function Code 16.01 Passenger Compartment Sound Insulation**

<u>Dep</u>	<u>Part Description</u>	<u>Remarks</u>	<u>Option</u>	<u>Part Number</u>	<u>Qty</u>
01	Foam, front floor, RH			A082V8082K	1
02	Foam, tunnel side, RH			A082V8088K	1
02a	Foam, tunnel side infill			A082V8214K	2
03	Foam, tunnel top			A082V8086K	1
04	Foam, tunnel side, LH			A082V8087K	1
04a	Foam, tunnel side extension, LH			A082V8089K	1
05	Foam, front floor, LH			A082V8081K	1
06	Foam, rear bulkhead, upper			A082V9122K	1
07	Foam, rear bulkhead, lower			A082V9123K	2
08	Felt, sound insulation, front wheelarch, LH			A082V8085K	1
09	Felt, sound insulation, front wheelarch, RH			A082V8086K	1

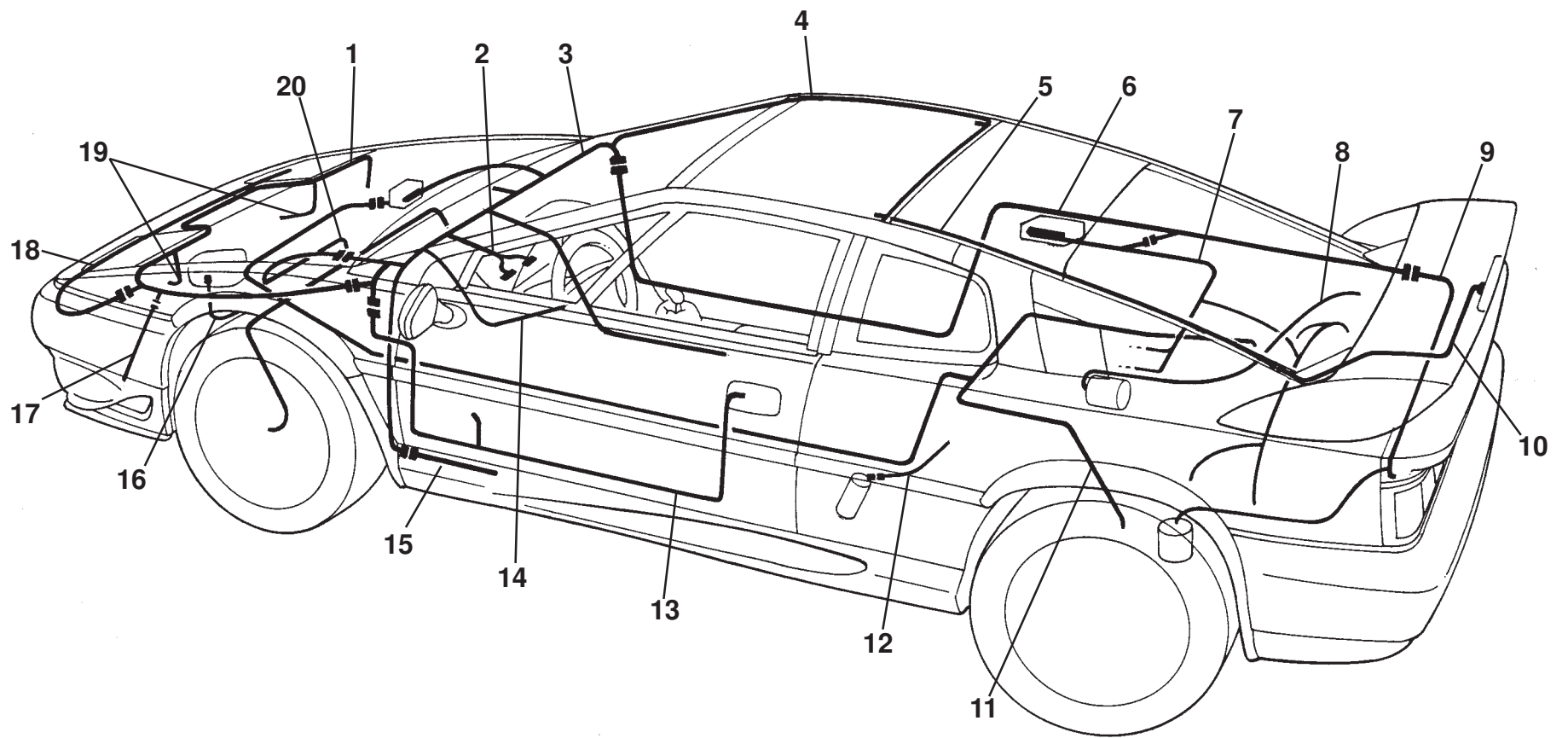


ESPRIT  
16.02

---

**Function Code 16.02 Body Underside Sound Insulation**

<u>Dep</u>	<u>Part Description</u>	<u>Remarks</u>	<u>Option</u>	<u>Part Number</u>	<u>Qty</u>
01	Foam, tunnel underside	Fitted to chassis		<b>B082V8092K</b>	1
02	Foam, pedal box seal	Fitted to chassis		<b>A082V5726K</b>	2
03	Foam, anti-squeak	Fitted to chassis		<b>A082V7273K</b>	1
04	Foam, chassis front crossmember	Fitted to chassis		<b>A082V5727K</b>	1



ESPRIT  
17.01



**Function Code 17.01 Harnesses, Leads**

<u>Dep</u>	<u>Part Description</u>	<u>Remarks</u>	<u>Option</u>	<u>Part Number</u>	<u>Qty</u>
01	Harness, front			<b>B082M4950F</b>	1
02	Harness, instrument panel, LHD		'98 MY	<b>A082M5047F</b>	1
02a	Harness, instrument panel, LHD		Prior to '98 MY	<b>C082M4943F</b>	1
02b	Harness, instrument panel, RHD		'98 MY	<b>A082M5048F</b>	1
02c	Harness, instrument panel, RHD		Prior to '98 MY	<b>C082M4944F</b>	1
03	Harness, fascia, LHD		Prior to '02 MY	<b>B082M5049F</b>	1
03a	Harness, fascia, RHD		Prior to '02 MY	<b>B082M5050F</b>	1
03b	Harness, fascia, LHD		2002 MY	<b>B082M5120F</b>	1
03c	Harness, fascia, RHD		2002 MY	<b>B082M5121F</b>	1
03d	Harness, fascia, RHD, Australia spec.	With seat/ignition buzzer	Australia only	<b>A082M5072K</b>	1
04	Cable, heated rear window	Cars with aerofoil	V8, Sport 350	<b>C082M4675F</b>	1
04a	Cable, heated rear window	Cars without aerofoil	V8 GT, GT3	<b>A082M4676F</b>	1
05	Harness, tailgate			<b>B082M4954F</b>	1
06	Harness, rear	Incl. battery cables, see 17.29	V8, V8 GT, Sport 350, '98 MY	<b>C082M5014F</b>	1
06a	Harness, rear	Incl. battery cables, see 17.29	V8, Oct. '96 on	<b>B082M5014F</b>	1
06b	Harness, rear	Incl. battery cables, see 17.29	V8, Prior to Oct '96	<b>A082M5014F</b>	1
06d	Harness, rear		GT3, prior to '98 MY	<b>B082M4945F</b>	1
06e	Harness, rear		GT3, '98 MY on	<b>C082M4945F</b>	1
07	Harness, engine management	Fitted to engine	V8	<b>C082M5012F</b>	1
07a	Harness, engine management	Fitted to engine	GT3	<b>A082M4960F</b>	1
08	Harness, starter			<b>A082M5013F</b>	1

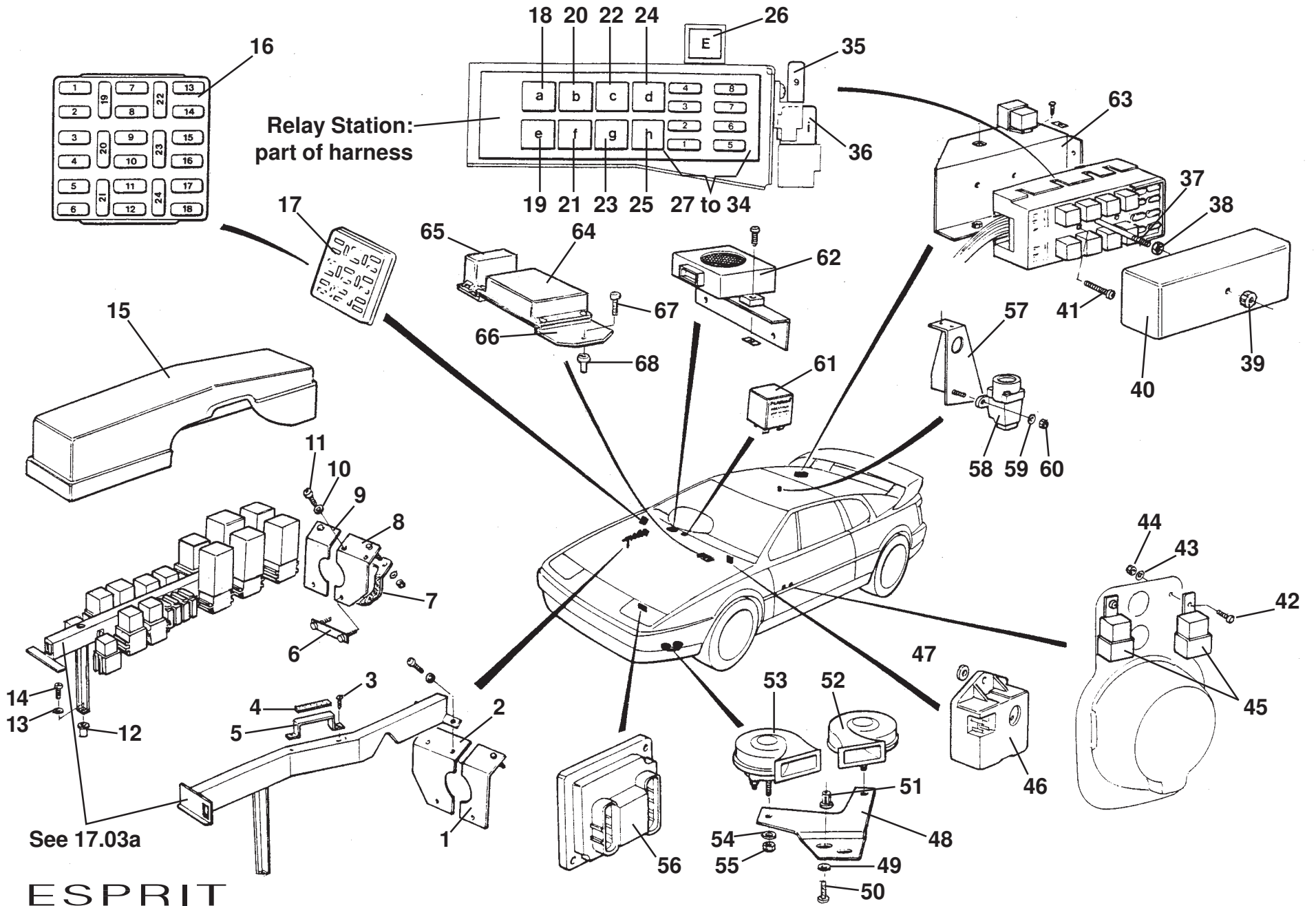
18

**Function Code 17.01 Harnesses, Leads**

<u>Dep</u>	<u>Part Description</u>	<u>Remarks</u>	<u>Option</u>	<u>Part Number</u>	<u>Qty</u>
09	Harness, rear lighting		Prior to 2002 MY	E082M4662F	1
09a	Harness, rear lighting		2002 MY on	A082M5126F	1
10	Harness, aerofoil, CHMSL	Aerofoil CHMSL, tailgate mounted	V8, Sport 350 98 MY on	A082M5074F	1
10a	Harness, link, CHMSL	to aerofoil CHMSL tailgate mounted	V8, Sport 350 98 MY on	A082M5073F	1
10b	Harness, CHMSL	Aerofoil CHMSL, body mounted	V8, prior to '98 MY	A082M5022F	1
11	Harness, wheel speed sensor, RHD		V8, prior to '98 MY	A082M5017F	1
11a	Harness, wheel speed sensor, LHD		V8, prior to '98 MY	A082M5018F	1
11b	Harness, wheel speed sensor, RHD		V8, '98 MY on	B082M5017F	1
11c	Harness, wheel speed sensor, LHD		V8, '98 MY on	B082M5018F	1
12	Harness, jumper, recirculation pump			A082M5029K	1
13	Harness, driver's door			C082M4914F	1
13a	Harness, passenger's door			C082M4915F	1
13b	Harness, door conversion, federal	Without one touch window lift	USA	A082M4938F	2
14	Harness, steering column		Non SIR	B082M4918F	1
14a	Harness, steering column		SIR	C082M4833F	1
15	Harness, parking brake switch			A082M4874F	1
16	Harness, washer bottle		'98 MY	A082M5078F	1
17	Harness, electric horns			B082M6558F	1
18	Harness, front bumper			A082M4949F	1

**Function Code 17.01 Harnesses, Leads**

<u>Dep</u>	<u>Part Description</u>	<u>Remarks</u>	<u>Option</u>	<u>Part Number</u>	<u>Qty</u>
19	Harness, inboard headlamp			<b>A082M4241F</b>	2
20	Harness, radiator fans, LHD			<b>B082M4968F</b>	1
20a	Harness, radiator fans, RHD			<b>B082M4969F</b>	1
21	Harness, purge solenoid valve	Not illustrated	USA '00 MY, ROW '01 MY	<b>A082M5107F</b>	1
22	Harness, OBD2 resister plug	Not illustrated		<b>A082M5036F</b>	1
23	Harness, driver SIR	Not illustrated	SIR	<b>E082M4797F</b>	1
23a	Harness, dual SIR	Not illustrated	Dual SIR	<b>A082M4951F</b>	1
24	Harness, oil pressure switch	Not illustrated	GT3	<b>B082M4946F</b>	1
25	Harness, oil pressure switch	Not illustrated	V8	<b>A082M5044F</b>	1
26	Harness, Alpine radio, federal	Not illustrated	USA	<b>A082M5037H</b>	1
27	Harness, satellite navigation system	Not illustrated	UK option, 2002 MY	<b>A082M5124F</b>	1
28	Harness, tyre pressure monitor, 'Smartire'	Not illustrated	'Final Edition'	<b>A082M5128F</b>	1



**ESPRIT**  
**17.03**

# Service Parts List



## Function Code 17.03 Horn, Inertia Switch, Modules, Fuses & Relays

<u>Dep</u>	<u>Part Description</u>	<u>Remarks</u>	<u>Option</u>	<u>Part Number</u>	<u>Qty</u>
01	Mounting, inner, cover plate, RHD			A082M4745F	1
02	Mounting, outer, cover plate, LHD			A082M4742F	1
03	Screw, No. 6 x 1/2", flg. hd. pozi. bracket fixing			A075W5012F	2
04	Foam Strip, self adhesive 10mm x 6mm			A100B0431V	1
05	Bracket, relay cover support, RHD			A082M4894F	1
06	Stud plate, mount to body			A082M4714F	1
07	Seal, bracket to body			A082M4703F	1
08	Mounting, outer, cover plate, LHD			A082M4741F	1
09	Mounting, inner, cover plate LHD,			A082M4743F	1
10	Washer, light spring, M5, cover to body			A082M4097F	1
11	Screw, M5 x 16, pan hd. pozi., cover to body			A082M5117F	2
12	Rawlnut, M5, strut to body			A075W6074F	1
13	Washer, internal shakeproof, M5, strut to body			A075W4045Z	1
14	Screw, M5 x 20, pan hd. pozi., strut to body			A075W5084F	1
15	Cover, relay mounting bracket, LHD			A082M5025J	1
15a	Cover, relay mounting bracket, RHD		A082M5026J R/B	B082M5026J	1
16	Fusebox			A089M6334F	1
16b	Screw, M5 x 20, pan hd. pozi., fusebox fix to bulkhead	Not illustrated		A075W5084F	2

Function Code: 17.03, Page: 1

Updated 5th January 2015

**Function Code 17.03 Horn, Inertia Switch, Modules, Fuses & Relays**

<u>Dep</u>	<u>Part Description</u>	<u>Remarks</u>	<u>Option</u>	<u>Part Number</u>	<u>Qty</u>
16c	Washer, flat, M5 x 10	Not illustrated		A075W4011Z	2
16d	Fuse, 2A, black	See Service Notes & Owners HB		A082M6316F	1
16e	Fuse, 3A, violet	See Service Notes & Owners HB		A082M6243F	1
16f	Fuse, 5A, orange	See Service Notes & Owners HB		A082M6245F	7
16g	Fuse, 7.5A, brown	See Service Notes & Owners HB		A082M6246F	3
16h	Fuse, 10A, red	See Service Notes & Owners HB		A082M6247F	3
16i	Fuse, 15A, light blue	See Service Notes & Owners HB		A082M6248F	6
16j	Fuse, 20A, yellow	See Service Notes & Owners HB		A082M6249F	2
17	Fusebox Lid			A082M6194F	1
18	Relay Double contact 2 x 15A	Coolant pump		B082M6182F	1
19	Relay Double contact 2 x 15A	Oxygen sensor heater control		B082M6182F	1
20	Relay Double contact 2 x 15A	Secondary fuel pump		B082M6182F	1
21	Relay Double contact 2 x 15A	Fuel filler flap		B082M6182F	1
22	Relay Double contact 2 x 15A	Primary fuel pump & injectors		B082M6182F	1
23	Relay Double contact 2 x 15A	AC compressor		B082M6182F	1
24	Relay Double contact 2 x 15A	Ignition power		B082M6182F	1
25	Relay Double contact 2 x 15A	Starter motor		B082M6182F	1
26	Fuse, 10A, red	ECM power	GT3	A082M6247F	1
27	Fuse, 25A, clear	Fuel filler flaps		A082M6250F	1
28	Fuse, 15A, light blue	Secondary fuel pump		A082M6248F	1
29	Fuse, 5A, orange	ECM & coolant pump		A082M6245F	1

18

**Function Code 17.03 Horn, Inertia Switch, Modules, Fuses & Relays**

<u>Dep</u>	<u>Part Description</u>	<u>Remarks</u>	<u>Option</u>	<u>Part Number</u>	<u>Qty</u>
30	Fuse, 25A, clear	Primary fuel pump & injectors		A082M6250F	1
31	Fuse, 15A, light blue	Ignition coils		A082M6248F	1
32	Fuse, 10A, red	AC compressor & reverse lamps		A082M6247F	1
33	Fuse, 10A, red	engine ignition supply		A082M6247F	1
34	Fuse, 7.5A, brown	Ignition coils		A082M6246F	1
35	Fuse, 30A, green	Vacuum pump	GT3, '98 MY on	A082M6251F	1
36	Module, vacuum pump control		GT3, '98 MY on	A082M6669F	1
37	Stud, relay cover fixing			B082M4984F	1
38	Nut, M6, relay cover fixing			A075W3020Z	1
39	Knob, knurled, M6, relay cover fixing			A082W6468F	1
40	Cover, rear relay station			A082B5239K	1
41	Screw, M6 x 50, pan hd. pozi., relay station fixing			A100W5145F	2
42	Screw, M5 x 10, pan hd, pozi., window lift relay fixing			A082W5097F	2
43	Washer, flat, 1/8 x 3/8", window lift relay fixing			A075W4001Z	4
44	Nyloc Nut, M5, window lift relay fixing			A075W3008Z	4
45	Relay, window lift			A100M6104F	4
46	Module, seat belt buzzer		USA	A082W6608F	1
47	Washer, flat, M5 x 16 x 1.6			A082W4115F	1
48	Bracket, horn mounting			A082M4934F	1
49	Washer, flat, M5 x 10 x 1.0, bracket fixing			A075W4011Z	2
50	Setscrew, M5 x 20mm, bracket fixing			A075W1025F	2

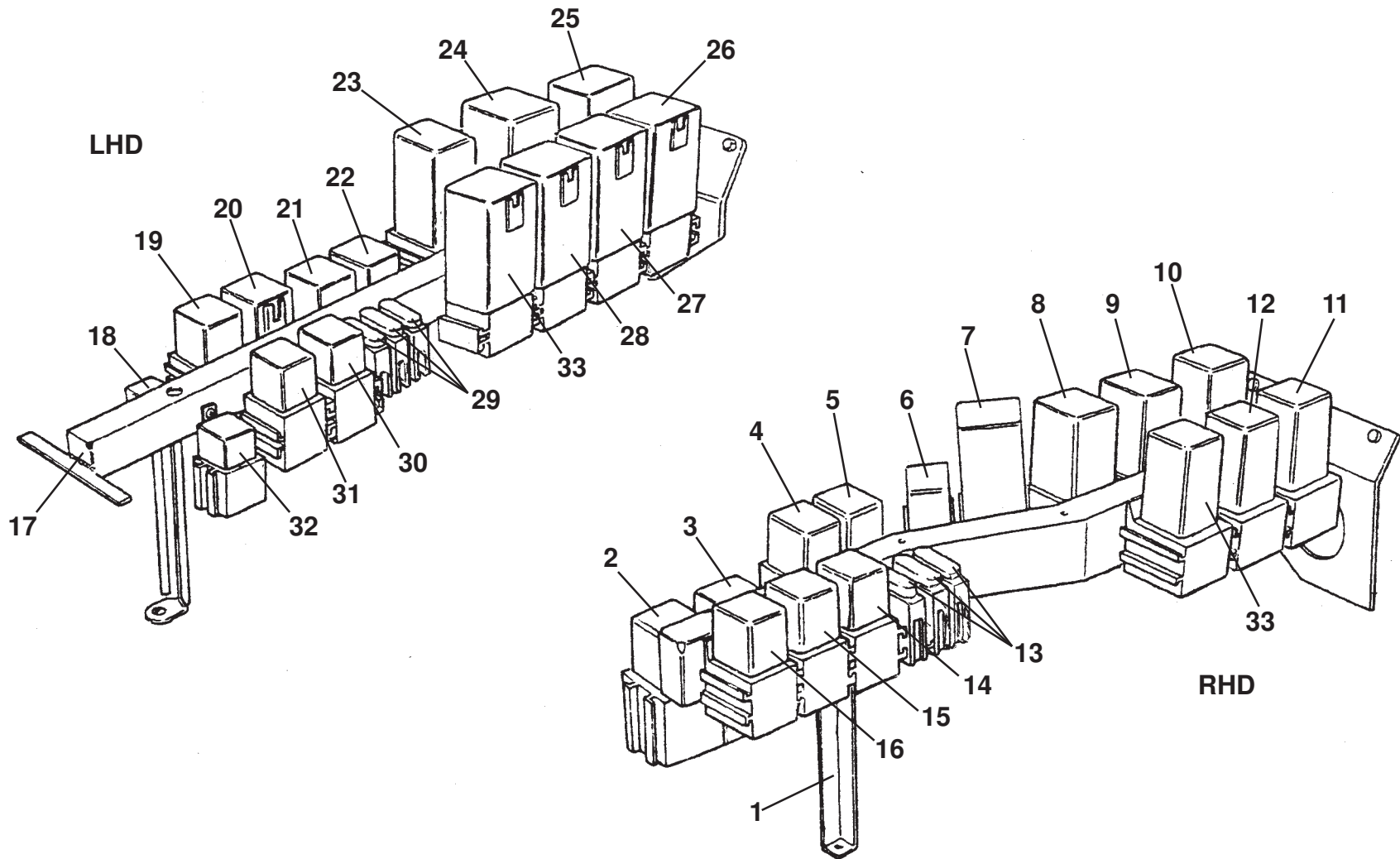
18

**Function Code 17.03 Horn, Inertia Switch, Modules, Fuses & Relays**

<u>Dep</u>	<u>Part Description</u>	<u>Remarks</u>	<u>Option</u>	<u>Part Number</u>	<u>Qty</u>
51	Jacknut, M5, bracket fixing			A076W3042F	2
52	Horn, lo-note			A100M6031F	1
53	Horn, hi-note			A100M6030F	1
54	Washer, flat, M6 x 18 x 1.0, horn fixing			B082W4018F	2
55	Nut, M6, horn fixing			A075W3020Z	2
56	Control Module, headlamp lift			A082M6363F	1
57	Bracket, inertia switch			A082U7799F	1
58	Inertia Switch			A082M6598F	1
59	Washer, M4, flat, switch to bracket			A082W4099F	2
60	Nyloc Nut, M4, switch to bracket			A075W3049F	2
61	Flasher Unit, indicators & hazard			A083M6303F	1
61a	Flasher Unit, indicators & hazard		USA, 2002 MY on	A082M6693F	1
62	Module, logic			C082M4866F	1
63	Bracket, relay station mounting			A082M5021F	1
64	Water & Solenoid Valves Control Module		'98 MY on	A082M5075F	1
65	AC Control Amplifier Module		'98 MY on	A082M4766K	1
66	Bracket, modules & solenoid mounting	For solenoid see 18.11	'98 MY on	A082M5056F	1
67	Screw, M4 x 20, pan hd. pozi. module/solenoid to bracket	Also bracket fix. to body	'98 MY on	A075W5081F	3
68	Rawlnut, M4, rubber, bracket to body		'98 MY on	B082W6350F	3
69	CDL Module	Not illustrated		A082M6529F	1

18





ESPRIT  
17.03a

# Service Parts List *V8*



## Function Code 17.03a Main Relay Stations

<u>Dep</u>	<u>Part Description</u>	<u>Remarks</u>	<u>Option</u>	<u>Part Number</u>	<u>Qty</u>
01	Bracket, relay mounting, RHD			C082M4879F	1
02	Relay,Relay Single Contact Changeover 70A	Radiator fan		A082M6589F	1
03	Relay,Relay Single Contact Changeover 70A	Ignition power		A082M6589F	1
04	Relay Single Contact Changeover 30A	Headlights, dip beam		C079M6141F	1
05	Relay Double contact 2 x 15A	Headlights, main beam,		B082M6182F	1
06	Relay Single Contact Changeover 30A	Start drop-out		C079M6141F	1
07	Relay, rear fog lamp module			A111M0067F	1
08	Relay, rheostat module	Panel illumination	V8 only	B082M4847F	1
09	Relay, low fuel delay module			D089M6330F	1
10	Relay, wash-wipe delay module			A082M6457F	1
11	Relay, window voltage module			C082M6531F	1
11a	Bridging Link, voltage module	Replaces relay, item 11 when item is obsolete (without additional window functions)		A082M6595F	1
12	Relay, headlamp pod delay module			C082M6325F	1
13	Fuse, 15A, light blue	RH radiator fan,		A082M6248F	1
13a	Fuse, 15A, light blue	Centre radiator fan,		A082M6248F	1
13b	Fuse, 15A, light blue	LH radiator fan,		A082M6248F	1
14	Relay Single Contact Changeover 30A	Front fog lamp		C079M6141F	1

*V8*

**Function Code 17.03a Main Relay Stations**

<u>Dep</u>	<u>Part Description</u>	<u>Remarks</u>	<u>Option</u>	<u>Part Number</u>	<u>Qty</u>
15	Relay Single Contact Changeover 30A	Horns		C079M6141F	1
16	Relay Single Contact Changeover 30A	Radio key-in		C079M6141F	1
17	Bracket, relay mounting, LHD			C082M4739F	1
18	Relay,Relay Single Contact Changeover 70A	Ignition power		A082M6589F	1
19	Relay Single Contact Changeover 30A	Headlights, dip beam		C079M6141F	1
20	Relay Double contact 2 x 15A	Headlights, main beam		B082M6182F	1
21	Relay Single Contact Changeover 30A	Start drop-out		C079M6141F	1
22	Relay Single Contact Changeover 30A	Radio key-in		C079M6141F	1
23	Relay, rheostat module	Panel illumination	V8 only, A082M6457F R/B	A082M5127S	1
24	Relay, low fuel delay module			D089M6330F	1
25	Relay, wash-wipe delay module			A082M6457F	1
26	Relay, window voltage module		ROW, except GT3	C082M6531F	1
26a	Bridging Link, voltage module	Replaces relay, item 26 when obsolete (without additional window functions)	GT3, plus USA cars	A082M6595F	1
27	Relay, headlamp pod delay module			C082M6325F	1
28	Relay, rear fog lamp module			A111M0067F	1
29	Fuse, 15A, light blue	RH radiator fan		A082M6248F	1
29a	Fuse, 15A, light blue	Centre radiator fan		A082M6248F	1
29b	Fuse, 15A, light blue	LH radiator fan		A082M6248F	1
30	Relay Single Contact Changeover 30A	LH radiator fan		C079M6141F	1

18

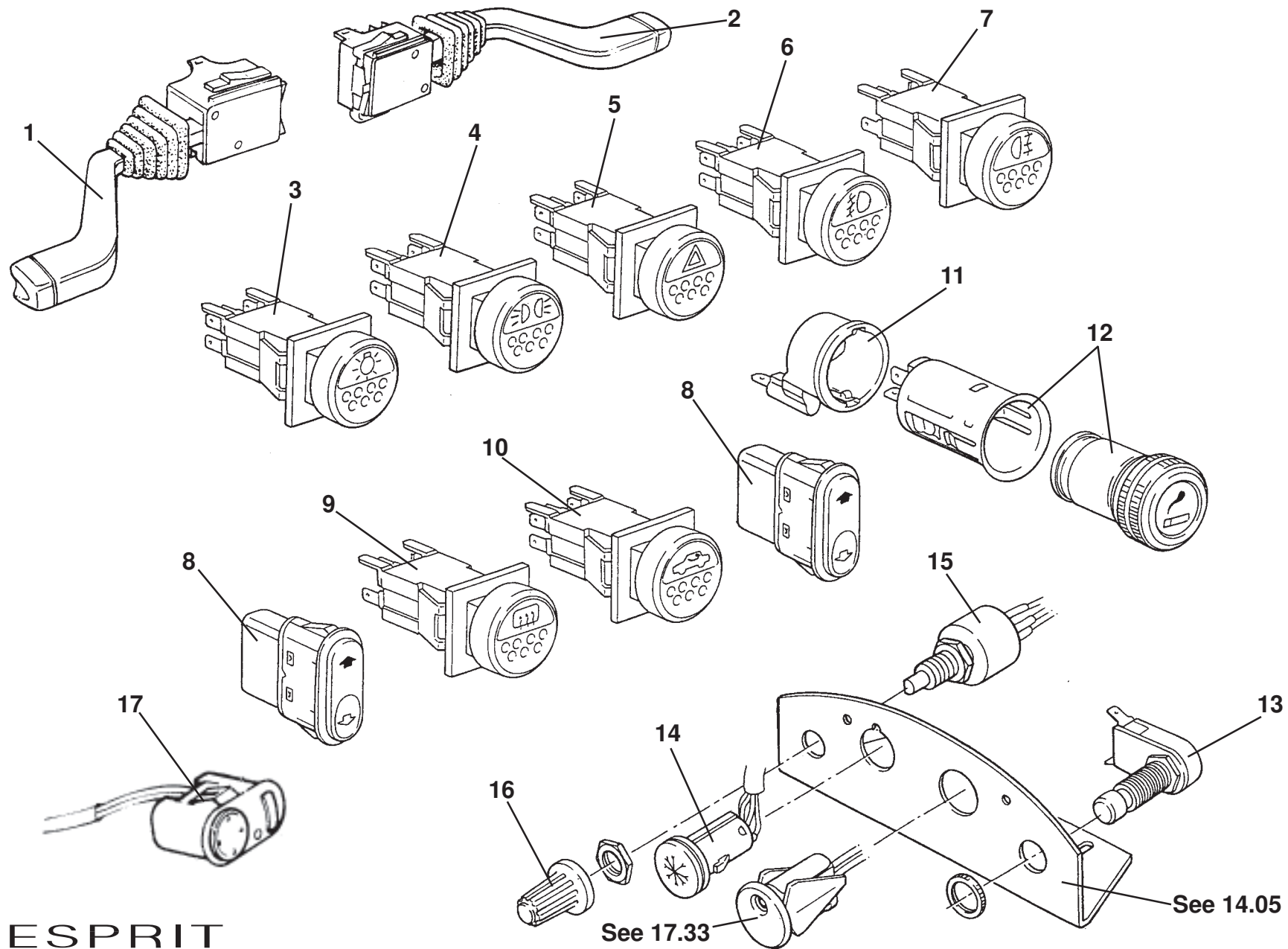
---

**Function Code 17.03a Main Relay Stations**

<u>Dep</u>	<u>Part Description</u>	<u>Remarks</u>	<u>Option</u>	<u>Part Number</u>	<u>Qty</u>
31	Relay Single Contact Changeover 30A	Horns		<b>C079M6141F</b>	1
32	Relay, radiator fan			<b>A082M6589F</b>	1
33	Relay, brake warning lamp check module		2002 MY on	<b>B082M6688F</b>	1

---

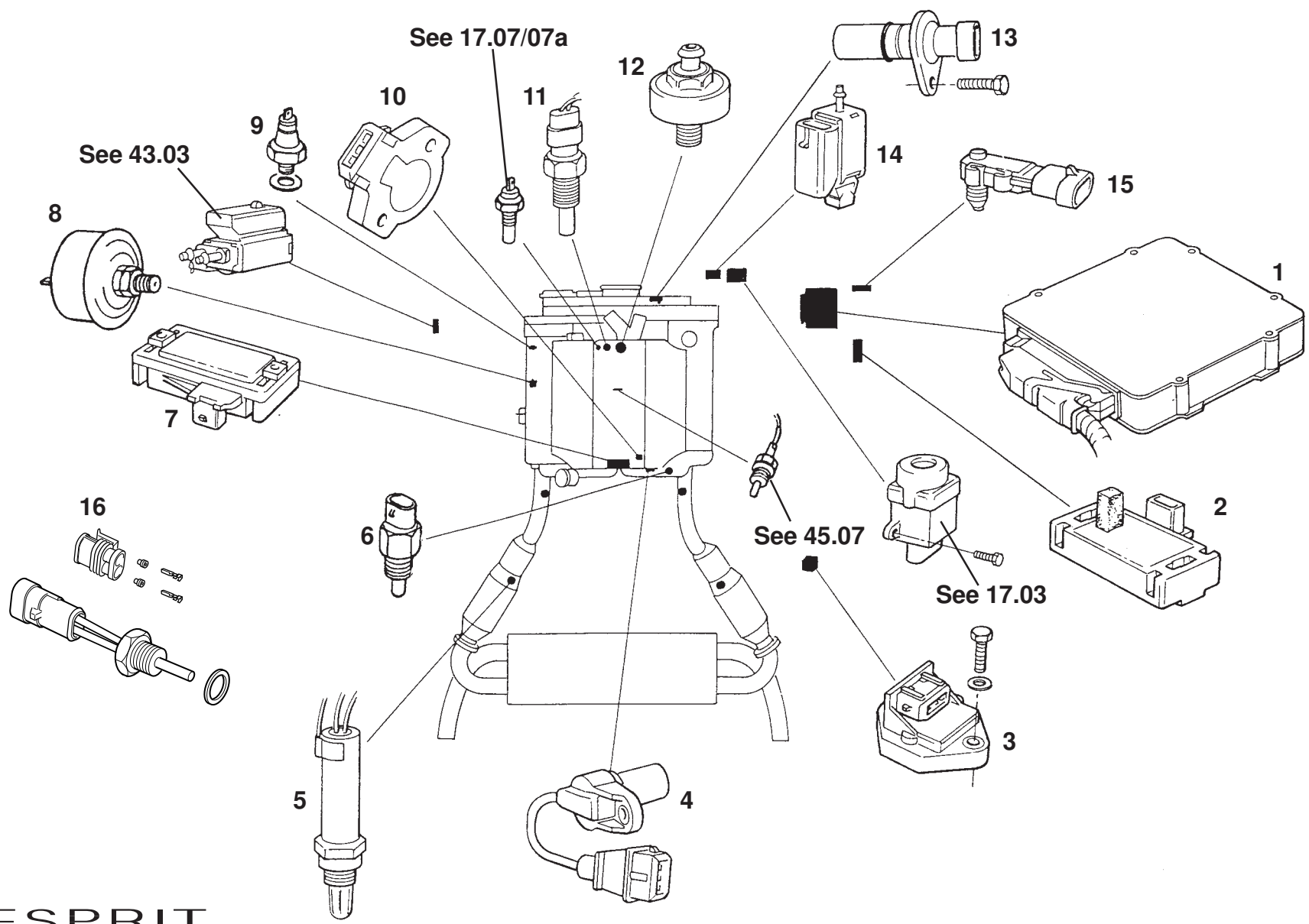
18



**ESPRIT**  
**17.05**

**Function Code 17.05 Interior Switches, Auxiliary Power Socket**

<u>Dep</u>	<u>Part Description</u>	<u>Remarks</u>	<u>Option</u>	<u>Part Number</u>	<u>Qty</u>
01	Column Switch, LH, indicators/dip/flash		Non SIR	A100M6048F	1
01a	Column Switch, LH, indicators/dip/flash		SIR	A082M6455F	1
02	Column Switch, RH, windscreen wipe/wash		Non SIR	A100M6049F	1
02a	Column Switch, RH, windscreen wipe/wash		SIR	B082M6454F	1
03	Switch, master lighting			A111M0002F	1
04	Switch, sidelamps			A111M0001F	1
05	Switch, hazard			A111M6016F	1
06	Switch, front fog			A082M6642F	1
07	Switch, rear fog			A111M6015F	1
08	Switch, window lift			A082M6646F	2
09	Switch, heated rear window			A111M6018F	1
10	Switch, AC recirculation		AC cars	A111M6068F	1
11	Bezel, cigar lighter, green			A082M6665F	1
12	Cigar Lighter			B100M6041F	1
13	Switch, fuel flap release			A082M6643F	1
14	Switch, window obstruction sensing over-ride		Except USA	A082M6530F	1
14a	Blanking Grommet, tunnel switch panel	When item 14 is not used	USA only	A082U6235F	1
15	Panel Lamps Rheostat Assembly	Includes item 16	V8	A082M4861F	1
16	Knob, panel lamps rheostat		V8	A082M6475H	1
17	Switch, mirror control			A082M6521F	1



**ESPRIT**  
**17.06**

*Updated 6th February 2013*

# Service Parts List



## Function Code 17.06 Engine Management & Sensors

<u>Dep</u>	<u>Part Description</u>	<u>Remarks</u>	<u>Option</u>	<u>Part Number</u>	<u>Qty</u>
01	Electronic Control Module ( ECM)	Non EGR/Air injection	Europe, V8, '97-'98 MY	<b>A918E0282K</b>	1
01a	Electronic Control Module ( ECM)	EGR/Air injection	USA, V8, '97-'98 MY	<b>A918E0283K</b>	1
01b	Electronic Control Module ( ECM)	Non EGR/Air injection	Europe, V8GT, '98 MY	<b>A918E0351K</b>	1
01c	Electronic Control Module ( ECM)	Non EGR/Air injection	Europe, Sport 350	<b>A918E0375K</b>	1
01d	Electronic Control Module ( ECM)	Non EGR/Air injection	Europe, V8, '99-'00 MY	<b>A918E0394K</b>	1
01e	Electronic Control Module ( ECM)	Non EGR/Air injection	Europe, V8GT, '99-'00 MY	<b>A918E0395K</b>	1
01f	Electronic Control Module ( ECM)	EGR/Air injection	USA, V8, '99-'01 MY: Europe, V8, '01-'02 MY	<b>B918E0376K</b>	1
01g	Electronic Control Module ( ECM)	EGR/Air injection	USA, V8, '02 MY	<b>B918E6101K</b>	1
01h	Electronic Control Module ( ECM)	2.0 litre	GT3	<b>A920E6009K</b>	1
02	Baro Sensor			<b>A918E6081F</b>	1
03	Rough Road Sensor			<b>A918E6052F</b>	1
04	Cam Angle Sensor			<b>A918E6010F</b>	1
05	Oxygen Sensor		V8	<b>A918E0322F</b>	4
05a	Oxygen Sensor		GT3	<b>B910E6930F</b>	1
06	Inlet Air Temperature (IAT) Sensor			<b>A918E6065F</b>	1
06a	Inlet Air Temperature (IAT) Sensor	2.0 litre	GT3	<b>A910E6927F</b>	1
07	MAP Sensor			<b>A910E6934F</b>	1
07a	Seal, Map Sensor	Not illustrated		<b>A918E6041F</b>	1

Function Code: 17.06, Page: 1

*Updated 2nd February 2015*

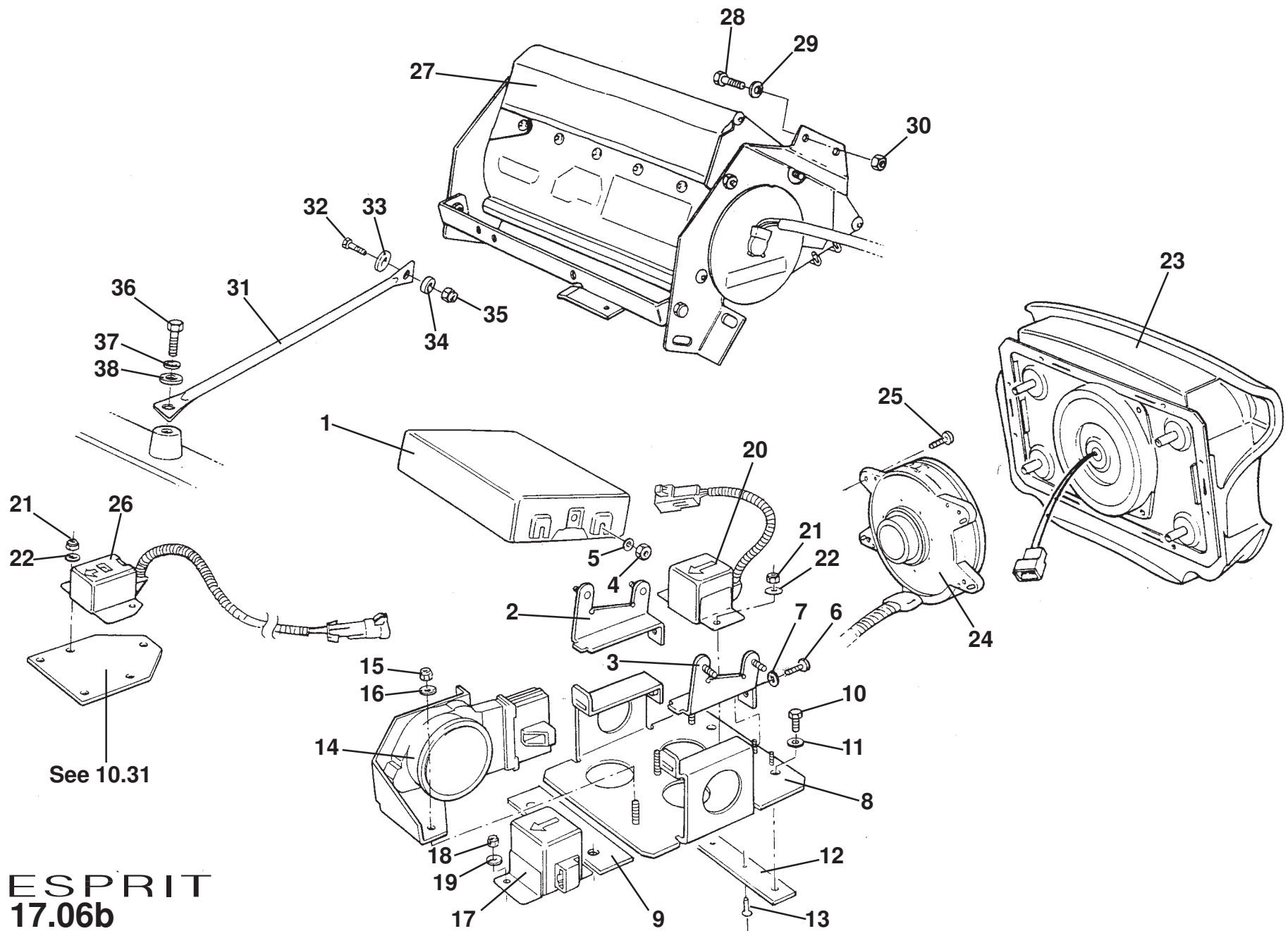


---

**Function Code 17.06 Engine Management & Sensors**

<u>Dep</u>	<u>Part Description</u>	<u>Remarks</u>	<u>Option</u>	<u>Part Number</u>	<u>Qty</u>
08	Transducer Oil Pressure, gauge		Prior to '98 MY	A082N4038F	1
09	Oil Pressure Switch, tell-tale lamp	Without washer, replacement part is larger than original		A082N4039F	1
10	Throttle Position Switch (TPS)		V8	A918E0005H	1
10a	Throttle Position Switch (TPS)		GT3	A910E6961K	1
11	Engine Coolant Temperature Sensor, ECM			A910E6928F	1
12	Knock Sensor			C910E6937F	1
13	Crankshaft Speed Sensor		A910E6939F R/B	A918E6080F	1
14	Wastegate Solenoid Valve			A082M6420F	1
15	Fuel tank pressure sensor			A082L6205H	1
16	Oil Temperature Sensor Kit	In sump drain plug	'98 MY on	A082N6076F	1
17	Bracket, ECM mounting	Not illustrated		A082L4214F	1
18	Bolt, M5 x 30mm, flange hd., ECM to bracket	Not illustrated		A918W5209F	4
19	Washer, spring, M5, ECM to bracket	Not illustrated		A075W4045Z	4
20	Screw, No.10 x 0.5", pozi., bracket to tank board, RH	Not illustrated, black finish		A075W5040Z	4

---



**ESPRIT**  
**17.06b**

# Service Parts List



## Function Code 17.06b SIR Inflator Modules

<u>Dep</u>	<u>Part Description</u>	<u>Remarks</u>	<u>Option</u>	<u>Part Number</u>	<u>Qty</u>
01	Module, diagnostic & energy reserve (DERM)	Supplied on exchange only basis	Dual SIR	A082M6576F	1
01a	Module, diagnostic & energy reserve (DERM)	Supplied on exchange only basis	Driver SIR	A082M6446F	1
02	Bracket, DERM mounting, RH			A082M5096F	1
03	Bracket, DERM mounting, LH			A082M5095F	1
04	Nyloc Nut, M4, DERM to bracket			A075W3049F	4
05	Washer, flat, M4, DERM to bracket			A082W4099F	4
06	Screw, M4 x 12, pan hd. pozi., brackets fixing			A100W5143F	2
07	Washer, shakeproof, M4, brackets fixing			A075W4086F	2
08	Bracket, DERM/sensors mounting, dual airbag		Dual SIR	A082M5094F	1
08a	Bracket, DERM/sensors mounting, single airbag		Driver SIR	A082M5099F	1
09	Plate, bracket retaining			A082M5092F	1
10	Screw, M6 x 16, hex. hd., plate/bracket to body			A075W1028Z	4
11	Washer, flat, M6, plate/bracket to body			A075W4013Z	4
12	Nut Plate, plate/bracket to body			A082M5093F	2
13	Pop Rivet, nut plate to body			A075W6071Z	2
14	Arming Sensor, dual pole	Includes mounting bracket	Dual SIR	A082M4964J	1
15	Nyloc Nut, M6, dual pole sensor to bracket		Dual SIR	A075W3009Z	2
16	Washer, flat, M6 x 12, dual pole sensor to bracket		Dual SIR	A075W4013Z	2

**Function Code 17.06b SIR Inflator Modules**

<u>Dep</u>	<u>Part Description</u>	<u>Remarks</u>	<u>Option</u>	<u>Part Number</u>	<u>Qty</u>
17	Arming Sensor		Driver SIR	A082M6445F	1
18	Nyloc Nut, M4, arming sensor to bracket		Driver SIR	A075W3049F	2
19	Washer, flat, M4, arming sensor to bracket		Driver SIR	A082W4099F	2
20	Sensor, pasenger compartment discriminating		Driver/dual SIR	A082M6444F	1
21	Nyloc Nut, M6, sensors fixing			A075W3009Z	4
22	Washer, flat, M6, sensors fixing			A075W4013Z	4
23	Inflator Module (airbag), driver		Driver/dual SIR	A082H4034F	1
24	Rotary Connector		Driver/dual SIR	A082M6456F	1
25	Screw, M3 x 16, pan hd. pozi., connector to column		Driver/dual SIR	A082W5110F	4
26	Sensor, forward discriminating		Driver/dual SIR	A082M6443F	1
27	Inflator Module (airbag), passenger		Dual SIR, A082M4980S R/B	A082M6584F	1
28	Setscrew, M5 x 20, hex. hd., module top fixing		Dual SIR	A075W1025F	4
29	Washer, flat, M5, module top fixing		Dual SIR	A075W4011Z	4
30	Nyloc Nut, M5, module top fixing		Dual SIR	A075W3008Z	4
31	Strut, passenger module to chassis		Dual SIR	A082A4364F	1
32	Setscrew, M6 x 20, hex. hd., strut to module end plate		Dual SIR	A075W1030Z	1
33	Washer, flat, M6, strut to module end plate		Dual SIR	A075W4015Z	1
34	Washer, spacer, strut to module end plate		Dual SIR	A075W4014Z	1
35	Nyloc Nut, M6, strut to module end plate		Dual SIR	A075W3009Z	1
36	Setscrew, M6 x 30, hex. hd., strut to chassis			A075W1032Z	1
37	Washer, spring, M6, strut to chassis			A075W4035Z	1

18

---

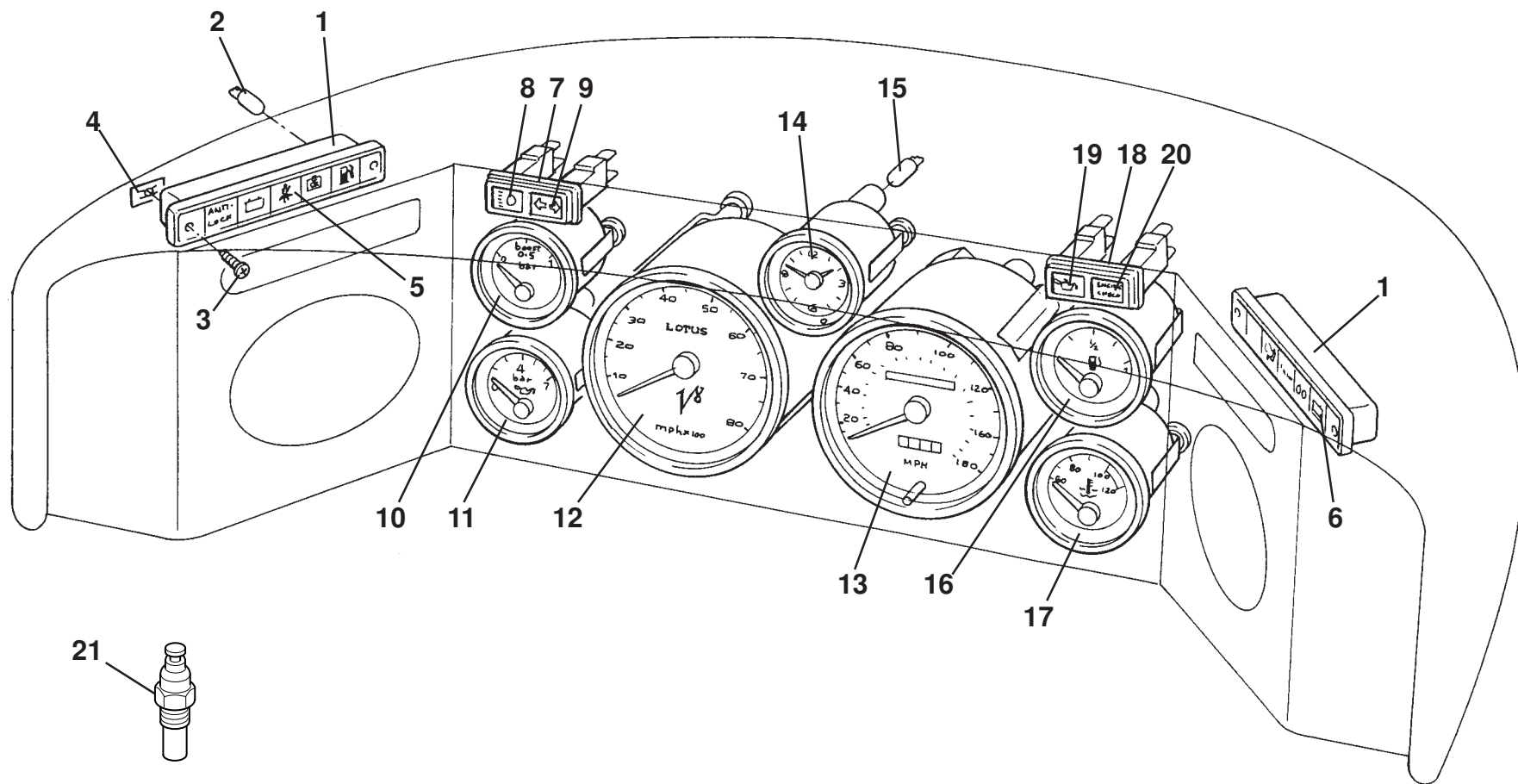
**Function Code 17.06b SIR Inflator Modules**

<u>Dep</u>	<u>Part Description</u>	<u>Remarks</u>	<u>Option</u>	<u>Part Number</u>	<u>Qty</u>
38	Washer, flat, M6, strut to chassis			A075W4013Z	1

---

---

18



**ESPRIT**  
**17.07**

*Updated 6th February 2013*

# Service Parts List *V8*



## Function Code 17.07 Instruments, Tell Tales, & Displays

<u>Dep</u>	<u>Part Description</u>	<u>Remarks</u>	<u>Option</u>	<u>Part Number</u>	<u>Qty</u>
01	Housing, tell tale lamp,			B082N6019F	2
02	Bulb 12v 2 w capless, tell tail warnings			A082N6078S	9
03	Screw			A075W5012Z	4
04	Spire Nut			A075W6013Z	4
05	Graphic Strip, LH			A082N4029F	1
06	Graphic Strip, RH			A082N4028F	1
07	Tell Tale Lamp, duel.			A082M6278F	2
08	Lens, tell tale lamp, main beam			A082M6356F	1
09	Lens, tell tale lamp, directional indicator.			A082M6355F	1
10	Boost Gauge, turbo	For transducer see 43.03		A082N4036F	1
11	Oil Pressure Gauge			A082N4035F	1
11a	Oil Pressure Transducer	Not illustrated	V8, GT3, prior to '98 MY	A082N4038F	1
12	Tachometer			A082N4050K	1
13	Speedometer, MPH		V8, GT3	B082N4030F	1
13a	Speedometer, KPH (300)		V8	A082N4051F	1
13b	Speedometer, KPH (260)		GT3	B082N4031F	1
14	Time Clock, analogue type			B082N4037F	1
15	Bulb 12v 2 w capless, time clock			A082N6077S	1

*V8*

Function Code: 17.07, Page: 1

Updated 6th February 2013

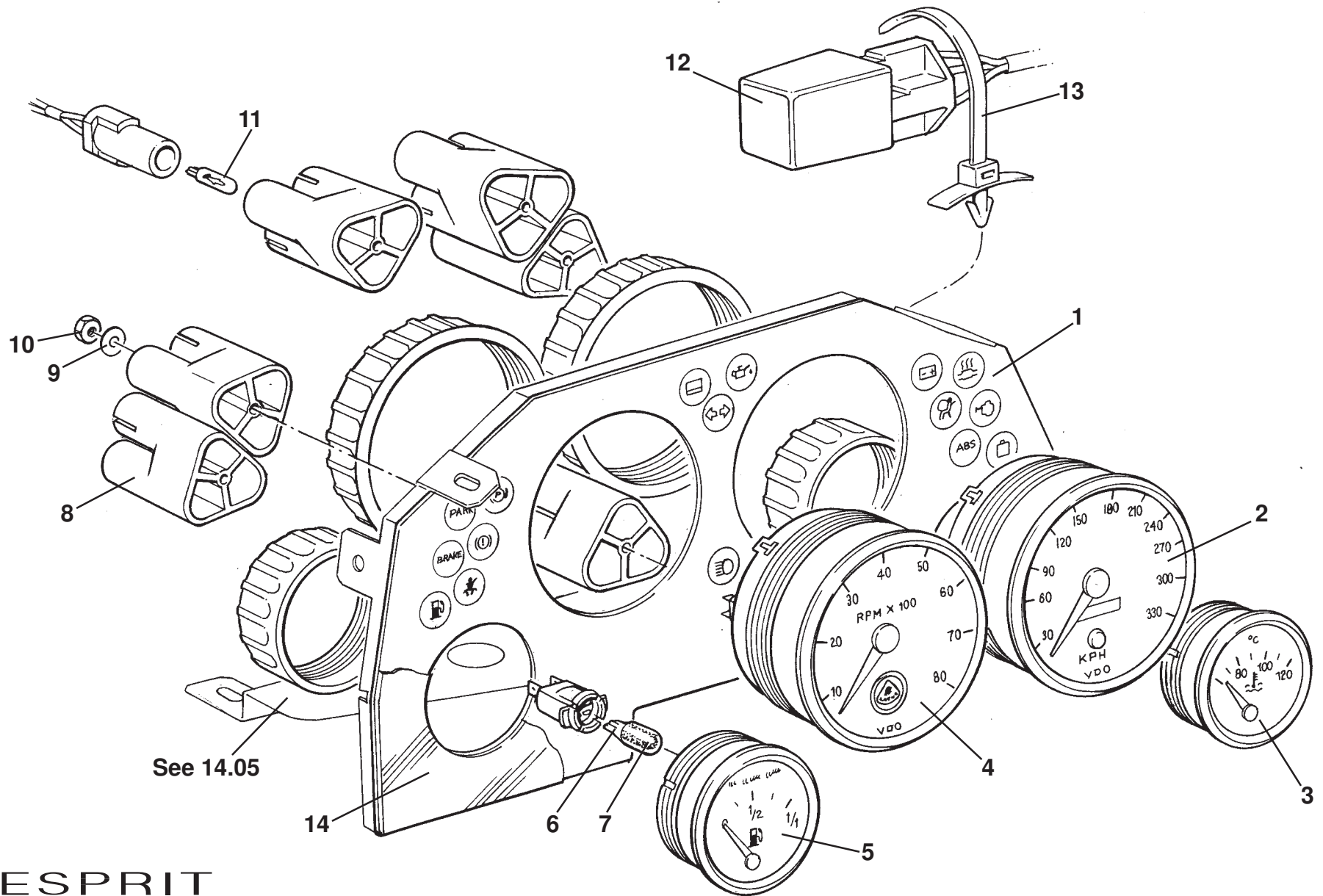
---

**Function Code 17.07 Instruments, Tell Tales, & Displays**

<u>Dep</u>	<u>Part Description</u>	<u>Remarks</u>	<u>Option</u>	<u>Part Number</u>	<u>Qty</u>
16	Fuel Gauge			B082N4033F	1
16a	Fuel Gauge Sender Unit	Not illustrated		A082N4041F	1
17	Water Temperature Gauge			A082N4034F	1
18	Tell Tale Lamp, dual			A082M6278F	1
19	Lens, tell tale lamp, low oil pressure			A082M6279F	1
20	Lens, tell tale lamp, check engine			A082M4750F	1
21	Water Temperature Sensor			A082N4040F	1

---





See 14.05

**ESPRIT**  
**17.07a**

# Service Parts List



## Function Code 17.07a Instruments, Tell Tales, & Displays.'98 MY on

<u>Dep</u>	<u>Part Description</u>	<u>Remarks</u>	<u>Option</u>	<u>Part Number</u>	<u>Qty</u>
01	Graphic's Panel			A082N4063F	1
02	Speedometer, MPH	VDO		A082N4056F	1
02a	Speedometer, KPH	VDO		A082N4057F	1
03	Coolant Temperature Gauge	VDO		A082N4060F	1
03a	Coolant Temperature Sensor			A082N6075F	1
04	Tachometer	VDO		A082N4058F	1
05	Fuel Gauge	VDO	Non USA, prior to '01 MY	B082N4059F	1
05a	Fuel Gauge, unleaded graphic	VDO	USA	B082N4070F	1
05b	Fuel Gauge, unleaded graphic	VDO, calibrated for smaller tanks	USA '00 MY on, non USA '01 MY on	A082L4336F	1
05c	Fuel Gauge Sender Unit	Not illustrated		A082N4061F	1
06	Bulb, 12v 2 w, capless, instrument illumination			A082N6077S	4
07	Bulb Diffuser Sleeve, green			A082N6069F	4
08	Bulb Holder, tell tale/warning lamps			A082N4068F	6
09	Washer, flat, M4 x 9 x 0.8			A082W4099F	6
10	Nut M4 nyloc, bulb holder fix.			A075W3049F	6
11	Bulb 12v 2 w, capless, tell tale/warning lamps			A082N6078S	18
12	Indicators Flasher Unit , 12v 42/98w			A083M6303F	1
13	Cable Tie, flasher unit fix.			A082W6519F	1



Function Code: 17.07a, Page: 1

Updated 2nd February 2015

---

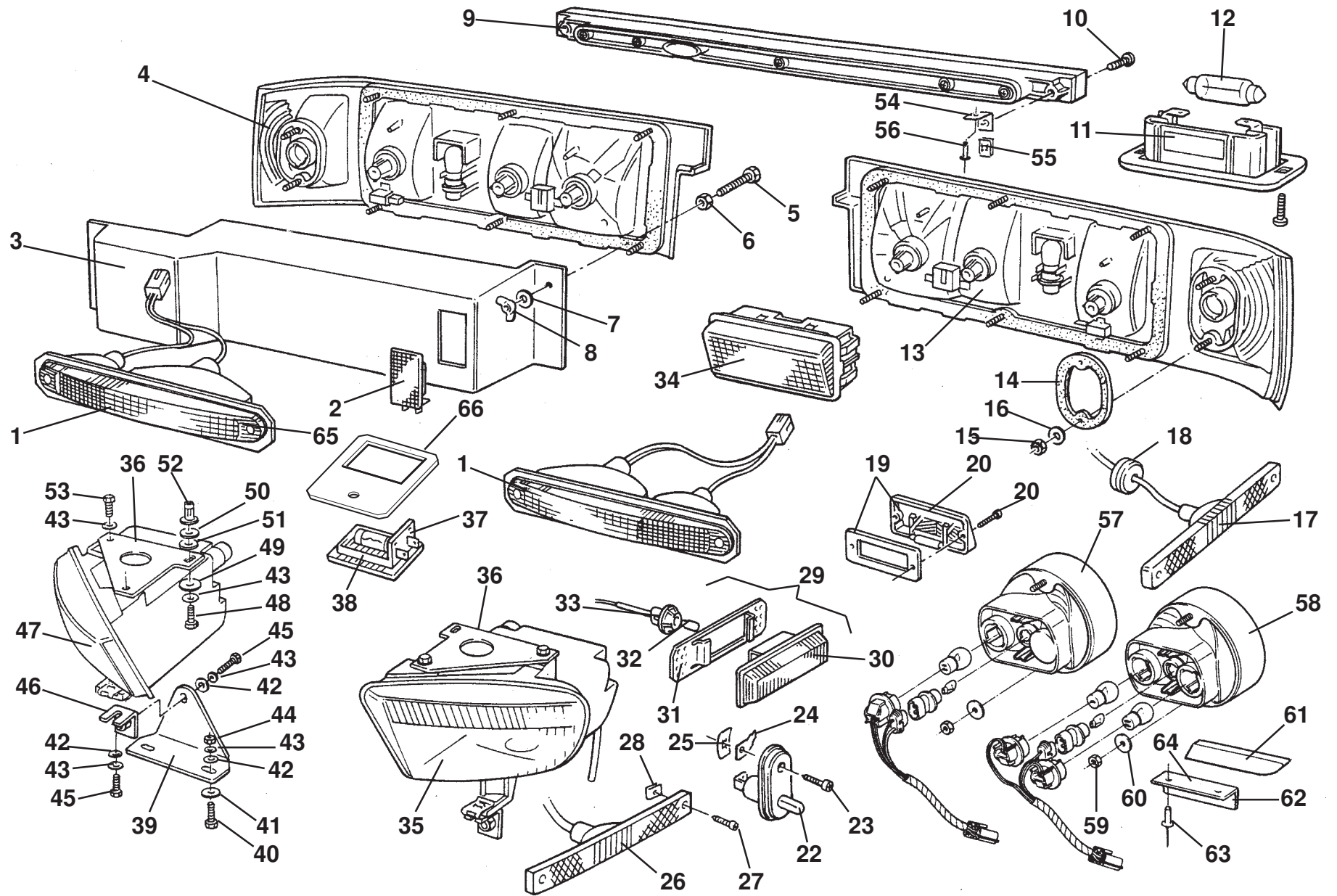
**Function Code 17.07a Instruments, Tell Tales, & Displays.'98 MY on**

<u>Dep</u>	<u>Part Description</u>	<u>Remarks</u>	<u>Option</u>	<u>Part Number</u>	<u>Qty</u>
14	Instrument Mask, alloy		Sport 350/'99 MY USA	<b>A082N4073F</b>	1
15	Display/Receiver, tyre pressure monitoring, 'Smartire'	Not illustrated	'Final Edition'	<b>A082N4074F</b>	1

---

---

18



**ESPRIT  
17.11**

*Updated 1st September 2014*

# Service Parts List



## Function Code 17.11 Exterior Lamps, Except Headlamps

<u>Dep</u>	<u>Part Description</u>	<u>Remarks</u>	<u>Option</u>	<u>Part Number</u>	<u>Qty</u>
01	Lamp, front side/indicators			C100M0013F	2
02	Lamp, rear luggage compartment			A089M6032F	2
03	Cover, rear lamp, RH			A082M4886K	1
03a	Cover, rear lamp, LH			A082M4885K	1
04	Lamp, rear, RH	With fog lamps		A082M6334F	1
04a	Lamp, rear, RH	Without fog lamps	USA	A082M6336F	1
05	Setscrew, M6 x 40, hex. hd., cover fixing			A075W1034Z	4
06	Nut, M6, cover fixing			A075W3020Z	4
07	Washer, flat, M6 x 15, cover fixing			A082W4015F	4
08	Wing Nut, M6, lamp cover fixing			A075W3033Z	4
09	Central High Mounted Stop Lamp (CHMSL)			A082M6648F	1
10	Screw, No.6 x 1.25", self tapping, pozi., CHMSL fixing	For aerofoil mounted CHMSL		B082W5023F	2
10a	Screw, No.6 x 0.75", self tapipng, pozi., CHMSL fixing	For tailgate mounted CHMSL		B075W5027Z	2
11	Lamp, license plate illumination	Fit infill panel: A082B5419K prior '98 MY	A082M6144F R/B, 98MY on	A111M6002F	2
12	Bulb, 12v 5w, license plate lamp			A083M6292F	2
13	Lamp, rear, LH	With fog lamps		A082M6333F	1
13a	Lamp, rear, LH	Without fog lamps	USA	A082M6335F	1
14	Gasket, rear turn lamp to body			A082M4692F	2

Function Code: 17.11, Page: 1

Updated 1st September 2014

**Function Code 17.11 Exterior Lamps, Except Headlamps**

<u>Dep</u>	<u>Part Description</u>	<u>Remarks</u>	<u>Option</u>	<u>Part Number</u>	<u>Qty</u>
15	Nut, lamp to body			B082M4707F	16
16	Washer, flat, M10 x 24, lamp to body			A075W4023F	16
17	Lamp, side marker, LH rear, red		USA	A082M6581F	1
17a	Lamp, side marker, RH rear, red		USA	A082M6580F	1
17b	Harness/Bulb Holder, side marker	Includes bulb	USA	A082M4948F	2
18	Grommet, rear side marker lamp harness		USA	A075U6043F	2
19	Lamp, door edge warning , red			A082M6155F	2
20	Screw, lamp to door			A075W5012F	4
21	Bulb, 12v 5w festoon, door edge warning lamp			A083M6292F	2
22	Door switch, courtesy lamp/seat buzzer		3 for USA spec.	A082M6461F	2
23	Setscrew, No. 6 x 1/2," switch fixing		3 for USA spec.	A089W5138F	2
24	Terminal, blade to door switch		3 for USA spec.	A082M6491F	2
25	Spire clip, No 6, switch fixing		3 for USA spec.	A075W6013Z	2
26	Lamp, side marker, LH front, amber		USA	A082M6579F	1
26a	Lamp, side marker, RH front, amber		USA	A082M6578F	1
26b	Harness/Bulb Holder	Includes bulb	USA	A082M4948F	2
27	Screw, M4 x 20, lamp to bumper		USA	A100W5173F	8
28	Spire Nut, M4, lamp to bumper		USA	A100W6449F	8
29	Lamp Assembly, side repeater			B082M4930J	2
30	Lens, side repeater			A082M6535F	2
31	Mounting plate, side repeater			A082U7591F	2

18

**Function Code 17.11 Exterior Lamps, Except Headlamps**

<u>Dep</u>	<u>Part Description</u>	<u>Remarks</u>	<u>Option</u>	<u>Part Number</u>	<u>Qty</u>
32	Bulb, 12v 5w wedge base			A082M6342F	2
33	Bulb holder, side repeater lamp			A082M6537F	2
34	Interior Lamp	On rear bulkhead	'98MY on	A082M6644F	1
35	Fog lamp, clear, LH			A082M4926J	1
35a	Fog lamp, yellow, LH		France	A082M4928J	1
36	Mounting Plate, lamp to bumper			A082M4922F	2
37	Lamp, front services bay/footwell illumination			A089M6032F	3
37b	Reflector, footwell lamp	Not illustrated		A082M4995K	1
38	Bulb, services bar/footwell lamps			A083M6292F	3
39	Bracket, fog lamp to valance			A082M4924F	2
40	Screw, M6 x 20, button hd., bracket to valance			A100W7096F	4
41	Washer, flat, M6 x 15, screw to valance			A075W4015Z	4
42	Washer, flat, M6 x 12, lamp fixing			A075W4013Z	8
43	Washer, spring, M6, lamp fixing			A075W4035Z	10
44	Nut, M6			A075W3020Z	4
45	Screw, M6 x 16, lamp fixing			A075W1028Z	4
46	Bracket, lamp to valance bracket			B082M4923F	2
47	Fog lamp, clear, RH			A082M4927J	1
47a	Fog lamp, yellow, RH		France	A082M4928J	1
48	Screw, M6 x 25, hex. hd., plate to bumper			A075W1031Z	2
49	Washer, flat, M6 x 20, plate to bumper			A075W4016Z	2

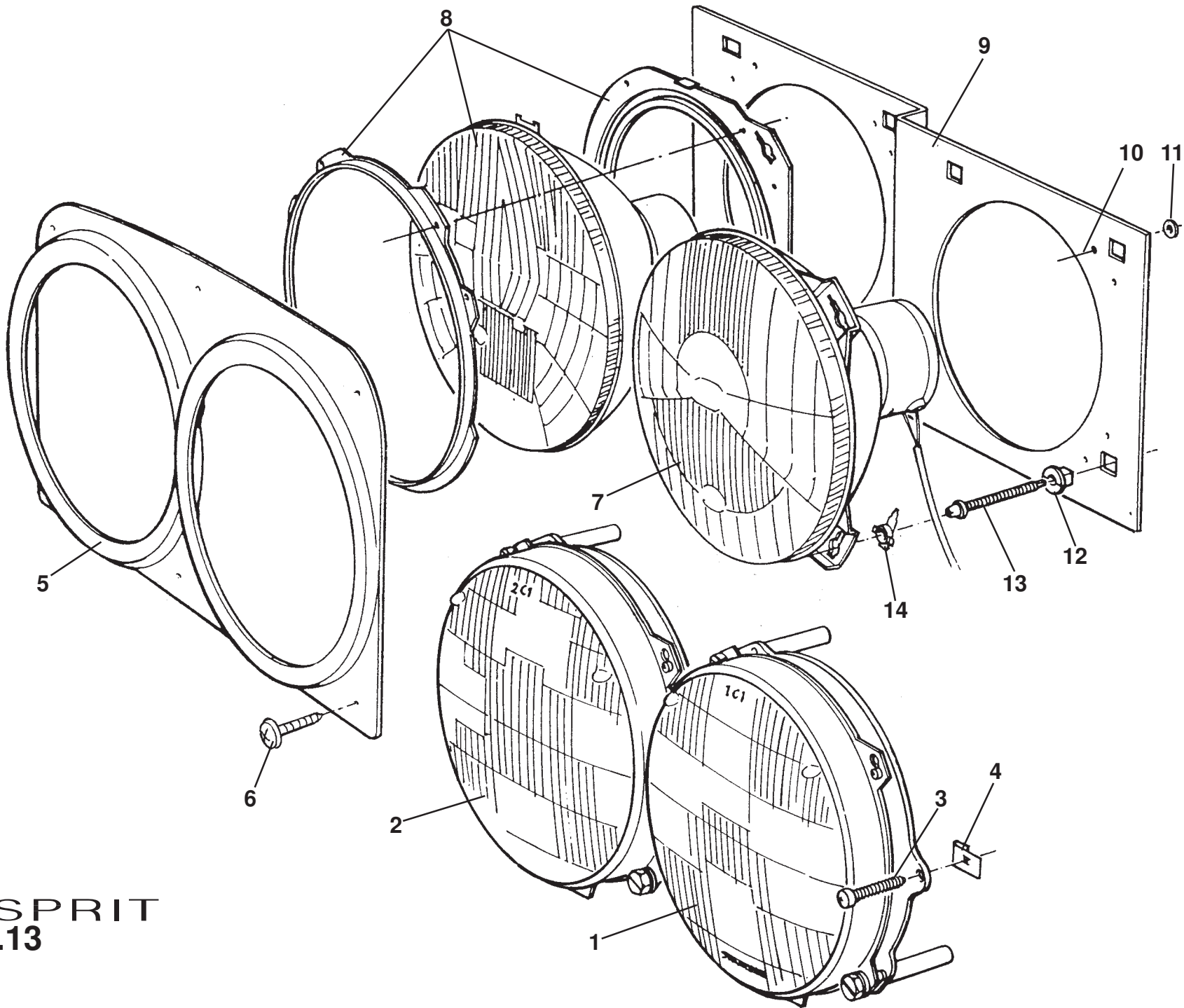
18

**Function Code 17.11 Exterior Lamps, Except Headlamps**

<u>Dep</u>	<u>Part Description</u>	<u>Remarks</u>	<u>Option</u>	<u>Part Number</u>	<u>Qty</u>
50	Spacer washer, 1.5 mm, plate to bumper			A075W4015Z	4
51	Spacer washer, 3.0 mm, plate to bumper			A075W4014Z	2
52	Jacknut, M6, plate to bumper			A075W3031Z	2
53	Screw, M6 x 16, hex. hd., plate to lamp			A075W1028Z	4
54	Bracket, CHMSL to tailgate canopy	For tailgate mounted CHMSL	V8 GT	A082U7945F	2
55	Spire Nut, No.6, CHMSL to bracket	For tailgate mounted CHMSL	V8 GT	B111W6632F	2
56	Pop Rivet, bracket to canopy	For tailgate mounted CHMSL	V8 GT	A075W6067Z	2
57	Lamp, inner, rear fog, reverse		2002 MY, ROW	A117M0012F	2
57a	Lamp, inner, stop/tail, reverse, stop		2002 MY, USA	A082M6690F	2
58	Lamp, outer, tail. turn, stop/tail		2002 MY, ROW	A117M0011F	2
58a	Lamp, outer, turn, turn/tail		2002 MY, USA	A082M6689F	2
59	Nyloc Nut, M5, thin, lamp to transom		2002 MY	A100W3113F	8
60	Washer, flat, M5 x 18 x 1.5 S/S, lamp to transom		2002 MY	B075W4009Z	8
61	Reflector, rear, LH		2002 MY	A082M6691F	1
61a	Reflector, rear,RH		2002 MY	A082M6692F	1
62	Bracket, rear reflector mounting	Stainless steel	2002 MY	A082U7987K	2
63	Pop Rivet, black, bracket to rear bumper		2002 MY	A082W6512F	4
64	Double Sided Tape, bracket to rear bumper		2002 MY	A082B6290V	23cm
65	Screw M4 x 25, lens to lamp			A100W5155F	4
66	Bracket, lamp mounting			A082B5251K	3

18





ESPRIT  
17.13

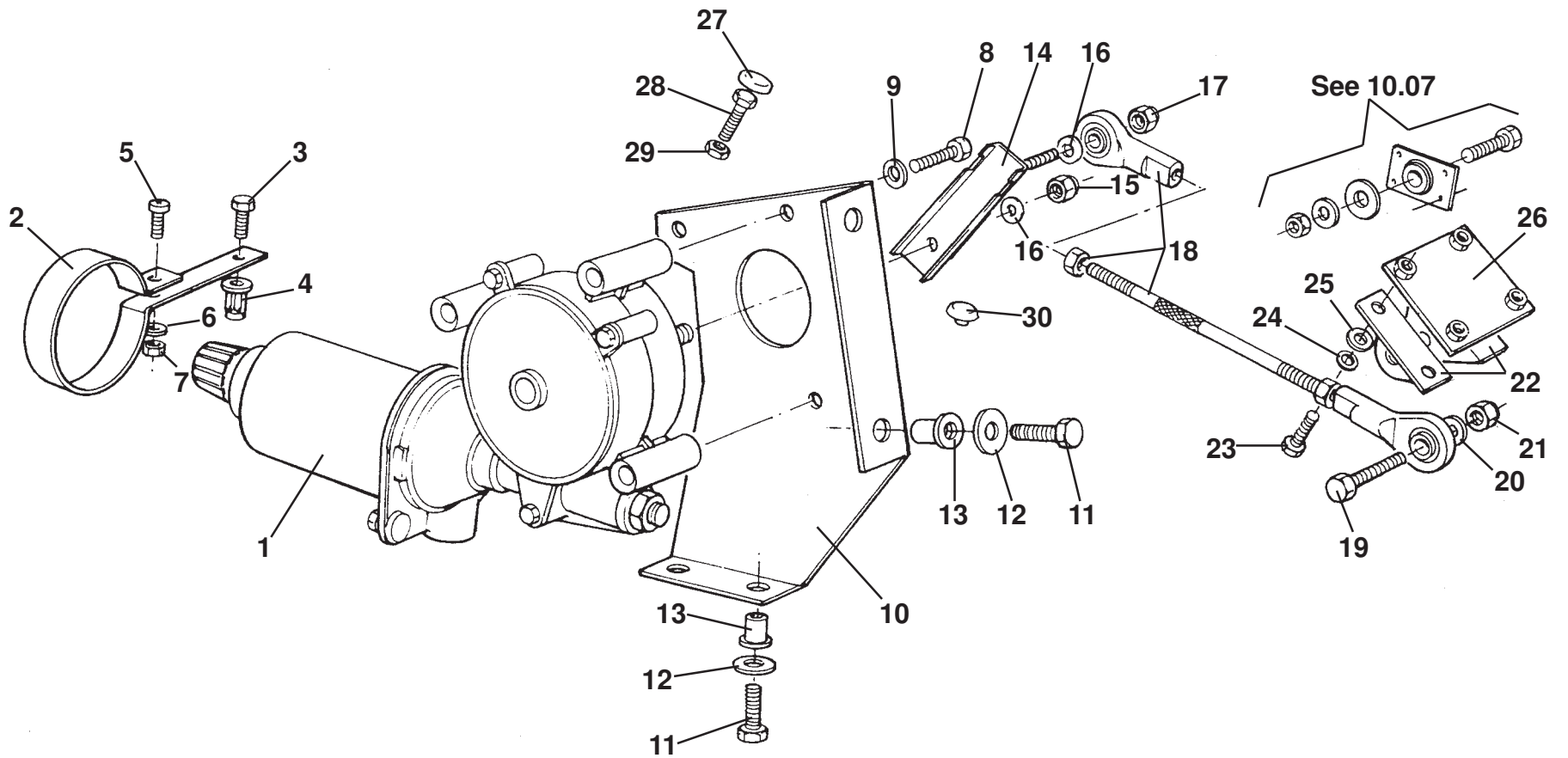
**Function Code 17.13 Headlamps**

<u>Dep</u>	<u>Part Description</u>	<u>Remarks</u>	<u>Option</u>	<u>Part Number</u>	<u>Qty</u>
01	Headlamp Assembly, 5.75", main only, inboard, LHD,	Lucas, D.O.T. marked lamps	USA, Canada, Australia, Japan	<b>A079M6055F</b>	2
01a	Sealed Beam Unit, 5.75", main only, inboard, LHD	Lucas, D.O.T. marked lamps	USA, Canada, Australia, Japan	<b>A079M6038F</b>	2
01b	Headlamp Assembly, 5.75", main only, inboard, LHD/RHD	Stanley, RHD Japan, D.O.T. marked lamps	USA, Canada, Australia, Japan	<b>A100M6099F</b>	2
02	Headlamp Assembly, 5.75", main/dip, outboard, LHD	Lucas, D.O.T. marked lamps	USA, Canada, Australia, Japan	<b>A079M6056F</b>	2
02a	Sealed Beam Unit, 5.75", main/dip, outboard, LHD	Lucas, D.O.T. marked lamps	USA, Canada, Australia, Japan	<b>A079M6039F</b>	2
02b	Headlamp Assembly, 5.75", main/dip, outboard, LHD/RHD	Stanley, RHD Japan, D.O.T. marked lamps	USA, Canada, Australia, Japan	<b>A100M6098F</b>	2
03	Screw, pan hd., headlamp to pod	D.O.T. marked lamps	Canada, Australia, Japan	<b>A075W5043Z</b>	12
03a	Screw, flg. hd., black, No.8 x 0.75", headlamp to pod	D.O.T. marked lamps	USA	<b>A075W5074Z</b>	12
04	Spire Nut, headlamp to pod	D.O.T. marked lamps	Canada, Australia, Japan	<b>A075W6016Z</b>	12
04a	Spire Nut, No.8, headlamp to pod	D.O.T. marked lamps	USA	<b>A082W6525Z</b>	12
05	Mask, headlamp surround, RH	D.O.T. marked lamps (not illustrated)	USA, Canada, Australia, Japan	<b>A082B4858K</b>	1
05a	Mask, headlamp surround, LH	D.O.T. marked lamps (not illustrated)	USA, Canada, Australia, Japan	<b>A082B4859K</b>	1
5b	Mask, headlamp surround, RH	'E' marked lamps	U.K., Europe	<b>A082B4856K</b>	1
5c	Mask, headlamp surround, LH	'E' marked lamps	U.K., Europe	<b>A082B4857K</b>	1
06	Screw, No.6 x 0.5", flg. hd., s/s., mask to pod		Common	<b>A089W5138F</b>	6
07	Headlamp Assembly, 6", main only, inboard, LHD/RHD	'E' marked lamps	U.K., Europe	<b>A082M6174F</b>	2

**Function Code 17.13 Headlamps**

<u>Dep</u>	<u>Part Description</u>	<u>Remarks</u>	<u>Option</u>	<u>Part Number</u>	<u>Qty</u>
07a	Headlamp Assembly, 5.75", main only, inboard, LHD	'E' marked lamps	France (yellow)	<b>A082M6464F</b>	2
08	Headlamp Assembly, 6", main/dip, outboard, RH, RHD	'E' marked lamps, unit incl. carriage plate/bezel	U.K., Europe	<b>A082M4810J</b>	1
08a	Headlamp Assembly, 6", main/dip, outboard, RH, LHD	'E' marked lamps, unit incl. carriage plate/bezel	U.K., Europe	<b>A082M4808J</b>	1
08b	Headlamp Assembly, 6", main/dip, outboard, LH, RHD	'E' marked lamps, unit incl. carriage plate/bezel	U.K., Europe	<b>A082M4809J</b>	1
08c	Headlamp Assembly, 6", main/dip, outboard, LH, LHD	'E' marked lamps, unit incl. carriage plate/bezel	U.K., Europe	<b>A082M4807J</b>	1
08d	Bulb, halogen H1, main only	'E' marked lamps (not illustrated)	U.K., Europe	<b>A082M6288F</b>	2
08e	Bulb, halogen H4, main/dip	'E' marked lamps (not illustrated)	U.K., Europe	<b>A075M6126Z</b>	2
08f	Bulb, halogen H4, main/dip	'E' marked lamps (not illustrated) if fitted	U.K., Europe	<b>A079M6113F</b>	2
08g	Carriage Plate, outboard headlamp adjust, RH	'E' marked lamps (not illustrated)	U.K., Europe	<b>A082M4696F</b>	1
08h	Carriage Plate, outboard headlamp adjust, LH	'E' marked lamps (not illustrated)	U.K., Europe	<b>A082M4697F</b>	1
09	Plate, headlamp mounting to pod, RH	'E' marked lamps	U.K., Europe	<b>A082M4688F</b>	1
09a	Plate, headlamp mounting to pod, LH	'E' marked lamps	U.K., Europe	<b>A082M4687F</b>	1
09b	Plate, headlamp mounting to pod	'E' marked lamps	France	<b>A082M4851F</b>	2
10	Pop Rivet, mounting plate to pod	'E' marked lamps	U.K., Europe	<b>A075W6069F</b>	32
11	Washer, pop rivet	'E' marked lamps	U.K., Europe	<b>A075W4062F</b>	32
12	Insert Bush, headlamp adjuster screw to plate	'E' marked lamps	U.K., Europe	<b>A082M6207F</b>	12
13	Adjuster Screw, headlamp aiming	'E' marked lamps	U.K., Europe	<b>A082M6206F</b>	12
14	Capsule, 0.25 turn, headlamp mounting	'E' marked lamps	U.K., Europe	<b>A085M6217F</b>	12

18



ESPRIT  
17.15

# Service Parts List



## Function Code 17.15 Headlamp Lift Motor & Mechanism

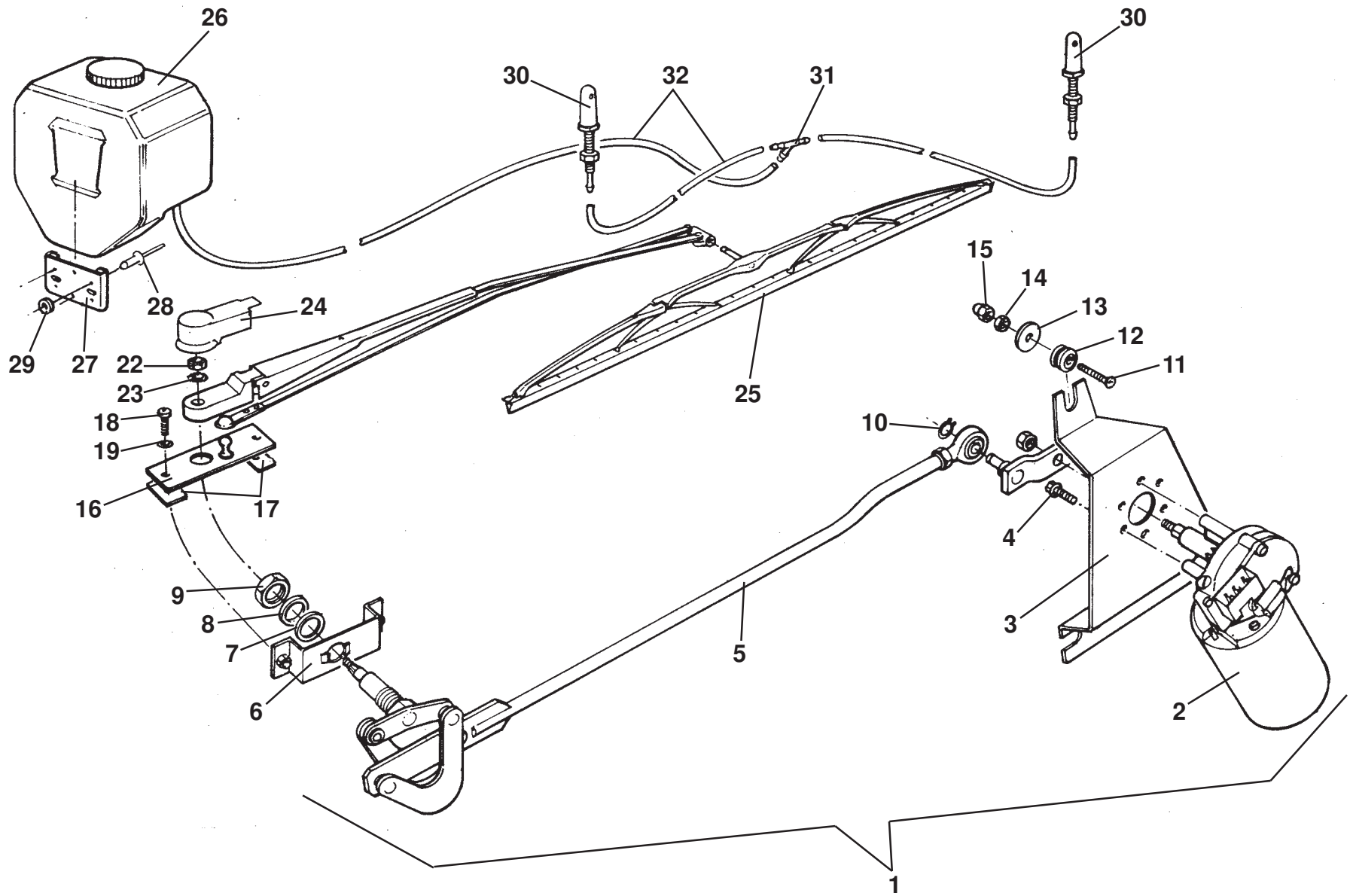
<u>Dep</u>	<u>Part Description</u>	<u>Remarks</u>	<u>Option</u>	<u>Part Number</u>	<u>Qty</u>
01	Motor, headlamp pod lift. RH			A100B6064F	1
01a	Motor, headlamp pod lift. LH			A100B6063F	1
02	Steady Bracket, motor to body, RH			A082U5898F	1
02a	Steady Bracket, motor to body, LH			A082U5899F	1
03	Screw, M5 x 20, hex. hd., steady bracket clamping			A082W5097F	2
04	Jacknut, M5, steady bracket to body			A076W3042F	2
05	Screw, M5 x 10, pan. hd. pozi., steady bracket clamping			A082W5097F	2
06	Washer, flat, steady bracket clamping			A075W4011Z	2
07	Nyloc Nut, M5, steady bracket clamping			A075W3008Z	2
08	Setscrew, M6 x 16, hex. hd., motor to mounting bracket			A075W1028Z	6
09	Washer, shakeproof, motor to mounting bracket			A075W4046Z	6
10	Bracket, headlamp motor mounting, RH			A082U7228F	1
10a	Bracket, headlamp motor mounting, LH			A082U7229F	1
11	Setscrew, M6 x 20, hex. hd., bracket to body			A075W1030Z	8
12	Washer, flat, bracket to body			A075W4013Z	8
13	Rawlnut, M6 x 15, bracket to body			A075W6140F	8
14	Link, rotary, headlamp motor			A082U7231F	2
15	Nyloc Nut, M6, rotary link to motor			A907E6285F	2



---

**Function Code 17.15 Headlamp Lift Motor & Mechanism**

<u>Dep</u>	<u>Part Description</u>	<u>Remarks</u>	<u>Option</u>	<u>Part Number</u>	<u>Qty</u>
16	Washer, flat, rod ends			A075W4013Z	10
17	Nyloc Nut, M6,rod ends			A075W3009Z	2
18	Link Assembly, pod actuation			C082U5852F	2
19	Setscrew, M6 x 25, hex. hd., rod end to pod bracket			A075W1031F	2
20	Washer, flat, s/s, rod end to pod bracket			A082W4133F	4
21	Nyloc Nut, M6,rod end to pod bracket			A907E6285F	2
22	Bracket, link to pod			A079U4454K	4
23	Setscrew, M6 x 18, hex. hd., bracket to pod			A075W1029Z	8
24	Washer, shakeproof, bracket to pod			A075W4046Z	8
25	Washer, flat, bracket to pod			A075W4015Z	8
26	Tapping Plate, bracket to pod			A079U4517F	2
27	Buffer, adjustable stop			A082W6341F	2
28	Nut, M5, adjustable stop			A075W3084Z	2
29	Setscrew, M5, hex. hd., adjustable stop			A082U7290F	2
30	Buffer, fixed stop			A082U6201F	2
31	Headlamp lift Gearbox Repair kit			A082M6706S	1



**ESPRIT**  
**17.21**

*Updated 18th August 2011*

**Function Code 17.21 Windscreen Wiper Motor, Wipers & Washers**

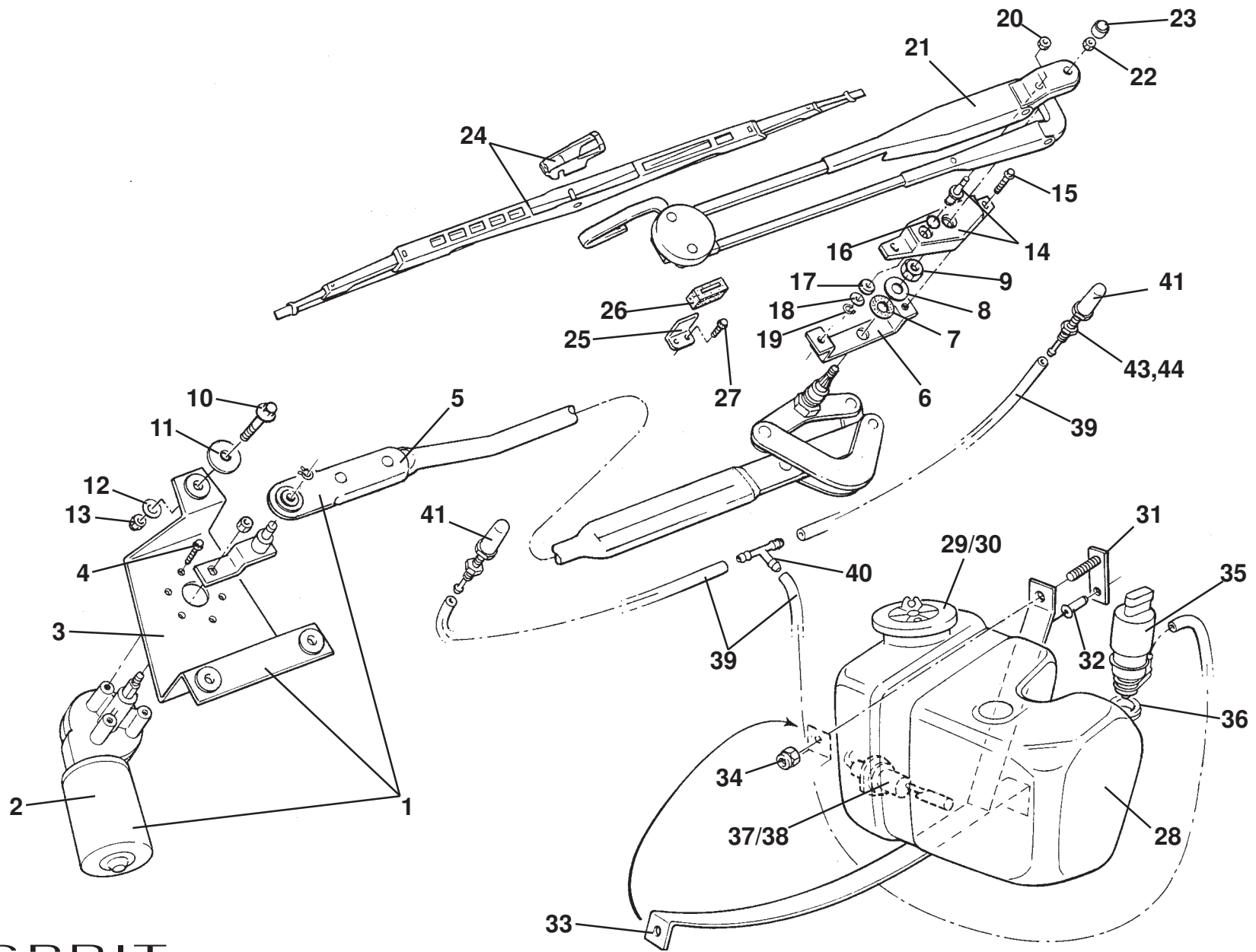
<u>Dep</u>	<u>Part Description</u>	<u>Remarks</u>	<u>Option</u>	<u>Part Number</u>	<u>Qty</u>
01	Wiper Mechanism Assembly, LHD	Includes items: 2 to 10		D082M4643F	1
01a	Wiper Mechanism Assembly, RHD	Includes items: 2 to 10		D082M4628F	1
02	Wiper Motor, LHD			A082M4709S	1
02a	Wiper Motor, RHD			A082M4708S	1
03	Bracket, wiper motor mounting, LHD/RHD			A082M4629F	1
04	Bolt, flg. hd., motor to bracket			A082M6382H	3
05	Wiper Linkage Assembly, LHD			A082M4718S	1
05a	Wiper Linkage Assembly, RHD			A082M4719S	1
06	Fixing Plate, wiper spindle, LHD			C082M4633H	1
06a	Fixing Plate, wiper spindle, RHD			C082M4632H	1
07	Washer, rubber, M20, wiper spindle fixing			A082M6388H	1
08	Washer, flat, M20, wiper spindle fixing			A082M6387H	1
09	Nut, M20, wiper spindle fixing			A082M6386H	1
10	Circlip, linkage assembly to motor crank			A082M6383H	1
11	Screw, M5 x 30, mounting bracket to body			A082W5118F	3
12	Rubber Bush, mounting bracket to body			A082M6338F	3
13	Washer, flat, mounting bracket to body			A082W4098F	3
14	Locknut, M5, mounting bracket to body			A082W3088F	3
15	Nut, dome, M5, mounting bracket to body			A082W3086F	3
16	Mounting Plate, wiper ball joint			C082M4746F	1
17	Spacer, mounting plate to body			A082M4748F	1

18



**Function Code 17.21 Windscreen Wiper Motor, Wipers & Washers**

<u>Dep</u>	<u>Part Description</u>	<u>Remarks</u>	<u>Option</u>	<u>Part Number</u>	<u>Qty</u>
18	Screw, M5 x 16, cap hd., mounting plate to body			A082W5184F	2
19	Washer, spring, M5, mounting plate to body			A082W4130F	2
20	Washer, flat, M5, mounting plate to body			A082W4129F	2
21	Wiper Arm Assembly, LHD			A082M6340F	1
21a	Wiper Arm Assembly, RHD			A082M6339F	1
22	Nut, M6, wiper arm to spindle			A082M6384H	1
23	Washer, wiper arm to spindle			A082M6385H	1
24	Head Cover, wiper arm			A082M6380F	1
25	Wiper Blade			A079M6015F	1
26	Washer Pump & Reservoir Assembly			C079M6010F	1
27	Mounting Bracket, washer reservoir			A075M6069Z	1
28	Pop Rivet, bracket to body			A075W6087Z	3
29	Washer, bracket to body			A075W4000Z	3
30	Jet, windscreen washer			A082M6369F	2
31	'T'-Piece, washer tubing			A075M6118F	1
32	Tubing, windscreen washer, 4mm			A050M6164V	2.6m



**ESPRIT  
17.21a**

*Updated 28th January 2011*

# Service Parts List



## Function Code 17.21a Windscreen Wiper Motor, Wipers & Washers, '98 MY

<u>Dep</u>	<u>Part Description</u>	<u>Remarks</u>	<u>Option</u>	<u>Part Number</u>	<u>Qty</u>
01	Wiper Mechanism Assembly, RHD	Includes items: 2 to 9		A082M5082F	1
01a	Wiper Mechanism Assembly, LHD	Includes items: 2 to 9		A082M5081F	1
02	Wiper Motor			A082M5098F	1
03	Mounting Bracket, wiper motor			A082M5083F	1
04	Bolt, flg. hd., motor to bracket			A082M6382H	3
05	Wiper Linkage Assembly, LHD			TBA	1
05a	Wiper Linkage Assembly, RHD			TBA	1
06	Fixing Plate. wiper spindle, LHD			A082M5067F	1
06a	Fixing Plate. wiper spindle, RHD			A082M5068F	1
07	Washer, flat, rubber, M20, spindle to fixing plate			A082M6388H	1
08	Washer, flat, M20, spindle to fixing plate			A082W4178F	1
09	Nut, M20, spindle to fixing plate			A082M6386H	1
10	Screw, M5 x 30, flg. hd., bracket to body			A918W5209F	3
11	Washer, flat, M5 x 25 x 1.4			A082W4098F	3
12	Washer, flat, M5 x 10			A075W4011Z	3
13	Nyloc, Nut, M5, half			A100W3113F	3
14	Pantograph Pivot Mounting Plate Kit, LHD	Includes items: 16, 17, 18, 19, only available as individual parts		A082M5123F	1

Function Code: 17.21a, Page: 1

Updated 2nd February 2015

**Function Code 17.21a Windscreen Wiper Motor, Wipers & Washers, '98 MY**

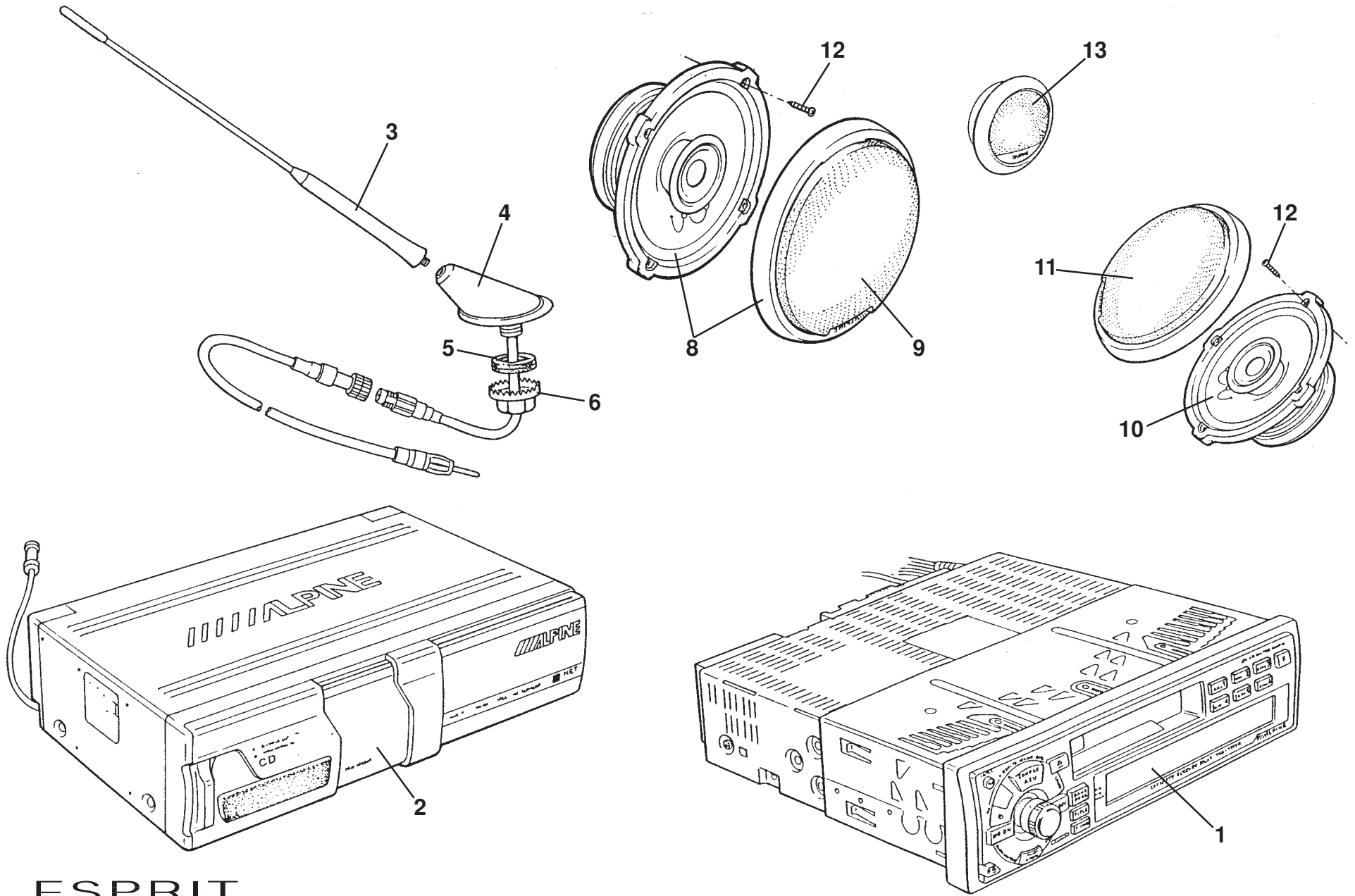
<u>Dep</u>	<u>Part Description</u>	<u>Remarks</u>	<u>Option</u>	<u>Part Number</u>	<u>Qty</u>
14a	Pantograph Pivot Mounting Plate Kit, RHD	Includes items: 16, 17, 18, 19, only available as individual parts		A082M5122F	1
15	Screw, M5, flg., button hd., plate to body	Black finish	A082W5184F R/B	A082W5276F	2
16	'O' ring, seal for pivot pin			A082M6653F	1
17	Thrust Washer, nylon, pivot pin to plate			A082Q0714F	1
18	Shim Washer, pivot pin to plate, 0.2/0.3mm x 10mm bore			A082M6652F	1
19	Circlip, pin to plate			A082M6649F	1
20	Locknut, 0.5", LH thread, pivot pin to pantograph			A111W3160F	1
21	Wiper Arm, LHD			A082M6651F	1
21a	Wiper Arm, RHD			A082M6650F	1
22	Nut, M8 x 12.5, wiper arm to spindle			A082W3162F	1
23	Cover, wiper spindle nut			A082W6634F	1
24	Wiper Blade			A082M6667F	1
24a	Wiper Blade		2002 LHD	A082M6685F	1
25	Bracket, wiper downstop			A082M5080F	1
25a	Bracket, pillar type, wiper downstop	Not illustrated	'Final Edition'	A082U8004F	1
26	Buffer, wiper arm downstop			A111U0268F	1
26a	'O' Ring, buffer, wiper arm downstop	Not illustrated, fits over pillar	'Final Edition'	A082U6335F	3
27	Screw, M5, flg., button hd., wiper stop bracket to body		A082W5205Z R/B	A082W5276F	2
28	Washer Bottle	Includes fluid level sender & seal		A082M5104F	1
29	Cap, washer bottle			A082M6662F	1

18

**Function Code 17.21a Windscreen Wiper Motor, Wipers & Washers, '98 MY**

<u>Dep</u>	<u>Part Description</u>	<u>Remarks</u>	<u>Option</u>	<u>Part Number</u>	<u>Qty</u>
30	Seal, washer bottle cap			A082U6201F	1
31	Stud Plate, fixing washer bottle bracket to body			A082M5070J	1
32	Pop Rivet, stud plate fixing, washer bottle bkt			A076W6099F	1
33	Mounting Strap, washer bottle securing to body			A082U7881F	1
34	Nyloc Nut, M5, washer bracket to body			A075W3008Z	2
35	Pump, washer bottle			A082M6661F	1
36	Grommet, pump to bottle sealing			A082M6663F	1
37	Sender, washer fluid level	Part of item 28		A082M6671F	1
38	Seal, screenwash level sender	Part of item 28		A082M6672F	1
39	Tubing, windscreen washer, 4mm			A050M6164V	2.6m
40	'T' piece, washer tubing			A075M6118F	1
41	Jet, windscreen washer			A082M6369F	2
42	Silicon Grease, pivot pin lubricating	Not illustrated		A082M6299V	As req.

18



ALPINE  
ESPRIT  
17.27

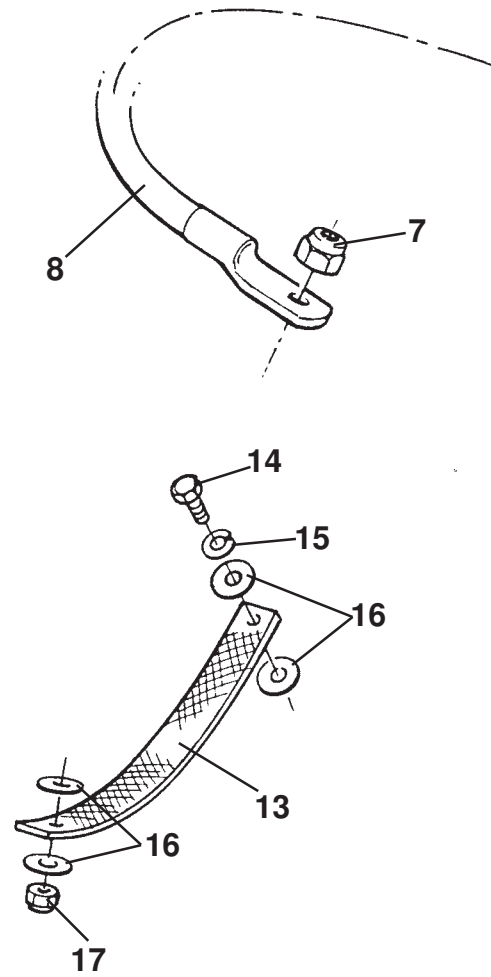
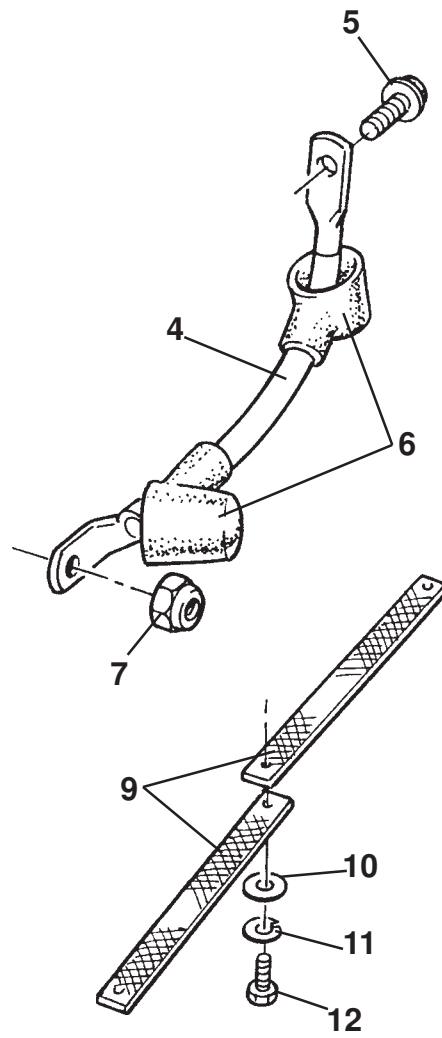
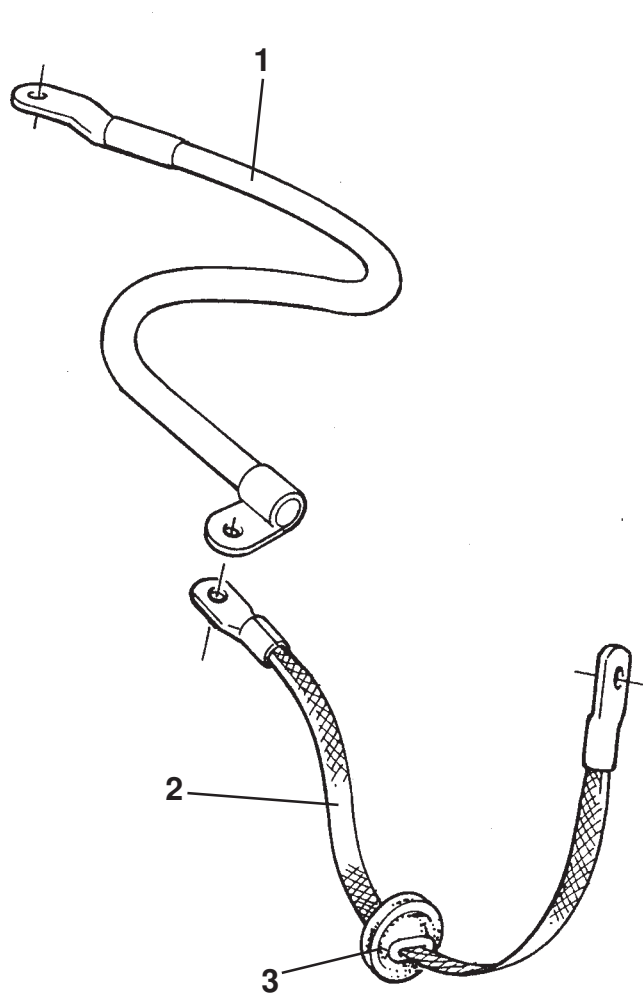
# Service Parts List



## Function Code 17.27 In Car Entertainment

<u>Dep</u>	<u>Part Description</u>	<u>Remarks</u>	<u>Option</u>	<u>Part Number</u>	<u>Qty</u>
01	Radio/Cassette, Alpine		A082M6676F R/B	A082M6699F	1
01a	Radio/Cassette, Alpine		Japan	A082M6629F	1
01b	Radio/CD player, Alpine		A082M6677F R/B	A082M6697F	1
01c	Radio/CD player, Alpine	Federal spec.	USA, C082M6641F R/B	C082M6696F	1
01d	Radio/CD/Navigation Head Unit		UK option, 2002 MY	A082M6694F	1
02	CD Autochanger, Alpine		A082M6634F R/B	A082M6698F	1
03	Aerial mast			A082M6533F	1
04	Aerial base			A082M6534F	1
05	Rubber Washer, mounting nut			A111M6033F	1
06	Nut, aerial base to taigate			A082M6555F	1
07	Cable, aerial co-axial extension			B082M4933F	1
08	Speaker, bass, fitted in doors	Includes grille		A082M6625F	2
09	Grille, door bass speaker			A082M6624F	2
10	Speaker, front (pair), fitted in fascia	Includes grilles	B082M6640F R/B	A117M6006F	1
11	Grille, front speaker			B089M6080F	2
12	Screw, No.8 x 3/4", pan pozi., speaker fixing			A075W5037Z	16
13	Speaker Kit, tweeter, SPS100S, fitted in doors	Includes 2 speaker/grille assys.	A082M6626F R/B	B082M6626F	1



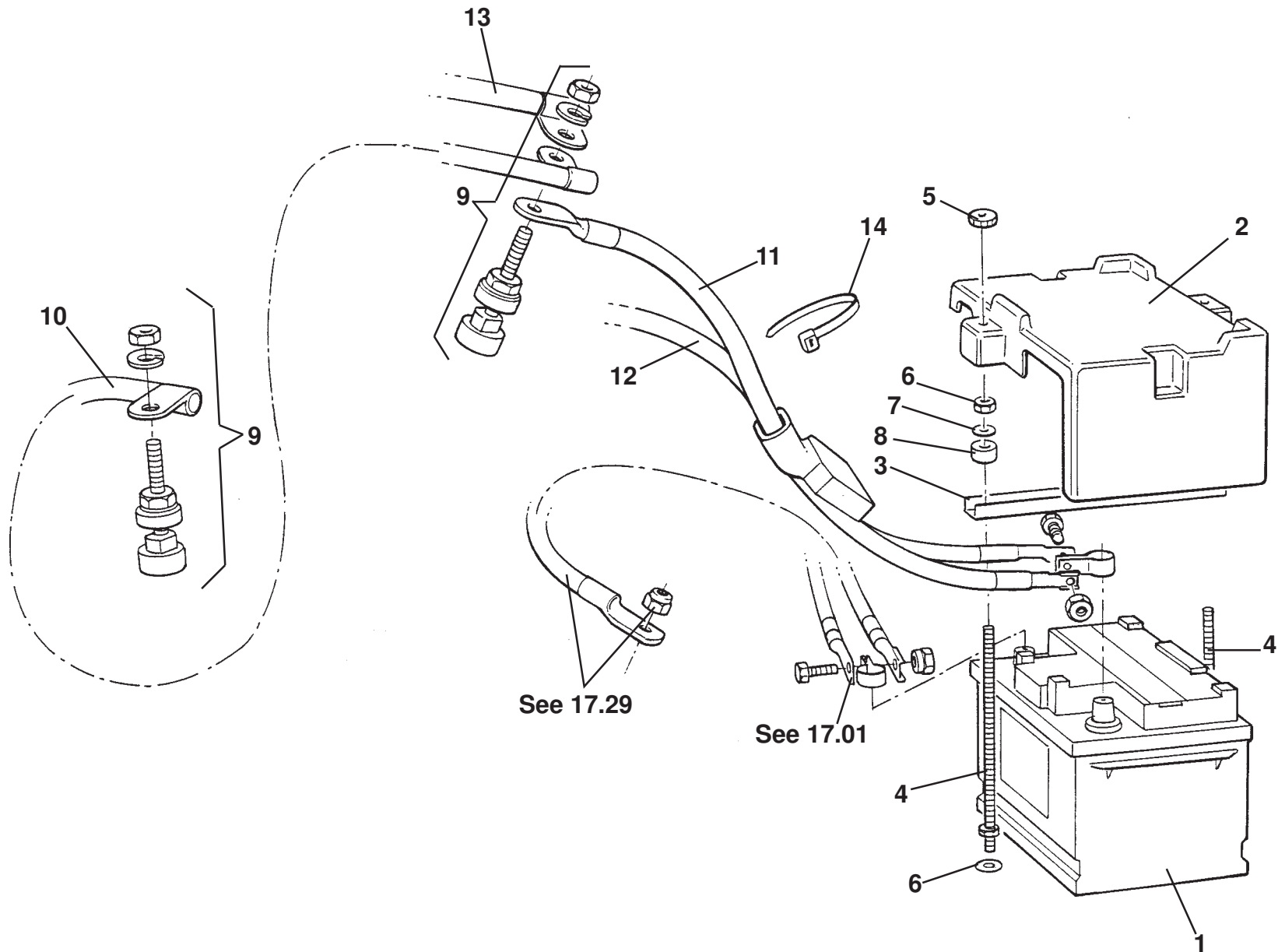


ESPRIT  
17.29



**Function Code 17.29 Earth Braids (Leads) & Supression Devices**

<u>Dep</u>	<u>Part Description</u>	<u>Remarks</u>	<u>Option</u>	<u>Part Number</u>	<u>Qty</u>
01	Earth Cable, scuttle beam to chassis			B089M0410F	1
02	Earth Braid, door to scuttle beam, LH/RH	Incl. grommet, item 03		A082M5007F	2
03	Grommet, braid through body			A036B6236F	2
04	Cable Engine to Chassis			A082M5016F	1
05	Bolt, M8 x 16, hex. flg. hd., strap to block fix.			A075W1036Z	1
06	Rubber Cover, earth lead fix.			A075W6174F	2
07	Nyloc Nut, M6, cable to earth stud fix.			A075M3009Z	1
08	Cable, battery earth to chassis	Part of rear harness, see 17.01		C082M5014F	1
09	Earth Braid, seats to chassis			A082M4908F	2
10	Washer, flat, M6 x 20			A075W4017Z	1
11	Washer, spring, M6			A075W4035Z	1
12	Setscrew, M6			A075W1029Z	1
13	Earth Braid, fuel tank to chassis			A079M4094F	2
14	Setscrew			A075W1038Z	2
15	Washer, spring			A075W4036Z	2
16	Washer, flat			A075W1021Z	2
17	Nyloc Nut			A075W4031Z	2
18	Washer, flat, M6 x 1.4, strap to block			A075W4020Z	1
19	Bolt, M6 x 16, hex hd., strap to clutch housing			A075W1028Z	2
20	Washer, flat, M6 x 12.1 x 1.4, strap to clutch housing			A075W4013Z	2

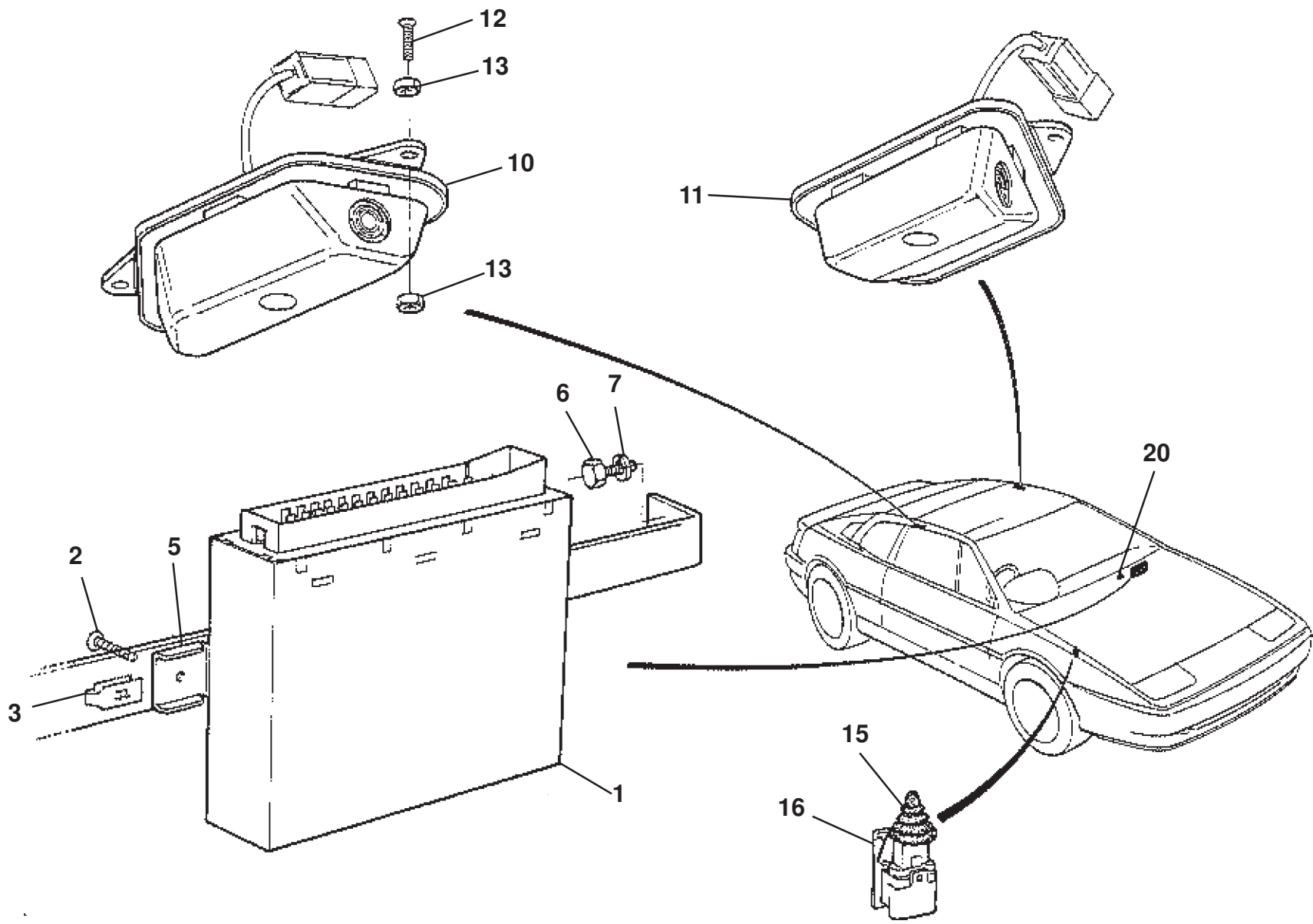


**ESPRIT**  
**17.31**

---

**Function Code 17.31 Battery, Clamps, & Cables**

<u>Dep</u>	<u>Part Description</u>	<u>Remarks</u>	<u>Option</u>	<u>Part Number</u>	<u>Qty</u>
01	Battery, Tungstone E088			B082M6284F	1
02	Battery Cover			B082M4725K	1
03	Battery Clamping Channel			A085U5115F	1
04	Stud, battery cover			A082M5024F	2
05	Plastic Fingernut			A082M6468F	2
06	Nut, M6			A075W3020Z	2
07	Washer, flat, M6			A075W4013Z	4
08	Spacer			A907E0696Z	2
09	Binding Post			A089M6033F	2
10	Cable, rear relay stn. binding post to scuttle binding post	Part of rear harness, see 17.01		A082C5014F	1
11	Cable, battery positive to rear relay stn. binding post			A082M5015F	1
12	Cable, battery positive to starter solenoid			A082M5013F	1
13	Cable, battery positive to alternator	Part of rear harness, see 17.01		A082C5014F	1
14	Cable Tie			A075W6058Z	2



**ESPRIT  
17.33**

Prior 98'MY

*Updated 3rd February 2014*

# Service Parts List

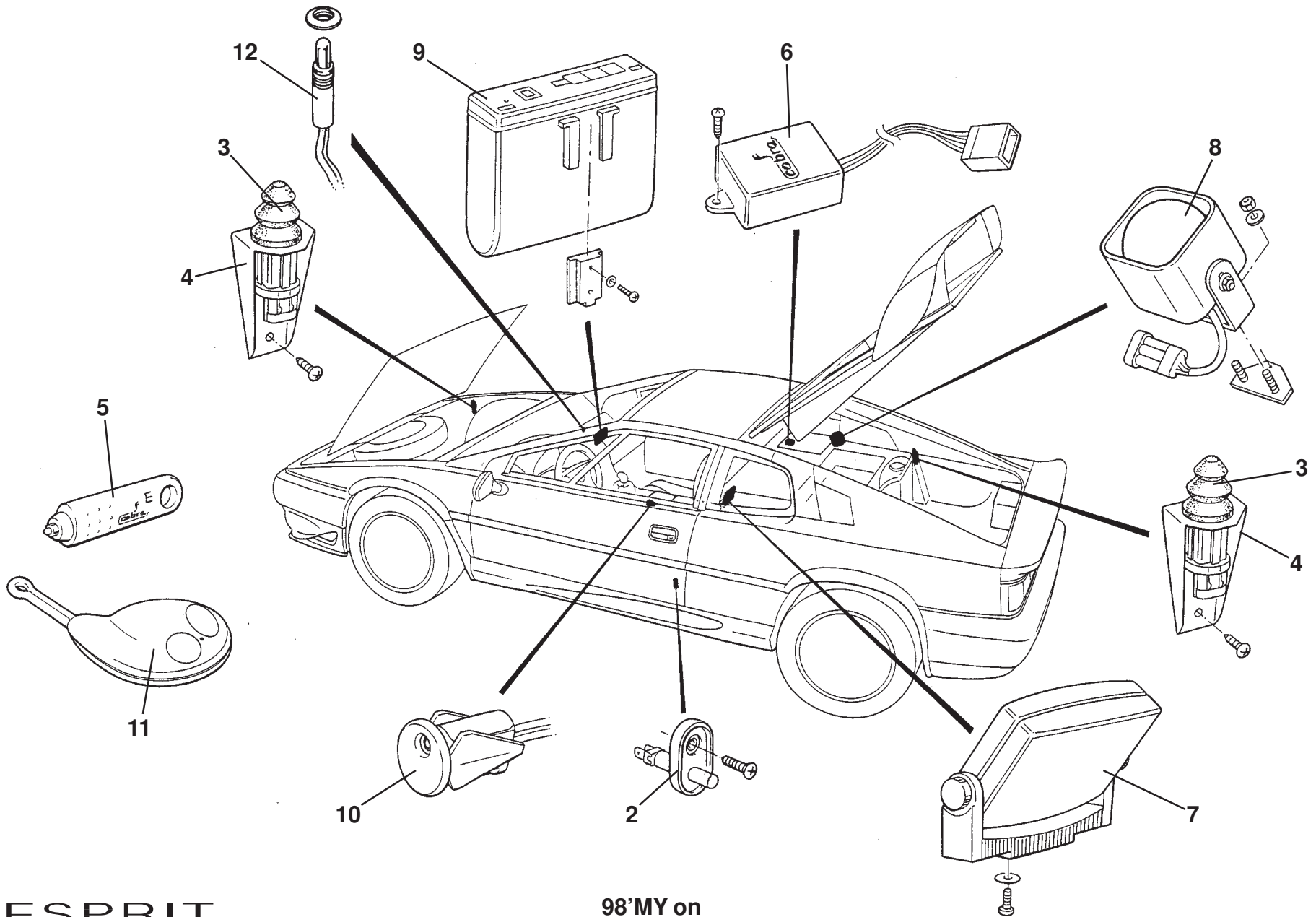


## Function Code 17.33 Security Alarm System, Parking Sensors & Camera

<u>Dep</u>	<u>Part Description</u>	<u>Remarks</u>	<u>Option</u>	<u>Part Number</u>	<u>Qty</u>
01	Controller, vehicle alarm system		Prior 98'MY	A082M6526F	1
02	Screw, controller to mounting bracket		Prior 98'MY	A075W5012F	2
03	Spire Nut, controller fixing		Prior 98'MY	A075W6014Z	2
04	Mounting Bracket, alarm controller		Prior 98'MY	A082U7683F	1
05	Setscrew, M5 x 12, bracket fixing		Prior 98'MY	A075W1021Z	2
06	Washer, spring, bracket fixing		Prior 98'MY	A082W4097F	2
07	Sensor, ultra sonic, driver's side		Prior 98'MY	A082M6527F	1
10	Sensor, ultra sonic, passenger's side		Prior 98'MY	A082M6528F	1
11	Screw, sensor to trimmed capping rail		Prior 98'MY	A075W5014Z	4
12	Nut, sensor to trimmed capping rail		Prior 98'MY	A075W3019F	8
13	Switch, tailgate & bonnet alarm sensing		Prior 98'MY	A082M6587F	2
15	Bracket, alarm switch mounting		Prior 98'MY	A082U7687F	2
20	Parking Socket, alarm ALDL connector		Prior 98'MY	A082M6546F	1

Function Code: 17.33, Page: 1

*Updated 3rd February 2014*



**ESPRIT  
17.33a**

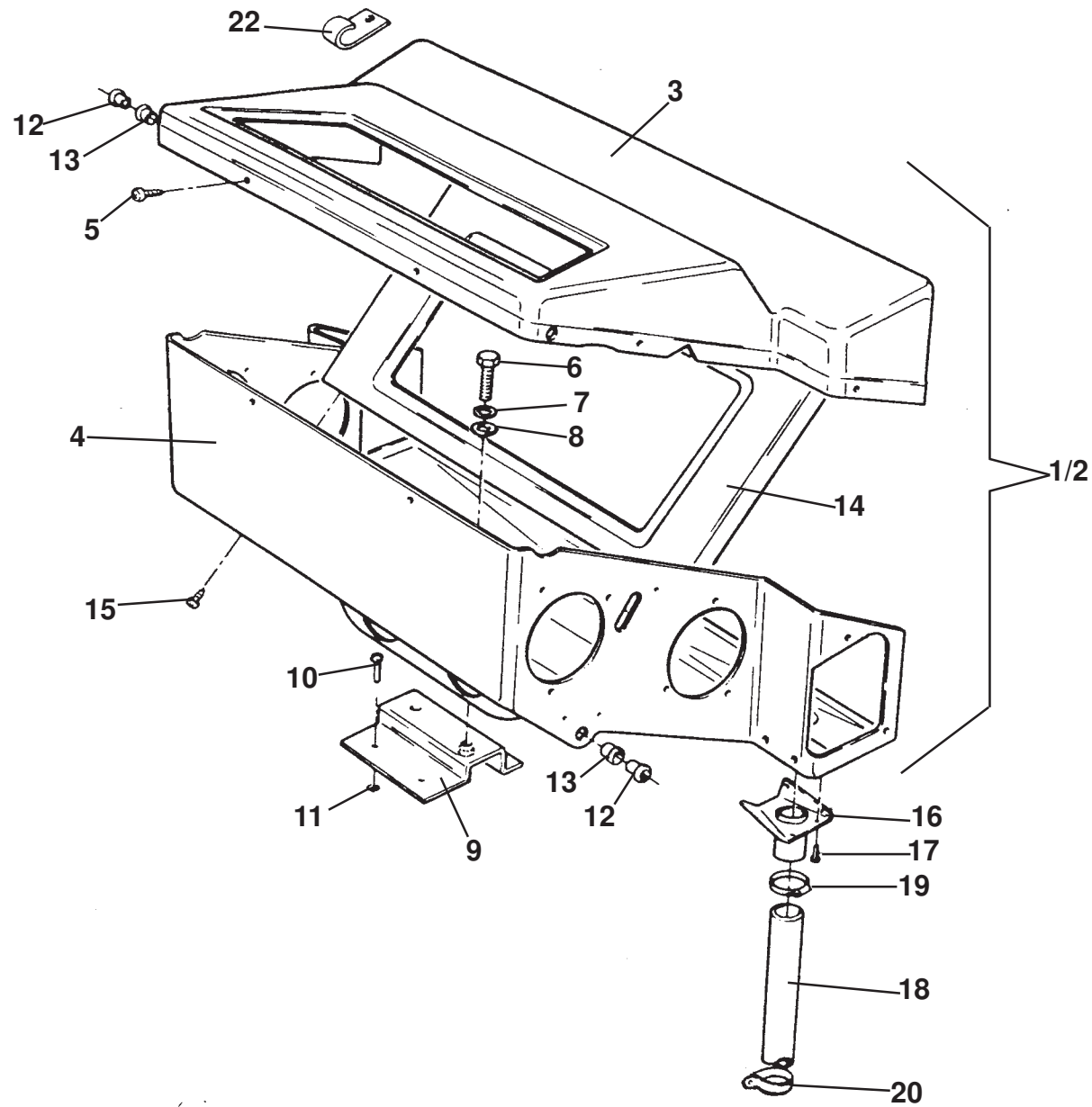
98'MY on

*Updated 3rd February 2014*

**Function Code 17.33a Security Alarm System, Cobra**

<u>Dep</u>	<u>Part Description</u>	<u>Remarks</u>	<u>Option</u>	<u>Part Number</u>	<u>Qty</u>
01	Cobra Alarm Kit 6422, 433MHz,	Not illustrated, includes items 5 - 12	'98 MY UK, Europe, Canada	<b>A082M5061F</b>	1
01a	Cobra Alarm Kit 6422, 433MHz,	Not illustrated, includes items 5 - 12	'98 MY Australia, A082M5062F R/B	<b>A082M5061F</b>	1
01b	Cobra Alarm Kit 6422, 433MHz,	Not illustrated, includes items 5 - 12	'98 MY USA, A082M5063F R/B	<b>A082M5061F</b>	1
02	Microswitch, alarm activator, doors		'98 MY	<b>A111M6035F</b>	2
03	Microswitch, alarm activator, bonnet & tailgate		'98 MY	<b>A111M6037F</b>	2
04	Microswitch Mounting Bracket		'98 MY	<b>A082M5058F</b>	2
05	Touch Key		'98 MY	<b>A111M6101S</b>	1
06	Immobiliser Module, Cobra 6422	Order against transmitter no. (on controller)	'98 MY	<b>A111M6104S</b>	1
07	Microwave Sensor		'98 MY	<b>A111M6099S</b>	1
08	Siren Unit		'98 MY	<b>A111M6098S</b>	1
09	Alarm Controller, Cobra 6422, with keys	Includes immobiliser, item 6	'98 MY	<b>A111M6105S</b>	1
10	Touch Key Receptacle		'98 MY	<b>A111M6102S</b>	1
11	Transmitter Key, casing and components		'98 MY	<b>A111M6100S</b>	1
11a	Transmitter Key, casing		'98 MY	<b>A142M6000S</b>	1
12	Alarm Tell-Tale LED	Includes leads & connector	'98 MY	<b>A111M6117S</b>	1

18



ESPRIT  
18.01

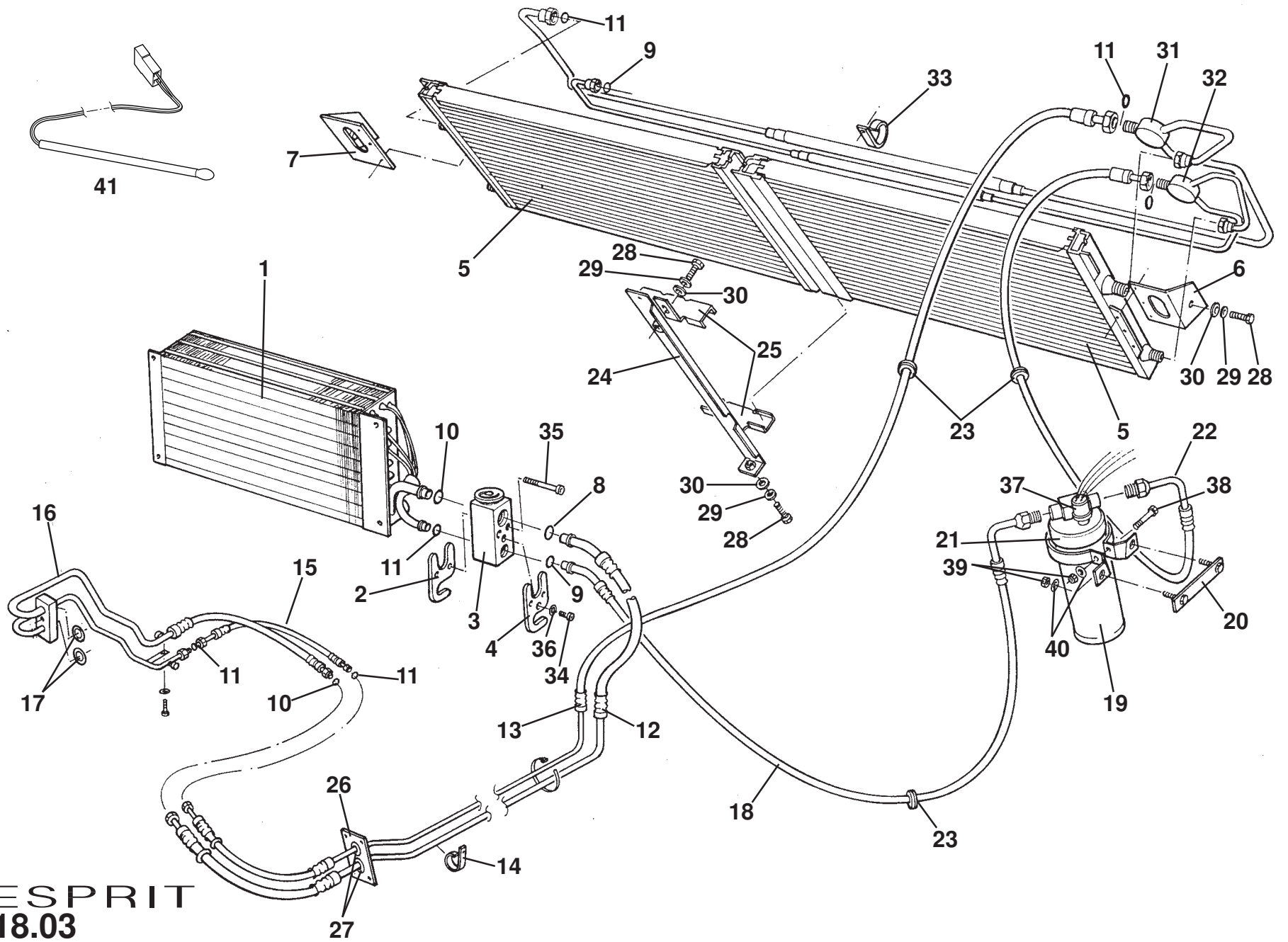


**Function Code 18.01 Heater/ Air Conditioning Assemblies, Housings**

<u>Dep</u>	<u>Part Description</u>	<u>Remarks</u>	<u>Option</u>	<u>Part Number</u>	<u>Qty</u>
01	Heater Assembly, LHD	Incl. heater matrix, vac. actuators, cables & controls	Heater cars	<b>A082P4291F</b>	1
01a	Heater Assembly, RHD	Incl. heater matrix, vac. actuators, cables & controls	Heater cars	<b>A082P4290F</b>	1
02	Heater/AC Assembly, LHD	Incl. evaporator, heater matrix, vac. actuators, cables & controls	AC cars	<b>B082P4289S</b>	1
02a	Heater/AC Assembly, RHD	Incl. evaporator, heater matrix, vac. actuators, cables & controls	AC cars	<b>B082P4288S</b>	1
03	Case, upper, heater only, LHD		Heater cars	<b>A079P4155K</b>	1
03a	Case, upper, heater only, RHD		Heater cars	<b>A079P4154K</b>	1
03b	Case, upper, AC/heater, LHD		AC cars	<b>B079P4108K</b>	1
03c	Case, upper, AC/heater, RHD		AC cars	<b>A079P4136K</b>	1
04	Case, lower, heater only, LHD		Heater cars	<b>A079P4157K</b>	1
04a	Case, lower, heater only, RHD		Heater cars	<b>A079P4156K</b>	1
04b	Case, lower, AC/heater, LHD		AC cars	<b>B079P4109K</b>	1
04c	Case, lower, AC/heater, RHD		AC cars	<b>B079P4137K</b>	1
05	Screw, upper to lower case			<b>A075W5032Z</b>	9
06	Setscrew, M6 x 12, case to mounting plate		Prior to '98MY	<b>A075W1027Z</b>	2
07	Washer, spring, M6, case to mounting plate		Prior to '98MY	<b>A075W4046Z</b>	2
08	Washer, flat, M6, case to mounting plate		Prior to '98MY	<b>A075W4013Z</b>	2
09	Mounting Plate, case to body		Prior to '98MY	<b>A079P4096Z</b>	1
10	Pop Rivet, mounting plate to body			<b>A075W6071Z</b>	2

**Function Code 18.01 Heater/ Air Conditioning Assemblies, Housings**

<u>Dep</u>	<u>Part Description</u>	<u>Remarks</u>	<u>Option</u>	<u>Part Number</u>	<u>Qty</u>
11	Washer, pop rivet to body			A075W4046Z	2
12	Bush, screen/footwell & mode flap pivot, inner			A089P0268F	4
13	Bush, screen/footwell & mode flap pivot, outer			A075P6064F	4
14	Closing Panel, mode flap			A079P4112K	1
15	Screw, closing panel to case			A075W5032Z	4
16	Drain Adapter			A079P4106Z	1
17	Pop Rivet, drain adaptor			A075W6090Z	4
18	Drain Tube, 5/8" PVC			A075U6083V	400mm
19	'P' Clip, drain tube			A075W6001F	1
20	Mounting Plate, case to body		'98MY on	A082P4481F	1
21	Pop Rivet, plate to case		'98MY on	A075W6087Z	2
22	Washer, 3/16 x 0.75", flat, pop rivet to case		'98MY on	A075W4009Z	2
23	Pop Rivet, plate to case		'98MY on	A075W6070Z	2
24	Washer, flat, 1/8 x 3/8", pop rivet to case		'98MY on	A075W4001Z	2
25	Pop Rivet, 'P' clip to body	Not illustrated		A075W6090Z	1



**ESPRIT**  
**18.03**

*Updated 27th february 2013*

# Service Parts List



## Function Code 18.03 AC Components, Pipes, Hoses

<u>Dep</u>	<u>Part Description</u>	<u>Remarks</u>	<u>Option</u>	<u>Part Number</u>	<u>Qty</u>
01	Evaporator, LHD			A082P4400F	1
01a	Evaporator, RHD			A082P4399F	1
02	Clamping Plate, evaporator to valve			A082P4401F	1
03	Expansion Valve			A082P6073F	1
04	Clamping Plate, hoses to valve			A082P4402F	1
05	Condenser			A082P6066F	2
06	Bracket, Condenser Mounting R.H			A082P4395F	1
07	Bracket, Condenser Mounting L.H.			A082P4394F	1
08	'O' Ring			A082P6081F	1
09	'O' Ring			A082P6078F	5
10	'O' Ring			A082P6080F	2
11	'O' Ring			A082P6079F	6
12	Hose Assembly, suction			A082P4386F	1
13	Hose Assembly, discharge			A082P4387F	1
14	'P' Clip, hose fixing			A075H6018Z	1
15	Hose Assembly, discharge	Flexi hose		A082P4385F	1
16	Pipe & Hose Assembly, suction	Flexi hose & metal pipes to pump	A082P4384F R/B	A082P4469F	1
17	'O' Rings, hose assembly			A082P6076F	2

**Function Code 18.03 AC Components, Pipes, Hoses**

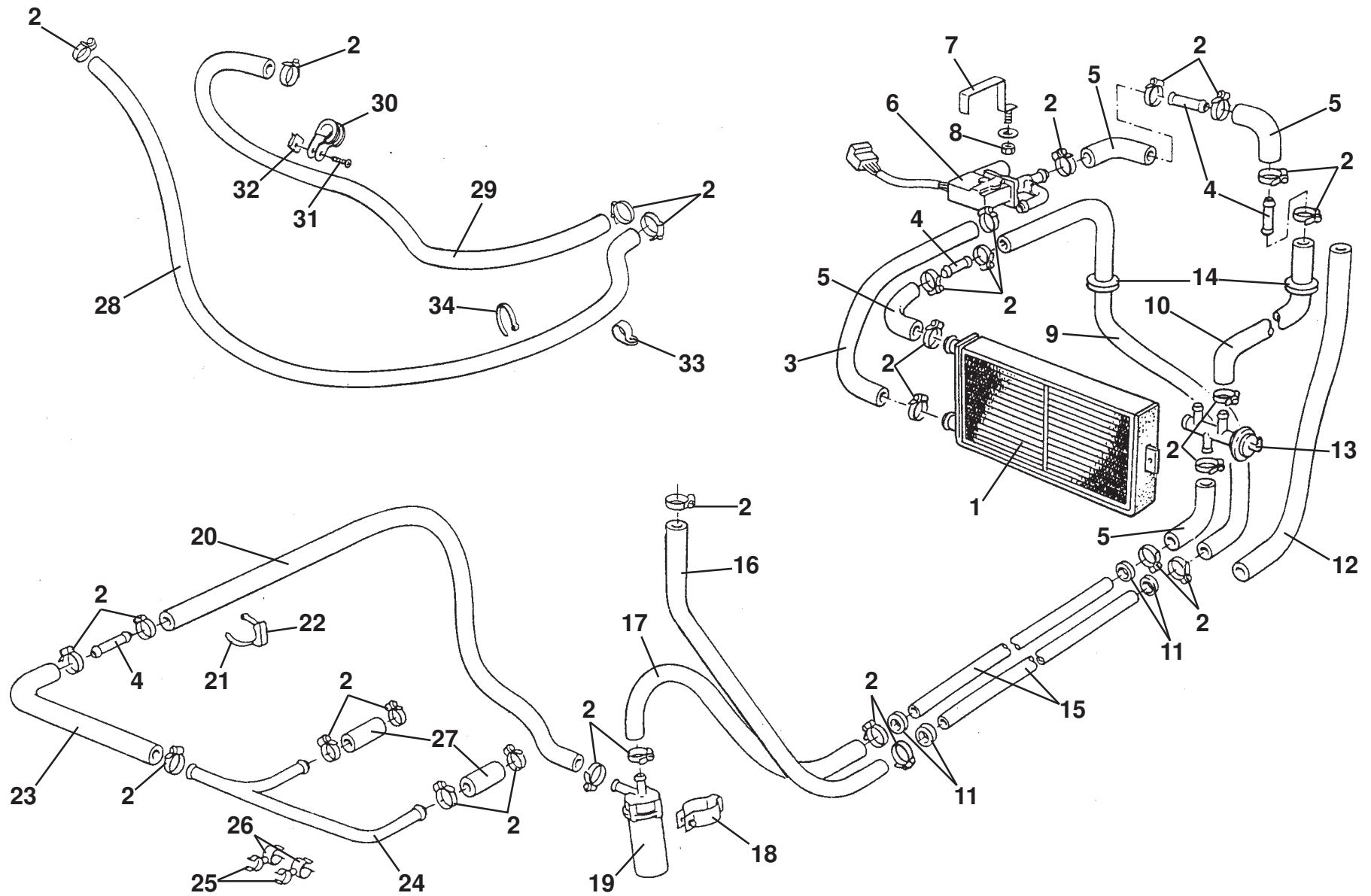
<u>Dep</u>	<u>Part Description</u>	<u>Remarks</u>	<u>Option</u>	<u>Part Number</u>	<u>Qty</u>
18	Hose Assembly, receiver drier to expansion valve			A082P4381F	1
19	Receiver Drier			A082P4378F	1
20	Stud Plate, receiver drier clamp to body			A082P4407F	1
21	Clamp, receiver drier mounting			A082P4396F	1
22	Hose, condenser to reciever drier			A082P4382F	1
23	Grommet, hoses thro' body			B075P6021F	3
24	Centre Stay, condenser mounting			A082U7727Z	1
25	Bracket, stay to condenser			A082U7724Z	2
26	Grommet Plate			A082P4403F	1
27	Grommet, pipes thro' plate			X036M6289Z	2
28	Bolt, M6 x 16, hex. hd., stay & bracket fix.			A075W1028Z	4
29	Washer, spring, M6			A075W4035Z	4
30	Washer, flat, M6			A075W4015Z	4
31	Pipe, compressor discharge to condenser			B082P4379F	1
32	Pipe, condenser outlet to receiver drier			A082P4383F	1
33	'P' Clip,			A075W6230F	1
34	Screw, M6 x 16, cap hd., skt., plate to connector			A075W7017F	1
35	Screw, M5 x 40, cap hd., skt., plates to connector			A100W7081F	2
36	Washer, spring, M6			A075W4035Z	1
37	Trianary Switch, receiver drier			A082P6075F	1
38	Screw, M6 x 30, hex. hd., clamp to reciever drier			A075W1032Z	1

18

---

**Function Code 18.03 AC Components, Pipes, Hoses**

<u>Dep</u>	<u>Part Description</u>	<u>Remarks</u>	<u>Option</u>	<u>Part Number</u>	<u>Qty</u>
39	Washer, flat, M6 x 15 x 1.5, clamp fixing			A075W4015Z	3
40	Nyloc Nut, M6, clamp fixing			A075W3009Z	3
41	Thermister			A082M6408F	1



**ESPRIT**  
**18.05**

# Service Parts List



## Function Code 18.05 Heater, Pipes, Hoses

<u>Dep</u>	<u>Part Description</u>	<u>Remarks</u>	<u>Option</u>	<u>Part Number</u>	<u>Qty</u>
1	Heater Matrix			B075P6055F	1
2	Hose Clip, heater hoses			A079K6018F	25
3	Hose, valve to heater			B079P4142F	1
4	Connector Pipe			B075K0111Z	4
5	Elbow Hose			A075P0189F	4
6	Water Valve, electric		'98 MY on	A082P4461F	1
06a	Water Valve		Prior to '98 MY	A075P6060F	1
7	Clamping Bracket			A082P4471F	1
8	Nyloc Nut M5			A075W3008F	1
9	Hose, return from matrix			A079P4056F	1
10	Hose, feed to water valve, LHD	Cut to fit		A079P4056F	1
10a	Hose, feed to water valve, RHD	Cut to fit		A079P4056F	1
11	Grommet, heater pipes thro' chassis			B075P6021F	2
12	Hose, feed, to water valve	Without recirculation system	GT3	A082K4295F	1
13	Diverter Valve, recirculation system			A082K6072F	1
14	Grommet, hoses thro' body			A079K6004F	4
15	Water Pipe, thro' chassis			A082P4200F	2
16	Hose, return, chassis pipe to engine			A082K4294F	1

Function Code: 18.05, Page: 1

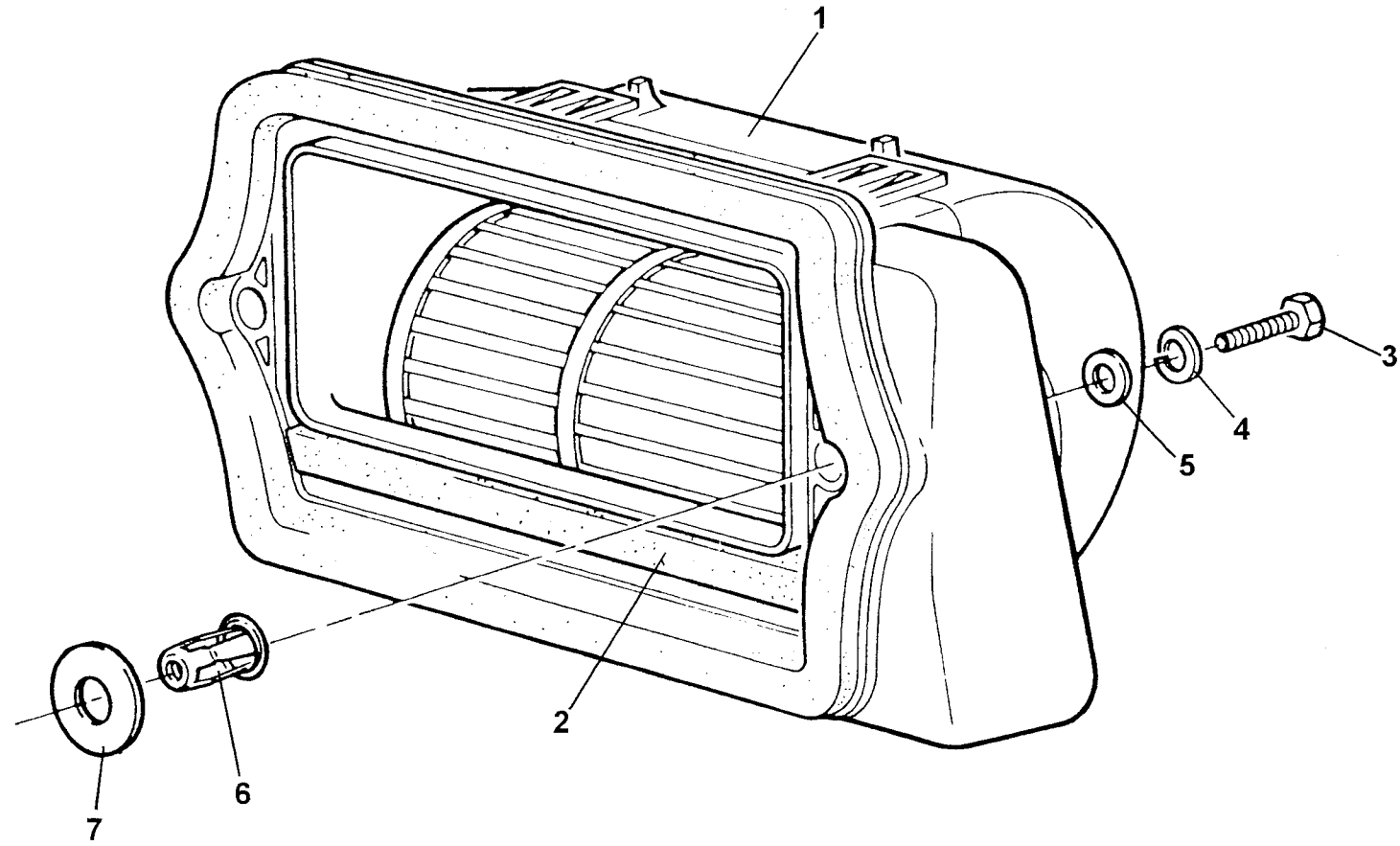
Updated 28th January 2011



**Function Code 18.05 Heater, Pipes, Hoses**

<u>Dep</u>	<u>Part Description</u>	<u>Remarks</u>	<u>Option</u>	<u>Part Number</u>	<u>Qty</u>
17	Hose, feed, recirculation pump, to chassis pipe			A082K4282F	1
18	Bracket, re-circ. pump mounting			B100K0040F	1
19	Recirculation Pump			A082K4263F	1
20	Hose, feed , connector to recirculation pump	Make from B079P4057F		A082K4283F	1
21	Cable Tie, hose retention			A082W6286F	1
22	Cradle, cable tie			A082W6293F	1
23	Hose, feed, 290mm, manifold pipe to connector	Cut to fit		B079P4056F	1
24	Manifold Pipe, heater feed			A082P4414F	1
25	Swivel Pipe Clip, female			A082W6615F	2
26	Swivel Pipe Clip, male			A089W6288F	2
27	Hose, 80mm, manifold pipe to engine	Cut to fit		A079P4056F	2
28	Hose, feed, head to chassis pipe		GT3	B079P4057F	1
29	Hose, return, chassis pipe to coolant pump		GT3	A079K4028F	1
30	'P' Clip, hose securing		GT3	A910E6743F	1
31	Screw. No, 10 x 0.75", pan. hd. pozi., 'P' clip fix.		GT3	A075W5041Z	1
32	Spire Nut, No. 10,, 'P' clip fix.		GT3	A082W6322F	1
33	'P' Clip, hose securing		GT3	A910E6490F	2
34	Cable Tie, hose to chassis		GT3	A075W6038Z	2

18

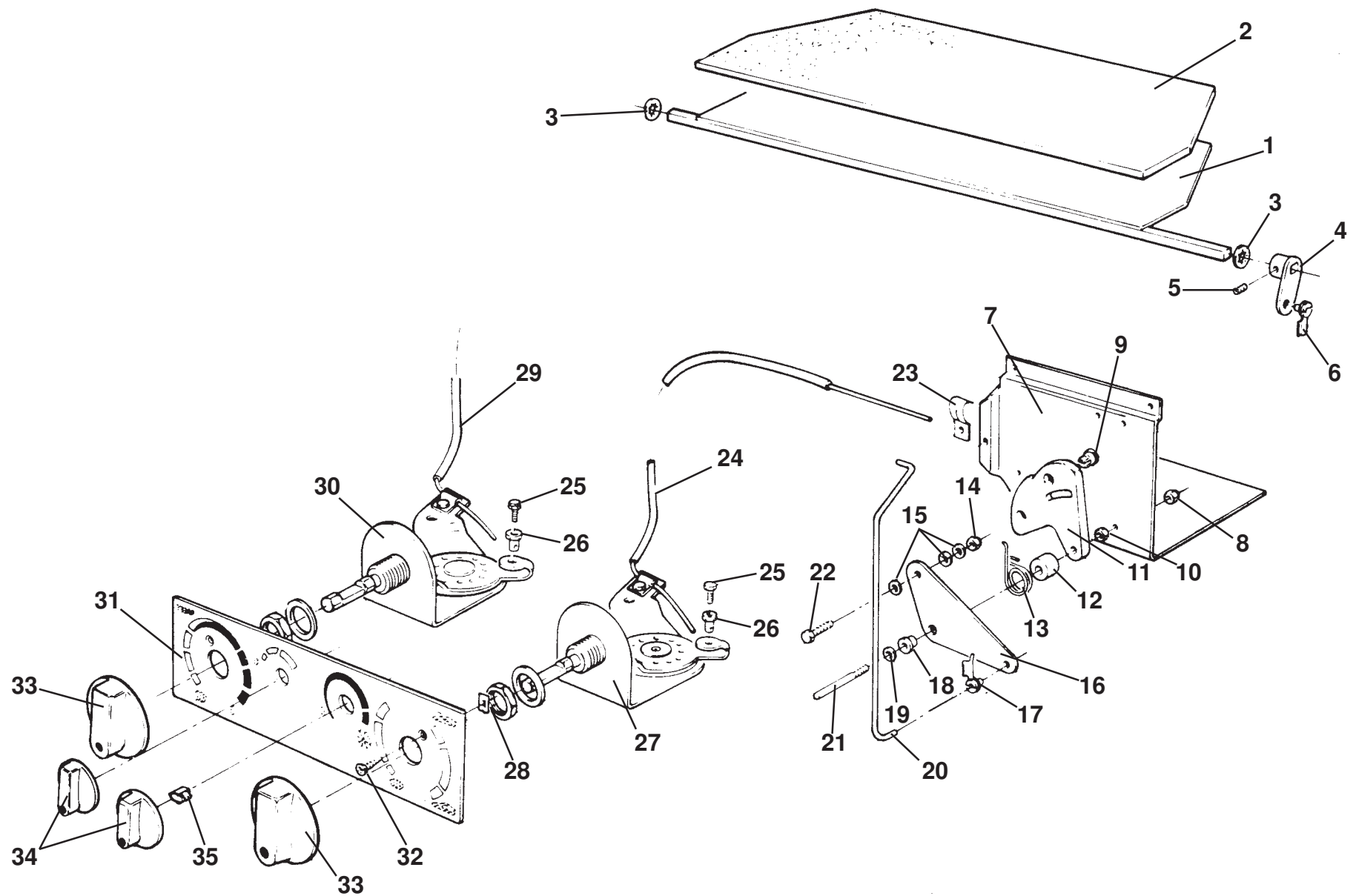


ESPRIT  
18.07a

---

**Function Code 18.07a AC/Heater Interior Blower Motor**

<u>Dep</u>	<u>Part Description</u>	<u>Remarks</u>	<u>Option</u>	<u>Part Number</u>	<u>Qty</u>
1	Interior Blower Motor Assembly			A082M6619F	1
2	Foam Seal, blower motor to bulkhead			A082U6065V	160mm
3	Setscrew, M6 x 30, motor to bulkhead			A075W1032Z	2
4	Washer, spring, M6, motor to bulkhead			A075W4035Z	2
5	Washer, flat, M6, motor to bulkhead			A075W4015Z	2
6	Jacknut, M6, motor to bulkhead			A075W3034Z	2
7	Washer, flat, M10, jacknut reinforcing			A075W4025Z	2



**ESPRIT**  
**18.09**

# Service Parts List



## Function Code 18.09 Driver Operated Controls

<u>Dep</u>	<u>Part Description</u>	<u>Remarks</u>	<u>Option</u>	<u>Part Number</u>	<u>Qty</u>
01	Flap, screen/footwell, LHD			A079P4175F	1
01a	Flap, screen/footwell, RHD			B079P4017F	1
02	Foam, screen/footwell flap			B036B6197V	1
03	Clip, screen flap pivot shaft ends			A075W6173F	2
04	Lever, screen flap operating			A079P4101F	1
05	Grubscrew, lever to screen flap shaft			A075W7023Z	1
06	Clip, operating rod to screen flap			A075U6033F	1
07	Mounting Plate, control assy.			A082P4300F	1
08	Nyloc Nut, 10 UNF , pivot stud to plate			A075W3000Z	1
09	Trunnion, cable to cam			B075W6121F	1
10	Nut, 10 UNF, pivot stud to plate			A075W3013Z	1
11	Cam, vacuum valve operating			B082P4281F	1
12	Spacer, lever to cam			A075P0229F	1
13	Spring, cam return, LHD			A079P4103F	1
13a	Spring, cam return, RHD			B075P0176F	1
14	Nyloc Nut, 10 UNF , cam setscrew			A075W3000Z	1
15	Washer, cam setscrew			A075W4011Z	3
16	Bellcrank lever, screen/footwell flap			A082P4184K	1

Function Code: 18.09, Page: 1

Updated 6th February 2013

**Function Code 18.09 Driver Operated Controls**

<u>Dep</u>	<u>Part Description</u>	<u>Remarks</u>	<u>Option</u>	<u>Part Number</u>	<u>Qty</u>
17	Clip, bellcrank lever to screen flap rod			A075U6033F	1
18	Bush, lever pivot			A075P0162K	1
19	Clip, lever pivot			A075M6173F	1
20	Rod, screen/footwell flap operating, LHD			A082P4246F	1
20a	Rod, screen/footwell flap operating, RHD			B079P4017F	1
21	Stud, 10 UNF, cam/lever pivot			A075P0225F	1
22	Setscrew, 10 UNF x 5/8", cam operating			A075W1001Z	1
23	Clamp, cable to mounting plate			A082P4244F	1
24	Control Cable, air distribution, (black)			B082P4287F	1
25	Screw, Cable to nipple/trunnion			B074K6002Z	2
26	Nipple/Trunnion, rotary control			A074K6001Z	2
27	Rotary Control, air distribution			B082P4196F	1
28	Spire Nut, graphic panel fixing			A075W6014Z	2
29	Control Cable, temperature (green)			B082P4295F	1
30	Rotary control, temperature			B082P4196F	1
31	Graphics Panel, AC/heater			D082P4302F	1
31a	Graphics Panel, heater only			D082P4303F	1
32	Screw, No 6, graphic panel fixing			A075W5029Z	2
33	Knob, rotary controls / heat & distribution			A082P4349F	2
34	Knob, fan speed / fridge switch			A082P4350F	2
35	Spring Clip, Knob fixing			A082W6493F	2

18

---

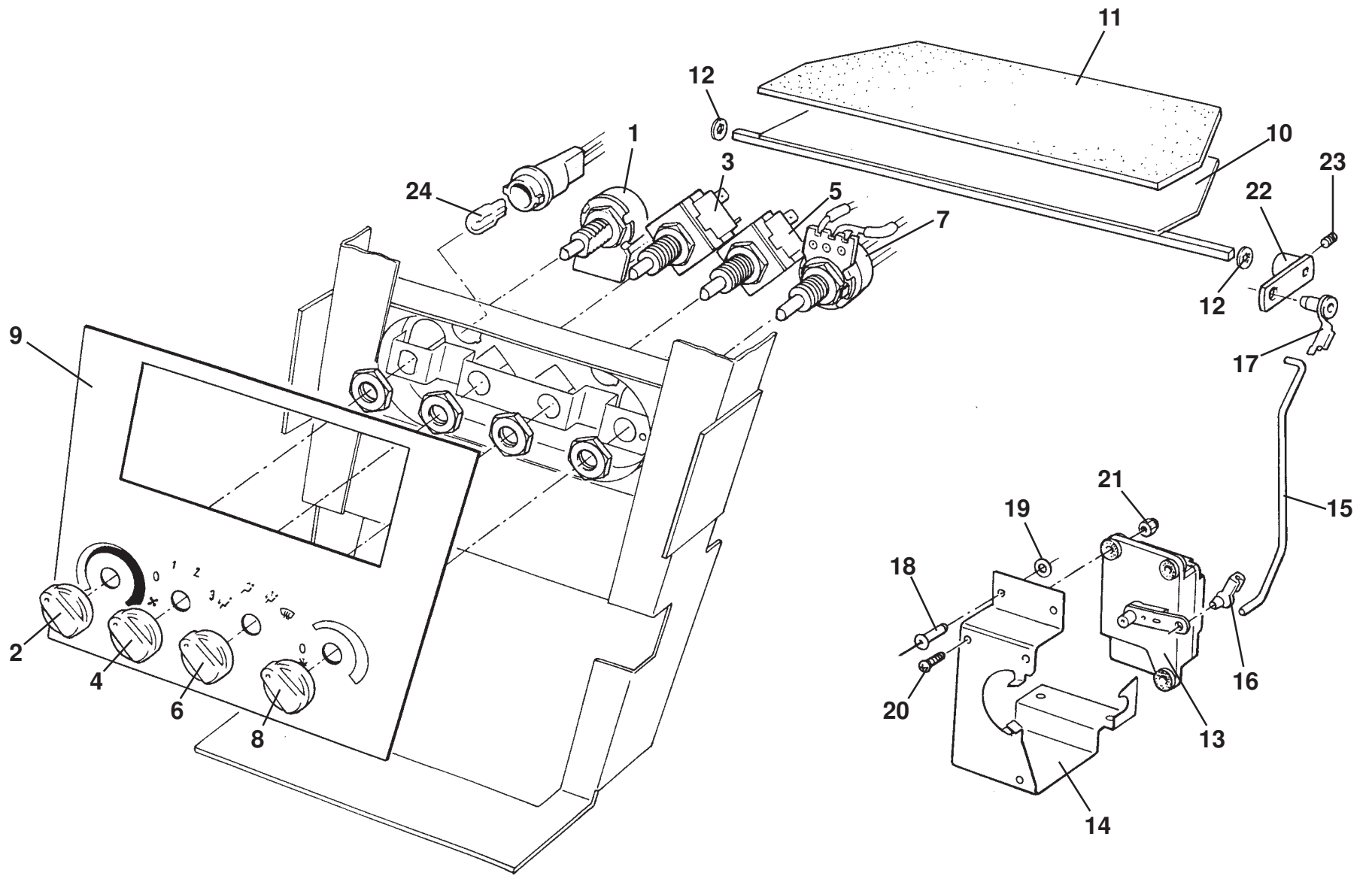
**Function Code 18.09 Driver Operated Controls**

<u>Dep</u>	<u>Part Description</u>	<u>Remarks</u>	<u>Option</u>	<u>Part Number</u>	<u>Qty</u>
36	Switch, refridgeration control			A082M6221F	1
37	Switch, interior fan speed control			A082M6223F	2

---

---

18



**ESPRIT**  
**18.09a**



# Service Parts List



## Function Code 18.09a AC/Heater Driver Operated Controls

<u>Dep</u>	<u>Part Description</u>	<u>Remarks</u>	<u>Option</u>	<u>Part Number</u>	<u>Qty</u>
01	Switch, temperature control			A082M5076F	1
02	Knob, temperature control			A082P4350F	1
02a	Knob, temperature control, alloy, anodised		'Final Edition'	A082P4493F	1
03	Switch, fan speed	Also '96 & '97 MY		A082M6223F	1
04	Knob, fan speed			A082P4350F	1
04a	Knob, fan speed, alloy, anodised		'Final Edition'	A082P4493F	1
05	Switch, distribution control			A082M6223F	1
06	Knob, distribution control			A082P4350F	1
06a	Knob, distribution control, alloy, anodised		'Final Edition'	A082P4493F	1
07	Switch, refrigeration control	Also '96 & '97 MY		A082M6221F	1
08	Knob, refrigeration control			A082P4350F	1
08a	Knob, refrigeration control, alloy, anodised		'Final Edition'	A082P4493F	1
09	Graphics Panel, heater/AC controls	Self adhesive		A082P4443F	1
09a	Backing Panel, clear, heater/AC controls			A082P4445F	1
10	Flap, screen/footwell, RHD			B079P4017F	1
10a	Flap. screen/footwell, LHD			B079P4015F	1
11	Foam, screen/footwell flap			B036B6197V	1
12	Retaining Clip, flap pivot shaft			A075W6173F	2

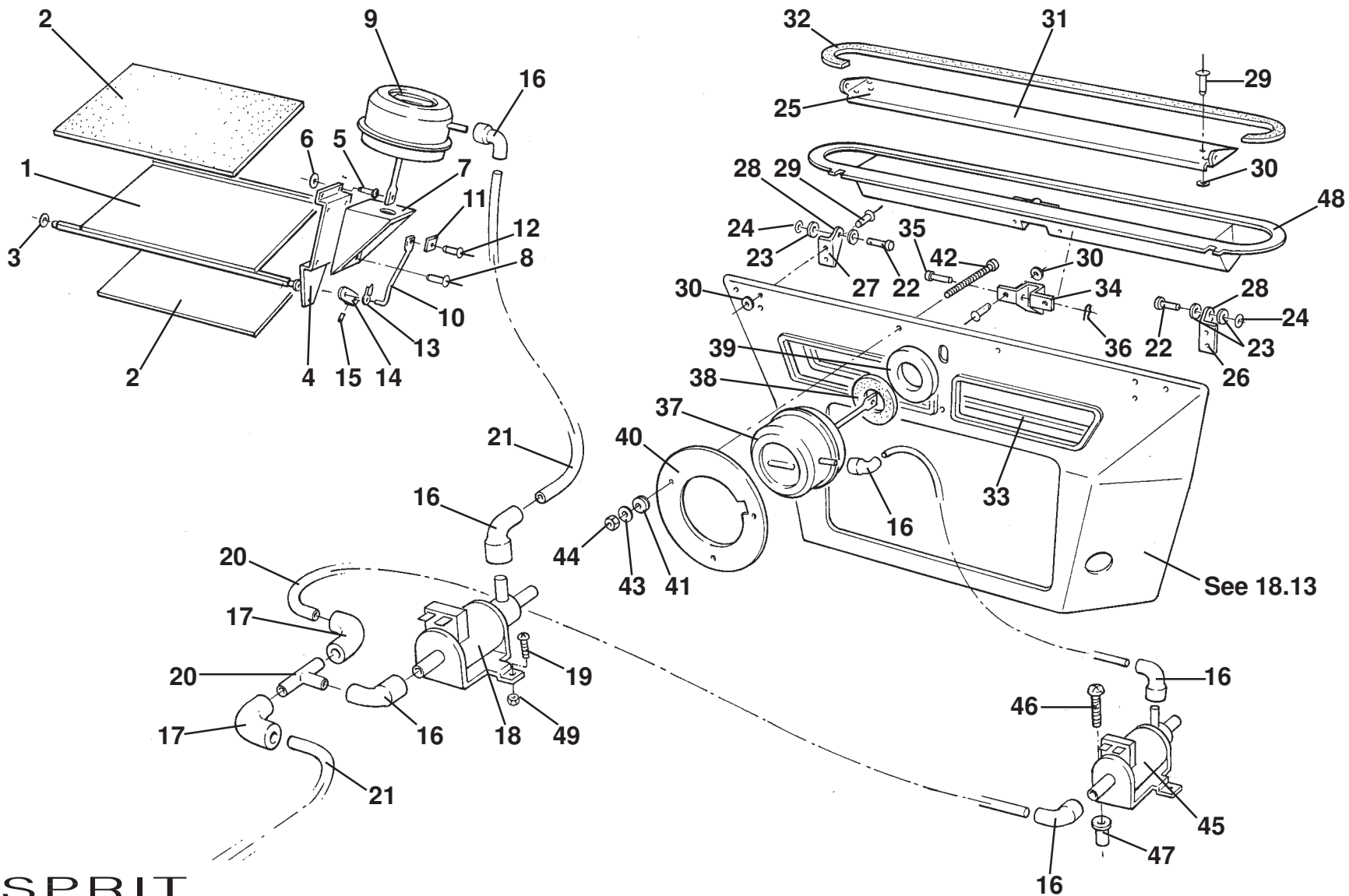
Function Code: 18.09a, Page: 1

Updated 28th January 2011

---

**Function Code 18.09a AC/Heater Driver Operated Controls**

<u>Dep</u>	<u>Part Description</u>	<u>Remarks</u>	<u>Option</u>	<u>Part Number</u>	<u>Qty</u>
13	Steppermotor, flap actuation	Comes with LHD bracket		A082P4462F	1
14	Bracket, steppermotor mounting	RHD only		A082P4467F	1
15	Rod, flap actuation			A082P4460F	1
16	Clip, rod to steppermotor lever			A075U6033Z	1
17	Clip, rod to flap lever			A082U6267F	1
18	Pop Rivet, bracket fix.			A075W6090Z	4
19	Washer, flat			A075W4001Z	4
20	Screw, pan hd. pozi., steppermotor fix.			A082W5141F	2
21	Nyloc Nut			A075W3049F	2
22	Lever, flap actuation			A079P4100F	1
23	Grubscrew, lever to shaft			A075W7023Z	1
24	Bulb, panel illumination			A082M6077S	2



**ESPRIT**  
**18.11**

*Updated 6th February 2013*

# Service Parts List



## Function Code 18.11 AC Vacuum Controls

<u>Dep</u>	<u>Part Description</u>	<u>Remarks</u>	<u>Option</u>	<u>Part Number</u>	<u>Qty</u>
01	Mode Flap, LHD			C079P4014F	1
01a	Mode Flap, RHD			C079P4176F	1
02	Foam Seal, mode flap			C079P4161K	2
03	Retaining Clip, mode flap pivots			A075W6173F	2
04	Mounting Plate, actuator bracket			B079P4093F	1
05	Pop Rivet, plate to case			A075W6090Z	5
06	Washer, flat, plate to case			A075W4001Z	5
07	Bracket, vacuum actuator mounting			B075P0170F	1
08	Pop Rivet, bracket to plate			A075W6071Z	4
09	Vacuum Actuator, mode flap			B075P6059F	1
10	Rod, actuator to mode flap			A075P0234F	1
11	Locking Tab, actuator to rod			A079P4149K	1
12	Pop Rivet, locking tab to lever			A075W6090Z	1
13	Clip, mode flap to lever			A075U6033F	1
14	Lever, mode flap operating			A079P4100F	1
15	Grub Screw, lever to flap rod			A075W7023Z	1
16	Elbow Connector, unequal bore			A075P6069F	7
17	Elbow Connector			A075P6079F	2



**Function Code 18.11 AC Vacuum Controls**

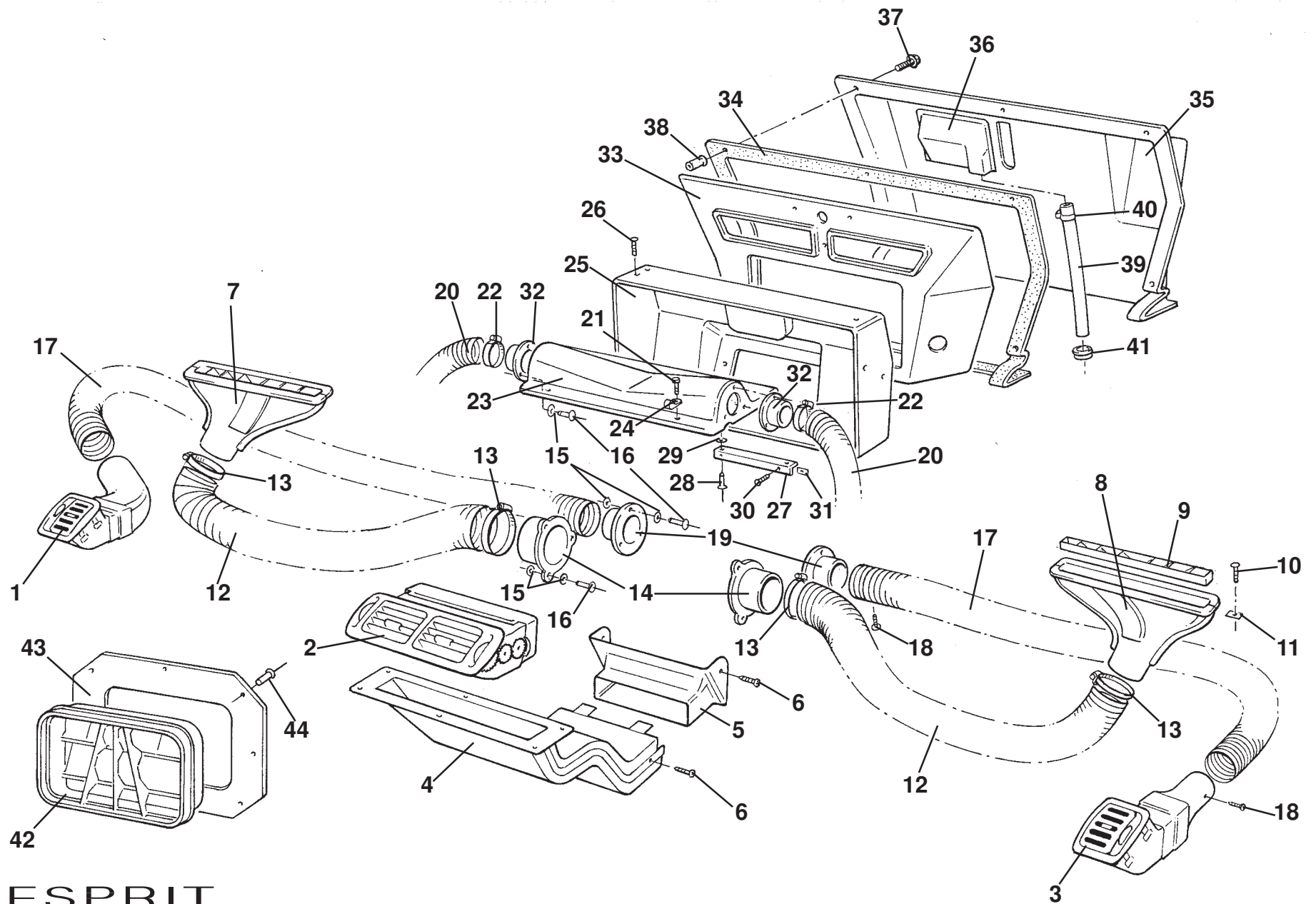
<u>Dep</u>	<u>Part Description</u>	<u>Remarks</u>	<u>Option</u>	<u>Part Number</u>	<u>Qty</u>
18	Solenoid Valve, actuator control, mode flap		'98 MY on*	A082M6666F	1
19	Screw, No.8 x 3/8", pan hd, pozi., S/T, solenoid fixing		Non SIR cars,'98 MY on	A075W5032Z	2
20	'T' Piece, vac. hose connecting			B075P6081F	1
21	Vacuum Hose	Cut to fit		A075P6068V	6m
22	Clevis Pin, flap pivot			A075P6027Z	2
23	Washer, clevis pin to bracket			A075W4001Z	4
24	Spire Clip, clevis pin retention			A075W6022Z	2
25	Flap Hinge, fresh air/re-circ.			A082P4273J	1
26	Bracket, flap supporting, RH			B082P4276F	1
27	Bracket, flap supporting, LH			B082P4277F	1
28	Bush, flap support bracket			A082P6058F	2
29	Pop Rivet, brackets fixing			A075W6071Z	6
30	Washer, brackets fixing			A075W4001Z	6
31	Pivot Bracket, fresh air/re-circ. flap			A082P4275F	1
32	Foam Seal, flap to plenum			B082P4265F	1
33	Foam Seal, flap to body			C082P4270F	1
34	Pivot Bracket, actuator to flap			A082P4275F	1
35	Clevis Pin, bracket to rod			A075P6027Z	1
36	'R' Clip, 3/16", pin retaining			A082W6348F	1
37	Vacuum Actuator, fresh air/re-circ flap			B075P6059F	1
38	Pad, actuator insulating			A082P4341F	1

18

**Function Code 18.11 AC Vacuum Controls**

<u>Dep</u>	<u>Part Description</u>	<u>Remarks</u>	<u>Option</u>	<u>Part Number</u>	<u>Qty</u>
39	Spacer, actuator mounting,			A082P4279F	1
40	Clamping Ring, actuator fixing			C082P4280F	1
41	Grommet, clamping ring			A082P6057F	3
42	Screw, M3 x 35, clamping ring to plenum			A082W5122F	3
43	Washer, flat, M3, clamping ring to plenum			A075W4001F	6
44	Nyloc Nut, M3, clamping ring to plenum			A079W3060F	3
45	Solenoid Valve, actuator control, fresh air/re-circ flap		'98 MY on*	A082M6666F	1
46	Screw, M4 x 20, pan hd., pozi., solenoid to bracket		'98 MY on	A075W5081F	1
47	Rawlnut, M4, rubber, solenoid & bracket fix.	For bracket & modules see 17.03	'98 MY on	B082W6350F	1
48	Flap, fresh air/recirc.			B082P4268K	1
48a	Closing Plate, ABS, fresh air flap	Not illustrated		A082P4274F	1
48b	Foam Filler, beam to heater	Not illustrated		A082B4994C	1
49	Nyloc Nut, M4, solenoid to SIR bracket		SIR cars, '98 MY on	A075W3049F	2

\*For vac. switches & hoses prior to '98 MY see Esprit '93 to '96  
Parts List: M082T0325J



**ESPRIT**  
**18.13**

# Service Parts List



## Function Code 18.13 Air Trunking, Ducts & Ventilators

<u>Dep</u>	<u>Part Description</u>	<u>Remarks</u>	<u>Option</u>	<u>Part Number</u>	<u>Qty</u>
01	Face Level Vent, LH			A082P6085F	1
02	Face Level Vent, centre			A082P6083F	1
03	Face Level Vent, RH			A082P6084F	1
04	Duct, adaptor to centre face level vent			A082P4424J	1
05	Adaptor, duct to casing, RHD			A082P4439F	1
05a	Adaptor, duct to casing, LHD			A082P4434K	1
06	Screw, No.8 x 0.5", adaptor to casing			A075W5034Z	4
07	Demist Duct, LH			A082P4459K	1
08	Demist Duct, RH			A082P4458K	1
09	Demist Vent, air directing	Bonded to ducts		B079P4039F	2
10	Screw, No.6 x 0.5", demist ducts to body			A075W5015Z	4
11	Spirenut, No.6, demist ducts to body			A075W6014Z	4
12	Hose, adaptor to demist duct			A079P6007V	1m
13	Hose Clip, demist hose to adaptor			A100E6082F	4
14	Adaptor, casing to demist hose			A079P4119K	2
15	Pop Rivet, adaptors to casing			A075W6090Z	18
16	Washer, flat, adaptors to casing			A075W4001Z	30
17	Hose, adaptor to outer face level vents			A079P4005V	0.8m

Function Code: 18.13, Page: 1

Updated 2nd February 2015



**Function Code 18.13 Air Trunking, Ducts & Ventilators**

<u>Dep</u>	<u>Part Description</u>	<u>Remarks</u>	<u>Option</u>	<u>Part Number</u>	<u>Qty</u>
18	Screw, No.6 x 3/8", face level vent hose fix.			A075W5011Z	4
19	Adaptor, casing to outer face level vent hose			A079P4120K	2
20	Hose, adaptor to footwell			A075P6066V	1m
21	Screw, No.8 x 0.75", duct to casing			A075W5032Z	4
22	Hose Clip, footwel hose to adaptor			A075M6145F	2
23	Duct/Adaptor, footwell outlets			A079P4117K	1
24	'P' Clip, speaker cable			A075W6223F	2
25	Mounting Panel, interior blower motor			D082P4259K	1
26	Screw, No.8 x 0.5", panel to casing			A075W5031Z	4
27	Angle Bracket, panel to body			A082P4346F	1
28	Pop Rivet, bracket to panel			A075W6090Z	2
29	Washer, flat, pop rivet to panel			A075W4001Z	2
30	Screw, No.6 x 0.5", bracket to body			A075W5020F	2
31	Spire Nut, No.6, bracket to body			A075W6014Z	2
32	Adaptor, duct to footwell hose			A075P0150F	2
33	Blanking Panel, bulkhead aperture, RHD			A082P4272K	1
33a	Blanking Panel, bulkhead aperture, LHD			A082P4271K	1
34	Foam Seal, plenum cover to bulkhead			A082U6067F	1.8m
35	Plenum Cover			B082B4804K	1
36	Adaptor, plenum cover to drain hose			A082P4283J	1
37	Screw, M5 x 20, flg. hd., plenum to bulkhead	Black finish		A082W5205F	7

18

---

**Function Code 18.13 Air Trunking, Ducts & Ventilators**

<u>Dep</u>	<u>Part Description</u>	<u>Remarks</u>	<u>Option</u>	<u>Part Number</u>	<u>Qty</u>
38	Rawlnut, M5, plenum to bulkhead			A075W6074F	7
39	Tubing, plenum drain			A075U6083V	22cm
40	Snapper Clip, tube to plenum cover			A082W6315F	1
41	Grommet, drain tube thro' body			A075P6096Z	1
42	Ventilator, rear luggage compartment			A082P4354F	1
43	Plinth, ventilator mounting			A082P4355F	1
44	Pop Rivet, plinth to body			A076W6099F	8

THE SPARE WHEEL SUPPLIED WITH THIS VEHICLE IS FOR EMERGENCY USE ONLY, AND SHOULD BE REPLACED WITH THE NORMAL WHEEL AND TYRE EQUIPMENT AS SOON AS POSSIBLE. WHEN THE SPARE WHEEL IS IN USE, DIFFERENTIAL TYRE WEAR WILL BE EXPERIENCED, AND THE HANDLING CHARACTERISTICS OF THE CAR WILL BE MODIFIED. IT IS THEREFORE ADVISABLE TO OBSERVE THE FOLLOWING RECOMMENDATIONS:

1. Less than moderate speeds and cornering loads should be employed, i.e. no more than half the care potential relative to the pertaining road conditions, subject to a recommended maximum speed of 50mph (80kph) under the most favourable circumstances.
2. When following other vehicles, Lotus recommend that you observe the U.K. Highway Code or the American Safety Council guidelines for vehicle spacing; this advice applies equally to spare wheel usage as to all other motoring situations.
3. Only one temporary spare wheel may be fitted to the vehicle at any one time.
4. Spare wheel tyre pressure: 50p.s.i. / 4.1Bar.

13R - 01387096	10K - 0195005	E1	14R - 02870944
13R - 0195005	13R - 0195015		
14R - 0092018	10K - 0192005	E1	11R - 020183
10K - 0195005	14R - 0094003		13R - 02074
14R - 0086011	14R - 0092004		
13R - 0195020	11R - 0294011		
15R - 0095004	11R - 0095002		

**LOTUS**

**IMPORTANT**  
Protect your asset, and ensure optimum performance and mileage, by not exceeding 3,000 r.p.m. for the First 500 Miles, 800 Km., then 4,500 r.p.m. for the Next 1,000 Miles, 1,600 Km. Avoid excessive throttle and long periods of idling.

LOTUS CARS LTD. HETHEL, ENGLAND.  
ENGINE NUMBER LB91896028110



**EXHAUST SYSTEM CAUTIONS**  
Your new Lotus vehicle is equipped with a catalytic converter to comply with Federal and State emission control requirements.  
To ensure that the catalyst and other emission control devices operate properly you must use only unleaded fuel. It is also important that you follow the maintenance schedule in your owners handbook at the specified time and mileage intervals.  
It is important to keep your new vehicle in proper operating condition. Failure to do so will result not only in a loss of fuel economy and emission control, but also cause damage to the catalytic converter, if an engine malfunction should occur, particularly involving engine misfire or other noticeable loss of performance. Do not continue to operate the vehicle in that condition but have it serviced promptly. Continued operation of your vehicle with a severe malfunction could cause the converter to overheat with possible damage to the converter and the vehicle. Refer to your owners handbook for further information.  
As with any vehicle do not park or operate this vehicle in areas where combustible materials, such as grass or leaves, can come into contact with a hot exhaust system. Under certain wind and weather conditions these materials could be ignited by a hot exhaust.

LOTUS CARS LTD. HETHEL, ENGLAND.  
ENGINE EDN/TYPE 918 L0950001

**LOTUS RECOMMEND**  
Mobil

COVER L0950008  
FILTER L0950005



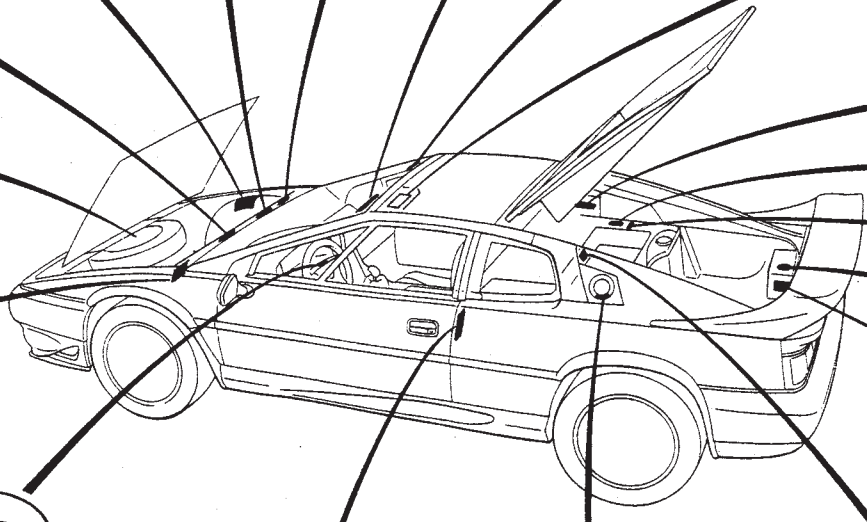
**POISON / DANGER**  
CAUSES SEVERE BURNS  
CONTAINS SULFURIC ACID - AVOID CONTACT WITH SKIN, EYES OR CLOTHING. - INTERNAL - FLUSH WITH WATER IMMEDIATELY. - EXTERNAL - FLUSH WITH WATER IMMEDIATELY. - DRINK LARGE QUANTITIES WATER OR MILK. FOLLOW WITH MILK OR MAGNESIA. SEVERE EGG OR RED OIL. CALL MEDICAL IMMEDIATELY. EYES FLUSH WITH WATER FOR 15 MINUTES AND GET PROMPT MEDICAL ATTENTION.  
BATTERIES PRODUCE EXPLOSIVE GASES. KEEP SPARKS, FLAME CIGARETTES AWAY. VENTILATE WHEN CHARGING OR USING IN ENCLOSED SPACE. ALWAYS WEAR EYE PROTECTION NEAR BATTERIES. KEEP OUT OF REACH OF CHILDREN.

WARNING!  
CLOSE ROOF PANEL  
BEFORE OPENING T/GATE

PREMIUM UNLEADED  
FUEL ONLY

CAUTION!  
HOT SURFACE

**ESPRIT**  
19.01



21

18, 19, 20

17

11, 12

13

14

15

16

1

15

7

2

8

4

5

3

9

10

A08ZU7838

A08ZU7744

A08ZU787

A08ZU7350

# Service Parts List *1/8*



## Function Code 19.01 Labels, Certificates, Literature etc.

<u>Dep</u>	<u>Part Description</u>	<u>Remarks</u>	<u>Option</u>	<u>Part Number</u>	<u>Qty</u>
01	Label, VIN (main)	See LSL632	A082U7822K R/B	F075U1186K	1
02	Label, engine number			A082U7394K	1
03	Label, VIN	Fits to windscreen top, see LSL632		B079U4666K	1
04	Label, 'E' mark			E082U7786F	1
05	Label, headlamp levelling,			B082U7039F	1
06	Label, spare wheel warning, 50 mph			A100U0406F	1
07	Label, spare wheel warning, 80 kmh		European	A100U0892F	1
08	Label, spare wheel, instructions for use			A082U7636F	1
09	Label, 'running in', instructions			A075B0958F	1
10	Label, exhaust system caution			C075U1139F	1
11	Label, E.C.M. ID		USA spec	A082U7808K	1
11a	Label, E.C.M. ID		USA, 2002 MY	A082U7977K	1
12	Label, E.C.M. ID		UK, Euro, Australia	A082U7879K	1
12a	Label, E.C.M. ID		Euro, 2002 MY	A082U7973K	1
13	Label, recommended oil			A082U7826K	1
14	Label, air filter/cover			A082U7787F	2
15	Label, SIR			A082U7350F	2
16	Label, battery dangers, poisons, acids etc			A075M6143F	1

*1/8*

**Function Code 19.01 Labels,Certificates, Literature etc.**

<u>Dep</u>	<u>Part Description</u>	<u>Remarks</u>	<u>Option</u>	<u>Part Number</u>	<u>Qty</u>
17	Label, CAUTION ! hot surface			A082U7455F	1
18	Label, premium unleaded fuel only			A082U7800F	1
19	Label, premium unleaded fuel only		French language	A082U4981F	1
20	Label, premium unleaded fuel only		Swedish language	A085U5095F	1
21	Label, roof panel warning			A082U4976F	1
22	Label, chassis chart	Not illustrated	Inc Belgian 'ETA' Number	B082U7813K	1
23	Label, compliance	Not illustrated	Canada	A082U7859F	1
24	Label, layout, chassis/ VIN label base	Not illustrated	Canada	A082U7400F	1
25	Label, layout, chassis/ VIN label base	Not illustrated	Canada / French language	A082U7401F	1
26	Label, fuel filler cap	Not illustrated	USA, 2002 MY	A082U6331F	1
27	Label, fuel	Not illustrated	Canada (Fits fuel filler flap)	A100U0401F	2
28	Label, unleaded	Not illustrated	Canada (Fits under fuel cap)	A082U4981F	2
29	Label, spare wheel	Not illustrated	Canada ( Fits spare wheel cover )	A085U5087F	1
30	Label, anti-freeze	Not illustrated	Canada ( Fits header tank )	A089U1811F	1
31	Label, fuel economy	Not illustrated	UK spec	A082U7782K	1
32	Label, seat cover warning	Not illustrated		A089U4954K	2
33	Label, tune up	Not illustrated		J082U7784F	1
34	Label, 'Smartire', wheel rims	Not illus. Also see 34.01		A082G7002H	4
35	Label Warning, dellorto fuel pipes	Not illustrated		B079U4802F	1

18

LOTUS CARS LTD. LOTUS ESPRIT V8 (AUSTRALIA)		
	FRONT	REAR
TYRE SIZE	235/40ZR X17	285/35ZR X18
RIM SIZE	8.5J X 17	10.0J X 18
COLD INFLATION PRESSURES:		
NORMAL OPERATION	200 KPa	200 KPa
SPEEDS UP TO 240Kmh/H	200 KPa	200 KPa
SPEEDS UP TO 282Kmh/H	250 KPa	250 KPa
THE TYRES FITTED TO THIS VEHICLE SHALL HAVE A MAXIMUM LOAD RATING NOT LESS THAN 600kg FRONT AND 700kg REAR OR A LOAD INDEX OF 90 FRONT AND 97 REAR AND A SPEED CATEGORY OF Z.		
A082U7790		

43

**WARNING TO AVOID SERIOUS INJURY**

FOR MAXIMUM SAFETY PROTECTION IN ALL TYPES OF CRASHES, YOU MUST ALWAYS WEAR YOUR SAFETY BELT.

DO NOT INSTALL REARWARD-FACING CHILD SEATS IN ANY FRONT PASSENGER SEAT POSITION.

DO NOT SIT OR LEAN UNNECESSARILY CLOSE TO THE AIR BAG.

DO NOT PLACE ANY OBJECTS OVER THE AIR BAG OR BETWEEN THE AIR BAG AND YOURSELF.

SEE THE OWNER'S MANUAL FOR FURTHER INFORMATION AND EXPLANATIONS.

A082U7858

53

VEHICLE CAPACITY WEIGHT - 5000kg  
DESIGNATED SEATING CAPACITY - 2

**RECOMMENDED COLD TIRE INFLATION PRESSURES**

SUSTAINED SPEEDS UP TO 140mph - FRONT 30 PSI  
REAR 28 PSI

**RECOMMENDED COLD TIRE INFLATION PRESSURES**

SUSTAINED SPEEDS OVER 140mph - FRONT 35 PSI  
REAR 30 PSI

**SPARE TIRE PRESSURE**

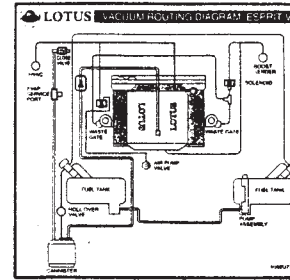
PRESSURES APPLY TO ALL VEHICLE LOADING CONDITIONS UP TO VEHICLE CAPACITY WEIGHT STATED ABOVE.

**RECOMMENDED TIRE SIZES:**

FRONT - 235 X 40ZR X 17  
REAR - 285 X 35ZR X 18  
SPARE - T125 X 90 R16

A082U7790

54



55

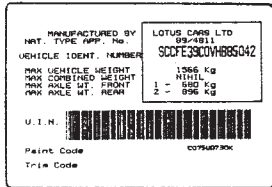
56, 57



51

ATTENTION:  
UTILISATION  
TEMPORAIRE  
SEULEMENT  
VITESSE  
MAX 80Kmh/h

52



50

67

Alarm widow sticker

66

VEHICLE EMISSION CONTROL INFORMATION  
THIS VEHICLE CONFORMS TO U.S. EPA REGULATIONS  
APPLICABLE TO 1987 MODEL YEAR NEW MOTOR VEHICLES  
CATALYST

A082U7795

Country  
Compliance

64, 65

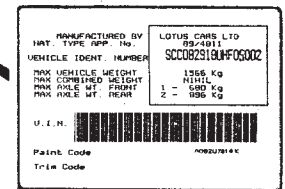
NOTICE  
AIR BAG

This vehicle is equipped with an air bag system. To help avoid unintended activation, see service manual for diagnostic and service procedures before performing any service.

63

Smog Index

60, 61



59

FLUIDE DE  
REFROIDISSEMENT  
ÉCHEC ET PLEIN ICI  
QUAND REFRANCHIR  
EMPLOYER SEULEMENT  
PRÉCONISÉ  
SOLUTION ANTI-GEL

THIS VEHICLE COMPLIES WITH THE REQUIREMENTS  
OF AUSTRALIAN DESIGN RULE #7

A082U7858

58

VEHICLE EMISSION CONTROL INFORMATION

LOTUS CARS LTD.

MODEL ESPRIT V8  
ENGINE DISPLACEMENT - 5.5 LITRES  
ENGINE FAMILY IDENTIFICATION - V12T SV800ER  
EVAPORATIVE FAMILY IDENTIFICATION - V12T05AYMAY  
EXHAUST EMISSION CONTROL TYPE - STWC - P0075 (H)  
SFI - 3TC - AIR - EGR

ENGINE TUNE UP SPECIFICATION  
ALL SETTINGS TO BE CHECKED ON A HOT ENGINE WITH TRANSMISSION IN NEUTRAL WITH A C.U. SWITCHED OFF.  
IDLE SPEED - 850 RPM  
IGNITION TIMING - NON ADJUSTABLE COMPUTER CONTROLLED  
SPARK PLUG GAP - 0.025 IN  
VALVE LASH - NONE  
NO OTHER ADJUSTMENTS NEEDED  
THIS VEHICLE CONFORMS TO U.S. EPA AND CALIFORNIA REGULATIONS APPLICABLE TO 1987 MODEL YEAR NEW PASSENGER CARS.  
COMPLIANCE TESTED AT ALL ALTITUDES.  
CATALYST  
OBD II CERTIFIED

Exhaust Emission Standards	Catalytic Standards Category
CERTIFICATION	CLASS
IN-USE	CLASS
VEE	CLASS
CLASS	CLASS

39J0JFEE

A082U7794

ESPRIT  
19.01a

Updated 28th January 2011

**Function Code 19.01a Labels,Certificates ,Literature etc.**

<u>Dep</u>	<u>Part Description</u>	<u>Remarks</u>	<u>Option</u>	<u>Part Number</u>	<u>Qty</u>
50	Label, VIN/chassis, Main		USA	C075U0730K	1
51	Label, VIN/chassis, Secondary	Fits to windscreen top		B079U4666K	1
52	Label, spare wheel instructions for use		French language	A085U5087F	1
53	Label, warning - Air bag			A082U7858F	1
54	Label, tyre loading			A082U7789F	1
54a	Label, tyre loading		Australia	A082U7790L	1
55	Label, vacuum routing diagram		'98 model year on	B082U7788F	1
56	Label, vehicle emission control diagram		USA	F082U7784F	1
56a	Label, vehicle emission control diagram		USA, 2002 MY	G082U7784F	1
56b	Label, vehicle emission control diagram		USA, 2003 MY	H082U7784F	1
57	Label, vehicle emission control diagram		Sweden	B082U7791F	1
58	Label, compliance A.D.R. 37		Australia	A082U7259F	1
59	Label, coolant instructions		French	A089U1811F	1
60	Label, VIN		Belgium	TBA	1
61	Label, VIN		Sweden	TBA	1
62	Label, smog index		USA. '98 MY	A082U7893F	1
63	Label, air bag notice	Driver bag only		A082U7700F	1
64	Label, federal compliance		USA	E082U4958J	1
65	Label, federal compliance		Canada	A082U7859K	1
66	Label, catalyst 2000		USA	D082U7785F	1
66a	Label, catalyst 2001		USA	E082U7785F	1

18

---

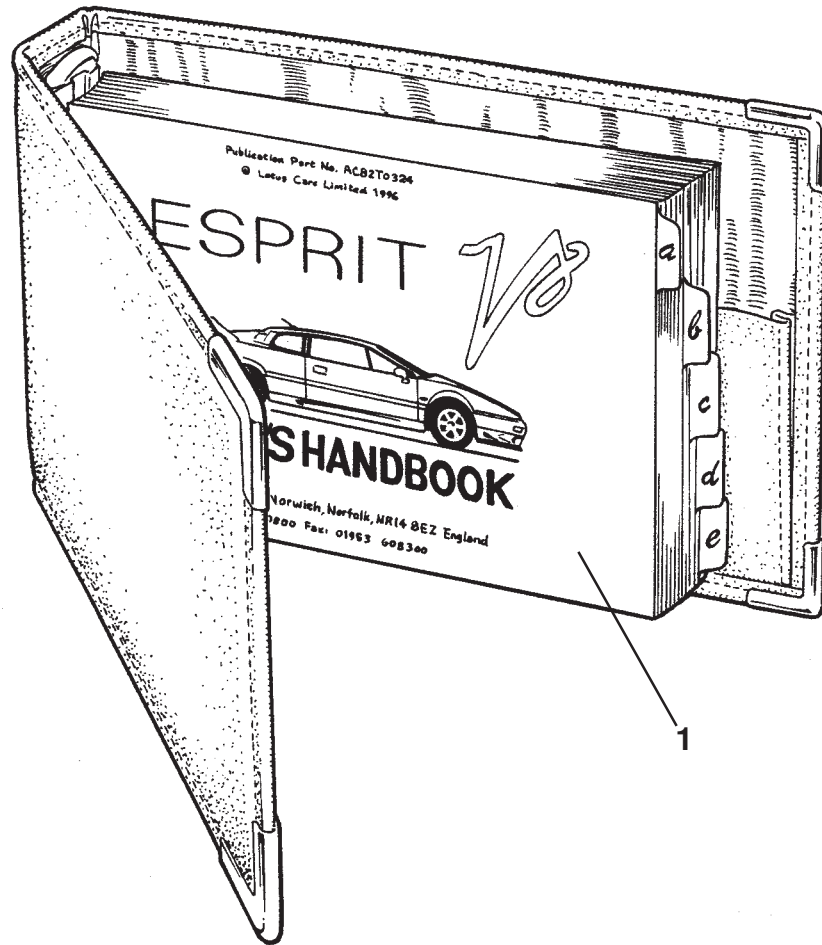
**Function Code 19.01a Labels,Certificates ,Literature etc.**

<u>Dep</u>	<u>Part Description</u>	<u>Remarks</u>	<u>Option</u>	<u>Part Number</u>	<u>Qty</u>
66b	Label, catalyst 2002		USA	F082U7785F	1
66c	Label, catalyst 2003		USA	G082U7785F	1
66d	Label, catalyst 2004		USA	H082U7785F	1
67	Label, alarm window sticker			A082M4993F	1
68	Label, warning child seat	Not illustrated, on sun visor visible side		A082U6315F	1
69	Label, warning child seat	Not illustrated, on sun visor non visible side		A082U6316F	1
70	Label, warning child seat removable	Not illustrated		A082U6317F	1
71	Label, child seat pictogram	Not illustrated, fitted to door jamb		A082U6318F	1

---

18



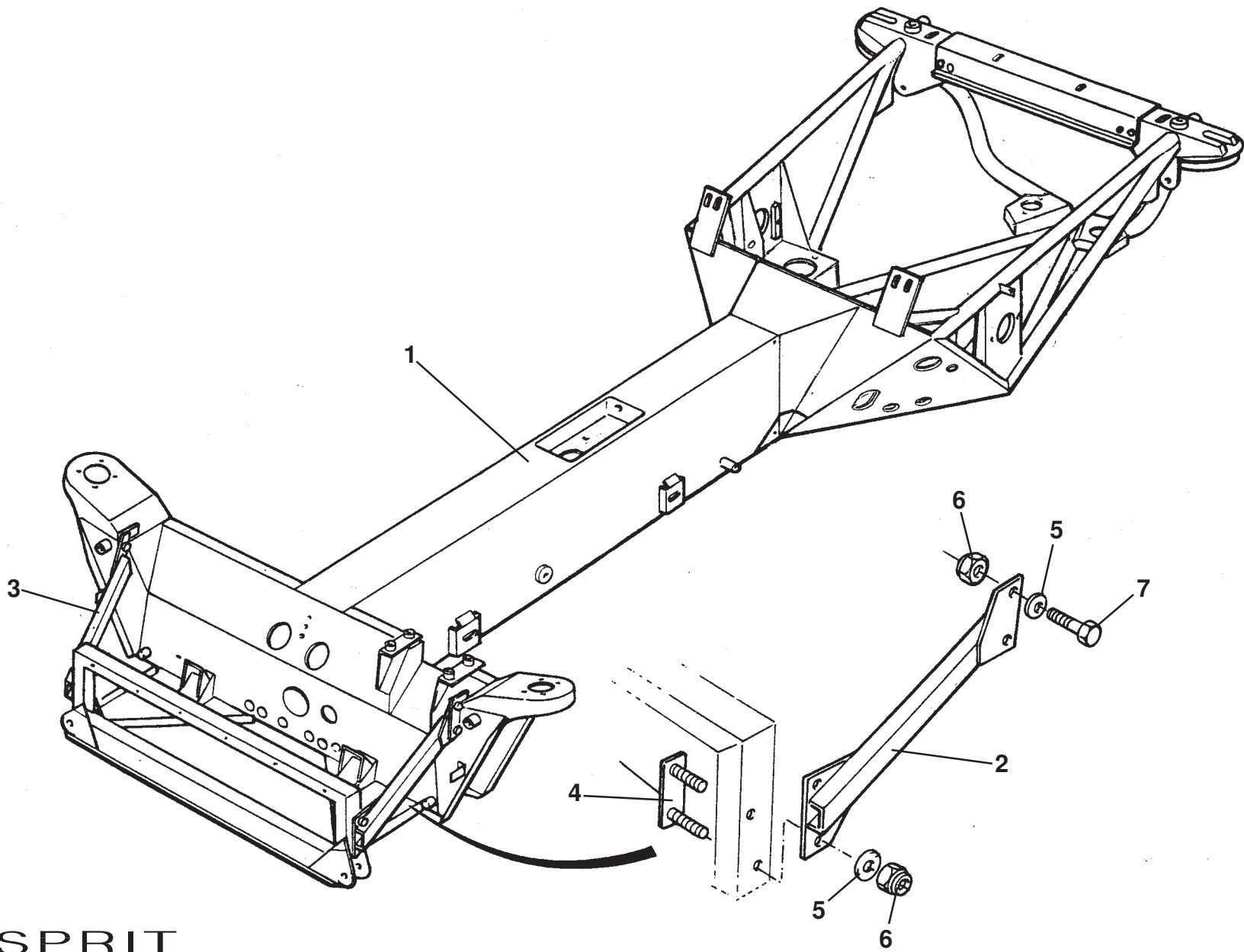


ESPRIT  
19.03

---

**Function Code 19.03 Owner's Handbooks & Service Notes Manuals**

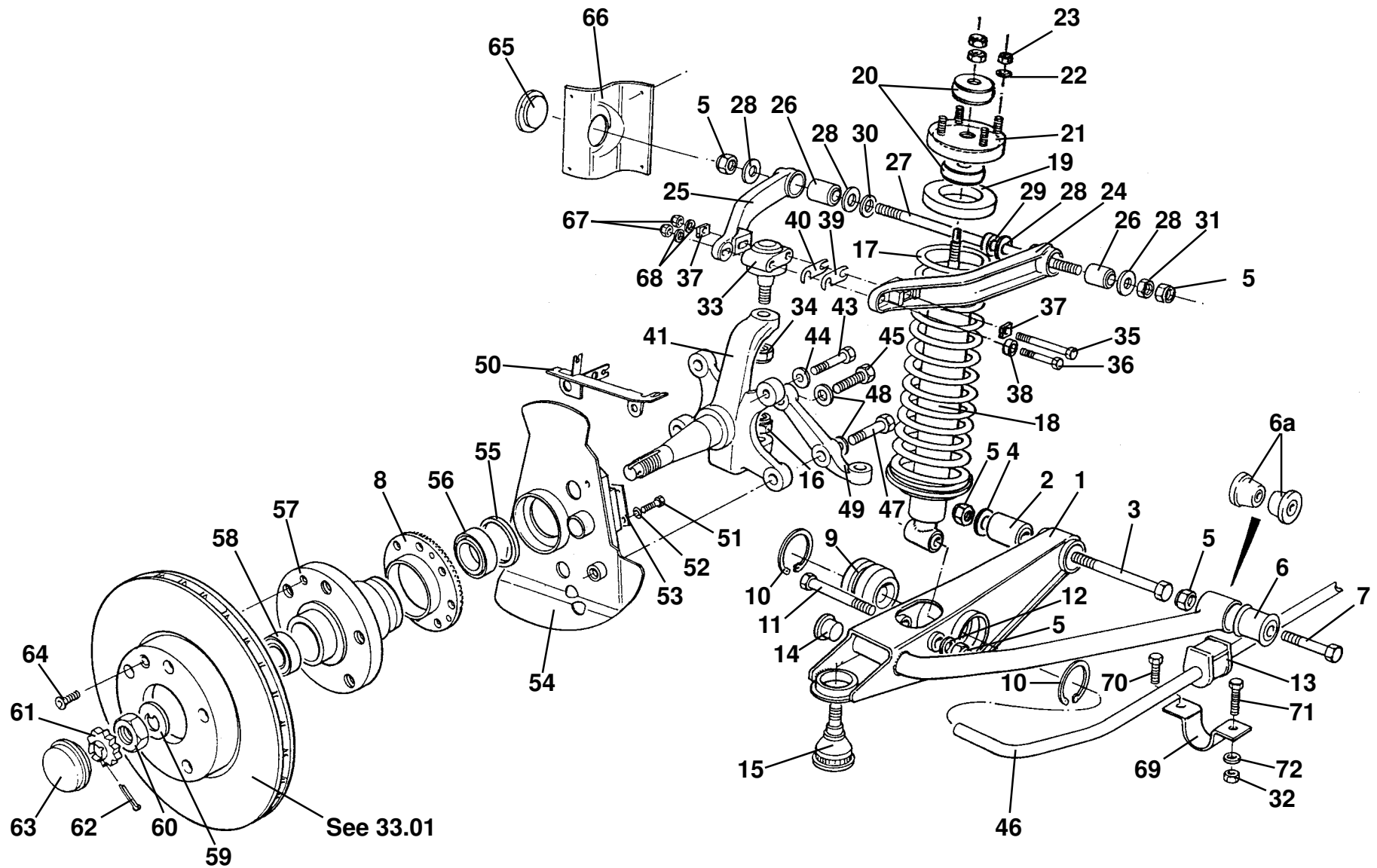
<u>Dep</u>	<u>Part Description</u>	<u>Remarks</u>	<u>Option</u>	<u>Part Number</u>	<u>Qty</u>
01	Owners Handbook		V8, Proir to ' 98 MY	<b>AC82T0324J</b>	1
01a	Owners Handbook		V8, GT3, '98 MY	<b>AD82T0324J</b>	1
01b	Owners Handbook		V8, V8-GT, Sport 350, '99MY	<b>AE82T0324J</b>	1
02	Service Notes	Not illustrated, from S4 intro.	'93 MY on	<b>K082t0327J</b>	1
03	Service Notes, 'EMM', engine management	Not illustrated	V8, '96 MY On	<b>L082T0327J</b>	1
04	Service Notes, 'JG', brakes with ABS (Kelsey Hayes)	Not illustrated	V8, GT3	<b>M082T0327J</b>	1
05	Service Notes, 'WA & WC', SIR, driver & dual	Not illustrated	V8, GT3	<b>J082T0327J</b>	1
07	Service Parts List	Not illustrated	'96 MY on	<b>M082t0325J</b>	1
08	Service Labour Times	Not illustrated	'96 MY on	<b>G082t0328J</b>	1



ESPRIT  
30.01

**Function Code 30.01 Chassis, Subframe**

<u>Dep</u>	<u>Part Description</u>	<u>Remarks</u>	<u>Option</u>	<u>Part Number</u>	<u>Qty</u>
01	Chassis Frame, RHD		V8, prior to '98 MY	<b>A082A4386F</b>	1
01a	Chassis Frame, LHD		V8, prior to '98 MY	<b>A082A4385F</b>	1
01b	Chassis Frame, RHD	For revised gearchange mech.	V8, '98 MY on; V8GT	<b>B082A4386F</b>	1
01c	Chassis Frame, LHD	For revised gearchange mech.	V8, '98 MY on; V8GT	<b>B082A4385F</b>	1
01d	Chassis Frame, RHD		Sport 350	<b>A082A4406F</b>	1
01e	Chassis Frame, LHD		Sport 350	<b>A082A4405F</b>	1
01f	Chassis Frame, RHD		GT3 prior to VIN: W2272	<b>B082A4368F</b>	1
01g	Chassis Frame, LHD		GT3 prior to VIN: W2272	<b>B082A4369F</b>	1
01h	Chassis Frame, RHD	For revised gearchange mech.	GT3 from VIN: W2272	<b>C082A4368F</b>	1
01i	Chassis Frame, LHD	For revised gearchange mech.	GT3 from VIN: W2272	<b>C082A4369F</b>	1
02	Bracing strut, LH			<b>A082A4315F</b>	1
03	Bracing strut, RH			<b>A082A4316F</b>	1
04	Studplate to bracing strut			<b>A082M4311F</b>	2
05	Washer M10 x 24, brace securing			<b>A075W4023F</b>	8
06	Nyloc nut M10, brace securing			<b>A075W3011Z</b>	8
07	Setscrew M10 x 25, brace securing			<b>A075W1048Z</b>	8



**ESPRIT**  
**31.01**

*Updated 28th January 2011*

# Service Parts List



## Function Code 31.01 Front Suspension, Incl. Hubs

<u>Dep</u>	<u>Part Description</u>	<u>Remarks</u>	<u>Option</u>	<u>Part Number</u>	<u>Qty</u>
01	Lower Wishbone, LH	With parallel front bush	GT3, prior VIN: W 2252, V8, prior VIN: W 5517	<b>B082C4221F</b>	1
01a	Lower Wishbone, LH	With conical front bush	GT3, from VIN: W 2252, V8 from VIN: W 5517	<b>A082C4251F</b>	1
01b	Lower Wishbone, RH	With parallel front bush	GT3, prior VIN: W 2252, V8, prior VIN: W 5517	<b>B082C4220F</b>	1
01c	Lower Wishbone, RH	With conical front bush	GT3, from VIN: W 2252, V8, from VIN: W 5517	<b>A082C4252F</b>	1
02	Pivot Bush, lower wishbone rear			<b>A075C6000Z</b>	2
02a	Pivot Bush, lower wishbone rear	Polybush	Aftersales option	<b>LOTAC05454</b>	2
03	Pivot Bolt, 1/2" UNF x 5 3/4"			<b>A082A6048F</b>	2
04	Washer, flat,			<b>A075W4007Z</b>	4
05	Nyloc Nut, 1/2" UNF			<b>A075W3005Z</b>	10
06	Pivot Bush, lower wishbone front	Parallel	GT3, prior VIN: W 2252, V8, prior VIN: W 5517	<b>A082D4084F</b>	2
06a	Pivot Bush, lower wishbone front	Conical	GT3, from VIN: W 2252, V8, from VIN: W 5517	<b>A082C4250F</b>	4
06b	Pivot Bush, lower wishbone front	Polybush conical	Aftersales option	<b>LOTAC05458</b>	4
06c	Pivot Bush, lower wishbone front (pair)	Polybush parallel	Aftersales option	<b>LOTAC05459</b>	2
07	Pivot Bolt, 1/2" UNF x 2 3/4"			<b>A075W2097F</b>	2
08	Pole Wheel, ABS sensor			<b>A082J4192F</b>	2



**Function Code 31.01 Front Suspension, Incl. Hubs**

<u>Dep</u>	<u>Part Description</u>	<u>Remarks</u>	<u>Option</u>	<u>Part Number</u>	<u>Qty</u>
09	Bush, anti-roll bar			A082C6040F	2
09a	Bush, anti-roll bar	Polybush	Aftersales option	LOTAC05455	2
10	Circlip, internal			A082C6039F	4
11	Bolt, ½" UNF x 3 ½", lower damper fix.			A079W2088F	2
12	Spacer, anti - roll bar clamp			A082C4093F	2
13	Bush, anti-roll bar to chassis			A082C4232F	2
13a	Bush, anti-roll bar to chassis	Polybush	Aftersales option	LOTAC05456	2
14	Blanking Plug			A089U6089F	2
15	Ball Joint, lower			A089C6089F	2
16	Nyloc Nut, M14			A075W3069Z	2
17	Road Spring			A082C4247F	2
17a	Road Spring		Sport 350	A082C4256F	2
17b	Road Spring		'Final Edition'	A082C4257F	2
17c	Road Spring, Eibach (pair)	For Bilstein dampers	V8 aftersales option	LOTAC05399	1
17d	Road Spring, Eibach (pair)	For Bilstein dampers	GT3 aftersales option	LOTAC05413	1
17e	Road Spring, Eibach (pair)	For Bilstein dampers	Sport 350 aftersales option	LOTAC05415	1
17f	Road Spring, Eibach (pair)	For Bilstein dampers	Sport 300 aftersales option	LOTAC05414	1
18	Damper			A082C4244F	2
18a	Damper		Sport 350	A082C4255F	2
18b	Damper, Bilstein		'Final Edition'	A082C4258F	2
18c	Bump Stop, front damper, 'Final Edition'	See Service Bulletin 2004/17	'Final Edition'	A082C6043S	1

18

Function Code: 31.01, Page: 2

*Updated 5th January 2015*

**Function Code 31.01 Front Suspension, Incl. Hubs**

<u>Dep</u>	<u>Part Description</u>	<u>Remarks</u>	<u>Option</u>	<u>Part Number</u>	<u>Qty</u>
18d	Damper, Bilstein (pair)		V8, Sport 350 aftersales option	LOTAC05397	1
18e	Damper, Bilstein (pair)		GT3, Sport 300 aftersales option	LOTAC05404	1
19	Insulator, front spring top			A082C4069F	2
20	Damper Mounting Kit		A082C6036F R/B	B082C6036F	2
21	Abutment Plate, spring/damper to chassis			B082C4075F	2
22	Washer, flat, M8			A075W4020Z	8
23	Nut, M8, plate to chassis			A075W3010Z	8
24	Wishbone, leg upper, front			A082C4216F	2
25	Wishbone, leg upper, rear			A082C4217F	2
26	Pivot Bush, upper wishbone			X036C6004F	4
26a	Pivot Bush, upper wishbone	Polybush	Aftersales option	LOTAC05453	4
27	Pivot Stud, 1/2" UNF x 282mm			A082C4223F	2
28	Buffer Washer, upper wishbone bush			A075C0149D	8
29	Shim Washer, 6mm thick castor adjustment			A082C4093F	2
30	Shim Washer, 3mm thick castor adjustment			A082C4092F	2
31	Locknut, 1/2" UNF			A075W3017Z	2
32	Nyloc Nut, M12			A075W3012Z	4
33	Ball Joint, upper			A036C6007Z	2
34	Nut, torqloc, 7/16" UNF			A075W3004Z	2
35	Bolt, M8 x 122, hex., hd, inboard, upper ball joint fix.			A075W2050Z	2

18



**Function Code 31.01 Front Suspension, Incl. Hubs**

<u>Dep</u>	<u>Part Description</u>	<u>Remarks</u>	<u>Option</u>	<u>Part Number</u>	<u>Qty</u>
36	Bolt, M8 x 85, hex. hd., outboard, upper ball joint fix.			A082W2121F	2
37	Camber Adjustment Plate, 10.5mm			A100C0109F	4
37a	Camber Adjustment Plate, 12.5mm			A100C0110F	4
37b	Camber Adjustment Plate, 14.0mm			A100C0111F	4
37c	Camber Adjustment Plate, 11.5mm			A100C0125F	4
38	Spacer,			A082C4213F	2
39	Shimplate, castor adjustment, 1.5mm	Maximum 8 per side		B082C4090F	16
40	Shimplate, castor adjustment, 3.0mm	Maximum 4 per side		B082C4089F	8
41	Hub Carrier, RH			A082C4134F	1
41a	Hub Carrier, LH			A082C4135F	1
43	Setscrew, hex. hd.			A075W1039Z	2
44	Washer, flat, M12			B075W4021Z	2
45	Setscrew, M12 x 35, hex. hd.			A075W1059Z	2
46	Anti-Roll Bar, front, 16mm			D082C4222F	1
46a	Anti-Roll Bar, front, 17mm		Sport 350	A082C4254F	1
47	Bolt, M12 x 45, hex. hd.			A075W1061Z	2
48	Washer, spring, M12			A075W4069F	4
49	Steering Arm. RH			A082C4212F	1
49a	Steering Arm. LH			A082C4211F	1
50	Multi Fixing Plate, RH			A082J4378F	1
50a	Multi fixing plate, LH			A082J4379F	1

18

**Function Code 31.01 Front Suspension, Incl. Hubs**

<u>Dep</u>	<u>Part Description</u>	<u>Remarks</u>	<u>Option</u>	<u>Part Number</u>	<u>Qty</u>
51	Setscrew, M6 x 16, hex. hd.			A075W1028Z	1
52	Washer, flat			A075W4013F	1
53	Shimplate, 0.75mm			B082C4200F	As req.
53a	Shimplate, 1.0mm			B082C4202F	As req.
54	Shield, brake disc, RH			A082C4190F	1
54a	Shield, brake disc, LH			A082C4189F	1
55	Dust Seal			A089C8003F	1
56	Bearing, inner			A089C8004F	1
57	Hub, front			A082C4239F	2
58	Bearing, outer			A089C8005F	1
59	Washer, claw, bearing retaining			A089C8006F	2
60	Nut, bearing retaining			A089C8007F	2
61	Locking Cap, hub nut			A082C8009F	2
62	Split Pin, hub nut retaining			A075W6222F	2
63	Grease Cap, front hub			A089C8008F	2
64	Screw, brake disc retention	Also see 33.01		A082J4381F	2
65	Grommet			A082B6057F	2
66	Cover, wishbone stud access			A079U4352K	2
67	Nyloc Nut, M8			A075W3010Z	4
68	Washer, flat			A079W4019F	4
69	Clamp, anti-roll bar to chassis			A082C4047F	2

18

---

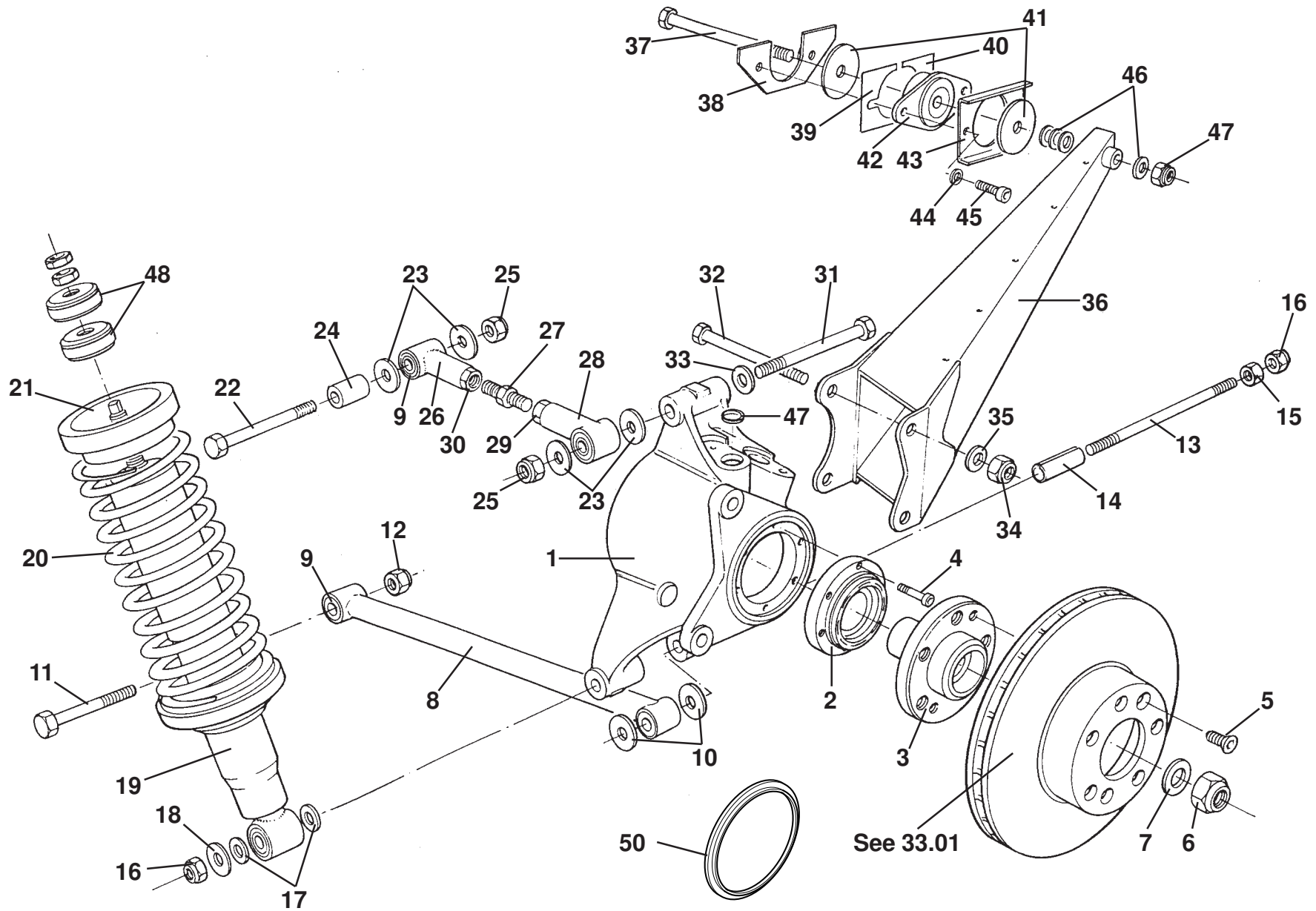
**Function Code 31.01 Front Suspension, Incl. Hubs**

<u>Dep</u>	<u>Part Description</u>	<u>Remarks</u>	<u>Option</u>	<u>Part Number</u>	<u>Qty</u>
70	Setscrew, M12 x 35, hex. hd., anti-roll bar fixing			A079W1059F	2
71	Setscrew, M12 x 50, hex. hd., anti-roll bar fixing			A100W2116F	2

---

---

18



**ESPRIT**  
**31.03**

*Updated 6th February 2013*

# Service Parts List



## Function Code 31.03 Rear Suspension, Incl. Hubs

<u>Dep</u>	<u>Part Description</u>	<u>Remarks</u>	<u>Option</u>	<u>Part Number</u>	<u>Qty</u>
01	Hub Carrier, RH			C082D4142K	1
01a	Hub Carrier, LH			C082D4141K	1
02	Double Race Bearing, rear hub			A082D6020F	2
03	Hub, rear		B082D6019F R/B	B082D6019K	2
04	Bolt, cap head, bearing to hub carrier			A082D4106F	12
05	Screw, disc retention	Also see 33.01		A082J6037F	4
06	Nut, hub/driveshaft retention			A082D6026F	2
07	Washer, flat			A082D6025F	2
08	Lower link, less bushes			A082D4083F	2
09	Bush, upper & lower links			A082D4084F	8
09a	Bush Kit, upper & lower links	Polybush (8 bush set)	Aftersales option	LOTAC05448	1
10	Snubber Washer, lower link mounting			A079W4083F	4
11	Bolt, 1/2" UNF x 2 1/2", hex. hd., lower link to chassis			A079W2097F	2
12	Nyloc Nut, 1/2" UNF			A075W3005Z	8
13	Stud, 1/2" UNF x 8.75", lower link to hub carrier			B079D4024F	2
14	Split Spacer, hub carrier front lug			B082D4079F	2
15	Locknut, 1/2" UNF, lower link stud			A075W3017Z	2
16	Nyloc Nut, 0.5" UNF			A075W3005Z	6

Function Code: 31.03, Page: 1

Updated 3rd February 2014

**Function Code 31.03 Rear Suspension, Incl. Hubs**

<u>Dep</u>	<u>Part Description</u>	<u>Remarks</u>	<u>Option</u>	<u>Part Number</u>	<u>Qty</u>
17	Spacer Washer, damper lower fixing		'Final Edition', 2 off	<b>A075W4028Z</b>	4
17a	Spacer Washer, hardened, damper lower fixing, rear	Bilstein dampers	'Final Edition'	<b>A074D6003Z</b>	2
18	Washer, flat			<b>A075W4008Z</b>	2
19	Damper			<b>A082D4174F</b>	2
19a	Damper		Sport 350	<b>A082D4179F</b>	2
19b	Damper, Bilstein	Adjustable spring platform	'Final Edition'	<b>A082D4186F</b>	2
19c	Bump Stop, rear damper, 'Final Edition'	See Service Bulletin 2004/17	'Final Edition'	<b>A082D6040S</b>	2
19d	Damper Bilstein (pair)	If retaining old springs order LOTAC05449 Lower Spring Seat x 2	V8, Sport 350	<b>LOTAC05398</b>	1
19e	Damper Bilstein (pair)	If retaining old springs order LOTAC05449 Lower Spring Seat x 2	GT3, Sport 300	<b>LOTAC05405</b>	1
20	Road Spring			<b>A082D4173F</b>	2
20a	Road Spring		Sport 350	<b>A082D4180F</b>	2
20b	Road Spring		'Final Edition'	<b>A082D4185F</b>	2
20c	Road Spring, Eibach (pair)	For Bilstein dampers	V8 aftersales option	<b>LOTAC05400</b>	1
20d	Road Spring, Eibach (pair)	For Bilstein dampers	GT3 aftersales option	<b>LOTAC05418</b>	1
20e	Road Spring, Eibach (pair)	For Bilstein dampers	Sport 350 aftersales option	<b>LOTAC05420</b>	1
20f	Road Spring, Eibach (pair)	For Bilstein dampers	Sport 300 aftersales option	<b>LOTAC05419</b>	1
21	Insulator, 12mm alloy, road spring to chassis			<b>A082D4122F</b>	2
22	Bolt, ½" UNF x 4½", hex. hd., top link to chassis			<b>A079W2023F</b>	2

18

**Function Code 31.03 Rear Suspension, Incl. Hubs**

<u>Dep</u>	<u>Part Description</u>	<u>Remarks</u>	<u>Option</u>	<u>Part Number</u>	<u>Qty</u>
23	Snubber Washer, top link to inboard bush			A079W4083F	4
24	Spacer, top link to chassis			A082D4099F	2
24a	Clip, riveted to spacer			A918W6557F	2
25	Nyloc Nut, 7/16" UNF			A075W3004Z	2
26	Adjustable Link, LH thread			A082D4165F	2
27	Link Adjuster			A082D6038F	2
28	Adjustable Link, RH thread			A082D4164F	2
29	Locknut, M16 x 1.5, RH thread			A082W3122F	2
30	Locknut, M16 x 1.5, LH thread			A082W3123F	2
31	Bolt, ½" UNF x 5½", top link to hub carrier			A079W2091F	2
32	Bolt, M10 x 130, hex. hd. radius arm to hub carrier			A075W2065F	4
33	Washer, hardened, top link to hub carrier			A074D6003Z	2
34	Nyloc Nut, M10			A075W3011Z	4
35	Washer, flat, M10 x 20			A075W4024Z	4
36	Radius Arm, RH		C082D4110F R/B	D082D4110F	1
36a	Radius Arm, LH		C082D4111F R/B	D082D4111F	1
37	Bolt, 7/16" UNF x 4½", hex. hd., radius arm to chassis		'C' level radius arm	A075W2087F	2
37a	Bolt, M12 x 120, radius arm to chassis		'D' level radius arm	B082W2187F	2
38	Mounting Plate			A082U7760F	2
39	Shim Plate, thick, 1.6mm			A082D4171F	2
40	Shim Plate, thin, 0.9mm			A082D4170F	2

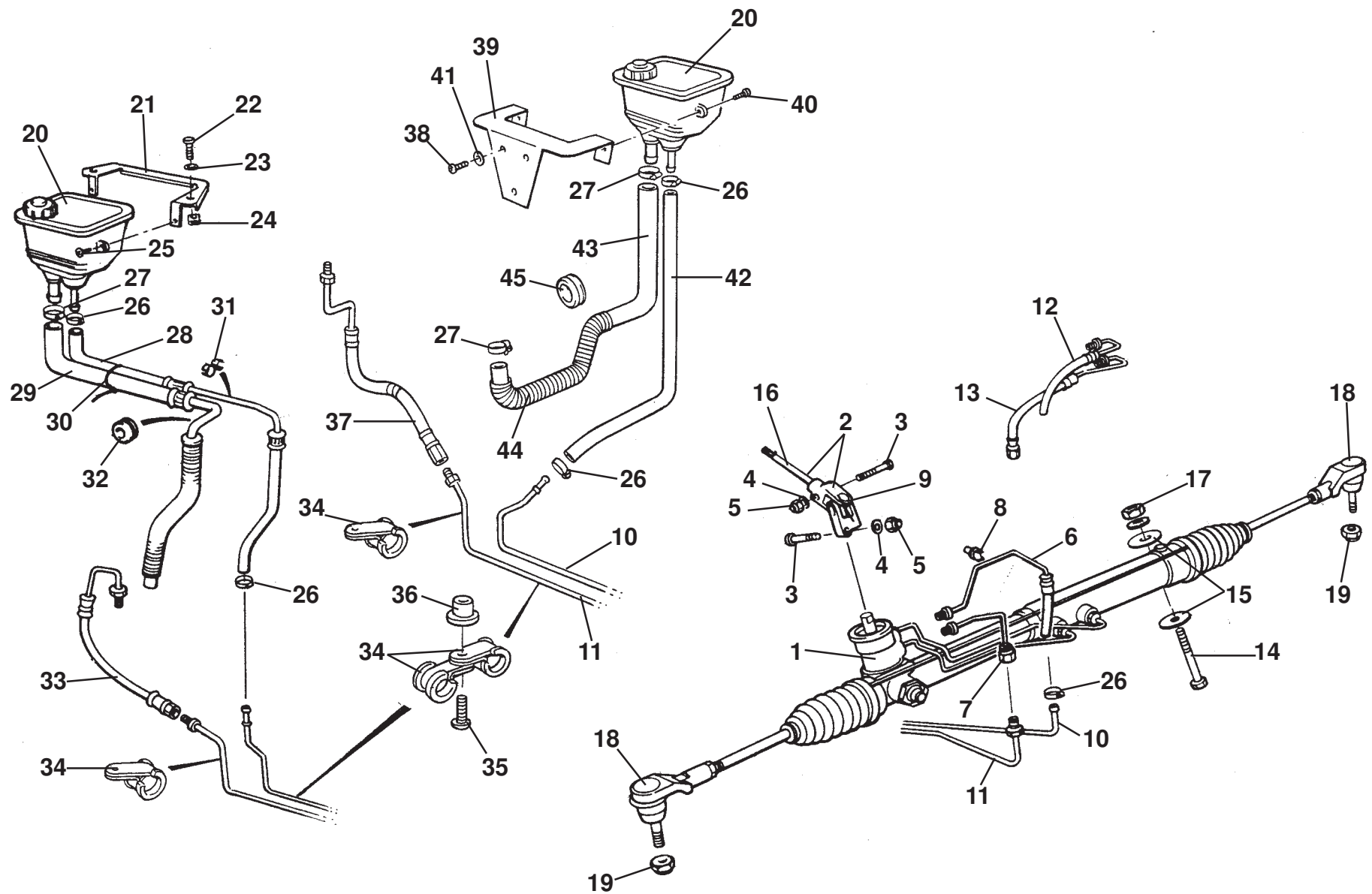
18

**Function Code 31.03 Rear Suspension, Incl. Hubs**

<u>Dep</u>	<u>Part Description</u>	<u>Remarks</u>	<u>Option</u>	<u>Part Number</u>	<u>Qty</u>
41	Snubber Washer, 7/16" x 1½"		'C' level radius arm	<b>A075W4006Z</b>	4
41a	Snubber Washer, M12 x 50 x 3.0		'D' level radius arm	<b>A082W4179F</b>	4
42	Mounting Rubber, radius arm to chassis			<b>P525.3103.600AF</b>	2
43	Reinforcing Plate			<b>C079D4013F</b>	2
44	Washer, spring, M8			<b>A075W4023F</b>	4
45	Bolt, M8 x 40, hex. hd.			<b>A075W2039D</b>	4
46	Washer, 7/16", toe-in adjustment		'C' level radius arm	<b>A075W4005Z</b>	As req
46a	Washer, M12 x 23.5 x 2.3, toe-in adjustment		'D' level radius arm	<b>A075W4028Z</b>	As req.
47	Nyloc Nut, 7/16" UNF, radius arm to chassis		'C' level radius arm	<b>A075W3004Z</b>	2
47a	Nyloc Nut, M12		'D' level radius arm	<b>A075W3012Z</b>	2
48	Damper Mounting Kit			<b>B082C6036F</b>	2
49	Blanking Plug, 21mm			<b>A082D6039F</b>	2
50	Deflector, rear hub			<b>A082D4184F</b>	2

18





ESPRIT  
32.03

**Function Code 32.03 Power Steering unit, Reservoir, Plumbing**

<u>Dep</u>	<u>Part Description</u>	<u>Remarks</u>	<u>Option</u>	<u>Part Number</u>	<u>Qty</u>
01	Power Assisted Rack & Pinion Assembly, RHD		All models	<b>A082H6044F</b>	1
01b	Power Assisted Rack & Pinion Assembly, LHD		All models	<b>A082H6043F</b>	1
02	Intermediate column & universal joint, RHD		All models	<b>B082H4048F</b>	1
02a	Intermediate column & universal joint, LHD		All models	<b>B082H4049F</b>	1
03	Pinch bolt, M8 x 40 , universal joint fixing		All models	<b>A075W2039D</b>	2
04	Washer, flat, M8		All models	<b>A075W4020Z</b>	2
05	Nyloc Nut, M8		All models	<b>A907E6284F</b>	2
06	Pipe, low pressure, rack to chassis pipe, RHD		All models	<b>B082H4062F</b>	1
07	Pipe, high pressure, chassis pipe to rack, LHD		All models	<b>A082H4061F</b>	1
08	Clip, low pressure pipe to chassis front section		All models	<b>A910E6592F</b>	1
09	Universal Joint, intermediate shaft		All models	<b>B082H6042H</b>	1
10	Pipe, to reservoir hose		All models	<b>A082H4057F</b>	1
11	Pipe, high pressure, pump to chassis underside		All models	<b>A082H4056F</b>	1
12	Hose, low pressure, rack to chassis pipe, LHD		All models	<b>A082H4060F</b>	1
13	Hose, high pressure. chassis pipe to rack, LHD		All models	<b>A082H4059F</b>	1
14	Bolt, M12 x 85 mm, rack assembly to chassis		All models	<b>A082W2119F</b>	2
15	Washer, M12 flat		All models	<b>A075W4071F</b>	4
16	Intermediate shaft, RHD		All models	<b>A082H4050H</b>	1
16a	Intermediate shaft, LHD		All models	<b>A082H4051H</b>	1
17	Nyloc Nut, M12		All models	<b>A075W3012Z</b>	2
18	Track Rod End/Ball Joint		All models	<b>A082H6063S</b>	2

18

**Function Code 32.03 Power Steering unit, Reservoir, Plumbing**

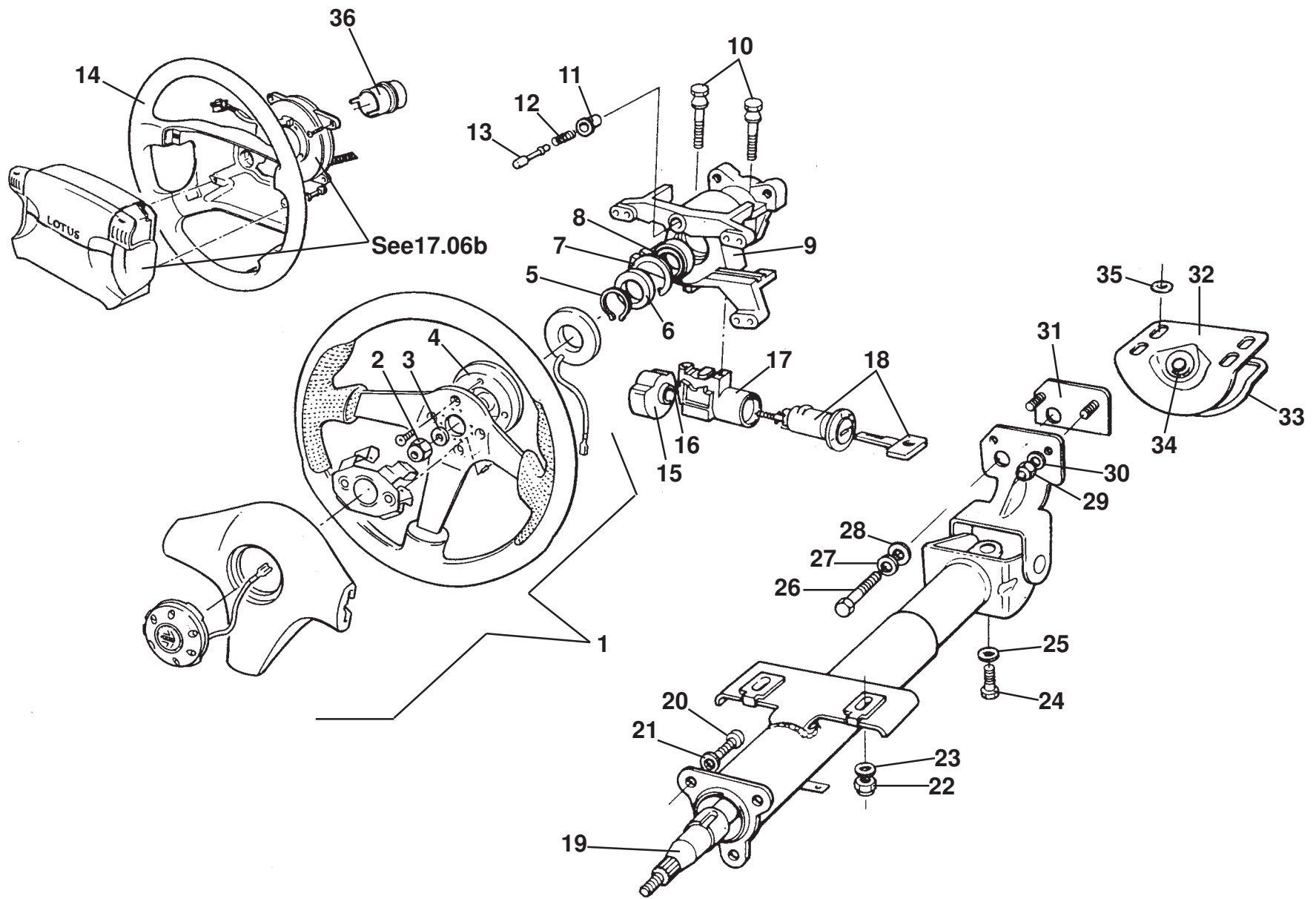
<u>Dep</u>	<u>Part Description</u>	<u>Remarks</u>	<u>Option</u>	<u>Part Number</u>	<u>Qty</u>
19	Nyloc Nut, M12 , track rod end to steering arm		All models	A082H4036F	2
20	Reservoir, PAS fluid		All models	A082H6045F	1
21	Bracket, PAS reservoir mounting		GT3	A082H4063F	1
22	Screw, M6 x 40, bracket fixing		GT3	A082W7104F	2
23	Washer, M6 x 12, bracket fixing		GT3	B100W4127F	2
24	Cage nut, M6, bracket fixing		GT3	A100W6362F	2
25	Screw, No 6 x ½", reservoir to bracket		GT3	A075W5014Z	2
26	Hose clip, PAS hose fixing		All models	A079M6132F	3
27	Hose Clip, hose fixing, reservoir to chassis pipe		All models	A079M6132F	2
28	Hose, low pressure, chassis pipe to reservoir		GT3	A082H4058F	1
29	Hose, low pressure, reservoir to pump		GT3	B082H4073F	1
30	Tie wrap, low pressure pipes retention		GT3	A075W6038Z	1
31	Swivel clip		GT3	A082W6331F	1
31a	Swivel clip		GT3	A082W6338F	1
32	Grommet, PAS hose thro' sidewall		GT3	A082H6061F	1
33	Hose, high pressure, pump to chassis pipe		GT3	A082H4055F	1
34	'P' clip, chassis pipe to chassis fixing		All models	A075Q6013Z	3
35	Screw, M5 x 20, pan hd. pozi. 'P' clip fixing		All models	A075W5084F	3
36	Rawlnut, M5		All models	A075W6074F	3
37	Hose, high pressure, pump to chassis pipe		V8	A082H4072F	1
38	Setscrew, PAS bracket fixing to bulkhead		V8	A100B6148F	3

18

---

**Function Code 32.03 Power Steering unit, Reservoir, Plumbing**

<u>Dep</u>	<u>Part Description</u>	<u>Remarks</u>	<u>Option</u>	<u>Part Number</u>	<u>Qty</u>
39	Bracket, PAS reservoir mounting		V8	<b>A082M4074F</b>	1
40	Screw, No.6 x 1/2" flg. hd. pozi. S/S, blk.		V8	<b>A075W5012F</b>	2
41	Washer, flat, 3/16 x 1/2", blk.		V8	<b>A075W4063Z</b>	3
42	Hose, low pressure, reservoir to chassis pipe		V8	<b>A082H4071F</b>	1
43	Hose, high pressure, PAS reservoir to pump		V8	<b>A082H4073F</b>	1
44	Heatshield, PAS pipes		V8	<b>A082H4076F</b>	As req
45	Grommet, PAS hose, thro' sidewall		V8	<b>A082H6046F</b>	1
46	Fluid, PAS	Not illustrated	All models	<b>C100E6088V</b>	2 Ltr



**ESPRIT**  
**32.05**

# Service Parts List



## Function Code 32.05 Upper Column, Steering Wheel

<u>Dep</u>	<u>Part Description</u>	<u>Remarks</u>	<u>Option</u>	<u>Part Number</u>	<u>Qty</u>
01	Steering Wheel Assembly, Momo type		Non SIR V8, Sport 350, GT3	A082H4080F	1
01a	Steering Wheel Assembly, Momo Shuttle	Exposed alloy spokes	Non SIR Sport 350,	A082H6067S	1
01b	Steering Wheel & Fitting Kit, Momo Shuttle	Incl. wheel, tapered spacer, eccentric spacer	Non SIR Sport 350	A082H4088J	1
01c	Tapered Adaptor, Momo Shuttle	Part of kit item 1b	Non SIR Sport 350	A082H4082S	1
01d	Eccentric Spacer, Momo Shuttle	Part of kit item 1b	Non SIR Sport 350	A082H6068S	
02	Nyloc Nut, M12 x 1.25 mm steering wheel to column		Common	A082H4036F	1
03	Washer, 1/2" x 11/4" steering wheel to column		Common	A075W4008Z	1
04	Splined Hub, steering wheel	Only available as part of wheel assy, see item 1			1
05	Circlip, cushion retaining			A082H6036F	1
06	Cushion, rubber			A082H6035F	1
07	Circlip, bearing retention			A082W6308F	1
08	Bearing, upper column support			A082H6037F	1
09	Column support/bearing carrier			A082H4087F	1
10	Bolt, N6, shear head			C082H4045F	2
11	Horn Push			C100H0029F	1
12	Spring, horn pin			A100H6050F	1
13	Horn Pin			A100H6013F	1

**Function Code 32.05 Upper Column, Steering Wheel**

<u>Dep</u>	<u>Part Description</u>	<u>Remarks</u>	<u>Option</u>	<u>Part Number</u>	<u>Qty</u>
14	Steering Wheel, SIR		V8, Driver SIR	C082H4033F	1
15	Ignition Switch,			A082M6460H	1
16	Grub Screw, skt. hd, ignition switch fix.			A082H6041H	1
17	Housing, steering column lock			A082H6038H	1
18	Steering Lock Barrel & Keys	For vehicle lock set, see 10.17		A082H6039H	1
19	Steering Column			A082H6034F	1
20	Setscrew, M6 x 18, column to lock housing			A075W1029Z	3
21	Washer, spring M6, column to lock housing			A075W4035Z	3
22	Nyloc Nut, M8, column to scuttle beam			A075W3010Z	2
23	Washer, flat, M8 x 25 x 1.4, column to scuttle beam			A075W4021Z	2
24	Bolt, M10 x 32 x 1.25, universal joint fix.			C082H4044F	1
25	Washer, spring M10, universal joint fix.			A079W4070F	1
26	Setscrew, M8 x 20, column to pedal box			A075W1038Z	1
27	Washer, int. shakeproof, M8, column to pedal box			A075W4048Z	1
28	Washer, flat, M8 x 25 x 1.4, column to pedal box			A075W4021Z	1
29	Nyloc Nut, M5, column to spacer			A075W3008Z	2
30	Washer, flat, M5 x 10 x 1.0, column to spacer			A075W4011Z	2
31	Spacer Assembly, column to pedal box			A082H4066F	1
32	Infill Panel, column to bulkhead		RHD	A082B5048K	1
32a	Infill Panel, column to bulkhead		LHD	A082B5047K	1
33	Foam Seal, 10 x 6mm, self adhesive			A100B0431V	As req.

18

---

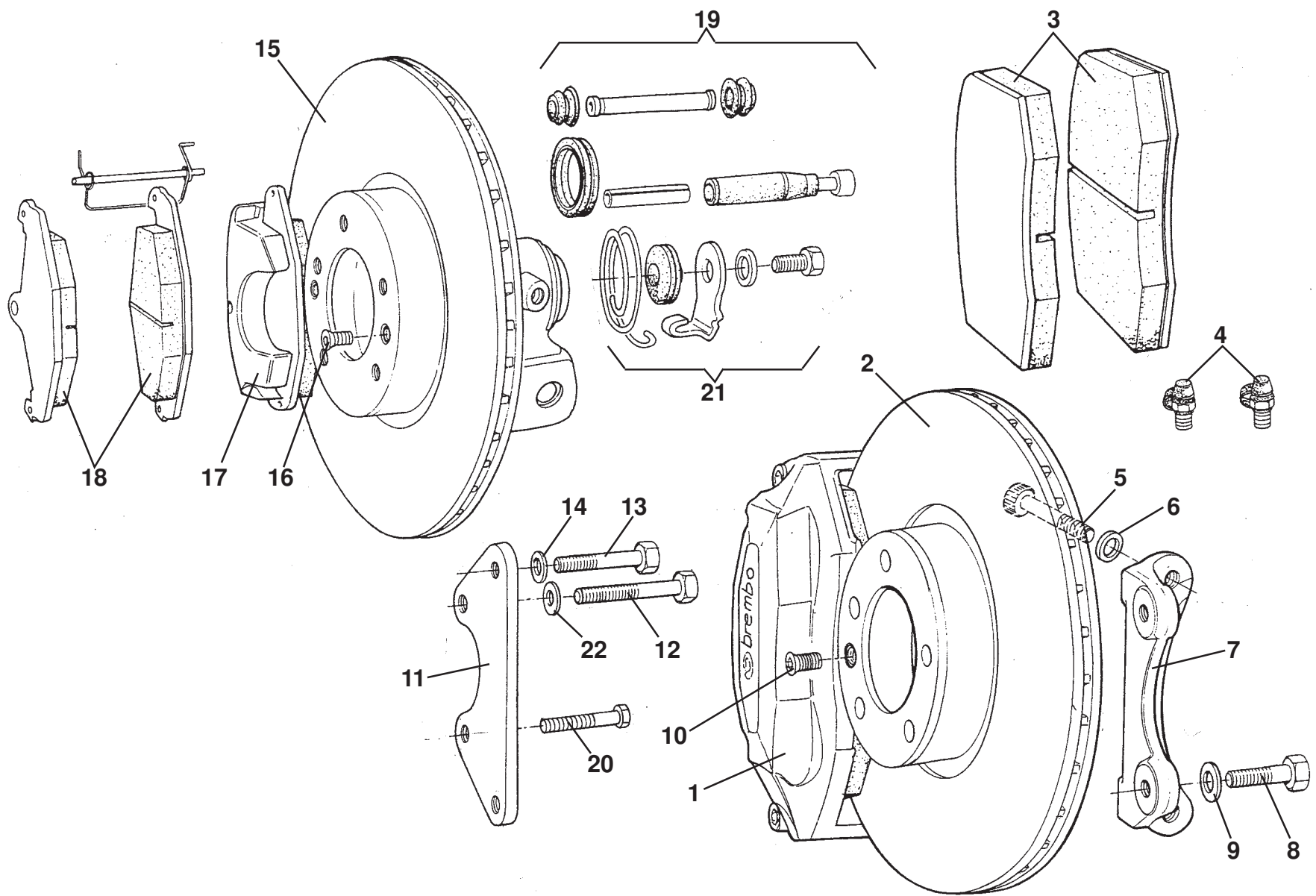
**Function Code 32.05 Upper Column, Steering Wheel**

<u>Dep</u>	<u>Part Description</u>	<u>Remarks</u>	<u>Option</u>	<u>Part Number</u>	<u>Qty</u>
34	Seal, column to bulkhead			A082H6046F	1
35	Starlock Fastener, panel to bulkhead			A082W6507F	4
36	Self Cancelling Bush		Common	B082M4848F	1

---

18





**ESPRIT**  
**33.01**

# Service Parts List



## Function Code 33.01 Brake Discs, Calipers, & Parking Brake Assembly

<u>Dep</u>	<u>Part Description</u>	<u>Remarks</u>	<u>Option</u>	<u>Part Number</u>	<u>Qty</u>
01	Brake Caliper, Brembo, front, RH	Includes brake pads		<b>A082J4382F</b>	1
01a	Brake Caliper, Brembo, front, LH	Includes brake pads		<b>A082J4383F</b>	1
01b	Brake Caliper Assembly, AP Racing, front, RH, blue	Includes mounting brackets	Sport 350	<b>A082J6192S</b>	1
01c	Brake Caliper Assembly, AP Racing, front, LH, blue	Includes mounting brackets	Sport 350	<b>A082J6193S</b>	1
01d	Brake Caliper Assembly, AP Racing, front, RH, black	Includes mounting brackets	V8* see below	<b>A082J4490F</b>	1
01e	Brake Caliper Assembly, AP Racing, front, LH, black	Includes mounting brackets	V8* see below	<b>A082J4491F</b>	1
02	Brake Disc, Brembo, front		A082J4380F R/B	<b>B082J4380S</b>	2
02a	Front Brake Disc Kit, 320mm	Includes 2 disc assemblies	Sport 350, plus *see below	<b>A082J6189F</b>	1
02b	Brake Disc, grooved/dimpled, front	For early V8 (292mm)	Motorsport option	<b>LOTAC05363</b>	2
03	Brake Pad Set, Brembo, front		V8, GT3, Brembo	<b>A082J6156S</b>	1
03a	Brake Pad Set, AP Racing, front	Includes anti-noise shim overlays	Sport 350, plus *see below	<b>A082J6200H</b>	1
03b	Brake Pad Set, AP Racing, front	Includes anti-noise shim overlays	Sport 350, track	<b>A082J6201S</b>	1
03c	Brake Pad Set, 'Red Stuff', front	Use with item 2b	Motorsport option	<b>LOTAC05366</b>	1
04	Bleed Nipple Kit, front & rear calipers	Includes 2 nipples & 2 dust covers		<b>A082J6161S</b>	2
05	Bolt, M12 x 65, brkt. to front caliper.			<b>A100W7083F</b>	4
05a	Bolt, M10, cap hd., brkt. to front caliper	Included in AP Racing kits	Sport 350, plus *see below	<b>A082J6188S</b>	1
06	Washer, brkt. to front caliper			<b>A082J4386F</b>	4
07	Adaptor Bracket, front caliper mounting			<b>A082J4376K</b>	2



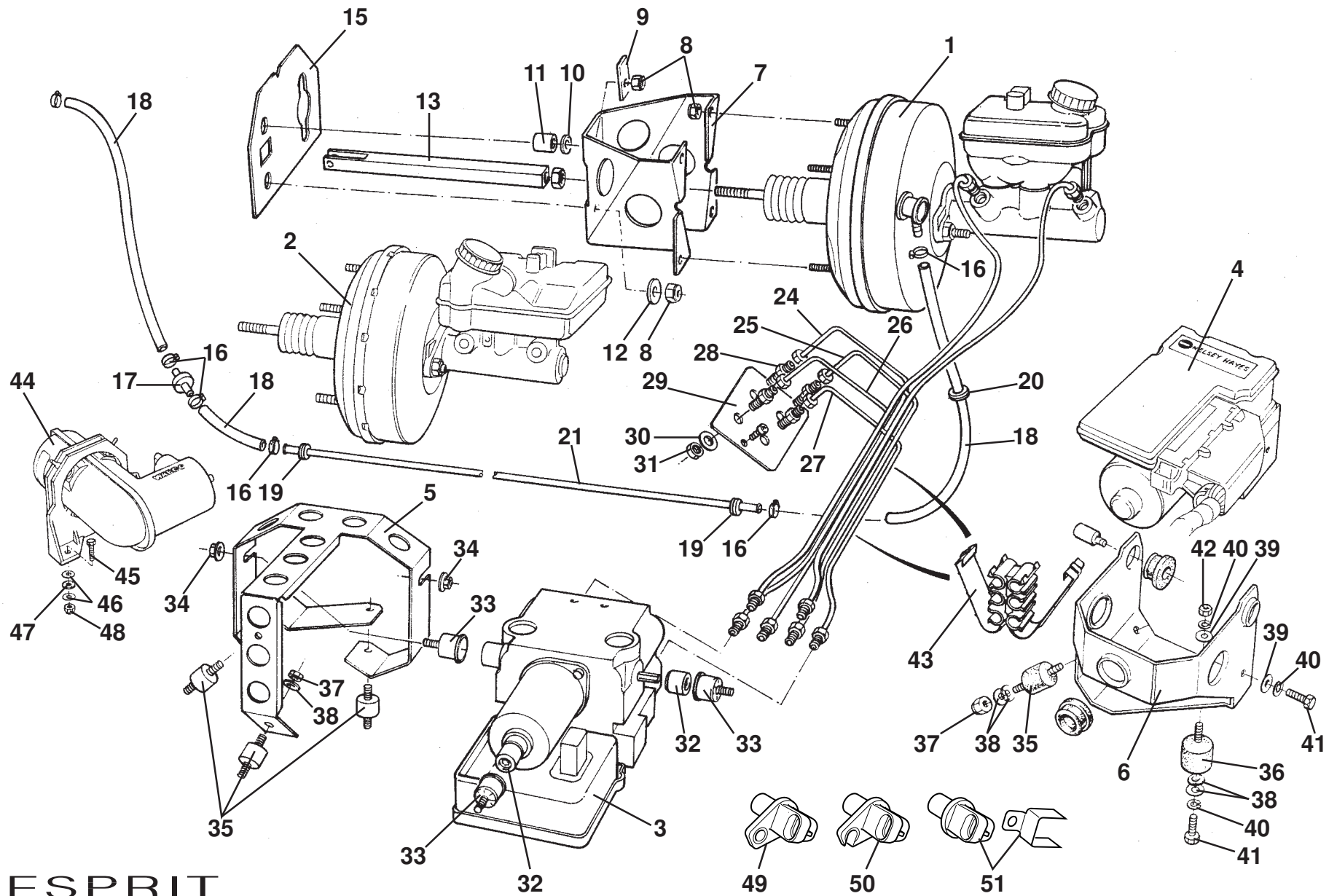
**Function Code 33.01 Brake Discs, Calipers, & Parking Brake Assembly**

<u>Dep</u>	<u>Part Description</u>	<u>Remarks</u>	<u>Option</u>	<u>Part Number</u>	<u>Qty</u>
08	Bolt, M12 x 35, cap hd., brkt. to front hub carrier			A075W1059Z	4
08a	Bolt, M12, cap hd., brkt. to hub front carrier	Included in AP Racing kits	Sport 350, plus *see below	A082J6195H	4
09	Washer, spring, brkt. to front hub carrier			A075W4069F	4
10	Screw, M10, brake disc retention			A082J4381F	2
11	Adaptor Plate, rear caliper to hub carrier, LH			A082J4375F	1
11a	Adaptor Plate, rear caliper to hub carrier, RH			A082J4374F	1
11b	Adaptor Plate, rear caliper to hub carrier, LH	Used with 320mm rear discs	Sport 350, plus *see below	B082J4469F	1
11c	Adaptor Plate, rear caliper to hub carrier, RH	Used with 320mm rear discs	Sport 350, plus *see below	B082J4468F	1
12	Setscrew, M10 x 80, hex. hd., rear caliper to plate			A082W1113F	2
13	Setscrew, M12 x 32, hex. hd., plate to rear hub carrier			A089J8017F	4
14	Washer, plate to rear hub carrier			A075W4028Z	4
15	Brake Disc, Brembo, rear			A082D4160F	2
15a	Rear Brake Disc Kit, 320mm	Includes 2 disc assemblies	Sport 350, plus *see below	A082J6190F	1
16	Screw, brake disc retention			A082C6037F	4
17	Brake Caliper, rear, RH	Includes brake pads		B117J0080F	1
17a	Brake Caliper, rear, RH	Does not include brake pads	A082J6150F & 0148F R/B	B116J0082S	1
17b	Brake Caliper, rear, LH	Includes brake pads		B117J0079F	1
17c	Brake Caliper, rear, LH	Does not include brake pads	A082J6151F & 0149F R/B	B116J0081S	1
18	Brake Pad Set, rear	Brembo system cars	V8, GT3, Brembo	A082J6157S	1
18a	Brake Pad Set, rear, lead free			A117J0085S	1
19	Sliding Pin Bush Kit, rear calipers	Includes sleeves, boots & seals		A082J6162S	2

18

## Function Code 33.01 Brake Discs, Calipers, & Parking Brake Assembly

<u>Dep</u>	<u>Part Description</u>	<u>Remarks</u>	<u>Option</u>	<u>Part Number</u>	<u>Qty</u>
20	Setscrew, M8 x 60, cap hd., caliper to plate			<b>A082W1114F</b>	2
21	Rear Caliper, park brake, lever kit, RH	Includes lever screw, washer & boot		<b>A082J6160S</b>	1
21a	Rear Caliper, park brake, lever kit, LH	Includes lever screw, washer & boot		<b>A082J5159S</b>	1
22	Washer, flat, M10 x 20 x 3, top bolt rear caliper to plate	Used with 320mm discs	Sport 350, plus *see below	<b>A111W4180F</b>	2
23	AP Racing Brake Upgrade Kit	Comprising items 24/25/26, plus hoses (see 33.03)	See S/N section JG	<b>A082J4489S</b>	1
24	AP Racing Front Brake Disc Kit	Comprising items 02a/02b/	See S/N section JG	<b>A082J6189F</b>	1
25	AP Racing Front Caliper Kit	Comprising items 01b/01c/05a/8a/27/28, plus hoses (see 33.03)	See S/N section JG	<b>A082J6191F</b>	1
26	AP Racing Rear Brake Disc Kit	Comprising items 15a/15b/	See S/N section JG	<b>A082J6190F</b>	1
27	Anti-Rattle Clip, front caliper	Not illustrated, included in AP Racing kits		<b>A082J6194H</b>	2
28	Anti-Noise Shim Overlays, front pads	Not illustrated, included in AP Racing kits		<b>A082J6203H</b>	4
		* USA 2000 MY on: VIN Y 5869, ROW from VIN: 1 0184			



**ESPRIT**  
**33.03**

*Updated 6th February 2013*

# Service Parts List



## Function Code 33.03 Master Cylinder, Servo, ABS Controller, Pipes & Hoses

<u>Dep</u>	<u>Part Description</u>	<u>Remarks</u>	<u>Option</u>	<u>Part Number</u>	<u>Qty</u>
01	Servo/Master Cylinder Assembly	Allied Signal, Master cylinder, 132418B repair kit, 701234B	Prior to '98 MY	A082J4409F	1
02	Servo/Master Cylinder Assembly		'98 MY on	A082J4467F	1
02a	Gauze Filter, brake fluid reservoir	Not illustrated		A082J6174F	1
03	ABS Control Unit, Kelsey Hayes 415		Prior to '98 MY	A082J4399F	1
04	ABS Control Unit, Kelsey Hayes EBC 430	Includes grommets & fixing pins	'98 MY on	A082J4457F	1
05	Bracket, ABS control unit 415 mounting, LHD		Prior to '98 MY	A082J4413F	1
05a	Bracket, ABS control unit 415 mounting, RHD		Prior to '98 MY	A082J4396F	1
06	Bracket, ABS control unit EBC 430 mounting, LHD		'98 MY on	A082J4455F	1
06a	Bracket, ABS control unit EBC 430 mounting, RHD		'98 MY on	A082J4456F	1
07	Mounting Bracket, servo to pedal box			A082J4416F	1
08	Nyloc Nut, M8, servo to bracket/ bracket to pedal box			A075W3010Z	6
09	Spacer, bracket top mounting			A082J6170F	1
10	Washer, M8 x 16.6 x 1.4			A075W4020Z	2
11	Spacer, servo bracket to pedal box			A079J4004F	2
12	Washer, lower bolt fixing			A075W3019F	1
13	Push Rod, brake pedal to master cylinder			A082J4408F	1
14	Lock Nut, push rod to master cylinder			A075W3024Z	1
15	Gasket, cylinder mounting			A082J4255F	1

**Function Code 33.03 Master Cylinder, Servo, ABS Controller, Pipes & Hoses**

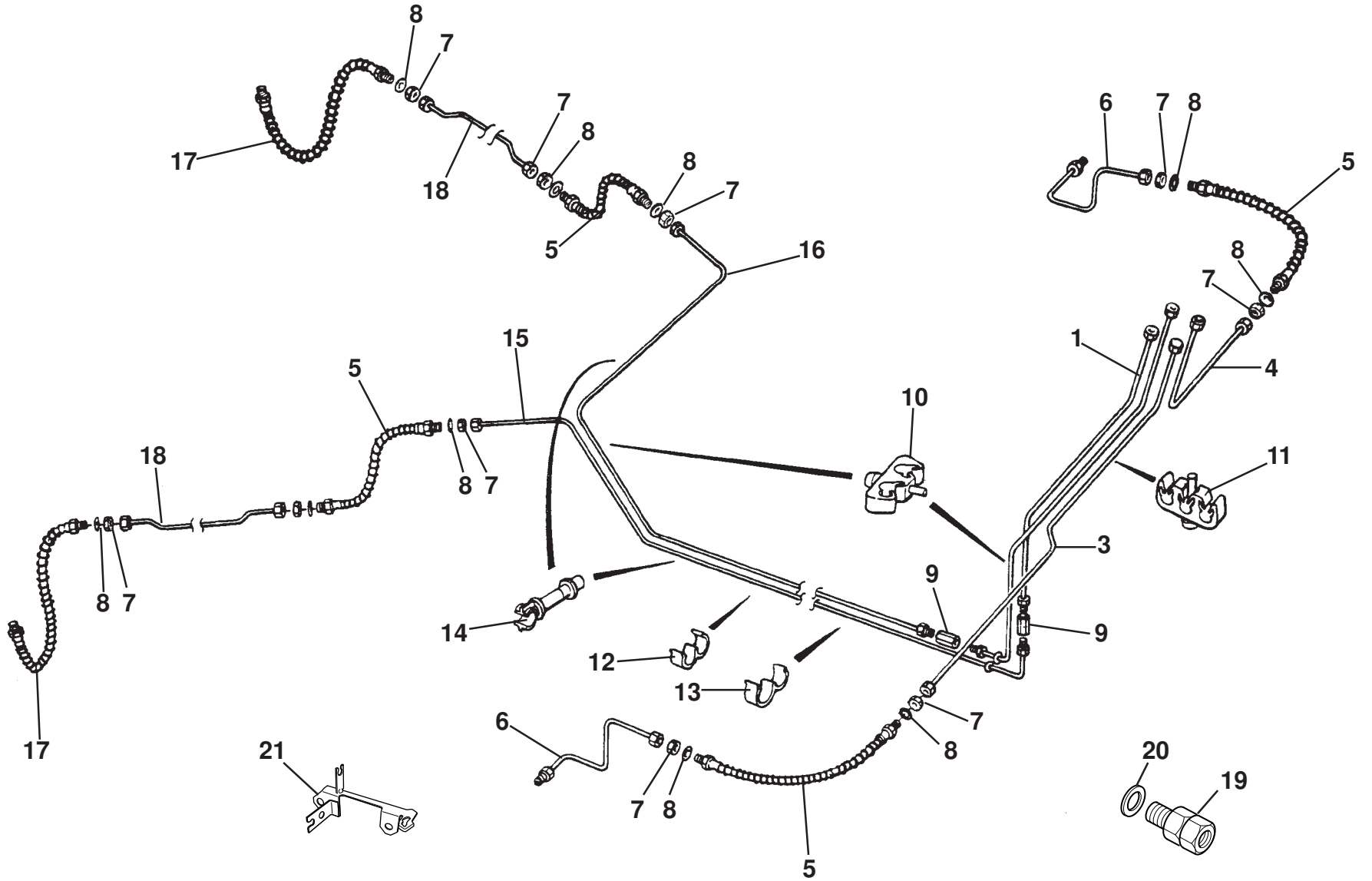
<u>Dep</u>	<u>Part Description</u>	<u>Remarks</u>	<u>Option</u>	<u>Part Number</u>	<u>Qty</u>
16	Clip, vacuum hose			A079M6132F	6
17	Non Return Valve			A082J4401F	1
18	Vacuum Hose, 9.5mm bore, black			A082J6124V	As req
19	Grommet. vacuum bundy pipe thr'o chassis			X036L6004Z	2
20	Grommet, servo vacuum pipe			X036B6167Z	1
21	Bundy Pipe, servo vacuum, thro' chassis			A082J4115F	1
22	Brake Pipe, rear, master cylinder, LHD			A082J4421P	1
22a	Brake Pipe, rear, master cylinder, RHD			A082J4420P	1
23	Brake Pipe, front, master cylinder, LHD			A082J4419P	1
23a	Brake Pipe, front, master cylinder, RHD			A082J4422P	1
24	Brake Pipe, ABS unit to union plate			A082J4427P	1
25	Brake Pipe, ABS unit to union plate			A082J4428P	1
26	Brake Pipe, ABS unit to union plate			A082J4427P	1
27	Brake Pipe, ABS unit to union plate			A082J4427P	1
28	Connector/union, brake pipes			A089J6013F	4
29	Fixing plate, brake pipes/bulkhead			A082J4405F	1
30	Washer, shakeproof, M10			A075W4049Z	4
31	Lock Nut, connector /union to fixing plate			A075J6017Z	4
32	Isolation bush, ABS control unit			A082J4402F	3
33	Isolation cap, ABS control unit			A082J4400F	3
34	Flange Nut, M6, isolation cap to mounting bracket			A082J6165F	3

18

**Function Code 33.03 Master Cylinder, Servo, ABS Controller, Pipes & Hoses**

<u>Dep</u>	<u>Part Description</u>	<u>Remarks</u>	<u>Option</u>	<u>Part Number</u>	<u>Qty</u>
35	Rubber Bobbin, bracket to body	Two studs	2 off, '98 MY on	A082J6170F	3
36	Rubber Bobbin, bracket to body	One stud, one tapped insert	'98 MY on	A082J6177F	1
37	Nyloc Nut, M6, bobbin to body			A075W3009Z	3
38	Washer, flat. 3/16" x 0.75",bobbin to body			A075W4009Z	6
39	Washer, flat, M6 x 15, bobbin to bracket	Also earth point		A075W4015Z	4
40	Washer, spring, M6, bobbin to bracket	Also earth point		A075W4035Z	1
41	Screw, M6 x 18, hex. hd., bobbin to bracket	Also earth point		A075W1029Z	2
42	Nut, M6, bobbin to bracket			A075W3020Z	3
43	Pipe Clip, six way			A082J6166F	2
44	Vacuum Pump, electric	Incl. non-serviceable vac. Switch, not available try S K and D Morton	GT3, '98 MY on	A082J6175F	1
45	Screw, M8 x 25, hex. hd., pump to body		GT3, '98 MY on	A075W1039Z	2
46	Washer, flat. M8 x 16.6, pump to body		GT3, '98 MY on	A079W4020Z	4
47	Washer, rubber, M8 x 15, pump to body		GT3, '98 MY on	A089W4093F	2
48	Nyloc Nut, M8, pump to body		GT3, '98 MY on	A075W3010Z	2
49	Wheel Speed Sensor, front, LH			C082M6485F	1
50	Wheel Speed Sensor, front, RH			C082M6484F	1
51	Wheel Speed Sensor, rear			C082M6483F	2





**ESPRIT**  
**33.04**

*Updated 6th February 2013*

# Service Parts List



## Function Code 33.04 Fluid Pipes & Hoses

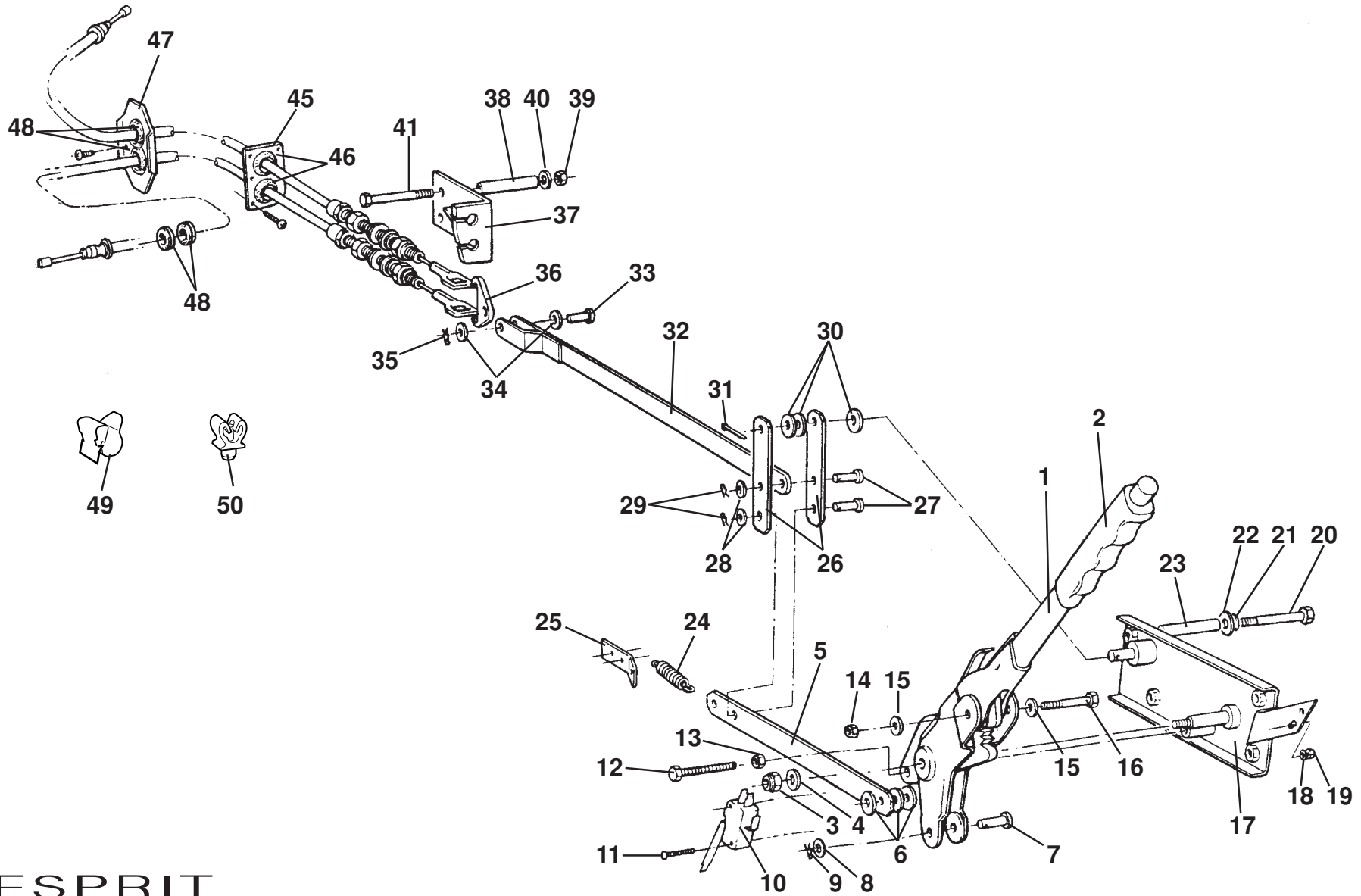
<u>Dep</u>	<u>Part Description</u>	<u>Remarks</u>	<u>Option</u>	<u>Part Number</u>	<u>Qty</u>
01	Bundy Pipe, RHD	Connector to RH rear bundy pipe		A082J4430P	1
01a	Bundy Pipe, LHD	Connector to RH rear bundy pipe		A082J4431P	1
02	Bundy Pipe, RHD	Connector to LH rear bundy pipe		A082J4432P	1
02a	Bundy Pipe, LHD	Connector to LH rear bundy pipe		A082J4433P	1
03	Bundy Pipe, RHD	To RH front flex. hose		A082J4436P	1
03a	Bundy Pipe, LHD	To RH front flex.hose		A082J4438P	1
04	Bundy Pipe, RHD	To LH front flex. hose		A082J4437P	1
04a	Bundy Pipe, LHD	To LH front flex. hose		A082J4437P	1
05	Flexiible Hose	To front calipers & rear radius arms		A082J4388F	4
06	Bundy Pipe, front	Supplied straight		A082J4387F	2
06a	Bundy Pipe, front, RH		Sport 350, AP Racing calipers	A082J6196H	1
06b	Bundy Pipe, front, LH		Sport 350, AP Racing calipers	A082J6197H	1
07	Nut			A075J6017Z	10
08	Washer			A075W4049Z	10
09	Pipe Connector			A079J6020F	2
10	Pipe Holder	Blue		A100J6044F	1
11	Pipe Holder	Black		A082W6546F	1
12	Twin Pipe Clip	Double small bore		A082W6547F	3

---

**Function Code 33.04 Fluid Pipes & Hoses**

<u>Dep</u>	<u>Part Description</u>	<u>Remarks</u>	<u>Option</u>	<u>Part Number</u>	<u>Qty</u>
13	Twin Pipe Clip	Large/small bore		A082W6548F	9
14	Pipe Clip	Large bore		A079W6124F	6
14a	Pipe Clip	Small bore		A079J6027Z	7
15	Bundy Pipe	Connector to LH rear flex hose		A082J4434F	1
16	Bundy Pipe	Connector to RH rear flex hose		A082J4435F	1
17	Flexible Hose, rear	To rear calipers		A082J4390F	2
18	Bundy Pipe, rear			A082J4182P	2
19	Union, brake hose to front caliper		Sport 350, AP Racing calipers	A082J6198H	2
20	Copper Washer, brake pipe union		Sport 350, AP Racing calipers	A082J6199H	2
21	Bracket, ABS cable support/hose abutment, RH			A082J4378F	1
21a	Bracket, ABS cable support/hose abutment, LH	Not illustrated		A082J4379F	1

---



**ESPRIT**  
**33.05**

*Updated 6th February 2013*

# Service Parts List



## Function Code 33.05 Parking Brake Mechanism

<u>Dep</u>	<u>Part Description</u>	<u>Remarks</u>	<u>Option</u>	<u>Part Number</u>	<u>Qty</u>
01	Parking Brake Lever Assembly			A082J4157F	1
02	Hand Grip, parking brake lever			A079J6050F	1
02a	Hand Grip, parking brake lever, aluminium		2002 MY	A082J4492F	1
03	Nyloc Nut, M8, lever to pivot			A075W3010F	1
04	Washer, flat, M8, lever to pivot			A075W4019F	1
05	Link, lever to multiplier			A082J4122K	1
06	Washer, M6 x 20, lever to link			A075W4016Z	3
07	Clevis Pin, lever to link			A079W6026F	1
08	Washer, flat, M6 x 15, clevis pin to 'R' clip			A075W4015Z	1
09	'R' Clip, clevis retention			A079W6175F	1
10	Microswitch, park brake tell tale			C075M6084F	1
11	Screw, M3 x 20, pan hd. pozi., switch to bracket			A083W5163F	2
12	Setscrew, M6 x 30, hex. hd., ratchet to lever			A075W1032Z	1
13	Lock Nut, M6, ratchet to lever			A075W3020Z	1
14	Nyloc Nut, M6, fold down pivot			A075W3009Z	1
15	Washer, flat, M6 fold down pivot			A075W4013Z	2
16	Setscrew, M6 x 30, hex. hd., fold down pivot			A075W1032Z	1
17	Mounting Plate, parking brake lever		RHD	D082B4478J	1



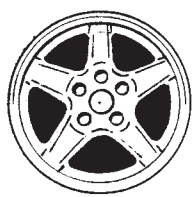
**Function Code 33.05 Parking Brake Mechanism**

<u>Dep</u>	<u>Part Description</u>	<u>Remarks</u>	<u>Option</u>	<u>Part Number</u>	<u>Qty</u>
17a	Mounting Plate, parking brake lever		LHD	D082B4479J	1
18	Washer, flat, 3/16" x 0.5" microswitch to bracket			A075W4000Z	2
19	Nyloc Nut, M3, microswitch to bracket			A079W3060F	2
20	Bolt, M8 x 75, hex. hd., plate fixing			A075W2046Z	4
21	Washer, spring, M8 plate fixing			A075W4036Z	4
22	Washer, flat, M8 x 25, plate fixing			A075W4021Z	4
23	Spacer Tube, plate fixing			A082B4484F	4
24	Spring, lever return			A082J6075F	1
25	Anchor Bracket, return spring			A082J4159F	1
26	Connector, link to actuator rod			B082J4121K	2
27	Clevis Pin, multiplier lever to links			A075W6031Z	2
28	Washer, multiplier clevis			A075W4015Z	2
29	' R ' Clip, clevis retention			A075W6175Z	2
30	Washer, flat, M10 x 20.5, multiplier lever pivot			A075W4024Z	3
31	Split pin, multiplier lever pivot			A075W6009Z	1
32	Actuator rod, multiplier to compensator			A082J4120F	1
33	Clevis pin, actuator rod to compensator			A075W6033Z	1
34	Washer, clevis pin			A075W4020Z	2
35	' R ' pin, clevis retention			A075W6175Z	1
36	Compensator, parking brake cables			A082J4294F	1
37	Abutment, parking brake cable front		RHD	E079J4022F	1

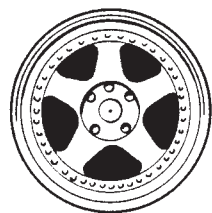
18

**Function Code 33.05 Parking Brake Mechanism**

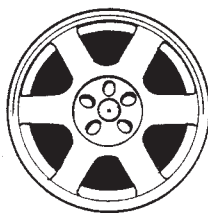
<u>Dep</u>	<u>Part Description</u>	<u>Remarks</u>	<u>Option</u>	<u>Part Number</u>	<u>Qty</u>
37a	Abutment, parking brake cable front		LHD	E079J4021F	1
38	Spacer tube, abutment fixing			A082B4484F	2
39	Nyloc Nut, M6 , abutment to sill			A075W3010Z	2
40	Washer, flatM8 x 25, abutment to sill			A075W4021Z	2
41	Bolt, M8 x 75, hex. hd., abutment to sill			A075W2046Z	2
42	Cable, parking brake, long, passenger side	2730 mm long		A082J4372F	1
43	Cable, parking brake, short, drivers side	1802 mm long		A082J4373F	1
44	Screw, grommet plate fixing			A075W5015Z	6
45	Grommet plate, parking brake cables			A079U4483F	1
46	Grommet, parking brake cables			A079U6033F	4
47	Grommet plate, into engine bay			A082J4392F	1
48	Grommet, cable thr'o chassis/cables th'o plate			A082L6181F	4
49	Spring Clip, cable to radius arms			A089W6272F	4
50	Clip, cable to chassis/radius arm			A082W6457F	As req.



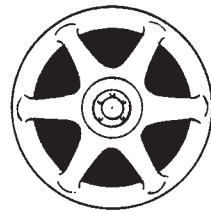
OZ (GT3)



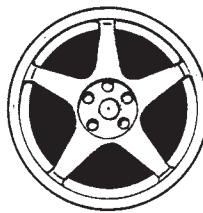
OZ Futura (V8)



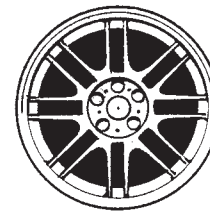
AWI (V8)



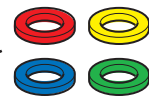
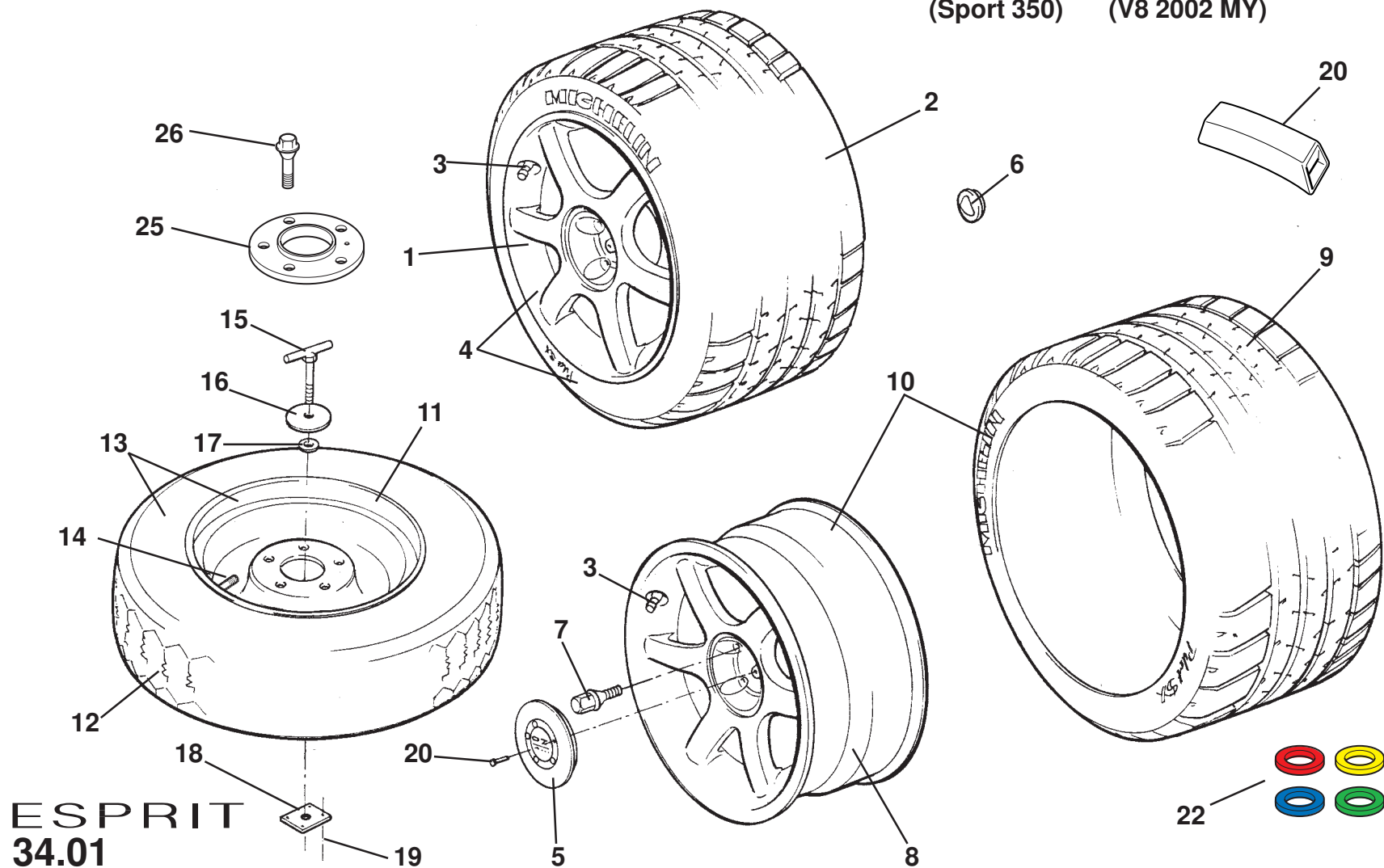
OZ Saturn (V8)



OZ Crono  
(Sport 350)



OZ Nova  
(V8 2002 MY)



22



# Service Parts List



## Function Code 34.01 Wheels, Tyres & Valves

<u>Dep</u>	<u>Part Description</u>	<u>Remarks</u>	<u>Option</u>	<u>Part Number</u>	<u>Qty</u>
01	Front Wheel , OZ monobloc, 6 spoke, 8.5J x 17 ET19	OZ badge (now discontinued, R/B B level)	V8, V8GT up to * see below	A082G6108L	2
01a	Front Wheel , OZ monobloc, 6 spoke, 8.5J x 17 ET19	Lotus badge	V8, V8GT, 2000 MY	B082G6108L	2
01b	Front Wheel, OZ split rim, 5 spoke, 8.5J x 17 ET19		Early V8, S4S	B082G6091F	2
01c	Front Wheel, OZ monobloc, 5 spoke, 7J x 17		GT3	A082G6083F	2
01d	Front Wheel, OZ monobloc, 5 spoke, 8.5J x 17 ET19	Magnesium	Sport 350	A082G6110L	2
01e	Front Wheel, AWI monobloc, 8.5J x 17 ET19		V8, prior to VIN: W15630	A082G4108L	2
01f	Front Wheel, OZ Nova, 16 spoke, 8.5J x 17 ET19		V8, 2002 MY	A082G6126L	2
02	Front Tyre, Michelin Pilot SX MXX3 235/40 ZR 17		V8 all models	A082G6089S	2
02a	Front Tyre, Goodyear Eagle GS-A, 215/40 ZR17		GT3	A082G4092H	2
02b	Front Tyre, Pirelli P Zero, 235/40 ZR17		Sport 350	A082G6115H	2
02c	Front tyre, Dunlop SP Sport 9000, 235/40 ZR 17		V8 all	A082G6122L	2
03	Tyre Valve, for OZ monobloc wheels		V8, V8GT, P691.3401.611AH R/B	A082G6027H	4
03a	Tyre Valve, for OZ split rim wheels		V8, S4S	P691.3401.611AS	4
03b	Tyre Valve, for AWI (V8) & OZ monobloc (GT3) wheels		V8, GT3	A082G6027H	4
03c	Tyre Valve, for OZ monobloc magnesium wheels		Sport 350, A082G6117H R/B	A082G6027H	4
04	Wheel & Tyre Assembly, front OZ, 6 spoke	OZ badge	V8, V8GT* see below	A082G4113F	2
04a	Wheel & Tyre Assembly, front OZ, 6 spoke	Lotus badge	V8, V8GT, 2000 MY	B082G4113F	2

Function Code: 34.01, Page: 1

Updated 2nd February 2015

**Function Code 34.01 Wheels, Tyres & Valves**

<u>Dep</u>	<u>Part Description</u>	<u>Remarks</u>	<u>Option</u>	<u>Part Number</u>	<u>Qty</u>
04b	Wheel & Tyre Assembly, front OZ, split rim		Early V8, S4S	<b>B082G4104F</b>	2
04c	Wheel & Tyre Assembly, front, OZ, 5 spoke		GT3	<b>A082G4094F</b>	2
04d	Wheel & Tyre Assembly, front, OZ, 5 spoke	Magnesium, Pirelli tyre	Sport 350	<b>A082G4117F</b>	2
04e	Wheel & Tyre Assembly, front, OZ, 5 spoke, RH	Magnesium, Dunlop tyre	Sport 350	<b>A082G4119F</b>	1
04f	Wheel & Tyre Assembly, front, OZ, 5 spoke, LH	Magnesium, Dunlop tyre	Sport 350	<b>A082G4120F</b>	1
04g	Wheel & Tyre Assembly, front, AWI monobloc		V8, prior to VIN: W15630	<b>A082G4110F</b>	2
04h	Wheel & Tyre Assembly, front, OZ Nova, RH		V8, 2002 MY	<b>A082G4127F</b>	1
04i	Wheel & Tyre Assembly, front, OZ Nova, LH		V8, 2002 MY	<b>A082G4128F</b>	1
05	Wheel Centre Cover, OZ monobloc, OZ badge, rear	For fixings see item 24	V8, V8GT* see below	<b>A082G6113S</b>	2
05a	Wheel Centre Cover, OZ monobloc, OZ badge, front	For fixings see item 24	V8, V8GT* see below	<b>A082G6112S</b>	2
05b	Wheel Centre Cover, OZ monobloc, Lotus badge, rear	For fixings see item 24	V8, V8GT, 2000 MY	<b>A082G6119S</b>	2
05c	Wheel Centre Cover, OZ monobloc, Lotus badge, front	For fixings see item 24	V8, V8GT, 2000 MY	<b>A082G6118S</b>	2
5d	Wheel Centre Cover, OZ split rim	Not illustrated	Early V8, S4S	<b>A082G6099S</b>	4
5e	Tool & Eight Screws, cover fixing	Not illustrated	Early V8, S4S	<b>A082G6100S</b>	1
06	Wheel Centre, Lotus badge, AWI monobloc	Black surround, 50mm dia 13mm deep, flush fitting	V8, A082G4112F R/B	<b>A120G0046F</b>	4
06a	Wheel Centre, Lotus badge, OZ monobloc	Not illus. also fits Crono wheels, black surround	GT3, Sport 350	<b>A082G6071F</b>	4
06b	Wheel Centre, Lotus badge, OZ Nova	Not illustrated, silver surround	V8 2002 MY	<b>A082G6130S</b>	4
07	Wheel Bolt	Torque to 10daNM ( 74 ft/lb )	V8, V8GT, GT3	<b>A082G6038F</b>	20
07a	Wheel Bolt	For magnesium wheels	Sport 350	<b>A082G6114F</b>	20

18

**Function Code 34.01 Wheels, Tyres & Valves**

<u>Dep</u>	<u>Part Description</u>	<u>Remarks</u>	<u>Option</u>	<u>Part Number</u>	<u>Qty</u>
08	Rear Wheel, OZ monoblock, 6 Spoke, 10J x 18 ET17	OZ badge	V8, V8GT* see below	A082G6109L	2
08a	Rear Wheel, OZ monoblock, 6 Spoke, 10J x 18 ET17	Lotus badge	V8, V8GT, 2000 MY	B082G6109L	2
08b	Rear Wheel, OZ split rim, 5 spoke, 10J x 18 ET17		Early V8, S4S	B082G6092F	2
08c	Rear Wheel, OZ monobloc, 5 spoke, 8.5J x 17		GT3	A082G6084F	2
08d	Rear Wheel, OZ monobloc, 5 spoke, 10J x 18 ET17	Magnesium	Sport 350	A082G6111L	2
08e	Rear Wheel, AWI monobloc, 10J x 18 ET17		V8, prior to VIN: W15630	A082G4109L	2
08f	Rear Wheel, OZ Nova, 16 spoke, 10J x 18 ET17		V8, 2002 MY	A082G6125L	2
09	Rear Tyre, Michelin Pilot SX MXX3 285/35 ZR 18		V8 all models	A082G6090S	2
09a	Rear Tyre, Goodyear Eagle GS-A, 245/45 ZR17		GT3	A082G4093H	2
09b	Rear Tyre, Pirelli P Zero, 295/35 ZR18		Sport 350	A082G6116H	2
09c	Rear Tyre, Dunlop SP Sport 9000, 285/35 ZR 18		V8 all	A082G6123L	2
10	Wheel & Tyre Assembly, rear OZ, 6 spoke	OZ badge	V8, V8GT* see below	A082G4114F	2
10a	Wheel & Tyre Assembly, rear OZ, 6 spoke	Lotus badge	V8, V8GT, 2000 MY	B082G4114F	2
10b	Wheel & Tyre Assembly, rear, OZ split rim.		V8, S4S	B082G4105F	2
10c	Wheel & Tyre Assembly, rear, 5 spoke		GT3	A082G4095F	2
10d	Wheel & Tyre Assembly, rear, OZ 5 spoke	Magnesium, Pirelli tyre	Sport 350	A082G4118F	2
10e	Wheel & Tyre Assembly, rear, OZ 5 spoke, RH	Magnesium, Dunlop tyre	Sport 350	A082G4121F	1
10f	Wheel & Tyre Assembly, rear, OZ 5 spoke, LH	Magnesium, Dunlop tyre	Sport 350	A082G4122F	1
10g	Wheel & Tyre Assembly, rear, AWI monobloc		V8, prior to VIN: W15630	A082G4111F	2
10h	Wheel & Tyre Assembly, rear, OZ Nova, RH		V8, 2002 MY	A082G4129F	1
10i	Wheel & Tyre Assembly, rear, OZ Nova, LH		V8, 2002 MY	A082G4130F	1

18

**Function Code 34.01 Wheels, Tyres & Valves**

<u>Dep</u>	<u>Part Description</u>	<u>Remarks</u>	<u>Option</u>	<u>Part Number</u>	<u>Qty</u>
11	Spare Wheel, 4J x 16 H2	Temporary use only	V8, A082G6085H R/B	A082G4131F	1
12	Spare Tyre, Michelin Tex T125/80 R16	Temporary use only	V8, A082G6086H R/B	A082G4131F	1
13	Spare Wheel & Tyre Assembly, 17" rim, Bridgestone	Temporary use only	V8, A082G6087F R/B	A082G4131F	1
13a	Spare Wheel & Tyre Assembly, 17" rim, Continental	Temporary use only (includes spacer)	V8	A082G4137F	1
13b	Bag, wheel bolts stowage	Not illustrated	AP Racing brakes	A082T4032K	1
14	Tyre Valve, spare wheel		V8	A082G6088H	1
15	'T' Bolt, spare wheel retention		V8	E082U4763F	1
15a	'L' Bolt, spare wheel retention		Late cars	A082U7834F	1
16	Clamp Plate, spare wheel retention		V8	A075U0492Z	1
17	'O' Ring, clamp plate to bolt		V8	A912E6398F	1
18	Tapping Plate, clamp bolt fixing		V8	A079U4341K	1
19	Pop Rivet, tapping plate to body		V8	A075W6068Z	4
20	Transmitter Kit, tyre pressure monitoring		'Final Edition'	A082M6700H	4
21	Securing Strap, sensor to wheel	Not illustrated	'Final Edition'	A082M6701H	4
22	Coloured Washer Set, 4 off		'Final Edition'	A117G6028F	1
23	Warning Label, 'Smartire'	Not illus., on rim, also see 19.01	'Final Edition'	A082M6702H	4
24	Fitting Kit, OZ Saturn wheel centre covers*	Not illus., 4 screws and tool, for items 5-5c	V8	A082G6129S	1
25	Spacer, spare wheel to hub		AP Racing brakes	A082G4132F	1
26	Bolt, spare wheel to hub		AP Racing brakes	A082G4133F	5

18

---

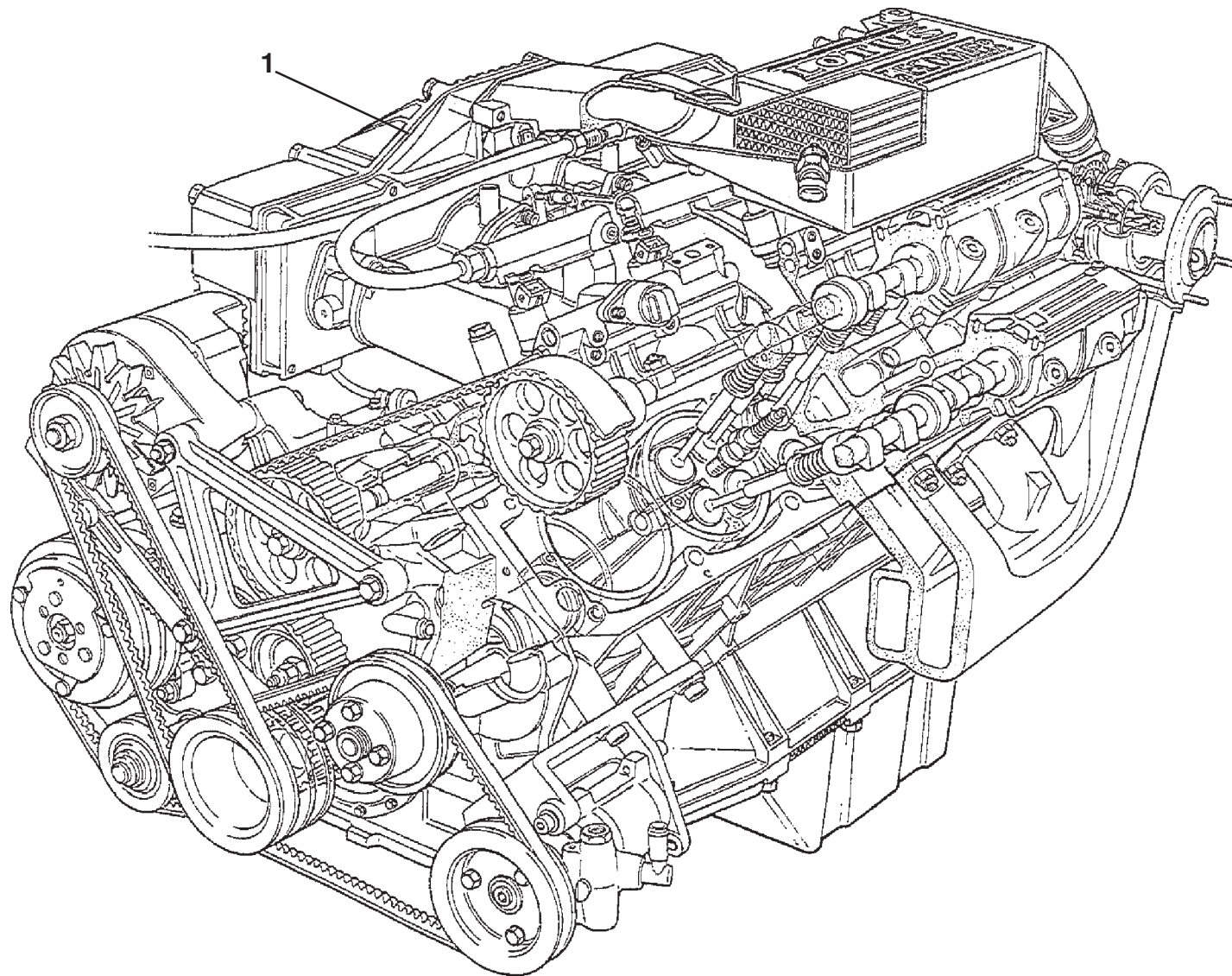
**Function Code 34.01 Wheels, Tyres & Valves**

<u>Dep</u>	<u>Part Description</u>	<u>Remarks</u>	<u>Option</u>	<u>Part Number</u>	<u>Qty</u>
		* VIN: W15630 to 2002 MY			

---

---

18



ESPRIT  
40.00a

*Updated 1st September 2014*

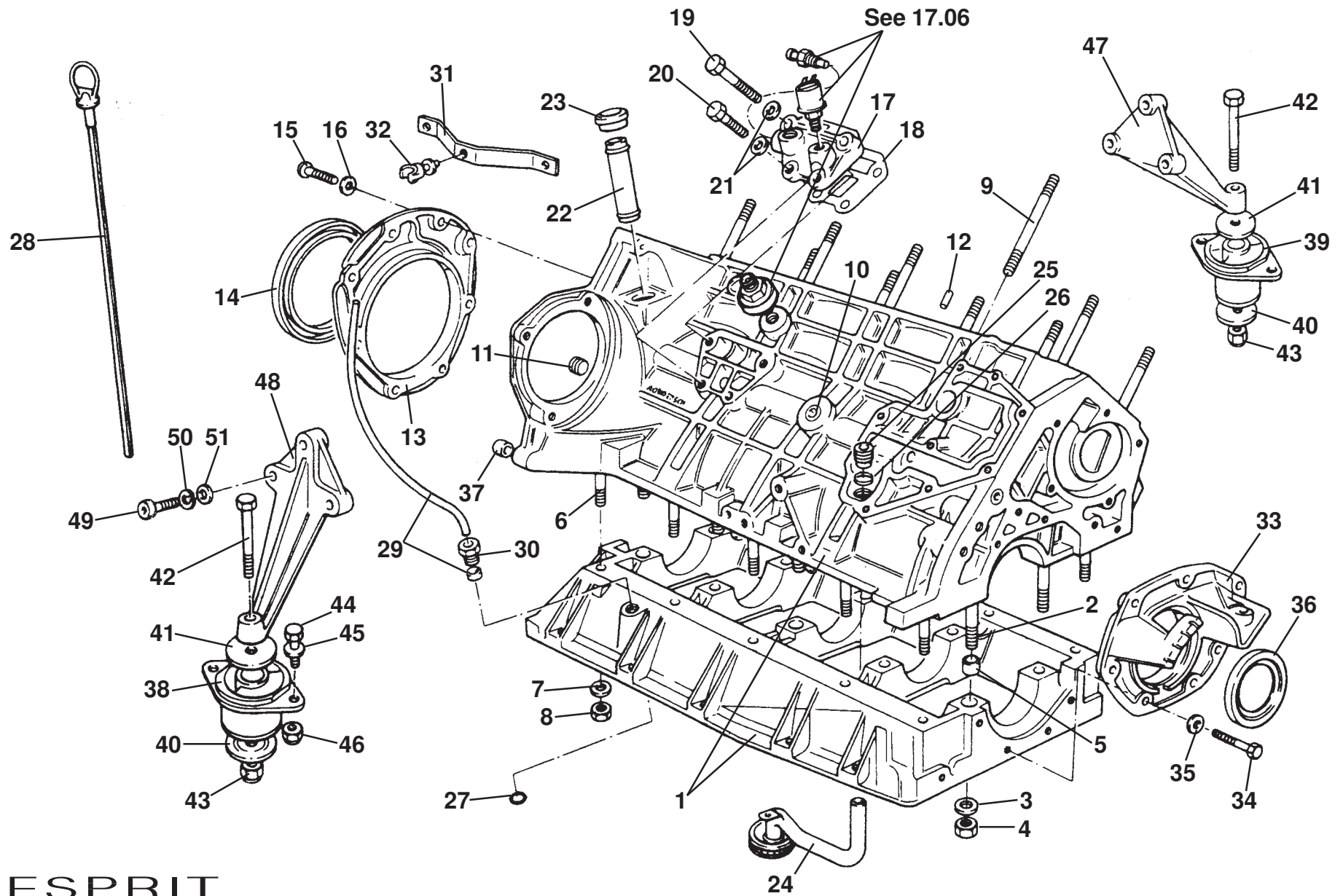
# Service Parts List



## Function Code 40.00a Engine Assemblies, GT3

<u>Dep</u>	<u>Part Description</u>	<u>Remarks</u>	<u>Option</u>	<u>Part Number</u>	<u>Qty</u>
01b	Engine Assembly, 4 cylinder	2 litre, 240 bhp	GT3	A910E2625J	1
01c	Engine Assembly, 4 cylinder	2.2 litre, 264 bhp	GT3, Australia only	A910E2626J	1





ESPRIT  
40.01



# Service Parts List



## Function Code 40.01 Engine Block & Oil Pick Up

<u>Dep</u>	<u>Part Description</u>	<u>Remarks</u>	<u>Option</u>	<u>Part Number</u>	<u>Qty</u>
01	Cylinder Block & Main Bearing Housing, 2.0 litre		Except Australia	A912E2617J	1
01a	Cylinder Block & Main Bearing Housing, 2.2 litre		Australia only	A910E2604J	1
01b	Permabond A905, surface conditioner	Main bearing housing to block		A912E6759V	As eq.
01c	Loctite 509	Main bearing housing to block		A920E6007V	As req.
02	Stud, M12, main bearing housing to block			A907E0225Z	10
03	Washer, flat, M12, main bearing housing to block			B910E2383F	10
04	Nut, M12, main bearing housing to block			A910E6903Z	10
05	Ring Dowel, main bearing housing to block			A911E0320F	10
06	Stud, M8, main bearing housing outer to block			B907E0226Z	10
07	Washer, flat, M8 x 16.6, M. B. housing outer to block			A075W4020Z	10
08	Nut, M8, main bearing housing outer to block			A075W3021Z	10
09	Stud, M12, cylinder head to block			B907E0224Z	10
10	Plug, 0.5"-14 NPTF, oil gallery centre			A912W7111Z	1
11	Plug, 0.25"-18 NPTF, oil gallery rear end			A912E7037Z	1
11a	Permabond A131, oil gallery plugs	Not illustrated		A912E7034V	As req.
12	Spirol Pin, oil feed to head			B907E6007Z	1
13	Housing, crankshaft rear oil seal			C907E0599Y	1
14	Oil Seal, crankshaft rear	Also see 40.02e		A912E2334F	1



**Function Code 40.01 Engine Block & Oil Pick Up**

<u>Dep</u>	<u>Part Description</u>	<u>Remarks</u>	<u>Option</u>	<u>Part Number</u>	<u>Qty</u>
14a	Permabond A905, rear oil seal housing sealing	Not illustrated		A912E6759V	As req.
14b	Permabond A136, rear oil seal housing sealing	Not illustrated		AA912E6421V	As req.
15	Screw, M6 x 25, button hd., seal housing to block			A075W7016Z	8
16	Washer, flat, M6 x 12.1 x 1.4, seal housing to block			A075W4013Z	8
17	Cover, oil gallery			B910E2540K	1
18	Gasket, cover to block			A907E0438Z	1
18a	Welseal, cover to block	Not illustrated		A907E6119Z	As req.
19	Bolt, M8 x 35, hex. hd., cover to block			A075W1041Z	2
20	Setscrew, M8 x 20, hex. hd., cover to block			A075W1038Z	2
21	Washer, flat, M8 x 16.6 x 1.4, cover to block			A075W4020Z	4
22	Spout, crankcase breather			B907E0626Z	1
22a	Permabond A131, crankcase breather spout			A912E7034V	As req.
23	Bush, breather spout to block			A907E0659Z	1
24	Pipe, oil pick-up			A907E0624Z	1
25	Union Nut, oil pick-up pipe to block			A907E0605Z	1
26	Olive, nylon, oil pick-up pipe to block			A907E0606Z	1
27	'O' Ring, dipstick tube			A910E1792F	1
28	Dipstick			A910E1792F	1
29	Dipstick Tube	Includes olive		A910E9038J	1
30	Tube Nut, tube to block			A911E6378F	1
30a	Permabond A131, tube nut to main bearing housing			A912E7034V	As req.



**Function Code 40.01 Engine Block & Oil Pick Up**

<u>Dep</u>	<u>Part Description</u>	<u>Remarks</u>	<u>Option</u>	<u>Part Number</u>	<u>Qty</u>
31	Bracket, dipstick tube to plenum			A910E1902F	1
32	Clip, dipstick tube to bracket			A910E6592F	1
33	Front Cover/Crankshaft Oil Seal Housing			A907E1230F	1
33a	Permabond A905, surface conditioner	Not illustrated		A912E6759V	As req.
33b	Permabond A136, sealant	Not illustrated		A912E6421V	As req.
34	Setscrew, M6 x 25, hex. hd., cover to block assy.			A075W1031Z	7
35	Washer, flat, M6 x 12.1 x 1.4, cover to block assy.			A075W4013Z	7
36	Oil Seal, crankshaft front	Also see 40.02e		B907E6010F	1
37	Dowel, engine to clutch housing			B907E6181F	2
38	Mounting Rubber, engine, RH, blue			B085E6008F	1
39	Mounting Rubber, engine, LH, pink			B085E6009F	1
40	Buffer Washer, engine mounting underside			B085E6010F	2
41	Buffer Washer, engine mounting topside			B085E6011F	2
42	Bolt, M12 x 100, engine mounting leg to rubber			A079W2072F	2
43	Nyloc Nut, M12, engine mounting leg to rubber			A075W3012Z	2
44	Setscrew, M8 x 20, hex. hd., mounting rubber to chassis			A075W1038Z	4
45	Washer, flat, M8 x 16.6 x 1.4, mounting rubber to chassis			A075W4020Z	4
46	Nyloc Nut, M8, mounting rubber to chassis			A075W3010Z	4
47	Mounting Leg, engine, LH			A082E4079K	1
48	Mounting Leg, engine, RH			A082E4078K	1
48a	Edge Finisher, mounting leg	Not illustrated		C082U4775F	40mm

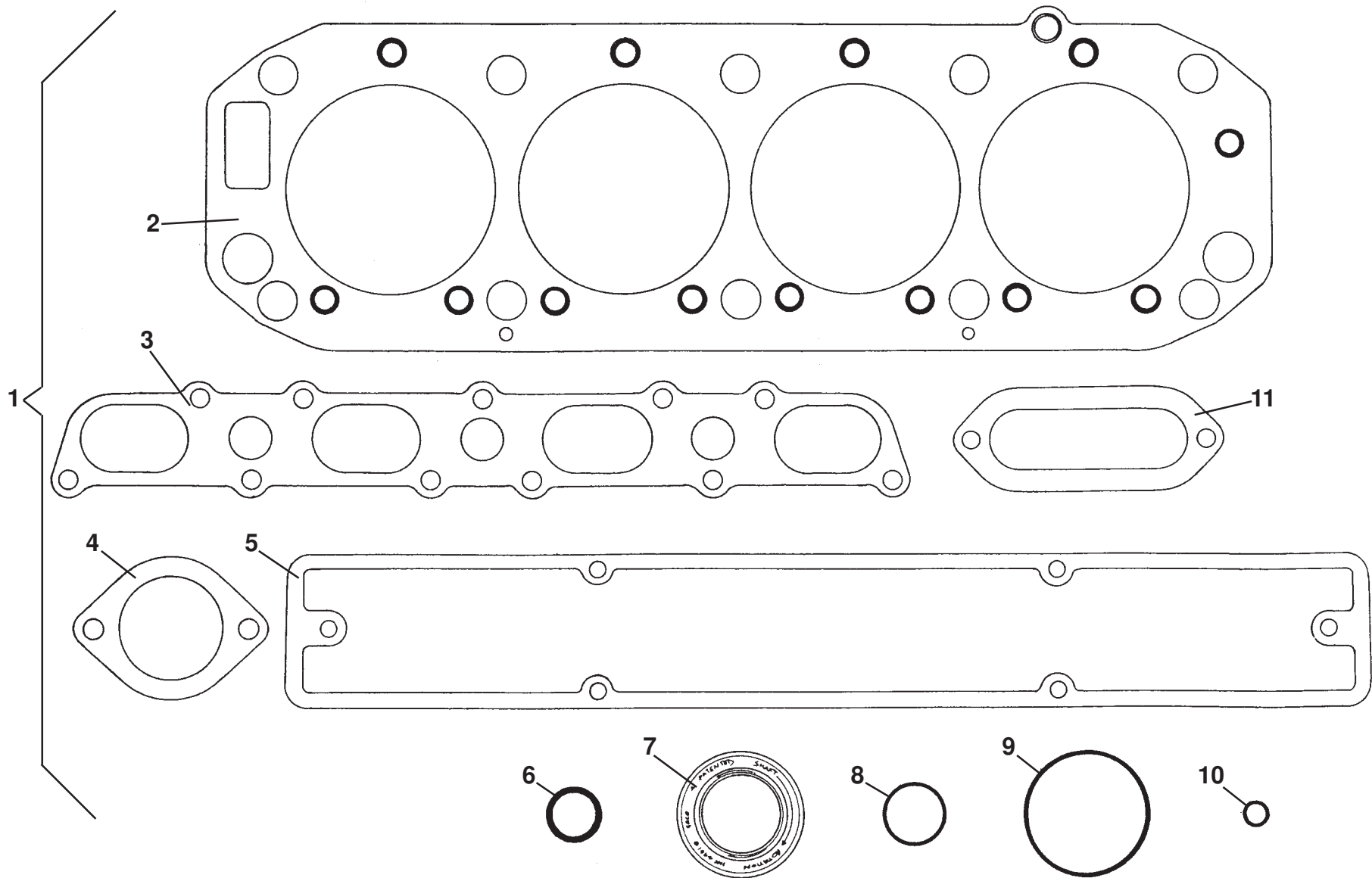


---

**Function Code 40.01 Engine Block & Oil Pick Up**

<u>Dep</u>	<u>Part Description</u>	<u>Remarks</u>	<u>Option</u>	<u>Part Number</u>	<u>Qty</u>
49	Setscrew, M8 x 35, cap hd., leg to engine			A082W7053F	6
49a	Permabond A130, threadlock	Not illustrated		A912E7033V	As req.
50	Washer, spring, M8, leg to engine			A075W4036Z	6
51	Washer, flat, M8 x 16.6 x 1.4, leg to engine			A075W4020Z	6





**ESPRIT**  
**40.02b**

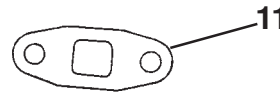
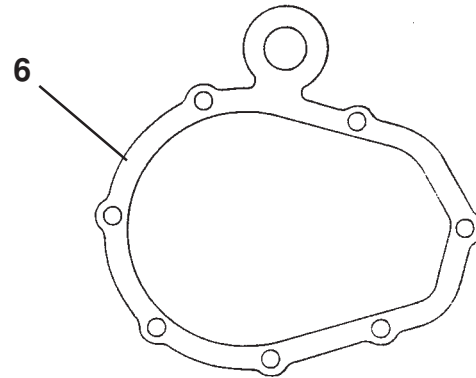
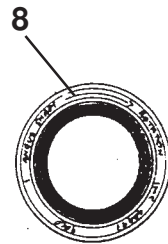
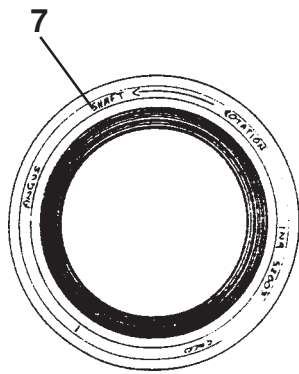
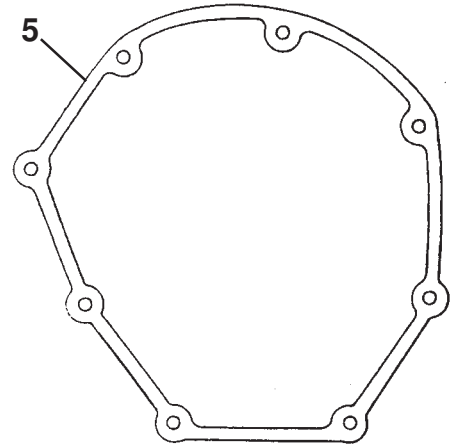
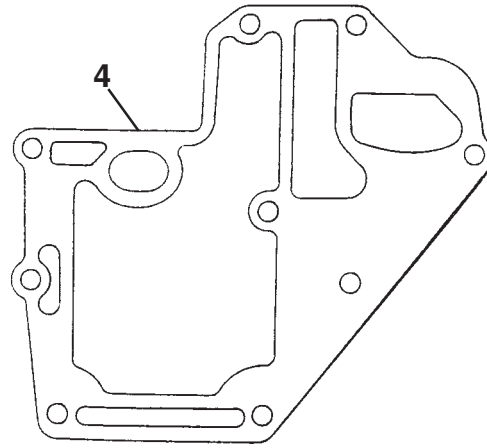
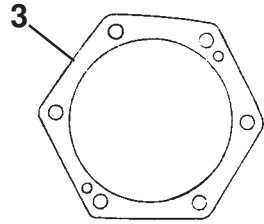
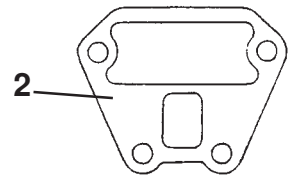
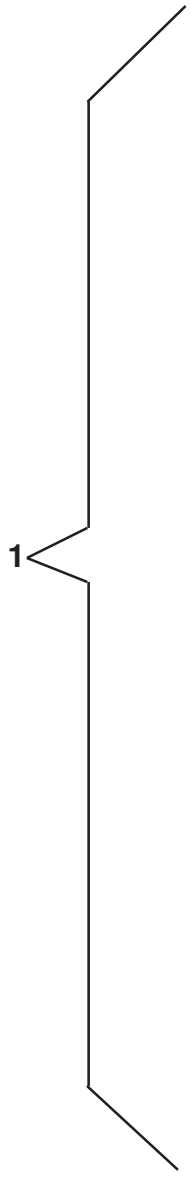
# Service Parts List



## Function Code 40.02b Gaskets & Sealants, Top Overhaul Set, GT3

<u>Dep</u>	<u>Part Description</u>	<u>Remarks</u>	<u>Option</u>	<u>Part Number</u>	<u>Qty</u>
01	Gasket Set, top overhaul	Comprises items 2 to 11		B910E9246W	1
02	Gasket, cylinder head			B912E7028Z	1
03	Gasket, inlet manifold			A912E2009F	1
04	Gasket, thermostat housing			A026E6102Z	1
05	Gasket, camshaft cover			A912E2040F	2
06	'O' Ring, camshaft cover screw			A912E6695F	6
07	Oil Seal, camshaft front			B907E6042Z	2
08	'O' Ring, camshaft rear cover			A907E6027Z	2
09	'O' Ring, camshaft housing access plug			A912E6694F	10
10	'O' Ring, camshaft housing oil feed			A907E6202Z	2
11	Gasket, diffuser/plenum			A910E1474F	1
12	Gasket, exhaust manifold	Not illustrated, see 40.21a		A910E2235F	4





**ESPRIT**  
**40.02c**

# Service Parts List

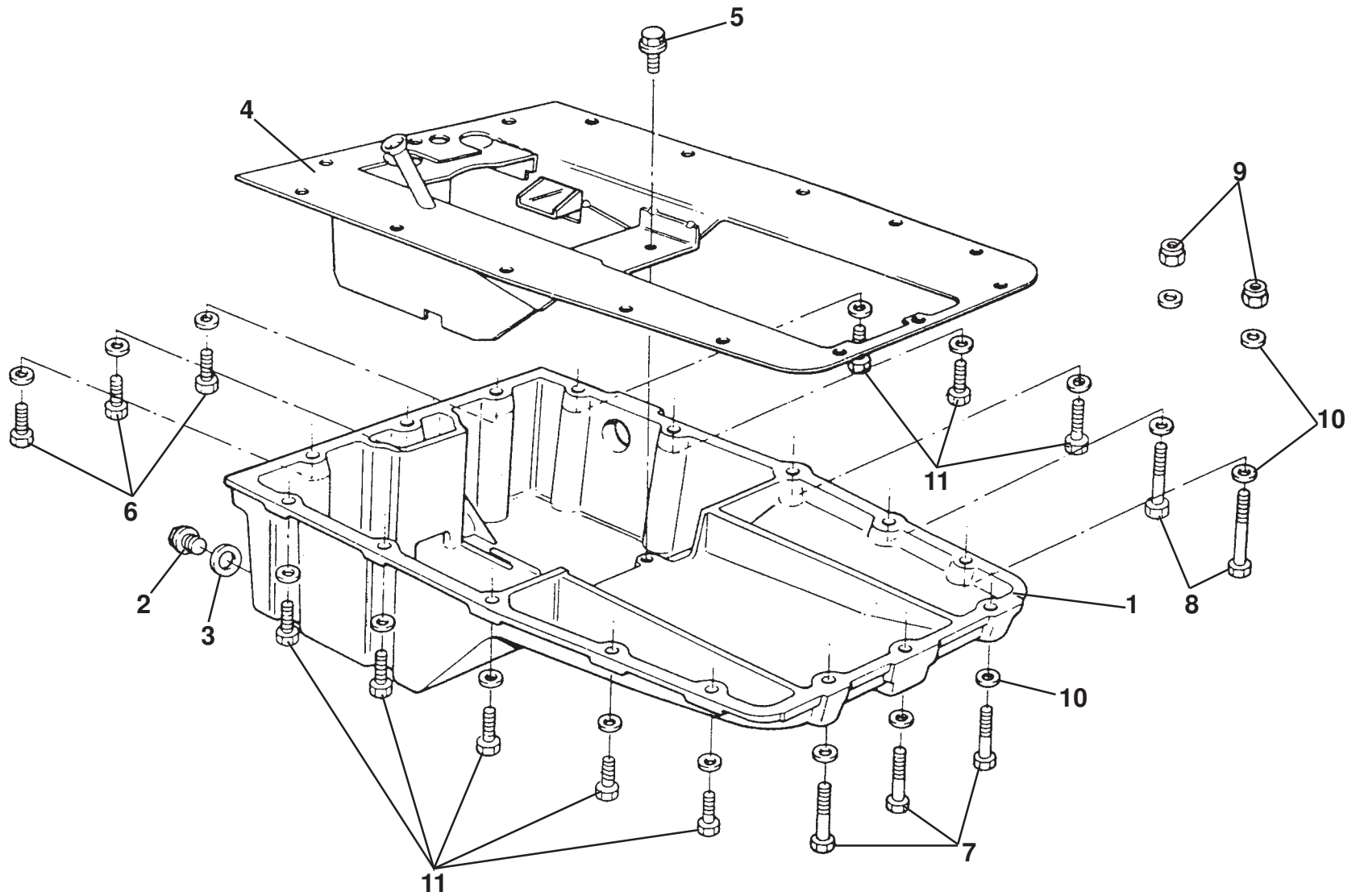


## Function Code 40.02c Gaskets & Sealants, Bottom Overhaul Set, GT3

<u>Dep</u>	<u>Part Description</u>	<u>Remarks</u>	<u>Option</u>	<u>Part Number</u>	<u>Qty</u>
01	Gasket Set, bottom overhaul	Comprises items 2 to 11		A910E0808W	1
02	Gasket, oil gallery cover			A907E0438Z	1
03	Gasket, oil pump			A907E0474Z	1
04	Gasket, auxiliary housing			C907E0442Z	1
05	Gasket, rear oil seal housing			A907E0671Z	1
06	Gasket, front cover			A907E0245Z	1
07	Oil Seal, crankshaft rear			A912E2334F	1
08	Oil Seal, crankshaft front			B907E6010Z	1
09	Olive, oil pick-up pipe			A907E0606Z	1
10	'O' Ring, turbo drain to sump			A910E6491F	1
11	Gasket, oil drain pipe to turbo			A910E6375F	1







ESPRIT  
40.03a

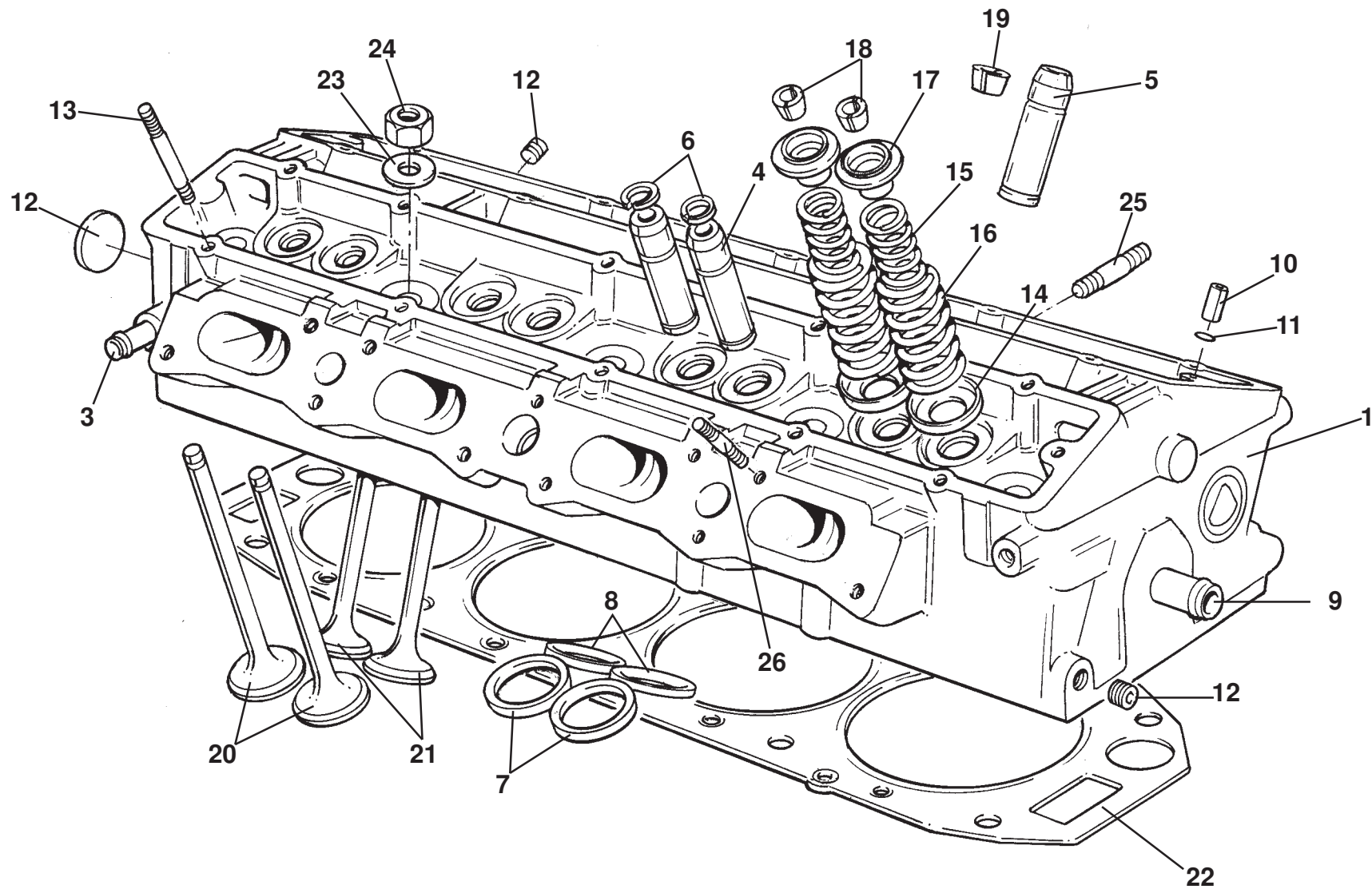
# Service Parts List



## Function Code 40.03a Sump Assembly, GT3

<u>Dep</u>	<u>Part Description</u>	<u>Remarks</u>	<u>Option</u>	<u>Part Number</u>	<u>Qty</u>
01	Oil Sump & Baffle Assembly			A910E9282S	1
01a	Permabond A905			A912E6759V	As eeq.
01b	Permabond A136			A912E6421V	As req.
02	Drain Plug, sump, socket head			A911E6343F	1
03	'O' Ring, sump drain plug			A912E6694F	1
04	Baffle, sump			C910E9216J	1
05	Screw, baffle to sump			A912E6399F	2
06	Bolt, M8 x 25, hex, hd., sump to bearing housing			A075W1039Z	3
07	Bolt, M8 x 45, hex, hd., sump to bearing housing			A075W2040Z	3
08	Bolt, M8 x 55, hex, hd., sump to bearing housing			A075W2042Z	2
09	Nyloc Nut, M8, hex, hd., sump to bearing housing			A075W3010Z	2
10	Washer, flat, M8 x 16.6 x 1.4, sump to bearing housing			A075W4020Z	18
11	Bolt, M8 x 30, hex, hd., sump to bearing housing			A075W1040Z	8





ESPRIT  
40.05a

# Service Parts List



## Function Code 40.05a Cylinder Head , Valves, Springs, GT3

<u>Dep</u>	<u>Part Description</u>	<u>Remarks</u>	<u>Option</u>	<u>Part Number</u>	<u>Qty</u>
01	Cylinder Head Assembly	Includes valve guides, seats & coolant pipes		A910E9057J	1
02	Core Plug, small			A907E6038Z	7
03	Pipe, heater take-off			A907E0486Z	1
03a	Permabond A134, pipe to cylinder head			A100B6155V	As req.
04	Guide, inlet valve, o/d standard			F907E0315Y	8
04a	Guide, inlet valve, o/d + 0.001"			G907E0315Y	As req.
04b	Guide, inlet valve, o/d + 0.002"			H907E0315Y	As req.
04c	Guide, inlet valve, o/d + 0.005"			I907E0315Y	As req.
05	Guide, exhaust valve, o/d standard			A910E0315Y	8
05a	Guide, exhaust valve, o/d + 0.001"			B910E0315Y	As req.
05b	Guide, exhaust valve, o/d + 0.002"			C910E0315Y	As req.
05c	Guide, exhaust valve, o/d + 0.005"			D910E0315Y	As req.
06	Circlip, valve guide to head			A907E6037Z	16
07	Seat Insert, inlet valve, o/d standard			C912E2010F	8
07a	Seat Insert, inlet valve, o/d + 0.001"			C912E2011F	As req.
07b	Seat Insert, inlet valve, o/d + 0.002"			C912E2012F	As req.
07c	Seat Insert, inlet valve, o/d + 0.005"			C912E2013F	As req.
08	Seat Insert, exhaust valve, o/d standard			A912E2608F	8



**Function Code 40.05a Cylinder Head , Valves, Springs, GT3**

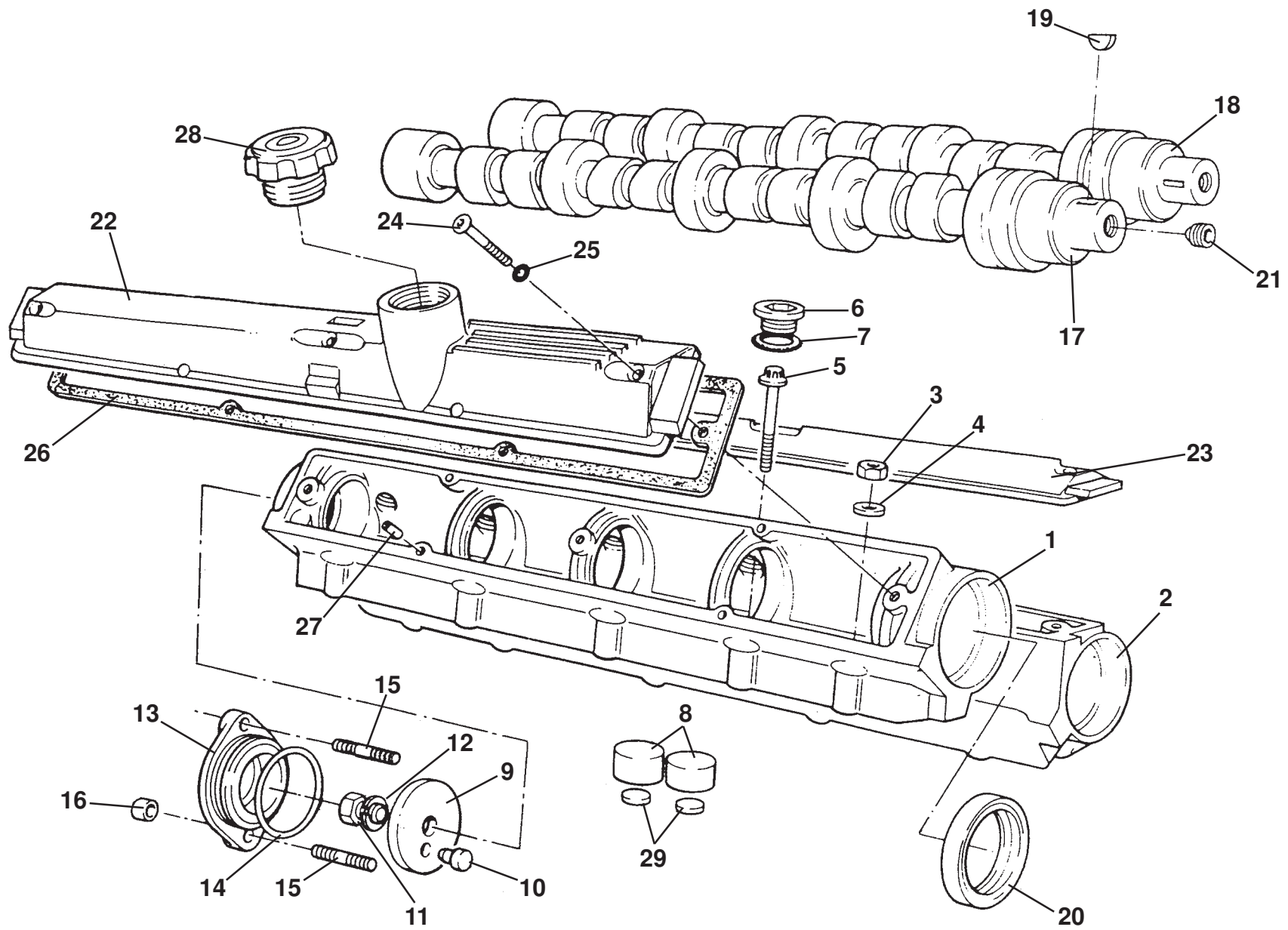
<u>Dep</u>	<u>Part Description</u>	<u>Remarks</u>	<u>Option</u>	<u>Part Number</u>	<u>Qty</u>
08a	Seat Insert, exhaust valve, o/d			A912E2609F	As req.
08b	Seat Insert, exhaust valve, o/d			A912E2610F	As req.
08c	Seat Insert, exhaust valve, o/d			A912E2611F	As req.
09	Adaptor, coolant outlet			A907E0486Z	1
10	Roll Pin, head to cam housing oil feed			A075W6097Z	2
11	'O' Ring, head to cam housing oil feed			A907E6202Z	2
12	Blanking Plug, 1/8" BSP, oilways & exhaust ports			A907E6023Z	7
12a	Permabond A134, oilway plug sealing			A100B6155V	As req.
12b	Permabond A025, sample plug sealing			A912E6800V	As req.
13	Stud, M8, cam housing to head			A911E0227Z	As req.
14	Seat, valve spring			A907E0316Z	16
15	Valve Spring, inner			A910E2431F	16
16	Valve Spring, outer			A910E2432F	16
17	Retainer, valve spring			A910E2430F	16
18	Collet, inlet valve			A907E6040Z	8
19	Collet, exhaust valve			A910E6377F	8
20	Valve, inlet			A912E0019F	8
21	Valve, exhaust			B910E1383F	8
22	Gasket, cylinder head, reinforced fibre composite	Also see 40.02b		B912E7029Z	1
23	Washer, flat, M12, head to block			B910E2383Z	10
24	Nut, M12, head to block			A910E6903Z	10



---

**Function Code 40.05a Cylinder Head , Valves, Springs, GT3**

<u>Dep</u>	<u>Part Description</u>	<u>Remarks</u>	<u>Option</u>	<u>Part Number</u>	<u>Qty</u>
25	Stud, M8 x 45, exhaust manifold to head			A910E2550F	12
25a	Permabond A025, exhaust manifold studs			A912E6800V	As req.
26	Stud, M8, inlet manifold to head			A912E2022F	5



ESPRIT  
40.07b

# Service Parts List



## Function Code 40.07b Camshafts, Tappets, Cam Cover, GT3

<u>Dep</u>	<u>Part Description</u>	<u>Remarks</u>	<u>Option</u>	<u>Part Number</u>	<u>Qty</u>
01	Camshaft Housing, inlet			A920E0016K	1
02	Camshaft Housing, exhaust			A920E0015K	1
03	Nut, M8, cam housing to head			A075W3021Z	4
04	Washer, flat, M8 x 16.6 x 1.4, cam housing to head			A075W4020Z	4
05	Torx Bolt, flg hd., cam housing to head			B911E1311F	16
06	Blanking Plug, torx bolt access			A911E6343F	10
07	'O' Ring, plug to cam housing			A912E6694F	10
08	Tappet			B920E0017Z	16
09	Thrust Washer, camshaft endfloat, 0.173-0.175"		2 off, selective	A907E0619Z	As req.
09a	Thrust Washer, camshaft endfloat, 0.175-0.177"			A907E0620Z	As req.
09b	Thrust Washer, camshaft endfloat, 0.177-0.179"			A907E0621Z	As req.
09c	Thrust Washer, camshaft endfloat, 0.179-0.181"			A907E0622Z	As req.
10	Dowel, thrust washer to camshaft			A907E0476Z	2
11	Setscrew, M10 x 20, hex. hd., thrust washer to camshaft			A075W1046Z	2
12	Washer, spring, M10, thrust washer to camshaft			A075W4037Z	2
13	Rear Cover, camshaft housing			A907E0090Z	2
14	'O' Ring, cover to housing	Also see 40.02b		A907E6027Z	2
15	Stud, cover & heatshield fix.			A912E2043F	4





---

**Function Code 40.07b Camshafts, Tappets, Cam Cover, GT3**

<u>Dep</u>	<u>Part Description</u>	<u>Remarks</u>	<u>Option</u>	<u>Part Number</u>	<u>Qty</u>
16	Spacer, cover to heatshield	Also see 45.05a		A907E0696Z	4
17	Camshaft, inlet			A912E0107F	1
18	Camshaft, exhaust			A912E0107F	1
19	Woodruff Key, camshaft to drive pulley			A907E6025Z	2
20	Oil Seal, camshaft front	Also see 40.02b		B907E6042F	2
21	Blanking Plug, camshaft front			A907E6069F	2
22	Cam Cover, inlet			A910E2481K	1
23	Cam cover, exhaust			A910E2278K	1
24	Screw, cam cover to cam housing			B912E2037F	6
25	'O' Ring, cam cover fixing screws			A912E6695F	6
26	Gasket, cam cover to housing	Also see 40.02b		A912E2040F	2
27	Spirol Pin, 6 x 14mm, gasket locating			B089W6249F	8
28	Oil Filler Cap, ratchet type			A912E6965F	1
29	Shim, tappet, 0.060-0.150".	Selective: Tappet Shim chart on following page (40.07b, page 3)			16

---



Function Code 40.07b Camshafts, Tappets, Cam Cover, GT3

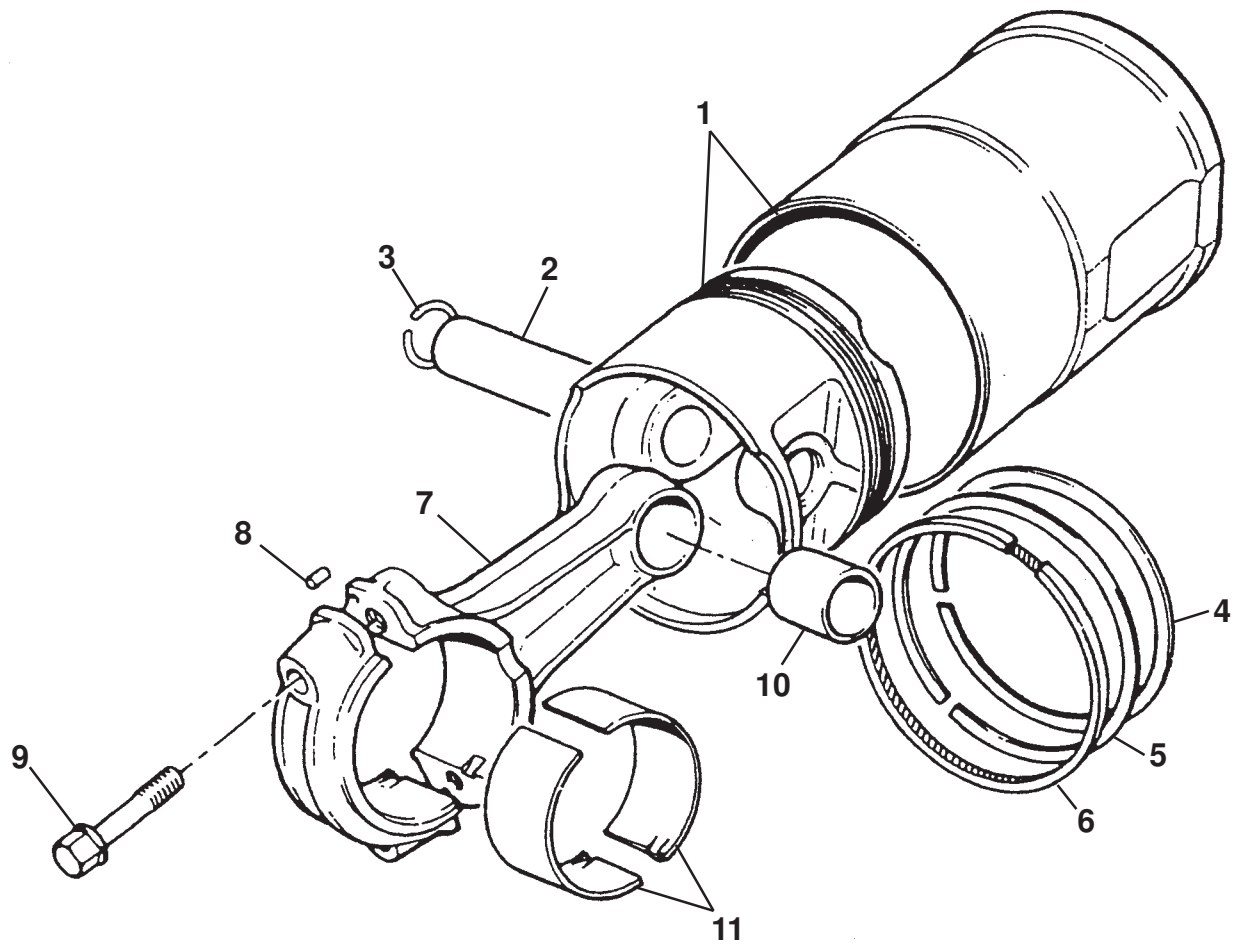
Dep Part Description Remarks Option Part Number Qty

Item: 29

TAPPET SHIM CHART

Shim Thickness (inches)	Part Number	Shim Thickness (inches)	Part Number	Shim Thickness (inches)	Part Number	Shim Thickness (inches)	Part Number
0.060"	A026E6160Z	0.083"	A026E6183Z	0.106"	A026E6206Z	0.129"	A026E6229Z
0.061"	A026E6161Z	0.084"	A026E6184Z	0.107"	A026E6207Z	0.130"	A026E6230Z
0.062"	A026E6162Z	0.085"	A026E6185Z	0.108"	A026E6208Z	0.131"	A026E6231Z
0.063"	A026E6163Z	0.086"	A026E6186Z	0.109"	A026E6209Z	0.132"	A026E6232Z
0.064"	A026E6164Z	0.087"	A026E6187Z	0.110"	A026E6210Z	0.133"	A026E6233Z
0.065"	A026E6165Z	0.088"	A026E6188Z	0.111"	A026E6211Z	0.134"	A026E6234Z
0.066"	A026E6166Z	0.089"	A026E6189Z	0.112"	A026E6212Z	0.135"	A026E6235Z
0.067"	A026E6167Z	0.090"	A026E6190Z	0.113"	A026E6213Z	0.136"	A026E6236Z
0.068"	A026E6168Z	0.091"	A026E6191Z	0.114"	A026E6214Z	0.137"	A026E6237Z
0.069"	A026E6169Z	0.092"	A026E6192Z	0.115"	A026E6215Z	0.138"	A026E6238Z
0.070"	A026E6170Z	0.093"	A026E6193Z	0.116"	A026E6216Z	0.139"	A026E6239Z
0.071"	A026E6171Z	0.094"	A026E6194Z	0.117"	A026E6217Z	0.140"	A026E6240Z
0.072"	A026E6172Z	0.095"	A026E6195Z	0.118"	A026E6218Z	0.141"	A026E6241Z
0.073"	A026E6173Z	0.096"	A026E6196Z	0.119"	A026E6219Z	0.142"	A026E6242Z
0.074"	A026E6174Z	0.097"	A026E6197Z	0.120"	A026E6220Z	0.143"	A026E6243Z
0.075"	A026E6175Z	0.098"	A026E6198Z	0.121"	A026E6221Z	0.144"	A026E6244Z
0.076"	A026E6176Z	0.099"	A026E6199Z	0.122"	A026E6222Z	0.145"	A026E6245Z
0.077"	A026E6177Z	0.100"	A026E6200Z	0.123"	A026E6223Z	0.146"	A026E6246Z
0.078"	A026E6178Z	0.101"	A026E6201Z	0.124"	A026E6224Z	0.147"	A026E6247Z
0.079"	A026E6179Z	0.102"	A026E6202Z	0.125"	A026E6225Z	0.148"	A026E6248Z
0.080"	A026E6180Z	0.103"	A026E6203Z	0.126"	A026E6226Z	0.149"	A026E6249Z
0.081"	A026E6181Z	0.104"	A026E6204Z	0.127"	A026E6227Z	0.150"	A026E6250Z
0.082"	A026E6182Z	0.105"	A026E6205Z	0.128"	A026E6228Z		





**ESPRIT**  
**40.09a**

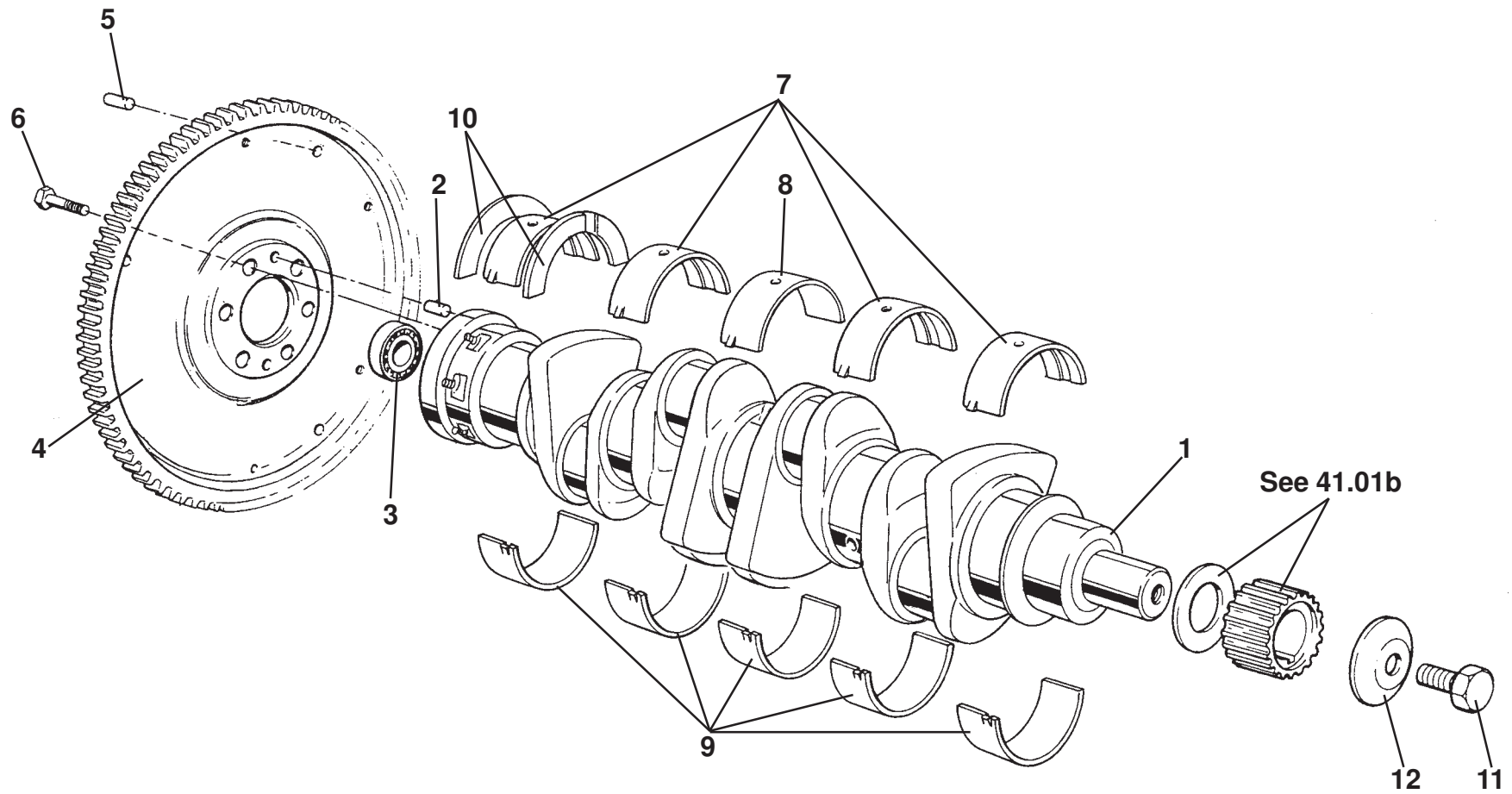
# Service Parts List



## Function Code 40.09a Pistons, Con-rods, Liners, GT3

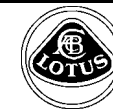
<u>Dep</u>	<u>Part Description</u>	<u>Remarks</u>	<u>Option</u>	<u>Part Number</u>	<u>Qty</u>
01	Piston & Liner Assembly, with rings, gudgeon pin, 2.0 litre	Unless ordering complete set, quote piston weight grade stamped on crown (eg +2)	Except Australia	A920E0019F	4
01a	Piston & Liner Assembly, with rings, gudgeon pin, 2.2 litre	As above	Australia only	A910E9269F	4
01b	Permabond A905 Surface Conditioner, liner to block	Not illustrated		A912E6759V	As req.
01c	Loctite 572 Sealant, liner to block	Obsolete, See S/B 2000/12		A912E7030V	As req.
02	Gudgeon Pin, profiled			A910E2555H	4
03	Circlip, gudgeon pin retention			A910E6781F	8
04	Compression Ring, top, chrome plated			A910E2193F	4
05	Compression Ring, second			A910E2194F	4
06	Oil Control Ring			A910E2195F	4
07	Connecting Rod, with bolts, dowels & bush	Unless ordering complete set, quote weight grade letter painted on front of rod		B910E0714F	4
08	Dowel, cap to rod			A907E0339Z	8
09	Bolt, cap to rod			A907E0344Z	8
10	Bush, connecting rod small end			A907E0357Z	4
11	Bearing Shell, rod to crank, standard			A907E0342Z	4
11a	Bearing Shell, rod to crank, -0.10"			A907E0540Z	As req.
11b	Bearing Shell, rod to crank, -0.20"			A907E0541Z	As req.





**ESPRIT**  
**40.11a**

# Service Parts List



## Function Code 40.11a Crankshaft, Bearings, Flywheel, GT3

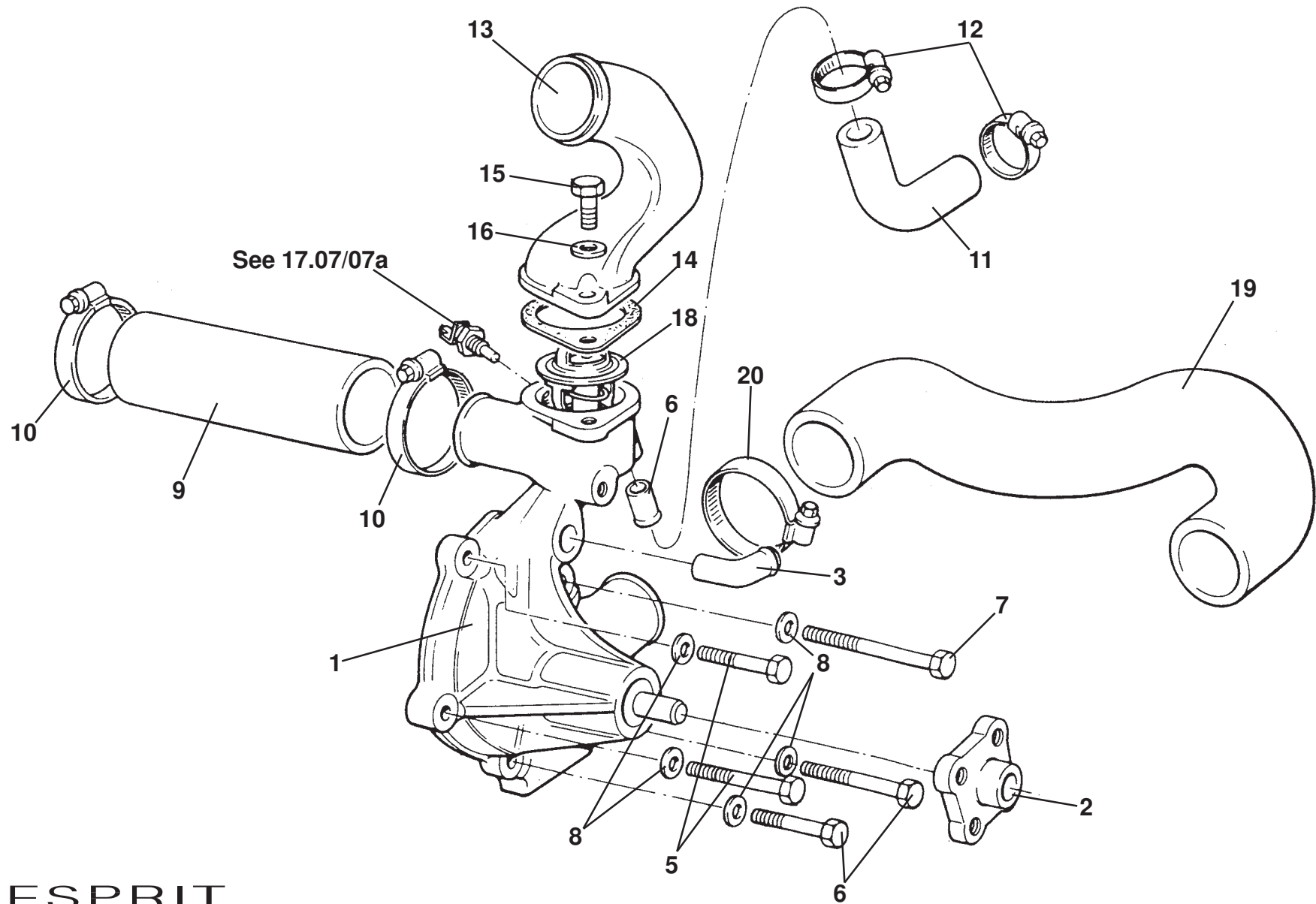
<u>Dep</u>	<u>Part Description</u>	<u>Remarks</u>	<u>Option</u>	<u>Part Number</u>	<u>Qty</u>
01	Crankshaft & Dowels, 2.0 litre		Except Australia	A920E0018J	1
01a	Crankshaft & Dowels, 2.2 litre		Australia only	A910E2378J	1
02	Dowel, crankshaft to flywheel			A907E6015F	2
03	Spigot Bearing, ball, bearing to crankshaft			A912E6862F	1
03a	Permabond A134	Not illustrated		A100B6155V	As req.
04	Flywheel, integral ring gear			B910E2417F	1
05	Dowel, clutch cover to flywheel			A082F4118F	3
06	Bolt, flywheel to crankshaft			A907E6020Z	6
06a	Permabond A134, flywheel bolts	Not illustrated		A100B6155V	4
07	Shell, main bearing, standard i/d, standard o/d	Grooved with hole	Upper, except centre	A907E0336Z	As req.
07a	Shell, main bearing, + 0.010" i/d, standard o/d	Grooved with hole	Upper, except centre	A907E0538Z	As req.
07b	Shell, main bearing, + 0.020" i/d, standard o/d	Grooved with hole	Upper, except centre	A907E0539Z	As req.
07c	Shell, main bearing, standard i/d, + 0.015" o/d	Grooved with hole	Upper, except centre	A907E0675Z	As req.
07d	Shell, main bearing, - 0.010" i/d, + 0.015" o/d	Grooved with hole	Upper, except centre	B907E0675Z	As req.
07e	Shell, main bearing, - 0.020" i/d, + 0.015" o/d	Grooved with hole	Upper, except centre	C907E0675Z	As req.
08	Shell, main bearing, standard i/d, standard o/d	Plain with hole	Upper centre	A911E1315F	1
08a	Shell, main bearing, + 0.010" i/d, standard o/d	Plain with hole	Upper centre	A911E1317F	As req.
08b	Shell, main bearing, + 0.020" i/d, standard o/d	Plain with hole	Upper centre	A911E1318F	As req.



**Function Code 40.11a Crankshaft, Bearings, Flywheel, GT3**

<u>Dep</u>	<u>Part Description</u>	<u>Remarks</u>	<u>Option</u>	<u>Part Number</u>	<u>Qty</u>
08c	Shell, main bearing, standard i/d, + 0.015" o/d	Plain with hole	Upper centre	<b>A911E1316F</b>	As req.
08d	Shell, main bearing, - 0.010" i/d, + 0.015" o/d	Plain with hole	Upper centre	<b>B911E1316F</b>	As req.
08e	Shell, main bearing, - 0.020" i/d, + 0.015" o/d	Plain with hole	Upper centre	<b>C911E1316F</b>	As req.
09	Shell, main bearing, standard i/d, standard o/d	Plain	Lower	<b>A907E1170F</b>	5
09a	Shell, main bearing, + 0.010" i/d, standard o/d	Plain	Lower	<b>A907E1172F</b>	As req.
09b	Shell, main bearing, + 0.020" i/d, standard o/d	Plain	Lower	<b>A907E1173F</b>	As req.
09c	Shell, main bearing, standard i/d, + 0.015" o/d	Plain	Lower	<b>A907E1171F</b>	As req.
09d	Shell, main bearing, - 0.010" i/d, + 0.015" o/d	Plain	Lower	<b>B907E1171F</b>	As req.
09e	Shell, main bearing, - 0.020" i/d, + 0.015" o/d	Plain	Lower	<b>C907E1171F</b>	As req.
10	Trust Washer, crankshaft. standard			<b>A907E1000Z</b>	2
10a	Trust Washer, crankshaft. + 0.025"			<b>A907E1001Z</b>	As req.
10b	Trust Washer, crankshaft. + 0.050"			<b>A907E1002Z</b>	As req.
10c	Trust Washer, crankshaft. + 0.075"			<b>A907E1003Z</b>	As req.
10e	Trust Washer, crankshaft. + 0.100"			<b>A907E1004Z</b>	As req.
11	Setscrew, 0.5" x 1.5" UNF, hex. hd., pulley to crankshaft			<b>A075W1020Z</b>	1
12	Washer, conical, pulley to crankshaft			<b>B907E1106F</b>	1





**ESPRIT**  
**40.13a**



# Service Parts List



## Function Code 40.13a Water Pump Assembly, Thermostat, GT3

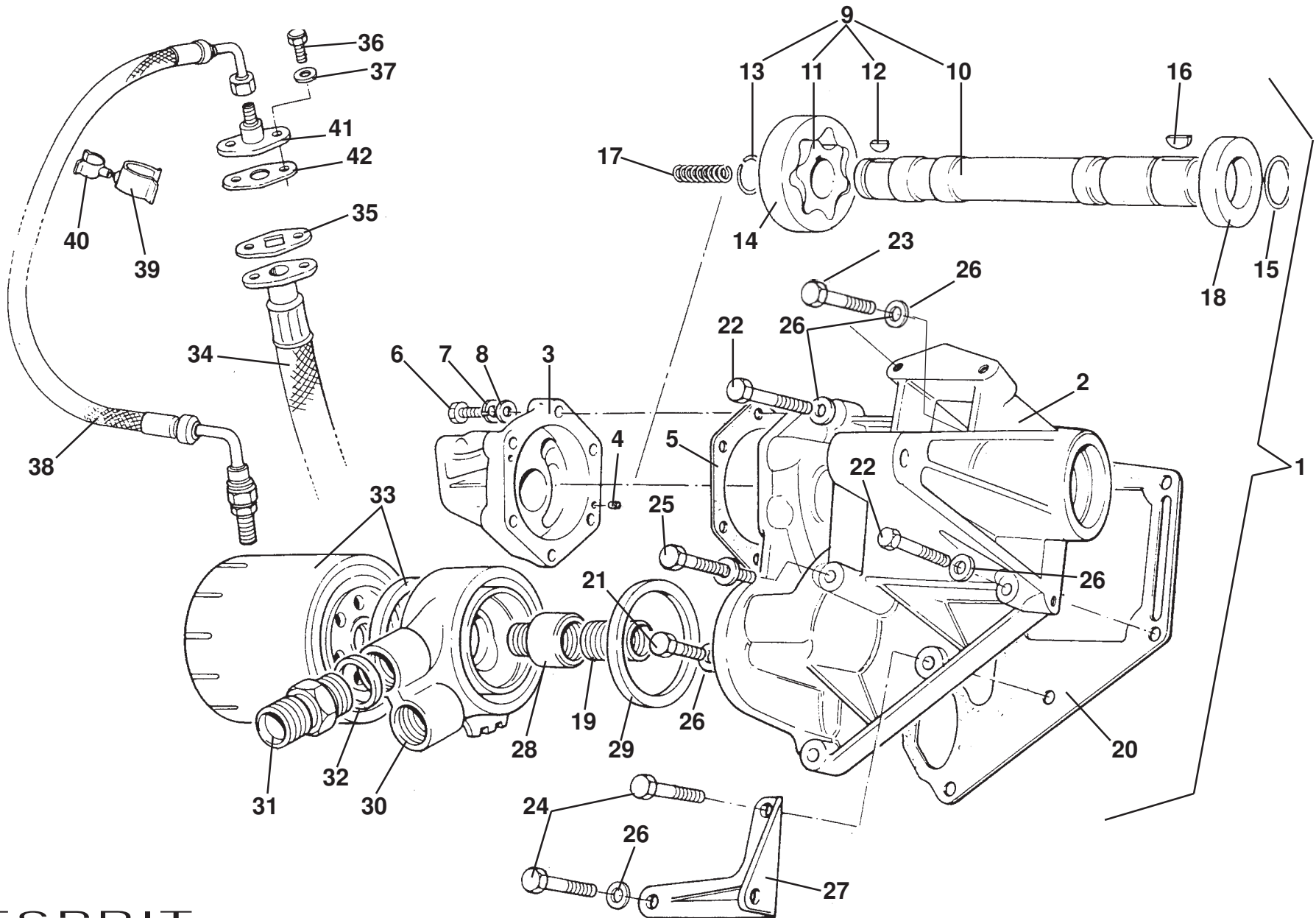
<u>Dep</u>	<u>Part Description</u>	<u>Remarks</u>	<u>Option</u>	<u>Part Number</u>	<u>Qty</u>
01	Water Pump Assembly	Includes hud & stub pipes		A912E9277J	1
01a	Permabond A905 Surface Conditioner, pump to block	Not illustrated		A912E6759V	As req.
01b	Loctite 509, pump to block	Not illustrated		A920E6007V	As req.
02	Hub, water pump pulley			A910E7018F	1
03	Elbow Pipe, heater return			A911E1431F	1
04	Stub Pipe, inlet from head front			A910E1909F	1
04a	Permabond A131, pipes to pump	Not illustrated		A912E7034V	As req.
05	Bolt, M6 x 30, hex. hd., pump to block			A075W2028Z	2
06	Bolt, M6 x 40, hex. hd., pump to block			A075W2030Z	2
07	Bolt, M6 x 55, hex. hd., pump to block			A075W2034Z	1
08	Washer, flat, M6 x 12, pump to block			A075W2013Z	5
09	Hose, inlet manifold to pump			A912E2017F	1
10	Hose Clip, 32-50,			A079K6019F	2
11	Elbow Hose, head to thermostat housing			A912E1837F	1
12	Hose Clip, elbow hose fix.			A079K6018F	2
13	Thermostat Cover Outlet Elbow			B912E1829K	1
14	Gasket, thermostat cover			A026E6102Z	1
15	Setscrew, M8 x 25, hex, hd., thermostat cover to housing			A075W1039Z	2



---

**Function Code 40.13a Water Pump Assembly, Thermostat, GT3**

<u>Dep</u>	<u>Part Description</u>	<u>Remarks</u>	<u>Option</u>	<u>Part Number</u>	<u>Qty</u>
16	Washer, flat, M8 x 16.6 x 1.4, thermostat cover to housing			A075W4020Z	2
17	Thermostat, 82 deg. C			A907E6046Z	1
18	Hose, pump inlet			A082K4190F	1
19	Hose Clip, hose to pump			A075K6014F	1



**ESPRIT**  
**40.15a**

*Updated 1st November 2013*

# Service Parts List



## Function Code 40.15a Lubrication System, GT3

<u>Dep</u>	<u>Part Description</u>	<u>Remarks</u>	<u>Option</u>	<u>Part Number</u>	<u>Qty</u>
01	Auxiliary Housing & Oil Pump Assembly	Comprising items 2 to 19		A910E2596F	1
02	Auxiliary Housing			A910E2591H	1
03	Oil Pump Housing Assembly			E907E0803W	1
04	Dowel, pump body to auxiliary housing			A907E0530F	2
05	Gasket, pump body to auxiliary housing			A907E0474Z	1
06	Bolt. M6 x 30, hex. hd., pump body to auxiliary housing			A075W2028Z	6
07	Washer, spring, M6, pump body to auxiliary housing			A075W4035Z	6
08	Washer, flat, M6, pump body to auxiliary housing			A075W4013Z	6
09	Auxiliary Shaft & Rotor Assembly	Comprising items 10 to 13	See items 11 &14	B907E0785F	1
10	Auxiliary Shaft			B907E0291H	1
11	Rotor, oil pump		A907E0472F R/B	A910E2659S	1
12	Woodruff Key, oil pump rotor			A907E6001Z	1
13	Circlip, rotor to shaft			A907E6101F	1
14	Annulus, oil pump		A907E0473Y R/B	A910E2659S	1
15	Circlip, pulley abutment			A907E6067Z	1
16	Woodruff Key, auxiliary shaft pulley			A907E6025Z	1
17	Spring, oil pump/chargecooler pump			B907E0135Z	1
18	Oil Seal. auxiliary shaft front			A907E6064Z	1



**Function Code 40.15a Lubrication System, GT3**

<u>Dep</u>	<u>Part Description</u>	<u>Remarks</u>	<u>Option</u>	<u>Part Number</u>	<u>Qty</u>
19	Adaptor Union, oil filter			A907E0249Z	1
19a	Permabond A134	Not illustrated		A100B6155V	As req.
20	Gasket,auxiliary housing to block			D907E0442Z	1
20a	Wellseal, auxiliary housing to block	Not illustrated		A907E6119Z	As req.
21	Setscrew, M8 x 25, hex. hd.,auxiliary housing to block			A075W1039Z	2
22	Bolt, M8 x 60, hex. hd.,auxiliary housing to block			A075W2043Z	3
23	Bolt, M8 x 40, hex. hd.,auxiliary housing to block			A075W2039D	1
24	Bolt, M8 x 45, hex. hd.,auxiliary housing to block			A075W2040Z	2
25	Bolt, M8 x 90, hex. hd.,auxiliary housing to block			A075W2048Z	1
26	Washer, flat, M8, auxiliary housing to block			A075W4020Z	9
27	Bracket, AC compressor, rear		AC cars	C912E1379F	1
28	Extension Union, oil filter			B907E0571F	1
29	Sealing Ring, oil cooler adaptor to housing			A907E6167F	1
30	Adaptor (sandwich plate), oil filter			A907E1248K	1
31	Union, oil cooler hoses to adaptor			A907E6300F	2
31a	Permabond A134, union to adaptor	Not illustrated		A100B6155V	As req.
32	Washer, union to adaptor			B907E6301F	2
33	Oil Filter	Includes sealing ring		C907E6000W	1
34	Pipe, oil drain, turbo to pump			D910E0990J	1
34a	'O' Ring, pipe to sump	Not illustrated		A910E6491F	1
34b	Setscrew, M6 x16, hex, hd., pipe to sump	Not illustrated		A075W1028Z	2

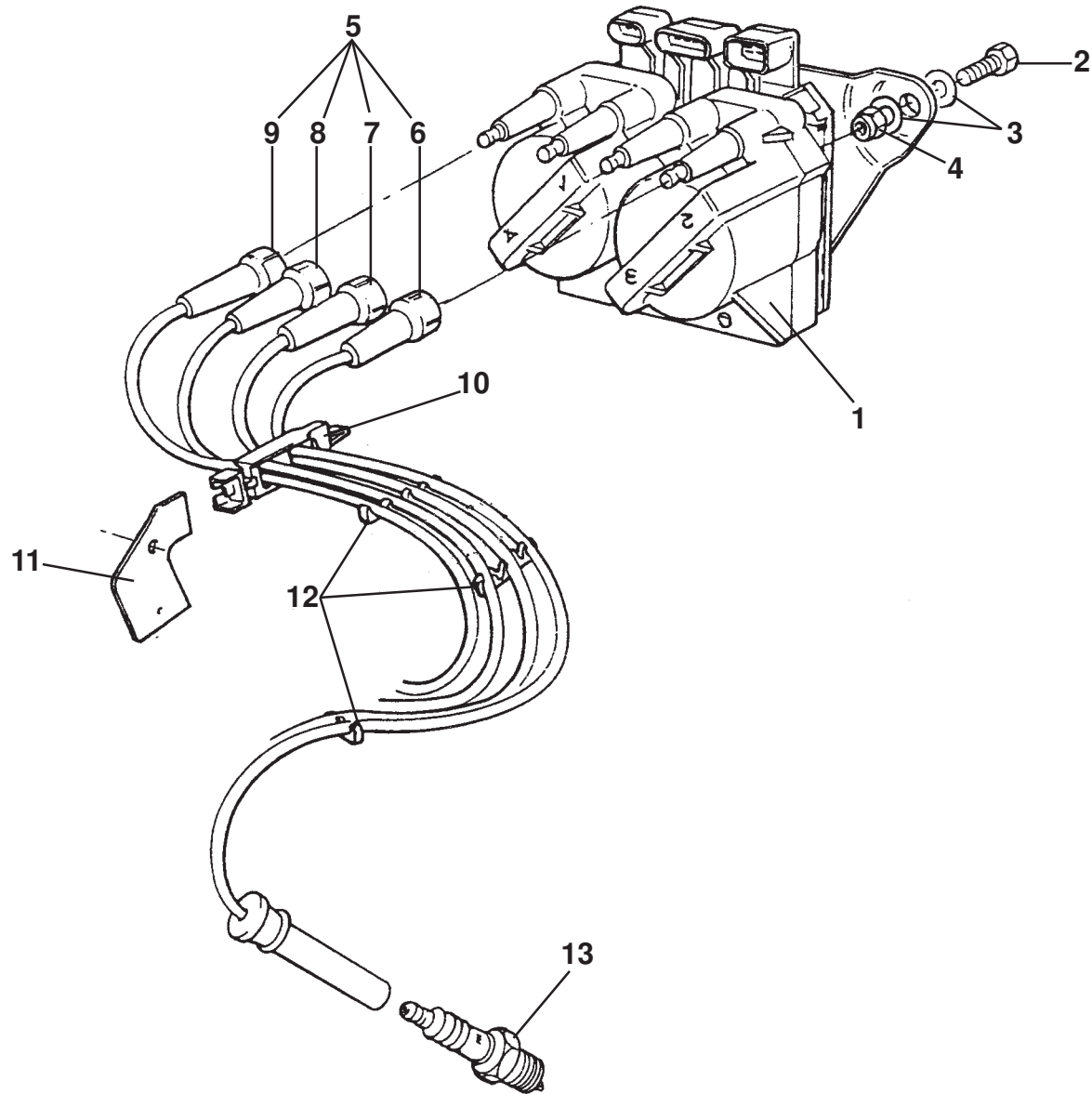


---

**Function Code 40.15a Lubrication System, GT3**

<u>Dep</u>	<u>Part Description</u>	<u>Remarks</u>	<u>Option</u>	<u>Part Number</u>	<u>Qty</u>
34c	Washer, flat, M6, pipe to sump	Not illustrated		A075W4013Z	2
35	Gasket, drain pipe to turbo			A910E6375H	1
36	Setscrew, M8 x 20, drain/feed to turbo			A075W1038Z	4
37	Washer, flat, M8, drain/feed to turbo			A075W4020Z	4
38	Hose, turbocharger oil feed			B910E2216F	1
38a	Permabond A131, oil feed hose to gallery cover	Not illustrated		A912E7034V	As req.
39	Swivel Clip, coolant hose to oil feed hose			A082W6331F	1
40	Swivel Clip, oil feed hose to coolant hose			A089W6296F	1
41	Adaptor Flange, oil feed to turbo			A910E1545F	1
42	Gasket, flange to turbo			A910E6374F	1





ESPRIT  
40.17a

# Service Parts List

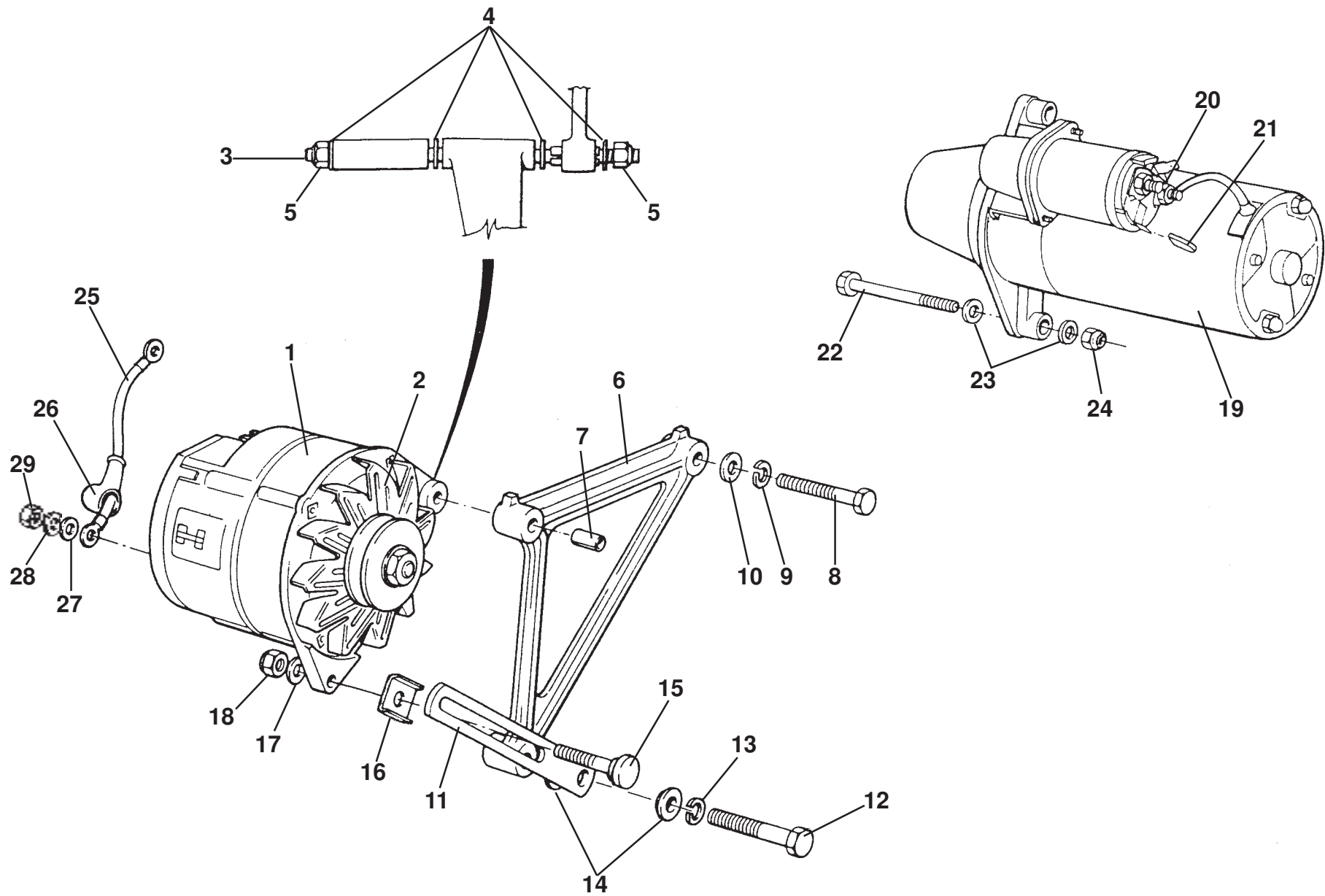


## Function Code 40.17a Ignition System, Spark plugs, Leads, GT3

<u>Dep</u>	<u>Part Description</u>	<u>Remarks</u>	<u>Option</u>	<u>Part Number</u>	<u>Qty</u>
01	Direct Ignition Module/HT Coils			A910E6940F	1
02	Setscrew, M8 x 20, hex. hd., module to chassis			A075W1038Z	3
03	Washer, flat, M8, module to chassis			A075W4020Z	6
04	Nyloc Nut, M8, module to chassis			A075W3010Z	3
05	Ignition Lead Set	Comprises items 6 to 9		B910E6953F	1
06	Ignition Lead, No. 1			B910E6954H	1
07	Ignition Lead, No. 2			B910E6955H	1
08	Ignition Lead, No. 3			B910E6956H	1
09	Ignition Lead, No. 4			B910E6957H	1
10	Clamp, HT leads			A910E6954F	1
11	Plate, lead clamp retention			A910E2513F	1
12	Clip, HT leads retention, four slot	Cut to required number of slots		A910E7012F	5
13	Spark Plug, NGK BPR6EKN			A910E7009F	4







**ESPRIT**  
**40.19a**

# Service Parts List



## Function Code 40.19a Alternator and Starter Motor, GT3

<u>Dep</u>	<u>Part Description</u>	<u>Remarks</u>	<u>Option</u>	<u>Part Number</u>	<u>Qty</u>
01	Alternator & Pulley Assembly, 90A			A910E6604F	1
02	Fan Kit, alternator			A910E6818S	1
03	Stud, alternator to auxiliary housing			B910E1797F	1
04	Washer, flat, M8, alternator stud			A075W4020Z	4
05	Nyloc Nut, M8, alternator stud			A075W3010Z	2
06	Steady Bracket, alternator mounting			E910E1847K	1
07	Split Bush, bracket to alternator pivot stud			B910E1796F	1
08	Bolt, M8 x 40, hex. hd., bracket to water pump			A075W2039D	1
09	Washer, spring, M8, bracket to water pump			A075W4036Z	1
10	Washer, flat, M8, bracket to water pump			A075W4020Z	1
11	Nylon Strap, alternator adjusting			B912E2220F	1
12	Bolt, M10 x 45, hex. hd., strap & bracket to engine			A075W2053Z	1
13	Washer, spring, M10, strap & bracket to engine			A075W4037Z	1
14	Bush, stepped, strap & bracket to engine			A912E2222F	2
15	Clamp Bolt, M8, alternator to strap			A910E2226F	1
16	Clamp Plate, alternator to strap			A912E2221F	1
17	Washer, flat, M8, alternator to strap			A075W4020Z	1
18	Nyloc Nut, M8, alternator to strap			A075W3010Z	1

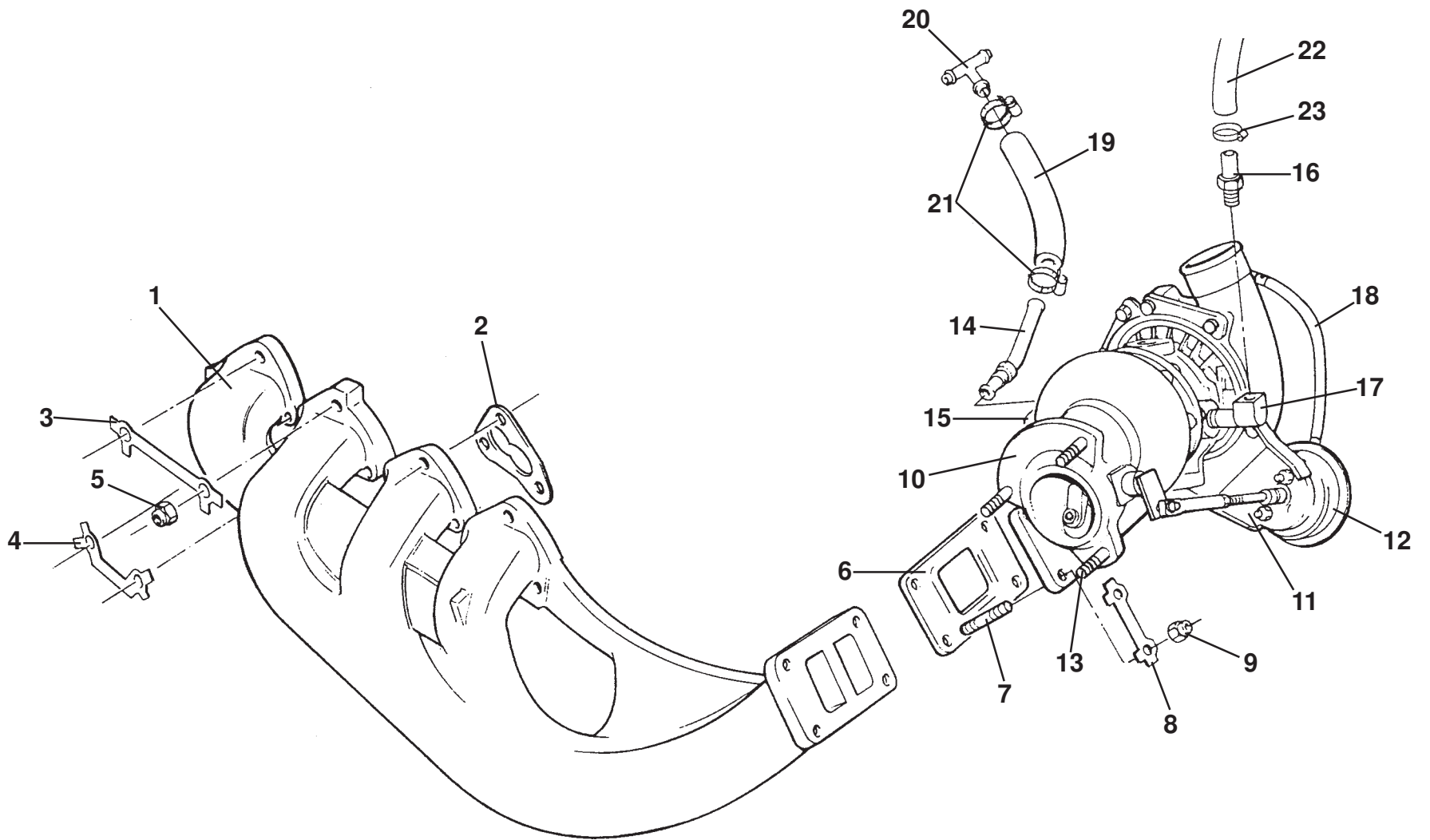


---

**Function Code 40.19a Alternator and Starter Motor, GT3**

<u>Dep</u>	<u>Part Description</u>	<u>Remarks</u>	<u>Option</u>	<u>Part Number</u>	<u>Qty</u>
19	Starter Motor		A912E6884F R/B	B912E6884F	1
20	Copper Washer, flat, M8, starter terminal stud	Cable eyelet to spring washer		A082W4118F	1
21	Insulation Sleeve, unused terminal			A910E6194F	1
22	Bolt, M10 x 75, hex. hd., starter to engine			A075W2059Z	1
23	Washer, flat, M10, starter to engine			A075W4024Z	2
24	Nyloc Nut, M10, starter to engine			A075W3011Z	1
25	Cable, alternator to starter solenoid			B089M0414F	1
26	Rubber Boot, alternator & starter terminals			A075W6174F	2
27	Washer, flat, M8, cable to alternator			A075W4020Z	1
28	Washer, shakeproof, M8, cable to alternator			A082W4114F	1
29	Nut, M8, cable to alternator			A075W3021Z	1





**ESPRIT**  
**40.21a**

# Service Parts List



## Function Code 40.21a Exhaust Manifold & Turbocharger, GT3

<u>Dep</u>	<u>Part Description</u>	<u>Remarks</u>	<u>Option</u>	<u>Part Number</u>	<u>Qty</u>
01	Exhaust Manifold			A910E2588K	1
02	Gasket, exhaust manifold to head	Also see 40.02b		A910E2235F	4
03	Locking Plate, manifold to head, upper			A910E2419F	2
04	Locking Plate, manifold to head, lower			A910E2420F	4
05	Nut, M8, aerotite, manifold to head, lower			A075W3022Z	12
06	Gasket, turbo to manifold			A910E2565F	1
07	Stud, M10, turbo to manifold			A912E2020F	4
08	Locking Plate, turbo to manifold			A910E1563F	2
09	Nut, M10, kaylock, turbo to manifold			A089W3082F	4
10	Turbocharger Assembly, 2.0 litre		Except Australia	A920E6002F	1
10a	Turbocharger Assembly, 2.2 litre		Australia only	A910E6959F	1
11	Bracket, wastegate actuator capsule mounting			A910E2355H	1
12	Capsule, wastegate actuation			A910E6915F	1
13	Stud, turbo outlet			A910E7016F	3
14	Stub Pipe & Nut, turbo coolant feed			A910E2382F	1
15	Elbow Adaptor, turbo coolant feed			A910E2369F	1
15a	Permabond A134, elbow to turbo			A100B6155V	As req.
16	Spigot Pipe & Nut, turbo coolant return			A910E2544F	1

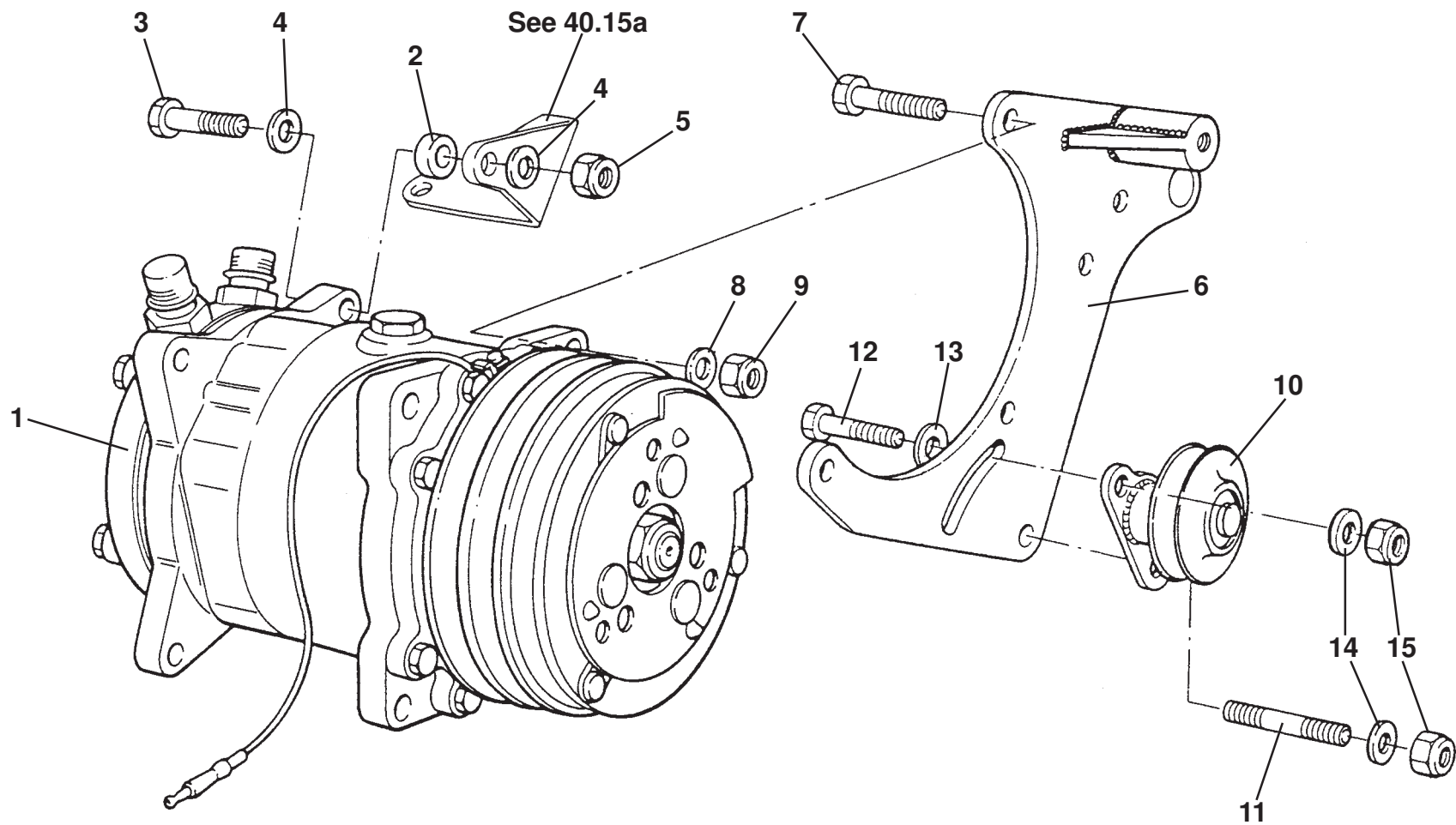


---

**Function Code 40.21a Exhaust Manifold & Turbocharger, GT3**

<u>Dep</u>	<u>Part Description</u>	<u>Remarks</u>	<u>Option</u>	<u>Part Number</u>	<u>Qty</u>
17	Elbow Adaptor, turbo coolant return			A910E2369F	1
18	Hose, pressure sensing	Includes hose clips		A910E9280S	1
19	Hose, turbo to 'T' piece			A910E2380K	1
20	'T' Piece, turbo/heater feed			A910E2377F	1
21	Hose Clip, 16-25mm, hose to pipe & 'T' piece			A079K6018F	2
22	Hose, turbo to header tank			A910E2379K	1
23	Hose Clip, hose to turbo & header tank			A910E2389F	2
24	Turbo Wastegate Rod			A910E7048S	1





**ESPRIT**  
**40.23a**

# Service Parts List

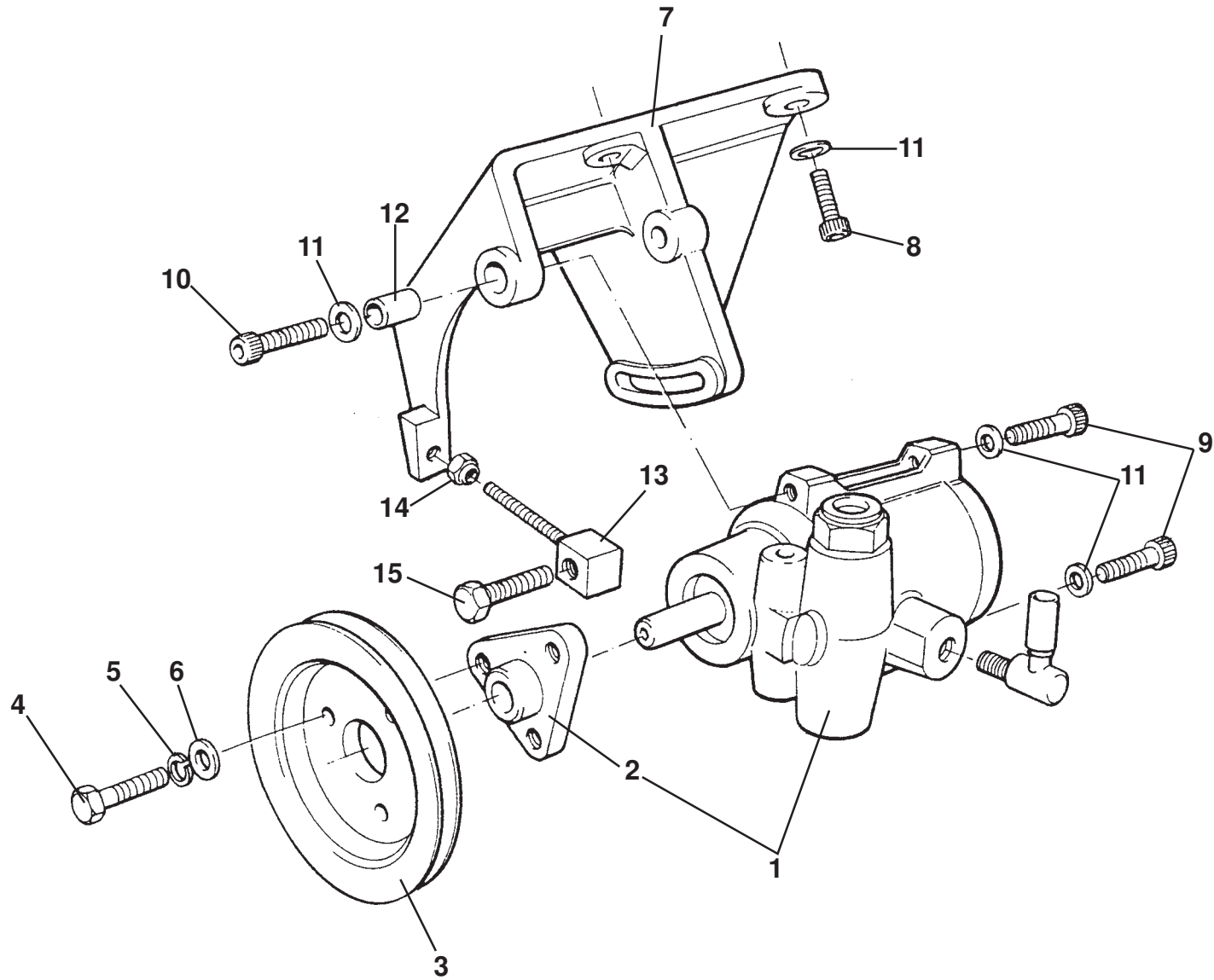


## Function Code 40.23a AC Compressor, GT3

<u>Dep</u>	<u>Part Description</u>	<u>Remarks</u>	<u>Option</u>	<u>Part Number</u>	<u>Qty</u>
01	AC Compressor			A082P6064F	1
02	Spacer, compressor to rear bracket			A907E1139F	1
03	Bolt, M10 x 40, hex, hd., compressor to rear bracket			A075W2052Z	1
04	Washer, flat, M10, compressor to rear bracket			A075W4024Z	1
05	Nyloc Nut, M10, compressor to rear bracket			A075W3011Z	1
06	Bracket, compressor front to block			A912E2276F	1
06a	Bolt, M10 x 45, hex, hd., compressor bracket to block	Not illustrated		A075W5023Z	2
07	Bolt, M10 x 35, hex. hd., compressor to front bracket			A075W2051Z	3
08	Washer, flat, M10, compressor to front bracket			A075W4024Z	3
09	Nyloc Nut, M10, compressor to front bracket			A075W3011Z	3
10	Idler Pulley & Adjuster Bracket Assembly			A910E9049J	1
11	Stud, idler pulley bracket pivot			A907E1197F	1
11a	Permabond A130, stud securing			A912E7033V	As req.
12	Bolt, M8 x 30, hex.hd., idler pulley adjustment slot			A075W2037Z	1
13	Washer, M8, thick, idler pulley adjustment slot			A079W4019F	1
14	Washer, flat, M8 x 16.6 x 1.4, idler to bracket			A075W4020Z	2
15	Nyloc Nut, M8,, idler to bracket			A075W3010Z	2







**ESPRIT**  
**40.25**

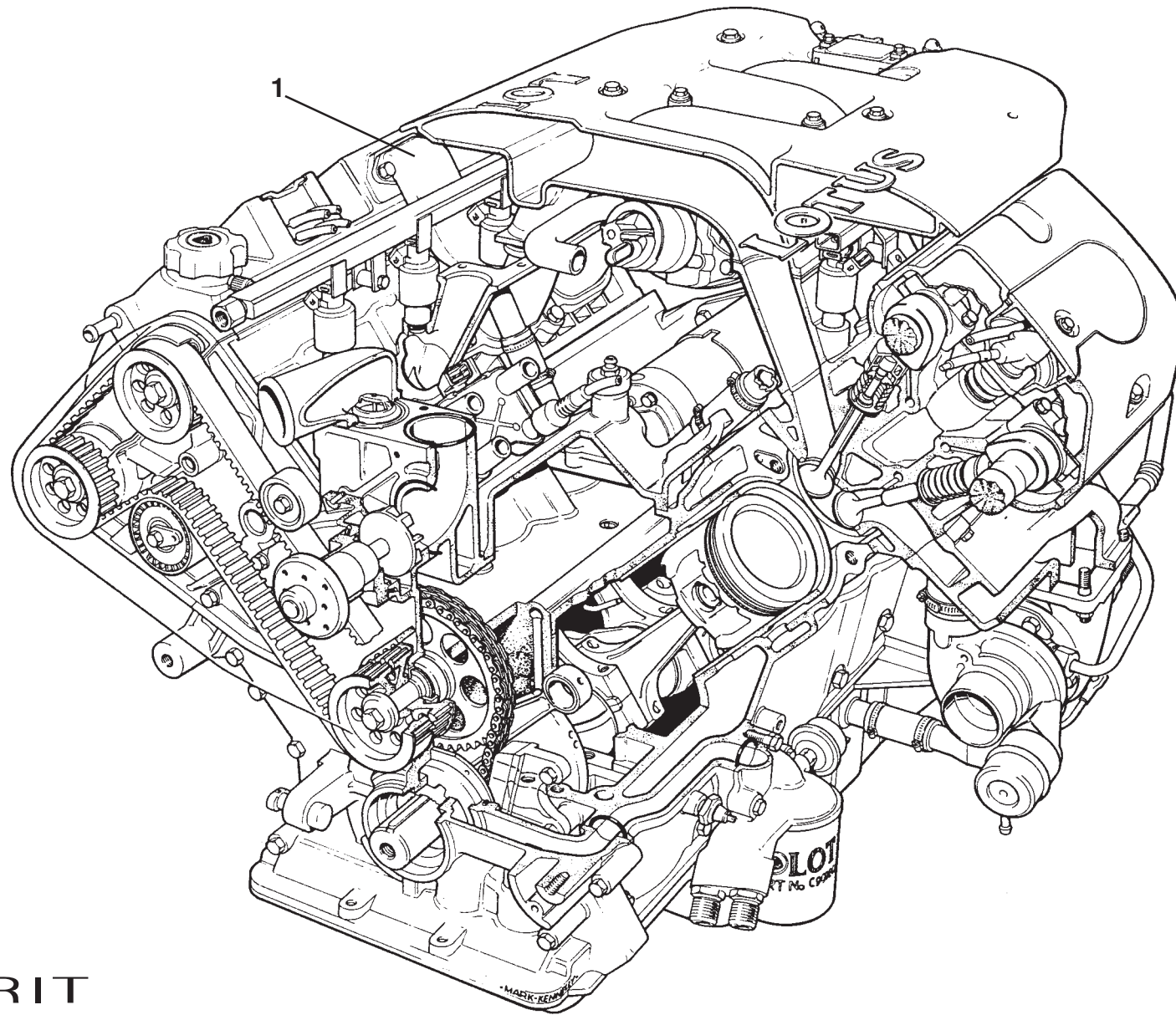
# Service Parts List



## Function Code 40.25 Power Steering Pump, Pulley, Mounts & Fixings

<u>Dep</u>	<u>Part Description</u>	<u>Remarks</u>	<u>Option</u>	<u>Part Number</u>	<u>Qty</u>
01	Power Steering Pump Assembly	Includes hub, item 2		A910E7022F	1
02	Hub, pump to drive pulley	Part of item 1		A912E7013F	1
03	Drive Pulley, power steering pump			B912E6589F	1
04	Setscrew, M8 x 16, hex. hd., pulley to pump			A075W1036Z	3
05	Washer, spring, M8, pulley to pump			A075W4036Z	3
06	Washer, flat, M8 x 16.6 x 1.4, pulley to pump			A075W4020Z	3
07	Bracket, PAS pump mounting			B910E2468K	1
08	Setscrew, M8 x 25, cap hd., bracket to block			A075W7024F	4
09	Setscrew, M8 x 25, cap hd., pump to bracket, rear			A075W7024F	2
10	Setscrew, M8 x 30, cap hd., pump to bracket, front			A089W7052F	1
11	Washer, flat, M8 x 16.6 x 1.4, pump/bracket fixings			A075W4020Z	7
12	Split Bush, pump front fixing lug			A910E2560F	1
13	Adjuster Stud, belt tension			B910E2470F	1
14	Locking Nut, adjuster stud			A075W3021Z	1
15	Pivot Bolt, belt tension adjuster stud			B910E2469F	1
15a	Permabond A130, pump & bracket fixings			A912E7033V	As req.





ESPRIT  
40.00b

*Updated 1st September 2014*

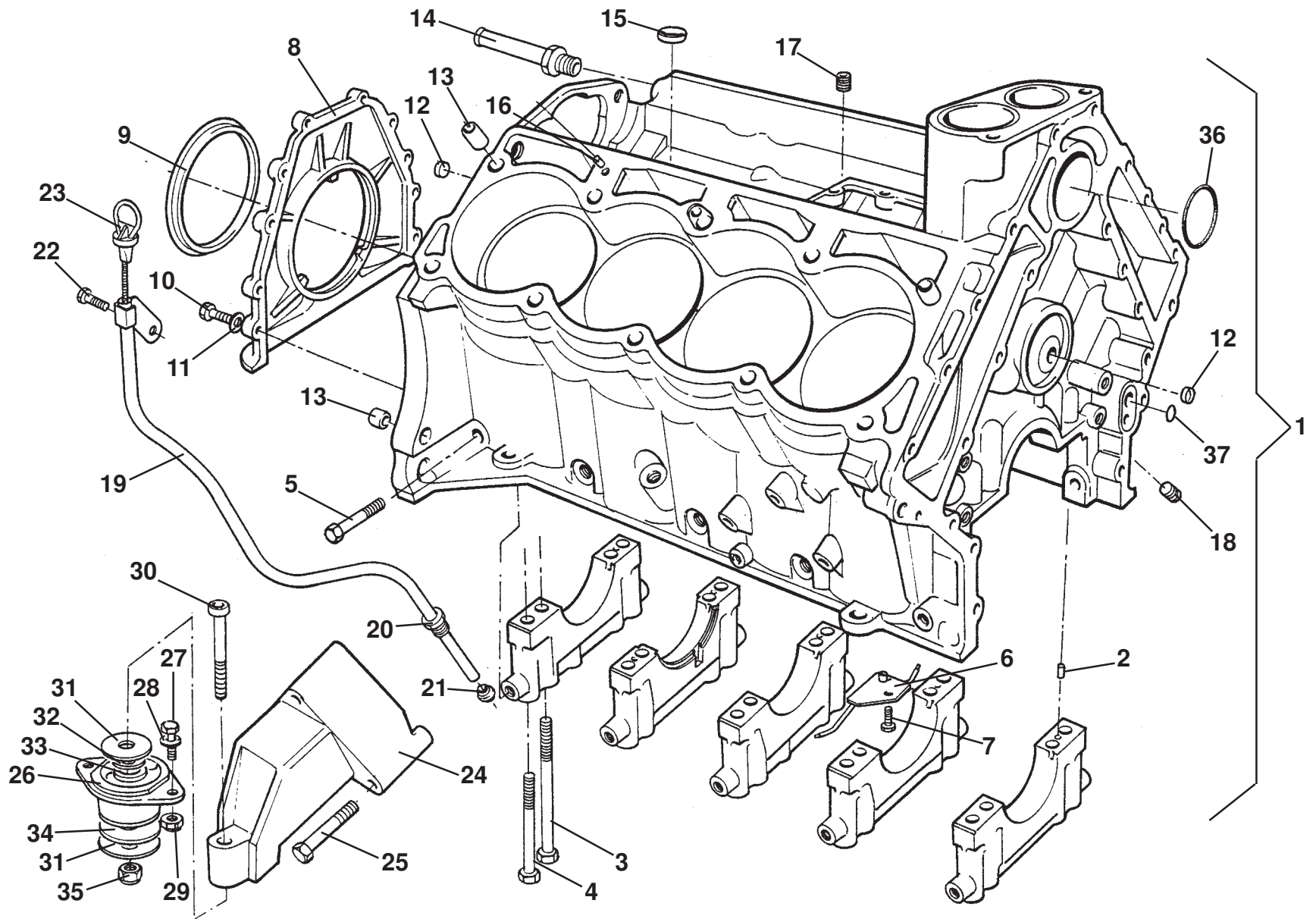
# Service Parts List *V8*



## Function Code 40.00b Engine Assemblies

<u>Dep</u>	<u>Part Description</u>	<u>Remarks</u>	<u>Option</u>	<u>Part Number</u>	<u>Qty</u>
01	Engine Assembly, V8	Without EGR	European Specification	<b>A918E0319J</b>	1
01a	Engine Assembly, V8	With EGR, ECD 3	USA, ROW 2001 MY on	<b>A918E0363J</b>	1

*V8*



**ESPRIT**  
**40.01b**

# Service Parts List



## Function Code 40.01b Engine Block, Mounts, V8

<u>Dep</u>	<u>Part Description</u>	<u>Remarks</u>	<u>Option</u>	<u>Part Number</u>	<u>Qty</u>
01	Cylinder Block Assembly	Includes main bearing caps		A918E0217J	1
02	Dowel, main bearing caps locating			A918E6059F	6
03	Bolt, inner main bearing caps securing			A918E0110F	10
04	Bolt, outer main bearing caps securing			A918E0111F	10
05	Bolt, side main bearing caps securing			A918W2170F	10
06	Jet, oil, piston cooling			A918E0244F	4
07	Bolt, -jet securing			A100W1105F	4
08	Cover, crankshaft rear oil seal			A918E0143K	1
09	Oil seal, rear crankshaft	Also see 40.02a		A918E0210F	1
10	Bolt, cover to block			A075W1030Z	12
11	Washer, cover to block			A075W4013Z	12
12	Core Plug, 14mm, water jacket			A918E6043F	2
13	Dowel, locating, block to cylinder head	Also clutch housing locating, 2 off		B907E6181F	6
14	Connector, brass, coolant hose			A918E0103F	2
15	Core Plug, 22mm, water jacket			A907E6038Z	1
16	Dowel, locating, head gasket			A918E6059F	2
17	Blanking Plug, 1/8 x 27 NPTF, top of cylinder head			A918W6549F	1
18	Blanking Plug, 3/8 x 18 NPSF, LHS cyl .block			A918W6562F	1

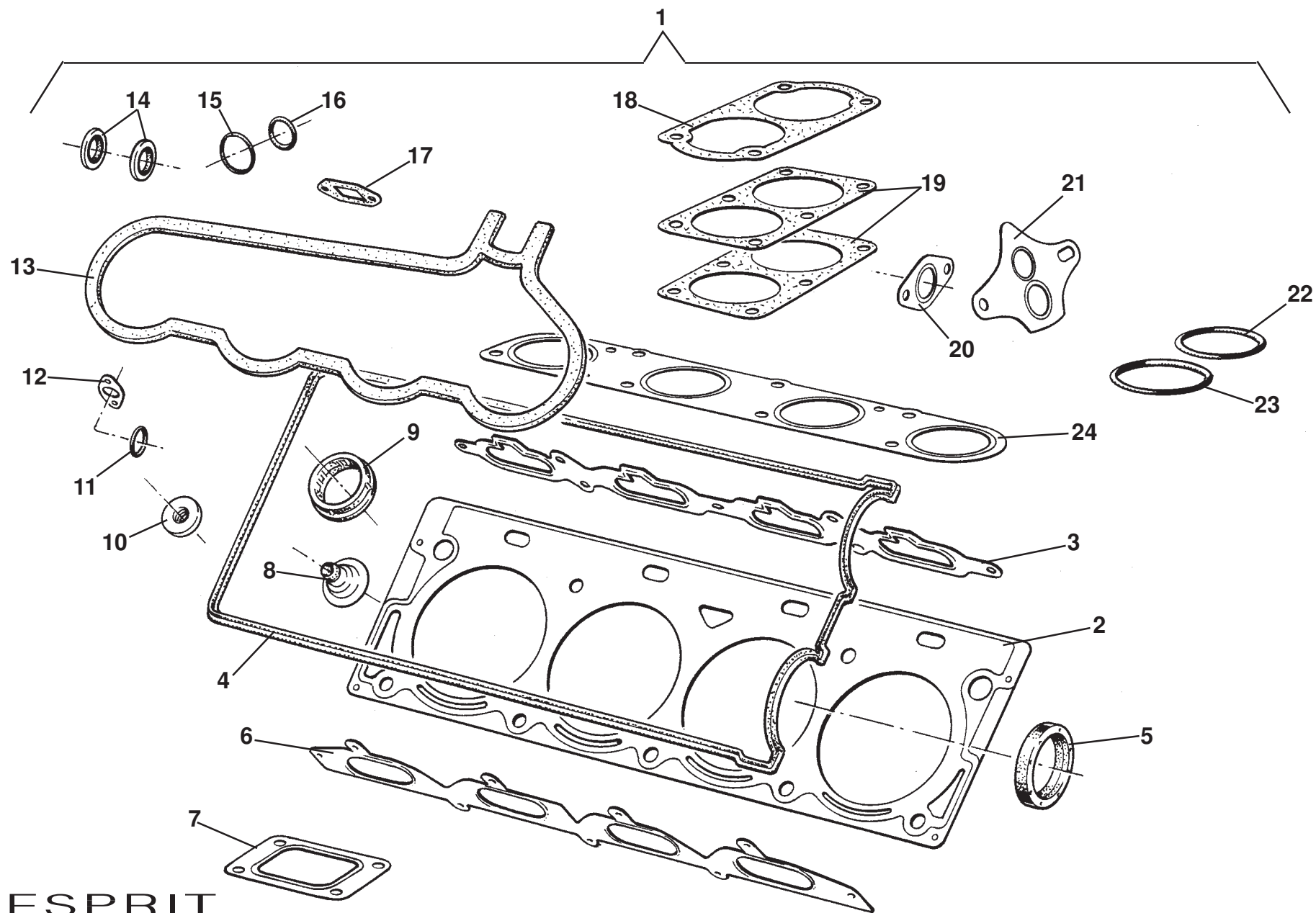
Function Code: 40.01b, Page: 1

Updated 2nd February 2015

**Function Code 40.01b Engine Block, Mounts, V8**

<u>Dep</u>	<u>Part Description</u>	<u>Remarks</u>	<u>Option</u>	<u>Part Number</u>	<u>Qty</u>
19	DipstickTube			A918E0168F	1
20	Sleeve, tube to block			A911E6378F	1
21	Olive, tube to block			A912E6892F	1
22	Bolt, M6 x 12, hex. hd., dipstick tube to block			A075W1027Z	1
23	Dipstick-engine oil level			A918E0167F	1
24	Mounting Bracket, engine block			A918E0154K	2
25	Bolt, M10 x 65, hex. hd., bracket to block			A075W2056Z	6
26	Metalastic Engine Mount		V8, V8GT	A918E0267F	2
26a	Metalastic Engine Mount		Sport 350	B085E6009F	2
27	Bolt, M8 x 20, hex hd., mount to chassis			A075W1038Z	4
28	Washer, flat, M8, mount to chassis			A075W4020Z	4
29	Nyloc Nut, M8, mount to chassis			A075W3010Z	4
30	Bolt, M12 x 100, cap hd., mount to bracket			A100W7098F	2
31	Plain Washer			A079W4083F	2
32	Buffer Washer, stepped rubber inside			A085E6011F	2
33	Plain Washer			A075W4008Z	2
34	Buffer Washer, rubber face upwards			A085E6010F	2
35	Nyloc Nut, M12			A075W3012Z	2
36	'O' Ring, water pump	Also see section 40.15		A918E6019F	1
37	'O' Ring, oil gallery	Also see section 40.15		A918E6018F	1

18



ESPRIT  
40.02d



# Service Parts List *1/8*



## Function Code 40.02d Gaskets & Sealants, Top Overhaul Set, V8

<u>Dep</u>	<u>Part Description</u>	<u>Remarks</u>	<u>Option</u>	<u>Part Number</u>	<u>Qty</u>
01	Gasket Set, top overhaul			A918E0316S	1
02	Gasket, cylinder Head			A918E0029F	2
03	Gasket, inlet manifold			B918E0027F	2
04	Gasket, camshaft cover			A918E0123F	2
05	Oilseal, camshaft			A918E6006F	4
06	Gasket, exhaust manifold to head			A918E0028F	2
07	Gasket, turbo to manifold			A918E0025F	2
08	Seal, valve stem			A918E0209F	32
09	Seal, spark plug bore			A918E0122F	8
10	Seal, camshaft cover bolt			A918E0124F	12
11	'O' Ring, air valve			A918E6024F	1
12	Gasket, air valve			A918E0031F	1
13	Gasket, spark plug cover			A918E0342F	2
14	Seal/Dowty Washer, M14			A918E6005F	4
15	'O' Ring, secondary injector			A918E6067F	2
16	'O' Ring, secondary injector			A918E6026F	2
17	Gasket, breather pipe			A918E0302F	2
18	Gasket, EGR, manifold to plenum			A918E0024F	1

*1/8*

Function Code: 40.02d, Page: 1

*Updated 28th January 2011*

---

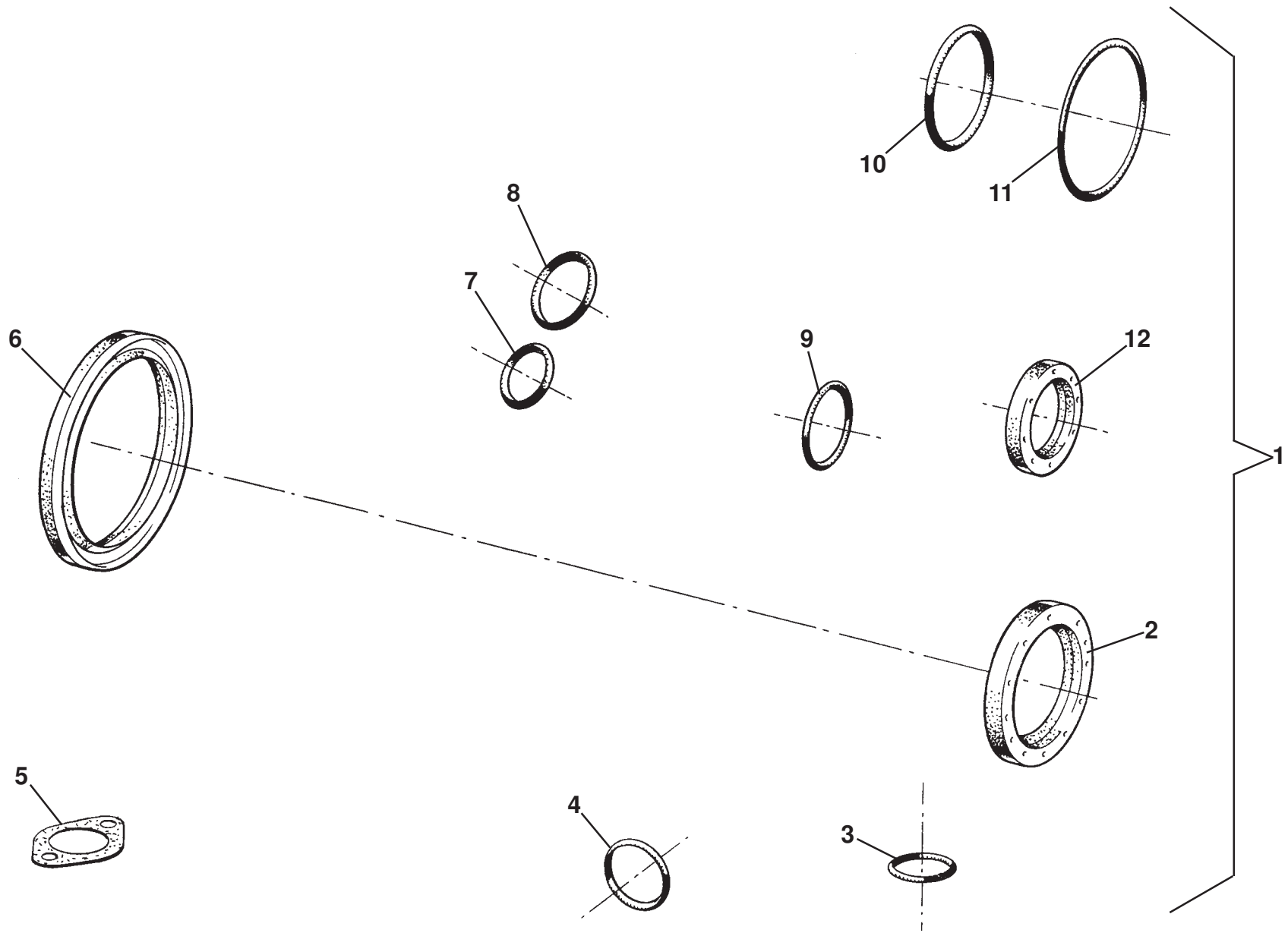
**Function Code 40.02d Gaskets & Sealants, Top Overhaul Set, V8**

<u>Dep</u>	<u>Part Description</u>	<u>Remarks</u>	<u>Option</u>	<u>Part Number</u>	<u>Qty</u>
19	Gasket, throttle body			A918E0026F	2
20	Gasket, EGR Flange			A918E0033F	4
21	Gasket, EGR valve			A918E0032F	1
22	'O' Ring, coolant connection			A918E6021F	1
23	'O' Ring, thermostat/front Cover			A918E6019F	1
24	Gasket, plenum to manifold			A918E0023F	2
25	Plenum Gasket Set			A918E0315S	1

---

---

18

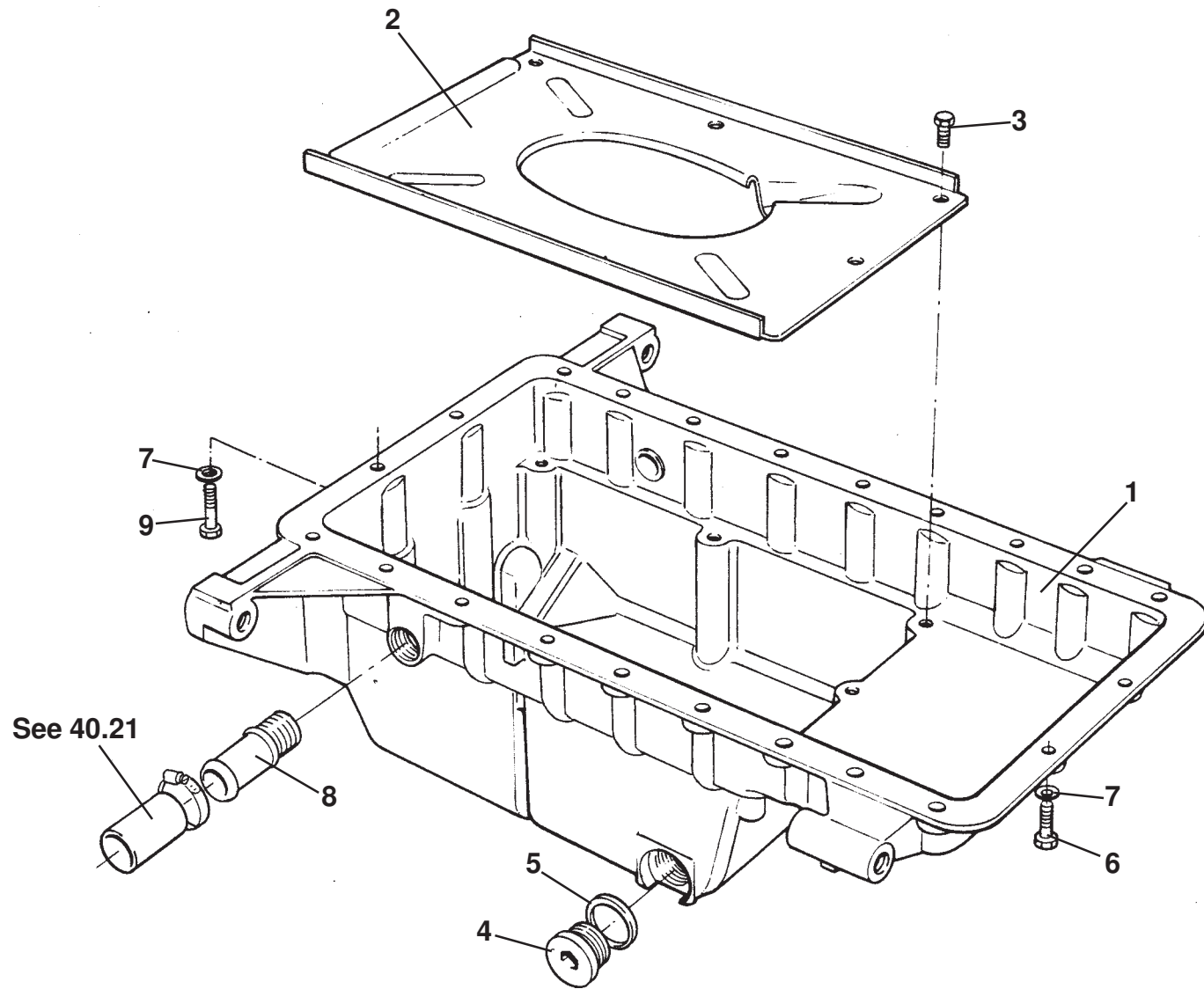


ESPRIT  
40.02e

---

**Function Code 40.02e Gaskets & Sealants, Bottom Overhaul Set, V8**

<u>Dep</u>	<u>Part Description</u>	<u>Remarks</u>	<u>Option</u>	<u>Part Number</u>	<u>Qty</u>
01	Gasket Set, bottom overhaul			A918E0317S	1
02	Oil Seal, crankshaft, front			A918E6007F	1
03	'O' Ring, oil pick up pipe			A918E6020F	1
04	'O' Ring, sump plug			A912E6694F	1
05	Gasket, turbo oil drain			A918E0030F	2
06	Oilseal, crankshaft, rear			A918E0210F	1
07	'O' Ring, oil filter housing			A918E6023F	1
08	'O' Ring, oil filter housing			A918E6025F	1
09	'O' Ring, front cover to cylinder block oil gallery			A918E6018F	1
10	'O' Ring, front cover to water pump			A918E6019F	1
11	'O' Ring, front cover to water pump cover			A918E0094H	1
12	Oil Seal, idler shaft			A918E6006F	1



**ESPRIT**  
**40.03b**

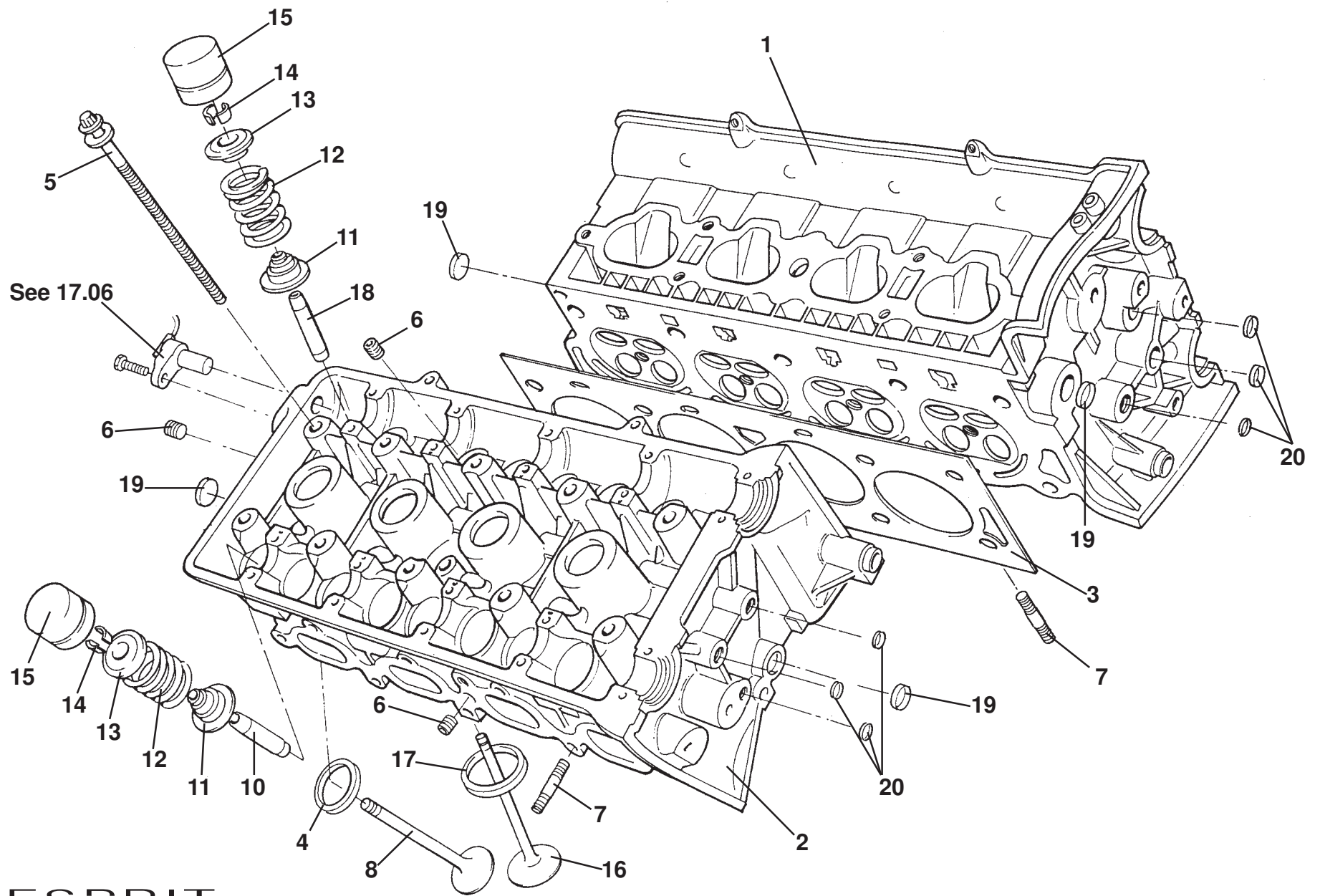
---

**Function Code 40.03b Sump Assembly, V8**

<u>Dep</u>	<u>Part Description</u>	<u>Remarks</u>	<u>Option</u>	<u>Part Number</u>	<u>Qty</u>
01	Oil Sump	Includes drain plug		<b>B918E0211J</b>	1
02	Baffle, sump			<b>A918E0166F</b>	1
03	Bolt, M6 x 12, hex. hd., baffle to sump			<b>A075W1027Z</b>	7
04	Oil Drain Plug		Prior to '98 MY	<b>A911E6343F</b>	1
04a	Oil Drain Plug	With oil temperature sensor tapping*	'98 MY on	<b>A918E0349F</b>	1
05	'O' Ring, drain plug to sump			<b>A912E6694F</b>	1
06	Bolt, M8 x 25 , hex. hd., sump to block			<b>A075W1039Z</b>	20
07	Washer, flat, M8, sump to block			<b>A075W4020Z</b>	22
08	Spigot, turbo oil feed			<b>A918E0243F</b>	2
09	Screw, M8 x 25, cap hd., sump rear to block			<b>A075W7024F</b>	2

\*For sensor see 17.06

---



**ESPRIT**  
**40.05b**

# Service Parts List



## Function Code 40.05b Cylinder Head , Valves, Springs, V8

<u>Dep</u>	<u>Part Description</u>	<u>Remarks</u>	<u>Option</u>	<u>Part Number</u>	<u>Qty</u>
01	Cylinder Head Assembly, RH	Incl. valves, springs, cam caps, studs & core plugs		B918E0004J	1
01a	Cylinder Head, sub assembly, RH	Incl. cam caps, studs & core plugs		A918E0202J	1
02	Cylinder Head Assembly, LH	Incl. valves, springs, cam caps, studs & core plugs		B918E0003J	1
02a	Cylinder Head, sub assembly, LH	Incl. cam caps, studs & core plugs		A918E0201J	1
03	Gasket, cylinder head	Also see 40.02		A918E0029F	1
04	Seat, exhaust valve			A918E0082F	16
05	Bolt, M11 x 258 x 1.5 6g, cylinder head fix.			A918E0112F	20
06	Plug, oil gallery ¼ x 18 NPTF			A912E7037Z	8
07	Stud, exhaust manifold (M8 x 1.25 4H x 45)			B918E0120F	18
08	Valve, exhaust			A918E0002F	16
10	Valve Guide, exhaust			A918E0107F	16
11	Seat, valve spring			A918E0209F	32
12	Valve Spring			A918E0159F	32
13	Retainer, valve spring			A918E0101F	32
14	Valve Retaining Collet			A918E6000F	64
15	Hydraulic Tappet			A918E6004F	32
16	Valve, inlet			A918E0001F	16

Function Code: 40.05b, Page: 1

Updated 28th January 2011



---

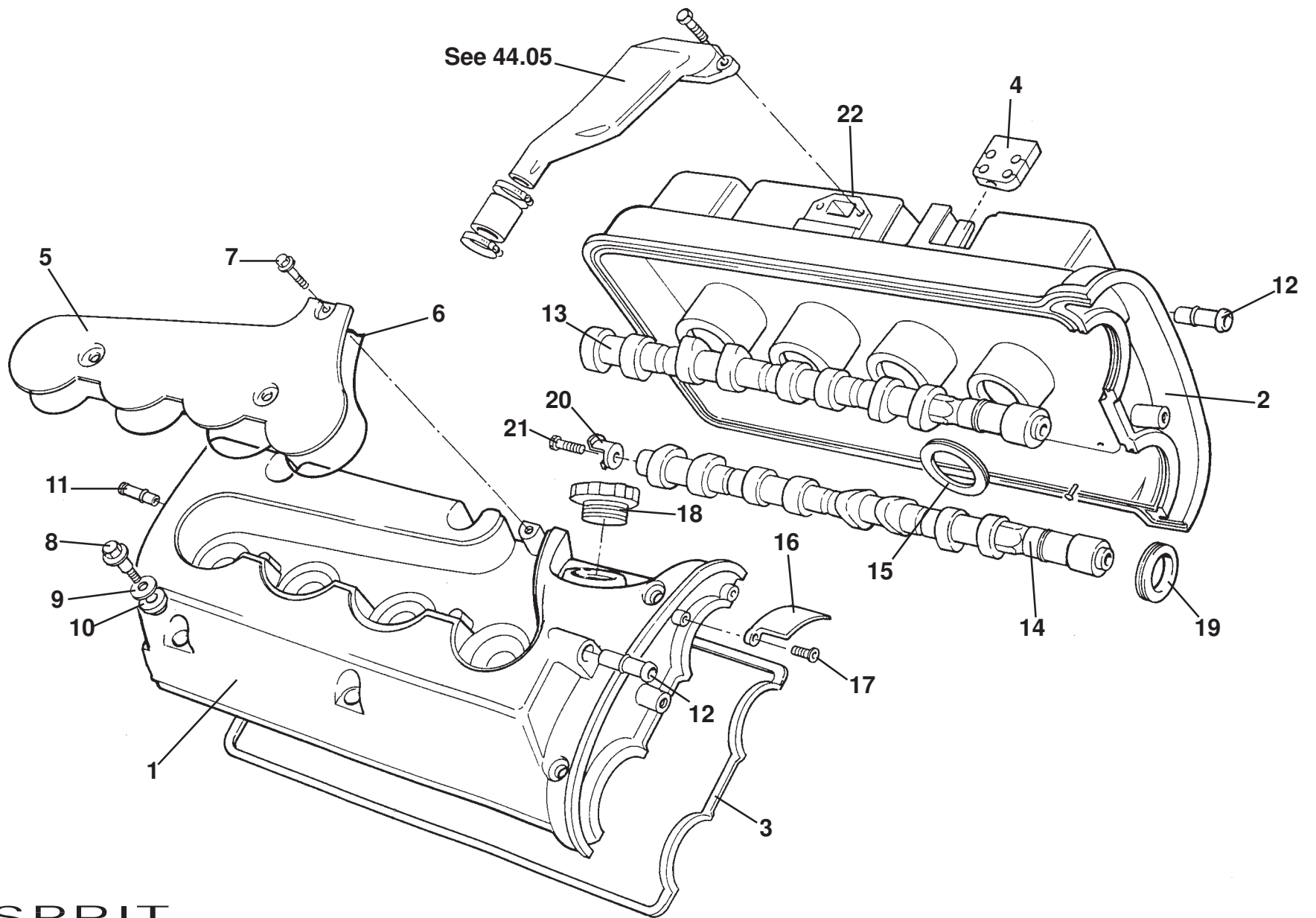
**Function Code 40.05b Cylinder Head , Valves, Springs, V8**

<u>Dep</u>	<u>Part Description</u>	<u>Remarks</u>	<u>Option</u>	<u>Part Number</u>	<u>Qty</u>
17	Seat, inlet valve			<b>A918E0079F</b>	16
18	Valve Guide, inlet			<b>A918E0076F</b>	16
19	Core Plug, 22mm, water jacket			<b>A907E6038Z</b>	4
20	Core Plug, 14mm, oil gallery/air rail			<b>A918E6043F</b>	7
21	Bolt. M6 x 40, hex. hd., cam caps to head	Not illustrated, cam caps part of head assembly		<b>A075W2030Z</b>	40
22	Washer, flat, M6, cam caps to head	Not illustrated, cam caps part of head assembly		<b>A075W4013Z</b>	40

---

---

18



ESPRIT  
40.07c

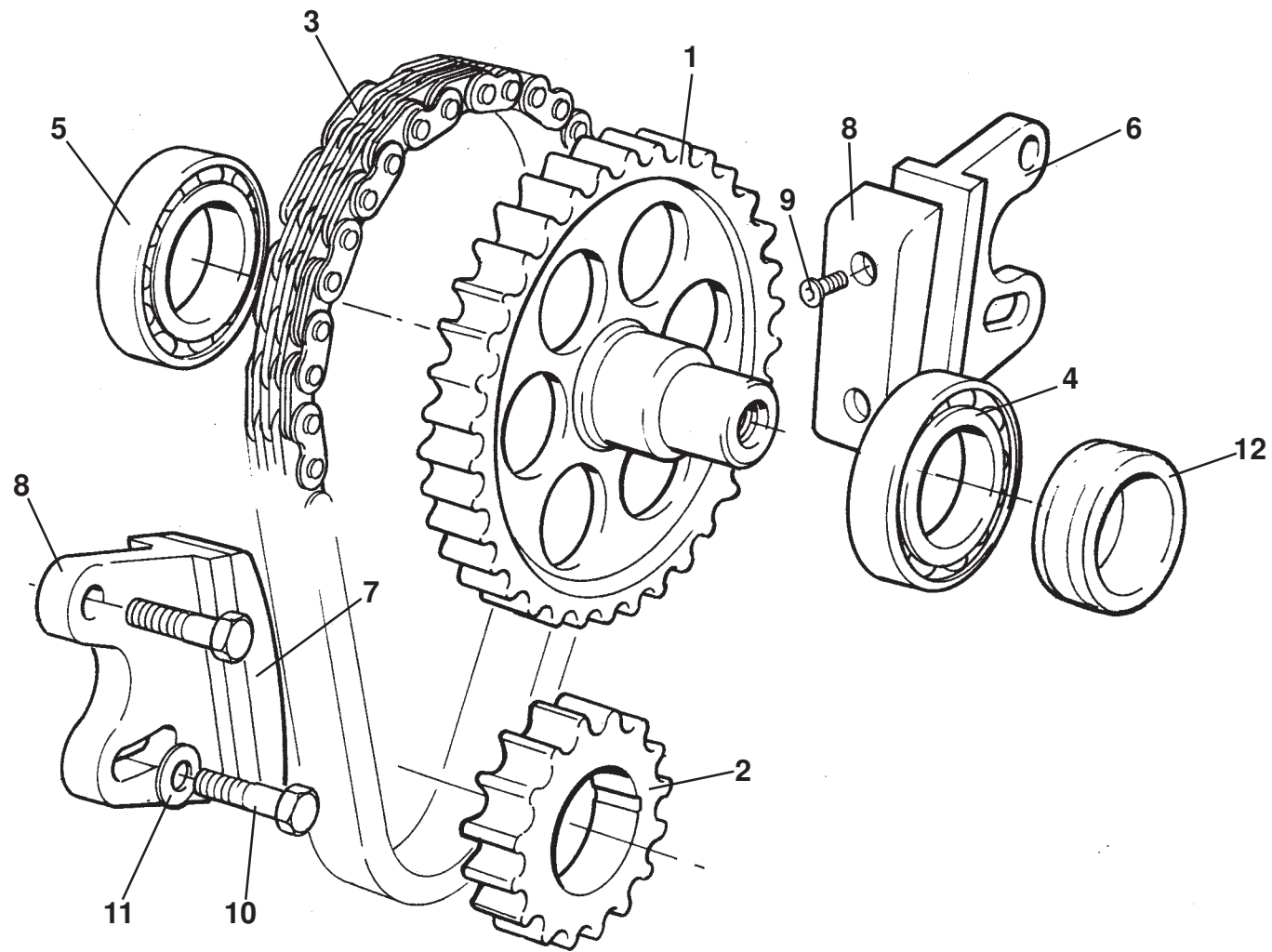
**Function Code 40.07c Camshafts, Tappets, Cam Cover, V8**

<u>Dep</u>	<u>Part Description</u>	<u>Remarks</u>	<u>Option</u>	<u>Part Number</u>	<u>Qty</u>
01	Cam Cover Assembly, RH	With plug well drains, red finish		<b>B918E0214J</b>	1
02	Cam Cover Assembly, LH	With plug well drains, red finish		<b>B918E0213J</b>	1
02a	Cam Cover Assembly, RH	Blue finish	Sport 350	<b>A918E0372J</b>	1
02b	Cam Cover Assembly, LH	Blue finish	Sport 350	<b>A918E0371J</b>	1
03	Gasket, camshaft cover	Also see 40.02		<b>A918E0123F</b>	2
04	Spark Plug Lead Retainer			<b>B918E0170F</b>	2
05	Spark Plug Well Cover, RH	Red finish		<b>A918E0130K</b>	1
05a	Spark Plug Well Cover, LH	Red finish, not illustrated		<b>A918E0129K</b>	1
05b	Spark Plug Well Cover, RH	Blue finish	Sport 350	<b>A918E0368L</b>	1
05c	Spark Plug Well Cover, LH	Blue finish, not illustrated	Sport 350	<b>A918E0367L</b>	1
06	Seal, spark plug cover to cam cover	Also see 40.02		<b>A918E0342F</b>	2
07	Bolt, M6 x 16, fig. hd., plug cover to cam cover			<b>A918W5208F</b>	6
08	Shoulder Bolt, camshaft cover to head			<b>A918E0196F</b>	12
09	Retaining Washer, seal			<b>A082W4172F</b>	12
10	Seal, camshaft cover bolt	Also see 40.02		<b>A918E 0124F</b>	12
11	Pipe Connector, 7.8mm dia.			<b>A918E0304F</b>	1
12	Pipe Connector, 12.7mm dia.			<b>A918E0305F</b>	2
13	Inlet Camshaft , LH	Colour coded blue		<b>C918E0063F</b>	1
13a	Inlet Camshaft Inlet, RH	Colour coded tan		<b>C918E0065F</b>	1
14	Exhaust Camshaft, LH	Colour coded white, integral sector, cam angle		<b>C918E0062F</b>	1

---

**Function Code 40.07c Camshafts, Tappets, Cam Cover, V8**

<u>Dep</u>	<u>Part Description</u>	<u>Remarks</u>	<u>Option</u>	<u>Part Number</u>	<u>Qty</u>
14a	Exhaust Camshaft, RH	Colour coded green		<b>C918E0064F</b>	1
15	Seal, spark plug bore	Also see 40.02		<b>A918E0122F</b>	8
16	Snubber, camshaft drive belt			<b>A918E0138F</b>	1
17	Screw, M6 x 16, csk., skt., hd.			<b>A918W7120F</b>	2
18	Oil Filler Cap			<b>A912E6965F</b>	1
19	Oil Seal, camshaft	Also see 40.02		<b>A918E6006F</b>	4
20	Sector, cam angle sensor		'B' level camshaft only	<b>A918E0177F</b>	1
21	Screw, M6 x 12, hex. hd., sector to camshaft		'B' level camshaft only	<b>A075W1027Z</b>	1
22	Silastic, clear, breather to cam cover	Replaces black loctite 5910		<b>A075U6044V</b>	20ml



ESPRIT  
40.08

# Service Parts List

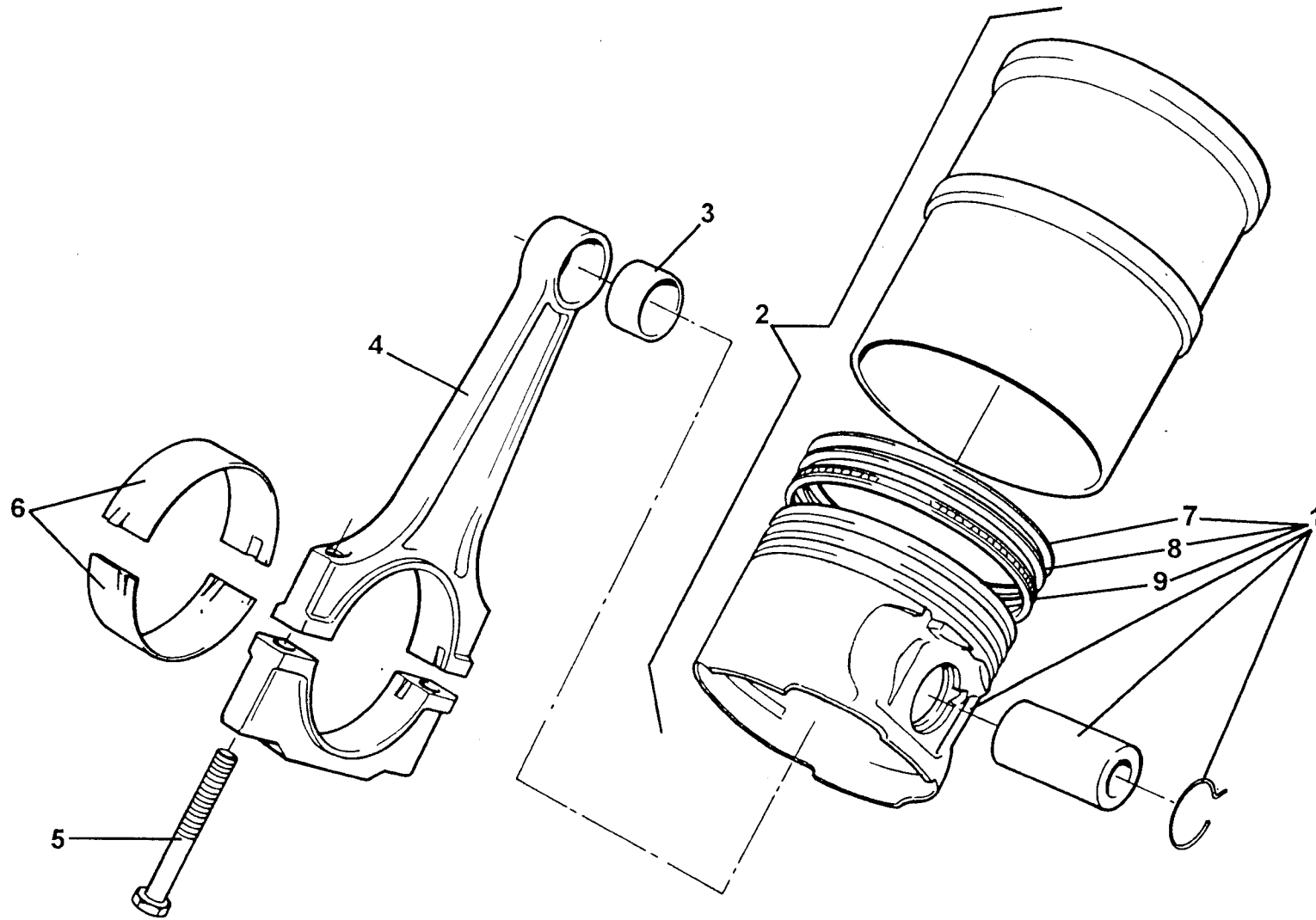


## Function Code 40.08 Camshaft Drive Chain & Sprockets

<u>Dep</u>	<u>Part Description</u>	<u>Remarks</u>	<u>Option</u>	<u>Part Number</u>	<u>Qty</u>
01	Idler Sprocket			B918E0040F	1
02	Crankshaft Sprocket			A918E0041F	1
03	Chain, primary drive			A918E0042F	1
04	Roller Bearing/Sleeve Assy., front, 55mm O/D	Fits early front cover with 55mm housing*		A918E0337F	1
04a	Roller Bearing, front, 52mm O/D	Fits late front cover with 52mm housing*		A918E6074F	1
05	Roller Bearing, rear			A918E6073F	1
06	Snubber Mounting			A918E0119K	2
07	Snubber, RH			A918E0116F	1
08	Snubber, LH			A918E0115F	1
09	Screw, M4 x 12, csk. skt. hd.			A918W7116F	4
10	Bolt, M8 x 25, hex. hd.			A075W1039Z	4
11	Washer, flat, M8			A075W4020Z	4
12	Spacer Sleeve, idler shaft oil seal			A918E0335F	1

\* See Service Bulletin 1997/20





ESPRIT  
40.09b

# Service Parts List

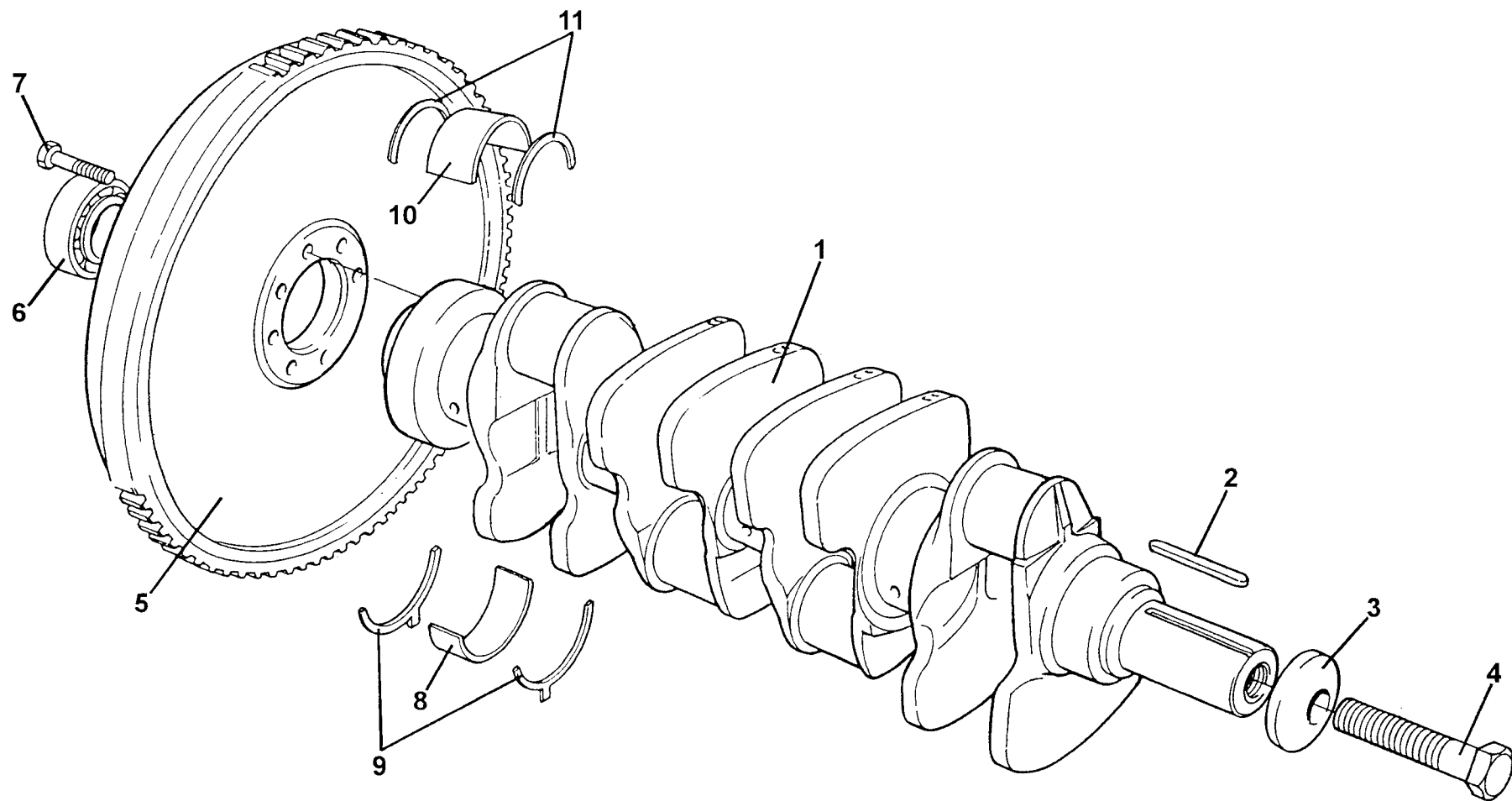


## Function Code 40.09b Pistons, Con-rods, Liners, V8

<u>Dep</u>	<u>Part Description</u>	<u>Remarks</u>	<u>Option</u>	<u>Part Number</u>	<u>Qty</u>
01	Piston Assembly	Comprising: piston, ring set & gudgeon pin/circlips, please state 'A' or 'B' grade when ordering		A918E0306J	8
02	Piston and Liner Assembly	State 'A' or 'B' grade when ordering, see S/B 2000/12		A918E0052F	8
03	Bush, con-rod			A918E0006F	8
04	Con Rod Assembly	Includes bolts		A918E0087F	8
05	Bolt, con-rod, M8 x 1.25 4h x 44, Mn Ph	Part of con-rod assembly		B918E0113F	16
06	Shell, con rod ,standard			A918E0011F	16
06a	Shell, con rod, -0.25mm			A918E0016F	As req.
06b	Shell, con rod ,-0.50mm			A918E0017F	As req.
07	Piston Ring, top			A918E0054H	8
08	Piston Ring, second			A918E0055H	8
09	Piston Ring, oil control			A918E0056H	8
10	Liner Sealant	Not illustrated		A918E6069V	As req.



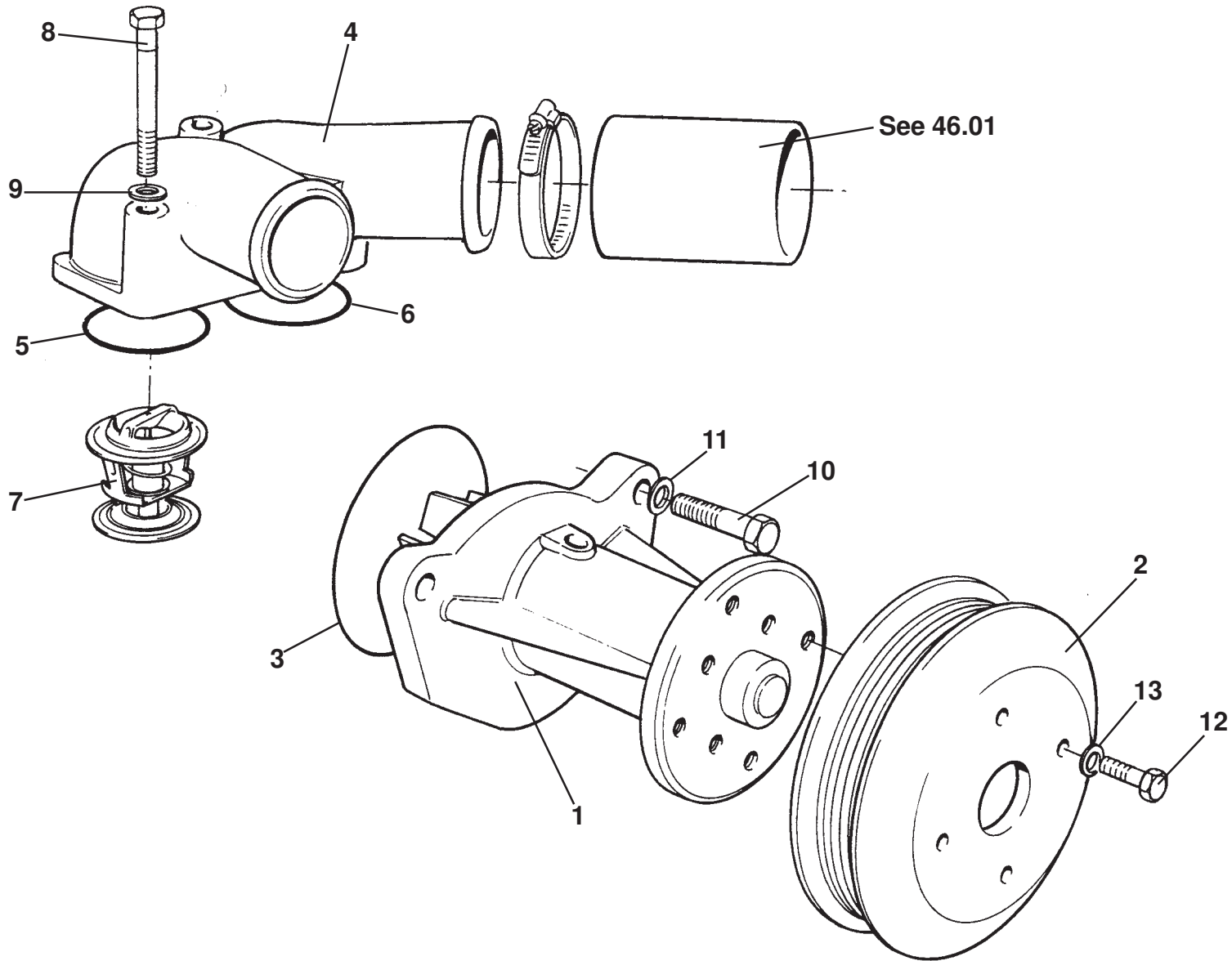




ESPRIT  
40.11b

**Function Code 40.11b Crankshaft, Bearings, Flywheel, V8**

<u>Dep</u>	<u>Part Description</u>	<u>Remarks</u>	<u>Option</u>	<u>Part Number</u>	<u>Qty</u>
01	Crankshaft			C918E0019F	1
02	Key, square section, pulley locking			B918E0018F	1
03	Washer, crankshaft pulley			A918E0176F	1
04	Bolt, M16 x 150, hex. hd.			A918E0114F	1
05	Flywheel		Twin Plate clutch	A918E0325F	1
06	Spigot Bearing, first motion shaft			A912E6862F	1
07	Bolt, flywheel to crankshaft			A918E0043F	8
08	Bearing, main-lower, standard			A918E0007F	5
08a	Bearing, main-lower, 0.25mm			A918E0015F	5
08b	Bearing, main-lower, 0.50mm			A918E0013F	5
09	Bearing, main-upper, standard			A918E0008F	5
09a	Bearing, main-upper, 0.25mm			A918E0014F	5
09b	Bearing, main-upper, 0.50mm			A918E0012F	5
10	Thrust washer, lower, with tag			A918E0009F	2
11	Thrust Washer, upper, without tag			A918E0010F	2
12	Grease, Esso Unirex N3, spigot bearing lubrication	Not illustrated		A912E6891F	5gm



**ESPRIT**  
**40.13b**

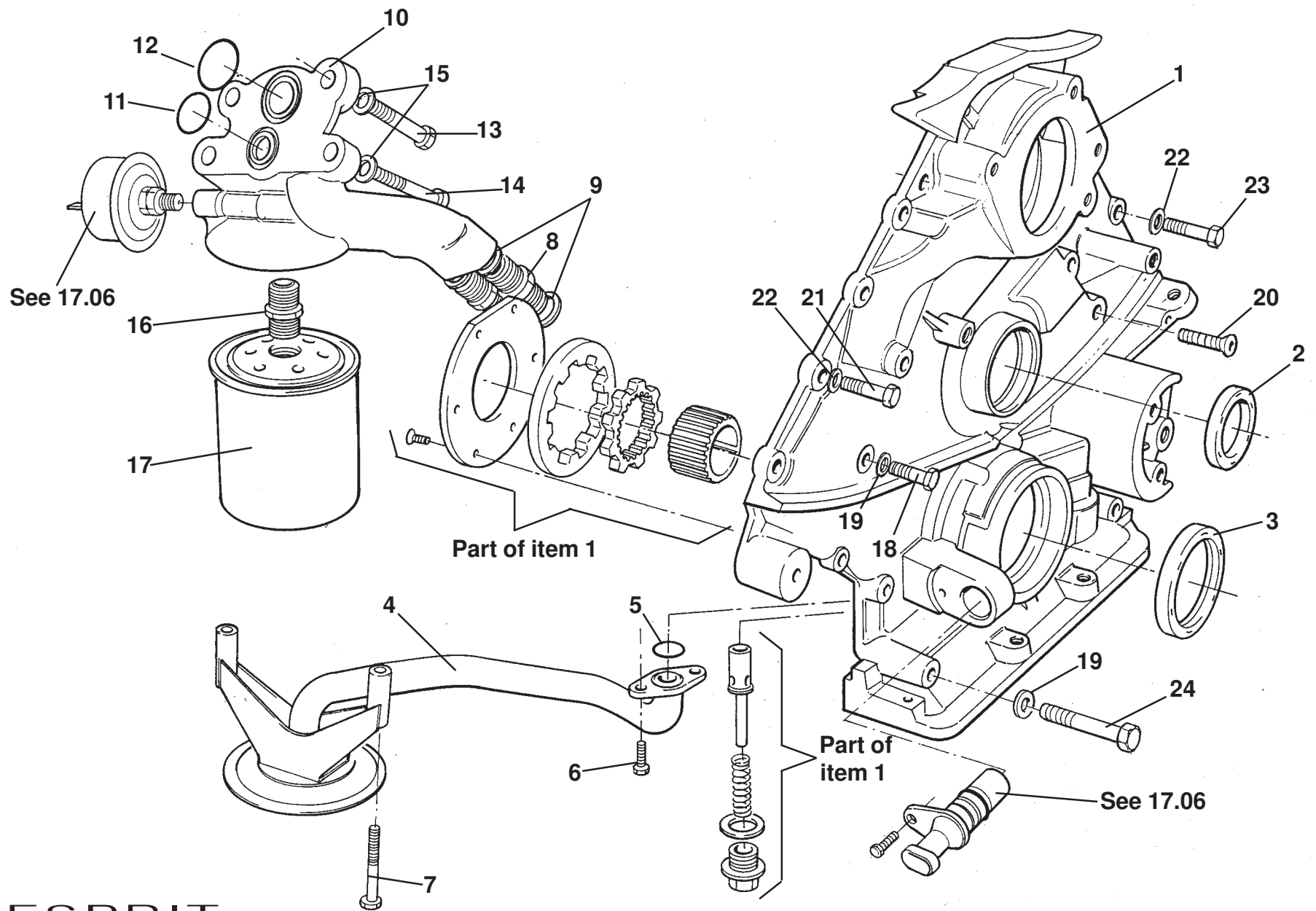
# Service Parts List *V8*



## Function Code 40.13b Water Pump Assembly, Thermostat, V8

<u>Dep</u>	<u>Part Description</u>	<u>Remarks</u>	<u>Option</u>	<u>Part Number</u>	<u>Qty</u>
01	Water Pump Assembly		B918E0088F R/B	C918E0088F	1
02	Pulley, water pump			A918E0072F	1
03	'O' Ring, water pump to front cover	Also see 40.02		A918E0094H	1
04	Housing, thermostat			A918E0141K	1
05	'O' Ring, thermostat housing, RH	Also see 40.02		A918E6019F	1
06	'O' Ring, thermostat housing, LH	Also see 40.02		A918E6021F	1
07	Thermostat, 82°			A918E6037F	1
08	Bolt, M8 x 60, hex. hd., housing to block			A075W2043Z	3
09	Washer, flat, M8, housing to block			A075W4020Z	3
10	Bolt, M8 x 25, hex. hd., water pump to front cover			A075W1039Z	3
11	Washer, flat, M8, water pump to front cover			A075W4020Z	3
12	Bolt, M6 x 16, hex. hd., pulley to water pump			A075W1028Z	4
13	Washer, flat, M6, pulley to water pump			A075W4013Z	4

*V8*



**ESPRIT**  
**40.15b**

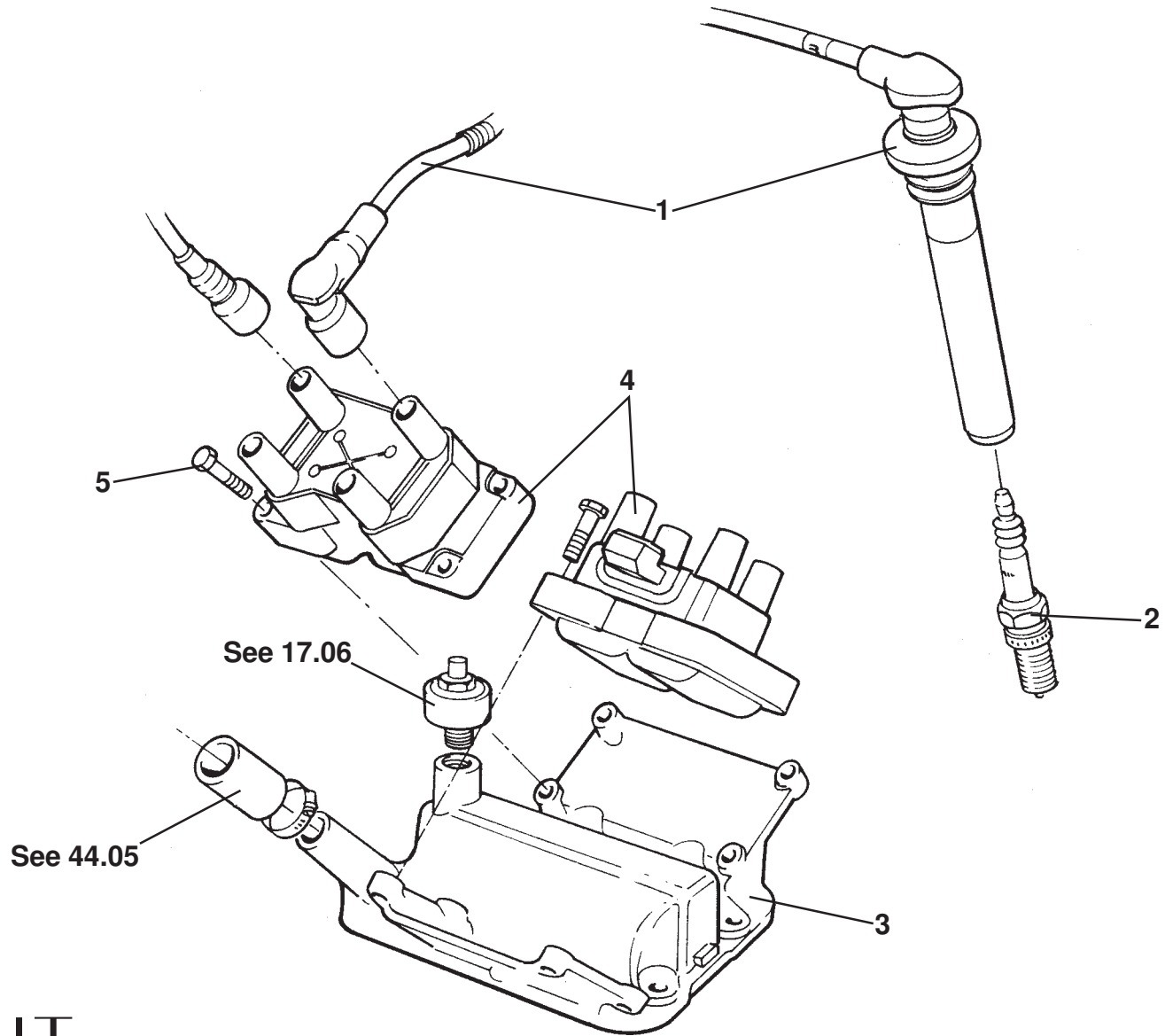
**Function Code 40.15b Lubrication System, V8**

<u>Dep</u>	<u>Part Description</u>	<u>Remarks</u>	<u>Option</u>	<u>Part Number</u>	<u>Qty</u>
01	Front Cover/Oil Pump/PRV Assembly			B918E0044F	1
02	Oil seal, camshaft idler shaft	Also see 40.02a		A918E6006F	1
03	Oil seal, crank front	Also see 40.02a		A918E6007F	1
04	Oil Pick=Up Pipe			A918E0161F	1
05	'O' Ring, oil pick-up to front cover	Also see 40.02a		A918E6020F	1
06	Bolt, M6 x 12, hex. hd.,oil pick-up to block			A075W1027Z	2
07	Screw, M6 x 80, hex. hd.,oil pick-up to front cover			A082W2174F	2
08	Adaptor, oil cooler hose			A907E6300F	2
09	Sealing Washer, oil cooler adaptor			B907E6301F	2
10	Oil Filter Housing Assy.	Includes adaptors & washers	Prior to '98 MY	A918E0215J	1
10a	Oil Filter, Housing Assy.	Includes adaptors, washers & blanking plug	'98 MY on	A918E0347J	1
11	'O' Ring, oil filter housing to block, lower	Also see 40.02a		A918E6023F	1
12	'O' Ring oil filter housing to block, upper	Also see 40.02a		A918E6025F	1
13	Bolt, M8 x 35, hex. hd., oil filter housing to block			A075W2038F	2
14	Bolt, M8 x 45, hex. hd., oil filter housing to block			A075W2040Z	2
15	Washer, flat, M8 x 16.6 x 1.4, oil filter housing to block			A075W4020Z	4
16	Adaptor, oil filter			A918E0104F	1
17	Oil Filter			C907E6000W	1
18	Bolt, M8 x 30, hex. hd., cover to block			A075W2037Z	8
19	Washer, flat, M8 x 16.6 x 1.4, cover to block			A075W4020Z	13

---

**Function Code 40.15b Lubrication System, V8**

<u>Dep</u>	<u>Part Description</u>	<u>Remarks</u>	<u>Option</u>	<u>Part Number</u>	<u>Qty</u>
20	Screw, M8 x 25, csk. skt.. cover to block			SCF08025F	1
21	Setscrew, M6 x 25, hex. hd., cover to block			A075W1031F	8
22	Washer, flat, M6 x 12.1 x 1.4, cover to block			A075W4013Z	9
23	Setscrew, M6 x 20, hex. hd., cover to block			A075W1030Z	1
24	Bolt, M8 x 65, hex. hd., cover to block			A075W2044Z	5
25	Overhaul Kit, oil pump	Not illustrated		A918E0404S	1



**ESPRIT**  
**40.17b**



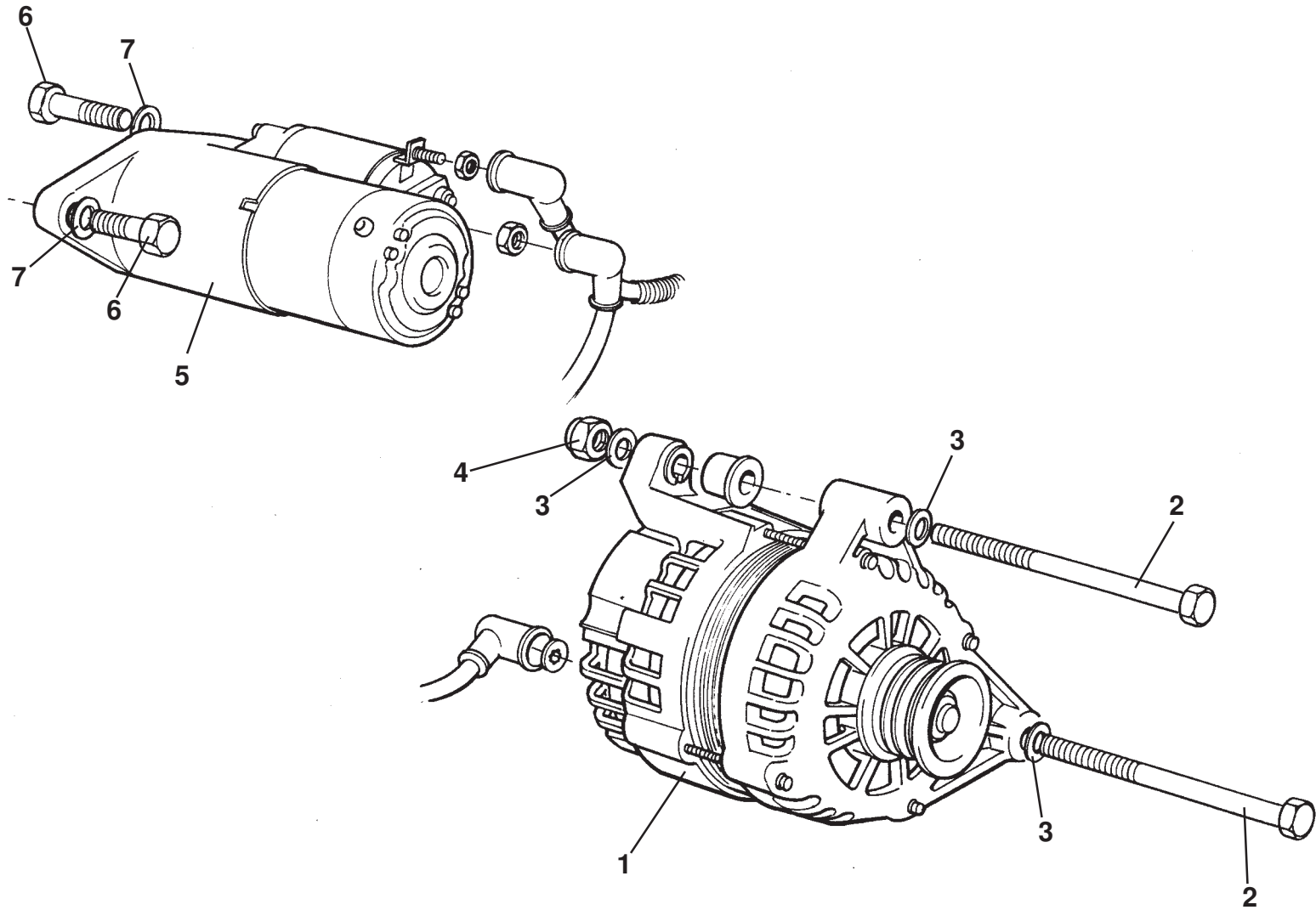
# Service Parts List *V8*



## Function Code 40.17b Ignition System, Spark plugs, Leads, V8

<u>Dep</u>	<u>Part Description</u>	<u>Remarks</u>	<u>Option</u>	<u>Part Number</u>	<u>Qty</u>
01	HT Lead Set	One per cylinder bank/coil pack		A918E0095F	2
01a	Plug Lead No.1	Part of item 1		A918E0096H	2
01b	Plug Lead No.2	Part of item 1		A918E0097H	2
01c	Plug Lead No.3	Part of item 1		A918E0098H	2
01d	Plug Lead No.4	Part of item 1		A918E0099H	2
02	Spark Plug			A918E6039F	8
03	Breather Cover/Mounting Bracket, coil packs			A918E0136F	1
04	Coil Pack	One per cylinder bank		A918E6009F	2
05	Bolt, M6 x 30, hex. hd., coil to breather cover fix			A075W1032Z	8

*V8*



ESPRIT  
40.19b

*Updated 28th January 2011*

# Service Parts List



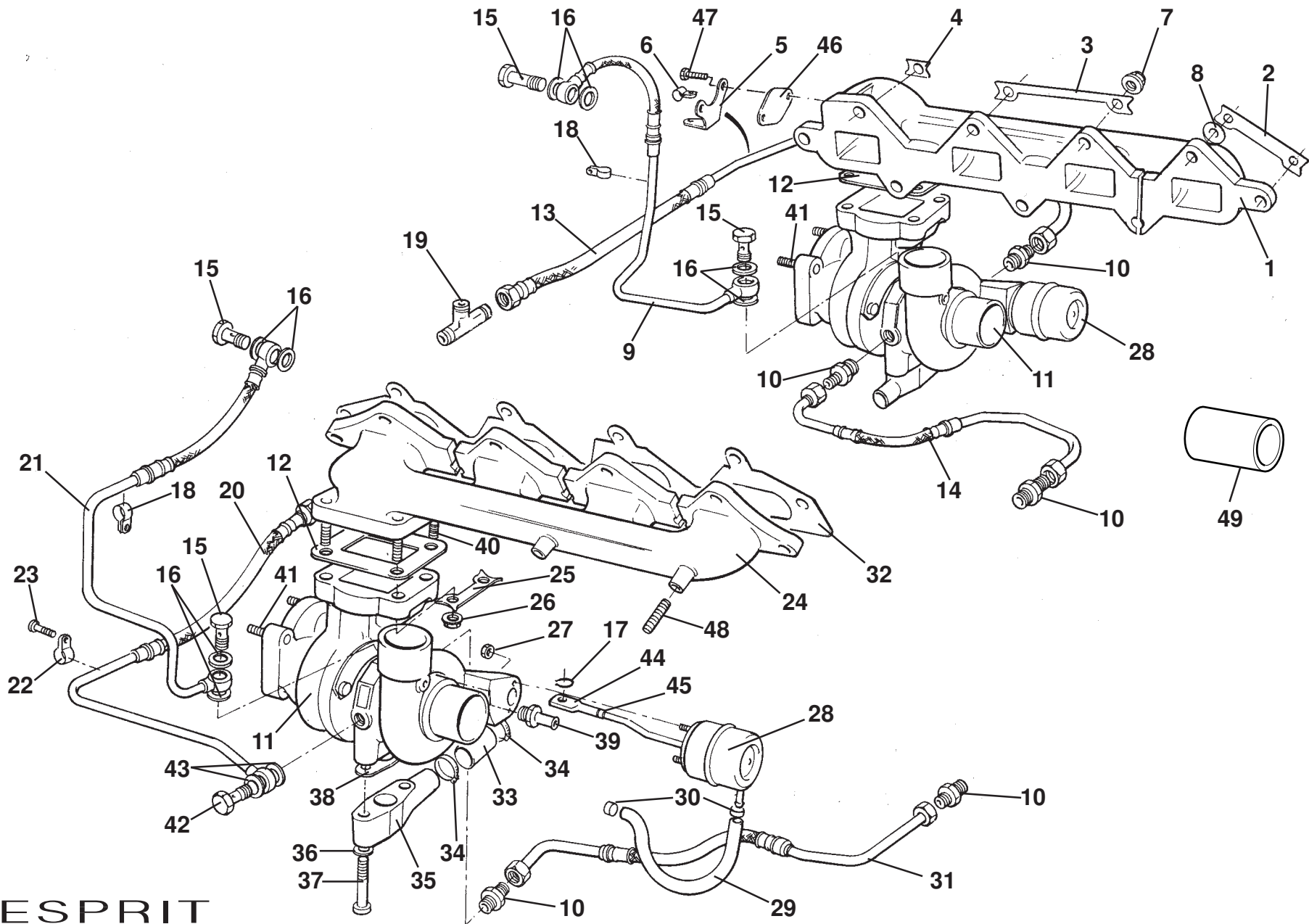
## Function Code 40.19b Alternator and Starter Motor, V8

<u>Dep</u>	<u>Part Description</u>	<u>Remarks</u>	<u>Option</u>	<u>Part Number</u>	<u>Qty</u>
01	Alternator, 100A			A918E6013F	1
02	Bolt, M10 x 130, hex. hd., alternator fixing			A075W2065F	2
03	Washer, flat, M10, alternator fixing			A075W4024Z	4
04	Nut, M10, alternator fixing			A075W3011Z	2
05	Starter Motor	Return to Lotus via dealer for recon		A918E0198R	1
06	Bolt, M10 x 25, hex. hd. starter fixing			A075W1048Z	2
07	Washer, flat, M10, starter fixing			A075W4024Z	2



Function Code: 40.19b, Page: 1

*Updated 28th January 2011*



**ESPRIT  
40.21b**

*Updated 6th February 2013*

# Service Parts List



## Function Code 40.21b Exhaust Manifolds & Turbochargers, V8

<u>Dep</u>	<u>Part Description</u>	<u>Remarks</u>	<u>Option</u>	<u>Part Number</u>	<u>Qty</u>
01	Exhaust Manifold, LH			B918E0155K	1
02	Locking Plate, exhaust manifold	2 off RH, 1 off LH		A918E0260F	3
03	Locking Plate, exhaust manifold	1 off RH, 2 off LH		A918E0259F	3
04	Locking Plate, exhaust manifold	3 off RH & LH		A918E0258F	6
05	Bracket Assembly, turbo coolant return pipe, LH			A918E0275F	1
06	'P' clip, 10/12mm			A918W6577F	1
07	Locknut, M8, copper, manifold to head			A075W3035Z	18
08	Washer, flat, M8 x 20			A079W4019F	18
09	Pipe Assembly, turbo oil feed, LH			A918E0187F	1
10	Adaptor, coolant pipes			A918E6088F	5
11	Turbocharger		A918E0060F R/B	B918E0060F	2
12	Gasket, turbo to manifold	Also see 40.02		A918E0025F	2
13	Pipe Assembly, turbo coolant return, LH			A918E0191F	1
14	Pipe Assembly, turbo coolant feed, LH			A918E0190F	1
15	Banjo Bolt, coolant pipes banjo fix.			A918E6086F	4
16	Washer, copper, coolant pipes banjo fix.			A918E6087F	8
17	Circlip, wastegate rod end retention			A910E7032S	2
18	'P' Clip, 8mm			A918W6578F	2



**Function Code 40.21b Exhaust Manifolds & Turbochargers, V8**

<u>Dep</u>	<u>Part Description</u>	<u>Remarks</u>	<u>Option</u>	<u>Part Number</u>	<u>Qty</u>
19	'T' Piece, turbocharger coolant return			A918E0280F	2
20	Pipe Assembly, turbo coolant return, RH			A918E0189F	1
21	Pipe Assembly, turbo oil feed, RH			A918E0194F	1
22	'P' Clip, 10/12mm			A918W6577F	2
23	Bolt, M5 x 10, hex. hd., clip fixing			A100W1105F	4
24	Exhaust Manifold, RH			A918E0156K	1
25	Locking Plate, turbocharger fixing			A918E0262F	4
26	Nut, M10 x 1.5, kayloc, turbo to manifold			A918W3158F	8
27	Nut, M6, capsule to turbo			A075W3020Z	4
28	Waste Gate Capsule			A918E6078S	2
29	Hose, 420mm, wastegate capsule			A918E0276F	2
30	Clip, hose securing			A918W6565F	4
31	Pipe Assembly, turbo coolant feed, RH			A918E0188F	1
32	Gasket, exhaust manifold to head	Also see 40.02		A918E0028F	2
33	Hose, sump to turbocharger, RH (long)			A918E0181F	1
33a	Heatshield, 22mm OD, turbo oil drain hose protector	Not illustrated		A918E6071V	70mm
34	Clip, hose to turbocharger			B907E6085Z	4
35	Elbow, turbo oil drain			A918E0145K	2
36	Washer, flat, M8 x 17			A075W4020Z	4
37	Bolt, M8 x 40, hex. hd., elbow to turbo			A075W2039D	4
38	Gasket, elbow to turbo			A918E0030F	2

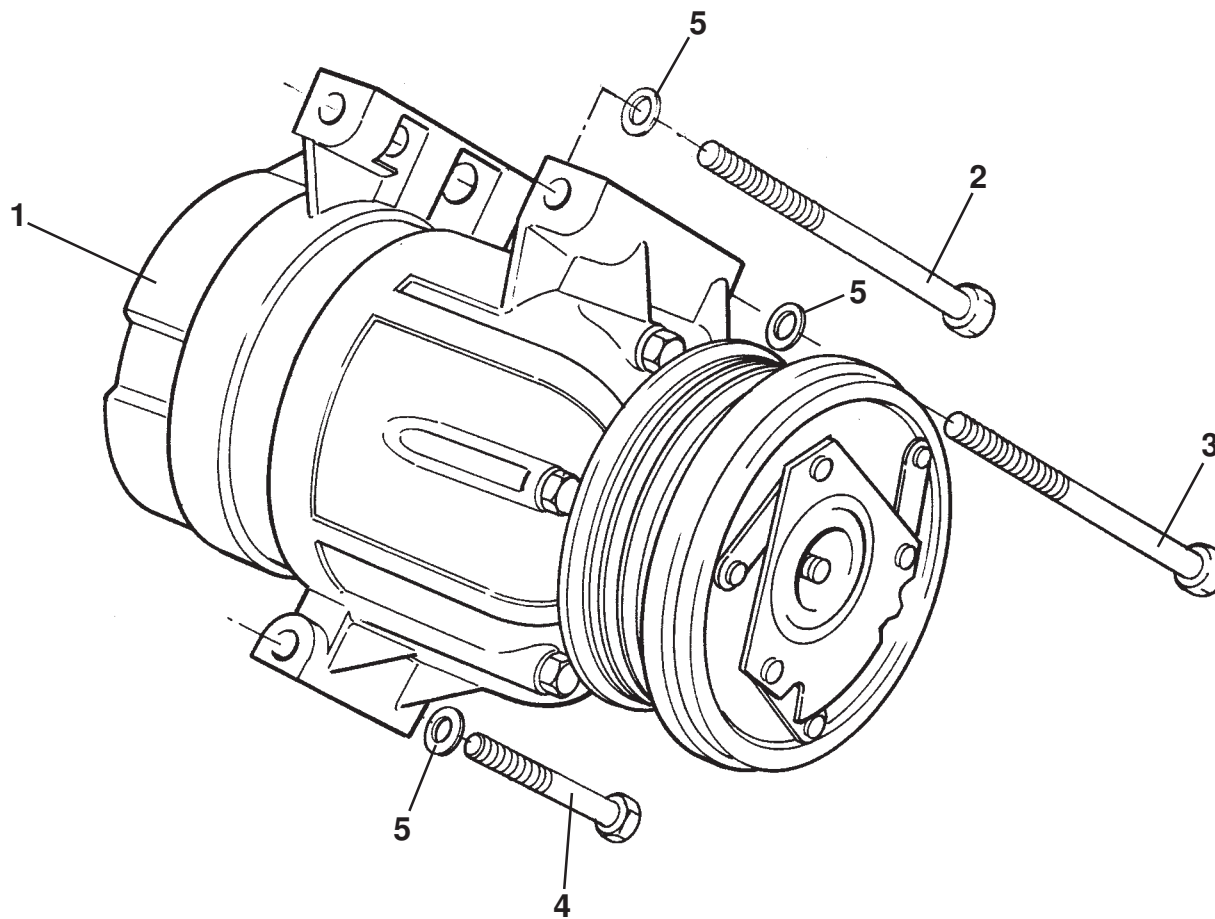
18

---

**Function Code 40.21b Exhaust Manifolds & Turbochargers, V8**

<u>Dep</u>	<u>Part Description</u>	<u>Remarks</u>	<u>Option</u>	<u>Part Number</u>	<u>Qty</u>
39	Pipe Adaptor			A918E6089F	2
40	Stud, manifold to turbo, M10 x 34	Part of items 1 & 24		A918E0121F	8
41	Stud, M10 x 38. turbo to exhaust	Part of item 11		A918E6082S	6
42	Banjo Bolt, coolant pipe to turbo, RH			A918E6064F	1
43	Washer, copper, coolant pipe to turbo, RH			A918E6090F	1
44	Rod End, wastegate capsule			A918E6091S	2
45	Locknut, rod end wastegate capsule			A918E6092S	2
46	Blanking Plate, EGR hole, manifold, LH		Non EGR cars	A918E6079F	1
47	Bolt, M6 x 16, hex. hd., plate to manifold, LH		Non EGR cars	A918W1152F	2
48	Stud, M6 x 25, manifold to heatshield	For nut see 45.05		A918E0329F	4
49	Hose, sump to turbocharger, LH (short)			A918E0182F	1

---



**ESPRIT**  
**40.23b**

*Updated 28th January 2011*



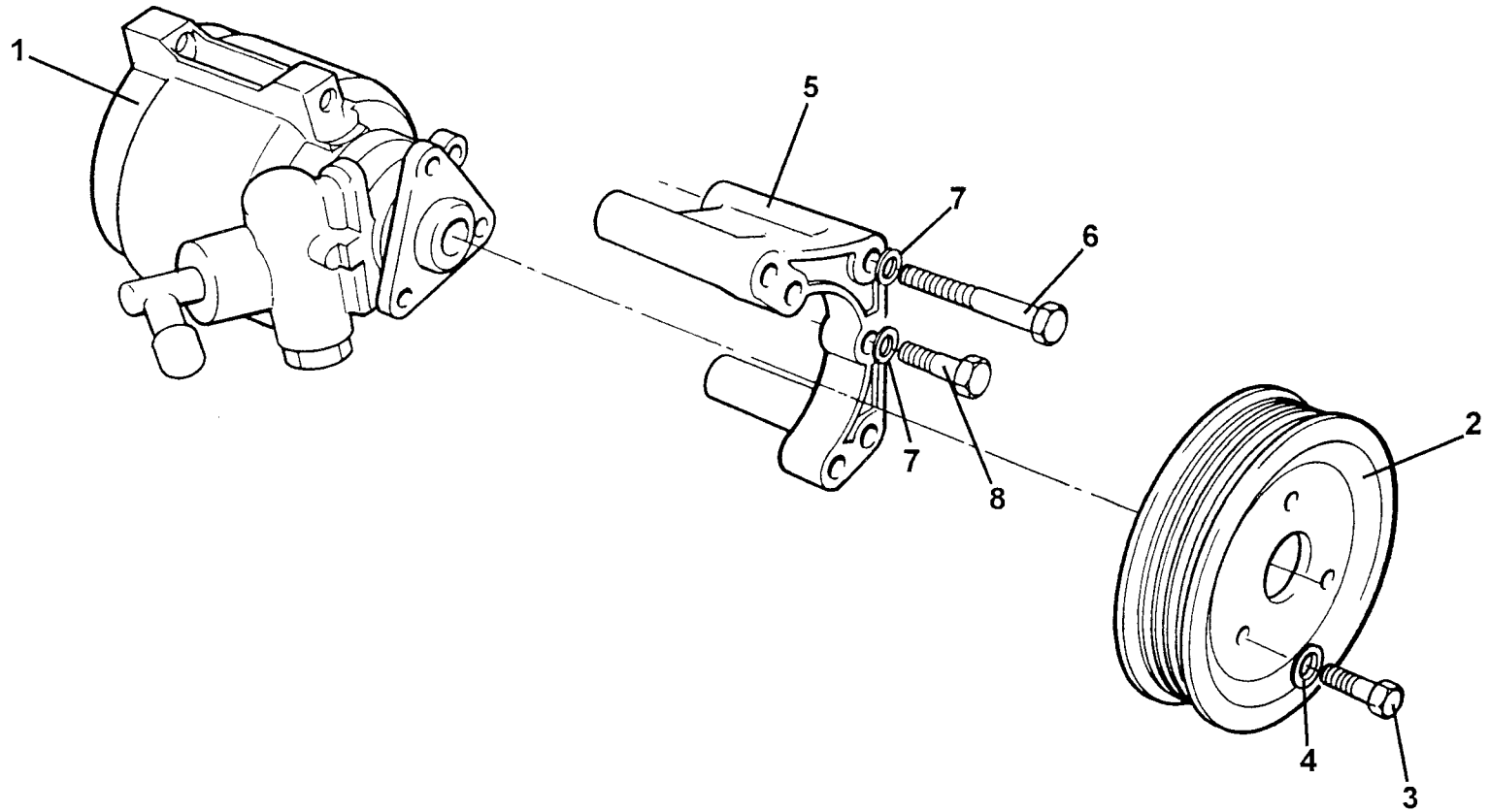
# Service Parts List *V8*



## Function Code 40.23b AC Compressor, V8

<u>Dep</u>	<u>Part Description</u>	<u>Remarks</u>	<u>Option</u>	<u>Part Number</u>	<u>Qty</u>
01	Compressor, A.C. with pulley	Type 1135153		A082P4389F	1
02	Bolt, M10 x 120, hex. hd.,compressor to block			A075W2064Z	1
03	Bolt, M10 x 110, hex. hd.,compressor to block			A100W2117F	1
04	Bolt, M10 x 90, hex. hd.,compressor to block			A075W2060F	1
05	Washer, flat, M10, compressor to block			A075W4024Z	3

*V8*

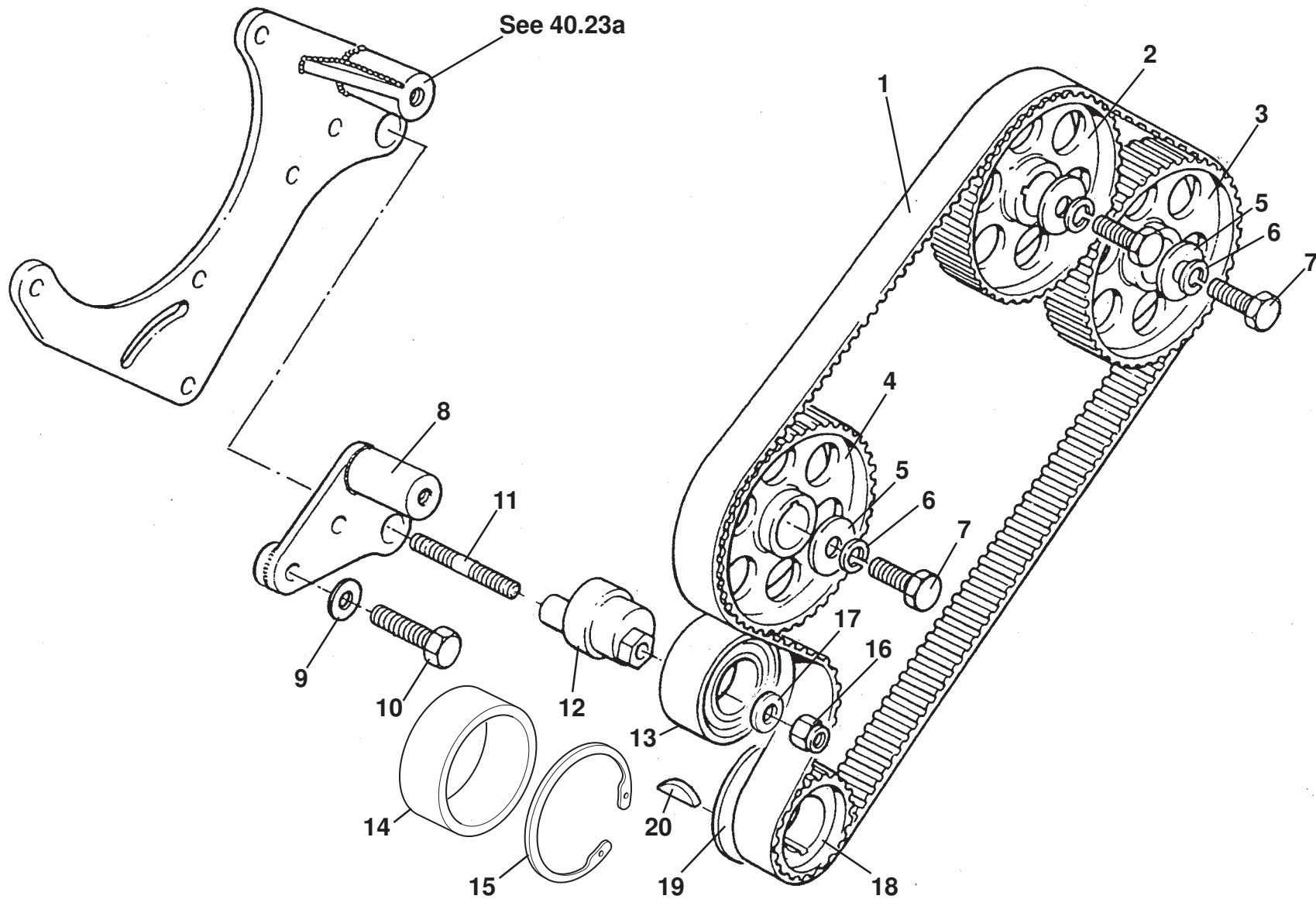


ESPRIT  
40.25a

---

**Function Code 40.25a Power Steering Pump, Pulley, Mounts & Fixings, V8**

<u>Dep</u>	<u>Part Description</u>	<u>Remarks</u>	<u>Option</u>	<u>Part Number</u>	<u>Qty</u>
01	Pump, power assisted steering			A918E0300K	1
02	Pulley, PAS pump			B918E0071F	1
03	Bolt, M8 x 16, hex. hd., pulley to pump			A075W1036Z	3
04	Washer, M8 x 16.6, pulley to pump			A075W4020F	3
05	Bracket, pump mounting			A918E0148F	1
06	Bolt, 5/16" x 2.25", hex. hd., bracket to LH head			A075W2024F	3
07	Washer, flat, M8 x 16.6			A075W4020F	6
08	Bolt, M8 x 30, hex. hd., pump to bracket			A075W2037Z	3



**ESPRIT**  
**41.01b**

*Updated 6th February 2013*

# Service Parts List



## Function Code 41.01b Camshaft Drive Belt, GT3

<u>Dep</u>	<u>Part Description</u>	<u>Remarks</u>	<u>Option</u>	<u>Part Number</u>	<u>Qty</u>
01	Camshaft Drive Belt			B912E6697F	1
02	Camshaft Drive Pulley, inlet, 2.0 litre	Red dots 110 deg. MOP	Except Australia	C910E2186F	1
02a	Camshaft Drive Pulley, inlet, 2.2 litre	Green dots 104 deg. MOP	Australia only	A912E2019F	1
03	Camshaft Drive Pulley, exhaust, 2.0 litre	Red dots 110 deg. MOP	Except Australia	C910E2186F	1
03a	Camshaft Drive Pulley, exhaust, 2.2 litre	Blue dots 100 deg. MOP	Australia only	B910E2169F	1
04	Auxiliary Shaft Drive Pulley			A912E2019F	1
05	Washer, pulley to shaft			A907E6026Z	3
06	Washer, spring, pulley to shaft			A075W4037Z	3
07	Bolt, M10 x 35, pulley to shaft			A075W2015Z	3
07a	Permabond A131, bolt securing			A912E7034V	As req.
08	Bracket, belt tensioner to block			C912E2275F	1
09	Washer, flat, M10, bracket to block			A075W4024Z	2
10	Bolt, M10 x 45, bracket to block			A075W2053Z	2
11	Stud, M10, tensioner fixing			B907E0504K	1
11a	Permabond A134, stud securing			A100B6155V	As req.
12	Eccentric Hub, belt tensioner			A912E2176F	1
13	Pulley/Bearing, belt tensioner			A907E6249F	1
13a	Belt Adjuster Assembly	Not illus., includes items 12 to 15	2.0 litre only	A920E0026J	1

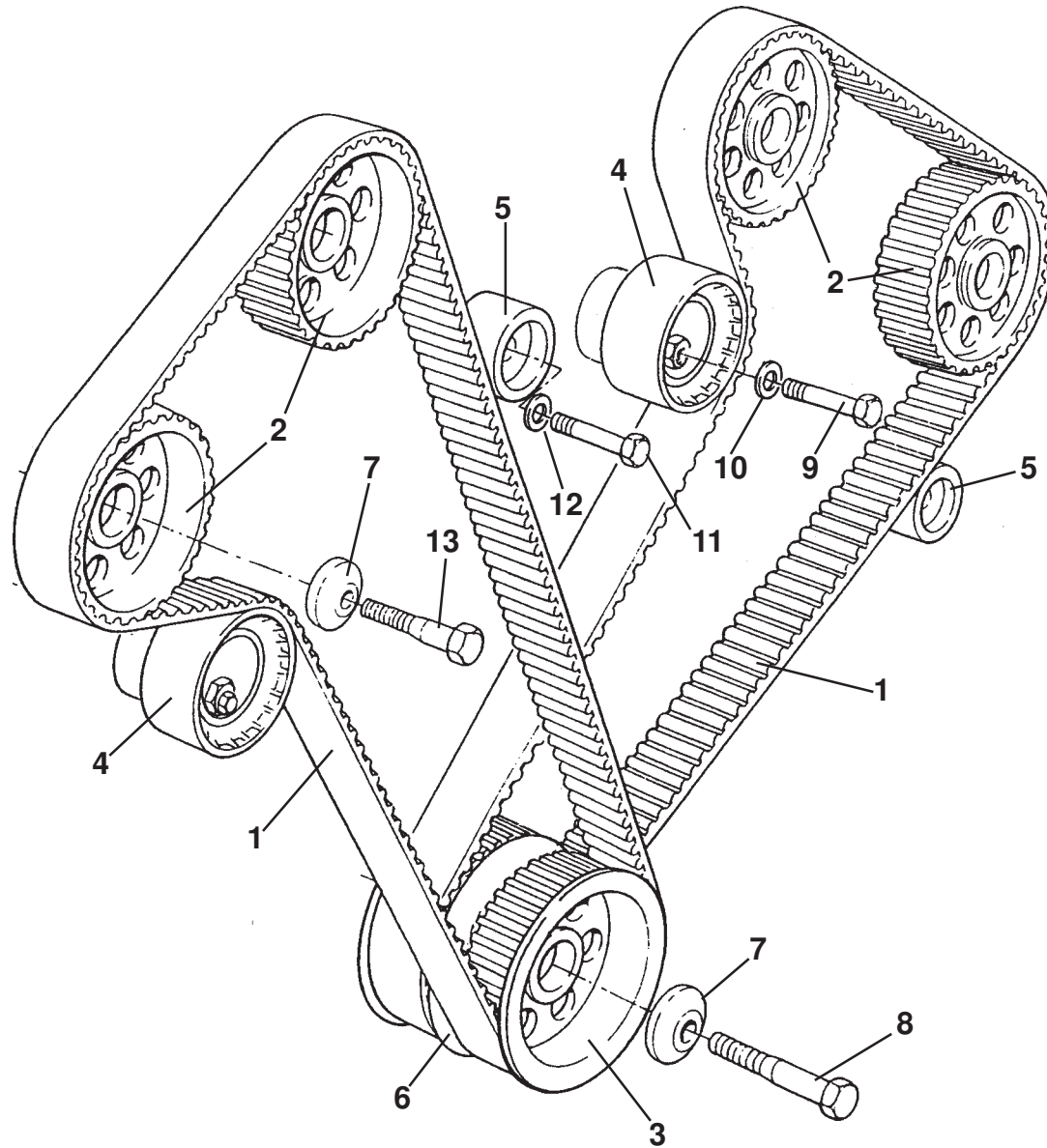


---

**Function Code 41.01b Camshaft Drive Belt, GT3**

<u>Dep</u>	<u>Part Description</u>	<u>Remarks</u>	<u>Option</u>	<u>Part Number</u>	<u>Qty</u>
14	Sleeve, tensioner pulley diameter increasing		2.0 litre only	A920E0020F	1
15	Circlip, sleeve to pulley/bearing		2.0 litre only	A920E6006F	1
16	Nyloc Nut, M10, hub fixing			A075W3011Z	1
17	Washer, flat, M10, hub fixing			A075W4024Z	1
18	Cam Belt Drive Pulley, crankshaft, 2.0 litre		Except Australia	A920E0013F	1
18a	Cam Belt Drive Pulley, crankshaft, 2.2 litre		Australia only	A912E2018F	1
19	Flange, drive pulley rear			A907E0096Z	1
20	Woodruff Key, pulley to crankshaft			A907E6016Z	1





**ESPRIT**  
**41.01c**

# Service Parts List

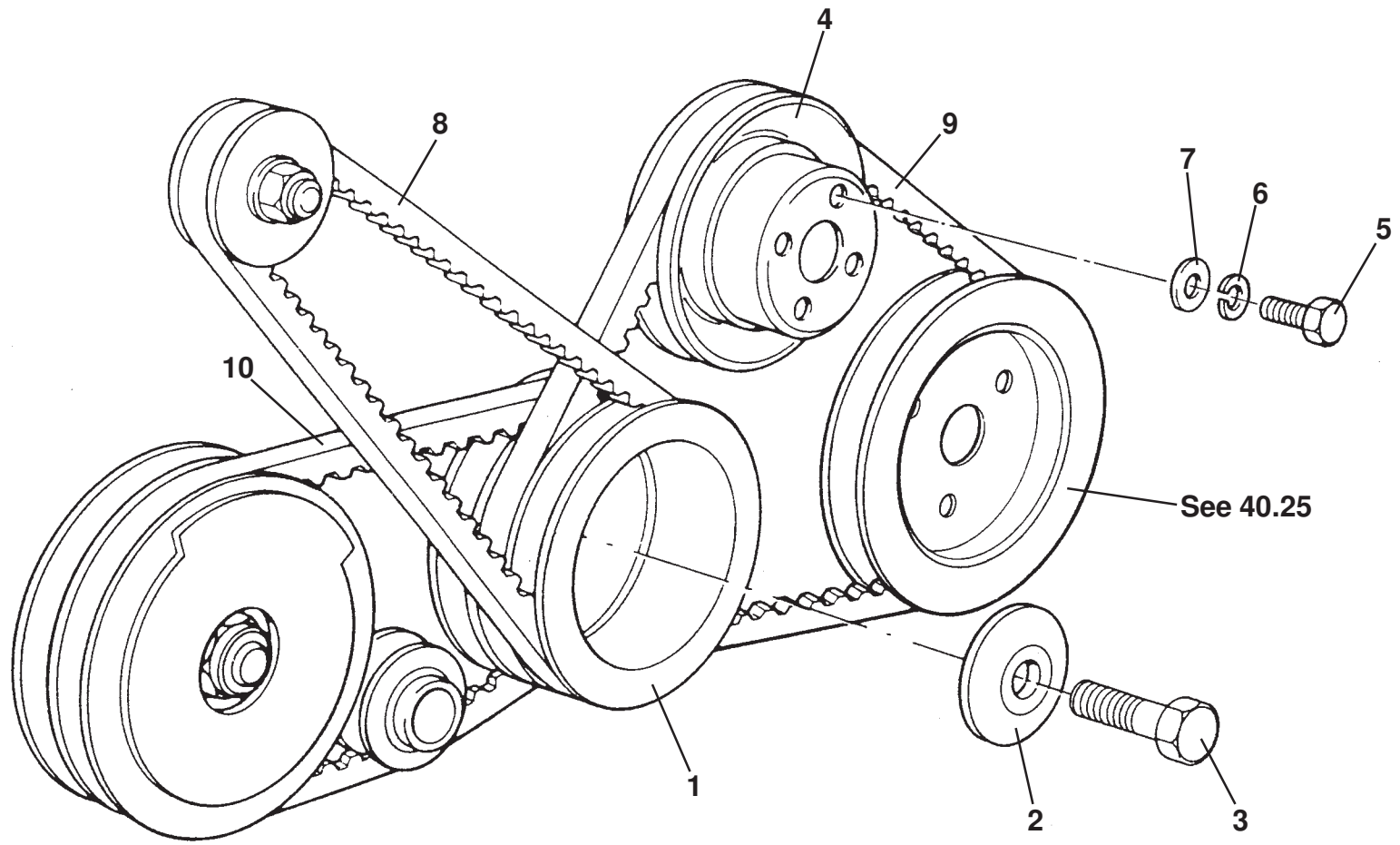


## Function Code 41.01c Camshaft Drive Belts, V8

<u>Dep</u>	<u>Part Description</u>	<u>Remarks</u>	<u>Option</u>	<u>Part Number</u>	<u>Qty</u>
01	Belt Toothed camshaft drive 108 tooth 3/8 pitch	See S/B 1997/20		C918E0298F	2
02	Pulley, camshaft drive			A918E0294F	4
03	Pulley Assembly, primary shaft			B918E0295J	2
04	Tensioner Assembly, timing belt			C918E0297J	2
04a	Tensioner Hub, 30mm O/D			D918E0293F	2
04b	Tensioner Drum, 74mm O/D, 30mm I/D			C918E6066F	2
05	Pulley, idler			A918E0219F	2
06	Flange/spacer, primary shaft			B918E0296F	1
07	Washer, special, M12, pulley to shaft/camshaft			A918E0102F	5
08	Bolt, M12 x 65, hex. hd., pulley to shaft			A918W5225F	1
09	Bolt, M8 x 60, hex. hd., tensioner to head			A918W2180F	2
10	Washer, flat, M8, tensioner to head			A079W4019F	2
11	Bolt, M10 x 40, hex. hd., idler to head			A075W2052Z	2
12	Washer, flat, M10, idler to head			A918E0269Z	2
13	Bolt, M12 x 70, hex. hd., pulley to camshaft		A918W2173F R/B	A918W5225F	4







ESPRIT  
41.03a

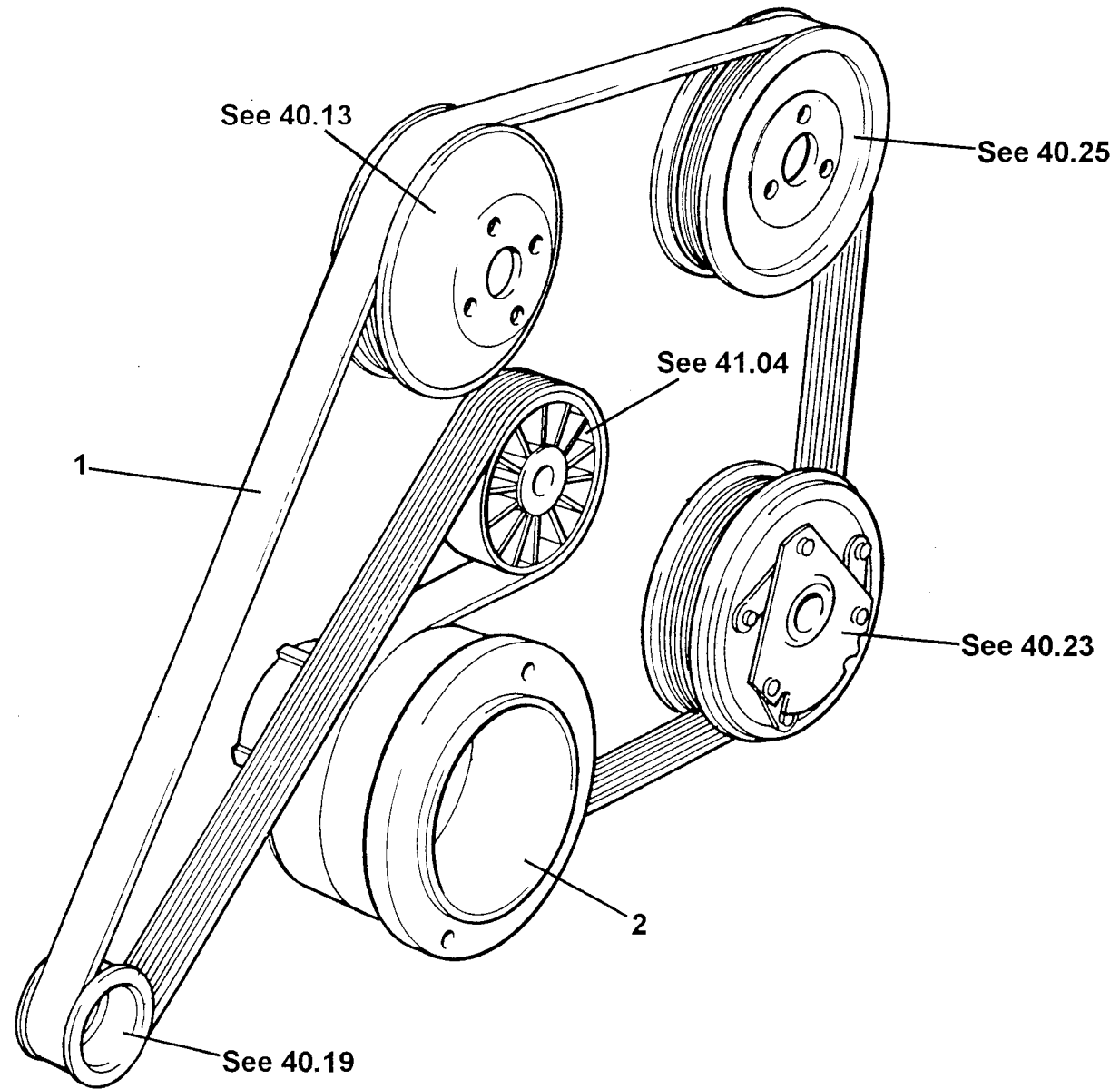
# Service Parts List



## Function Code 41.03a Auxiliary Drive Belts & Pulleys, GT3

<u>Dep</u>	<u>Part Description</u>	<u>Remarks</u>	<u>Option</u>	<u>Part Number</u>	<u>Qty</u>
01	Auxiliary Drive Pulley, crankshaft			A907E1193F	1
02	Washer, conical, pulley retention			B907E1106F	1
03	Setscrew, 0.5" x 1.5" UNF, hex. hd., pulley retention			A075W1020Z	1
04	Water Pump Drive Pulley			A910E7019F	1
05	Setscrew, M8 x 12, pulley to hub			A075W1035Z	4
06	Washer, spring, M8, pulley to hub			A075W4036Z	4
07	Washer, flat, M8 x 16.6 x 1.4, pulley to hub			A075W4020Z	4
08	Drive Belt, alternator			A907E6332F	1
09	Drive Belt, water pump & PAS pump			A910E6638F	1
10	Drive Belt, AC compressor		AC cars	A910E6656F	1





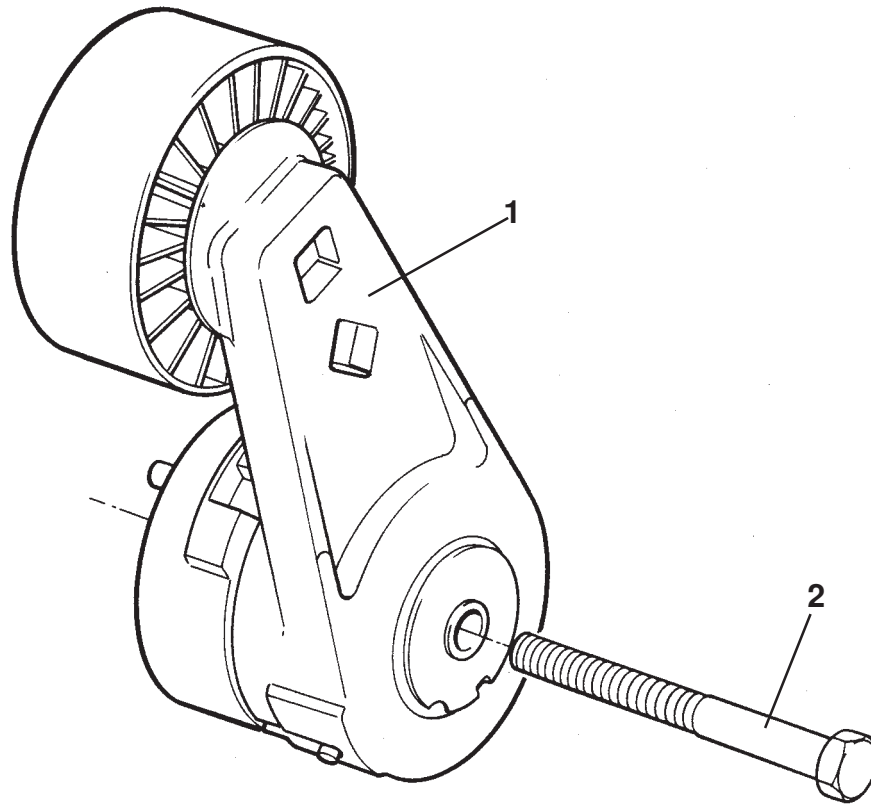
**ESPRIT**  
**41.03b**

---

**Function Code 41.03b Auxiliary Drive Belts & Pulleys, V8**

<u>Dep</u>	<u>Part Description</u>	<u>Remarks</u>	<u>Option</u>	<u>Part Number</u>	<u>Qty</u>
01	Belt, ancillary drive			B918E0069F	1
02	Ancillary Drive Pulley/Vibration Damper			A918E0039F	1

---



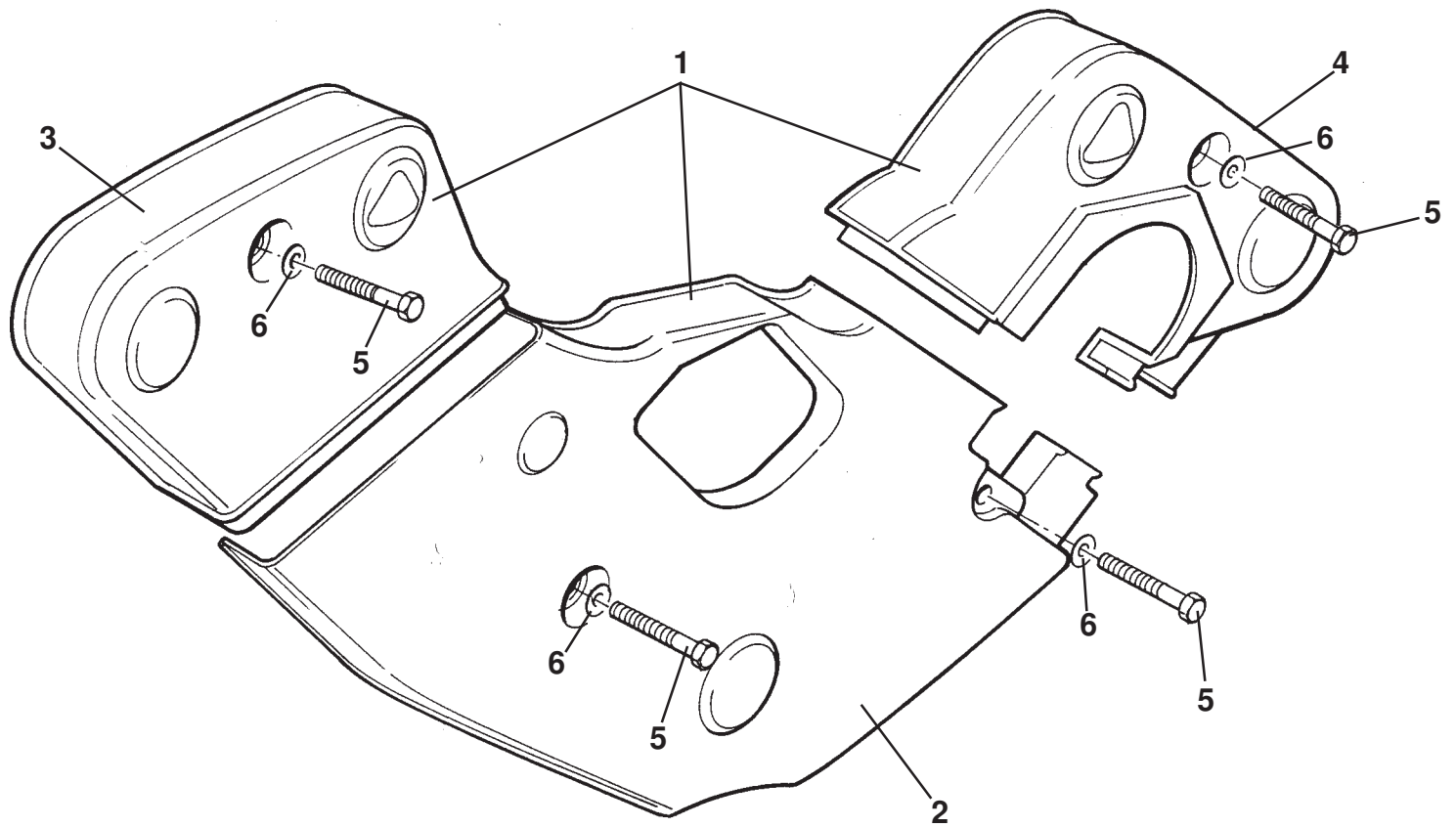
ESPRIT  
41.04

---

**Function Code 41.04 Auxiliary Belt Tensioner, V8**

<u>Dep</u>	<u>Part Description</u>	<u>Remarks</u>	<u>Option</u>	<u>Part Number</u>	<u>Qty</u>
1	Tensioner, ancillary drive belt			A918E0175F	1
2	Bolt, M10 x 80, hex. hd., tensioner to engine			A075W2061Z	1

---



ESPRIT  
41.05

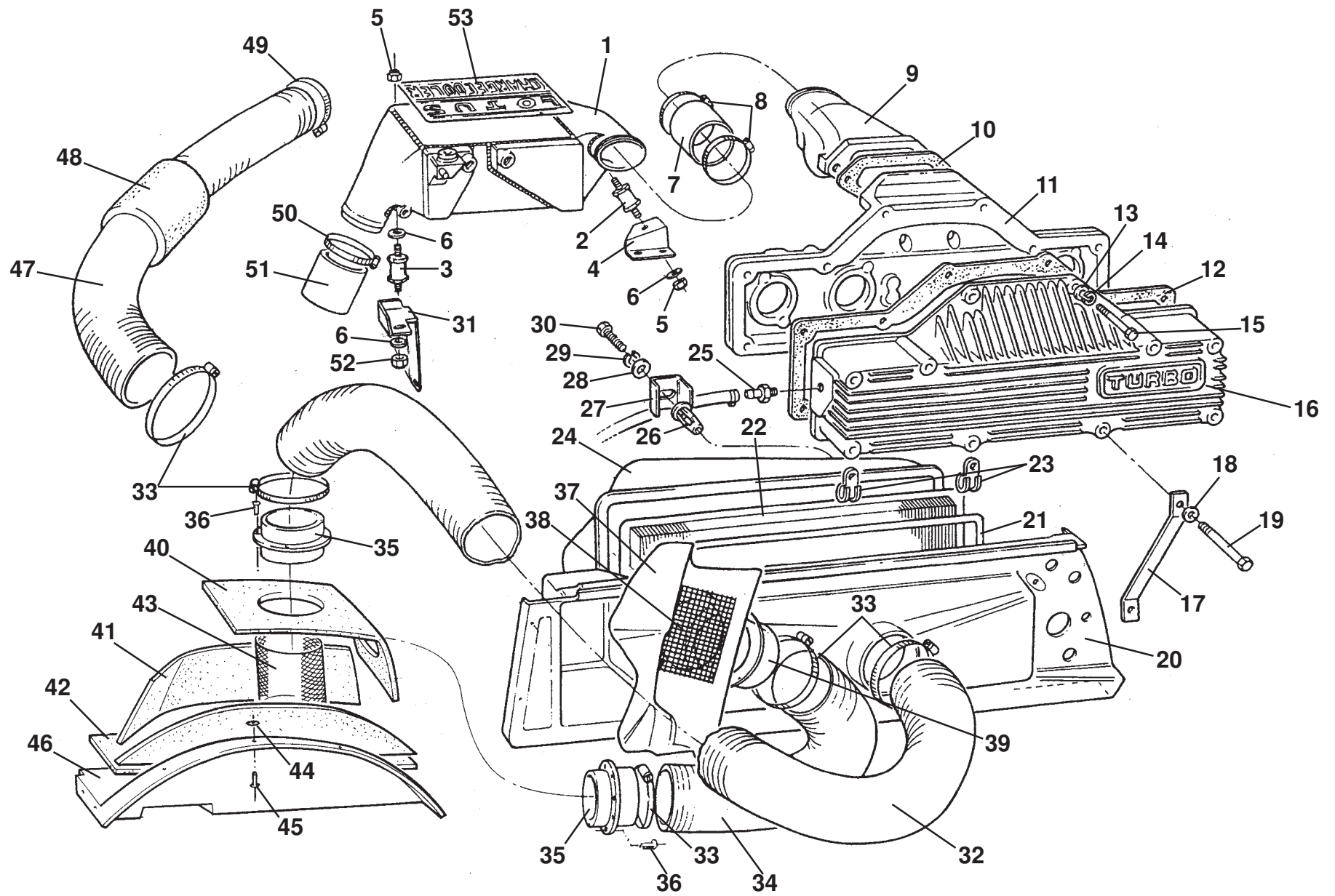
# Service Parts List



## Function Code 41.05 Belt Guards, V8

<u>Dep</u>	<u>Part Description</u>	<u>Remarks</u>	<u>Option</u>	<u>Part Number</u>	<u>Qty</u>
01	Cover Assembly, timing belts	Comprises items: 2, 3 & 4		A918E0242F	1
02	Cover, timing belts, centre section			A918E0241H	1
03	Cover,timing belt, RH section			A918E0240H	1
04	Cover, timing belt, LH section			A918E0239H	1
05	Bolt, M6 x 55, hex hd., covers to engine			A075W2034Z	4
06	Washer, flat, M6 x 12.5, covers to engine			A075W4013Z	4





ESPRIT  
42.01a

# Service Parts List



## Function Code 42.01a Airboxes, Trunking, Air Filters & Chargecooler, GT3

<u>Dep</u>	<u>Part Description</u>	<u>Remarks</u>	<u>Option</u>	<u>Part Number</u>	<u>Qty</u>
01	Chargecooler Assembly	Includes Decal Plate, item 53		C910E9270J	1
01a	Spigot, chargecooler air bleed, 6mm	Not illustrated		A912E2623F	1
02	Rubber Mounting, chargecooler, front			A910E2564K	1
03	Rubber Mounting, chargecooler rear			A910E7000F	1
04	Mounting Bracket, chargecooler, front			A910E2451K	1
05	Nyloc Nut ,M8, chargecooler to front bracket			A075W3010Z	1
06	Washer, flat, M8 x 16, chargecooler fixing			A075W4020Z	3
07	Hose, chargecooler to plenum nozzle			A910E2543F	1
08	Hose Clip, chargecooler outlet hose			A910E7004F	2
09	Plenum Nozzle			A910E2434K	1
10	Gasket, nozzle to backplate			A910E1474F	1
11	Plenum Backplate			A910E9257J	1
12	Gasket, plenum backplate			A910E1475F	1
13	Washer, flat, M8 x 16			A075W4020Z	2
14	Washer, spring, M8			A075W4036Z	2
15	Bolt, M8 x 55, hex. hd., cover to backplate			A075W4036Z	2
16	Cover, intake plenum			B910E2198F	1
17	Stay, plenum to engine mounting			A910E2444F	1



**Function Code 42.01a Airboxes, Trunking, Air Filters & Chargecooler, GT3**

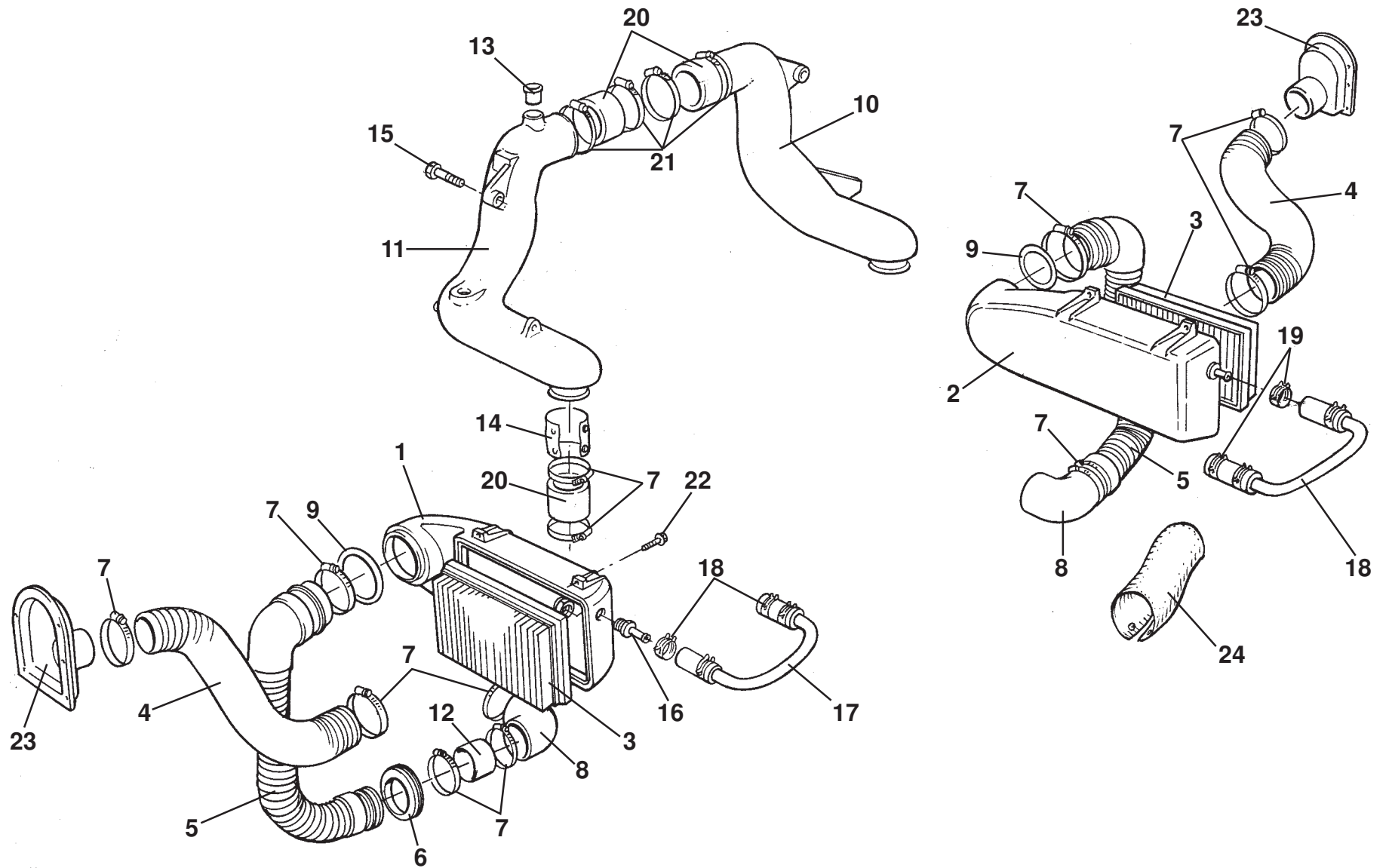
<u>Dep</u>	<u>Part Description</u>	<u>Remarks</u>	<u>Option</u>	<u>Part Number</u>	<u>Qty</u>
18	Washer, flat, M8 x 16, cover to backplate			A075W4020Z	8
19	Bolt, M8 x 80, cover to backplate			A075W2045F	8
20	Engine Bay sidewall, RH			B082B4782K	1
20a	Engine Bay sidewall, LH			C082B4783K	1
21	Seal, air filter element			C907E0588Z	1
22	Air Filter Element			A907E6182Z	1
23	'P' Clip, harness fixing			A076Q6013Z	2
24	Cover, air filter			B082E4154K	1
25	Connector, boost gauge take off			A910E6771F	1
26	Rivnut, M6, cover to sidewall			A082W3092F	2
27	Clamp Bracket, cover to sidewall			A082E4158F	2
28	Washer, flat, M6 x 25, cover to sidewall			A075W4017Z	2
29	Washer, spring, M6, cover to sidewall			A075W4035Z	2
30	Setscrew, M6 x 30, hex. hd., cover to sidewall			A075W1032Z	2
31	Mounting Bracket, chargecooler rear			B910E2452F	1
32	Trunking, induction silencer to sidewall			A082B4928K	1
33	Hose Clip, 80-100 mm, hose fixing			A907E6347F	5
34	Trunking, intake duct to silencer			A082B4929K	1
35	Hose connector, induction silencer			A082B4926J	2
36	Pop Rivet, connector to body			A089W6297Z	8
37	Intake Duct, engine air intake, RH			A082B4770K	1



**Function Code 42.01a Airboxes, Trunking, Air Filters & Chargecooler, GT3**

<u>Dep</u>	<u>Part Description</u>	<u>Remarks</u>	<u>Option</u>	<u>Part Number</u>	<u>Qty</u>
38	Grille, engine air intake duct to body			A082U5945F	1
38a	Pop Rivet, grille fixing	Not illustrated		A075W6094Z	4
38b	Washer, flat, 1/8" x 3/8", pop rivet securing	Not illustrated		A075W4001Z	4
39	Adaptor, RH intake to trunking			A082B4824K	1
39a	Screw, No.8 x 3/8", pan pozi., adaptor to intake duct	Not illustrated		A075W5031Z	3
40	Liner, induction silencer upper			A082V7762K	1
41	Liner, induction silencer inboard			A082V7761K	1
42	Liner, induction silencer lower			A082V7760K	1
43	Grille, induction silencer filter			A082U7213F	1
44	Washer, pop rivet, cover to wheelarch			A075W4000Z	9
45	Pop Rvet, silencer cover to wheelarch			A089W6297F	9
46	Cover, induction silencer, wheelarch			A082B4925K	1
47	Induction Hose, airbox to turbo			F907E1089F	1
48	Foam Sleeve, hose protection			A082E4129K	1
49	Hose Clip, hose to turbo			A075L6044F	1
50	Hose, turbo to chargecooler			A910E2542F	1
51	Hose Clip, chargecooler inlet hose			A082L6198F	2
52	Aerotite Nut, M8, chargecooler to rear bracket			A075W3022Z	1
53	Decal Plate, Lotus Chargecooler			B910E2553F	1





**ESPRIT**  
**42.01b**

*Updated 2nd November 2015*

# Service Parts List



## Function Code 42.01b Airboxes, Trunking & Air Filters, V8

<u>Dep</u>	<u>Part Description</u>	<u>Remarks</u>	<u>Option</u>	<u>Part Number</u>	<u>Qty</u>
01	Air Filter Housing, RH			A918E0256J	1
02	Air Filter Housing, LH			A918E0255J	1
03	Air Filter Element			A918E6042F	2
04	Hose, air intake to filter			A918E0246F	2
05	Hose, filter to turbo			A918E0221F	2
06	Grommet, filter to turbo hose			A918E6060F	2
07	Hose Clip, 50/70mm			A100E6082F	12
08	Elbow, turbo inlet			B918E0248F	2
09	Seal ring, (white), filter housing			A918E0254F	2
10	Compressor Outlet Duct, RH			B918E0132K	1
11	Compressor Outlet Duct, LH			B918E0131K	1
12	Sleeve, compressor inlet/outlet			A918E0249F	2
13	Outlet Spigot, IAC hose			B918E0105F	1
14	Heatshield Sleeve, compressor outlet hose			B918E0264F	1
15	Bolt, M8 x 1.24 x 60, hex. hd., duct fix.			B082W1114F	1
16	Connector, 12.7mm, filter housing to breather			A918E6035F	2
17	Breather Hose Assembly, cam cover, RH	Includes spring clips, item 18		A918E0274F	1
18	Breather Hose Assembly, cam cover, LH	Includes spring clips, item 18		A918E0273F	1

Function Code: 42.01b, Page: 1

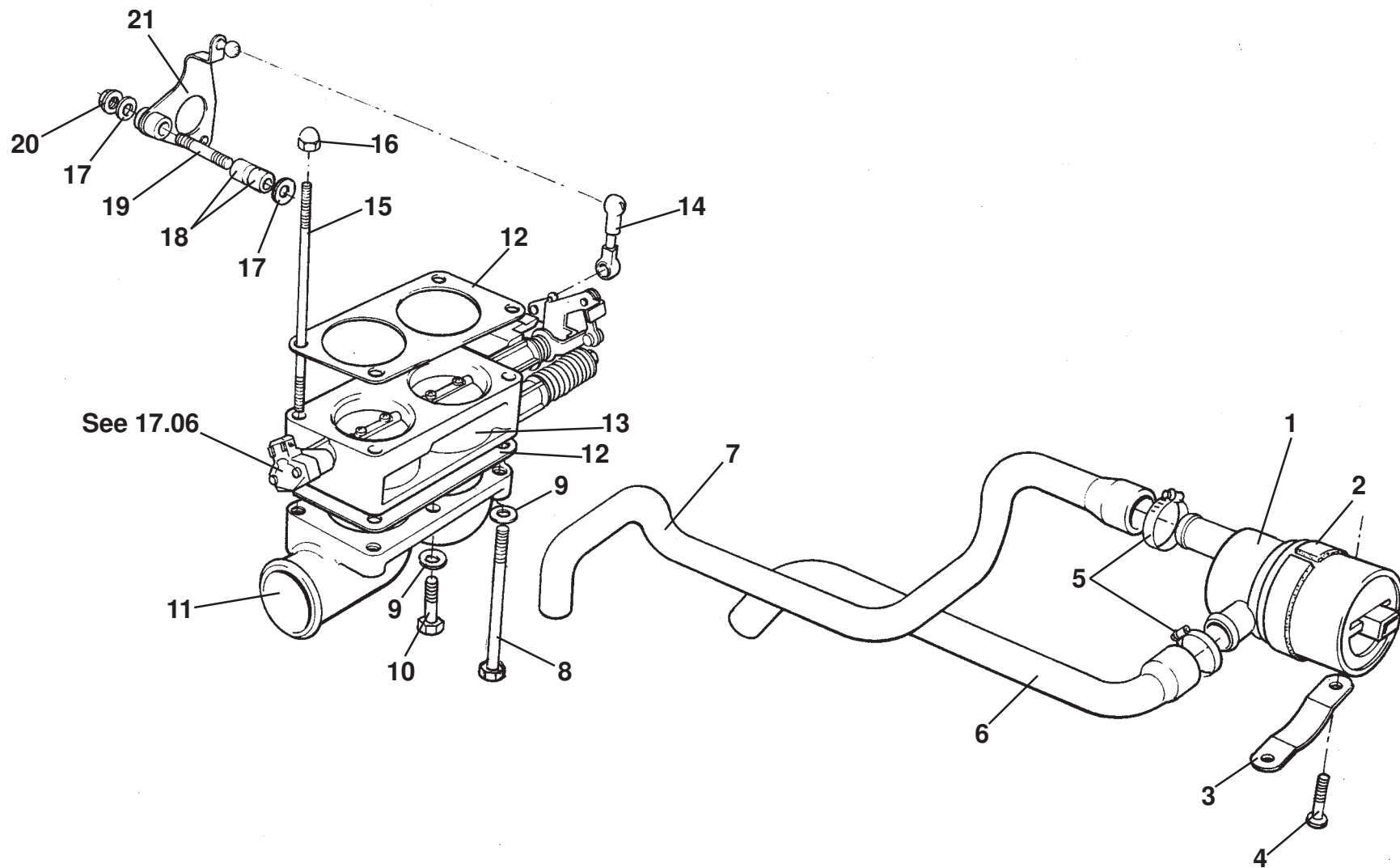
Updated 1st December 2013

---

**Function Code 42.01b Airboxes, Trunking & Air Filters, V8**

<u>Dep</u>	<u>Part Description</u>	<u>Remarks</u>	<u>Option</u>	<u>Part Number</u>	<u>Qty</u>
19	Spring Clip, breather hose assembly			<b>A082L6219F</b>	4
20	Hose, ducts to throttle body & turbos			<b>A918E0183F</b>	4
21	Hose Clip, 40-60mm			<b>A910E6829F</b>	4
22	Bolt, M5 x 30, flg. hex. hd., filter housing fix.			<b>A918W5209F</b>	10
23	Air Intake Duct			<b>A082B5336K</b>	2
24	Protective Sleeve, inlet trunking, LH	See service Bulletin 2003/05	From VIN: 0515	<b>A082V9146K</b>	1
25	Finisher Air Intake Duct	Not illustrated		<b>A082B5338K</b>	2

---



ESPRIT  
42.04a



# Service Parts List



## Function Code 42.04a Throttle Body, Mechanism & IAC Valve, V8

<u>Dep</u>	<u>Part Description</u>	<u>Remarks</u>	<u>Option</u>	<u>Part Number</u>	<u>Qty</u>
01	Idle Air Control Valve (IAC)			A918E6011F	1
02	Rubber Sleeve, IAC to clamp	Cut to length		A918E0179F	1
03	Clamp, IAC to plenum			A918E0180F	1
04	Bolt, M6 x 16, hex. hd., clamp to plenum			A075W1027Z	2
05	Hose Clip, 20/32, hoses to IAC			B907E6085Z	4
06	Hose, IAC. to EGR manifold			A918E0185F	1
07	Hose IAC to compressor duct			A918E0186F	1
08	Bolt, M6 x 100, hex. hd throttle body/intake to plenum			A075W2049Z	2
09	Washer flat, M8 x 16.6, intake to throttl body			A075W4020Z	4
10	Bolt, M8 x 20, hex. hd., intake to throttle body			A075W1038Z	2
11	Intake Elbows			B918E0139K	1
12	Gasket, throttle body to			A918E0026F	2
13	Throttle Body Assembly			C918E0074F	1
14	Drop Link, throttle Linkage			A918E6051F	1
15	Stud, M8, throttle body/intake elbows to plenum			A918E0197F	2
16	Dome Nut, M8, stud to plenum			A918W3145F	2
17	Washer, M6, flat			A918E6047F	1
18	Bearing, throttle lever pivot			A918E6049F	2

Function Code: 42.04a, Page: 1

Updated 2nd February 2015

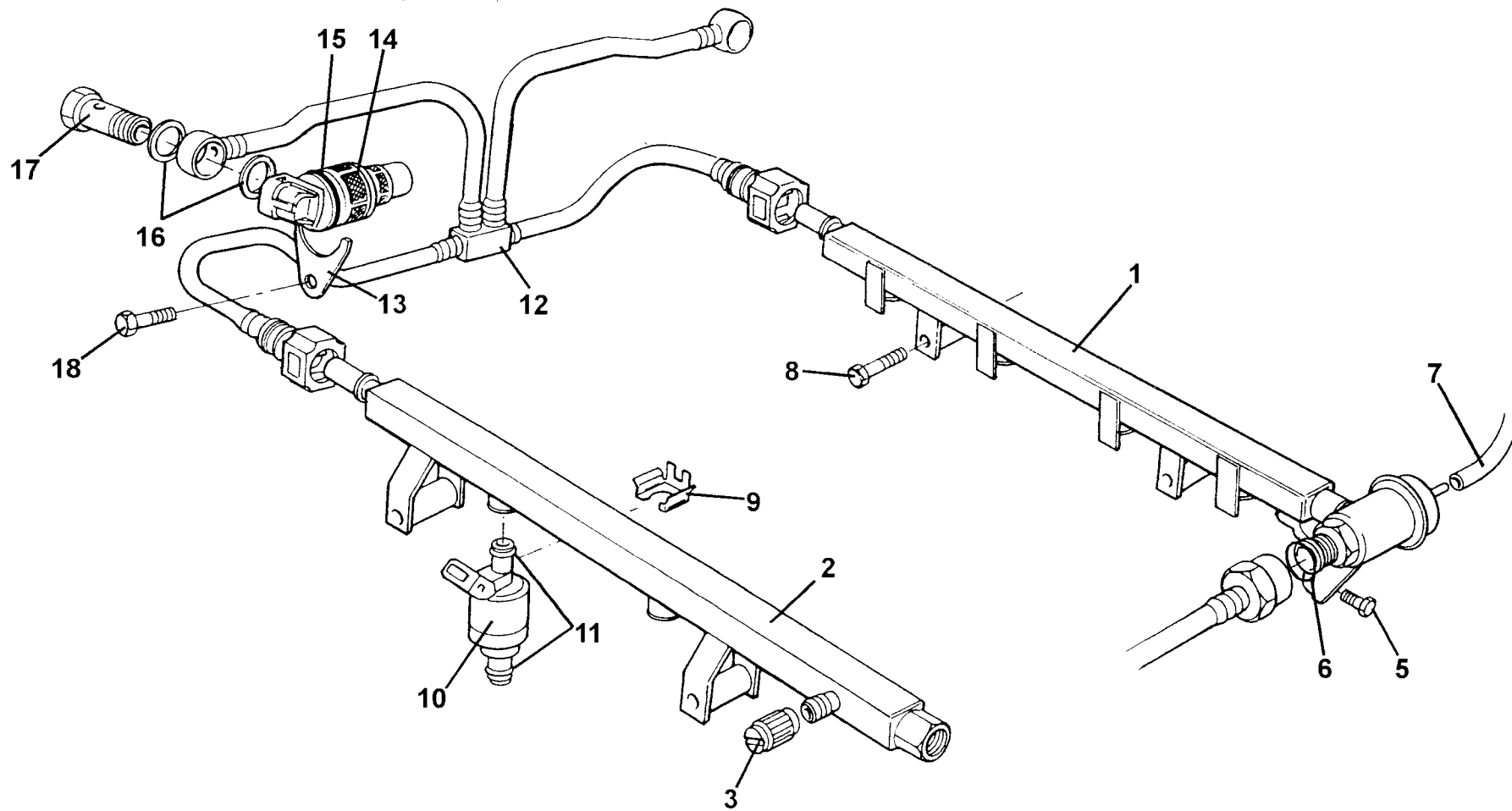
---

**Function Code 42.04a Throttle Body, Mechanism & IAC Valve, V8**

<u>Dep</u>	<u>Part Description</u>	<u>Remarks</u>	<u>Option</u>	<u>Part Number</u>	<u>Qty</u>
19	Throttle Lever Pivot Stud, M6			A918E6046F	1
20	Nut, M6, pivot to lever			A918E6050F	1
21	Lever, throttle cable			B918E0268F	1

---

V8



**ESPRIT**  
**42.05a**

# Service Parts List



## Function Code 42.05a Fuel Injection System, V8

<u>Dep</u>	<u>Part Description</u>	<u>Remarks</u>	<u>Option</u>	<u>Part Number</u>	<u>Qty</u>
01	Fuel Rail Assembly, LH			A918E0037F	1
02	Fuel Rail Assembly, RH			A918E0038F	1
03	Dust Cap, test port protection			TBA for ASO	1
04	Fuel Regulator Valve			A918E6015F	1
05	Setscrew, M6 x 12, hex.hd., valve to fuel rail			A075W1027Z	1
06	'O' Ring, 2.62 x 7.59mm,			A918E6070F	1
07	Vacuum Hose, valve to plenum			A082L4252F	1
08	Bolt, M6 x 35, hex. hd. rail to head			A075W2029Z	4
09	Clip, primary injector to fuel rail			A918E6003F	8
10	Primary Injector			A918E6014F	8
11	'O' Ring, primary injectors (outer/top)			A918E6107F	8
11a	'O' Ring, primary injectors (inner/bottom)			A918E6106F	8
12	Fuel Pipe Assembly, rails to secondary injectors			A918E0192F	1
13	Clamp Plate, secondary injector to plenum			A918E0020F	1
14	Secondary Injector			A918E6016F	2
15	'O' Ring, secondary injector			A918E6067F	2
16	Bonded Washer, M14, banjo sealing			A918E6005F	4
17	Banjo Bolt, M14 x 1.5, pipe to plenum			A918E6064F	2



---

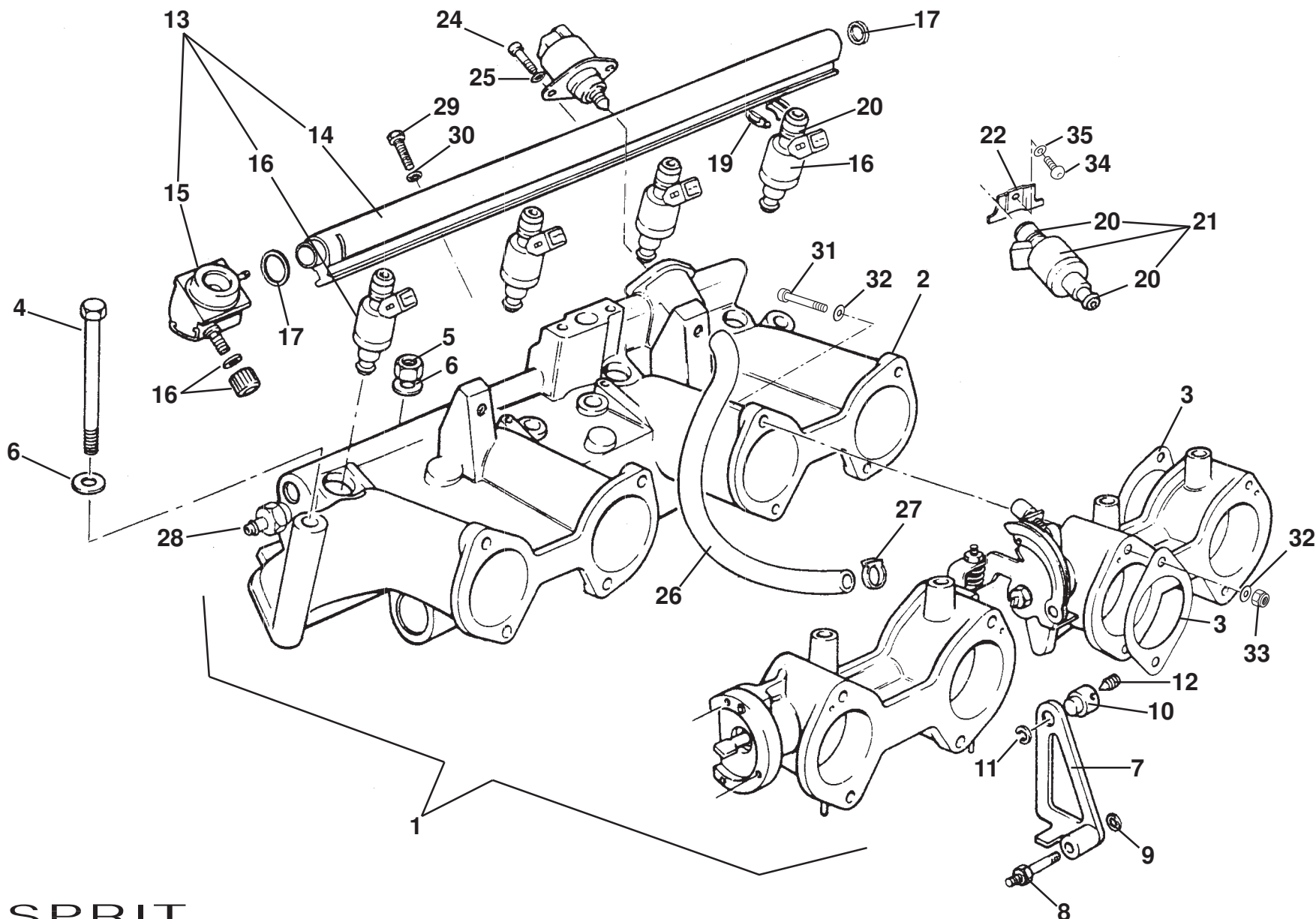
**Function Code 42.05a Fuel Injection System, V8**

<u>Dep</u>	<u>Part Description</u>	<u>Remarks</u>	<u>Option</u>	<u>Part Number</u>	<u>Qty</u>
18	Setscrew, M6 x 12, hex. hd., clamp to plenum			A075W1027Z	2

---

---

18



**ESPRIT**  
**42.07b**

*Updated 6th February 2013*

# Service Parts List



## Function Code 42.07b Inlet Manifold, Throttle Bodies, Fuel Rail & IAC, GT3

<u>Dep</u>	<u>Part Description</u>	<u>Remarks</u>	<u>Option</u>	<u>Part Number</u>	<u>Qty</u>
01	Inlet Manifold, Throttle Bodies, Plenum Backplate Assy.	Assembly must be mass flowed at Lotus if disassembled		A910E9260S	1
02	Inlet Manifold	Includes 'D' plugs		A910E9247J1	1
03	Gasket, throttle bodies to manifold & backplate			A910E1887F	8
04	Bolt, M8 x 100, hex. hd., manifold to head			A075W2049Z	4
05	Nut, M8, manifold to head			A075W3021Z	5
06	Washer, flat, M8 x 16.6 x 1.4, manifold to head			A075W4020Z	9
07	Cam Lever, throttle jacking			A910E9205F	1
08	Pivot Spindle, cam lever			A910E2162F	1
08a	PermaBond A131, pivot spindle securing			A912E7034V	As req.
09	Retaining Ring, cam lever to pivot			A910E6788F	1
10	Trunnion, operating rod to cam lever			A910E2163F	1
11	Retaining Ring, trunnion to cam lever			A910E6791F	1
12	Grub Screw, M5 x 8, rod to trunnion			A082W7034F	1
13	Fuel Rail Assembly	Comprises fuel rail, PRV & injectors		A910E6946F	1
14	Fuel Rail			A910E6945S	1
15	Fuel Pressure Regulating Valve (PRV)			A910E6950S	1
15a	Fitting Kit, PRV to fuel rail	Comprises 2 retaining plates & 3 screws/washers		A910E6971F	1



**Function Code 42.07b Inlet Manifold, Throttle Bodies, Fuel Rail & IAC, GT3**

<u>Dep</u>	<u>Part Description</u>	<u>Remarks</u>	<u>Option</u>	<u>Part Number</u>	<u>Qty</u>
16	Fuel Injector, primary	Includes clip & 'O' rings		A910E6941S	4
17	'O' Ring Kit, fuel rail	Comprises inlet & outlet seals		A910E6969F	1
18	Test Connection Kit, PRV	Comprises connections & seal		A100L6020S	1
19	Clip Pack, primary injectors to fuel rail	Comprises 5 clips		A910E6947S	1
20	'O' Ring Pack, fuel injectors			A910E6979F	6
21	Fuel Injector, secondary	Includes 'O' rings		C910E7007F	2
22	Retaining Plate, secondary injectors			A910E2518F	1
22a	Permabond A130, screw securing	Not illustrated		A912E7033V	As req.
22b	Cable Tie, spacer, injector plate to nozzle	Not illustrated		A082W63742	2
23	Idle Air Control Valve (IAC)			A910E6942F	1
24	Screw, M4 x 12, cap hd. IAC to manifold			A082W7056F	2
25	Washer, flat, M4, to manifold			A082W4099F	2
26	Hose, plenum to IAC			A910E2428	1
27	Hose Clip, hose to manifold & plenum			A079W6132F	2
28	Connector, M12 x 15, MAP & evap. loss hoses			A910E6789F	2
29	Screw, M8 x 35, hex. hd., fuel rail to manifold			A075W1041Z	2
30	Washer, flat, M8 x 16.6 x 1.4, fuel rail to manifold			A075W4020Z	2
31	Bolt, M6 x 65, throttle bodies to manifold & backplate			A082W7039F	8
32	Washer, flat, M6, throttle bodies to manifold & backplate			A075W4013Z	16
33	Nyloc Nut, M6, throttle bodies to manifold & backplate			A075W3009Z	8
34	Screw, M4 x 12, plate to plenum			A082W7056Z	1





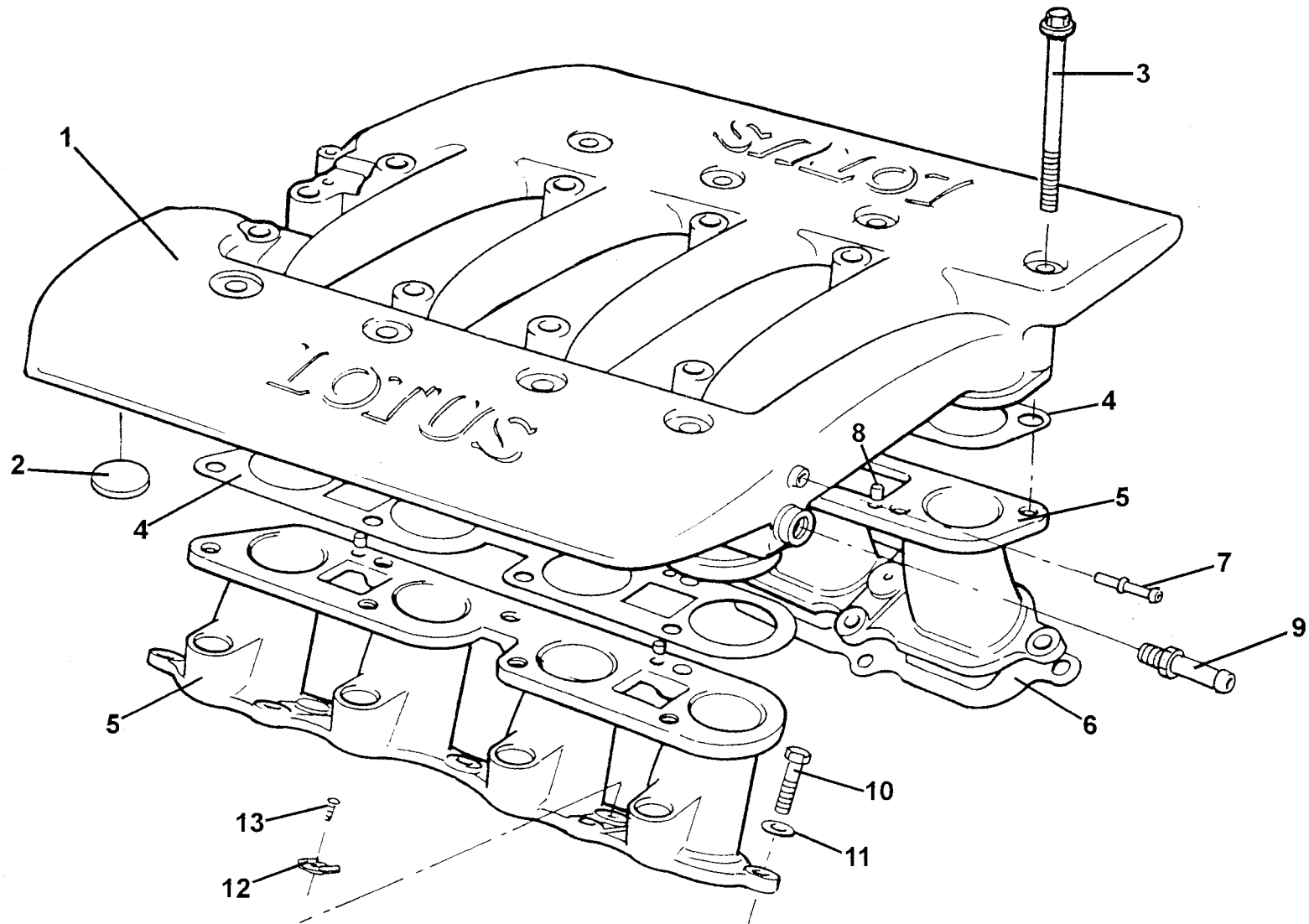
---

**Function Code 42.07b Inlet Manifold, Throttle Bodies, Fuel Rail & IAC, GT3**

<u>Dep</u>	<u>Part Description</u>	<u>Remarks</u>	<u>Option</u>	<u>Part Number</u>	<u>Qty</u>
35	Washer, flat, M4			A085W4099F	2

---

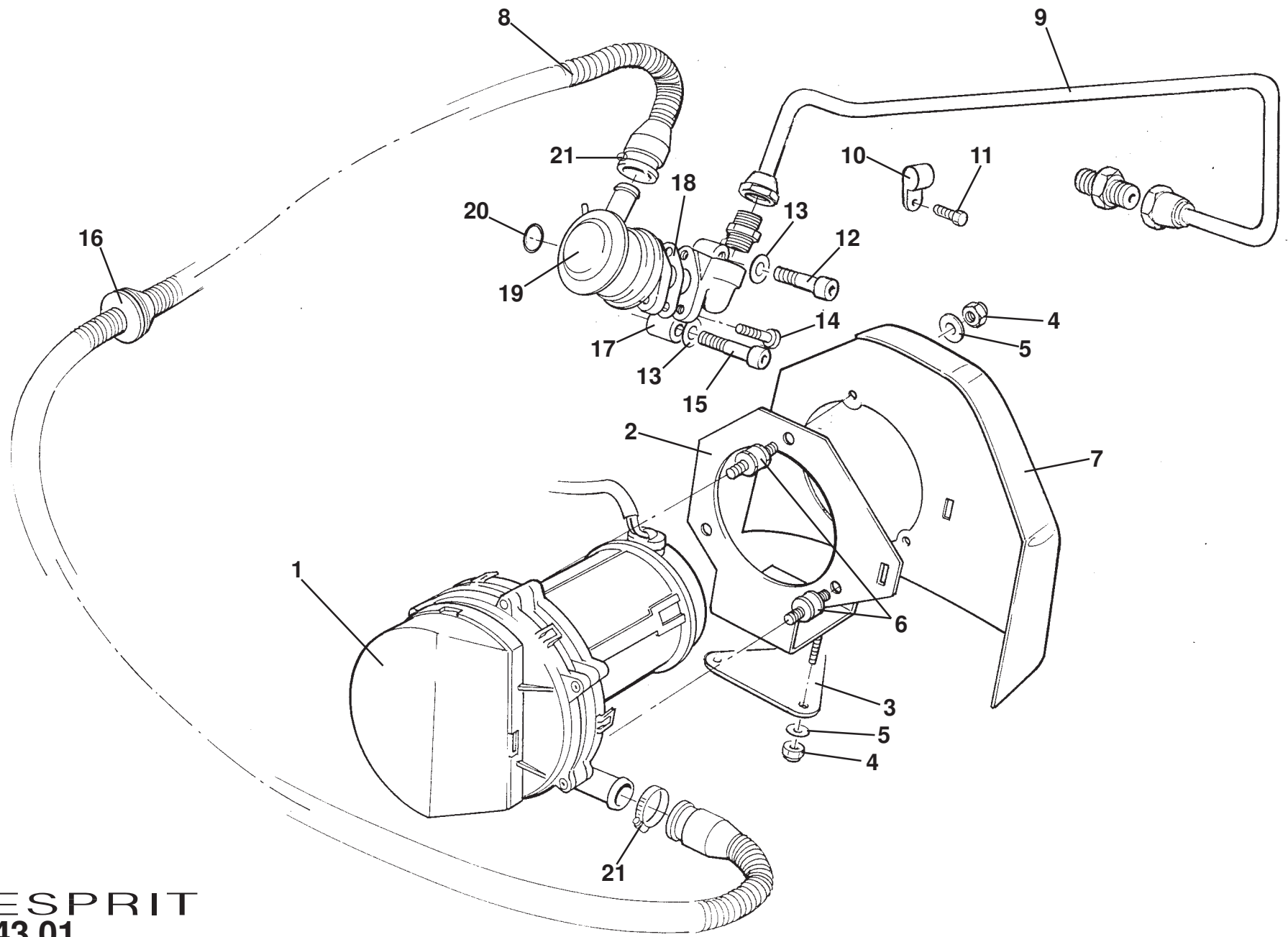




ESPRIT  
42.07c

**Function Code 42.07c Inlet Manifolds, Plenum & Gaskets, V8**

<u>Dep</u>	<u>Part Description</u>	<u>Remarks</u>	<u>Option</u>	<u>Part Number</u>	<u>Qty</u>
01	Plenum			A918E0134K	1
01a	Plenum, for plaque 'engine build ID'	VIN to be quoted with order	'Final Edition'	A918E0403K	1
02	Core Plug, plenum			A907E6038Z	5
03	Bolt, M8 x 100, hex. flg. hd., plenum to manifolds			A918W5207F	14
04	Gasket, plenum to manifolds			A918E0023F	2
05	Inlet Manifold			A918E0135K	2
06	Gasket, manifold to head			A918E0027F	2
07	Vacuum Connector, 4.6 dia., vac. system/PRV hoses			A918E0303F	2
08	Dowel Pin, M5 x 14, manifold to plenum			A918E6059F	4
09	Vacuum Connector, brake servo hose			A918E0292F	1
10	Bolt, M8 x 25,hex. hd., manifold to head			A075W1039Z	14
11	Washer, flat, M8, manifold to head			A075W4020Z	14
12	Mounting, cable tie			A918E6038F	2
13	Screw, M4 x 10, pan hd, pozi., mount to manifold			A075W5079F	2
14	Gasket Compound, advanced formula	Not illustrated, apply to manifold gaskets		A918E6069F	As req

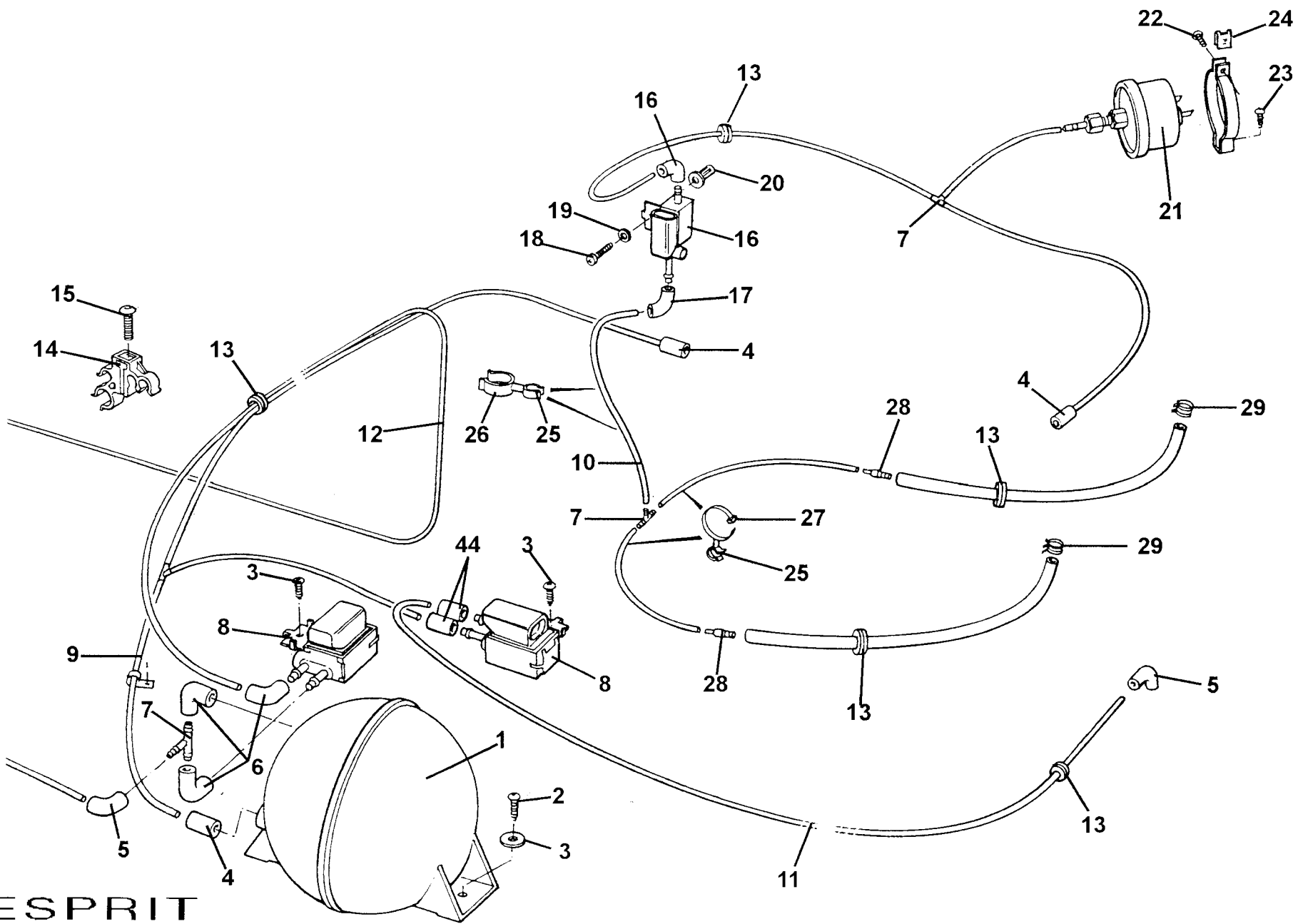


**ESPRIT**  
**43.01**

**Function Code 43.01 Air Pump, Mounting Brackets & Fittings**

<u>Dep</u>	<u>Part Description</u>	<u>Remarks</u>	<u>Option</u>	<u>Part Number</u>	<u>Qty</u>
01	Air Pump			A918E6053F	1
02	Bracket, air pump mounting			A082L4211F	1
03	Plate, bracket to body			A082L4212F	1
04	Nyloc Nut, M6, pump/bracket fixing			A075W3009Z	6
05	Washer, flat, M6, pump/bracket fixing			A075W4013Z	6
06	Mount, anti-vibration, air pump to bracket			A082L6214F	3
07	Cover, air pump			A082B5374K	1
08	Hose, air pump to valve			A082U7757F	1
09	Air Pipe Assembly	Includes adaptors		A918E0193F	1
10	'P' Clip, 10/12mm			A918W6577F	1
11	Setscrew, M5 x 10, hex. hd., clip fix.			A100W1105F	1
12	Setscrew, M8 x 30, skt. cap hd., valve assy. to head			A089W7052F	1
13	Washer, flat, M8			A075W4020Z	2
14	Setscrew, M8 x 16, skt. cap hd., manifold to valve			A075W7017F	2
15	Setscrew, M8 x 50, skt. cap hd., valve assy. to head			A918W7119F	1
16	Grommet, air hose tho' body			A082H6046F	1
17	Manifold, air valve			A918E0140K	1
18	Gasket, valve to manifold			A918E0031F	1
19	Valve, air control			A918E0075F	1
20	'O' Ring, valve assy. to head			A918E6024F	1
21	Hose Clip, 16-27mm, air hose to pump/valve			A079K6018F	2

18



**ESPRIT**  
**43.03**

# Service Parts List



## Function Code 43.03 Vacuum System, Hoses, Pipes & Fittings

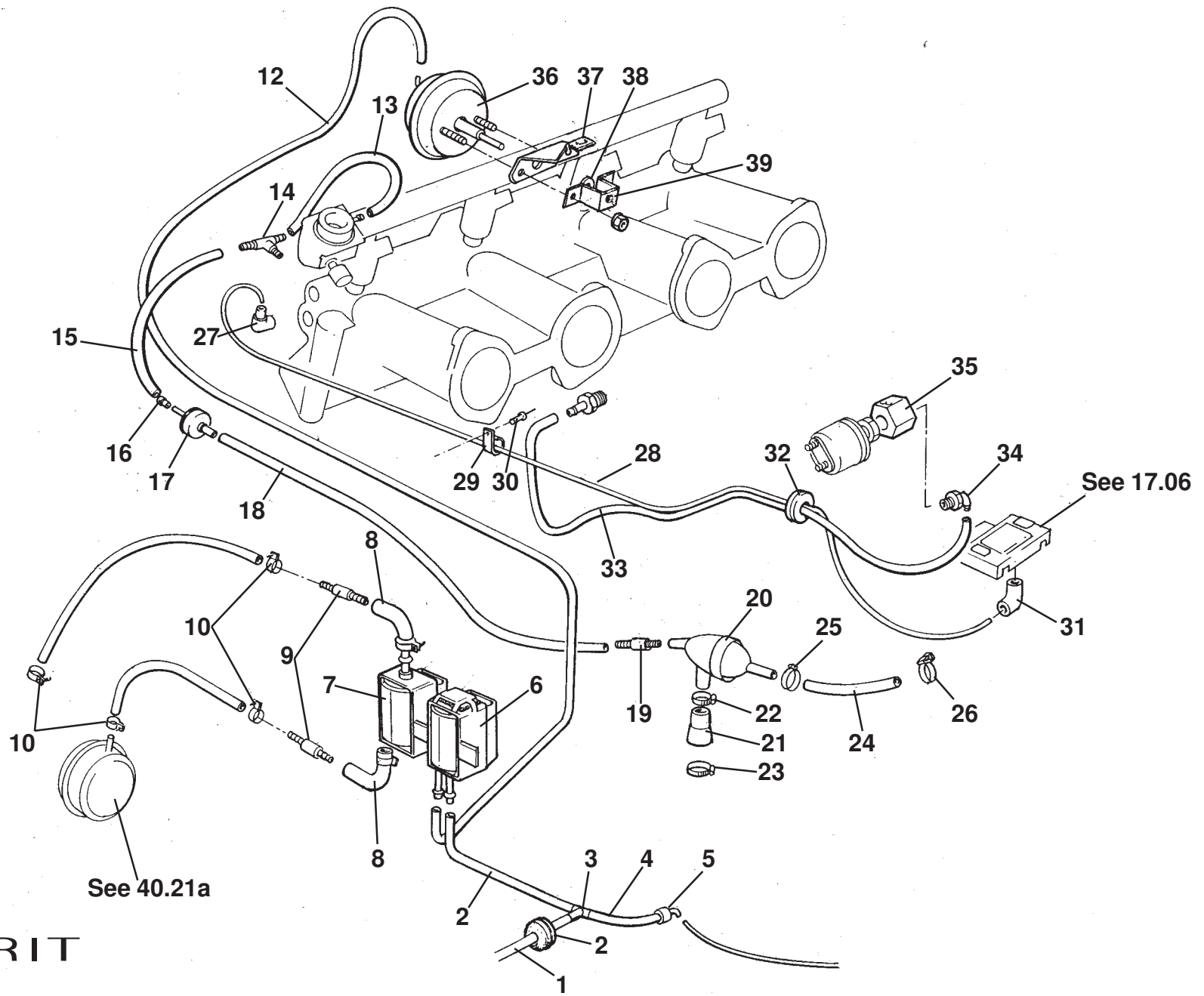
<u>Dep</u>	<u>Part Description</u>	<u>Remarks</u>	<u>Option</u>	<u>Part Number</u>	<u>Qty</u>
01	Vacuum Reservoir			A100P6018F	1
02	Screw, No.6 x 0.75"			A075W5026Z	2
03	Washer, flat, 3/16" x 0.35"			A075W4009Z	2
04	Connector, vacuum hose			A082L4249F	5
05	Elbow Connector, 90°	Replaced by hose	A075P6079F R/B	A082P4490K	2
06	Elbow Connector, 90°, unequal size ends			A075P6069F	5
07	'T' Piece			A075P6081F	3
08	Solenoid Valve, coolant re-circ/air valve			A082M6421F	2
09	Vacuum Hose Assy., plenum to res./air valve solenoid	Black/blue		B082L4247F	1
10	Vacuum Hose Assy., solenoid to wastegates	Red, R/B black with red ID sleeves 2002 MY		A082L4248F	1
11	Vacuum Hose Assy., solenoid to air valve	Blue		A082L4254F	1
12	Vacuum Hose, climate control feed	Black, cut to fit		A075P6068V	As req
13	Grommet, hoses thro' body			X036L6004Z	3
14	Clip, four hose retention			A918E6576F	3
15	Setscrew, clip fixing			A100W7090F	3
16	Solenoid Valve, wastegate			A082M6420F	1
17	Elbow connector 90°			B912E6805F	2
18	Bolt, solenoid fix.			A075W1025Z	1

---

**Function Code 43.03 Vacuum System, Hoses, Pipes & Fittings**

<u>Dep</u>	<u>Part Description</u>	<u>Remarks</u>	<u>Option</u>	<u>Part Number</u>	<u>Qty</u>
19	Washer, flat			A075W4011Z	1
20	Jacknut			A076W3043Z	1
21	Sender, turbo boost pressure	Fitted to RH tank board	Prior to '98 MY	A082N4042F	1
22	Bracket, sender mounting	Fitted to RH tank board	Prior to '98 MY	A082M6611F	1
23	Screw, No.10 x 0.5" bracket to tank board	Fitted to RH tank board	Prior to '98 MY	A075W5040Z	1
24	Spire Nut, boost sender to tank board			A100W6364F	1
25	Swivel Clip, female			A082W6587F	5
26	Swivel Clip, male			A918W6581F	4
27	Cable Tie, swivel clip type			A082W6587F	5
28	Hose Adaptor, nylon			A912E6806F	2
29	Hose Clip, hose to wastegates			A079W6189F	2





**ESPRIT**  
**43.03a**

# Service Parts List



## Function Code 43.03a Vacuum System, Hoses, Pipes & Fittings, GT3

<u>Dep</u>	<u>Part Description</u>	<u>Remarks</u>	<u>Option</u>	<u>Part Number</u>	<u>Qty</u>
01	Vacuum Hose, pump to 'T' piece			C082J4162K	1
02	Vacuum Hose, 'T' piece to solenoid	Cut to fit		A910E6786V	As eeq.
03	'T' Piece, vacuum hoses			A082J6089F	1
04	Vacuum Hose, 'T' piece to reducing elbow			A910E2466K	1
05	Reducing Elbow, to flap actuators hose			A075P6069F	1
06	Solenoid Valve, throttle jack actuation			A082M6421F	1
07	Solenoid Valve, wastegate actuation			A082M6420F	1
07a	Screw, M5 x 40, wastegate valve fixing	Not illustrated		A100W5154F	1
08	Elbow Connector, wastegate solenoid valve			B912E6805F	2
09	Reducing Connector, 4-6mm			A912E6806F	2
10	Hose Clip, vac. hose securing			A075U6082F	4
11	Grommet, hose through sidewall			X036B6010Z	1
12	Vacuum Hose, solenoid to throttle jacking capsule			A910E2467K	1
13	Vacuum Hose, fuel PRV to 'T' piece			A910E2460K	1
14	'T' Piece, vacuum rail take-off			A910E6964F	1
14a	Permabond A131, 'T' piece securing	Not illustrated		A912E7034V	As req.
15	Vacuum Hose, 'T' piece to non-return valve			A912E2593K	1
16	Restrictor, pulsation damping			A912E6452F	1



**Function Code 43.03a Vacuum System, Hoses, Pipes & Fittings, GT3**

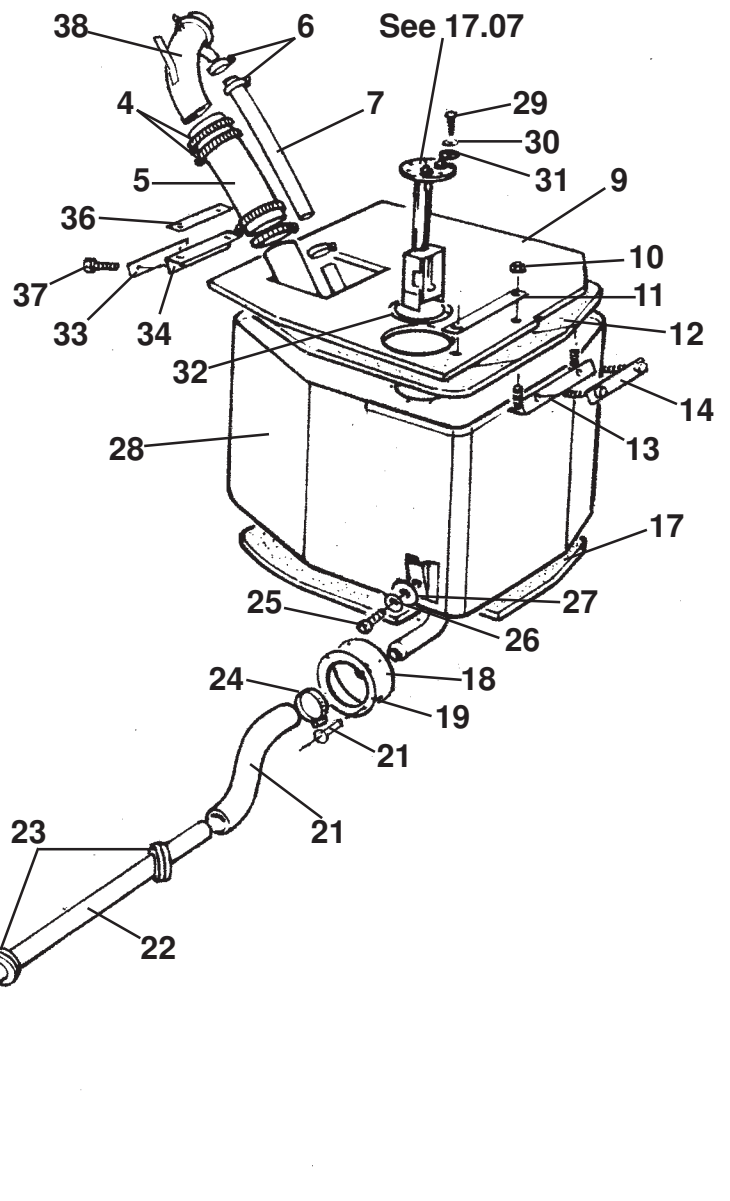
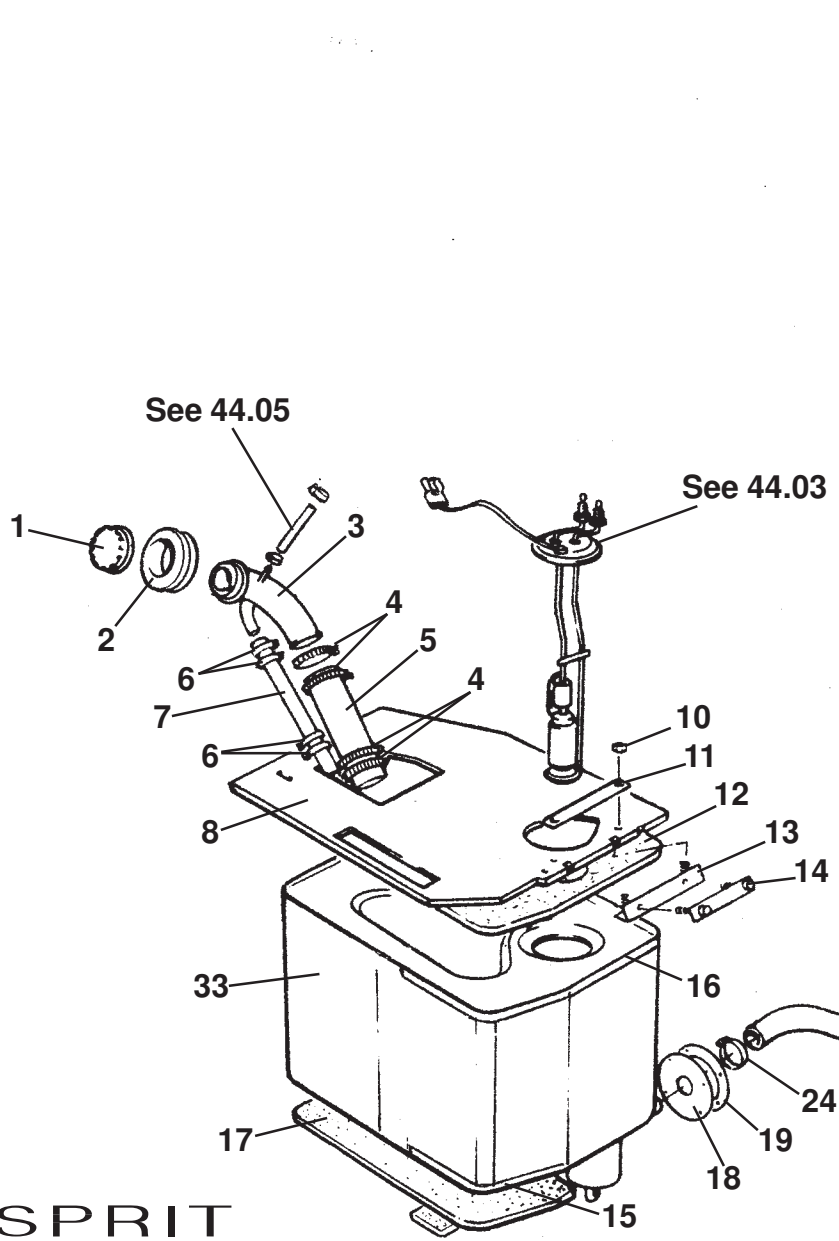
<u>Dep</u>	<u>Part Description</u>	<u>Remarks</u>	<u>Option</u>	<u>Part Number</u>	<u>Qty</u>
17	Non-return Valve, crankcase breather hose			A910E6863F	1
18	Vacuum Hose, valve to CBV			A910E2461K	1
19	Reducing Connector, 4-6mm, crankcase breather			A912E6806F	1
20	Crankcase Breather Valve (CBV)			A912E6802F	1
21	Hose, CBV to block			B912E2236F	1
22	Hose Clip, hose to CBV			A079K6018Z	1
23	Hose Clip, hose to block			B907E6085Z	1
24	Hose, CBV to airbox			A910E2418F	1
25	Hose Clip, hose to CBV			A079K6018Z	1
26	Hose Clip, hose to airbox			A075W6211F	1
27	Adaptor, vacuum take-off, MAP sensor			A075P6069F	1
28	Vacuum Tubing, MAP sensor			A910E2463K	1
29	'P' Clip, MAP sensor tubing			A075W6227F	1
30	Pop Rivet, 'P' clip fixing			A085W6259F	1
31	Elbow Connector, tubing to MAP sensor			A075P6069F	1
32	Grommet, hose through sidewall			X036B6150Z	1
33	Vacuum Hose, plenum to boost gauge trasducer		Prior to '98 MY	A910E2559K	1
34	Elbow Connector, hose to trasducer block		Prior to '98 MY	A910E6772F	1
35	Mounting Block, boost gauge transducer		Prior to '98 MY	A082N4025F	1
36	Vacuum Actuator (capsule), throttle jacking	Includes fixings		A910E6793K	1
37	Mounting Bracket, vacuum actuator			C910E2157K	1



---

**Function Code 43.03a Vacuum System, Hoses, Pipes & Fittings, GT3**

<u>Dep</u>	<u>Part Description</u>	<u>Remarks</u>	<u>Option</u>	<u>Part Number</u>	<u>Qty</u>
37a	Permabond A130, bracket fixings	Not illustrated		A912E7033V	As req.
38	Stop Washer, vacuum actuator rod			A075W4001Z	1
39	Stop Bracket, vacuum actuator			A910E2165F	1



**ESPRIT**  
**44.01**

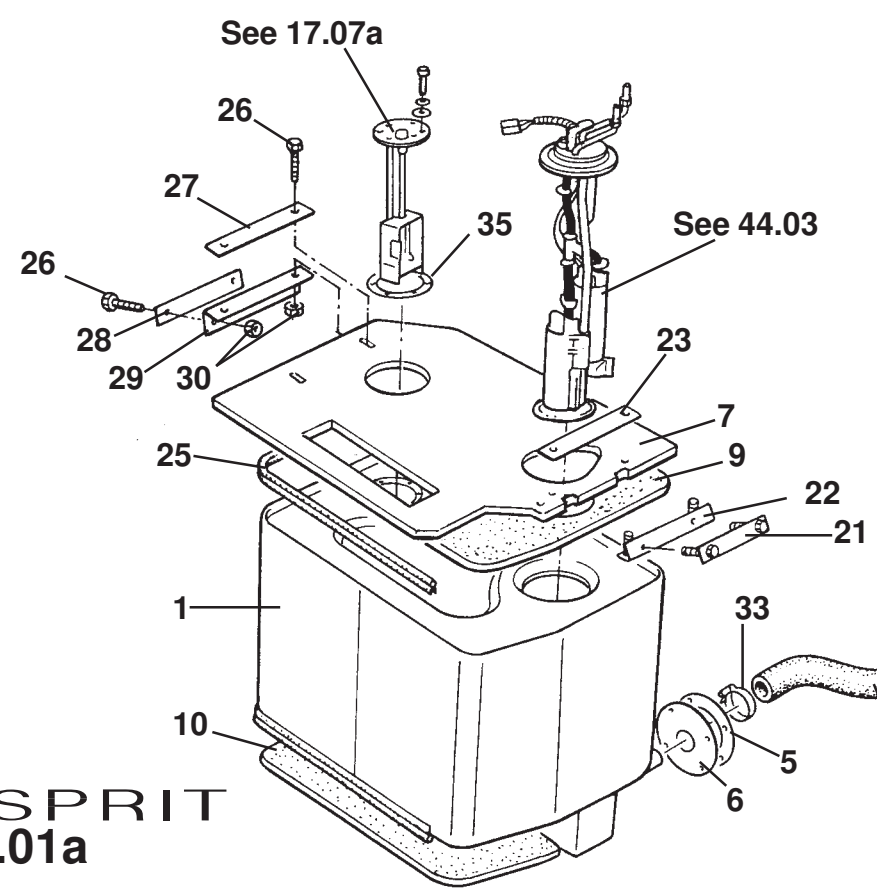
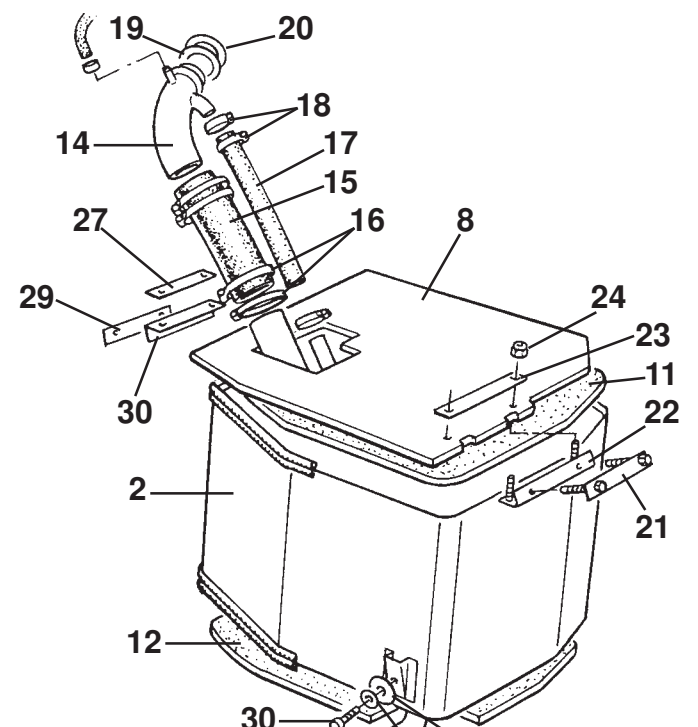
**Function Code 44.01 Fuel Tanks, Filler**

<u>Dep</u>	<u>Part Description</u>	<u>Remarks</u>	<u>Option</u>	<u>Part Number</u>	<u>Qty</u>
01	Fuel Filler Cap (torque limiting ratchet)			A082L 6168F	2
02	Grommet, filler neck to body			A100L0077F	2
03	Fuel Filler Neck, RH			A082L4198F	1
04	Hose Clip, fuel filler hose			A082L6198F	8
05	Hose, filler neck to tank			A082L4175F	2
06	Hose Clip, filler vent hose			A075M6145F	8
07	Hose, filler venting			B082L4154F	2
08	Board, fuel tank top, RH			A918U7746F	1
09	Board, fuel tank top, LH			A918U7745F	1
10	Nyloc Nut, bulkhead bracket fixing			A075W3010Z	2
11	Washer plate, bulkhead bracket to board			A082U4678K	2
12	Foam, fuel tank clamping			A082L4173F	2
13	Bracket, tank board to bulkhead			A082U4675K	2
14	Studplate, bracket to bulkhead			A082U4677K	2
15	Foam Seal. 880mm, tank bottom			A082L4265K	2
16	Foam Seal, 810mm, tank top			A082L4264K	2
17	Foam, fuel tank seating			B082L4119K	2
18	Grommet, crossover pipe thro' tank well			A082L4064Z	2
19	Ring, grommet fixing			A082L4065K	2
20	Pop Rivet, grommet ring to body			A075W6092Z	8
21	Hose, tank crossover pipe			B082L4062F	2

18

**Function Code 44.01 Fuel Tanks, Filler**

<u>Dep</u>	<u>Part Description</u>	<u>Remarks</u>	<u>Option</u>	<u>Part Number</u>	<u>Qty</u>
22	Crossover pipe, fuel tank interconnection			B082L4061F	1
23	Grommet, crossover pipe thro' chassis			X046K6001Z	2
24	Hose clip, crossover pipe hose			A075M6145F	4
25	Setscrew, M8 x 16, fuel tank to body			A075W1036Z	2
26	Washer, spring, M8, fuel tank to body			A075W4036Z	2
27	Washer, flat, M8, fuel tank to body			A075W4020Z	2
28	Fuel tank, LH		V8, GT3	C082L4167F	1
29	Setscrew, M5 x 20, sender fixing			A075W1025F	5
30	Washer, flat, copper, M5, sender fixing	Replace on each disassembly		A082W4160F	5
31	Washer, flat, M5 x 10, sender fixing			A074W4011Z	5
32	Gasket, fuel gauge sender unit			A082L6161F	1
33	Fuel tank, RH		V8	C082L4168F	1
33a	Fuel tank, RH, without filler	Also see 44.01a, '98 MY on	GT3	A082L4256F	1
34	Bracket, tank board to wheelarch			A082U4676K	2
35	Washer Plate, bracket to body			A082U4680K	2
36	Washer Plate, bracket to tank board			A082U4679K	2
37	Setscrew, M8 x 20, wheelarch bracket fixing			A075W1038Z	8
38	Fuel Filler Neck, LH			A082L4195F	1
39	Edging Strip	Not illustrated, see 44.01a		A075L6020V	As req.



**ESPRIT  
44.01a**

*Updated 6th February 2013*



# Service Parts List



## Function Code 44.01a Fuel Tanks, Filler, '98 MY

<u>Dep</u>	<u>Part Description</u>	<u>Remarks</u>	<u>Option</u>	<u>Part Number</u>	<u>Qty</u>
01	Fuel Tank, RH, no filler		'98 MY on	A082L4268F	1
02	Fuel Tank, LH, with filler		'98 MY on	A082L4267F	1
03	Crossover Pipe, tank interconnection			B082L4061F	1
04	Hose, crossover pipe to tanks		Non USA	B082L4062F	2
04a	Hose, crossover pipes to tanks		USA only	A082L4301F	2
05	Grommet Retaining Ring			A082L4065K	2
06	Grommet, crossover pipe through tank well			A082L4064Z	2
07	Tank Board, RH		'98 MY on	A082L4276F	1
08	Tank Board, LH		'98 MY on	A082L4275F	1
09	Foam, tank top clamping, RH		'98 MY on	A082L4278F	1
10	Foam, tank seating, RH		'98 MY on	A082L4273F	1
11	Foam, tank top clamping, LH		'98 MY on	A082L4277F	1
12	Foam, tank seating, LH		'98 MY on	A082L4273F	1
13	Grommet, crossover pipe through chassis		X046K6001Z R/B	B111K6006F	2
14	Fuel Filler Neck			A082L4271F	1
15	Hose, filler to tank			A082L4292F	1
16	Hose Clip, filler hose			A082L6198F	4
17	Breather Hose			B082L4291F	1

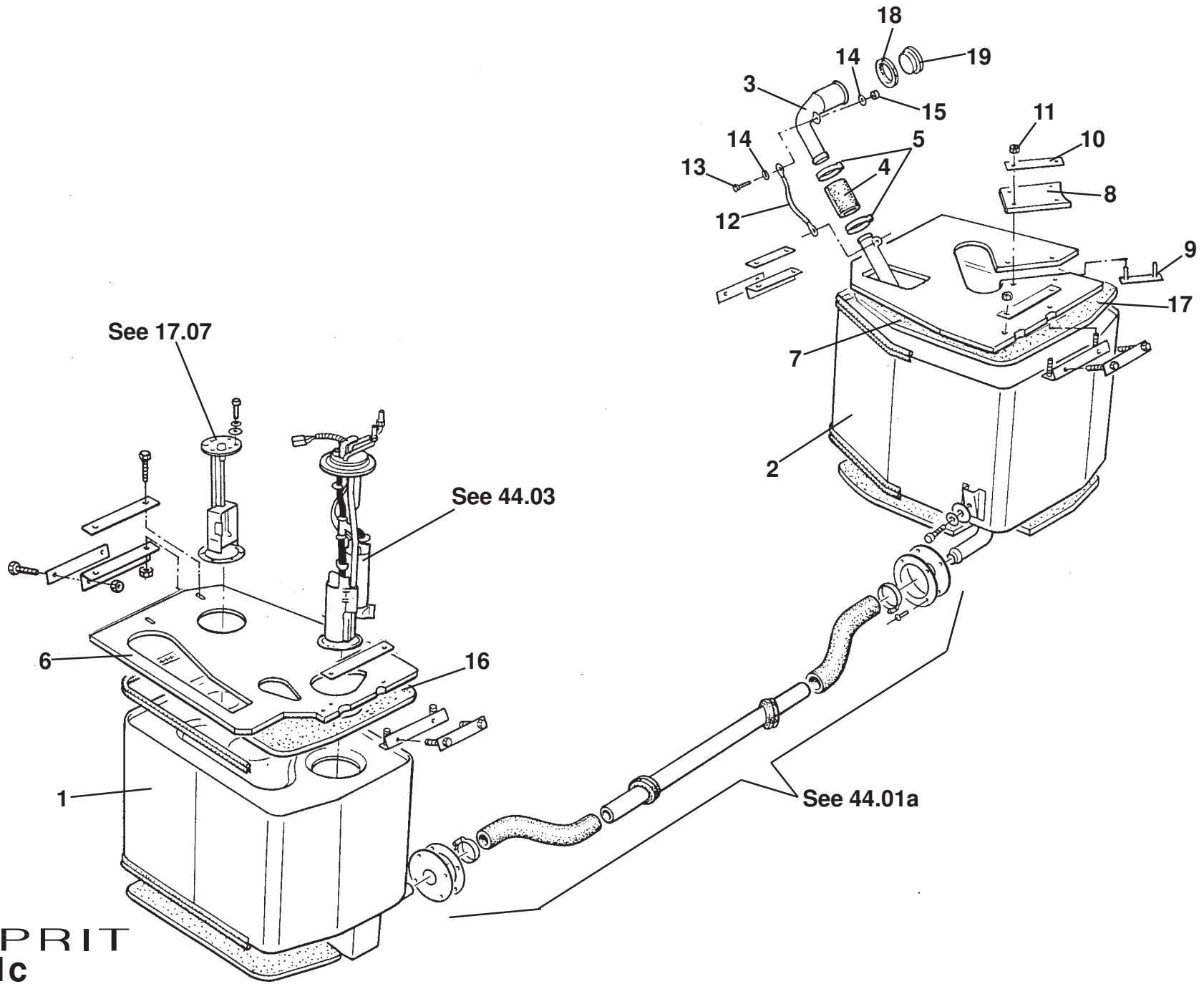
Function Code: 44.01a, Page: 1

Updated 6th February 2013

**Function Code 44.01a Fuel Tanks, Filler, '98 MY**

<u>Dep</u>	<u>Part Description</u>	<u>Remarks</u>	<u>Option</u>	<u>Part Number</u>	<u>Qty</u>
18	Hose Clip, breather hose			A075M6145F	4
19	Grommet, filler neck through body			A100L0077F	1
20	Fuel Filler Cap			A082L6168F	1
21	Studplate, bracket to bulkhead			A082U4677K	2
22	Bracket, tank board to bulkhead			A082U4675K	2
23	Washer Plate, bulkhead bracket to board			A082U4678K	2
24	Nyloc Nut, bracket fix.			A075W3010Z	8
25	Edging Strip			A075L6020V	As req.
26	Setscrew, M8 x 20, hex. hd.			A075W1038Z	8
27	Washer Plate, wheelarch bracket to board			A082U4679K	2
28	Washer Plate, bracket to wheelarch			A082U4680K	2
29	Bracket, tank board to wheelarch			A082U4676K	2
30	Setscrew, M8 x 16, tank to body			A075W1036Z	2
31	Washer, spring, M8			A075W4036Z	2
32	Washer, flat, M8			A075W4020Z	2
33	Hose Clip, hose to tank/crossover			A075M4284F	4
34	Pop Rivet, grommet ring to body			A075W6092Z	8
35	Gasket, fuel gauge sender unit			A082L6161F	1

18



**ESPRIT  
44.01c**

*Updated 28th January 2011*

# Service Parts List



## Function Code 44.01c Fuel Tanks, Filler, USA '00 MY, ROW '01 MY

<u>Dep</u>	<u>Part Description</u>	<u>Remarks</u>	<u>Option</u>	<u>Part Number</u>	<u>Qty</u>
01	Fuel Tank, RH		V8, V8GT, Sport 350	A082L4316F	1
02	Fuel Tank, LH	'B' level 2001MY	V8, V8GT, Sport 350	A082L4315F	1
03	Fuel Filler Neck		V8, V8GT, Sport 350	A082L4321F	1
04	Hose, filler to tank		V8, V8GT, Sport 350	A082L4326F	1
05	Oetiker Clip, filler hose		V8, V8GT, Sport 350	A082L6236F	2
06	Tank Board, RH	For fixings see 44.01a	V8, V8GT, Sport 350	A082L4310F	1
07	Tank Board, LH	For fixings see 44.01a	V8, V8GT, Sport 350	A082L4309F	1
08	Bridging Panel, tank board, LH		V8, V8GT, Sport 350	A082L4319F	1
09	Stud Plate		V8, V8GT, Sport 350	A082L4329F	1
10	Spreader Plate		V8, V8GT, Sport 350	A082L4330F	1
11	Nyloc Nut		V8, V8GT, Sport 350	A075W3009Z	4
12	Earth Strap		V8, V8GT, Sport 350	A082L4334F	1
13	Bolt, M6 x 12, hex. hd., strap fix.		V8, V8GT, Sport 350	A075W1027Z	2
14	Washer, shakeproof, M6		V8, V8GT, Sport 350	A075W4046Z	4
15	Nut, M6		V8, V8GT, Sport 350	A075W3020Z	2
16	Foam, fuel tank clamping, RH		V8, V8GT, Sport 350	A082L4312F	1
17	Foam, fuel tank clamping, LH		V8, V8GT, Sport 350	A082L4311F	1
18	Grommet, filler neck through body		V8, V8GT, Sport 350	A100L0077F	1



---

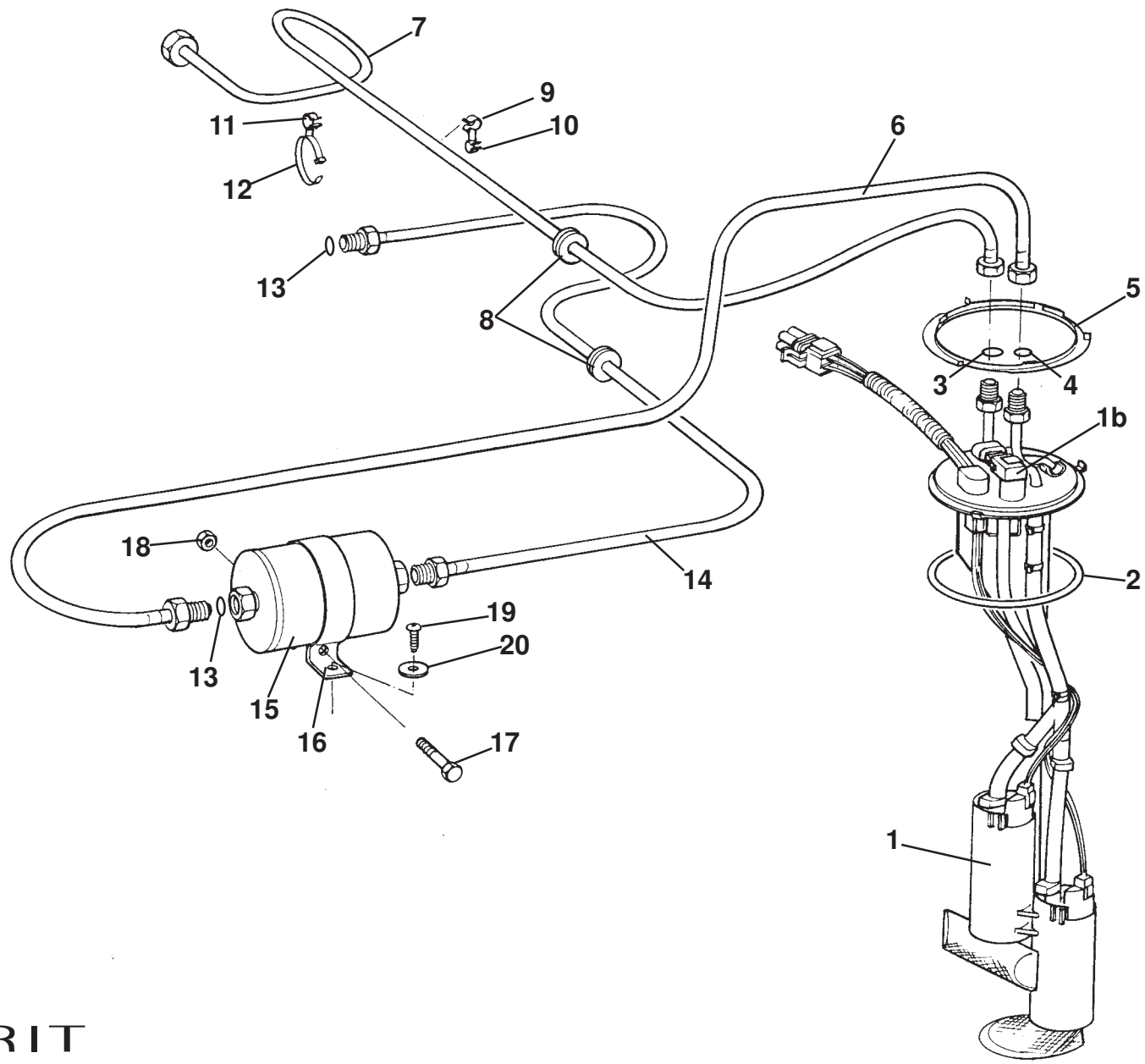
**Function Code 44.01c Fuel Tanks, Filler, USA '00 MY, ROW '01 MY**

<u>Dep</u>	<u>Part Description</u>	<u>Remarks</u>	<u>Option</u>	<u>Part Number</u>	<u>Qty</u>
19	Fuel Filler Cap		V8, V8GT, Sport 350	A082L6168F	1

---

---

18



**ESPRIT**  
**44.03**

# Service Parts List



## Function Code 44.03 Fuel Pump; Filter, Pipes

<u>Dep</u>	<u>Part Description</u>	<u>Remarks</u>	<u>Option</u>	<u>Part Number</u>	<u>Qty</u>
01	Fuel Pump	Engines without EGR	Euro prior to '01 MY	A082L4255F	1
01a	Fuel Pump	Engines with EGR	Federal, Euro '01 MY on	A082L4196F	1
01b	OBD2 Sensor, fuel pressure	Part of pump, item 1a	Federal, Euro '01 MY on	A082L6239S	1
01c	Fuel Pump & Strainer Assembly		GT3	B910E6931F	1
02	Sealing Ring, fuel pump			A082L6164F	1
03	'O' Ring, large, pump outlet			A082L6199F	1
04	'O' Ring, small, pump return			A082L6200F	1
05	Seal Clamping Ring			A082L6163F	1
06	Fuel Pipe, pump outlet to filter			A082L4202F	1
07	Fuel Pipe, return, fuel rail to tank			A082L4199F	1
08	Grommet, pipes through sidewall			A082L6181F	2
09	Pipe Clip, swivel clip type	Secures fuel pipe to vacuum pipe		A082W6337F	1
10	Swivel Clip	Secures fuel pipe to vacuum pipe		A918W6581F	1
11	Swivel Clip	Secures fuel pipe to coolant hose		A082W6324F	1
12	Cable Tie, swivel clip type	Secures fuel pipe to coolant hose		A082W6337F	1
13	'O' Ring, fuel pipe connections			A082L6169F	4
14	Fuel Pipe, filter to fuel rail			A082L4200F	1
15	Fuel Filter			A082L4204F	1

---

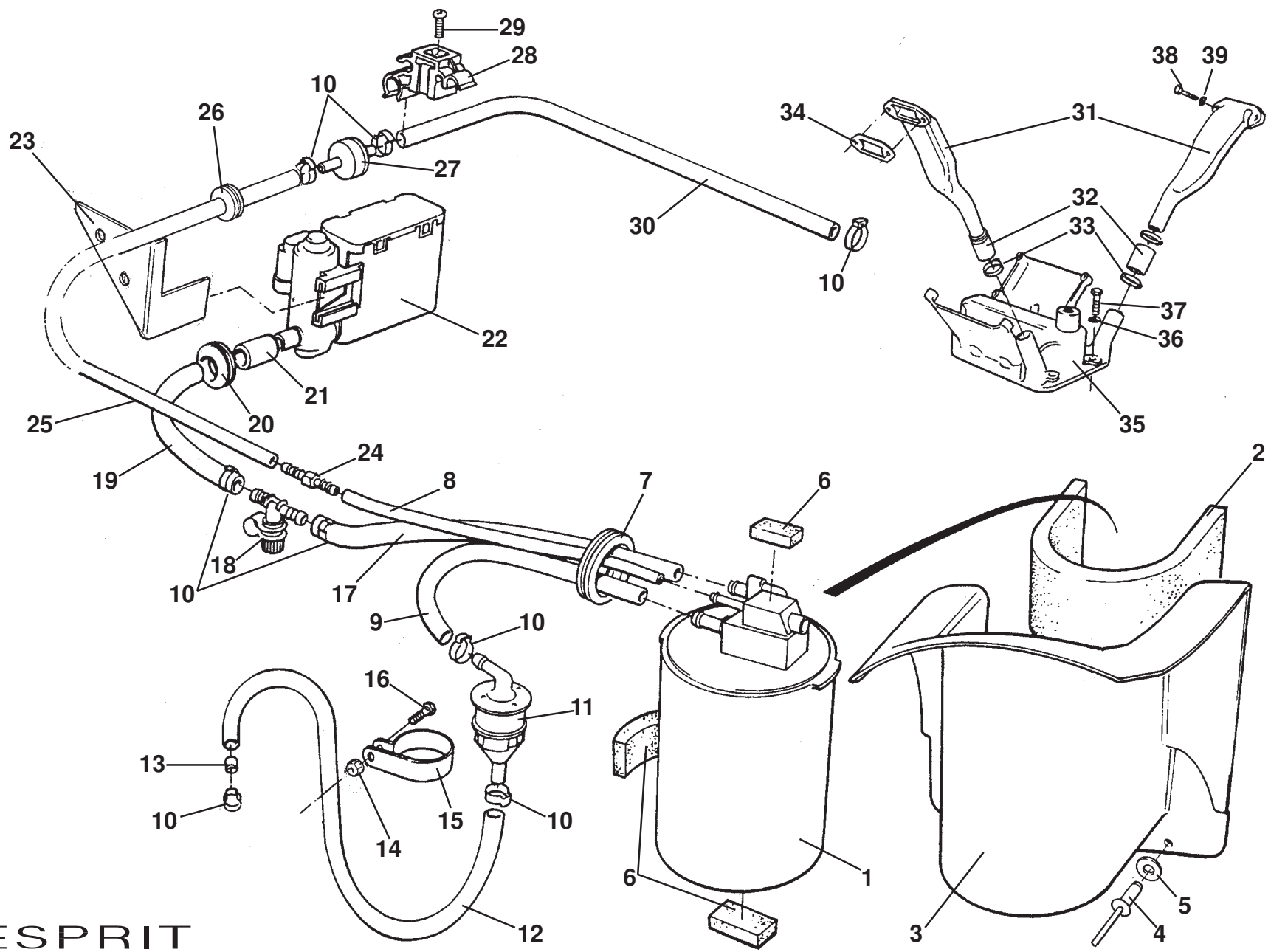
**Function Code 44.03 Fuel Pump; Filter, Pipes**

<u>Dep</u>	<u>Part Description</u>	<u>Remarks</u>	<u>Option</u>	<u>Part Number</u>	<u>Qty</u>
16	Clamp, fuel filter			C082L4067F	1
17	Bolt, M5 x 40, hex. hd., filter clamping			A079W2033F	2
18	Nyloc Nut, M5, filter clamping			A075W3008Z	2
19	Screw, No. 10 x 0.5", pan hd. pozi, clamp to tank board	Black finish		A075W5040Z	2
20	Washer, flat, 3/16" x 0.75", clamp to tank board			A075W4009Z	2

---

18





**ESPRIT**  
**44.05**

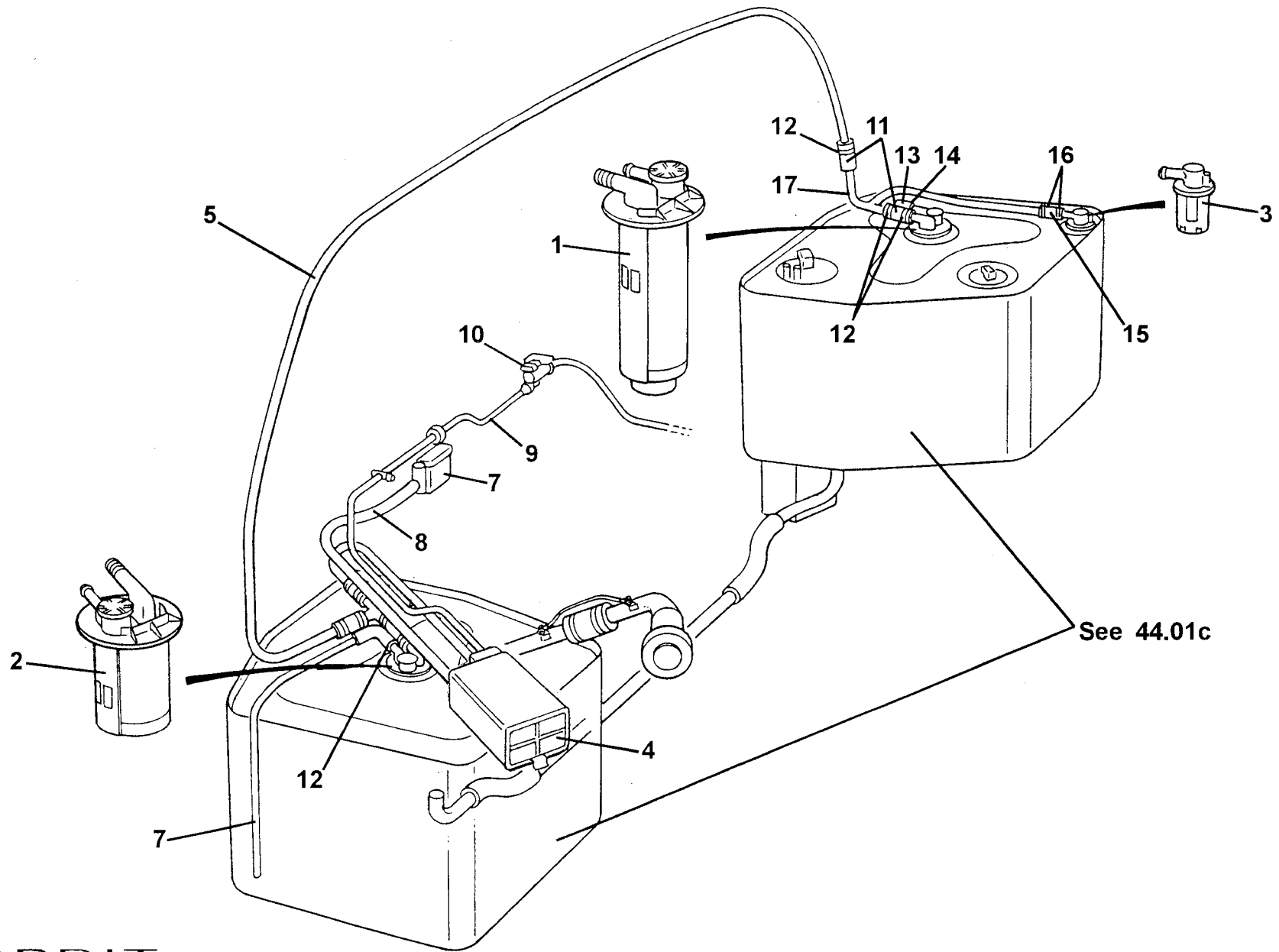
**Function Code 44.05 Charcoal Canister & Evaporative Loss System.**

<u>Dep</u>	<u>Part Description</u>	<u>Remarks</u>	<u>Option</u>	<u>Part Number</u>	<u>Qty</u>
01	Charcoal Canister	Located in LH rear wheelarch		A910E6944F	1
02	Insulation Padding, charcoal canister			A082L4240F	1
03	Charcoal Canister Cover Assembly			A082B5340F	1
04	Pop Rivet, fixing, canister cover			A089W6297F	4
05	Washer, flat			A100W4121F	4
06	Evap Canister Pads			A082L4240F	3
07	Grommet			A082P6045F	1
08	Pipe, 4mm , canister to pipe reducer			TBA	1
08a	Adaptor Hose (connector ), 40 mm length	Not illustrated		A918E0332K	1
09	Pipe, canister to roll over valve			A082L4230F	1
10	OetikerClip 12.8G			A918W6541F	2
11	Roll over valve			A918E6054F	1
12	Pipe, roll over valve			A082L4231F	1
13	Restrictor, roll over pipe			A082L4116F	1
14	Nut, nyloc, roll over valve fixing			A100W6362F	1
15	Clip, roll over valve fixing			A082W6550F	1
16	Bolt, roll over valve fixing			A075W3008Z	1
17	Pipe, canister to pressure valve			TBA	1
18	Pressure valve			A082L6209F	1
19	Pipe, pressure valve to vent closing valve			TBA	1
20	Grommet			X036B6167Z	1

18

**Function Code 44.05 Charcoal Canister & Evaporative Loss System.**

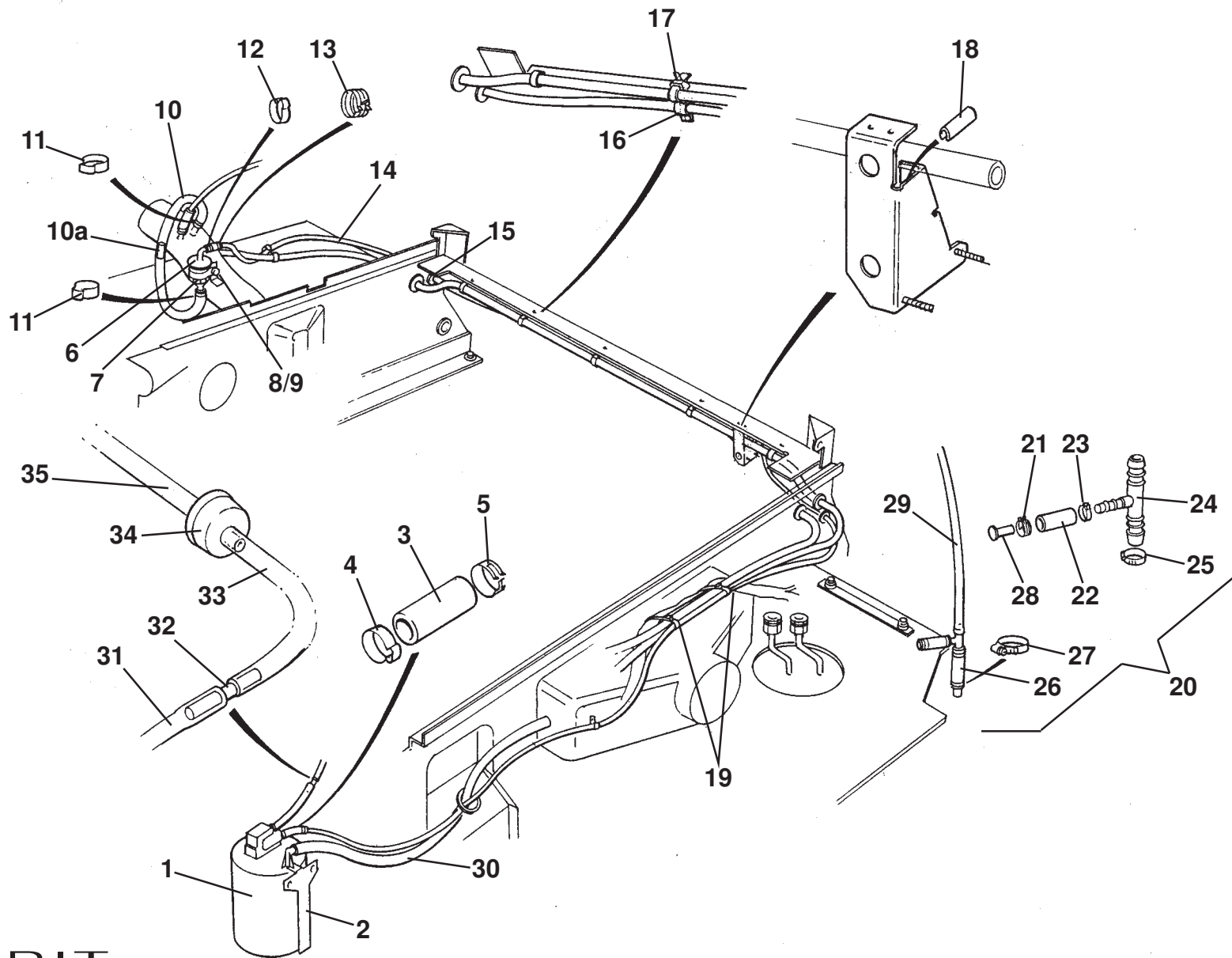
<u>Dep</u>	<u>Part Description</u>	<u>Remarks</u>	<u>Option</u>	<u>Part Number</u>	<u>Qty</u>
21	Pipe sleeve			A082L4235F	1
22	Valve - canister vent close			A082L6210F	1
23	Bracket, evap. close valve	Fitted to LH bulkhead		A082L4226F	1
24	Reducing connector 6 - 4 mm, purge hose			A912E6806F	1
25	Pipe, purge canister To NRV			A082L4232F	1
26	Grommet, pipe to non return valve			X036L6004Z	1
27	Valve, non return			A910E6863F	1
28	Multi clip, pipe securing			A918E6576F	1
29	Fixing screw, multi clip			A100W7090F	1
30	Pipe, NRV to EGR manifold			A082L4233K	1
31	Breather Pipe, cast alloy			A918E0137K	2
32	Joining sleeve			A918E0182F	2
33	Hose Clip, 24-50mm, sleeve to cover & pipes			B907E6085Z	4
34	Gasket, breather pipes, to heads			A9180302F	2
35	Breather Gallery Cover			A918E0136K	1
36	Washer, cover to block			TBA	4
37	Bolt, cover to block			TBA	4
38	Bolt, M6 x 20, pipe to head			A075W1030Z	4
39	Washer, M6 x 12, pipe to head			A075W4013Z	4



**ESPRIT**  
**44.05a**

**Function Code 44.05a Charcoal Can. & Evap. Loss, USA '00 MY, ROW '01 MY**

<u>Dep</u>	<u>Part Description</u>	<u>Remarks</u>	<u>Option</u>	<u>Part Number</u>	<u>Qty</u>
01	Fill Level Vent Valve, RH tank, long/black		V8, V8GT, Sport 350	A082L6230F	1
02	Fill Level Vent Valve, LH tank, short/grey		V8, V8GT, Sport 350	A082L6229F	1
03	Grade Valve		V8, V8GT, Sport 350	A082L6231F	1
04	Charcoal Canister		V8, V8GT, Sport 350	A082L6228F	1
05	Tube Assembly, breather/crossover		V8, V8GT, Sport 350	A082L4314F	1
06	Tube Assembly, breather to atmosphere		V8, V8GT, Sport 350	A082L4332F	1
07	Canister Vent Close valve		V8, V8GT, Sport 350	A082L6210F	1
08	Hose, canister to close valve		V8, V8GT, Sport 350	B082L4304F	1
09	Hose, canister to purge valve		V8, V8GT, Sport 350	A082L4308F	1
10	Purge Solenoid Valve		V8, V8GT, Sport 350	A082L6225F	1
11	Hose		V8, V8GT, Sport 350	A082L4327F	2
12	Oetiker Clip		V8, V8GT, Sport 350	A082L6235F	5
13	Blanking Cap, FLVV		V8, V8GT, Sport 350	A082L4335F	2
14	Hose Clip		V8, V8GT, Sport 350	A918W6583F	2
15	Hose		V8, V8GT, Sport 350	A082L4328F	2
16	Oetiker Clip		V8, V8GT, Sport 350	A082L6227F	2
17	Pipe, valves to crossover		V8, V8GT, Sport 350	A082L4317F	1



**ESPRIT**  
**44.05b**

# Service Parts List



## Function Code 44.05b Charcoal Canister & Evaporative Loss System, GT3

<u>Dep</u>	<u>Part Description</u>	<u>Remarks</u>	<u>Option</u>	<u>Part Number</u>	<u>Qty</u>
01	Charcoal Canister			A910E6944F	1
02	Bracket, charcoal canister mounting			A082L4178F	1
02a	Cable Tie, canister to bracket	Not illustrated		B075W6045Z	1
02b	Setscrew, M6 x 16, hex. hd., bracket to body	Not illustrated		A075W1028Z	2
02c	Washer, spring, M6, bracket to body	Not illustrated		A075W4035Z	2
02d	Rawlnut, M6 x 15, bracket to body	Not illustrated		A075W6140F	2
02e	'P' Clip, 0.5", bracket to chassis	Not illustrated		A075W6236F	1
02f	Pop Rivet, 'P' clip to bracket	Not illustrated		A075W6087Z	1
03	Adaptor Hose, roll over valve port			A082L6220F	1
04	Oetiker Clip, adaptor to canister			A082L6217F	1
05	Hose Clip, adaptor to hose			A082L6219F	1
06	Roll Over Valve			A918E6054F	1
07	'P' Clip, roll over valve to filler neck			A082W6550F	1
08	Screw, M5 x 16, hex, hd., 'P' clip to filler neck			A082W1088F	1
09	Nyloc Nut, M5, 'P' clip to filler neck			A082W3008F	1
10	Hose, roll over valve to filler neck	Includes item 10a		A082L4231F	1
10a	Restrictor, roll over valve to filler neck	Part of item 10		A082L4116F	1
11	Oetiker Clip, roll over vale hose lower			A082W6641F	2



**Function Code 44.05b Charcoal Canister & Evaporative Loss System, GT3**

<u>Dep</u>	<u>Part Description</u>	<u>Remarks</u>	<u>Option</u>	<u>Part Number</u>	<u>Qty</u>
12	Oetiker Clip, roll over valve hose upper			A082W6217F	1
13	Hose Clip, adaptor to hose, valve to canister			A082W6219F	1
14	Hose, canister to roll over valve			A082L4305F	1
15	Grommet, tubing through sidewalls			A082L6181F	2
16	Clip, hose securing			A089W6296F	1
17	Cable Tie, hose retention			A918W6582F	1
18	Edging Strip, tube protecting			A082L4306K	1
19	Cable Tie, hose retention			A075W6038	2
20	Fuel Breather Crossover Pipe Assembly	Includes items 21 to 27		A082L4289F	1
21	Hose Clip, hose to blanking plug	Part of assy. item 20		A082L6219F	3
22	Connector Hose	Part of assy. item 20		A082L6220F	1
23	Hose Clip, hose to 'T' piece	Part of assy. item 20		A082L6217F	1
24	'T' piece junction	Part of assy. item 20		B910E7006F	1
25	Hose Clip, hose to 'T' piece	Part of assy. item 20		A082L6223F	2
26	Adaptor Hose, 'T' piece to tank	Part of assy. item 20		A082L4286F	1
27	Hose Clip, hose to tank	Part of assy. item 20		A079K6018F	2
28	Blanking Plug, 'T' piece	Unused connection to roll over valve*		A082J4197F	1
29	Hose, tank breather cross-over	Cut to fit	A082L6170F R/B	B082L6170F	1
30	Hose, canister air feed			A082L6173K	1
31	Purge Hose, canister to reducer			A082L6176K	1





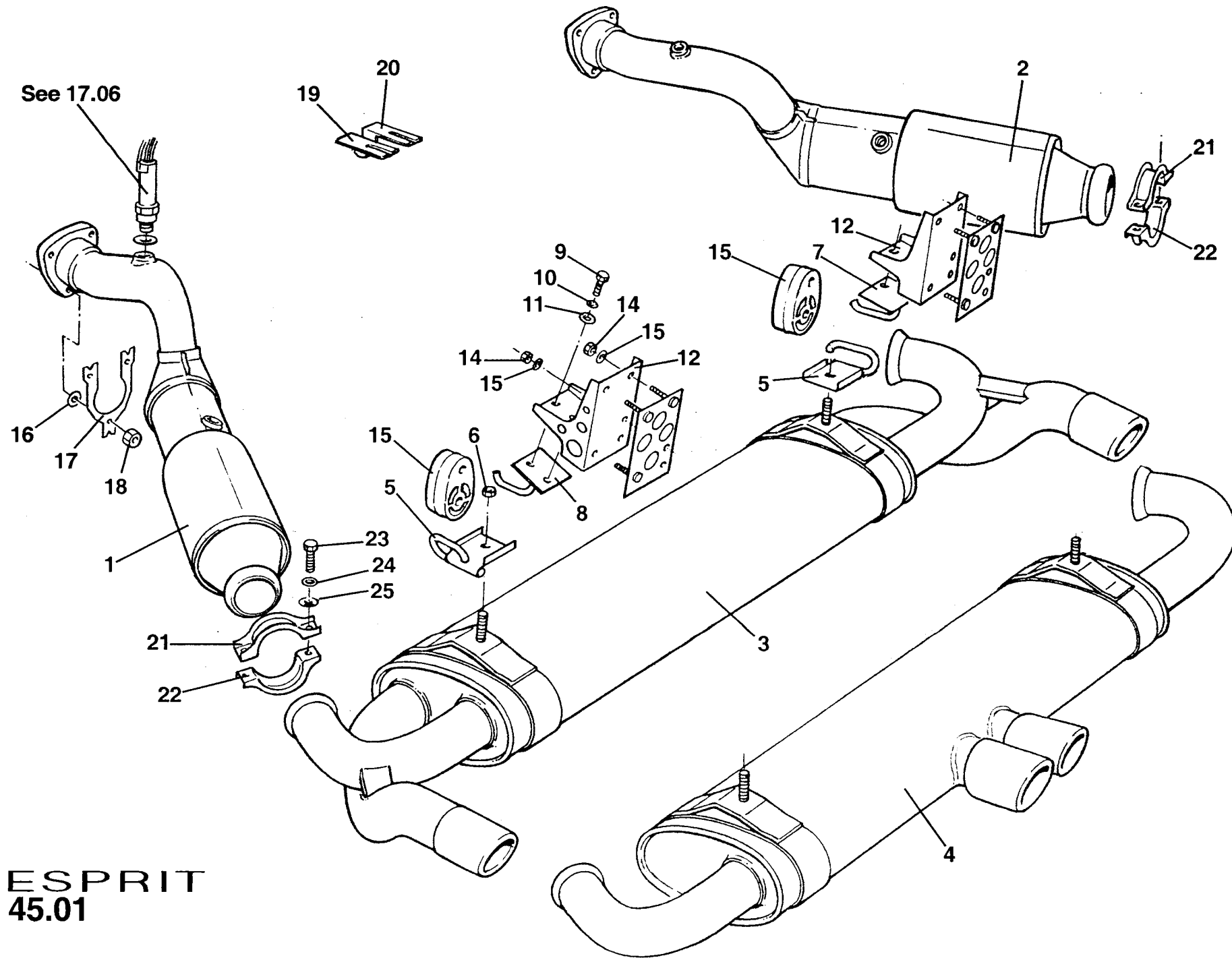
---

**Function Code 44.05b Charcoal Canister & Evaporative Loss System, GT3**

<u>Dep</u>	<u>Part Description</u>	<u>Remarks</u>	<u>Option</u>	<u>Part Number</u>	<u>Qty</u>
32	Reducer, 6-4mm, purge hose			A912E6806F	1
33	Purge Hose, reducer to non-return valve			A082L6184K	1
34	Non-return Valve, purge line			A910E6863F	1
35	Purge Hose, non-return valve to inlet manifold			A082L6171K	1
36	Breather Pipe Re-work Kit (improved driveability)	Connects canister to filler pipe mounted roll over valve*	VIN: V2150 to W2275	A082L4307J	1
		*See Service Bulletin: 1998/17			

---





**ESPRIT  
45.01**

# Service Parts List



## Function Code 45.01 Exhaust System

<u>Dep</u>	<u>Part Description</u>	<u>Remarks</u>	<u>Option</u>	<u>Part Number</u>	<u>Qty</u>
01	Catalyst Assembly, LH		Except USA/Canada	<b>A082S4223F</b>	1
01a	Catalyst Assembly, LH		USA/Canada	<b>D082S4191F</b>	1
02	Catalyst Assembly, RH		Except USA/Canada	<b>A082S4224F</b>	1
02a	Catalyst Assembly, RH		USA/Canada	<b>D082S4192F</b>	1
03	Muffler Assembly	Side outlets	V8	<b>B082S4190F</b>	1
03a	Muffler Assembly	Side outlets	V8. USA/Canada	<b>A082S4230F</b>	1
03b	Sports Exhaust	Side outlets	V8. TRACK USE ONLY	<b>A082S4227F</b>	1
03c	Label. exhaust muffler	Not illustrated	Oregon, USA	<b>A082U7861K</b>	1
04	Muffler Assembly	Twin centre outlets	2002 MY, USA	<b>A082S6060F</b>	1
05	Lower Hook, muffler to mount			<b>A082S4219F</b>	2
06	Nut, M10, muffler to lower hook			<b>A082S6051F</b>	2
07	Upper Hook, bracket to mount, RH			<b>A082S4218F</b>	1
08	Upper Hook, bracket to mount, LH			<b>A082S4217F</b>	1
09	Setscrew, M8 x 30, hex. hd., hook to bracket			<b>A075W1040Z</b>	4
10	Washer, spring, M8, hook to bracket			<b>A075W4036Z</b>	4
11	Washer flat, M8 x 20 x 2.5, hook to bracket			<b>A079W4019F</b>	4
12	Bracket, muffler mounting			<b>A082B5342F</b>	2
13	Washer, flat, M6 x 12.1 x 1.4, bracket to body			<b>A075W4013Z</b>	6

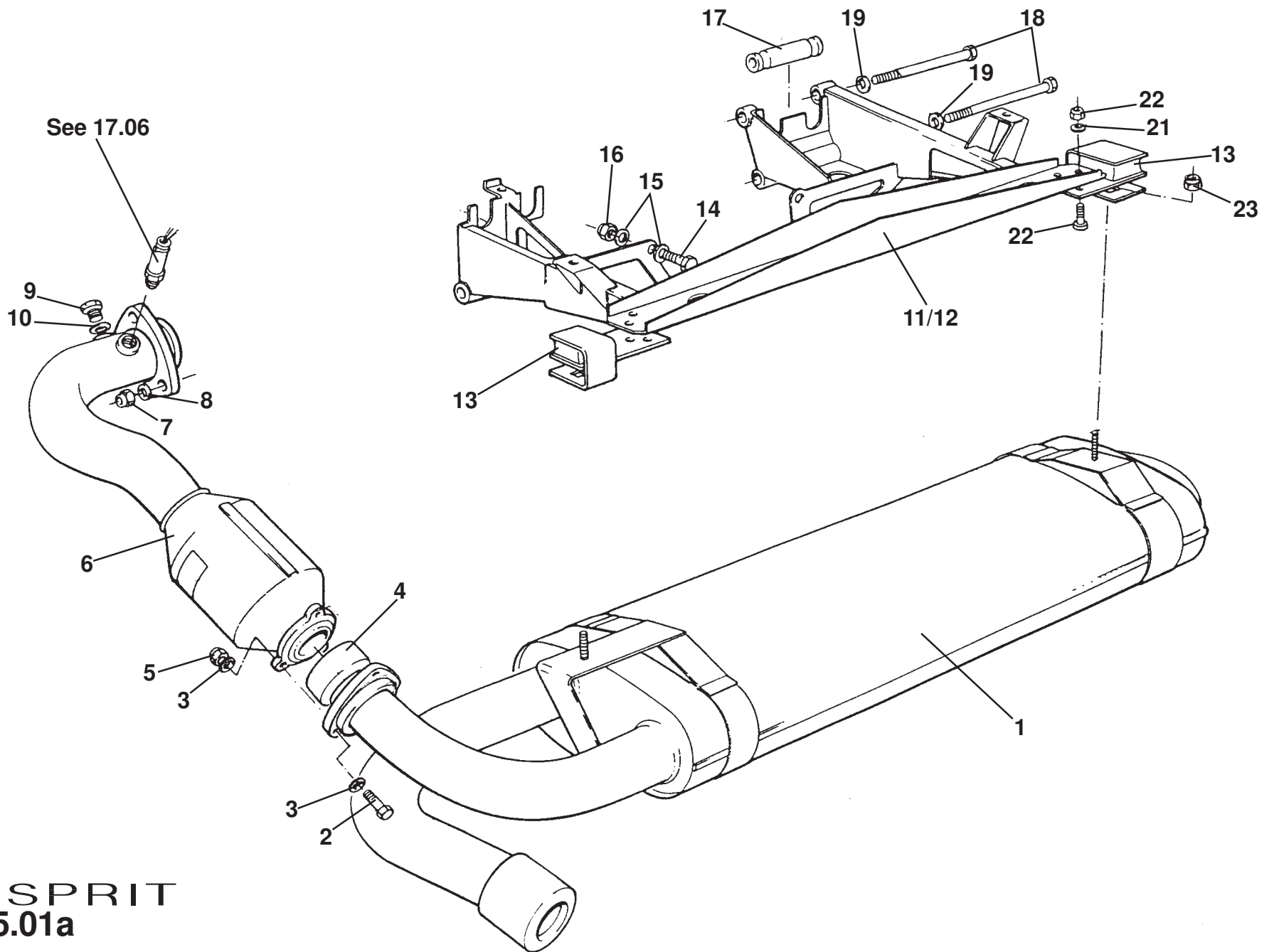
Function Code: 45.01, Page: 1

*Updated 6th June 2012*

---

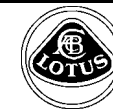
**Function Code 45.01 Exhaust System**

<u>Dep</u>	<u>Part Description</u>	<u>Remarks</u>	<u>Option</u>	<u>Part Number</u>	<u>Qty</u>
14	Nyloc Nut, M6, bracket to body			A075W3009Z	6
15	Exhaust Mounting, rubber			A082S6057F	2
16	Washer, flat, M8 x 16 x 1.4, turbo to catalyst			A075W4020Z	6
17	Lock Tab Plate, turbo to catalyst			A082S4231F	2
18	Lock Nut, M8, thermal, turbo to catalyst			A082W4161F	6
19	Bracket, O2 sensor connector support, LH	Fitted to gearbox upper casing		A082S4211K	1
20	Bracket, O2 sensor connector support, RH	Fitted to gearbox upper casing		A082S4212K	1
21	Clamp, upper, catalyst to muffler			A082S6058F	2
22	Clamp, lower, catalyst to muffler			A082S6059F	2
23	Bolt, M8 x 20, hex. hd. clamp fix.			A075W1038Z	4
24	Washer, spring M8, clamp fix.			A075W4036Z	4
25	Washer, flat, M8 x 20 x 2.5, clamp fix.			A079W4019F	4
26	Tailpipe Trim, centre outlets, federal	Fits item 4	2002 MY, USA	A082S6061S	2
27	Cover, ABS, muffler bracket	Not illustrated		A082B5382K	2



**ESPRIT**  
**45.01a**

# Service Parts List



## Function Code 45.01a Exhaust System, GT3

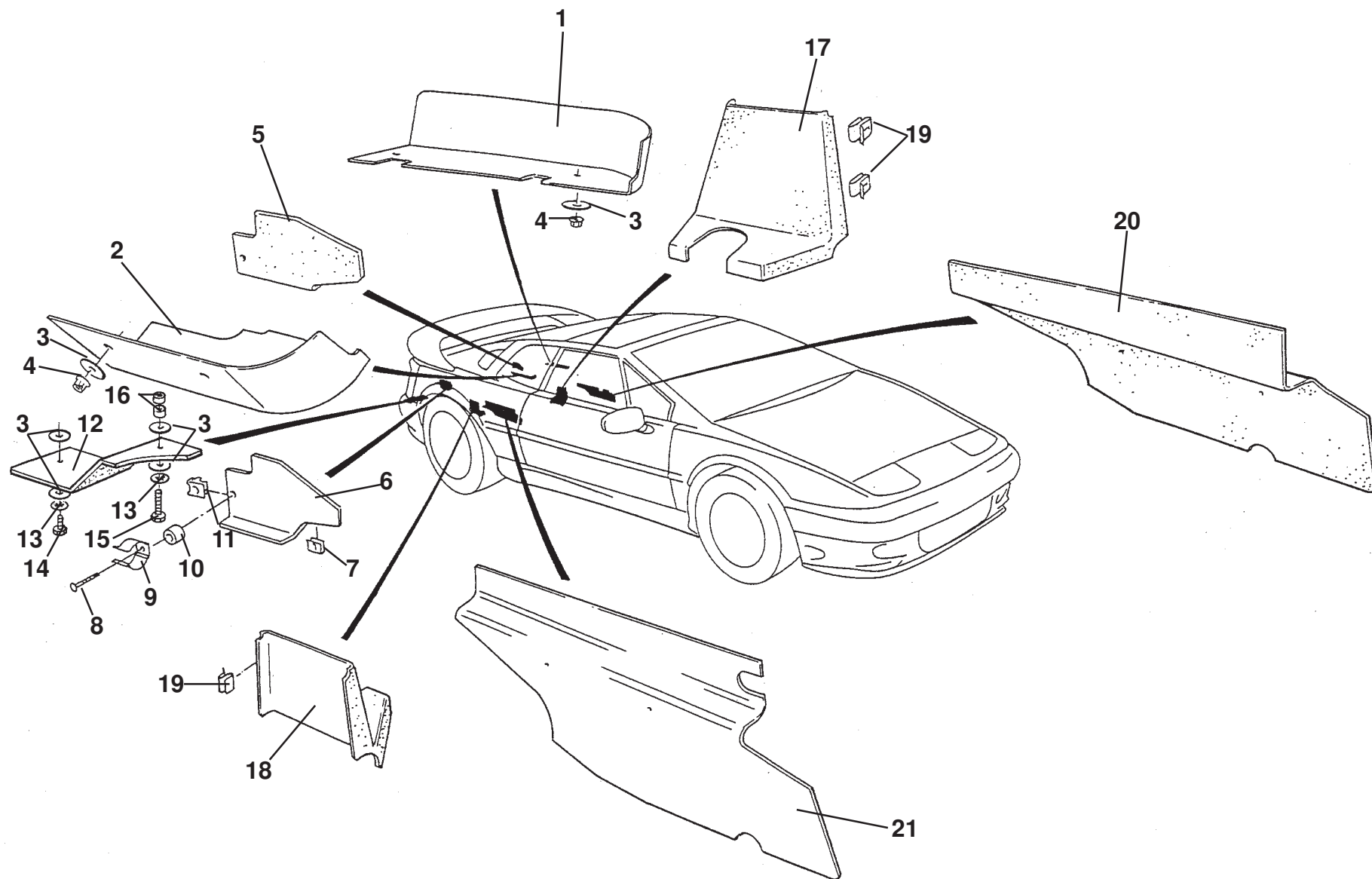
<u>Dep</u>	<u>Part Description</u>	<u>Remarks</u>	<u>Option</u>	<u>Part Number</u>	<u>Qty</u>
01	Muffler Assembly	LH outlet	GT3 , Not Australia	A082S6055F	1
01a	Muffler Assembly	RH outlet	GT3, Australia only	A082S6054F	1
02	Bolt, M8 x 75, hex. hd., muffler to catalyst			A075W2046Z	3
03	Washer, flat, M8 x 16, muffler to catalyst			A075W4020Z	6
04	Adaptor, catalyst to muffler			A082S4228F	1
05	Nut, M8, copper coated, muffler to catalyst			A075W3035Z	3
06	Catalytic Converter			D082S6045F	1
07	Nut, M10, pipe to turbo			A082S6051F	3
08	Washer, flat, M19 x 20, pipe to turbo			A075W4024Z	3
09	Blanking Plug, M10 x 15, sample port			A082S6005F	1
10	Copper Washer, M10 x 16, plug to port			A079W4061D	1
11	Exhaust Mounting Cradle	Gearchange with translator	Prior to VIN: W2272	F082F0768F	1
12	Exhaust Mounting Cradle	Gearchange without translator	VIN: W2272 on	A082F4188F	1
13	Mounting Rubber, muffler to cradle			A082S6018F	2
14	Bolt, M8 x 35, hex. hd., cradle to gearbox cover			A075W2038Z	2
15	Washer, flat, M8 x 16, cradle to gearbox cover			A075W4020Z	4
16	Nyloc Nut, M8, cradle to gearbox cover			A075W3010Z	2
17	Space/Retainer, gear change cable clamp			A082F4143F	1



---

**Function Code 45.01a Exhaust System, GT3**

<u>Dep</u>	<u>Part Description</u>	<u>Remarks</u>	<u>Option</u>	<u>Part Number</u>	<u>Qty</u>
18	Washer, flat, M8 x 16, cradle to gearbox			A075W4020Z	2
19	Bolt, M8 x 115, hex. hd., cradle to gearbox			A079W2047F	2
20	Setscrew, M8 x 25, hex. hd., mounting rubber to cradle			A075W1039Z	6
21	Washer, flat, M8 x 16, mounting rubber to cradle			A075W4020Z	6
22	Nyloc Nut, M8, mounting rubber to cradle			A075W3010Z	6
23	Nut, M10, muffler to mounting rubber			A082S6051F	2



**ESPRIT**  
**45.05**



**Function Code 45.05 Heatshields**

<u>Dep</u>	<u>Part Description</u>	<u>Remarks</u>	<u>Option</u>	<u>Part Number</u>	<u>Qty</u>
01	Heatshield, exhaust manifold, LH			A918E0225F	1
02	Heatshield, exhaust manifold, RH			A918E0226F	1
03	Washer, flat, M6 x 25 x 1.4			A075W4017Z	16
04	Nyloc Nut, M6,			A100W3108F	8
05	Heatshield, upper rear suspension pivot, LH			A082U7773K	1
06	Heatshield, upper rear suspension pivot, RH			A082U7774K	1
07	Clip, stainless, heatshield mounting			A918W6558F	2
08	Setscrew, M4 x 20, pan hd. pozi.			A075W5081F	2
09	Clip, to mounting bolt spacer			A918W6557F	2
10	Spacer, nylon			A082U6162F	2
11	Spirenut, M4			A100W6449F	2
12	Heatshield, battery box			A082U7777K	1
13	Washer, int. shakeproof, M6			A075W4046Z	2
14	Setscrew, M6 x 20, hex. hd.			A075W1030Z	1
15	Setscrew, M6 x 30, hex. hd.			A075W1032Z	1
16	Spacer, alloy			A907E0696Z	2
17	Heatshield, engine mount, LH			A082U7769K	1
18	Heatshield, engine mount, RH			A082U7770K	1
19	Clip, heatshield mounting			A082W6559F	8
20	Heatshield, fuel tank LH			A082U7771K	1
21	Heatshield, fuel tank RH			A082U7772K	1

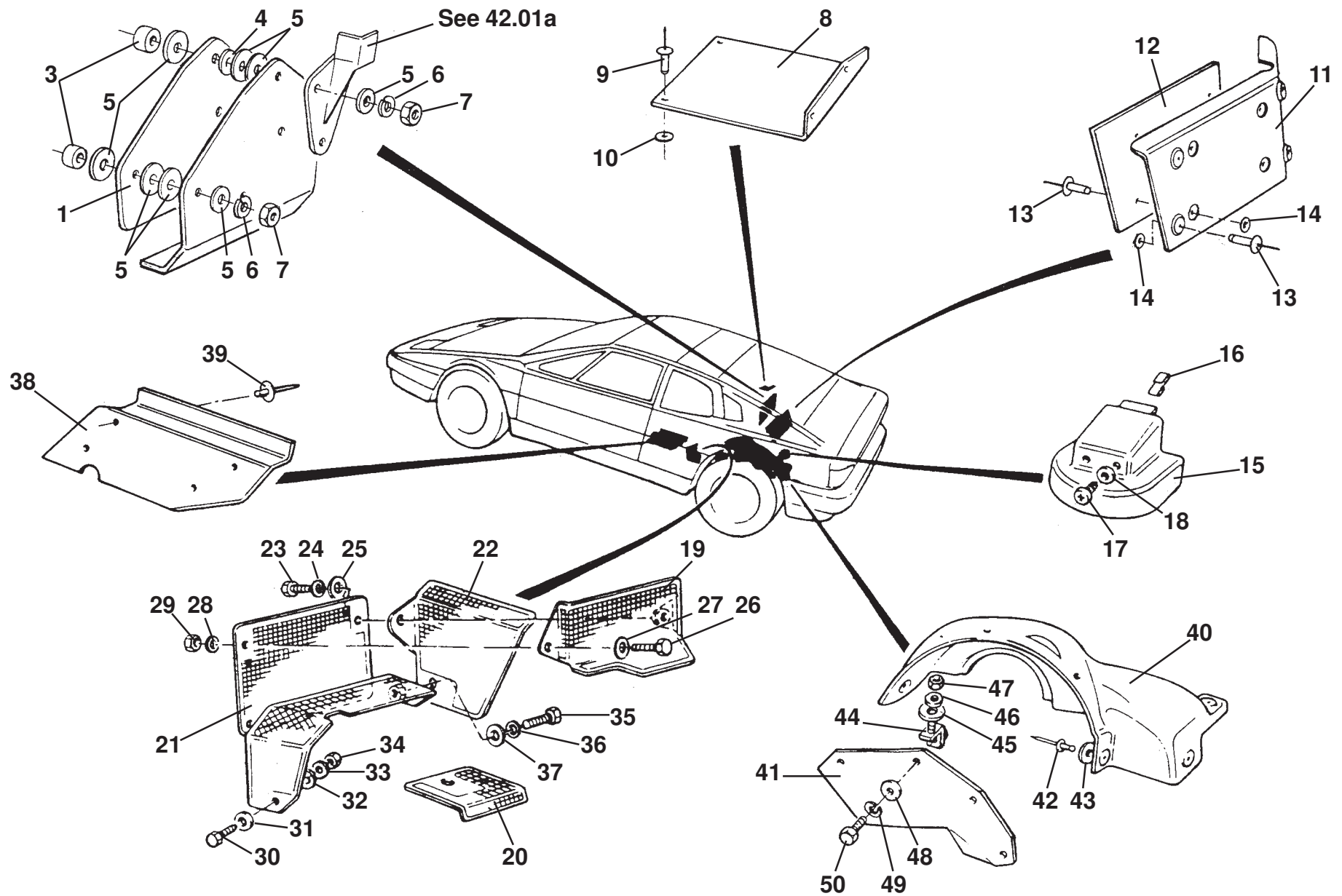
18

---

**Function Code 45.05 Heatshields**

<u>Dep</u>	<u>Part Description</u>	<u>Remarks</u>	<u>Option</u>	<u>Part Number</u>	<u>Qty</u>
22	Heatshield Foil, under boot floor/around engine bay	Not illustrated, cut to fit		<b>A065M6008V</b>	5M

---



**ESPRIT**  
**45.05a**

# Service Parts List



## Function Code 45.05a Heatshields, GT3

<u>Dep</u>	<u>Part Description</u>	<u>Remarks</u>	<u>Option</u>	<u>Part Number</u>	<u>Qty</u>
01	Heatshield, cam housings			B912E2172F	1
02	Reflector, heatshield			B912E2173F	1
03	Spacer, heatshield to cam housing			A907E0696Z	4
04	Washer, flat, M6 x 15 x 3, shield to cam housing			A075W4014Z	2
05	Washer, flat, M6 x 25.5 x 1.4, shield to cam housing			A075W4017Z	14
06	Washer, spring, M6, shield to cam housing			A075W4035Z	4
07	Nut, M6, shield to cam housing			A075W3020Z	4
08	Heatshield, engine cover			B082B5036F	1
09	Pop Rivet, heatshield to engine cover			A075W6090Z	4
10	Washer, flat, 1/8" x 3/8", heatshield to engine cover			A075W4001Z	4
11	Heatshield, engine bay rear wall			B082B4822F	1
12	Reflector, heatshield			A082S4157F	1
13	Pop Rivet, reflector to shield/shield to body	4 shield to body, 5 reflector to shield		A076W6099F	9
14	Washer, flat, 3/16" x 0.75", pop rivet securing	2 per pop rivet		A075W4009Z	18
15	Heatshield, LH rear damper			B082U4764F	1
16	Clip, heatshield to chassis			A082W6370F	1
17	Screw, No.10 x 3/8", pan. pozi., heatshield to chassis			A075W5038Z	2
18	Washer, flat, M5 x 10, heatshield to chassis			A075W4011Z	2



**Function Code 45.05a Heatshields, GT3**

<u>Dep</u>	<u>Part Description</u>	<u>Remarks</u>	<u>Option</u>	<u>Part Number</u>	<u>Qty</u>
19	Heatshield, primary engine mounting			A082E4146F	1
20	Heatshield, engine mounting cover			A082E4147F	1
21	Heatshield, engine mounting			A082E4148F	1
22	Heatshield, PAS pump			A082E4162F	1
23	Setscrew, M6 x 20, hex. hd., heatshields securing	Fixes items 21, 22 & 19 together		A075W1030Z	1
24	Washer, spring, M6, heatshields securing	Fixes items 21, 22 & 19 together		A075W4035Z	1
25	Washer, flat, M6 x 15, heatshields securing	Fixes items 21, 22 & 19 together		A075W4015Z	1
26	Setscrew, M6 x 25, hex. hd., heatshields securing	Fixes items 19 & 21 together		A075W1031Z	1
27	Washer, spring, M6, heatshields securing	Fixes items 19 & 21 together		A075W4035Z	1
28	Washer, flat, M6 x 15, heatshields securing	Fixes items 19 & 21 together		A075W3020Z	1
29	Nyloc Nut, M6, heatshields securing	Fixes items 19 & 21 together		A075W3020Z	1
30	Setscrew, M6 x 16, hex. hd., mount heatshield to chassis			A075W1028Z	1
31	Washer, spring, M6, engine mount heatshield to chassis			A075W4035Z	1
32	Washer, flat, M6 x 12, engine mount heatshield to chassis			A075W4013Z	1
33	Washer, flat, M6 x 15, engine mount heatshield to chassis			A075W3020Z	1
34	Nyloc Nut, M6, engine mount heatshield to chassis			A075W3020Z	1
35	Setscrew, M6 x 20, hex. hd., heatshields securing	Fixes items 22 & 21 together		A075W1030Z	1
36	Washer, spring, M6, heatshields securing	Fixes items 22 & 21 together		A075W4035Z	1
37	Washer, flat, M6 x 15, heatshields securing	Fixes items 22 & 21 together		A075W4013Z	1
38	Heatshield, LH fuel tank bay			A082B4561F	1
39	Pop Rivet, heatshield to body			A076W6099F	4

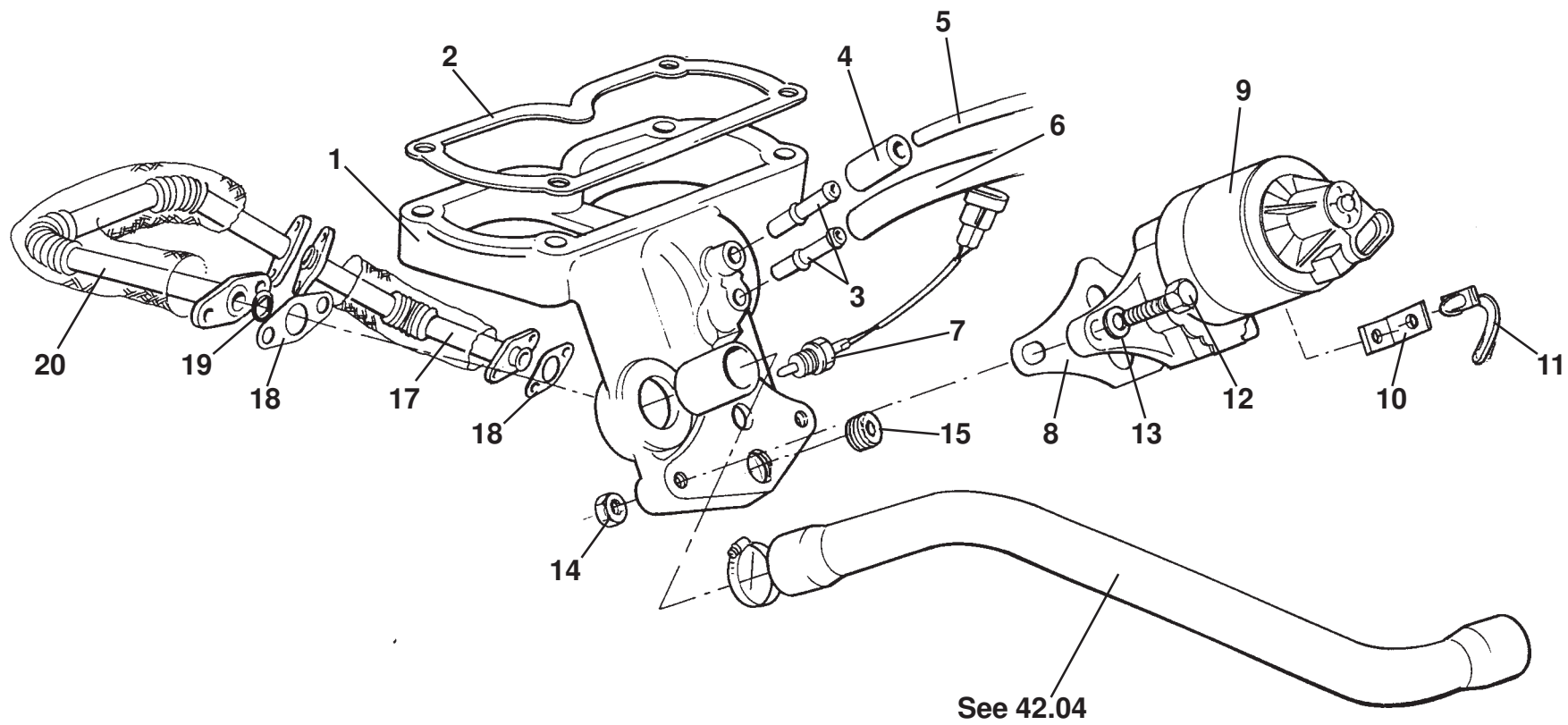


---

**Function Code 45.05a Heatshields, GT3**

<u>Dep</u>	<u>Part Description</u>	<u>Remarks</u>	<u>Option</u>	<u>Part Number</u>	<u>Qty</u>
39a	Washer, flat, M5 x 10, pop rivet securing	Not illustrated		A075W4011Z	4
40	Heatshield, LH rear wheelarch			A082B4821F	1
41	Reflector, wheelarch heatshield			B082S4163F	1
42	Pop Rivet, heatshield to body			A076W6099F	5
43	Washer, flat, 3/16" x 0.5", pop rvet securing			A075W4000Z	5
44	Bracket, heatshield to wheelarch			B082S4156F	3
45	Washer, flat, M6 x 15, bracket to heatshield			A075W4015Z	3
46	Washer, shakeproof, M6, bracket to heatshield			A075W4046Z	3
47	Half Nut, M6, bracket to heatshield			A075W3085Z	3
48	Washer, flat, M6 x 25.5 x 1.4, reflector to bracket			A075W4017Z	4
49	Washer, spring, M6, reflector to bracket			A075W4035Z	4
50	Setscrew, M6 x 12, hex. hd., reflector to bracket			A075W4027Z	4





**ESPRIT**  
**45.07**

# Service Parts List



## Function Code 45.07 E.G.R components, Valve, Manifold, Pipes

<u>Dep</u>	<u>Part Description</u>	<u>Remarks</u>	<u>Option</u>	<u>Part Number</u>	<u>Qty</u>
01	Manifold, EGR valve		All USA + ROW '01 MY on	<b>A918E0220J</b>	1
01a	Manifold, EGR valve		ROW prior to '01 MY	<b>B918E0313JK</b>	1
02	Gasket, EGR manifold to Plenum		All USA + ROW '01 MY on	<b>A918E0024F</b>	1
03	Connector Spigot		All USA + ROW '01 MY on	<b>A918E0304F</b>	2
04	Connecting Hose, spigot to breather hose	Cut to length	All USA + ROW '01 MY on	<b>A918E0278F</b>	1
05	Hose, manifold to charcoal canister	Cut to length	All USA + ROW '01 MY on	<b>A075L6043V</b>	1
06	Hose, breather, manifold to head	Cut to length	All USA + ROW '01 MY on	<b>A918E0278F</b>	1
07	Temperature Sensor, EGR		All USA + ROW '01 MY on	<b>A918E6040F</b>	1
08	Gasket, EGR valve to manifold		All USA + ROW '01 MY on	<b>A918E0032F</b>	1
09	EGR Valve	A918E6017F R/B	All USA + ROW '01 MY on	<b>B918E6017F</b>	1
10	Bracket, clip to EGR valve		All USA + ROW '01 MY on	<b>A918E0263F</b>	1
11	Clip, cable tie retaining M8 x 35		All USA + ROW '01 MY on	<b>A082W6520F</b>	1
12	Screw, M8 x 35, hex. hd., EGR valve to manifold		All USA + ROW '01 MY on	<b>A075W1041Z</b>	2
13	Washer, flat, M8 x 13, EGR valve to manifold		All USA + ROW '01 MY on	<b>A075W4079Z</b>	2
14	Nut, M8, EGR valve to manifold		All USA + ROW '01 MY on	<b>A075W3021Z</b>	2
15	Blanking Plug		ROW prior to '01 MY	<b>A918W6562F</b>	1
16	Connecting Spigot, IAC hose		All USA + ROW '01 MY on	<b>B918E0105F</b>	1
17	Pipe, flange to exhaust manifold LH		All USA + ROW '01 MY on	<b>A918E0200F</b>	1

Function Code: 45.07, Page: 1

Updated 28th January 2011



---

**Function Code 45.07 E.G.R components, Valve, Manifold, Pipes**

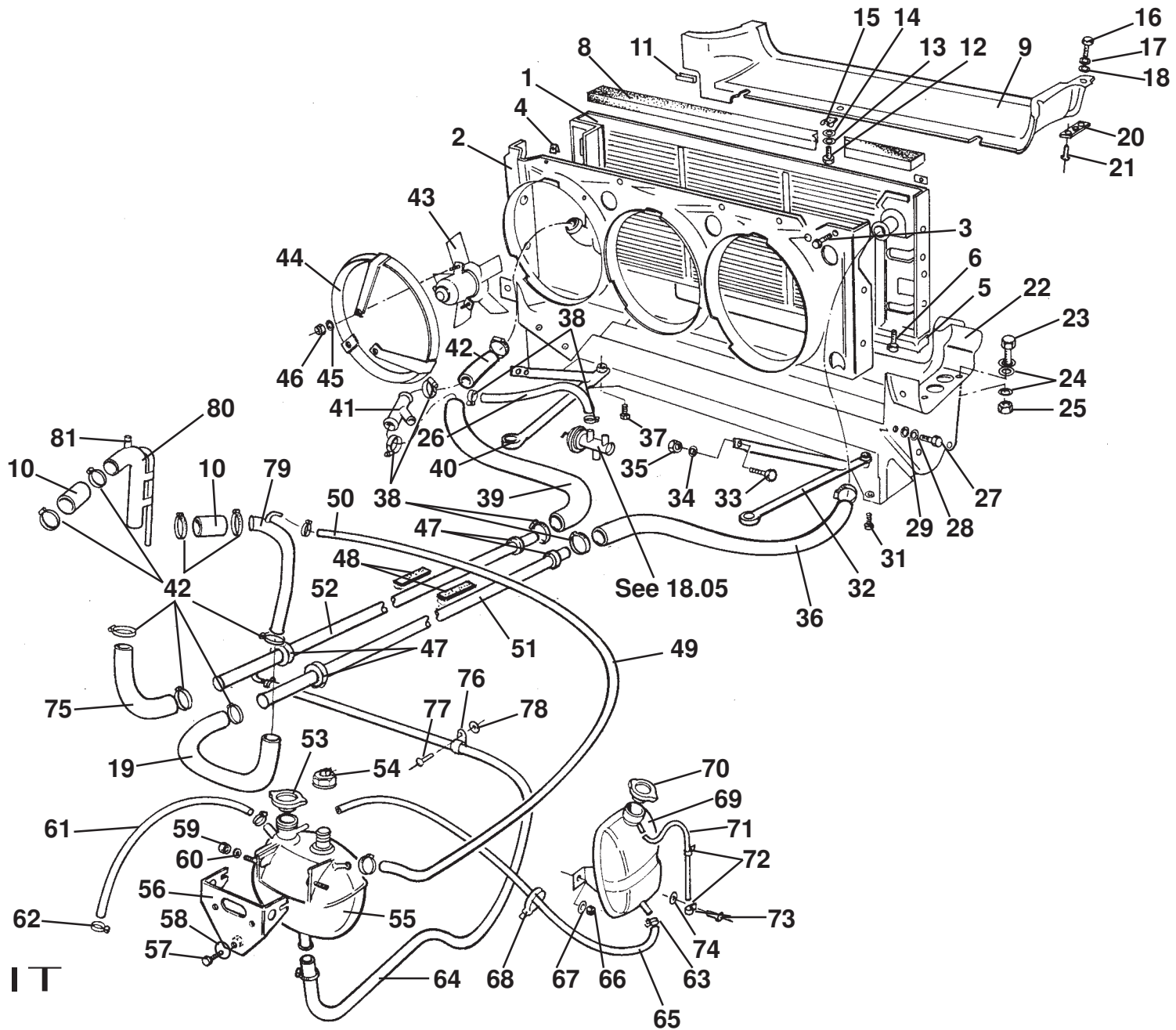
<u>Dep</u>	<u>Part Description</u>	<u>Remarks</u>	<u>Option</u>	<u>Part Number</u>	<u>Qty</u>
18	Gasket, manifolds to flanges		All USA + ROW '01 MY on	<b>A918E0033F</b>	2
19	'O' Ring, flange sealing		All USA + ROW '01 MY on	<b>A918E6026F</b>	1
20	Pipe. EGR manifold to flange		All USA + ROW '01 MY on	<b>A918E0199F</b>	1

Note: Early cars, all had EGR this was dropped as not needed until 2001 MY

---

---

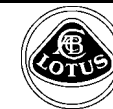
18



**ESPRIT  
46.01**

*Updated 16th July 2012*

# Service Parts List



## Function Code 46.01 Engine Cooling System & Fan

<u>Dep</u>	<u>Part Description</u>	<u>Remarks</u>	<u>Option</u>	<u>Part Number</u>	<u>Qty</u>
01	Radiator			A082K4237F	1
02	Cowl, radiator fans			E082K4102K	1
03	Screw, pozi No 6 x 1/2", cowl to radiator			A075W5014Z	4
04	Retaining Clip, cowl to radiator			A079W6187F	12
05	Foam Seal, lower			A089K0131F	As req.
06	Drain plug, 1/8" BSPT			B075K6011F	2
07	Spire Nut, No 6., cowl to radiator			A075W6013Z	4
08	Foam Seal, upper			A079K4001F	1
09	Intake Duct, valence to radiator			A082B5384K	1
10	Hose, pipes to engine			A082K4259F	2
11	Edging Strip, radiator duct			A085U6080V	As req.
12	Screw, M5 x 16, duct fix.			A082W5107F	5
13	Washer, flat, 3/16" x 3/4" x 16g			A075W4009Z	5
14	Washer, spring, M5			A082W4097F	5
15	Spire Nut, M5, duct fix.			A100W6372F	3
16	Setscrew, M6 x 25, hex. hd., duct fix.			A075W1031F	2
17	Washer, internal shakeproof, M6, duct fix.			A075W4046Z	2
18	Washer flat, M6 x 25.5 x 1.4, duct fix.			A075W4017Z	2

Function Code: 46.01, Page: 1

Updated 3rd March 2014

**Function Code 46.01 Engine Cooling System & Fan**

<u>Dep</u>	<u>Part Description</u>	<u>Remarks</u>	<u>Option</u>	<u>Part Number</u>	<u>Qty</u>
19	Hose, coolant feed			A082K4255F	1
20	Tapping Plate, duct fix.			B082B4811F	1
21	Pop Rivet, plate to body			A075W6071Z	4
22	Radiator housing			A082B5365K	1
23	Setscrew, M8 x 25, hex. hd., housing to body			A075W1039Z	4
24	Washer flat, M8 x 16.6 x 1.4, housing to body			A075W4020Z	8
25	Nyloc Nut, M8, housing to body			A075W3010Z	4
26	Hose, junction pipe to diverter valve		V8	A082K4293F	1
27	Setscrew, M6 x 18, housing to radiator			A075W1029Z	4
28	Washer spring, M6, housing to radiator			A075W4035Z	4
29	Washer flat, M6 x 25.5 x 1.4, housing to radiator			A075W4017Z	4
30	Reinforcing Plate, rad. duct, LH			B082U7295F	1
30a	Reinforcing Plate, rad, duct, RH			B082U7296F	1
31	Setscrew, M8 x 25, brace to radiator			A075W1081Z	2
32	Radiator Brace, RH			A082K4232F	1
33	Setscrew, M8 x 20, brace to chassis			A075W1038Z	2
34	Washer flat, M8 x 16.6 x 1.4, brace to chassis			A075W4020Z	2
35	Nyloc Nut, M8, brace to chassis			A075W3010Z	2
36	Hose, radiator inlet			A082K4242F	1
37	Setscrew, M8 x 25, housing to body			A075W1039Z	4
38	Hose Clip, 32-50 mm			A079K6019F	2

18

**Function Code 46.01 Engine Cooling System & Fan**

<u>Dep</u>	<u>Part Description</u>	<u>Remarks</u>	<u>Option</u>	<u>Part Number</u>	<u>Qty</u>
39	Hose, radiator outlet	Cut to make item 42 (not GT3)	V8	B082K4243F	1
40	Radiator Brace, LH			A082K4231F	1
41	Junction Pipe Connector		V8	A082K4276F	1
42	Hose, junction pipe to radiator outlet	Made from item 39	V8	B082K4243F	1
43	Radiator Fan & Motor Assembly			B082K6065F	3
44	Shroud, fan mounting			A079K4174F	1
45	Spacer, aluminium, shroud to fan			A907E0696Z	9
46	Nyloc Nut, M6, shroud to fan	Fan motor to mounting		A907E6285F	9
47	Grommet, coolant pipe through chassis			A082K6022F	6
48	Anti-Vibration Pad, coolant pipe			A082A4286K	2
49	Bleed Hose, to header tank			B082K4254F	1
50	Restrictor, bleed hose	Fits inside bleed hose		A082K4286F	1
51	Coolant Pipe, feed, (RH)		Prior to '98 MY	A082K4239F	1
51a	Coolant Pipe, feed, (RH)	Flat to clear, '98 MY gearchange	'98 MY on	A082K4300F	1
52	Coolant Pipe, return, (LH)		Prior to '98 MY	A082K4273F	1
52a	Coolant Pipe, return, (LH)	Flat to clear, '98 MY gearchange	'98 MY on	A082K4299F	1
53	Pressure Cap, 20psi/140 kpa, header tank	Seal not included		A082K6074F	1
53a	Seal, pressure cap			A082K4290F	1
54	Coolant Level Switch, header tank			A082K6068F	1
55	Header Tank			A082K6067F	1
56	Mounting Bracket, header tank			A082K4267F	1

18

**Function Code 46.01 Engine Cooling System & Fan**

<u>Dep</u>	<u>Part Description</u>	<u>Remarks</u>	<u>Option</u>	<u>Part Number</u>	<u>Qty</u>
57	Setscrew, M6 x 16, bracket to body			A075W1082Z	3
58	Washer flat, M6 x 25.5 x 1.4, bracket to body			A075W4017Z	3
59	Nyloc Nut, M6, tank to bracket			A075W3009Z	2
60	Washer flat, M6 x 18 x 1.0, tank to bracket			B082W4018F	2
61	Hose, turbo to tank			A082K4287F	1
62	Hose clip, 1/2"			A075U6082F	2
63	Hose clip, 1/2"			A075U6082F	2
64	Hose, header tank to block			B082K4251F	1
65	Hose, overflow, header tank to expansion tank	Cut to fit	A082K4280K R/B	A036L0085V	As req.
66	Nyloc Nut, M6, expansion tank fix.			A075W3009Z	2
67	Washer flat, M6 x 18 x 1.0, expansion tank fix.			B082W4018F	2
68	Cable Tie, hose retention			A075W6038Z	1
69	Expansion tank			A082K6040F	1
70	Blanking Cap, expansion tank			A082K6041F	1
71	Overflow Hose, expansion tank	Cut to fit	A082K4278K R/B	A036L0085V	As req.
72	'P' Clip, hose retention			A075W6004Z	2
73	Pop Rivet, clip fix.			A075W6090Z	2
74	Washer flat, 5/32" x 3/8", clip fix.			A075W4062F	2
75	Hose, coolant return			A082K4256F	1
76	'P' Clip, hose retention			A075W6230F	2
77	Pop Rivet, 3/16", clip fix.			B075W6089Z	2

18

---

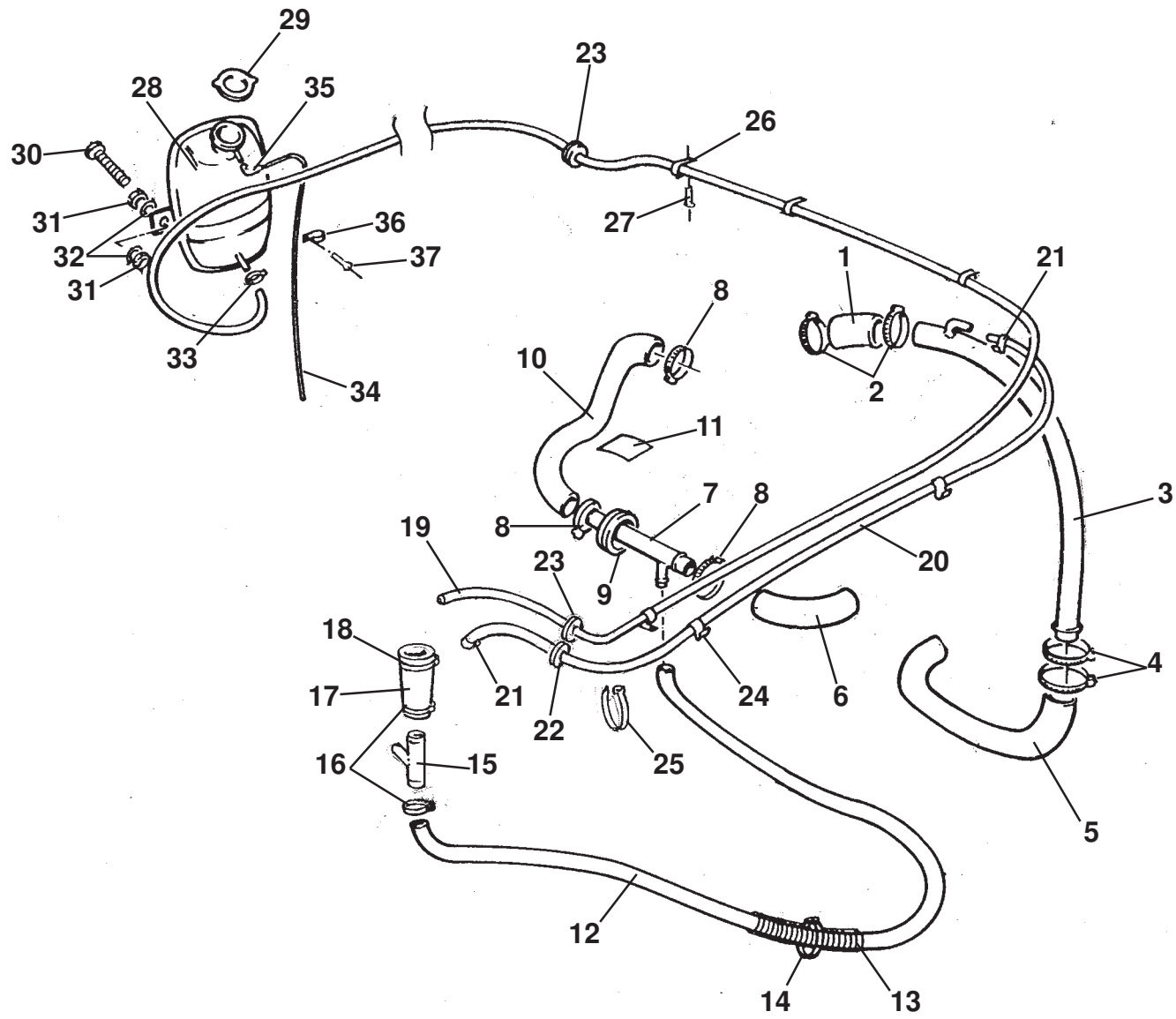
**Function Code 46.01 Engine Cooling System & Fan**

<u>Dep</u>	<u>Part Description</u>	<u>Remarks</u>	<u>Option</u>	<u>Part Number</u>	<u>Qty</u>
78	Washer, 5/32" x 3/8", clip fix.			A075W4062F	2
79	Pipe, engine coolant outlet			A082K4250F	1
80	Pipe Assembly, engine coolant inlet			A082K4272F	1
81	Bleed Plug, 1/8" BSPT			B075K6011F	1

---

---

18



ESPRIT  
46.01a



# Service Parts List



## Function Code 46.01a Engine Cooling System & Fan, GT3

<u>Dep</u>	<u>Part Description</u>	<u>Remarks</u>	<u>Option</u>	<u>Part Number</u>	<u>Qty</u>
01	Hose, thermostat housing to coolant pipe			B912E1839F	1
02	Hose Clip, hose to housing/pipe			A910E6389F	2
03	Coolant Pipe, engine outlet			B082K4223F	1
04	Hose Clip, 25-40mm, coolant hoses to pipe			A075M6145F	2
05	Hose, outlet pipe to chassis pipe			A082K4207K	1
06	Elbow Hose, chassis pipe to junction pipe			B082K4127K	1
07	Junction Pipe, header tank take-off			B082K4191F	1
08	Hose Clip, hoses to pipes			A075K6014F	4
09	Grommet, junction pipe through chassis			A082U6109F	1
10	Hose, coolant pump inlet			A082K4190F	1
11	Pad, hose protection, hose to chassis			A082U5008F	1
12	Hose, header tank feed			A082P6055F	1
13	Protective Sleeving, header tank feed hose			A082F4148K	1
14	Cable Tie, header tank feed hose securing			A075W6045Z	1
15	'T' Piece, header tank feed			B910E7006F	1
16	Oetiker Clip, hoses to 'T' piece			B082K6060F	2
17	Reducing Hose, header tank to 'T' piece	For header tank see 46.01		A082K4245F	1
18	Hose Clip, 20-32mm, hose to header tank			B907E6085Z	1

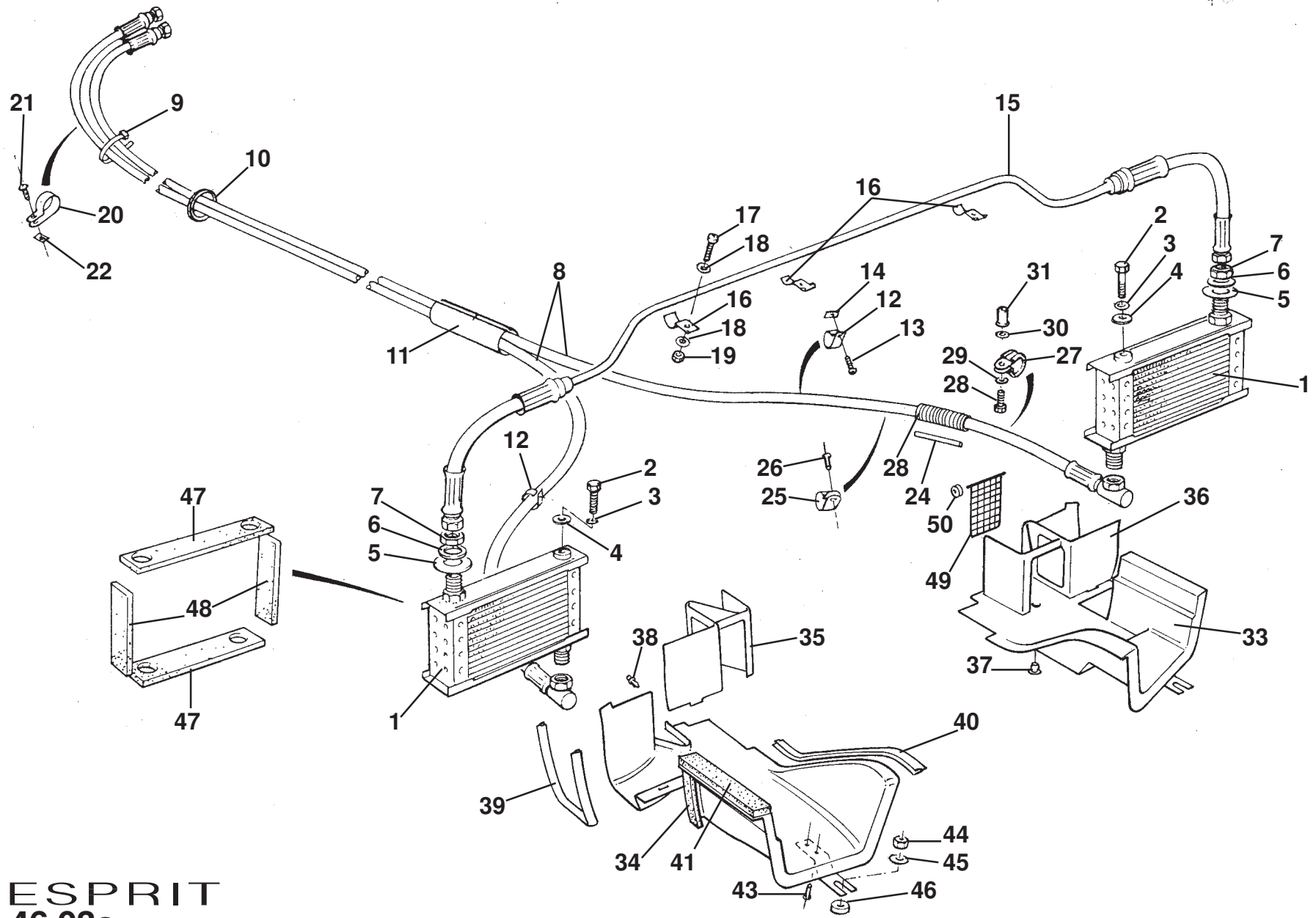


**Function Code 46.01a Engine Cooling System & Fan, GT3**

<u>Dep</u>	<u>Part Description</u>	<u>Remarks</u>	<u>Option</u>	<u>Part Number</u>	<u>Qty</u>
19	Hose, overflow, header tank to expansion tank			A075L6043V	3.2M
20	Hose, air bleed, outlet pipe to header tank			E075K0113Z	1
21	Hose Clip, air bleed hose to tank/pipe spigot			A075U6082Z	2
22	Grommet, bleed hose through RH sidewall			A089W6066F	4
23	Grommet, overflow hose through sidewalls			X050J0135Z	2
24	'P' Clip, air bleed hose to airbox cover			A082W6257F	3
25	Cable Tie, bleed hose to harness			A075W6038Z	3
26	'P' Clip, overflow pipe securing			A075W6228F	3
27	Pop Rivet, 'P' clip fixing			A075W6071Z	3
28	Expansion Tank			A082K6040F	1
29	Blanking Cap, expansion tank			A082K6041F	1
30	Setscrew, M6 x 25, hex. hd., tank to body			A075W1031Z	2
31	Nut, M6, tank to body			A075W3020Z	4
32	Washer, flat, M6 x 18, tank to body			A075W4017Z	4
33	Hose Clip, 8-16mm, hose to tank			A082L6042F	1
34	Overflow Pipe, expansion tank			A036L0085V	1M
35	Elbow, overflow pipe to tank			X036J0135Z	1
36	'P' Clip, pipe retention			A075W6000Z	1
37	Pop Rivet, 'P' clip fixing			A075W6066Z	1

Note: for all parts which are  
common to V8; see 46.01





**ESPRIT**  
**46.03a**

# Service Parts List



## Function Code 46.03a Oil Coolers, Pipes & Hoses, GT3

<u>Dep</u>	<u>Part Description</u>	<u>Remarks</u>	<u>Option</u>	<u>Part Number</u>	<u>Qty</u>
01	Oil Cooler			B082K4225F	2
02	Setscrew, M8 x 35, hex. hd., oil cooler to body			A075W1041Z	2
03	Washer, flat, M8 x 25, oil cooler to body			A075W4036Z	2
04	Washer, rubber, oil cooler to body			A036L6019Z	4
05	Washer, spreader, oil cooler to body			A082K6055F	2
06	Washer, spacer, oil cooler to body			A082K4233F	2
07	Thin Nut, 5/8", BSP, oil cooler to body			A082K6054F	2
08	Hose Assembly, oil cooler feed/return			A910E2519F	2
09	Cable Tie, oil cooler hoses			A075W6038Z	3
10	Edging Strip, oil cooler hoses through chassis			AX75L6020V	As req.
11	Foam Tube, hose protection, chassis front			A082E6022V	85mm
12	'P' Clip, oil cooler hose securing			A075W6236F	3
13	Screw, No.8 x 0.5", pan hd. pozi., 'P' clip fixing			A075W5034Z	3
14	Spire Nut, No 8, 'P' clip fixing			A075W6011Z	3
15	Oil Pipe assembly, oil cooler cross-over			A910E2520F	1
16	Clip, cross-over pipe to body			A082W6342F	3
17	Screw, M4 x 20, pan hd. pozi., clip fixing			A075W5081F	3
18	Washer, flat, M4, clip fixing			A082W4099F	3



**Function Code 46.03a Oil Coolers, Pipes & Hoses, GT3**

<u>Dep</u>	<u>Part Description</u>	<u>Remarks</u>	<u>Option</u>	<u>Part Number</u>	<u>Qty</u>
19	Nyloc Nut, M4, clip fixing			A075W3049F	3
20	'P' Clip, oil cooler pipes securing			A075H6018Z	4
21	Screw, No.8 x 0.25", pan hd. pozi., clip fixing			A075W5036Z	4
22	Spire Nut, No.8, clip fixing			A075W6011Z	4
23	Convolute Hose Protector			A082V7779V	300mm
24	Edging Strip, hose to chassis protection			AX75L6020V	200mm
25	'P' Clip, oil cooler pipes securing			A075W6018Z	2
26	Pop Rivet, clip fixing			A075W6092Z	2
27	'P' Clip, oil cooler pipes securing	Metal with rubber insert		A910E6742F	4
28	Setscrew, M6 x 30, hex. hd., clip fixing			A075W1030Z	2
29	Washer, spring, M6, clip fixing			A075W4035Z	2
30	Washer, flat, M6, clip fixing			A075W4020Z	2
31	Pulsert, M6, clip fixing			A075W6156F	2
32	Duct, oil cooler, RH			B082B5070K	1
33	Duct, oil cooler, LH			B082B5069K	1
34	Foam Seal, duct to spoiler			A082U7601K	2
35	Air Splitter, oil cooler duct, RH			A082B5074K	1
36	Air Splitter, oil cooler duct, LH			A082B5073K	1
37	Clip, splitter to duct			A082W6356F	6
38	Plastic Fastener, splitter to duct			A100W6479F	2
39	Lip Seal, duct outlet			A100B6039V	1.5M

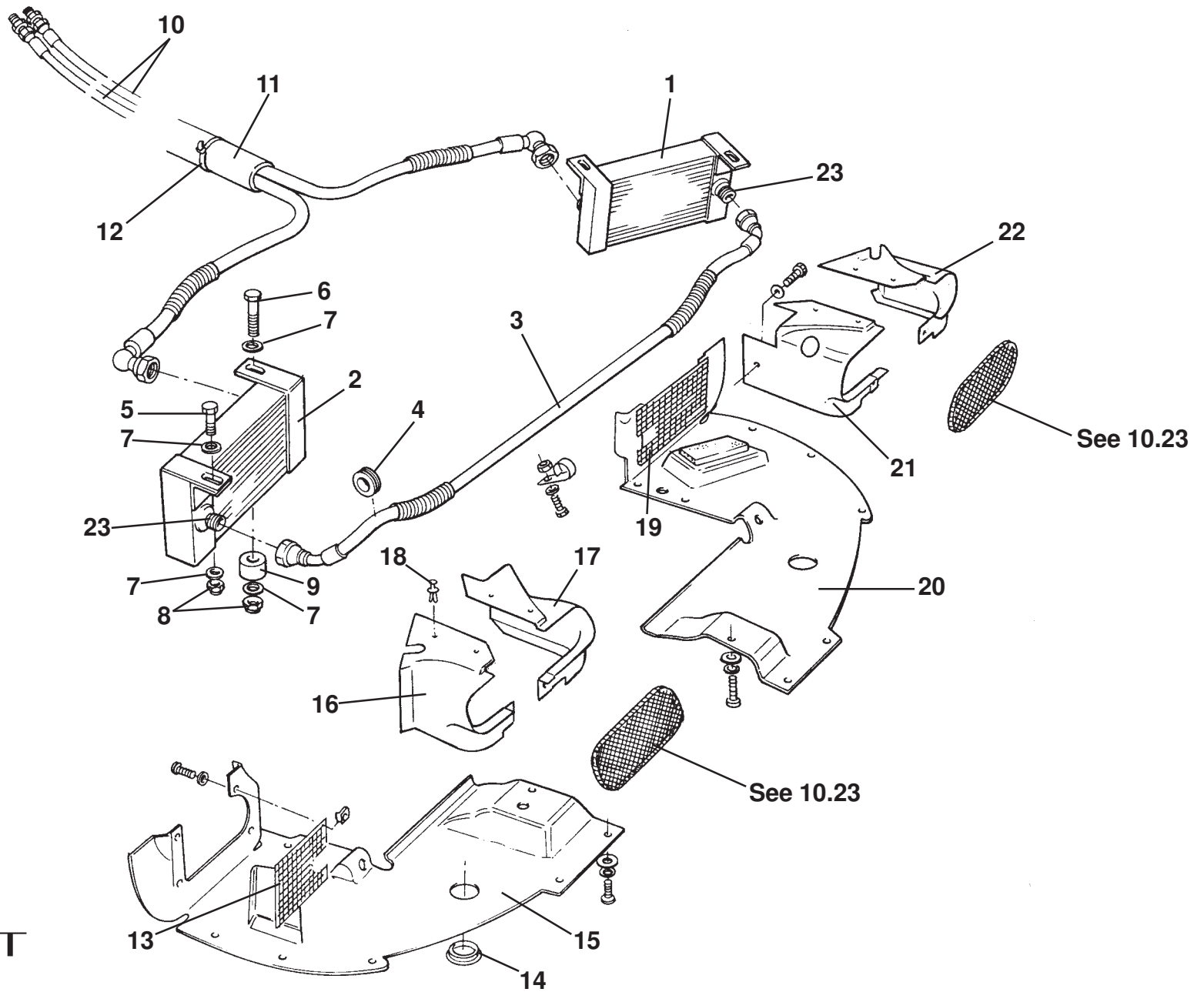


---

**Function Code 46.03a Oil Coolers, Pipes & Hoses, GT3**

<u>Dep</u>	<u>Part Description</u>	<u>Remarks</u>	<u>Option</u>	<u>Part Number</u>	<u>Qty</u>
40	Edging Strip, oil cooler duct			<b>B075U6054V</b>	260mm
41	Foam Seal, self adhesive, duct to body			<b>A082U6067V</b>	340mm
41a	Foam Seal, self adhesive, splitter to body	Not illustrated		<b>A082U6067V</b>	180mm
42	Bracket, oil cooler duct retention			<b>A082B5094F</b>	2
43	Pop Rivet, bracket to duct			<b>A075W6069Z</b>	4
44	Nyloc Nut. M4, duct to undertray			<b>A075W3009Z</b>	2
45	Washer, flat, M6 x 15, duct to undertray			<b>A075W4015Z</b>	2
46	Spacer, duct to undertray			<b>A100L6007F</b>	2
47	Foam Seal, oil cooler upper & lower			<b>A082U7339F</b>	4
48	Foam Seal, oil cooler sides			<b>A082U7340F</b>	4
49	Grille, oil cooler rear			<b>A082U7334F</b>	2
50	Grommet, grille to duct			<b>A082B6158F</b>	6





**ESPRIT**  
**46.03b**

# Service Parts List



## Function Code 46.03b Oil Coolers, Pipes & Hoses, V8

<u>Dep</u>	<u>Part Description</u>	<u>Remarks</u>	<u>Option</u>	<u>Part Number</u>	<u>Qty</u>
01	Oil Cooler, LH			A082K4271F	1
02	Oil Cooler, RH			A082K4270F	1
03	Hose Assembly, RH Oil Cooler to LH Oil Cooler			B082K4274F	1
04	Grommet, hose assy. thro' rad, housing			A082P6045F	4
05	Bolt, M8 x 25, hex. hd., oil cooler to body			A075W1039Z	2
06	Bolt Hex Head M8 x 40, oil cooler to body			A075W2039D	2
07	Washer Flat M8 x 16.6 x 1.4oil cooler to body			A075W4020Z	4
08	Nut M8 Nylocoil cooler to body			A907E6284F	4
09	Spacer 20mmoil cooler to body			A082K4288K	2
10	Hose Assembly Oil Cooler to engine			B082K4264F	2
11	Pipe, hose protection	Cut to fit		A082E6022V	1
12	Cable Tie			A075W6038Z	6
13	Grille, oil cooler RH	Fitted to duct platform		A082U7824F	1
14	Blanking Grommet, duct platform			A082U6073F	2
15	Duct Platform, RH			A082B5364K	1
16	Duct, outer, RH			A082B5368K	1
17	Duct, inner, RH			A082B5388K	1
18	Plastic Fasrener, duct fixing			A100W6479F	6

Function Code: 46.03b, Page: 1

Updated 28th January 2011



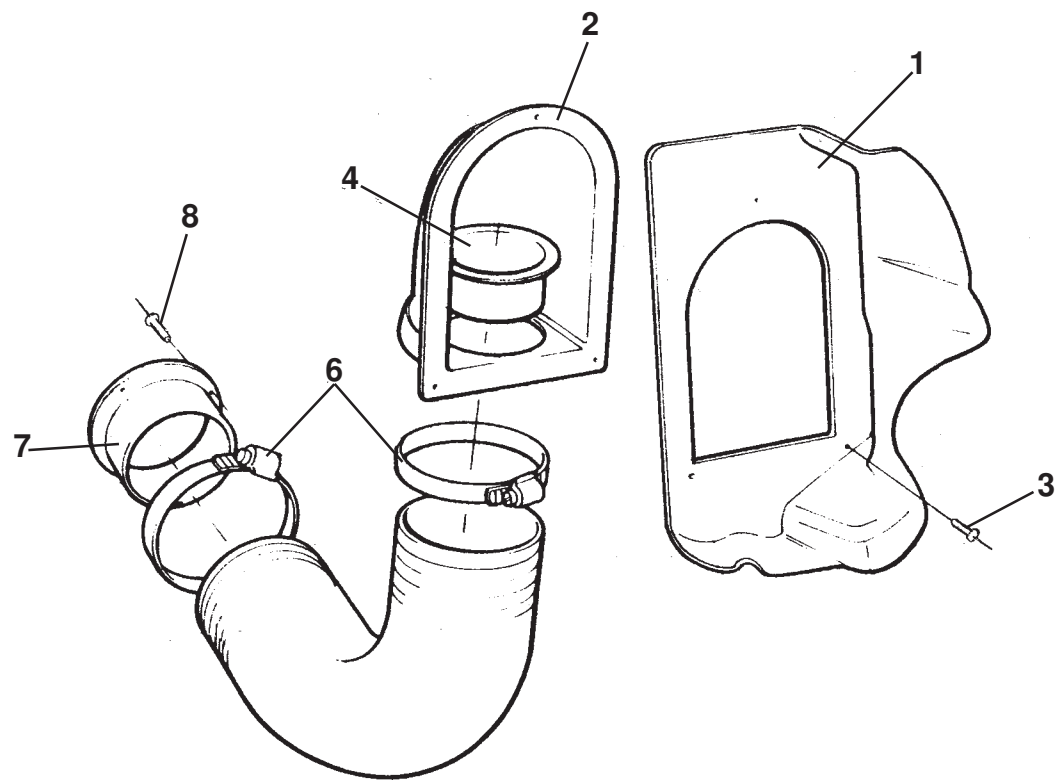
---

**Function Code 46.03b Oil Coolers, Pipes & Hoses, V8**

<u>Dep</u>	<u>Part Description</u>	<u>Remarks</u>	<u>Option</u>	<u>Part Number</u>	<u>Qty</u>
19	Grille, oil cooler LH	Fitted to duct platform		A082U7823F	1
20	Duct Platform, LH			A082B5363K	1
21	Duct, inner, LH			A082B5387K	1
22	Duct, outer, LH			A082B5369K	1
23	Adaptor, cooler to hose assy.			A082K6075F	4
23a	Dowty Washer, adaptor to cooler	Not illustrated		A082K6077S	4
24	Sealing Foam, oil coolers	Not illustrated		A089K0131F	2
25	Screw M5 x 16mm pan pozi s/s blk	Fixing for items 13 & 19		A082W5184F	4
26	Rawnut 5MM	Fixing for items 13 & 19		A075W6074F	4
27	Washer M5 x 10x 0.8 s/s blk	Fixing for items 13 & 19		A111W4168F	4

---

*18*



ESPRIT  
46.05a

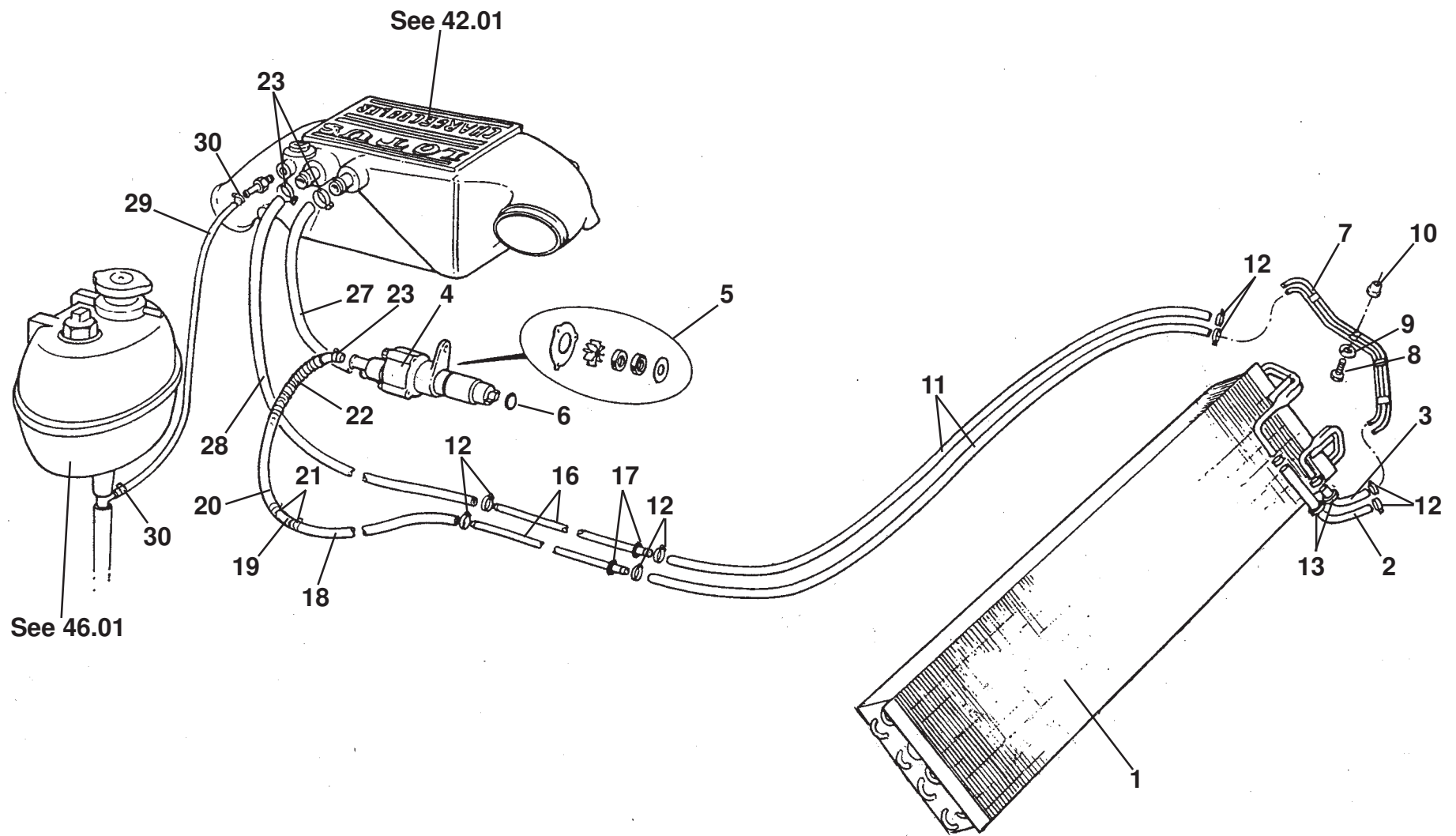
# Service Parts List



## Function Code 46.05a Engine Bay Cooling Ducts & Trunking, GT3

<u>Dep</u>	<u>Part Description</u>	<u>Remarks</u>	<u>Option</u>	<u>Part Number</u>	<u>Qty</u>
01	Intake Duct, engine bay ventilation, LH	For RH see 42.01a		B082B4771K	1
01a	Pop Rivet, intake duct to body	Not illustrated		A075W6092Z	4
02	Adaptor Panel, intake duct to spigot			A082B6215K	1
03	Pop Rivet, adaptor panel to duct			A075W6094Z	6
03a	Washer, flat, M6, pop rivet securing	Not illustrated		A075W4013Z	6
04	Adaptor Spigot, adaptor panel to trunking	bonded to adaptor panel		A100B0925K	1
05	Trunking, 63 x 470mm, duct to engine bay			B082E6217F	1
06	Hose Clip, 50-70mm, trunking fixing			A100E6082F	2
07	Adaptor Spigot, trunking to engine bay sidewall			A100B0925K	1
08	Pop Rivet, spigot to engine bay sidewall			A075W6095F	3





**ESPRIT**  
**46.10**

*Updated 1st July 2014*

# Service Parts List



## Function Code 46.10 Chargecooler & Ducting

<u>Dep</u>	<u>Part Description</u>	<u>Remarks</u>	<u>Option</u>	<u>Part Number</u>	<u>Qty</u>
01	Chargecooler Radiator			A082K6070F	1
02	Hose, chargecooler radiator inlet			A082K4229F	1
03	Hose, chargecooler radiator outlet			A082K4228F	1
04	Chargecooler Pump, coolant circulation			B910E9252F	1
05	Repair Kit, chargecooler pump	Comprises: impeller, lip seals, thrust washer & gasket		A910E7039S	1
05a	Impeller, chargecooler pump	Part of repair kit, item 5		B910E6992F	1
05b	Gasket, chargecooler pump	Part of repair kit, item 5		A910E7010F	1
06	'O' Ring, pump spigot			B907E6251F	1
07	Pipe Assembly, inlet/outlet hoses	In LH wheelarch		B082K4227F	1
08	Setscrew, M5 x 20, hex. hd., pipe assembly to duct			A075W5084F	1
09	Washer, spring, M5, pipe assembly to duct			A075W4097Z	1
10	Jacknut, M5, pipe assembly to duct			A075W3043F	1
11	Hose, chassis pipe to wheelarch pipe assembly			A082K4230K	1
12	Hose Clip, 16-25mm, hose to pipes			A079K6018F	10
13	Grommet, hoses through body			A075P6021F	2
16	Pipe, coolant feed/return through chassis			A082P4200F	2
17	Grommet, pipes through chassis			A079K6004F	4
18	Hose, chassis pipe to connector			A082P6059F	1

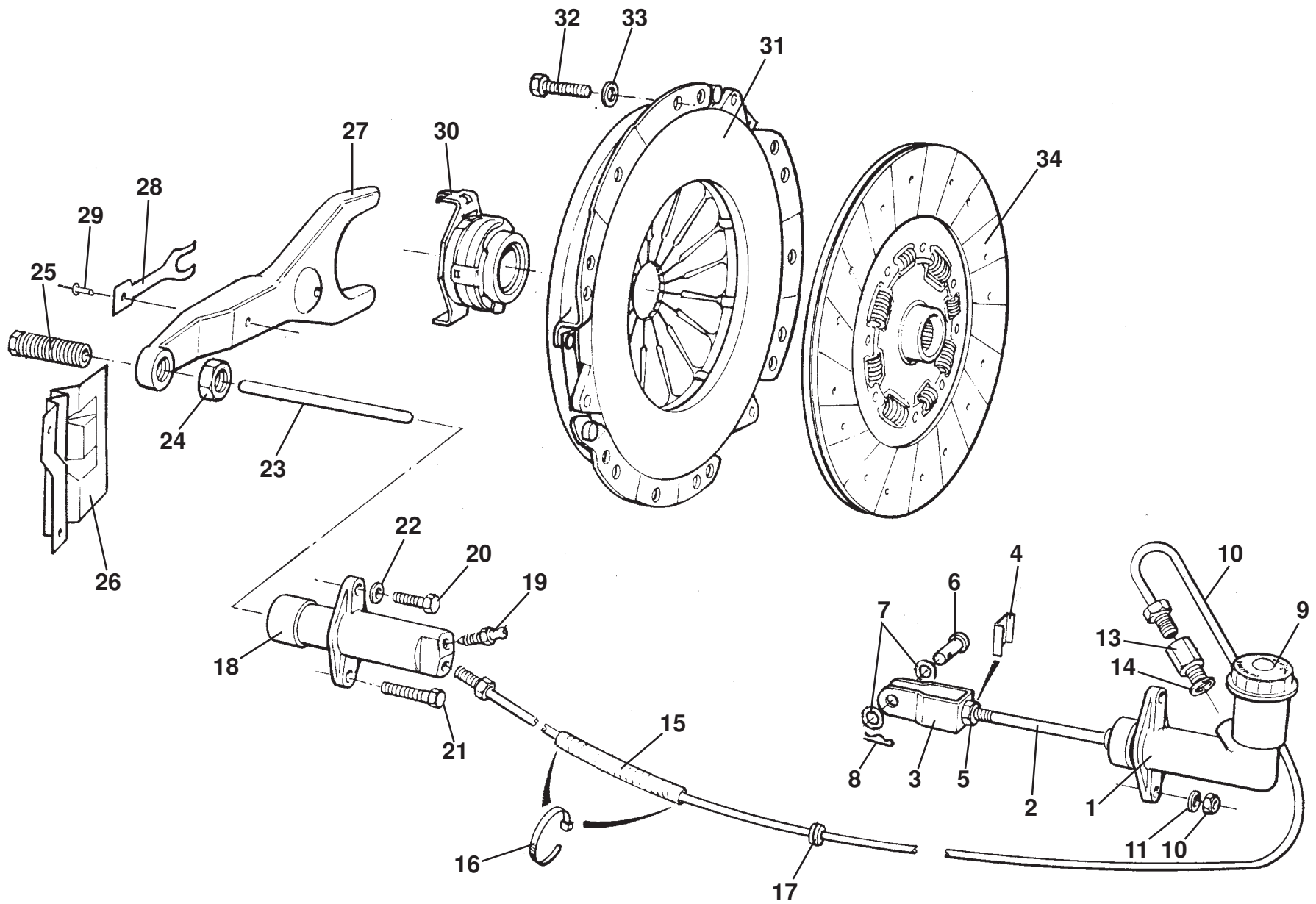


---

**Function Code 46.10 Chargecooler & Ducting**

<u>Dep</u>	<u>Part Description</u>	<u>Remarks</u>	<u>Option</u>	<u>Part Number</u>	<u>Qty</u>
19	Connector Pipe, pump hoses			B075K0111Z	1
20	Hose, connector to pump inlet			A910E2528F	1
21	Oetiker Clip, hoses to connector			B082K6059F	2
22	Protective Sleeving, pump inlet hose			A082F4131K	1
23	Hose Clip, 16-25mm, hoses to pump/chargecooler			A079K6018F	4
27	Hose, pump to chargecooler			A910E2515F	1
28	Hose, chargecooler to chassis pipe			A910E2527F	1
29	Hose, chargecooler air bleed to 'T' piece			A082K4249F	1
30	Oetiker Clip, bleed hose fixing			A082L6042F	2
31	Cable Tie, coolant pipes to chassis	Not illustrated		A075W6038Z	1
32	Cable Tie, bleed hose to heater hose	Not illustrated		A075W6038Z	2





**ESPRIT**  
**47.01a**

*Updated 6th February 2013*

# Service Parts List



## Function Code 47.01a Clutch & Release Mechanism, GT3

<u>Dep</u>	<u>Part Description</u>	<u>Remarks</u>	<u>Option</u>	<u>Part Number</u>	<u>Qty</u>
01	Master Cylinder, clutch			A082J6147J	1
01a	Service Kit, clutch master cylinder	Not illustrated		A079J6037F	1
02	Pushrod, clutch master cylinder			A082J6140F	1
03	Clevis, master cylinder pushrod			A082J6148F	1
04	Clip, pushrod nut retention			A082Q4027F	1
05	Locknut, clevis to pushrod			A082J6149F	1
06	Clevis Pin, clutch pedal to clevis			A082J4197F	1
07	Pressure Washer, clutch pedal to clevis			A082W4103F	2
08	'R' Clip, clutch pedal to clevis			A075W6175F	1
09	Filler Cap, clutch master cylinder			A079J6038F	1
10	Nyloc Nut, master cylinder to pedal box upper			A075W3010Z	1
10a	Setscrew, M8 x 45, hex.hd., master cyl. to pedal box lower	Not illustrated		A075W1043Z	2
11	Washer, flat, M8 x 16, master cylinder to pedal box			A075W4020Z	1
12	Pipe, flexible, master to slave cylinder, LHD			A082J4089F	1
12a	Pipe, flexible, master to slave cylinder, RHD			A082J4088F	1
12b	Clip, 8mm, clutch pipe to chassis	Not illustrated		A075W6237F	2
13	Adaptor, clutch pipe to master cylinder			A082J6145F	1
14	Washer, adaptor to master cylinder			A082J6146F	1



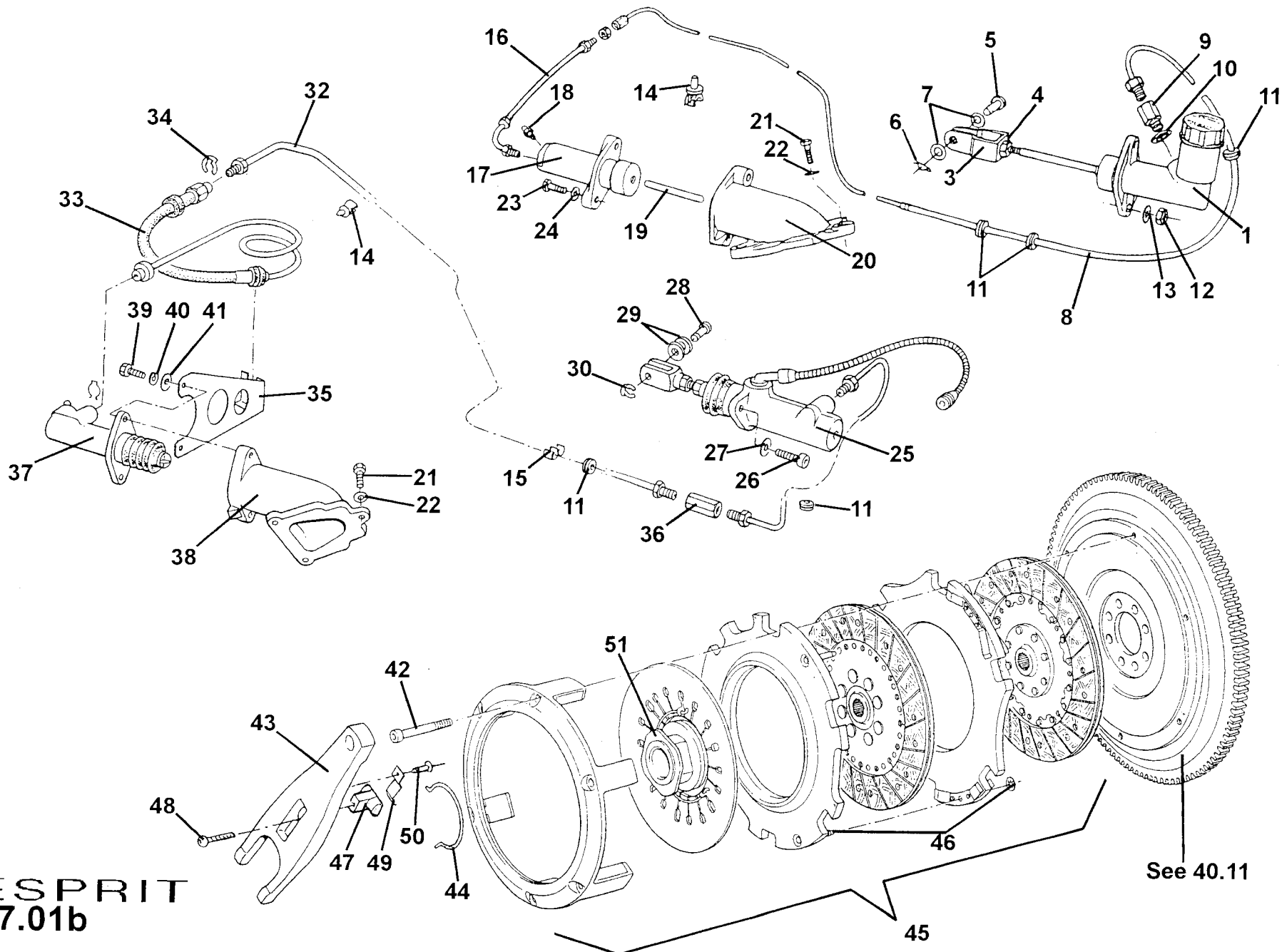


**Function Code 47.01a Clutch & Release Mechanism, GT3**

<u>Dep</u>	<u>Part Description</u>	<u>Remarks</u>	<u>Option</u>	<u>Part Number</u>	<u>Qty</u>
15	Protective Sleeving, clutch pipe			A082F6517K	1
16	Cable Tie, protective sleeving & pipe to gear cables			A075W6038F	5
17	Grommet, pipe through chassis			A082L6159Z	2
18	Slave Cylinder, clutch			A082Q6031F	1
18a	Service Kit, slave cylinder			A082Q6024F	1
19	Bleed Nipple, slave cylinder			A082Q6025F	1
20	Setscrew, M8 x 25, hex. hd., slave cylinder fixing, upper			A075W1039Z	1
21	Setscrew, M8 x 25, hex. hd., slave cylinder fixing, lower			A075W1043Z	1
22	Washer, spring, M8, slave cylinder fixing			A075W4036Z	2
23	Push Rod, slave cylinder to release fork			B082Q4023F	1
24	Nut, M4, clutch adjustment			A079W3048F	1
25	Threaded Abutment, release fork to push rod			A082F4111F	1
26	Gaiter, clutch release fork			B082F6355F	1
27	Clutch Release Fork	Includes leaf spring		A082Q4026J	1
28	Leaf Spring, release fork retaining			A082F6231F	1
29	Pop Rivet, spring to release fork			A082Q6302F	1
30	Release Bearing Assembly	8mm nose protrusion		A082Q6034F	1
31	Pressure Plate Assembly	ID: 235 CP 7000		A082Q6032F	1
32	Setscrew, M8 x 20, hex. hd., clutch cover to flywheel			A075W1038Z	6
33	Washer, spring, M8, clutch cover to flywheel			A075W4036Z	6
34	Clutch Driven Plate			A082Q6033F	1



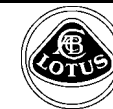
**ESPRIT  
47.01b**



See 40.11

45

# Service Parts List



## Function Code 47.01b Clutch & Release Mechanism, V8

<u>Dep</u>	<u>Part Description</u>	<u>Remarks</u>	<u>Option</u>	<u>Part Number</u>	<u>Qty</u>
01	Clutch master cylinder 5/8"		V8, prior to '98 MY	A082Q4035F	1
01a	Service Kit, master cylinder		V8, prior to '98 MY	A036J6091Z	1
02	Push Rod, clutch master cylinder		V8, prior to '98 MY	A082J6140F	1
03	Clevis, pushrod to pedal		V8, prior to '98 MY	A082J6148F	1
04	Locknut, pushrod to clevis		V8, prior to '98 MY	A082J6149F	2
04a	Clip, pushrod retention	Not illustrated	V8, prior to '98 MY	A082Q4027F	1
05	Clevis Pin, clevis to pedal		V8, prior to '98 MY	A082J4197F	1
06	'R' Clip, pin retention		V8, prior to '98 MY	A075W6175F	1
07	Washer, wavy, pin tensioning		V8, prior to '98 MY	A082W4103F	2
08	Clutch pipe assembly, front LHD		V8, prior to '98 MY	B082P4405F	1
08a	Clutch pipe assembly, front RHD		V8, prior to '98 MY	B082P4406F	1
09	Connector, clutch pipe to master cylinder		V8, prior to '98 MY	A082J6145F	1
10	Washer, flat, 3/8", copper		V8, prior to '98 MY	A082J6146F	1
11	Grommet, pipe through chassis			A082L6159Z	3
12	Nyloc Nut, M8		V8, prior to '98 MY	A075W3010Z	2
13	Washer, flat, M8 x 16		V8, prior to '98 MY	A075W4020Z	2
14	Clip, pipe fixing			A075J6027Z	3
15	Clip, double, pipe fixing			A100J6044F	1

**Function Code 47.01b Clutch & Release Mechanism, V8**

<b>Dep</b>	<b>Part Description</b>	<b>Remarks</b>	<b>Option</b>	<b>Part Number</b>	<b>Qty</b>
16	Braided Hose, bundy to slave cylinder	Includes banjo bolt & washers	V8, prior to '98 MY	A082Q4068F	1
17	Slave cylinder		V8, prior to '98 MY	A082Q6031F	1
17a	Service Kit, slave cylinder	Not illustrated	V8, prior to '98 MY	A082Q6024F	1
18	Bleed nipple		V8, prior to '98 MY	A082Q6025F	1
19	Push Rod, slave cylinder		V8, prior to '98 MY	A082Q4031F	1
20	Slave Cylinder Mounting Bracket		V8, prior to '98 MY	A918E0216K	1
21	Bolt, bracket to bell housing			A075W1039Z	3
22	Washer, flat			A075W4020Z	3
23	Setscrew, M8 x 25, hex. hd. slave fixing		V8, prior to '98 MY	A075W1039Z	2
24	Washer, spring		V8, prior to '98 MY	A0756W4036Z	2
25	Clutch master cylinder		V8, V8-GT, '98 MY on	A082Q0724F	1
26	Screw, M8 x 20, cap. hd. black, master cyl. to pedal box		V8, V8-GT, '98 MY on	A111W7130F	2
27	Washer, spring, M8		V8, V8-GT, '98 MY on	A075W4032Z	2
28	Clevis Pin		V8, V8-GT, '98 MY on	A082Q0727F	1
29	Washer, flat, nylon		V8, V8-GT, '98 MY on	A082Q0714F	2
30	Clip, pin retention		V8, V8-GT, '98 MY on	A082Q0728F	1
31	Clutch pipe assembly, front LHD		V8, V8-GT, '98 MY on	A082Q0730K	1
31a	Clutch pipe assembly, front RHD		V8, V8-GT, '98 MY on	A082Q0729K	1
32	Clutch pipe, main		V8, V8-GT, '98 MY on	A082Q4069K	1
33	Hose & Pipe assembly		V8, V8-GT, '98 MY on	A082Q0725F	1
34	Clip, clutch flex pipe/main pipe		V8, V8-GT, '98 MY on	A082Q0728F	1

18

**Function Code 47.01b Clutch & Release Mechanism, V8**

<u>Dep</u>	<u>Part Description</u>	<u>Remarks</u>	<u>Option</u>	<u>Part Number</u>	<u>Qty</u>
35	Clutch flexpipe bracket		V8, V8-GT, '98 MY on	<b>A082Q4071F</b>	1
36	Connector, clutch pipe		V8, V8-GT, '98 MY on	<b>A079J6020F</b>	1
37	Slave cylinder		V8, V8-GT, '98 MY on	<b>A082Q0726F</b>	1
38	Slave Cylinder Mounting Bracket		V8, V8-GT, '98 MY on	<b>A082Q4059K</b>	1
39	Screw, M8 x 30, hex. hd.		V8, V8-GT, '98 MY on	<b>A075W2037Z</b>	2
40	Washer, spring, M8		V8, V8-GT, '98 MY on	<b>A075W4032Z</b>	2
41	Washer, flat, M8		V8, V8-GT, '98 MY on	<b>A075W4020Z</b>	2
42	Bolt, M8 x 60, cap hd., clutch to flywheel		Twin plate clutch	<b>A111W1166F</b>	6
43	Clutch Fork, barrel pivot	Stiff alloy clutch housing	V8, V8-GT, '98 MY on	<b>A082Q4060K</b>	1
43a	Clutch Fork, barrel pivot	Stiff alloy clutch housing	V8, prior to '98 MY	<b>A082Q4072K</b>	1
43b	Clutch Fork, spherical pivot	Not illustrated	V8, prior to '98 MY	<b>B082Q4036K</b>	q
43c	Clutch Fork, spherical pivot	Not illus., R/B clutch hsg. assy. A082Q4073J	V8, prior to '98 MY	<b>A082Q4073J</b>	1
44	Snap Ring, clutch release bearing			<b>A082Q4042H</b>	1
45	Clutch Assembly, twin pate		V8, V8-GT	<b>B082Q0718F</b>	1
45a	Clutch Assembly, twin pate, retro fit kit		V8	<b>A082Q0720S</b>	1
46	Pin fixing kit		Twin plate clutch	<b>A082Q0719S</b>	1
47	Pivot, clutch fork, spherical	Not illus., R/B clutch hsg. assy. A082Q4073J	V8, prior to '98 MY	<b>A082Q4073J</b>	1
47a	Pivot, clutch fork, barrel		V8, V8-GT, '98 MY on	<b>A082Q4061F</b>	1
48	Screw, M8 x 35, flg, skt. button hd., pivot fix.		V8, V8-GT, '98 MY on	<b>A918W7121F</b>	1

18

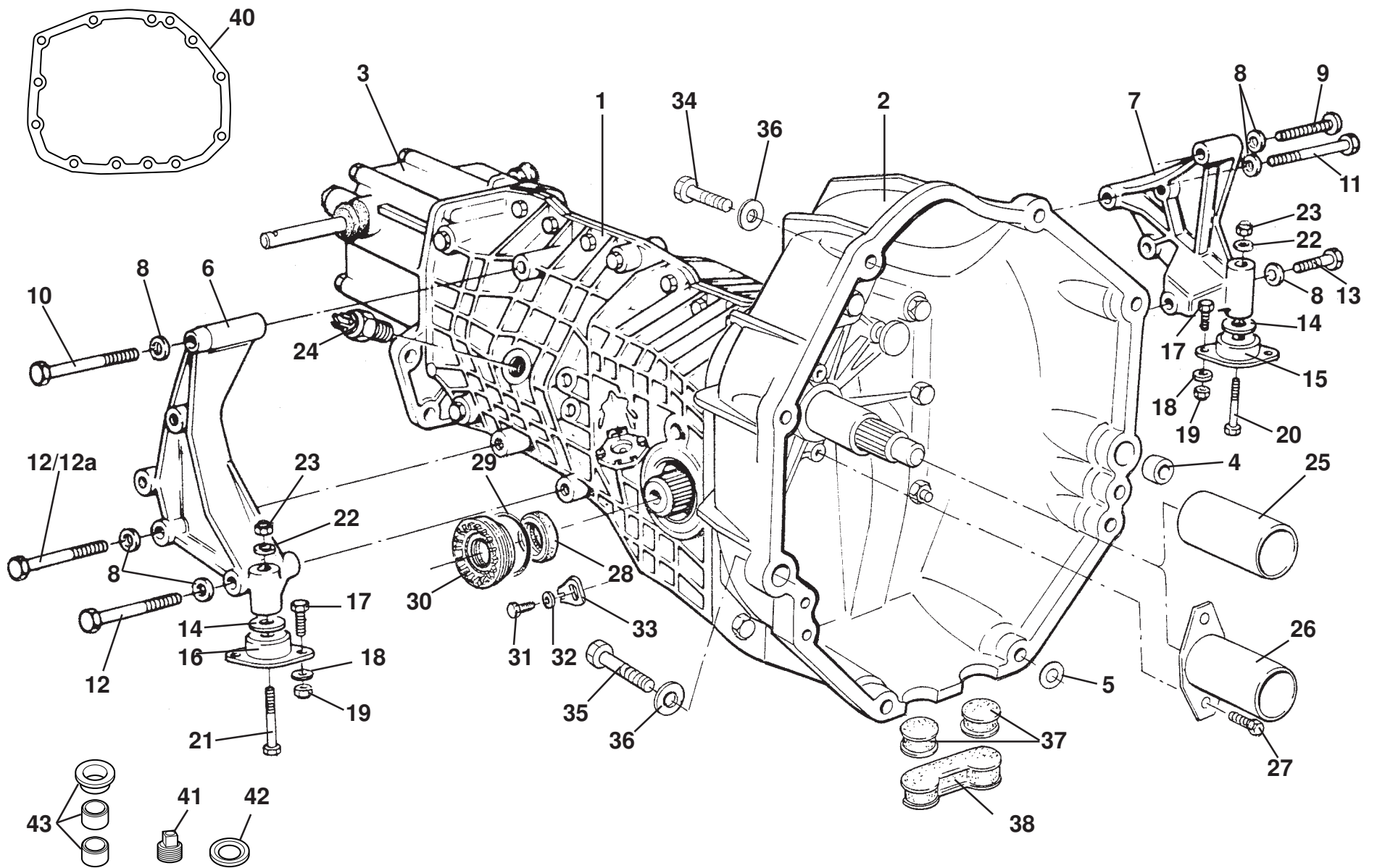
---

**Function Code 47.01b Clutch & Release Mechanism, V8**

<u>Dep</u>	<u>Part Description</u>	<u>Remarks</u>	<u>Option</u>	<u>Part Number</u>	<u>Qty</u>
49	Spring, clutch fork		V8, V8-GT, '98 MY on	<b>A082Q4062F</b>	1
50	Pop Rivet, spring to clutch fork		V8, V8-GT, '98 MY on	<b>A082W6302F</b>	1
51	Release Bearing, twin plate clutch		V8, V8GT	<b>A082Q4041H</b>	1
52	Heatshield, flexpipe coil, clutch pipe protection	Not illustrated	V8, V8-GT, '98 MY on	<b>A082Q4070F</b>	1
53	Clutch Alignment Tool, twin plate clutch	Not illustrated		<b>T000T1402F</b>	1

---

18



**ESPRIT**  
**47.03**

*Updated 6th February 2013*

# Service Parts List



## Function Code 47.03 Transmission Assembly

<u>Dep</u>	<u>Part Description</u>	<u>Remarks</u>	<u>Option</u>	<u>Part Number</u>	<u>Qty</u>
01	Transmission Assembly	Type UN1 027	V8, prior to '98 MY	<b>A082F4150F</b>	1
01a	Transmission Assembly, Reconditioned exchange	Type UN1 027	V8, '98 MY on, A082F4186F R/B	<b>A082F4186R</b>	1
01b	Transmission Assembly	Type UN1 026	GT3, prior to VIN: W2272	<b>A082F6522F</b>	1
01c	Transmission Assembly	Type UN1 028	GT3, VIN: W2272 on	<b>A082F4187F</b>	1
02	Clutch Housing, alloy	Single plate clutch	V8, B918E0150K R/B	<b>B082F4153J</b>	1
02a	Clutch Housing, cast iron	Single plate clutch	V8	<b>B082F4153J</b>	1
02b	Clutch Housing, alloy, twin plate clutch	For spherical fork pivot, R/B item 2c	V8, prior to '98 MY		1
02c	Clutch Housing Assembly, alloy, twin plate clutch	Incl. barrel release pivot and fork	V8, prior to '98 MY	<b>A082Q4073J</b>	1
02d	Clutch Housing, alloy, twin plate clutch	Housing only	V8, V8-GT, '98 MY on	<b>A082Q4064K</b>	1
02e	Clutch Housing	Single plate clutch	GT3	<b>A082F4146S</b>	1
03	Rear Casing Assembly	Type UN1 027	V8, prior to '98 MY	<b>A082F6570S</b>	1
03a	Rear Casing Assembly	Type UN1 026	GT3, prior to VIN: W2272	<b>A082F6553S</b>	1
03b	Rear Casing Assembly	Type UN1 027/028	V8, '98 MY, GT3, VIN: W2272 on	<b>A082F6579S</b>	1
04	Dowel, clutch hsg. to engine.			<b>B907E6181F</b>	2
05	Shim, clutch housing to sump.			<b>A082F6358F</b>	2
06	Mounting Bracket, gearbox, RH			<b>A082F0766K</b>	1
07	Mounting Bracket, gearbox, LH.			<b>A082F0767K</b>	1





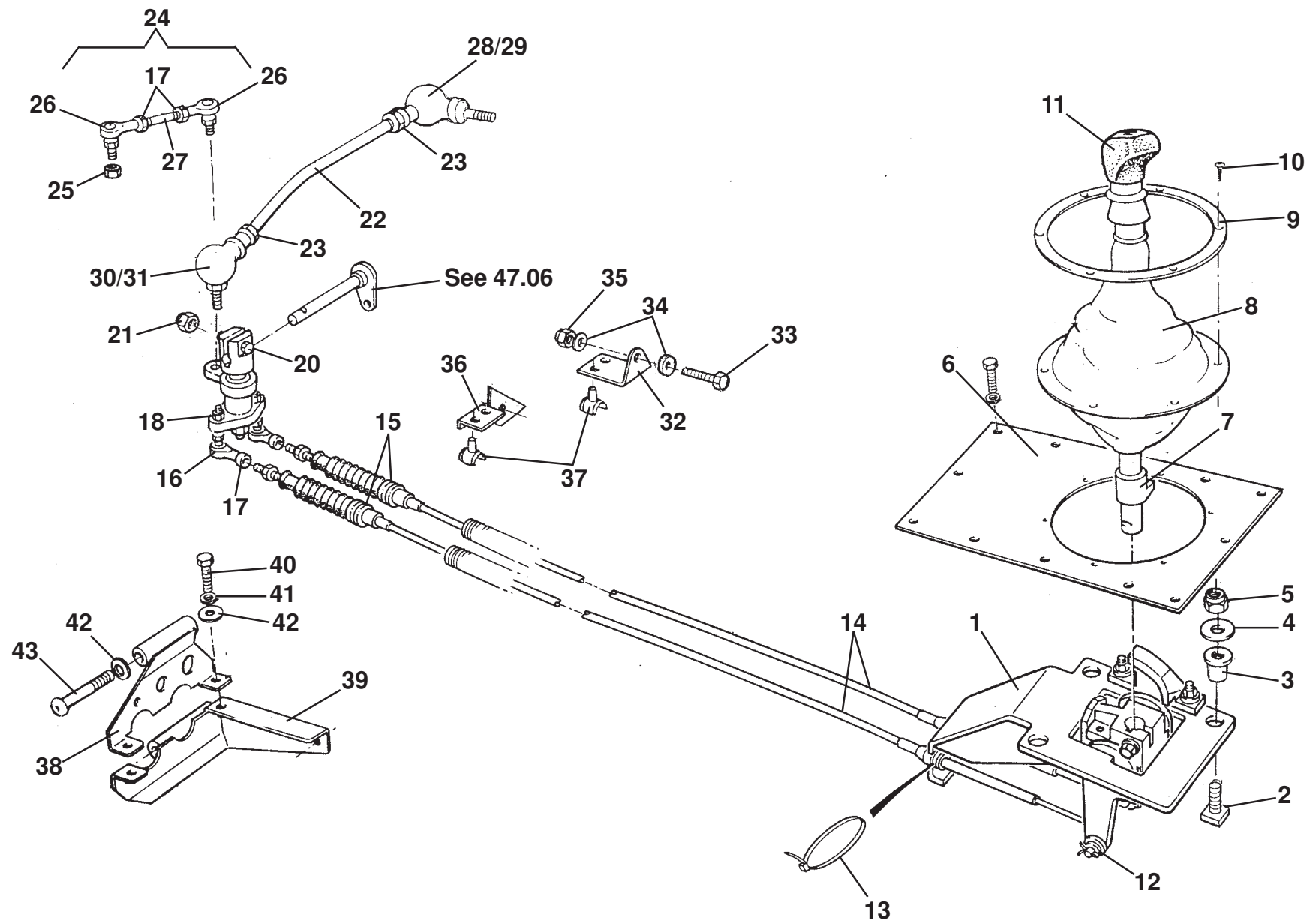
**Function Code 47.03 Transmission Assembly**

<u>Dep</u>	<u>Part Description</u>	<u>Remarks</u>	<u>Option</u>	<u>Part Number</u>	<u>Qty</u>
08	Washer, flat, M10 x 20, bracket to gearbox.			A075W4024Z	6
09	Screw, M10 x 45, button hd., bracket to gearbox.			A082W7057F	1
10	Bolt, M19 x 80, hex. hd., bracket to gearbox.			A075W2061Z	1
11	Bolt, M10 x 65, hex. hd., bracket to gearbox.			A075W2056F	1
12	Bolt, M10 x 75, hex. hd., bracket to gearbox.	1 off, V8 prior to '98 MY		A075W2059Z	2
12a	Bolt, M10 x 130, hex. hd. bracket to gearbox	Retains cable support bracket	V8 prior to '98 MY	A082W7147F	1
13	Bolt, M10 x 30, hex. hd., bracket to gearbox.			A075W1049Z	1
14	Washer, flat, M10, mounting to bracket.	LH: 1 off, RH: 2 off		A075W4006Z	1/2
15	Mounting Rubber, gearbox. LH	Marked: 17-1917R		A918E0265F	1
16	Mounting Rubber, gearbox. RH	Marked: 17-1917L (now marked 17-1918L)		A918E0266F	1
17	Screw, M8 x 20, hex. hd., gearbox mounting to chassis.			A075W1038Z	4
18	Washer, flat, M8 x 16, gearbox mounting to chassis.			A075W4020Z	4
19	Nyloc Nut, M8, gearbox mounting to chassis.			A075W3010Z	4
20	Bolt, 7/16" UNF x 4½", mounting to bracket, LH.			A082F4113F	1
21	Bolt, 7/16" UNF x 4" , mounting to bracket , RH.			A082W4112F	1
22	Washer, flat, 7/16 UNF, gearbox mounting bolt.			A075W4005Z	2
23	Nyloc Nut, 7/16" UNF, gearbox mounting bolt.			A075W3004Z	2
24	Reverse Lamp Switch (ball type).			A082F6564F	1
25	Sleeve, plain, clutch release bearing guide	Alloy bell housing	61mm, single plate clutch	A082Q4033F	1
25a	Sleeve, plain, clutch release bearing guide	Alloy bell housing	59mm, twin plate clutch	A082Q4053F	1

18

**Function Code 47.03 Transmission Assembly**

<u>Dep</u>	<u>Part Description</u>	<u>Remarks</u>	<u>Option</u>	<u>Part Number</u>	<u>Qty</u>
26	Sleeve, flanged, clutch release bearing guide	Cast iron & later alloy bell housing	Twin plate clutch	A082Q4049K	1
27	Screw, M6 x 10, hex. hd. sleeve fixing			A075W1027Z	2
28	Oil seal, drive shaft			A082F6392F	2
29	'O' ring, ring nut			A082F6393F	2
30	Ring nut, bearing adjusting	Incl. oil seal, 'O' ring & steel shield		A082F6391F	1
31	Screw, locking plate			A082F6394F	2
32	Washer			A082F6378F	2
33	Locking plate, ring nut			A082F6396F	2
34	Bolt, M10 x 45, hex. hd., bell housing to engine			A075W2053Z	8
35	Bolt, M10 x 55, hex. hd., bell housing to engine			A079W2057F	2
36	Washer, flat, M10			A075W4024F	10
37	Bung, clutch housing		Early bell housing	A082Q4055S	2
38	Bung, clutch housing		Later bell housig	A082Q4056K	1
39	Gasket, gearbox to clutch housing	Not illustrated		A082F6404F	1
40	Gasket, rear cover to gearbox			A082F6403F	1
41	Plug, 3/8" BSP, oil drain & fill/level			A082F6397F	2
42	Oil Seal, cross shaft, LH			B082F6379F	1
43	Oil Seal, cross shaft, RH			A082F6538S	1
48	Castrol TAF-X gear oil	Not illustrated		A082F6552S	1



**ESPRIT**  
**47.05**

# Service Parts List



## Function Code 47.05 Gearchange Mechanism, External

<u>Dep</u>	<u>Part Description</u>	<u>Remarks</u>	<u>Option</u>	<u>Part Number</u>	<u>Qty</u>
01b	Master Unit and Cables		GT3, prior to VIN: W2272	A082F6531F	1
01c	Master Unit, less cables		V8	A082F4168H	1
01d	Master Unit, less cables		GT3, prior to VIN: W2272	A082F6532S	1
02	Captive Stud, M6 x 25, master unit to chassis		A082W6506F R/B	B082W6506F	4
03	Grommet, master unit to chassis			X036B6150Z	4
04	Washer, flat, M6 x 15 x 1.5, master unit to chassis			A075W4015Z	8
05	Nyloc Nut, M6, master unit to chassis			A907E6285F	4
06	Plate , gear lever retainer			A082F4115F	1
07	Gear Lever Assembly, incl. leather knob	Remove knob & fit 11a for GT3	V8	A082F6520F	1
08	Gear lever gaiter, lower	For trimmed gaiter see 14.05		B082F4114F	1
09	Ring, gear lever gaiter retainer			A082F4116F	1
10	Screw, No.6 x 3/8", S/T, pan pozi. ring fix.			A075W5011Z	6
11	Gear Lever Knob, leather	Part of lever assembly	V8	A082F6520F	1
11a	Gear Lever Knob, alloy, polished		GT3	A082F4173F	1
12	Split pin, gearchange cables to lever		Common	A082F6371F	2
13	Cable Tie, gear change cable to master unit		Common	A089W6260F	1
14	Cable, gear change		V8	B082F4151H	2
14a	Cable, gear change		GT3, prior to VIN: W2272	A082F6551S	2



**Function Code 47.05 Gearchange Mechanism, External**

<u>Dep</u>	<u>Part Description</u>	<u>Remarks</u>	<u>Option</u>	<u>Part Number</u>	<u>Qty</u>
15	Gaiter, gearchange cable			A082F6369F	2
16	Rod end, cable to translator			A082F6368F	2
16a	Boot, rod end protection	Not illustrated		A082F4149F	4
17	Locknut, M6,	4 off GT3, prior to VIN: W2272	Common	A082F6372F	2
18	Nyloc Nut, M6 , rod end to translator			A075W3009F	2
19	Translator assembly, gearchange			B082F6530F	1
20	Bolt translator clamp			B082F4144F	1
21	Nut, M10 Nyloc, translator clamp			A075W3011Z	1
22	Tie Rod, translator to gearbox, M8/M8	Less rod ends, part of kit, item 46	V8	B082F4169F	1
23	Locknut, M8, rod ends to tie rod	Part of kit, item 46	V8	A075W3026Z	2
24	Tie Rod Assembly	Part of kit, item 45	GT3, prior to VIN: W2272	A082F6196H	1
25	Nyloc Nut, M6, tie rod ends		GT3, prior to VIN: W2272	A075W3009Z	2
26	Rod End, tie rod	Part of kit, item 45	GT3, prior to VIN: W2272	A082F6368F	2
27	Tie Rod		GT3, prior to VIN: W2272	A082F6503F	1
28	Ball Joint, tie rod, M8 x M8, tie rod to gearbox	Part of kit, item 46	V8	A082F6560F	1
29	Boot, tie rod ball joint, M8	Part of kit, item 46	V8	A082F4166F	2
30	Boot, tie rod ball joint, M6	Part of kit, item 45, 46	Common	A082F4149F	2
31	Ball Joint, tie rod, M8 x M6, tie rod to translator	Part of kit, item 46	V8	A082F6561F	1
32	Bracket, cable support clips to clutch slave cylinder		GT3, prior to VIN: W2272	B082F4145F	1
33	Bolt, M8 x 45, hex. hd., bracket to clutch housing		GT3, prior to VIN: W2272	A075W1043Z	1
34	Washer, flat, M8, bracket to clutch housing		GT3, prior to VIN: W2272	A075W4020Z	2

18

**Function Code 47.05 Gearchange Mechanism, External**

<u>Dep</u>	<u>Part Description</u>	<u>Remarks</u>	<u>Option</u>	<u>Part Number</u>	<u>Qty</u>
35	Nyloc Nut, M8 , bracket to clutch housing		GT3, prior to VIN: W2272	A075W3010Z	1
36	Bracket, cable support clips to clutch housiong	Uses clutch hsg. to gearbox fixing	V8	A082F6556F	1
37	Clip, gear cable support		Common	A910E6592F	2
38	Bracket, gear change cable support, upper		V8	A082F4160F	1
39	Bracket, gear change cable support, lower	Retained by RH mount fixings, see 47.03	V8	A082F4159F	1
40	Screw, M8 x 20, hex.hd., upper to lower bracket		V8	A075W1038Z	1
41	Washer, spring, M8, upper to lower bracket		V8	A075W4036Z	2
42	Washer, flat, M8 x 20		V8	A079W4019F	3
43	Bolt, M8 x 55, button skt. hd., bracket to RH mount		V8	B082W7051F	1
44	Master Unit Repair Kit	Comprises: items 47, 48, 49, 50, 51, 52, 53	Common	A082F4208J	1
45	Translator Repair Kit, GT3	Comprises: items 24, 26, 30, 54	GT3, prior to VIN: W2272	A082F4209J	1
46	Translator Repair Kit, V8	Comprises: items 22, 23, 28, 29, 30, 31, 54	V8	A082F4210J	1
47	Bush, spherical bearing	Part of kit, item 44	Common	A082F6588S	2
48	Bush, lever to cross shaft	Part of kit, item 44	Common	A082F6589S	2
49	Thrust washer, lever to cross shaft	Part of kit, item 44	Common	A082F6594S	2
50	Isolator Bush, rubber, lever to rod end	Part of kit, item 44	Common	A082F6590S	2
51	Lever Bush Washer, bush retention	Part of kit, item 44	Common	A082F6592S	2
52	Sleeve, bush retention	Part of kit, item 44	Common	A082F6591S	2
53	Reverse Inhibitor Block	Part of kit, item 44	Common	A082F6363S	1

18

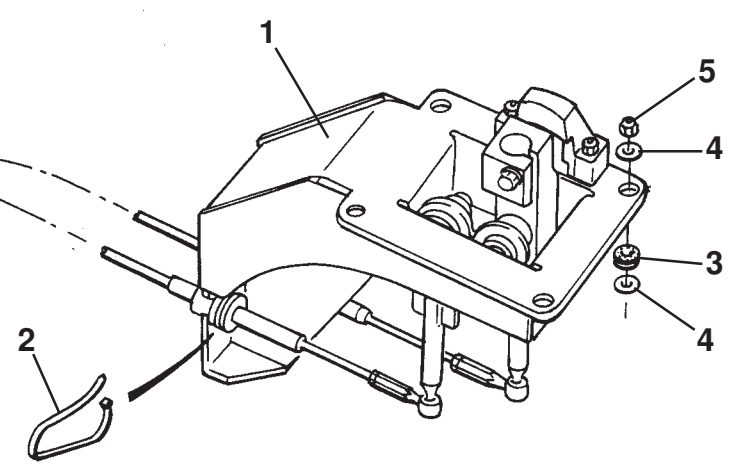
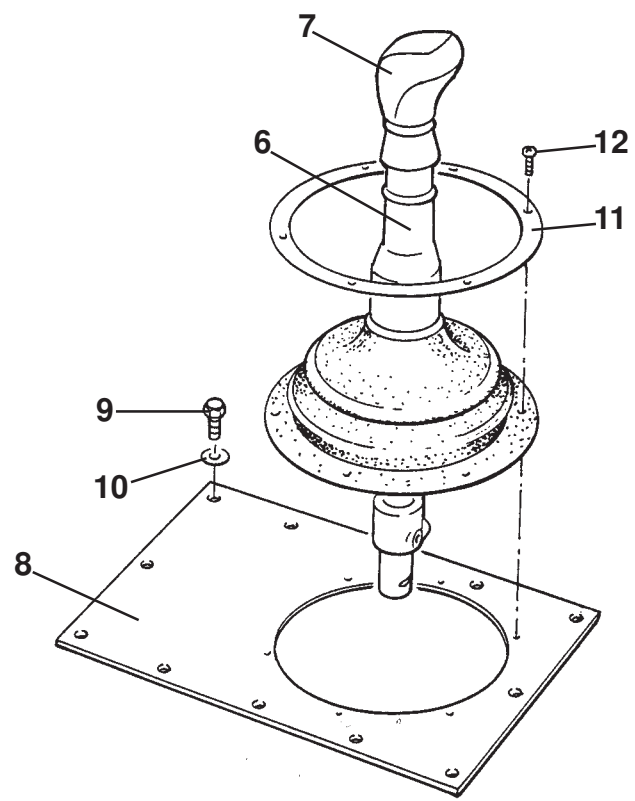
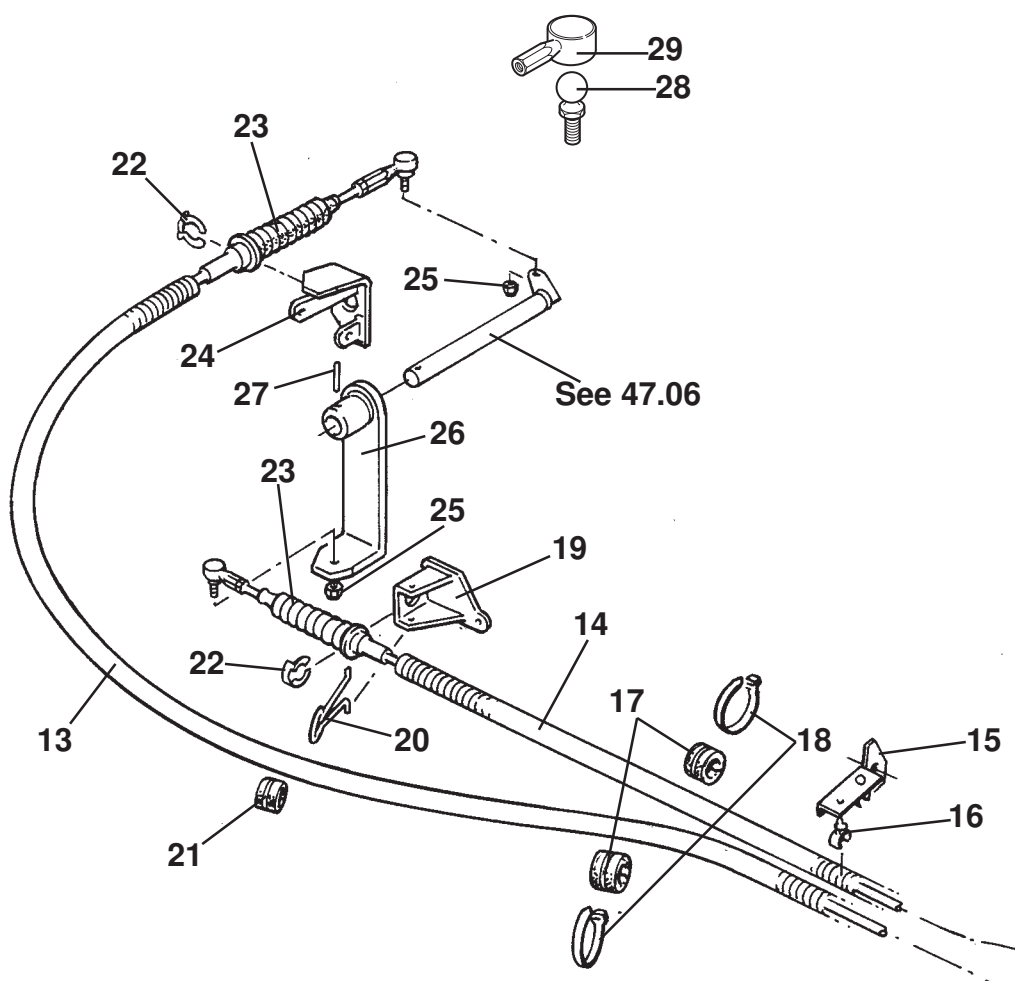
---

**Function Code 47.05 Gearchange Mechanism, External**

<u>Dep</u>	<u>Part Description</u>	<u>Remarks</u>	<u>Option</u>	<u>Part Number</u>	<u>Qty</u>
54	Bearing, translator	Part of kit, item 45, 46	Common	<b>A082F6366f</b>	2
55	Bolt, gear lever retaining plate fixing			<b>A075W1036Z</b>	12
56	Washer, gear lever retaining plate fixing			<b>A075W4020Z</b>	12

---

18



**ESPRIT**  
**47.05a**



# Service Parts List



## Function Code 47.05a Gearchange Mechanism, External, '98 MY on

<u>Dep</u>	<u>Part Description</u>	<u>Remarks</u>	<u>Option</u>	<u>Part Number</u>	<u>Qty</u>
01	Master Unit and Cables		V8, V8GT; GT3 from VIN*	A082F4175F	1
01a	Master Unit, less cables		V8, V8GT; GT3 from VIN*	A082F4183H	1
02	Cable Tie, cables to master unit			A089W6260F	2
03	Grommet, master unit to chassis			X036B6150Z	4
04	Washer, flat, M6 x 15			A075W4015Z	8
05	Nyloc Nut, M6, master unit fix.			A907E6285F	4
06	Gear Lever Assembly, incl. leather knob item 7	Remove knob & fit 7a/b as req.	V8	A082F6520F	1
07	Gear Lever Knob, leather trimmed	Part of lever assembly	V8	Not separate	1
07a	Gear Lever Knob, alloy, polished		V8GT, GT3	A082F4173F	1
07b	Gear Lever Knob, alloy, anodised		Sport 350/'99 MY USA	A082F4205F	1
07c	Gear Lever Knob, alloy, anodised, short		'Final Edition'	A082F4206F	1
07d	Lotus Logo, alloy knob		'Final Edition'	A082F4207F	1
08	Mounting Plate, gaiter assy.			A082F4115F	1
09	Bolt, hex. hd.,plate fix.			A075W1036Z	8
10	Washer, flat			A075W4020Z	8
11	Ring, gaiter retention			A082F4114F	1
12	Screw, No.6 x 3/8", S/T, pan pozi. ring fix.			A075W5011Z	6
13	Crossgate Cable, gearchange		V8, V8GT; GT3 from VIN*	A082F4185H	1

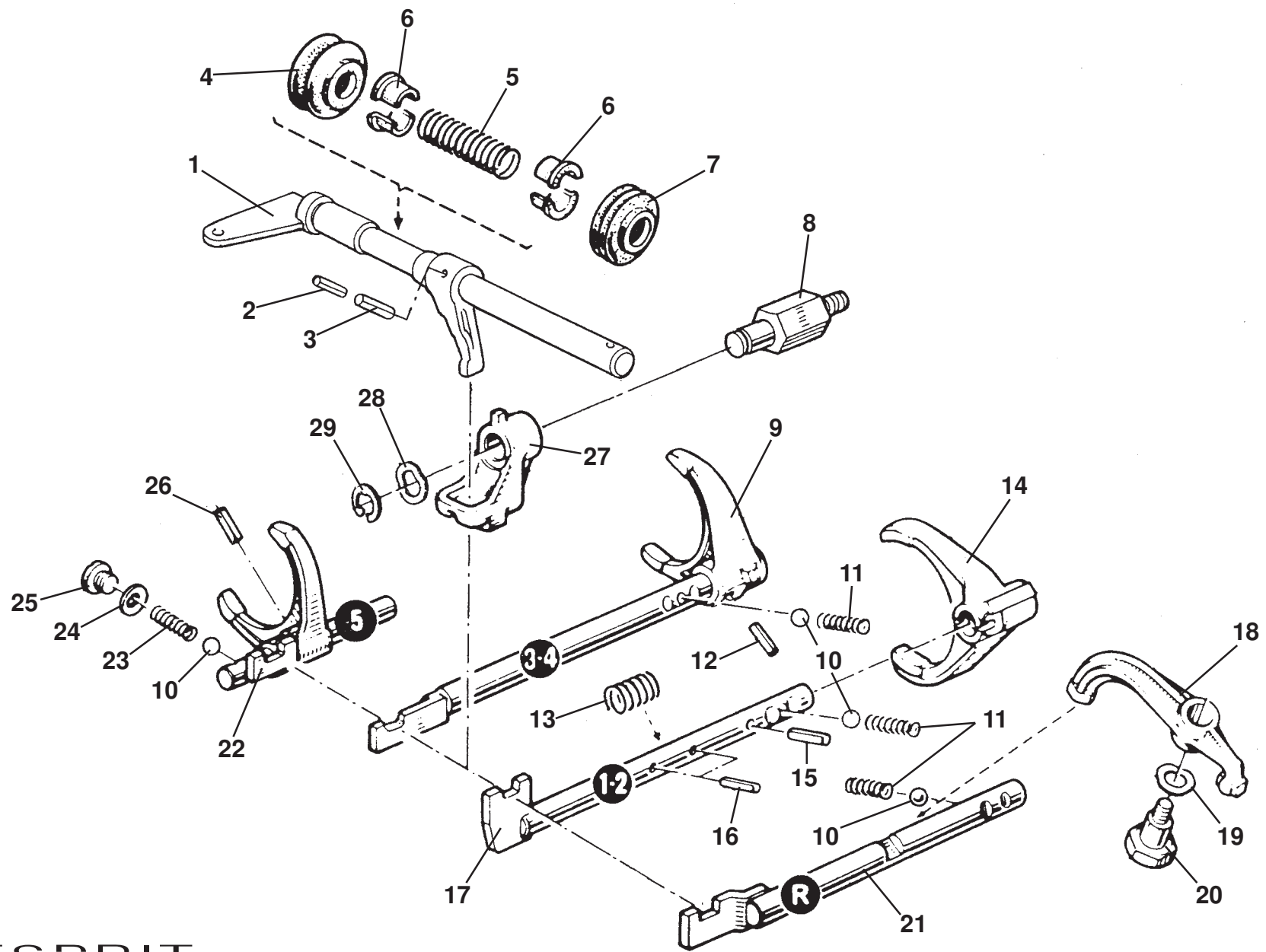


**Function Code 47.05a Gearchange Mechanism, External, '98 MY on**

<u>Dep</u>	<u>Part Description</u>	<u>Remarks</u>	<u>Option</u>	<u>Part Number</u>	<u>Qty</u>
14	Selector Cable, gearchange		V8, V8GT; GT3 from VIN*	<b>A082F4184H</b>	1
15	Cable Support Bracket		V8, V8GT; GT3 from VIN*	<b>A082F6572F</b>	1
16	Cable Support Clip		V8, V8GT; GT3 from VIN*	<b>B910E6592F</b>	2
17	Collar, cable protection		GT3 from VIN*	<b>A082F4182F</b>	2
18	Cable Tie, grommet retention		GT3 from VIN*	<b>A075W6038Z</b>	2
19	Abutment Bracket, selector cable		V8, V8GT; GT3 from VIN*	<b>A082F4176F</b>	1
20	Support Stay, crossgate cable		V8, V8GT; GT3 from VIN*	<b>A082F4177F</b>	1
21	Collar, crossgate cable to stay		V8, V8GT; GT3 from VIN*	<b>A082F4182F</b>	1
22	'C' Clip, cable retention		V8, V8GT; GT3 from VIN*	<b>A082F6577S</b>	2
23	Gaiter, gearbox end of cables		V8, V8GT; GT3 from VIN*	<b>A082F6369F</b>	2
24	Abutment Bracket, crossgate cable		V8, V8GT; GT3 from VIN*	<b>A082F4178F</b>	1
25	Nyloc Nut, cable fix.		V8, V8GT; GT3 from VIN*	<b>A082W4161F</b>	2
26	Lever Arm, cross shaft		V8, V8GT; GT3 from VIN*	<b>A082F4179F</b>	1
27	Roll Pin, 7mm, lever to shaft	Fit this pin first, then pin 4mm	V8, V8GT; GT3 from VIN*	<b>A082F6419H</b>	1
27a	Roll Pin, 4mm, lever to shaft	Not illustrated, fit into pin 7mm	V8, V8GT; GT3 from VIN*	<b>A082F6420H</b>	1
28	Ball Stud, cable end, rear		V8, V8GT; GT3 from VIN*	<b>A082F6571F</b>	2
29	Rod End, gearchange cables		V8, V8GT; GT3 from VIN*	<b>A082F6597S</b>	4

\*VIN: W2272

18



ESPRIT  
47.06

# Service Parts List



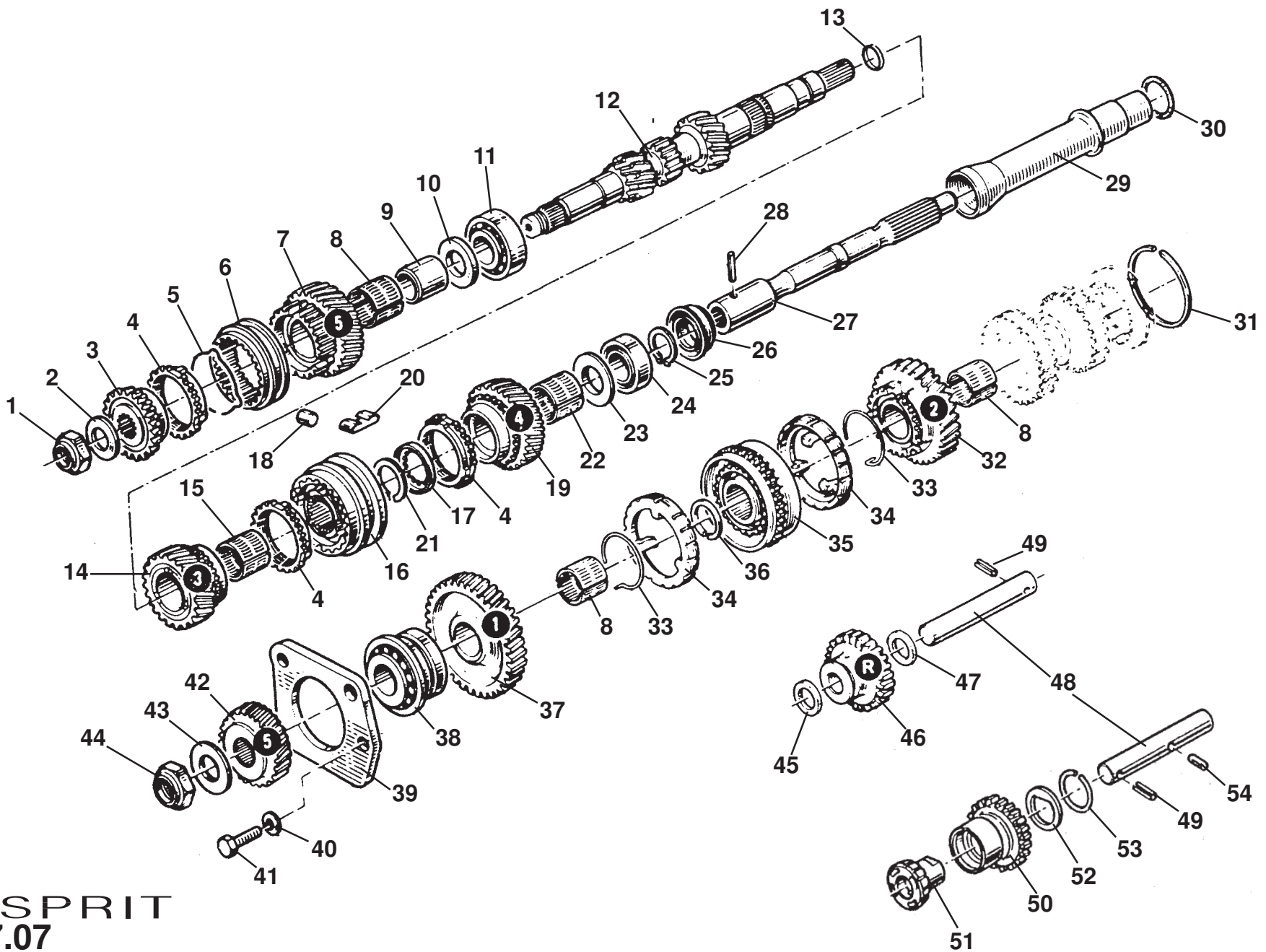
## Function Code 47.06 Gear Selector Mechanism, Internal

<u>Dep</u>	<u>Part Description</u>	<u>Remarks</u>	<u>Option</u>	<u>Part Number</u>	<u>Qty</u>
01	Cross Shaft	Type UN1 027/028	V8 '98 MY; GT3 from VIN: W2272	A082F6579S	1
01a	Cross Shaft	Type UN1 026/028	V8, prior '98 MY; GT3 prior VIN: W2272	A082F6579S	1
02	Roll Pin, 4mm, selector finger to cross shaft			A082F6420F	1
03	Roll Pin, 7mm, selector finger to cross shaft			A082F6419F	1
04	Bellows Seal, cross shaft, LH			A082F6423F	1
04a	Oil Seal, cross shaft, LH			B082F6379F	1
04b	Oil Seal, cross shaft, RH			A082F6538S	1
05	Spring, cross shaft positioning			A082F6424F	1
06	Collet Set, cross shaft spring			A082F6425F	1
07	Bellows Seal, cross shaft, RH			A082F6548S	1
08	Pivot Shaft, interlock guide			A082F6431F	1
09	Selector Shaft & Fork Assembly, 3rd/4th gear			A082F6413F	1
10	Ball, detent, selector shafts			A082F6407F	4
11	Spring, detent, 1st/2nd, 3rd/4th , reverse			A082F6406F	3
12	Roll Pin, 6mm, 3rd/4th fork to shaft			A082F6418F	1
13	Spring, 2nd synchro assist			B082F6409F	1
14	Selector Fork, 1st/ 2nd			B082F6412F	1



**Function Code 47.06 Gear Selector Mechanism, Internal**

<u>Dep</u>	<u>Part Description</u>	<u>Remarks</u>	<u>Option</u>	<u>Part Number</u>	<u>Qty</u>
15	Roll Pin, 6mm, 2nd selector fork			A082F6418F	1
16	Roll Pin, 6mm, 2nd synchro assist spring			A082F6418F	1
17	Selector Shaft, 1st/2nd gears			B082F6408F	1
18	Lever, reverse shaft to gear	Without reverse gear brake	Type UN1 026/028	A082F6427F	1
18a	Lever, reverse shaft to gear	With reverse gear brake	Type UN1 027	A082F6586S	1
19	Washer, wavy, reverse lever pivot			A082F6428F	1
20	Pivot Bolt, reverse lever			A082F6429F	1
21	Selector Shaft, reverse	Without reverse gear brake	Type UN1 026/028	B082F6405F	1
21a	Selector Shaft, reverse	With reverse gear brake	Type UN1 027	A082F6587S	1
22	Selector Shaft & Fork Assembly, 5th gear			A082F6414F	1
23	Spring, detent, 5th gear			A082F6554F	1
24	Washer, detent plug			A082F6415F	1
25	Plug, 5th detent spring retaining			A082F6416F	1
26	Roll Pin, 5th fork to shaft			A082F6417F	1
27	Interlock Guide, selector shafts			A082F6430F	1
28	Washer, wavy, interlock guide pivot			A082F6432F	1
29	Circlip, interlock guide to pivot shaft			A082F6433F	1



ESPRIT  
47.07

Updated 24th June 2011

**Function Code 47.07 Gears, Shafts & Bearings**

<u>Dep</u>	<u>Part Description</u>	<u>Remarks</u>	<u>Option</u>	<u>Part Number</u>	<u>Qty</u>
01	Nut, 5th gear synchro hub to primary shaft			A082F6462F	1
02	Washer, 5th gear synchro hub to primary shaft			A082F6461F	1
03	Synchroniser Hub, 5th gear			A082F6460F	1
04	Synchro Ring, 3rd, 4th & 5th			A082F6440F	3
05	Spring Clip, 5th gear synchro sleeve			A082B6459F	1
06	Sliding Gear Sleeve, 5th gear synchroniser			B082F6458F	1
07	5th Gear, 41 teeth	Type UN1 027,	V8, V8GT	A082F6566S	1
07a	5th Gear, 39 teeth	Type UN1 026/028	GT3	A082F6457F	1
08	Needle Race (pair), 1st, 2nd & 5th gear			A082F6456F	3
09	Sleeve, 5th drive gear bearing			A082F6455F	1
10	Thrust Washer, 5th drive gear			A082F6454F	1
11	Bearing , double taper, primary shaft rear			A082F6546S	1
12	Primary Shaft	Type UN1 027	V8, V8GT	A082F6565S	1
12a	Primary Shaft	Type UN1 026/028	GT3	A082F6545S	1
13	'O' Ring, clutch shaft to primary shaft			A082F6549S	1
14	Drive Gear, 3rd, 21 teeth, primary shaft		Common	A082F6439F	1
15	Needle Race ( pair ), 3rd gear			A082F6438F	1
16	Synchromesh Assembly, 3rd/4th gear			A082F6441F	1
17	Splined Cup Washer, circlip retaining			A082F6445F	1
18	Roller, 3rd/4th gear synchroniser sleeve			A082F6443F	3
19	Drive gear, 4th, 27 teeth, primary shaft		Common	A082F6447F	1

18

**Function Code 47.07 Gears, Shafts & Bearings**

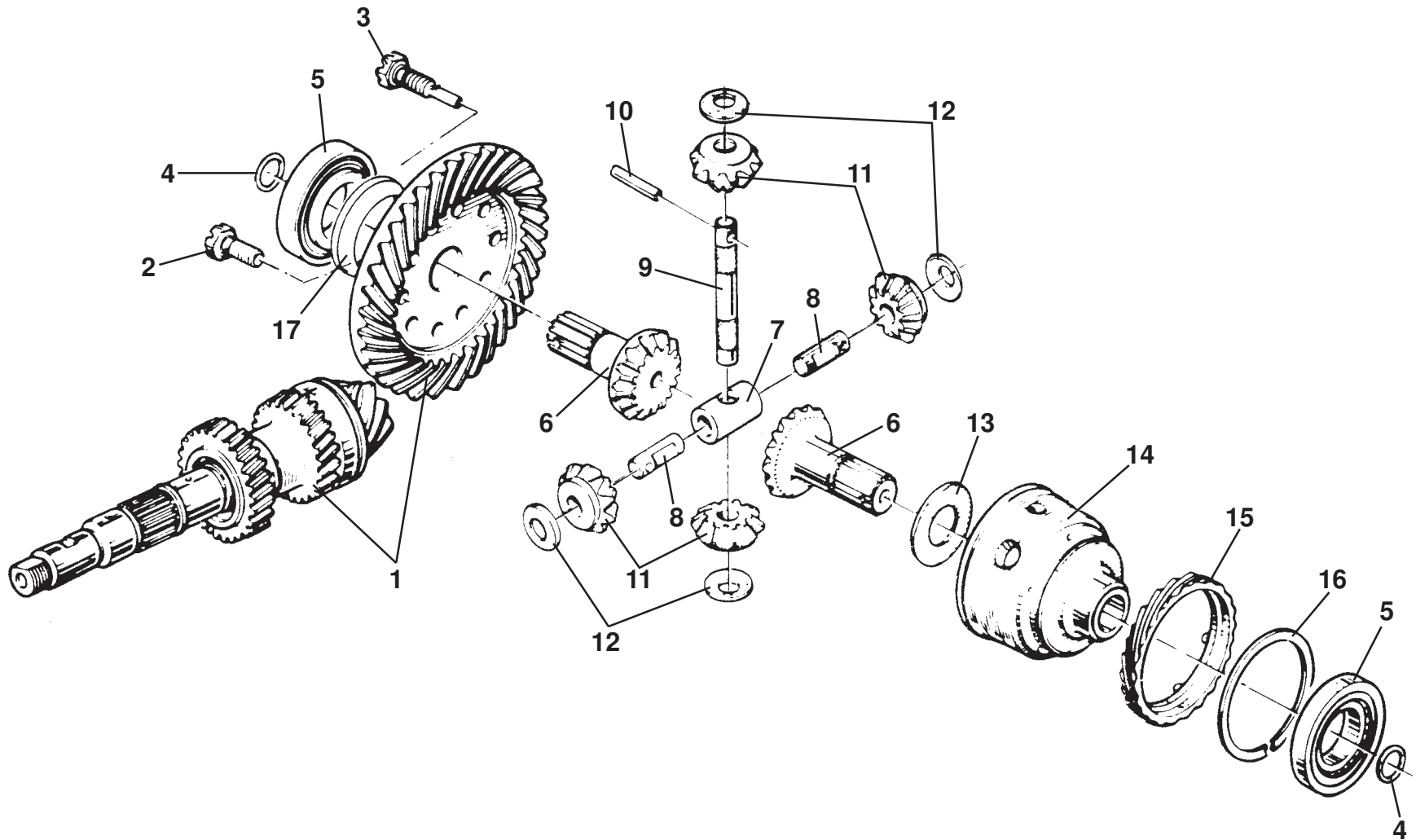
<u>Dep</u>	<u>Part Description</u>	<u>Remarks</u>	<u>Option</u>	<u>Part Number</u>	<u>Qty</u>
20	Spring, 3rd/4th gear synchroniser roller			A082F6442F	3
21	Circlip, 3rd/4th synchro hub retaining			B082F6444F	1
22	Needle Race ( pair ), 4th gear			A082F6446F	1
23	Thrust Washer, 4th drive gear			A082F6448F	1
24	Roller Bearing, primary shaft front			A082F6449F	1
25	Circlip, roller bearing retention			B082F6450F	1
26	Lip Seal, primary shaft front			A082F6451F	1
27	Clutch Shaft			B082F6452F	1
28	Spring Pin, clutch shaft to primary shaft			A082F6453F	1
29	Guide Tube, clutch release bearing			A082F6482F	1
30	'O' Ring, guide tube sealing			A082F6483F	1
31	Split Ring, sec., shaft front brg location			A082F6463F	1
32	Driven Gear, 35 teeth, 2nd, secondary shaft		Common	A082F6464F	1
33	Spring Ring, 1st / 2nd synchroniser			A082F6465F	2
34	Synchro Ring, 1st / 2nd gear			A082F6466F	2
35	Synchroniser Assembly, 1st / 2nd			A082F6467F	1
36	Circlip, 1st/2nd synchroniser retaining			A082F6468F	1
37	Driven Gear, 37 teeth, 1st / 2nd, secondary shaft		Common	A082F6469F	1
38	Bearing, dual taper roller, sec. shaft rear			A082F6470F	1
39	Retaining Plate, sec. shaft rear bearing	Type UN1 027	V8, V8GT	A082F6567S	1
39a	Retaining Plate, sec. shaft rear bearing	Type UN1 026/028	GT3	B082F6471F	1

18



**Function Code 47.07 Gears, Shafts & Bearings**

<u>Dep</u>	<u>Part Description</u>	<u>Remarks</u>	<u>Option</u>	<u>Part Number</u>	<u>Qty</u>
40	Washer, retaining plate fixing bolt			<b>A082F6473F</b>	3
41	Bolt, retaining plate fixing			<b>A082F6472F</b>	3
42	Driven Gear, 5th, 31 teeth, secondary shaft	Type UN1 027	V8, V8GT	<b>A082F6568S</b>	1
42a	Driven Gear, 5th, 32 teeth, secondary shaft	Type UN1 026/028	GT3	<b>A082F6474F</b>	1
43	Washer, sec. shaft nut to 5th gear			<b>A082F6475F</b>	1
44	Nut, secondary shaft securing			<b>A082F6476F</b>	1
45	Friction Washer, 3mm, reverse gear, rear	Type UN1 026	GT3 prior to VIN: W2272	<b>A082F7479F</b>	1
46	Reverse Gear, 25 teeth	Type UN1 026	GT3 prior to VIN: W2272	<b>A082F6480F</b>	1
47	Friction Washer, 5mm, reverse gear, front	Type UN1 026	GT3 prior to VIN: W2272	<b>A082F6481F</b>	1
48	Shaft, reverse idler gear		Common	<b>A082F6478F</b>	1
49	Spring Pin, reverse shaft retaining		Common	<b>A082F6477F</b>	1
50	Reverse Gear, 25 teeth (synchronized)	Type UN1 027/028	V8, V8GT; GT3*	<b>A082F6569S</b>	1
51	Synchroniser/Hub, reverse gear	Type UN1 027/028	V8, V8GT; GT3*	<b>A082F6580S</b>	1
52	Washer, special, reverse gear	Type UN1 027/028	V8, V8GT; GT3*	<b>A082F6581S</b>	1
53	Circlip, reverse gear	Type UN1 027/028	V8, V8GT; GT3*	<b>A082F6582S</b>	1
54	Pin, idler gear shaft	Type UN1 027/028	V8, V8GT; GT3*	<b>A082F6583S</b>	1
		*From VIN: W2272			



ESPRIT  
47.11

**Function Code 47.11 Final Drive & Bearings**

<u>Dep</u>	<u>Part Description</u>	<u>Remarks</u>	<u>Option</u>	<u>Part Number</u>	<u>Qty</u>
01	Crownwheel & Pinion, 3.8 ratio	Includes bolts	V8	A082F6484F	1
01a	Crownwheel & Pinion, 4.1 ratio	Includes bolts	GT3	A082F6584F	1
02	Bolt, crownwheel to differential carrier			A082F6492F	8
03	Spigot Bolt			A082F6495F	2
04	'O' ring, sungear shaft seal			A082F6494F	2
05	Bearing, taper roller, differential carrier			A082F6493F	2
06	Sun Gear / output shaft			A082F6487F	2
07	Hub, planet gear half shafts			A082F6498F	1
08	Half shaft, planet gear			A082F6499F	2
09	Shaft, planet gear			A082F6490F	1
10	Roll Pin, planet gear shaft retaining			A082F6491F	1
11	Planet Gear, differential			A082F6489F	4
12	Thrust Washer, planet gear			A082F6488F	4
13	Thrust Washer, sun gear			A082F6486F	1
14	Differential Carrier			A082F6485F	1
15	Speedo Drive Gear, 26 teeth			A082F6496F	1
16	Split Ring, speedo drive retaining			A082F6497F	1
17	Shim washer, 1.2, backlash adjust, selective			A082F6524F	As req
17a	Shim washer, 1.3, backlash adjust, selective			A082F6525F	As req
17b	Shim washer, 1.4, backlash adjust, selective			A082F6526F	As req
17c	Shim washer, 1.5, backlash adjust, selective			A082F6527F	As req

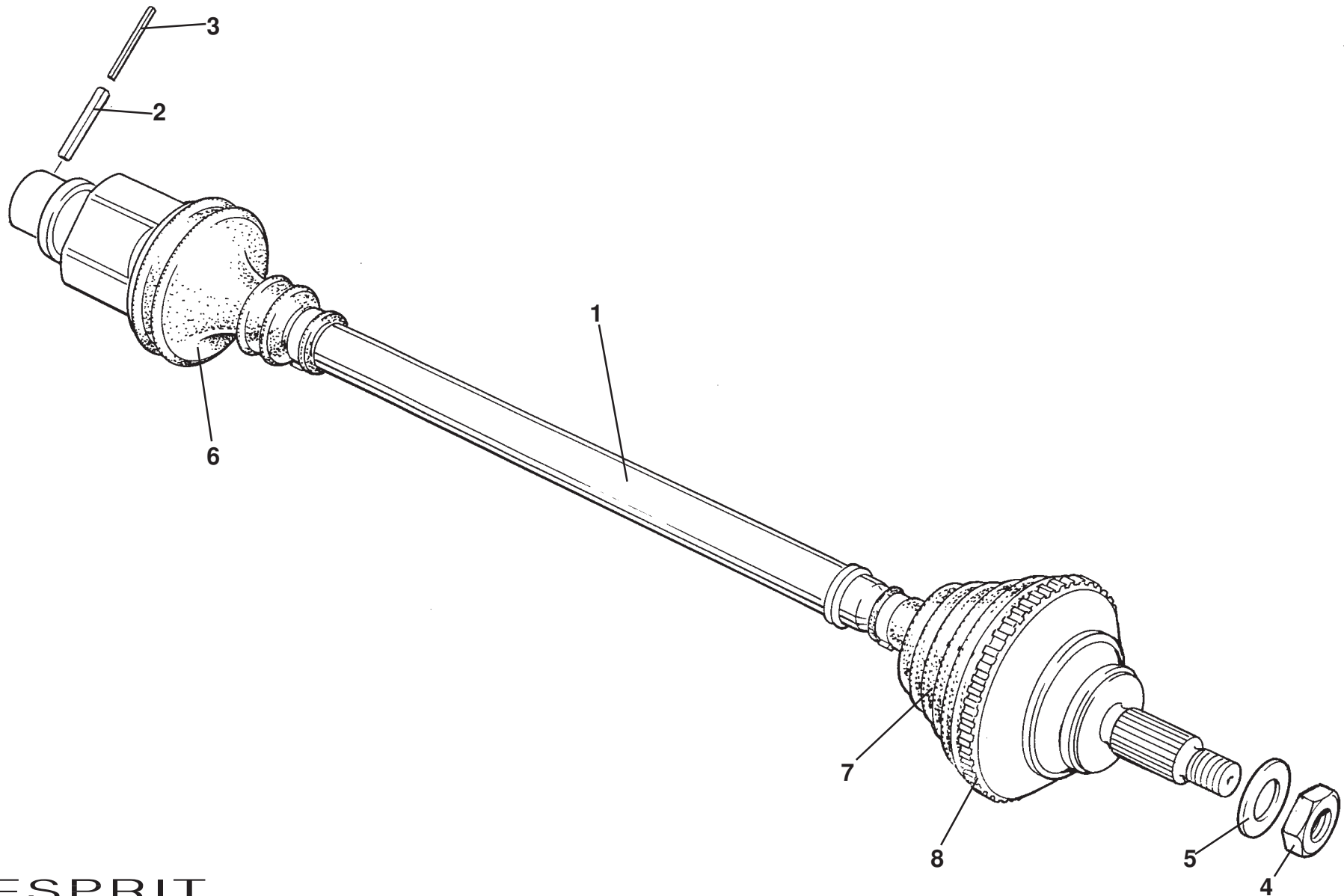
18

---

**Function Code 47.11 Final Drive & Bearings**

<u>Dep</u>	<u>Part Description</u>	<u>Remarks</u>	<u>Option</u>	<u>Part Number</u>	<u>Qty</u>
17d	Shim washer, 1.6, backlash adjust, selective			<b>A082F6528F</b>	As req
17e	Shim washer, 1.7, backlash adjust, selective			<b>A082F6529F</b>	As req

---

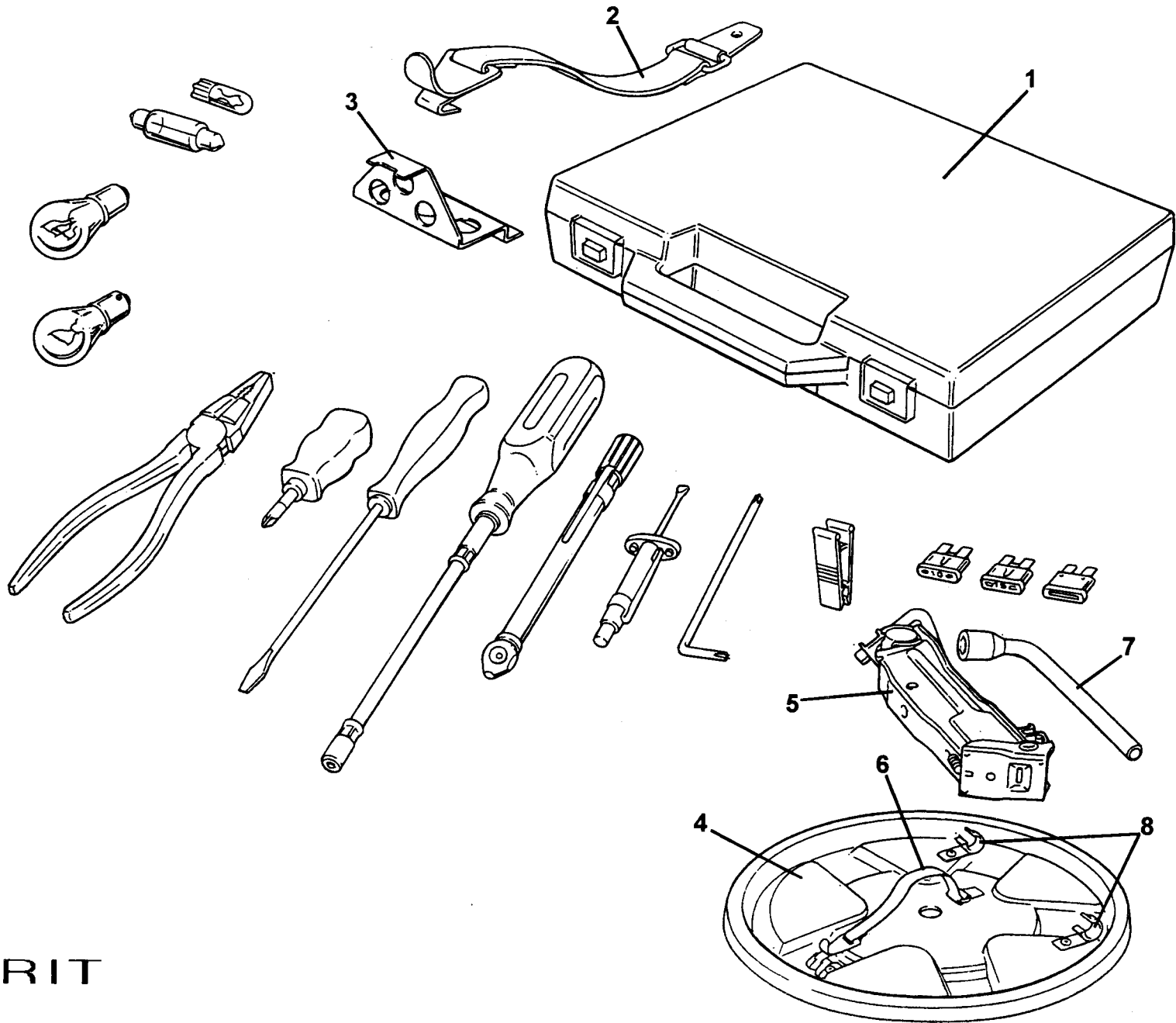


ESPRIT  
47.15

---

**Function Code 47.15 Driveshafts & Seals**

<u>Dep</u>	<u>Part Description</u>	<u>Remarks</u>	<u>Option</u>	<u>Part Number</u>	<u>Qty</u>
01	Driveshaft		A082D6037F R/B	<b>B082D6037S</b>	2
02	Roll pin, outer, driveshaft securing			<b>A082D6024F</b>	2
03	Roll pin, inner, driveshaft securing			<b>A082D6023F</b>	2
04	Nut, hub to driveshaft	Also see section No 31.03		<b>A082D6026F</b>	2
05	Washer, flat, hub to driveshaft	Also see section No 31.03		<b>A082D6025F</b>	2
06	Gaiter Kit, inboard joint	Includes locking clips & grease		<b>A082D6028F</b>	2
07	Gaiter Kit, outboard joint	Includes locking clips & grease		<b>A082D6029F</b>	2
08	Reluctor Ring, wheel speed sensor	Part of driveshaft assy.		<b>A082D6034H</b>	2

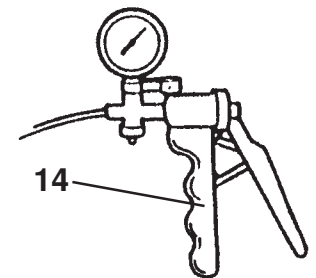
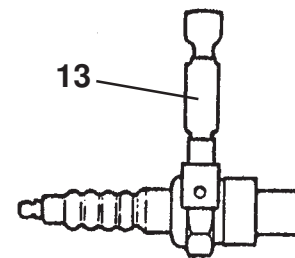
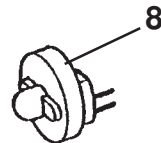
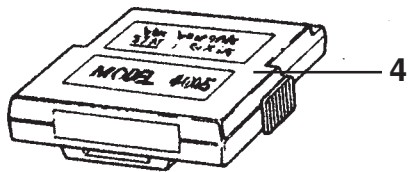
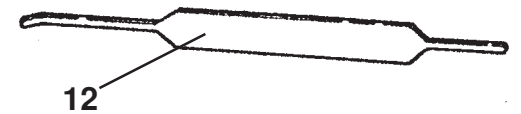
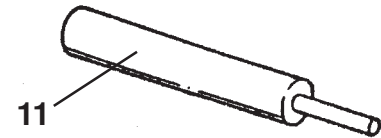
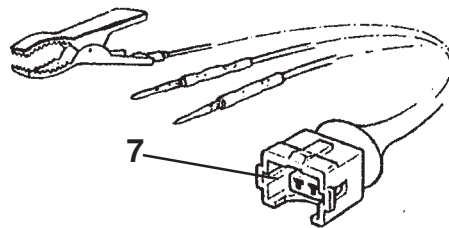
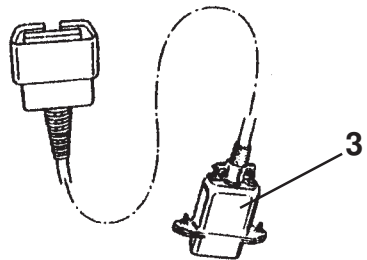
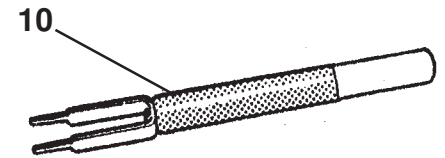
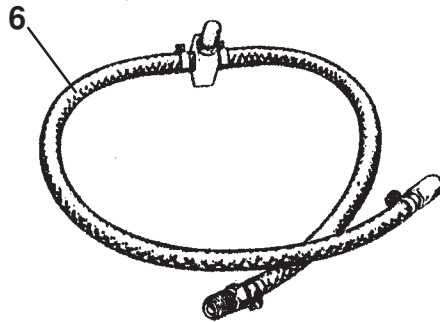
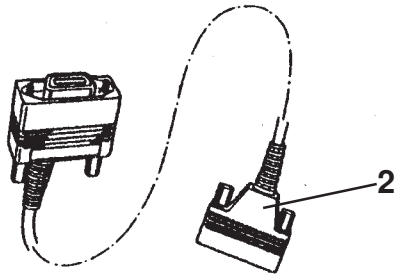
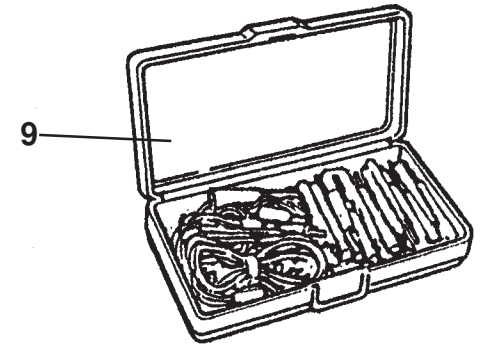
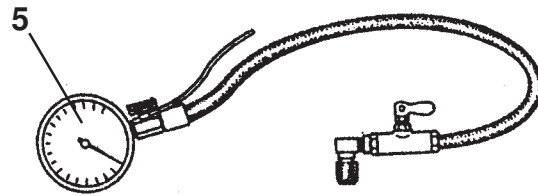
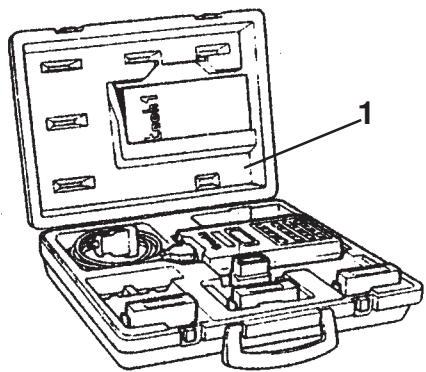


ESPRIT  
60.01

**Function Code 60.01 Tool Kit**

<u>Dep</u>	<u>Part Description</u>	<u>Remarks</u>	<u>Option</u>	<u>Part Number</u>	<u>Qty</u>
01	Toolkit			<b>A082T4016F</b>	1
02	Strap, toolkit securing			<b>A089U1412F</b>	1
03	Bracket, toolkit securing			<b>A082T4017F</b>	1
04	Spare Wheel Cover/Jack & Wheel Brace Stowage		16" spare wheel	<b>A082T4015K</b>	1
04a	Spare Wheel Cover/Jack & Wheel Brace Stowage		17" spare wheel	<b>B082T4015F</b>	1
05	Lifting Jack	Includes handle		<b>A082T6019F</b>	1
06	Lifting Jack Securing Strap			<b>A089U1412F</b>	1
07	Wheel Brace, 19mm socket			<b>C082T6016F</b>	1
08	Clip, wheel brace retention			<b>A082W6572F</b>	2
09	Edging Strip, spare wheel cover	Not illustrated, 12 cars only	'02 MY, with 17" spare	<b>A085U6080V</b>	As req.
10	Spacer, security bolt	Not illustrated, 12 cars only	'02 MY, with 17" spare	<b>A082J6124V</b>	50mm
11	Self Adhesive Velcro, loop, 10 x 20cm, tool kit fixing	Not illus. on battery cover	Rear located tool kit	<b>A082V9144V</b>	0.2M
12	Self Adhesive Velcro, hook, 10 x 20cm, tool kit fixing	Not illus. on tool kit	Rear located tool kit	<b>A082V9145V</b>	0.2M





ESPRIT  
60.01a

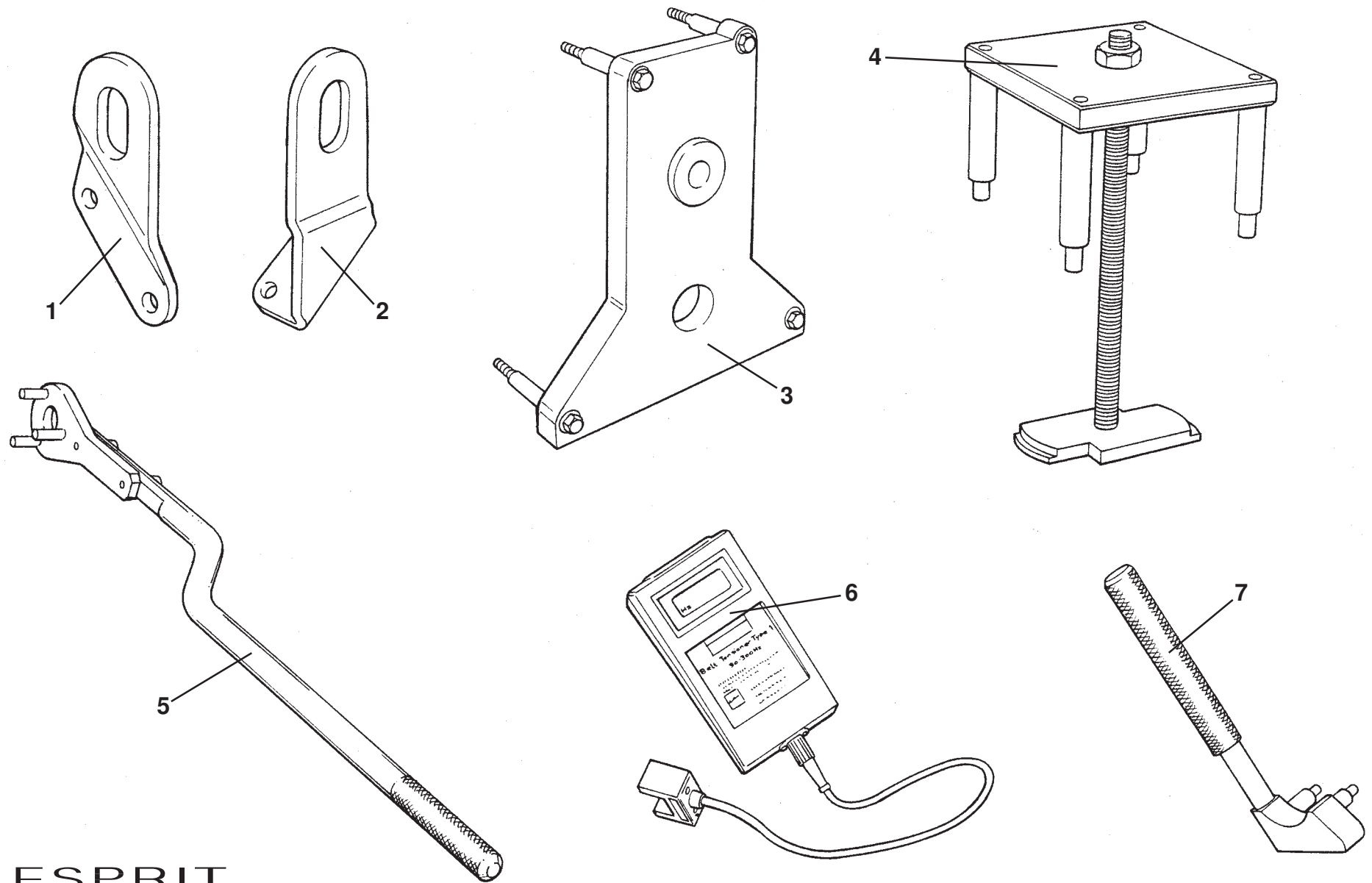
**Function Code 60.01a Diagnostic Equipment**

<u>Dep</u>	<u>Part Description</u>	<u>Remarks</u>	<u>Option</u>	<u>Part Number</u>	<u>Qty</u>
01	'Tech 1' Diagnostic scanner kit	Displays fault codes/sensor readings	Incl. cartridge, lead, test adaptor, op's man	<b>T000T0896/2</b>	1
02	Connector Lead, 'Tech 1' scanner	Tech 1 to adaptor cable item 3	P.O. 'Tech 1' Kit T000T0896/2	<b>T000T1312F</b>	1
03	Adaptor Cable, connector lead to DLC	Tech 1 connector lead to DLC	P.O. 'Tech 1' Kit T000T0896/2	<b>T000T1306F</b>	1
04	Calibration Cartridge, 'Tech 1' scanner	ECM/Kelsey Hayes ABS 415	'96 to '97 MY	<b>T000T1307F</b>	1
04a	Calibration Cartridge, 'Tech 1' scanner	Kelsey Hayes ABS, EBC 430	'98 MY on	<b>T000T1403S</b>	1
04b	Calibration Cartridge, 'Tech 1' scanner	Dual SIR system (version 1.0)	Dual SIR (4 & 8 cyl)	<b>T000T1237F</b>	1
04c	Calibration Cartridge, 'Tech 1' scanner	Megamoss alarm (English)	Prior to '98 MY	<b>A082M6557S</b>	1
04d	Calibration Cartridge, 'Tech 1' scanner	Megamoss alarm (German)	Prior to '98 MY	<b>A082M6562S</b>	1
04e	Calibration Cartridge, 'Tech 1' scanner	Megamoss alarm (Italian)	Prior to '98 MY	<b>A082M6563S</b>	1
04f	Calibration Cartridge, 'Tech 1' scanner	Megamoss alarm (French)	Prior to '98 MY	<b>A082M6564S</b>	1
04g	Calibration Cartridge, 'Tech 1' scanner	Megamoss alarm (Norway)	Prior to '98 MY	<b>A082M6565S</b>	1
04h	Calibration Cartridge, 'Tech 1' scanner	Megamoss alarm (Dutch)	Prior to '98 MY	<b>A082M6566S</b>	1
04i	Calibration Cartridge, 'Tech 1' scanner	Megamoss alarm (Spanish)	Prior to '98 MY	<b>A082M6567S</b>	1
04k	Calibration Cartridge, 'Tech 1' scanner	Megamoss alarm (Swedish)	Prior to '98 MY	<b>A082M6568S</b>	1
04l	Calibration Cartridge, 'Tech 1' scanner	Megamoss alarm (Danish)	Prior to '98 MY	<b>A082M6569S</b>	1
04m	Calibration Cartridge, 'Tech 1' scanner	Megamoss alarm (Portuguese)	Prior to '98 MY	<b>A082M6570S</b>	1
05	Fuel Pressure Gauge	Diagnoses fuel system faults		<b>T000T1386F</b>	1
06	Fuel Pressure Hose	Fuel filter to feedpipe		<b>T000T1359F</b>	1
07	Injector Test Lamp Adaptor	Lamp to battery/injector harness		<b>T000T0930J</b>	1
08	Injector Test Light	Electrical circuit to an injector		<b>T000T0900F</b>	1

---

**Function Code 60.01a Diagnostic Equipment**

<u>Dep</u>	<u>Part Description</u>	<u>Remarks</u>	<u>Option</u>	<u>Part Number</u>	<u>Qty</u>
09	Connector Test Adaptor Kit	Tests connector blocks		<b>T000T0902F</b>	1
10	Metri-Pack, terminal remover	Terminals from connector blocks		<b>T000T0903F</b>	1
11	Weather-Pack, terminal remover	Terminals from connector blocks		<b>T000T0904F</b>	1
12	ECM Connector terminal remover	Terminals from ECM connector		<b>T000T0905F</b>	1
13	Spark Tester	Check secondary ignition voltage		<b>T000T0901F</b>	1
14	Vacuum Pump	Diagnoses vac. system faults		<b>T000T0907F</b>	1



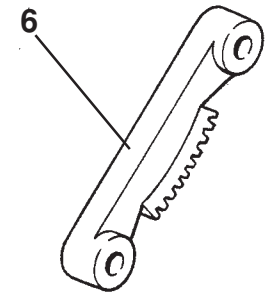
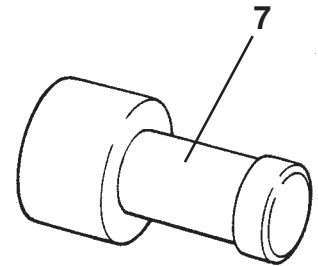
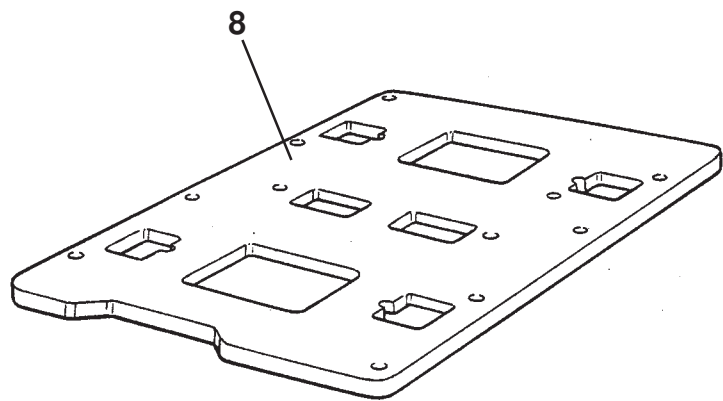
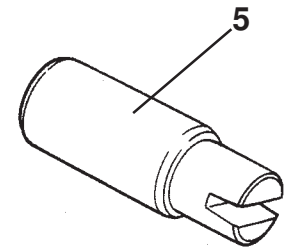
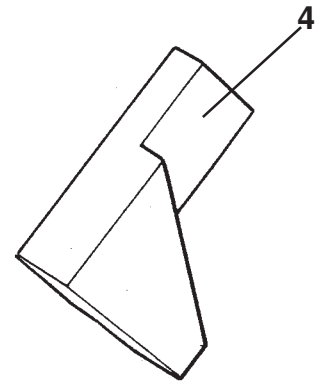
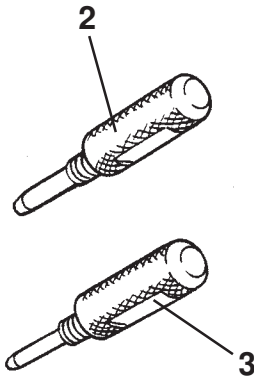
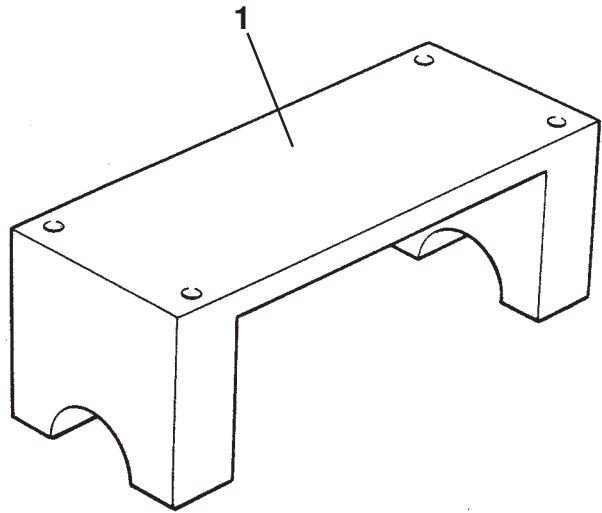
**ESPRIT**  
**60.02**

---

**Function Code 60.02 Special Tools**

<u>Dep</u>	<u>Part Description</u>	<u>Remarks</u>	<u>Option</u>	<u>Part Number</u>	<u>Qty</u>
01	Engine Lifting Bracket, rear			T000T1343T	1
02	Engine Lifting Bracket, front			T000T1342T	1
03	Locating Plate, intermediate shaft			T000T1248F	1
04	Cylinder Lner Extractor Kit			T000T1357F	1
05	Camshaft Pulley Holding Tool	See Service Bulletin 2000/18		T000T1420F	1
06	Clavis Gauge, belt tensioning			T000T1398F	1
07	Peg Drive Adaptor, tensioner hub			T000T1360F	1

---

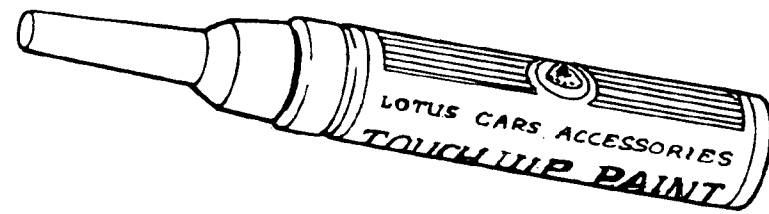


ESPRIT  
60.02a

---

**Function Code 60.02a Special Tools**

<u>Dep</u>	<u>Part Description</u>	<u>Remarks</u>	<u>Option</u>	<u>Part Number</u>	<u>Qty</u>
01	Locking Cap, camshaft			T000T1336F	1
02	Location Pin, camshaft timing			T000T1337F	1
03	Tolerance Pin, camshaft timing			T000T1345F	1
04	Alignment Tool, camshaft timing disc			T000T1338F	1
05	Crankshaft Pin, camshaft timing			T000T1339F	1
06	Flywheel Locking Tool (transmission removed)			T000T1249F	1
06a	Flywheel Locking Tool (transmission fitted)	Not illustrated		T000T1358F	1
07	Alignment Dolly, front cover			T000T1362F	1
08	Injector Housing alignment plate			T000T1272F	1



ESPRIT  
80.20a



**Function Code 80.20a Touch-in Paint Pencil Range**

<u>Dep</u>	<u>Part Description</u>	<u>Remarks</u>	<u>Option</u>	<u>Part Number</u>	<u>Qty</u>
01	B01, Monaco White			A082B6294F	1
02	B02, Black			A082B6295F	1
03	B03, Calypso Red			D075B6264F	1
05	B05, Norfolk Mustard			A082B6296F	1
20	B20, Azure Blue Metallic			A082B6303F	1
21	B21, Lotus Racing Green Metallic			A082B6304F	1
23	B23, Ruby Red Metallic			A082B6306F	1
25	B25, Chrome Orange			A082B6338F	1
29	B29, Racing Green			A082B6342F	1
35	B35, New Aluminium		Sport 350	A082B6350F	1
61	B61, Nautilus Blue Metallic			A082B6347F	1
62	B62, Titanium Metallic			A082B6348F	1
63	B63, Lotus Racing Yellow			A082B6349F	1
78	B78, Atlantis Blue Pearl			A111B6203F	1
81	B81, Black Metallic			A082B6398F	1
83	B83, Lightning Yellow Pearlescent			A082B6384F	1
84	B84, Lava Orange Pearlescent			A082B6385F	1
85	B85, Laser Blue Metallic			A082B6386F	1
86	B86, Racing Green Metallic			A082B6388F	1
87	B87, Ice Blue Metallic			A082B6389F	1
88	B88, Gunmetal Metallic			A082B6390F	1

18

---

**Function Code 80.20a Touch-in Paint Pencil Range**

<u>Dep</u>	<u>Part Description</u>	<u>Remarks</u>	<u>Option</u>	<u>Part Number</u>	<u>Qty</u>
90	B90, Cobalt Blue Metallic			A082B6392F	1
91	B91, Aqua Metallic			A082B6393F	1
92	B92, Silver Metallic			A082B6396F	1
94	B94, Ardent Red			A082B6400F	1

Note: for other colours see Elise  
Parts Lists

---