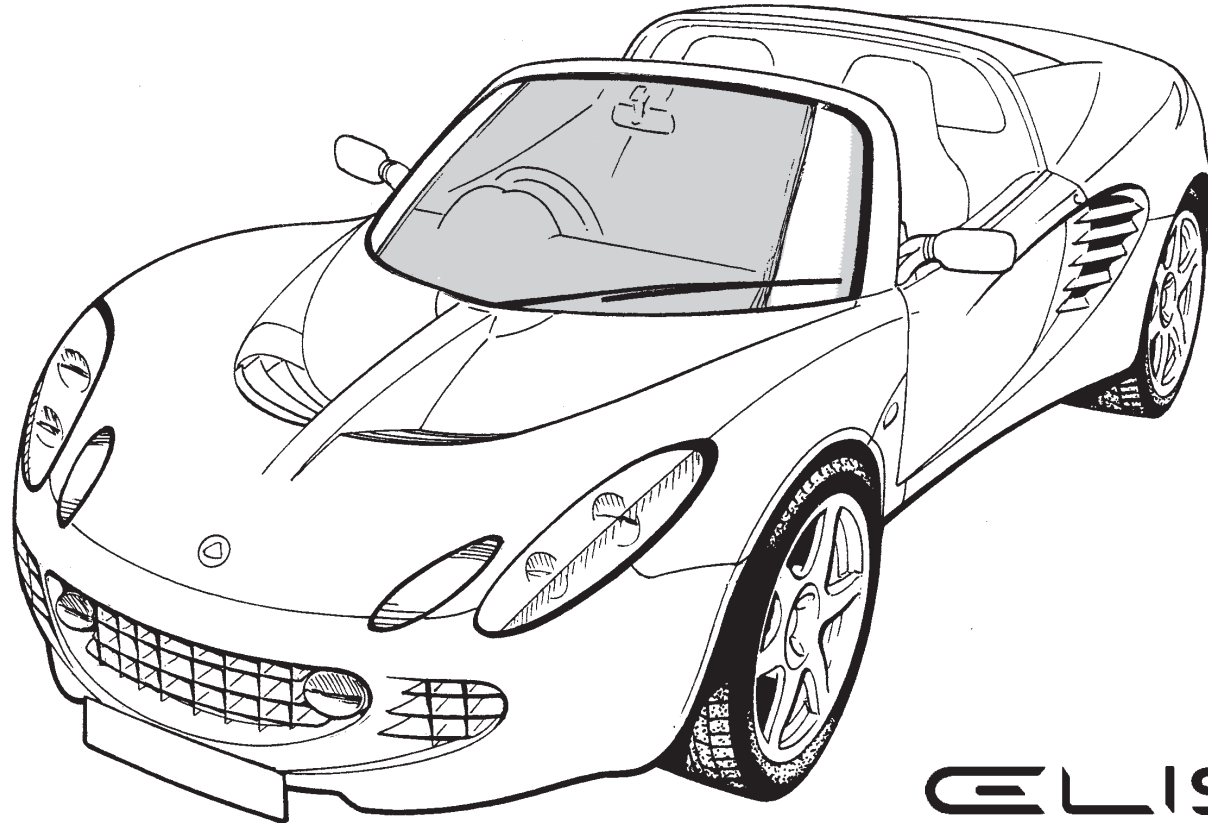




ELISE 2001-2005MY SERVICE PARTS LIST

(Rover powertrain)



ELISE

2001-2005 Model Years
Includes limited editions &
Lotus Sport 111 & 135
Special Edition supplements

Technical Publications, Lotus Cars Limited, Hethel, Norwich, Norfolk, NR14 8EZ. England.

Telephone 01953 608000 www.lotuscars.com

© Lotus Cars Ltd. 2001

Part Number A117T0325J

Updated 1st October 2018

FOREWORD

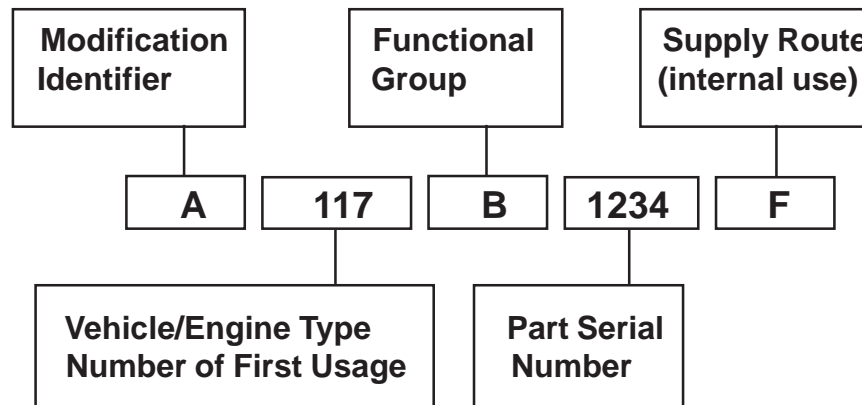
This publication has been designed for use by Lotus Dealers, and may be updated periodically by the issuing of update packages to the dealer network. Lotus policy is one of continuous product improvement and the right is reserved to alter specifications at any time without prior notice. Whilst every care has been taken to ensure correctness of information, it is impossible to guarantee complete freedom from omissions and errors, or to accept liability arising from such errors or omissions, but nothing herein contained shall affect your statutory rights.

USE OF THE PARTS LIST

This parts list covers the Elise range, 2001 model year onwards. The manual is arranged in function groups, as defined by the Contents page, and may sometimes use several versions of the same function group to accommodate model variations - take care to establish the full vehicle specification in order to properly identify the applicable parts list section.

PART NUMBERS

Part numbers used in this publication are in the format as follows:



Modification Identifier: This letter identifies a version or modification of the part. Part numbers with different prefix letters may or may not be interchangeable - refer to the remarks column.

Vehicle/Engine Type Number: The type number indicates either the model or engine type on which the part was first used.

026, 036, 045, 500....Elan	079....Esprit S1/S2/S2.2	089....Excel	120....Elise111R	127....2-Eleven	907....4 cyl. 2.0 NA
050....Elan+2	082....Esprit Turbo	100....Elan 1990	121....Elise USA	128....Exige S (s/c)	910....4 cyl. 2.2 turbo
046, 054, 065, 074....Europa	083....Elite S2	111....Elise	122....Exige 2	131....Elise S (1ZZ)	912....4 cyl. 2.2 NA
075....Elite S1	084....Eclat S2	340....340R	123....Exige USA	132....Evora	918....V8 3.5 turbo
076....Eclat S1	085....Esprit S3	117....Elise 2001 MY	124....Europa 2006	138....Exige V6	920....4 cyl. 2.0 turbo

Functional Group: A single letter indicating the functional area of the parts first use

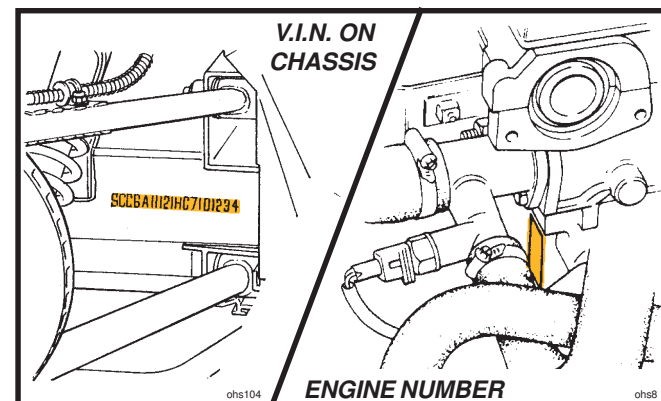
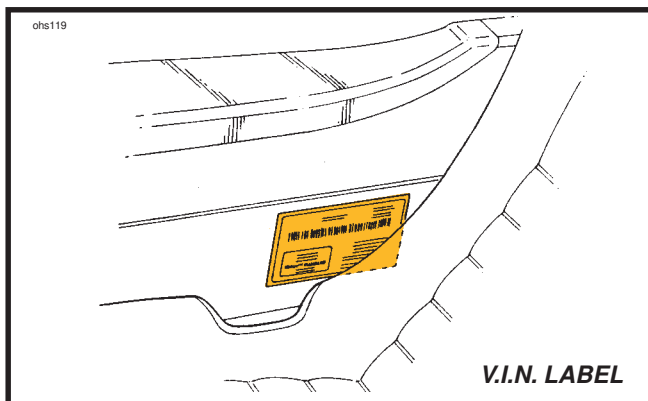
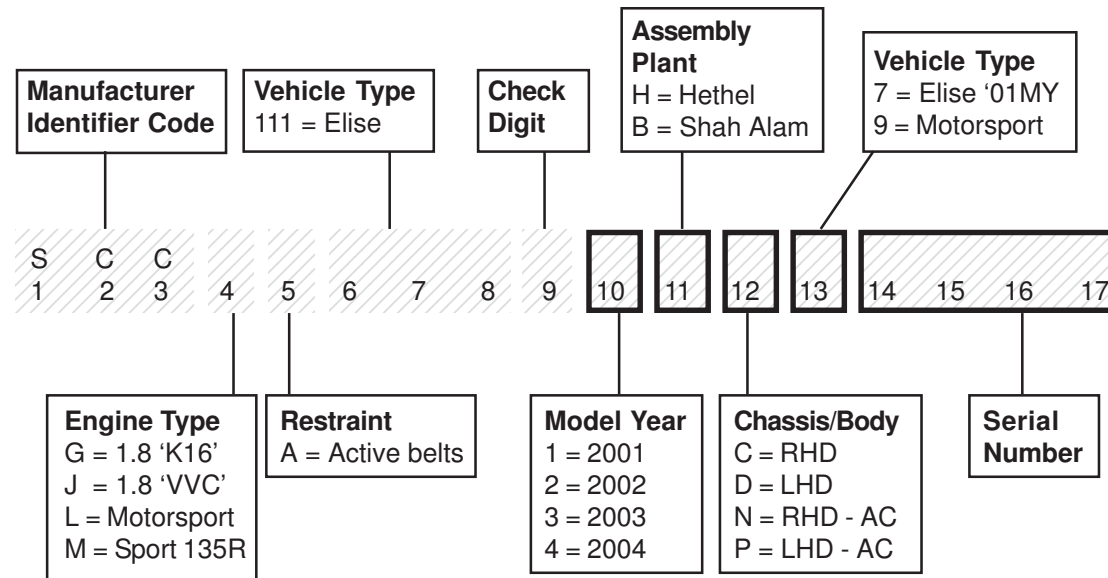
A = Chassis	E = Engine	J = Brakes	P = Heater & AC	U = Hard Trim
B = Body	F = Transmission	K = Cooling	Q = Clutch	V = Soft Trim
C = Front Suspension	G = Wheels & Tyres	L = Fuel System	R = Final Drive	W = Standard Fixings
D = Rear Suspension	H = Steering	M = Electrics	S = Exhaust	

VEHICLE IDENTIFICATION NUMBER & ENGINE NUMBER

The Vehicle Identification Number (V.I.N.) is stamped on the chassis in the right hand front wheelarch area, viewable with the front wheels turned to right full lock, and is also printed on a label stuck to the inside of the chassis sideframe alongside the driver's seat. The engine number is marked on a vertical patch at the left hand end of the forward face of the cylinder block, and is most easily viewed using a mirror.

Both numbers should always be quoted with any vehicle enquiries, as Factory records are filed against V.I.N., and specification change points are identified by V.I.N. or engine number. The vehicle licence number may not accurately reflect vehicle age, may also be changed during the car's life, and is an unreliable method of vehicle identification.

The V.I.N. comprises 17 characters, coded in accordance with European Economic Community (EEC) directives. For change point identification in Service Notes and Service Parts Lists, characters 10 (model year) and 15 - 17, or 14 - 17 (serial number) will be quoted.



ELISE

Updated 15th April 2011



Nov 2000 Elise S2



Feb 2002 Elise 190



Mar 2002 Type 72



May 2002 111/111s



May 2002 Type 25



Oct 2002 Type 49



Mar 2003 Type 23



Mar 2003 99T



May 2003 Sport 135R



May 2003 Sport 111



June 2003 Gordon Lamb



July 2005 Japan 10th

Updated 2nd January 2018

ELISE MODEL HISTORY 2001 M.Y. ONWARDS

Model Introduction: November 2000

VIN character 10 = 1; VIN character 13 = 7; Serial number from 0018.

Changes from previous model include: Restyled body and interior; revised soft top with integral cantrails; revised door window guides; chassis siderails lowered at cockpit sides; revised suspension with new hubs and steel hub carriers; revised engine spec. with Lotus K4 controller to meet ECD3; close ratio transmission; larger diameter road wheels with Bridgestone Potenza tyres; new brake discs and pads; new fuel tank and pump; Meta vehicle security system; battery moved to rear luggage compartment; new heater system with rotary controls; new exhaust muffler with outboard tailpipes.

Air Conditioning Option: February 2002

Co-incident with 2002 model year change point. VIN character 10 = 2; Serial number from 1936.

VIN character 12: C = RHD heater, D = LHD heater, N = RHD a.c., P = LHD a.c.

Cars with heater only continue unchanged, but a.c. cars use new heating, ventilation and air conditioning (HVAC) system, incorporating face level vents, dual intake blower fan, air blender flap without water valve, electrical rotary controls with stepper motor operated flaps. Larger engine cooling radiator with twin fans. Coolant re-circulation pump. Cobra 8185/8186 security system.

Cobra 8185/8186 Vehicle Security System: February 2002

Fitted on all cars with a.c. (see above) and then as running change to heater cars during March.

Cobra 8185 immobiliser becomes standard specification. 8186 optional upgrade to meet U.K. Thatcham 1 requirements, including self powered siren, selectable intrusion sensor, illuminated entry.

Hard Top Roof and 'Short' Soft Top: March 2002

Hardtop roof panel introduced as factory option. Incorporates revised rear window shroud with external weatherstrip and new, shorter, soft top without tails.

Elise Sport 190: February 2002

33 cars plus 2 conversions approx

Designed for the track use only. Race cars had LS1 chassis build plates. Race cooling system & engine oil cooler. Gas pressurised racing dampers, Adjustable ride height & front anti-roll bar, Safety roll bar, MSA approved race seat and 4-point harness, Plumbed in fire extinguisher and battery master cut out switch. 282mm diameter ventilated discs, Lotus/AP racing 2 piston calipers and racing pads. (Appears not all models had these).

Elise Type 72: March 2002

Part of the Elise Heritage Editions.

Starlight Black with two gold heritage laurels. Gold Alcantara on the seat centres, door panels and steering wheel centre, finished with gold laurel on each headrest. Gold Rimstock light alloy 6-spoke

Elise 111 & 111S: May 2002

VIN character 4 = J; Serial number from 2677.

Std. car continues unchanged. 111 & 111S versions available as option, including: 160ps VVC engine; 'G6' transmission ratios; new exhaust muffler with round tailpipes and flap valve; intake resonator box; oil/water heat exchanger; larger type (a.c.) radiator, twin rad. fans and re-circ. pump; 8-spoke heat treated road wheels; enhanced rear diffuser; Shurlock instrument pack; heater cars use HVAC system (see above) less a.c. equipment.

Elise Type 25: May 2002

Only 50 for UK + 4 for Australia. Part of the Elise Heritage Editions.

Racing Green metallic (B86) & Twin Yellow stripes pearlescent (B83). Perforated Ruby Red leather seats, door panels and steering wheel centre. Red laurels embroidered onto the headrest of each seat.

Herritage Type 25 ID plate, Both hard top and soft top as standard.

Wheels Satin Black Rimstock light alloy 6-spoke & 8-spoke black wheels

Elise Type 49: October 2002

Approx 50 cars, 9 for Euro, rest UK. Part of the Elise Heritage Editions.

Ardent Red (B94) over Old English White (B71) with a gold stripe between the two colours. Gold 6-spoke alloy wheels colour Carrs Paint IL1742. Front driving lights Perforated scarlet red leather seats and steering wheel centre. Black Alcantara door panels. Distinctive heritage laurels are embroidered into the head restraints. Body coloured hard top and black soft top as standard. Heritage ID plate

Elise Type 23: March 2003

Approx 50 cars. Part of the Elise Heritage Editions.

Old English White (B71) with twin Lotus Racing Green stripes (B21), Two Lotus heritage laurels above both side repeaters. Perforated green leather door panels, steering wheel centre and seats. Distinctive heritage laurels are embroidered into the headrestraints. Body coloured hard top and green soft top as standard. wheels silver rimstock light alloy 6-spoke

Elise 99T: March 2003

30 cars. Part of the Elise Heritage Editions.

Saffron Yellow. Polished handbrake sleeve, interior heritage plate, Two Lotus heritage laurels above both side repeaters. Embroidered heritage logo on seat headrest, wheels black 8-spoke

Lotus Sport 135R: May 2003

VIN character 4 = M; Serial number from 4612.

Sports option for U.K. only. Based on standard car with following changes: 100kW engine with modified porting, 111/111S type intake manifold, 52mm throttle body and complete exhaust system, re-programmed ECM. Sports suspension with stiffer springs and dampers, adjustable spring pans, 5-hole anti-roll bar, re-positioned steering rack. O.Z. 16-spoke roadwheels in black or silver with 6.5J front rims. Yokohama A048 tyres. Cross-drilled brake discs. 111/111S rear diffuser. Body colour Silver Mica, Blue Mica or Saffron Yellow. Body colour grilles on mica cars. 'Lotus Sport 135R' decals and interior embroidery. Blue Alcantara trim features. Plaque on passenger sill.

Lotus Sport 111: May 2003

Aluminium plate etched 'Lotus Sport 111' bonded to chassis below VIN at right hand front. '04 M.Y. VIN from serial number 0004.

Track biased option for Australia, Hong Kong, Japan, Singapore. Based on Elise 111 with following changes: Sports suspension with stiffer springs and dampers, adjustable spring pans, 5-hole anti-roll bar, re-positioned steering rack. O.Z. 16-spoke roadwheels in black or silver with 6.5J front rims. Yokohama A048 tyres. Body colour Silver Mica, Blue Mica, Starlight Black, Ardent Red. Body colour grilles. 'Lotus Sport 111' decals and interior stitching Black Alcantara trim features. High grade roof hoop with optional forward brace for MSA approval. Plaque on passenger sill.

2004 Model Year: May 2003

VIN character 10 = 4; Serial number restarts at 0001.

Range as previous with following new features: Optional central door locking on driver's and passenger's doors operated via Cobra 8185/8186 alarm transmitter. Electric window operation combined with CDL option. Gearchange mechanism noise suppression. Interior noise suppression package on 'S' variants. Uprated battery, bar graph fuel display, orange backlighting, restyled repeater lamps, optional CD multichanger in boot, aerial ground plane, washer bottle in engine compartment, optional Tracker security. Sun visors, new trim features. Lotus roundel on rear transom. Red spark plug cover.

Lotus Sport Gordon Lamb Special Edition: October 2003

Lightning Blue metallic paint (Saab code 270)

Dupont Stock code isF5129 3/4

carpet set in wool with blue Lotus Sport logo. Black leather seats with carbon effect sides and blue stitching. Headrests embroidered with blue Lotus Sport logo. Cross drilled brake discs, Blue soft top, Door panels in black leather with blue stitching and carbon infill panels. Gordon Lamb decal above both side repeaters. Blue brake calipers (from AP Racing) Black Alcantara trimmed centre console with blue stitching. Build plate. Wheels Rimstock light alloy 8-spoke as 111S in gold

ELISE

Updated 2nd January 2018

Elise Japan 10th: July 2005

Vehicle build for Anniversary VVC Japanese edition.

Parts deviation to standard Japanese 111 with ACU spec.

Embroidered 10th Anniversary logo on leather seats, interior specially trimmed, Aspen White or Graphite Grey, Ohlins Dampers, Special build plate, Front wheel arch extension spats. Sports exhaust and induction kit supplied. Wheels OZ light alloy 8-spoke

Revised 5-speed Transmission for Standard Elise: July 2005

VIN serial number 4919

Transmission for Rover powertrain cars changed from B4BP to C4BP.

Lowered 1st & 2nd gear ratios, raised 5th gear ratio.

2006 Model Year: September 2005

VIN character 10 = 6; Serial number restarts at 0001, common to all variants. Specification unchanged.

ELISE

Updated 2nd January 2018

ELISE

10.00 Body

- 10.01 Body: Front & Rear Clamshells & Fixings
- 10.02a Body: Sill Panels, Windscreen Frame & Rear Bulkhead
- 10.04 Crash Structures
- 10.09a Front Services Access Panels
- 10.11 Tailgate & Release Mechanism
- 10.15 Door Shells, Beams, Hinges
- 10.17 Door Latch Mechanism
- 10.20 Rear Window Shroud & Fixings
- 10.25 Undertray & Diffuser
- 10.31 Towing Strut/ Hook

11.00 Glazing and Seals

- 11.01 Windscreen, Door Glass, Seals & Weather Strips
- 11.02 Door Window Lift Mechanism

12.00 Exterior Fittings

- 12.01 Wheelarch Liners
- 12.02 Soft Top Roof, Cant Rails, Roof Bows
- 12.03 Grilles and Louvres
- 12.04 Roof Panel, Seals & Fixings
- 12.05 Decals, Badges & Protective Film
- 12.07 Licence Plate Mountings
- 12.09 Exterior Driving Mirrors

13.00 Seats & Seat Belts

- 13.01 Seat Runners
- 13.02 Seat Assemblies, front
- 13.27 Seat Belts, front

14.00 Pedal Box & Fascia

- 14.01 Pedal Box, Pedals, Throttle Control
- 14.05 Fascia Structure & Supporting Hardware
- 14.10 Instrument Cowling

15.00 Interior Trim

- 15.05 Interior Driving Mirror & Sunvisors
- 15.11 Interior Trim & Stowage Provision
- 15.13 Front Door Trims
- 15.18 Interior Trim, Chassis Trim Panels
- 15.19 Centre Tunnel Trim, Gear Lever Gaiters/Shrouds
- 15.24 Luggage Compartment Carpet
- 15.30 Carpeting & Mats

16.00 Sound Insulation

- 16.01 Passenger Compartment Sound Insulation

17.00 Electrical

- 17.01 Harnesses, Leads
- 17.03 Horn, Inertia Switch, Modules, Fuses & Relays
- 17.05 Interior Switches, Auxiliary Power Socket
- 17.06 Engine Management & Sensors
- 17.07 Instruments, Tell Tales, & Displays
- 17.11 Exterior Lamps, Except Headlamps
- 17.13 Headlamps
- 17.17 Interior Lamps
- 17.21 Windscreen Wiper Motor, Wipers & Washers
- 17.27 In Car Entertainment
- 17.31 Battery, Clamps, & Cables
- 17.33 Security Alarm System, Parking Sensors & Camera
- 17.33a Security Alarm System, Cobra

ELISE

18.00 Heating, Ventilation, Air Conditioning

- 18.01 Heater/ Air Conditioning Assemblies, Housings
 - 18.03 AC Components, Pipes, Hoses
 - 18.05 Heater, Pipes, Hoses
 - 18.07 Interior Blower Motor, Heater Matrix, Intakes & Ducting
 - 18.07a AC Interior Blower Motor
 - 18.09 Driver Operated Controls
 - 18.09a AC/Heater Driver Operated Controls
 - 18.12 AC/Heater Air Distribution Plenum
 - 18.13 Air Trunking, Ducts & Ventilators
 - 18.14 AC Air Recirculation System
-

19.00 Labels & Literature

- 19.01 Labels, Certificates, Literature etc.
 - 19.03 Owner's Handbooks & Service Notes Manuals
-

30.00 Chassis

- 30.01 Chassis, Subframes
 - 30.02 Seat Belt Mounting Frames, Stays
 - 30.19 Longerons
-

31.00 Suspension

- 31.01 Front Suspension, Incl. Hubs
 - 31.03 Rear Suspension, Incl. Hubs
-

32.00 Steering

- 32.01 Rack & Pinion, & Lower Column
 - 32.05 Upper Column, Steering Wheel
-

33.00 Brakes

- 33.01 Brake Discs, Calipers, & Parking Brake Assembly
 - 33.03 Master Cylinder, Servo, ABS Controller, Pipes & Hoses
-

- 33.05 Parking Brake Mechanism
-

34.00 Wheels & Tyres

- 34.01 Wheels, Tyres & Valves
-

40.00 Engine

- 40.00 Engine Assemblies
 - 40.01 Engine Block & Oil Pick up
 - 40.01a Engine Mounts
 - 40.02 Gaskets & Sealants, Top Overhaul Set
 - 40.02a Gaskets & Sealants, Bottom Overhaul Set
 - 40.03 Sump Assembly
 - 40.05 Cylinder Head, Valves, Springs
 - 40.07 Camshafts, Tappets, Cam Cover
 - 40.07a Camshafts, Tappets, Cam Cover VVC
 - 40.09 Pistons, Con-rods, Liners
 - 40.11 Crankshaft, Bearings, Flywheel
 - 40.13 Water Pump Assembly, Thermostat
 - 40.15 Lubrication System
 - 40.17 Ignition System, Spark plugs & Plug Top Coils
 - 40.19 Alternator and Starter Motor
 - 40.21 Exhaust Manifold
 - 40.23 AC Compressor
-

41.00 Belts and Pulleys

- 41.01 Camshaft Belts, Guards & Pulleys
 - 41.01a Camshaft Belts, Guards & Pulleys, VVC
 - 41.03 Auxiliary Drive Belts & Pulleys
-

42.00 Induction Systems

- 42.01 Airboxes, Trunking & Air Filters
 - 42.01c Airboxes, Trunking & Air Filters, VVC
-

ELISE

- 42.04 Throttle Body, Mechanism & IAC Valve
- 42.05 Fuel Injection System
- 42.07 Inlet Manifold, Plenum & gaskets
- 42.07a Inlet Manifolds, Plenum & Gaskets VVC

43.00 Emission Equipment

- 43.03 Vacuum System, Hoses, Pipes & Fittings

44.00 Fuel System

- 44.01 Fuel Tanks, Filler
- 44.03 Fuel Pump; Filter, Pipes
- 44.05 Charcoal Canister & Evaporative Loss System.

45.00 Exhaust

- 45.01 Exhaust System
- 45.05 Heatshields

46.00 Cooling

- 46.01 Engine Cooling System & Fan
- 46.01b Engine Cooling System & Fans, VVC & AC
- 46.03 Oil Cooler/Heat Exchanger & Pipes
- 46.05 Engine Bay Cooling, Ducts & Trunking

47.00 Transmission

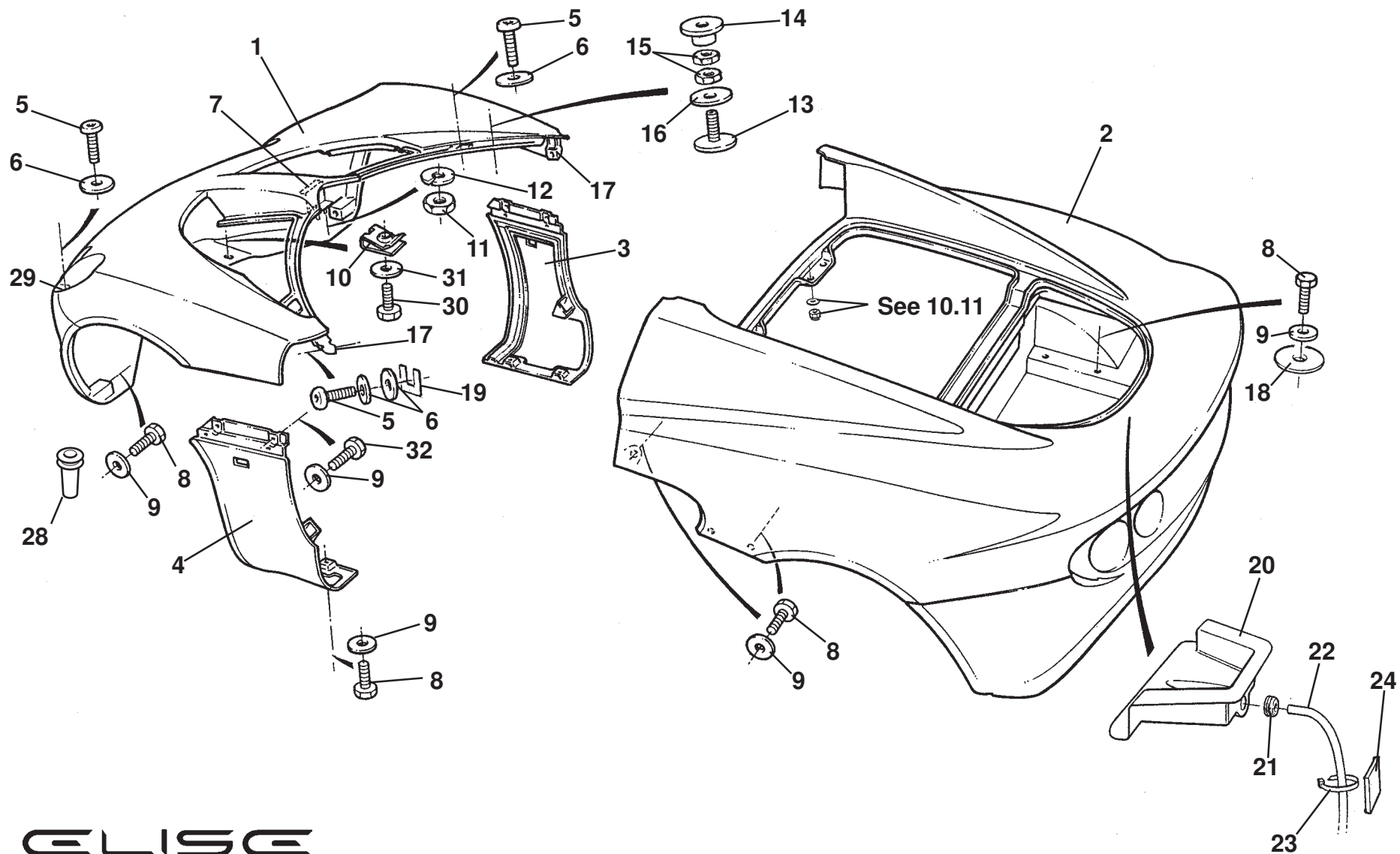
- 47.01 Clutch & Release Mechanism
- 47.03 Transmission Assembly
- 47.05 Gearchange Mechanism, External
- 47.06 Gear Selector Mechanism, Internal
- 47.07 Gears, Shafts & Bearings
- 47.11 Final Drive & Bearings
- 47.15 Driveshafts & Seals

60.00 Special tools

- 60.01 Tool Kit
- 60.01a Diagnostic Equipment
- 60.02 Special Tools

80.00 Bulk Items

- 80.20a Touch-in Paint Pencil Range
-



ELISE

10.01

Updated 24th January 2013

Service Parts List **ELISE**



Function Code 10.01 Body: Front & Rear Clamshells & Fixings

<u>Dep</u>	<u>Part Description</u>	<u>Remarks</u>	<u>Option</u>	<u>Part Number</u>	<u>Qty</u>
01	Front Clamshell			B117B0003K	1
01a	Panel Lamp Support LH	Not illustrated, bonded to clam		D117M0031F	1
01b	Panel Lamp Support RH	Not illustrated, bonded to clam		D117M0030F	1
02	Rear Clamshell	May have to be modified for 111/111S*, see below		C117B0017K	1
03	Door Hinge Cover Panel, RH			A117B0220K	1
04	Door Hinge Cover Panel, LH			A117B0219K	1
05	Screw, M8 x 25, S/S, button hd.			A111W7175F	6
06	Washer, flat, S/S, M8 x 20.5 x 1.6			A111W4176F	8
07	Bracket, centre front clamshell	Part of clamshell assy.		C117B0193F	1
08	Screw, M6 x 16, hex. hd.			A075W1028Z	14
09	Washer, flat, M6 x 18 x 1			B082W4018F	17
10	Spirenut, M6			B100W6372F	3
11	Nut, M6			A075W3020Z	2
12	Washer, spring, M6			A075W4035Z	2
13	Spigot, outer fixing, front access panels			A117B0334F	2
14	Shouldered Nut, outer fixing access panel			A117B0335F	2
15	Locknut, M10, height adjuster fix.			A075W3024Z	4
16	Washer, flat, M10 x 24 x 1.5, spigot to clam.			A075W4023F	2

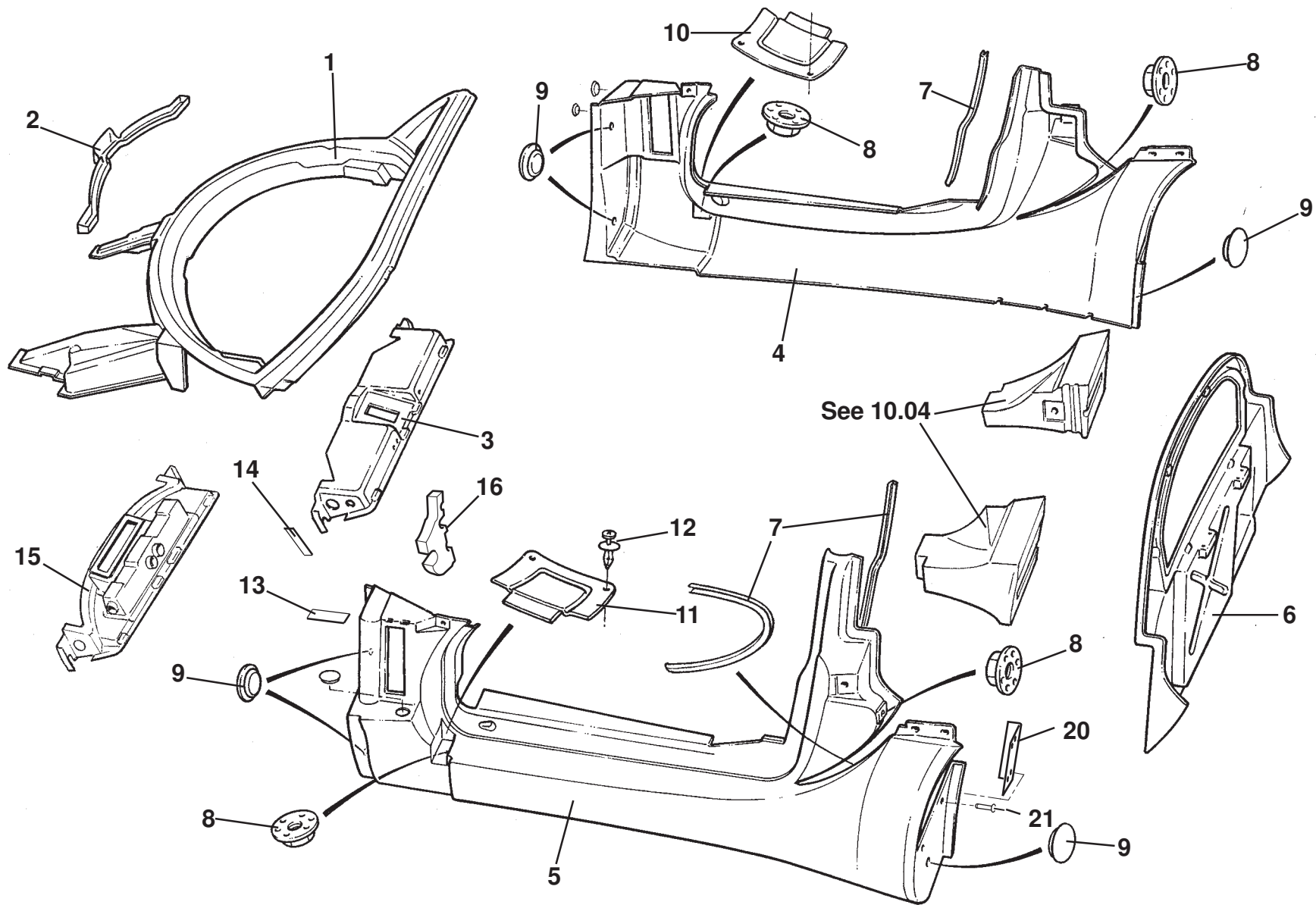
ELISE

Function Code: 10.01, Page: 1

Updated 1st December 2014

Function Code 10.01 Body: Front & Rear Clamshells & Fixings

<u>Dep</u>	<u>Part Description</u>	<u>Remarks</u>	<u>Option</u>	<u>Part Number</u>	<u>Qty</u>
17	Bracket, front clamshell	Part of clamshell assy.		B117B0163F	2
18	Shim, boot floor to longerons			A111F0005K	5
19	Shim, front clamshell alignment, 0.5mm			A116B0460K	As req.
19a	Shim, front clamshell alignment, 1.0mm			A116B0461K	As req.
20	Drain Cover, rear		'04 MY	A117B0660K	1
21	Grommet, drain tube		'04 MY	X036B6150Z	1
22	Drain Tube, 4mm		'04 MY	A116M0040V	0.5M
23	Cable tie, tube retention		'04 MY	A075W6038Z	2
24	Base, cable tie		'04 MY	A117W6729F	2
25	Buffer, self adhesive, clamshell to shroud	Not illustrated		A111J6027F	2
26	Pad, front clamshell mounting to rad. housing	Not illustrated, see 46.01		A117U0163F	2
27	Foam Infill, clamshell spine front	Not illustrated, bonded to clam.		A117B0502F	1
28	Drain Tube, headlamp		Early cars	A117M6030F	2
29	Decal Blanking 26mm	Not illustrated		A116B0399F	2
30	Screw M5 x16 hex hd s/s			A111W1163F	5
31	Washer Flat 3/16 x 3/4 x 16g s/s			B075W4009Z	5
32	Screw, M6 x 12, hex. hd.	Front clam to cover panel		A075W1027Z	4
		*If early boot bulkhead fitted, provide clearance for VVC intake plenum by fitting Sport 135 infill panel: A117B0440F (see Service Notes or LSL421)	111/111S		



ELISE

10.02a

Updated 1st July 2014

Service Parts List **ELISE**



Function Code 10.02a Body: Sill Panels, Windscreen Frame & Rear Bulkhead

<u>Dep</u>	<u>Part Description</u>	<u>Remarks</u>	<u>Option</u>	<u>Part Number</u>	<u>Qty</u>
01	Windscreen Frame Assembly		Painted	A116B0148K	1
02	Gutter, windscreen frame			A117B0153F	1
03	Baffle Panel, scuttle to screen frame		Standard heater cars	A116B0195J	1
04	Sill Panel, RH	Also order items 20 & 21	C117B0030K R/B	A120B0050K	1
05	Sill Panel, LH	Also order items 20 & 21	C117B0031K R/B	A120B0051K	1
06	Rear Bulkhead			A117B0110F	1
06a	Rear Bulkhead		'04 MY	E117B0110F	1
07	Edge Finisher, 'B' post/side intake, smooth	Cut to fit		A111U6034V	As req.
07a	Edge Finisher, 'B' post/side intake, textured	Cut to fit, one piece LH to RH		A117B6010V	As req.
07b	Edge Finisher, 'B' post, smooth		'04 MY	A117U0462F	2
07c	Edge Finisher, side intake, smooth	Cut to fit		A117U6015V	As req.
07d	Edge Finisher, side intake, smooth		'04 MY	A117U0463F	2
08	Captive Nut, M8, big hd.			A111W6592F	18
09	Blanking Grommet, 12.5mm			A100B6163F	1
10	Finisher Panel, front sill recess, RH			B117U0168F	1
11	Finisher Panel, front sill recess, LH			B117U0169F	1
12	Plastic Fastener, panel fix.			A100W6479F	4
13	Pad, hole blanking, upper hinge fixings			A117U0258F	2

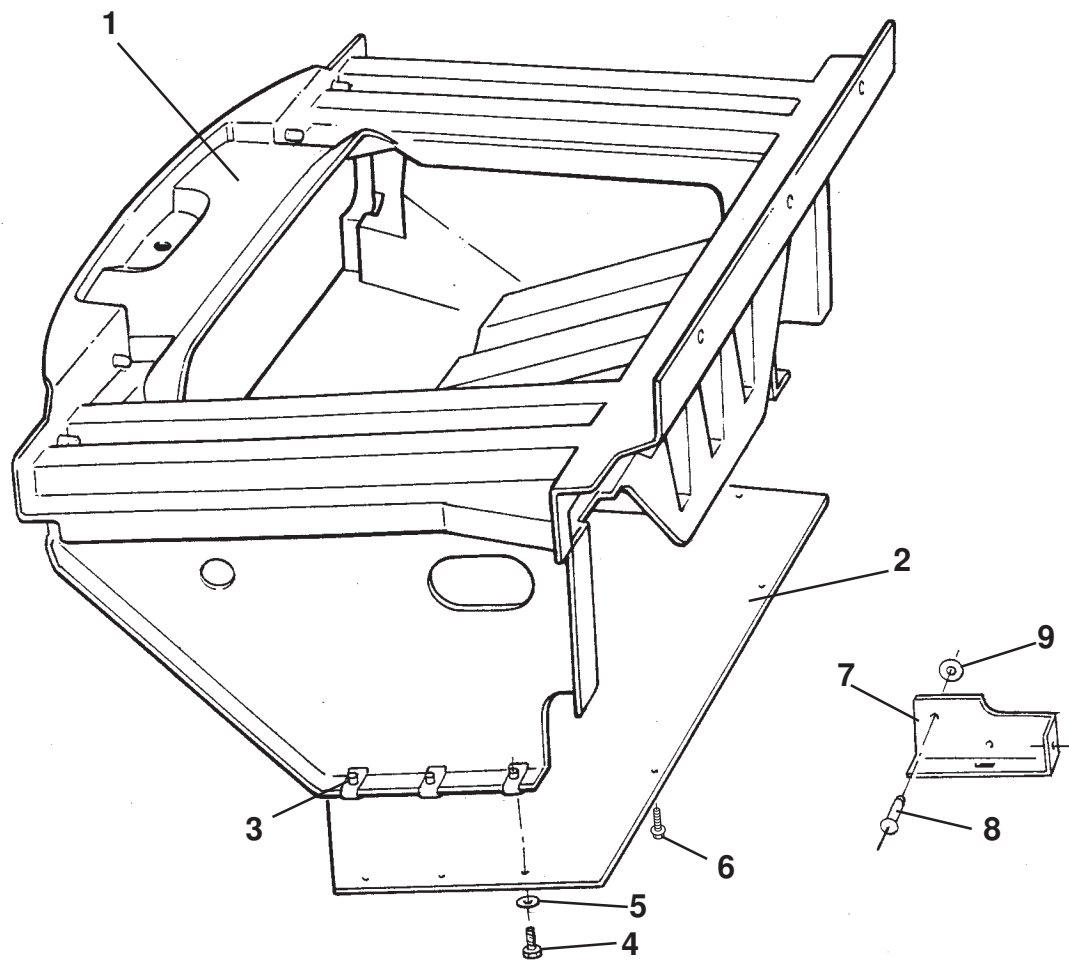
ELISE

Function Code: 10.02a, Page: 1

Updated 1st July 2014

Function Code 10.02a Body: Sill Panels, Windscreen Frame & Rear Bulkhead

<u>Dep</u>	<u>Part Description</u>	<u>Remarks</u>	<u>Option</u>	<u>Part Number</u>	<u>Qty</u>
14	Foam Strip, 300mm, baffle panel to screen frame	Cut to fit, see Service Notes, section BO		A082U6065V	2
15	Baffle Panel/FLV Plenum Assembly		AC cars, 111/111S	B117P0019F	1
16	NVH Foam, sill front		Heater cars B117B0034F R/B	C120B0074F	2
16a	NVH Foam, sill front		AC cars C117B0034F R/B	C120B0074F	2
17	Blanking Grommet, 30mm, RH sill front, unused AC pipe hole		Heater cars	A079U6033F	1
18	Blanking Grommet, 19mm, RH sill front, unused AC pipe hole		Heater cars	A116W6714F	1
19	Blanking Grommet, 38mm, door aperture front	Unused door harness hole	Non CDL cars	A116W6730F	2
20	Bracket, sill rear to chassis			A120B0053F	2
21	Pop Rivet, bracket to sill			A111W6613F	4



ELISE

10.04

Updated 2nd February 2015

Service Parts List **ELISE**



Function Code 10.04 Crash Structures

<u>Dep</u>	<u>Part Description</u>	<u>Remarks</u>	<u>Option</u>	<u>Part Number</u>	<u>Qty</u>
01	Front Crash Structure Assembly, includes nut plates*		A120B0190J R/B	B120B0190J	1
02	Panel, front undershield			B117B0237F	1
03	Spirenut, M5, undershield fix			B100W6372F	6
04	Screw, M5 x 16, pozi., undershield fix			A111W1163F	6
05	Washer M5 x 18 x 1.5, undershield fix.			A075W4015Z	6
06	Screw, M6 x 12, flg. hd., undershield fix.			A111E6007F	3
07	Alloy Plate. LH			A111B0531F	1
07a	Alloy Plate, RH			A111B0530F	1
08	Pop Rivet, plate fix.			A085W6259F	6
09	Washer, flat, 3/16" x 1/2", plate to crash structure			A075W4000Z	4
10	Side Impact Foam, RH	A117B0514F R/B	From VIN: 3 4528	A120B0063F	1
11	Side Impact Foam, LH	A117B0515F R/B	From VIN: 3 4528	A120B0062F	1
12	Bracket, foams to chassis		From VIN: 3 4528	A117B0556F	2
13	Pop Rivet, brackets to chassis		From VIN: 3 4528	A117W6734F	8
14	Grille, leaf screen	Bonded to crash structure		A117B0466F	2
15	Edging Strip, hose protection			A111U6034V	0.3m
16	Betaseal 1701, crash structure bonding	Not illustrated		A082B6281F	300mm

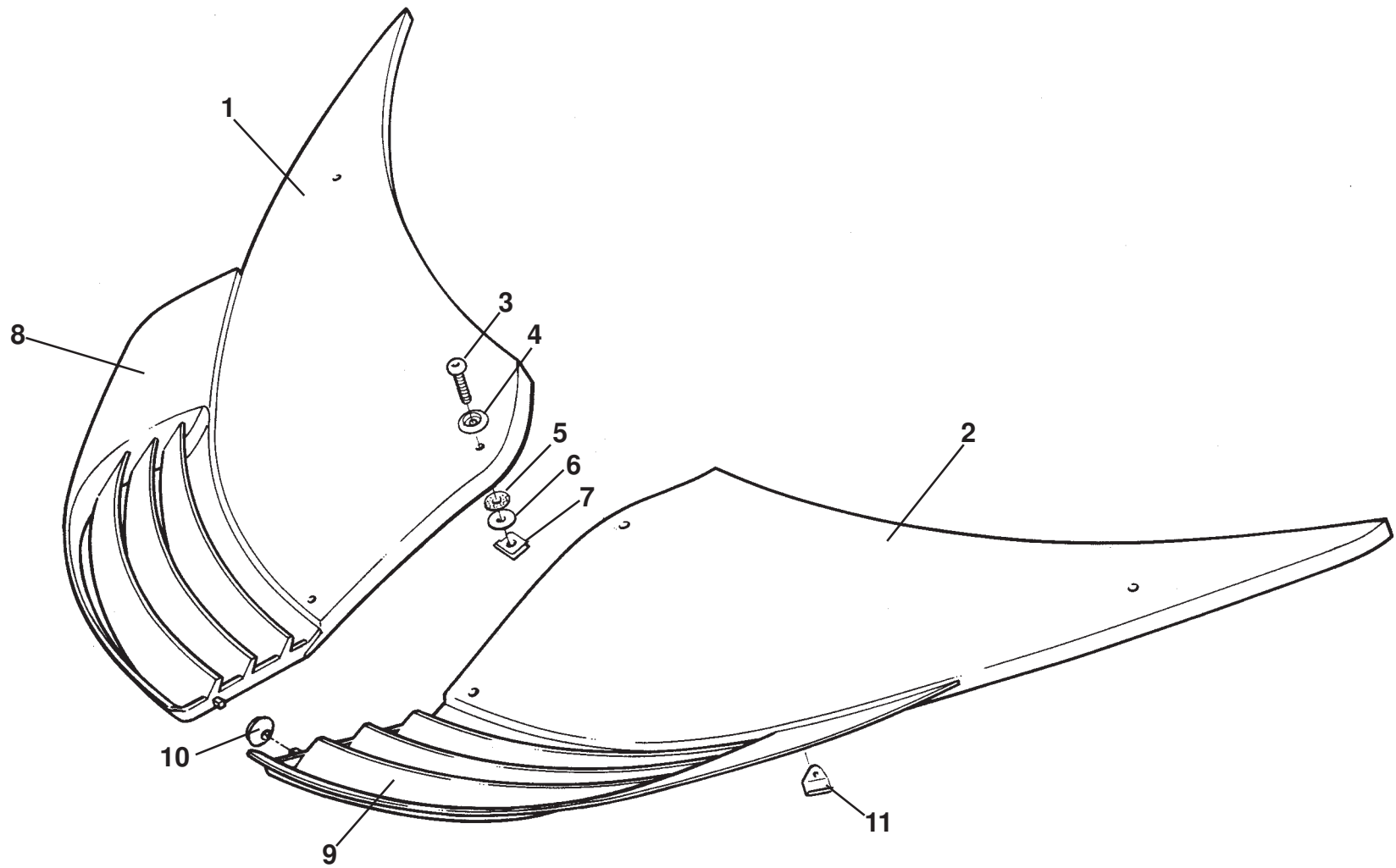
ELISE

Function Code: 10.04, Page: 1

Updated 2nd February 2015

Function Code 10.04 Crash Structures

<u>Dep</u>	<u>Part Description</u>	<u>Remarks</u>	<u>Option</u>	<u>Part Number</u>	<u>Qty</u>
		*A level crash structure no longer available for cars fitted nuts welded onto towing eye bracket see 2b 10.31 on Elise MY04 parts list			



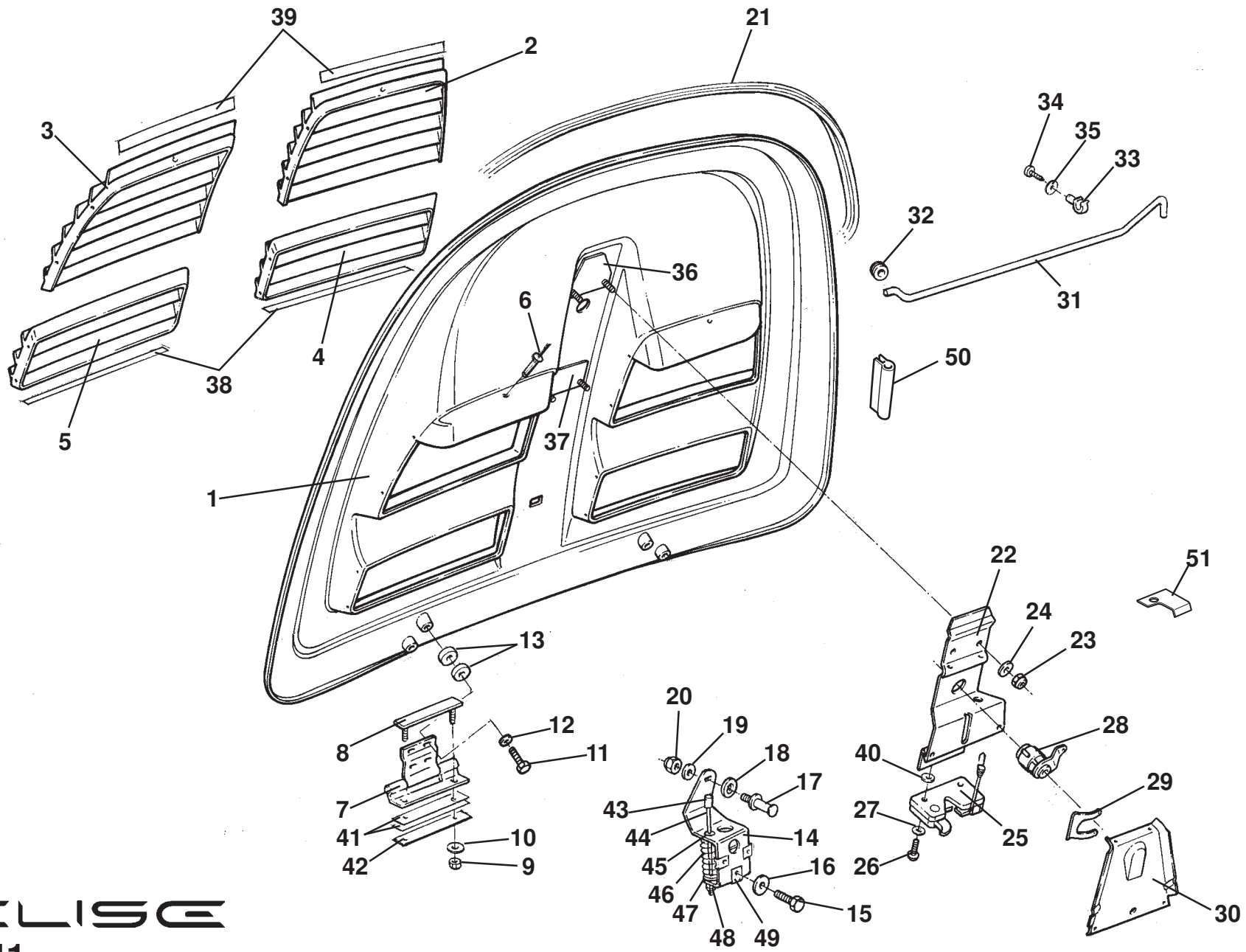
ELISE

10.09a

Updated 15th April 2011

Function Code 10.09a Front Services Access Panels

<u>Dep</u>	<u>Part Description</u>	<u>Remarks</u>	<u>Option</u>	<u>Part Number</u>	<u>Qty</u>
01	Access Panel, front services, RH		B117B0266J R/B	A117B0044K	1
02	Access Panel, front services, LH		B117B0267J R/B	A117B0045K	1
03	Screw, M5 x 20, button. skt. hd., panel fix.			A082W7173F	6
04	Escutcheon, screw to panel			B340B0123F	6
05	Washer, rubber, M5, screw to panel			A082W4115F	6
06	Washer, retaining, screw to panel		A340W4183F R/B	A111J6016F	6
07	Spire Nut, M5, S/S		A117W6682F R/B	B100W6372F	4
08	Grille, front access panel, RH		C117B0122F R/B	G117B0122F	1
09	Grille, front access panel, LH		C117B0121F R/B	G117B0121F	1
10	Grommet, panel spigot retaining			X036B6010Z	2
11	Locating Bracket, panel front to clamshell			B111B0188F	2



ELISE
10.11

Updated 16th July 2012

Service Parts List **ELISE**



Function Code 10.11 Tailgate & Release Mechanism

<u>Dep</u>	<u>Part Description</u>	<u>Remarks</u>	<u>Option</u>	<u>Part Number</u>	<u>Qty</u>
01	Engine Cover Lid, with antenna hole			A117B0051K	1
01a	Engine Cover Lid, without antenna hole			C117B0051K	1
02	Grille, outlet, RH rear		C117B0218F R/B	E117B0218F	1
03	Grille, outlet, LH rear		C117B0217F R/B	E117B0217F	1
04	Grille, outlet, RH front		D117B0130F R/B	F117B0130F	1
05	Grille, outlet, LH front		D117B0129F R/B	F117B0129F	1
06	Pop Rivet, plastic, rear grilles to lid			A082W6528F	6
07	Hinge assembly			C117B6002F	2
08	Stud Plate, hinge retention			A117B0236F	2
09	Nyloc Nut, M6, hinge to stud plate			A907E6285F	4
10	Washer, flat, M6 x 25			B075W4017Z	4
11	Screw, M6 x 16, hex. hd., hinge to lid			A075W1028F	4
12	Washer, flat, M6 x 15 x 3			A075W4014Z	4
13	Washer, spacer, M8 x 20 x 2.5			A079W4019F	8
14	Bracket, striker pin/lift assembly, engine cover lid		C117B0339H	B117B0326F	1
15	Screw, M6 x 16, hex.hd., bracket to bulkhead			A075W1028Z	3
16	Washer, flat, M6 x 20 x 2.5, bracket to bulkhead			B082W4016F	3
17	Striker Pin			A117B0223F	1

ELISE

Function Code: 10.11, Page: 1

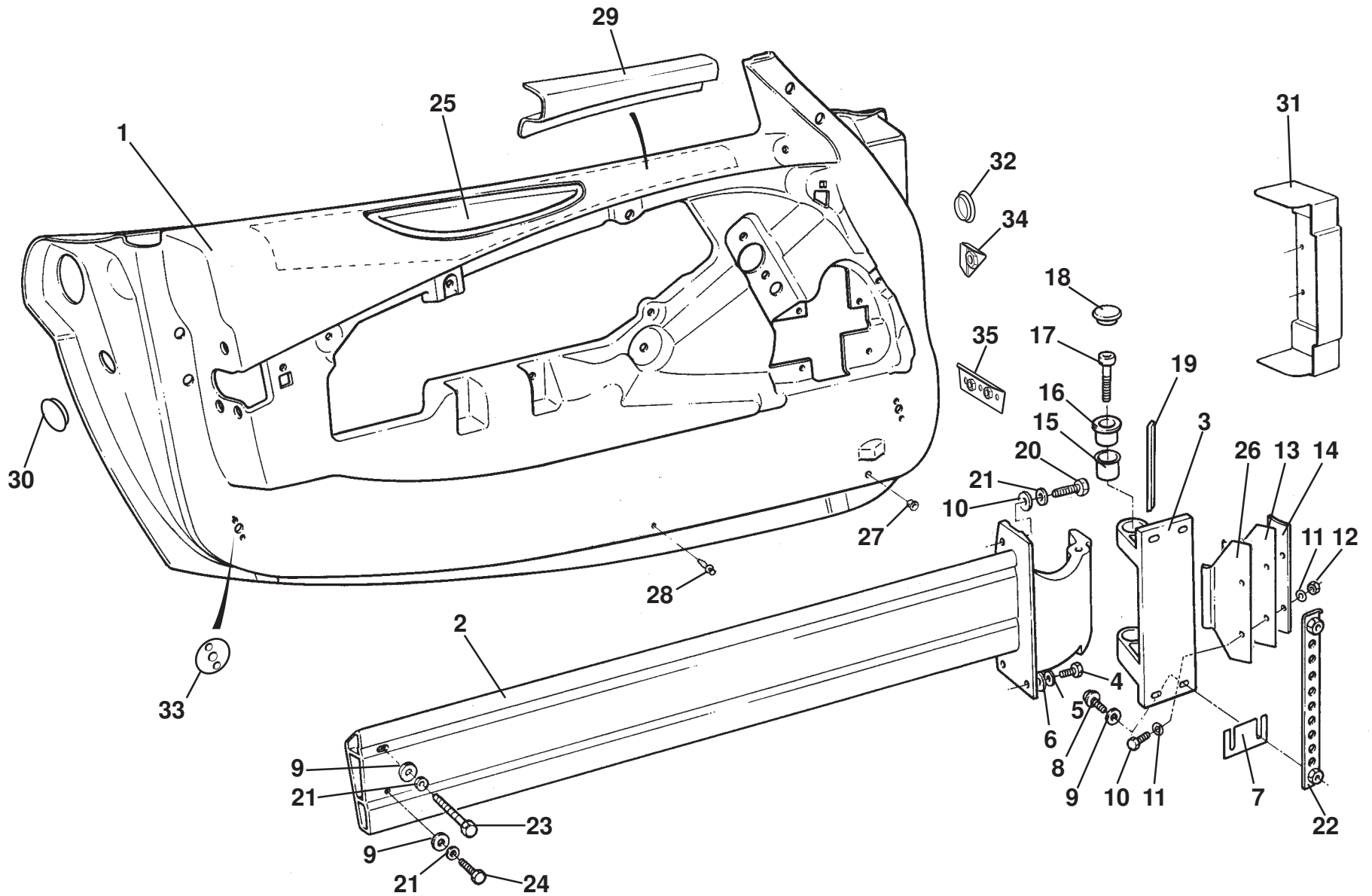
Updated 16th July 2012

Function Code 10.11 Tailgate & Release Mechanism

<u>Dep</u>	<u>Part Description</u>	<u>Remarks</u>	<u>Option</u>	<u>Part Number</u>	<u>Qty</u>
18	Washer, flat, M10 x 20.5 x 1.8			A075W4024Z	1
19	Washer, flat, M6 x 12.1 x 1.4			A075W4013Z	1
20	Nyloc Nut, M6, pin to bracket			A907E6285F	1
21	Weatherseal, luggage compartment gutter		A089V6055F R/B	A117U6001V	1.92M
22	Bracket, latch retention		A117B0053F R/B	B117B0053F	1
23	Nyloc Nut, M6, bracket to lid			A907E6285F	4
24	Washer, flat, M6 x 12.1 x 1.4			A075W4013Z	4
25	Latch Assembly			A117B6001F	1
26	Screw, M6 x 35, csk. skt. hd., latch to bracket	Black finish	A111W1150F R/B	A079W7004F	2
27	Washer, flat, M6 x 25 x 1.4, SS	Black finish		A082W4131F	2
28	Lock Barrel	Only sold as part of lock set, see 10.17		B117H0001F	1
29	Clip, barrel retention			A117B6009F	1
30	Cover, latch assembly			A117U0162F	1
31	Stay, lid supporting			A117B0244F	1
32	Grommet, stay to bulkhead			X036B6150Z	1
33	Retaining Clip, stay			A082W6325F	1
34	Screw, No.8 x 0.5", pan hd., pozi., clip fixing			A075W5034Z	1
35	Washer, flat, 3/16 x 1/2", blk.			A075W4063Z	1
36	Stud Plate, bracket fixing, rear			A117B0243F	1
37	Stud Plate, bracket fixing, front			A117B0242F	1

Function Code 10.11 Tailgate & Release Mechanism

<u>Dep</u>	<u>Part Description</u>	<u>Remarks</u>	<u>Option</u>	<u>Part Number</u>	<u>Qty</u>
38	Double Sided Tape, 5mm, front edge of grilles to lid	Cut to fit		A117B0362V	As req.
39	Double Sided Tape, 19mm, rear edge of grilles to lid	Cut to fit		A117B0361V	As req.
40	Spacer Washer, M6 x 12.1 x 1.4, latch to bracket			A075W4013Z	2
41	Shim, ABS, 1.6mm, hinge to clamshell/bulkhead			A117B0386K	4
42	Sealing Plate, hinge to bulkhead		Early cars	A117B0389J	2
43	End Cap, PTFE, plunger, engine cover lift			A117B6028H	1
44	Plunger Pin, engine cover lift			B117B0377H	1
45	Bush, pin to bracket			A111U6018F	2
46	Plunger Spring, engine cover lift			A111U6023F	1
47	Washer, rubber, spring to bracket			A111U6055F	1
48	Nut, M6, plunger pin to bracket			A075W3020Z	1
49	Captive Nut, M6, bracket to bulkhead			A117W3181F	3
50	Weatherseal,engine bay gutters	200mm lengths x 4 - engine bay		A117U6001V	0.8
51	Cover, rear alarm switch		Optional upgrade	A117U0325F	1
52	Permabond A130	Not illustrated, used on screw item 26		A912E7033V	As req.



ELISE

10.15

Updated 27th february 2013

Service Parts List **ELISE**



Function Code 10.15 Door Shells, Beams, Hinges

<u>Dep</u>	<u>Part Description</u>	<u>Remarks</u>	<u>Option</u>	<u>Part Number</u>	<u>Qty</u>
01	Door Shell, LH		D117B0061K R/B	E117B0061K	1
01a	Door Shell, RH		D117B0060K R/B	E117B0060K	1
02	Door Beam, LH			A116U0029F	1
02a	Door Beam, RH			A116U0030F	1
03	Hinge, chassis to door beam			A111U0055F	2
04	Setscrew, M6 x 20, hex. hd., beam to door fix.			A075W1030Z	4
05	Washer, shakeproof, M6			A075W4046Z	4
06	Washer, flat, M6 x 1.5			A075W4015Z	4
07	Shim, door hinge, 1.0mm			A111B0316F	As req
07a	Shim, door hinge, 1.25mm			A116B0388F	As req.
07b	Shim, door hinge, 1.5mm			A111B0317F	As req
07c	Shim, door hinge, 2.0mm			B111B0314F	As req.
07d	Shim, door hinge, 3.0mm			B111B0315F	As req
08	Screw, M8 x 30, cap hd.			A089W7052F	8
09	Washer, flat, M8 x 16.6 x 1.4			A075W4020Z	18
10	Screw, M6 x M20, hex. hd.			A075W1030Z	4
11	Washer, flat, M6			A075W4013Z	8
12	Nut, M6, Nyloc			A075W3009Z	4

ELISE

Function Code: 10.15, Page: 1

Updated 1st December 2013

Function Code 10.15 Door Shells, Beams, Hinges

<u>Dep</u>	<u>Part Description</u>	<u>Remarks</u>	<u>Option</u>	<u>Part Number</u>	<u>Qty</u>
13	Spring Plate, door check	Fit follower, item 26 to spring plate	C116B0257F R/B	C111B0174F	2
14	Support Plate, door check spring			C111B0175F	2
15	Bearing, door hinge			A111U6025F	4
16	Bush, door hinge			A111U0057F	4
17	Screw, M10 x 30, cap hd.			A075W7030F	4
18	Dust Cap, door hinge			A111U6024F	2
19	Door Stop Buffer Strip	Cut to fit, 135mm, 2 off	B111B0178K R/B	B111B0177V	As req.
20	Setscrew, M8 x 20, hex. hd., beam to door fix.			A075W1038Z	4
21	Washer, shakeproof, M8			A075W4048Z	10
22	Nutplate, door hinges	Fitted in chassis		A111U0056F	4
23	Bolt, M8 x 45, hex,hd.,beam to rear bracket, upper			A075W2040Z	2
24	Setscrew, M8 x 25, hex. hd., beam to rear bracket, lower			A075W1039Z	2
25	Door Pull Interior Reinforcement, LH	Bonded inside doorshell	Prior to VIN: 3 4528	A117B0169F	1
25a	Door Pull Interior Reinforcement, RH	Bonded inside doorshell	Prior to VIN: 3 4528	A117B0170F	1
26	Follower, door check spring	Fit to item 13		A116B0418F	2
27	Finisher Ring, door drainholes			A075P6064F	2
28	Bump Stop Scrivet	Replaces self adhesive bumper		A116U0137F	2
29	Door Reinforcement, inner, LH	Bonded inside doorshell	From VIN: 3 4528	A117B0663F	1
29a	Door Reinforcement, inner, RH	Bonded inside doorshell	From VIN: 3 4528	A117B0664F	1
30	Blanking Grommet, door rear			A082B6057F	2
31	Cover, door hinge			A116B6006F	2

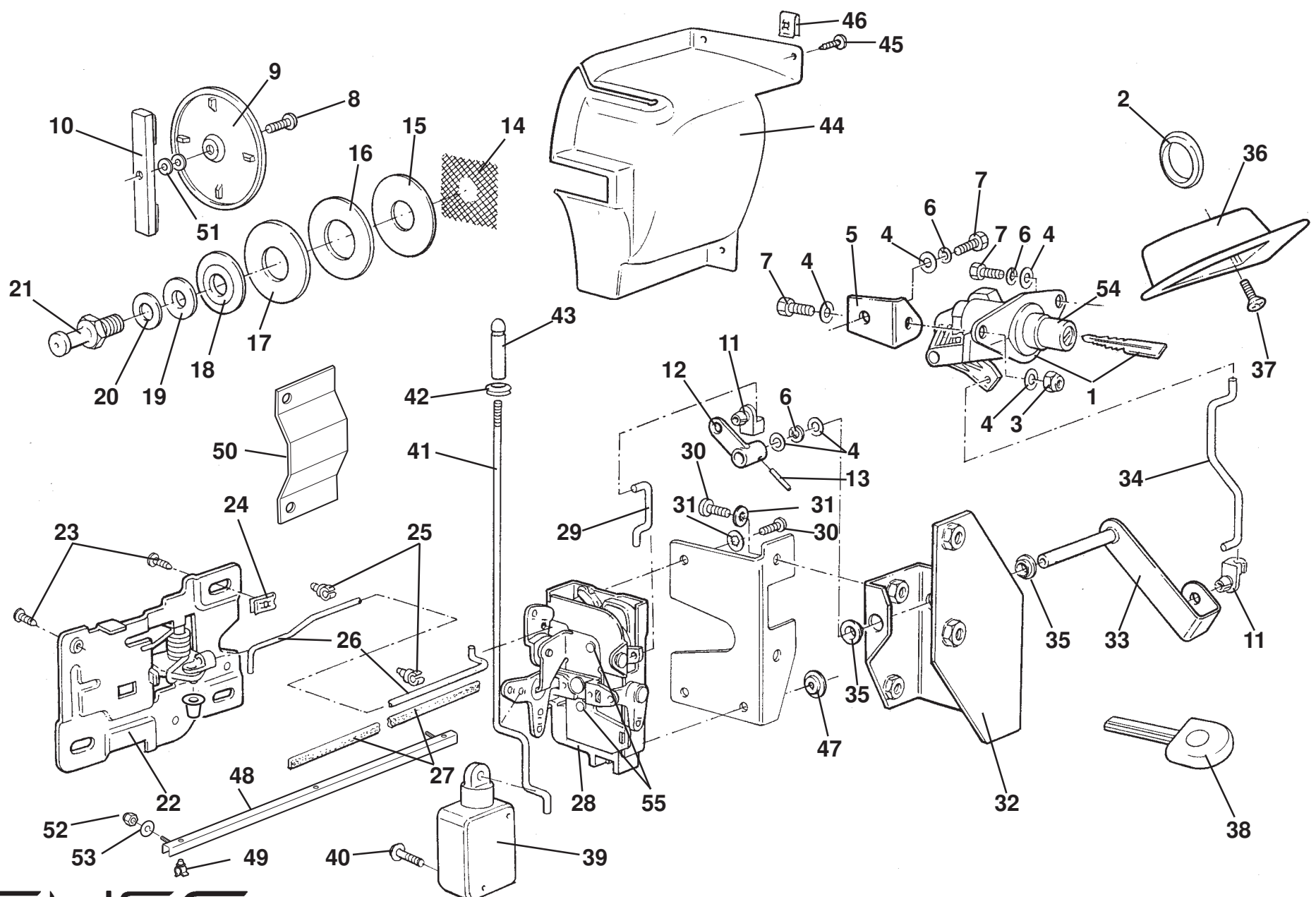
ELISE

Function Code: 10.15, Page: 2

Updated 1st December 2013

Function Code 10.15 Door Shells, Beams, Hinges

<u>Dep</u>	<u>Part Description</u>	<u>Remarks</u>	<u>Option</u>	<u>Part Number</u>	<u>Qty</u>
32	Blanking Grommet, 40mm, door front	Unused door harness hole		A116W6730F	2
33	Adjusting Plate Guide Rail			A116B0437F	4
34	Nutplate, door to beam, upper	Bonded inside doorshell		B111B0082F	2
35	Nutplate, door to beam, lower	Bonded inside doorshell		A111B0081F	2
36	Door Curtain	Not illustrated		A117U0152F	2



ELISE
10.17

Updated 4th September 2015

Service Parts List **ELISE**



Function Code 10.17 Door Latch Mechanism

<u>Dep</u>	<u>Part Description</u>	<u>Remarks</u>	<u>Option</u>	<u>Part Number</u>	<u>Qty</u>
01	Vehicle Lock Set, door, boot, steering, fuel & 2 key blades	(D-code) Order fuel cap (section 44.01) & blank keys (see line 38)	Up to VINs * see below	C117H0001F	1
01a	Vehicle Lock Set, door, boot, steering, fuel & 2 key blades	(L-code) Order fuel cap (section 44.01) & blank keys (see line 38a)	From VINs * see below. D117H0001F R/B	A120H0006F	1
02	Blanking Grommet, linkage access hole			A082B6057F	2
03	Nyloc Nut, M6, support brkt fix			A075W3009Z	2
04	Washer, flat, M6 x 12.1 x 1.4, support brkt fix			A075W4013Z	12
05	Support Bracket, release button, LH			A117U0001F	1
05a	Support Bracket, release button, RH			A117U0002F	1
06	Washer, wavy, 0.25", support brkt. fix.			A075W4087F	6
07	Setscrew, M6 x 16, support brkt. fix.			A075W1028Z	6
08	Screw, M5 x 10, pozi, cover plate fix			A111W5223F	2
09	Cover Plate, mechanism access hole			B111U0094K	2
09a	Reflector/Cover	Replaces cover plate: item 9		A117M6026F	2
10	Fixing Strap, cover plate			A111U0095F	2
11	Nylon Clip, linkage retention			A082U6267F	4
12	Lever, door latch release			A111U0122F	2
13	Roll Pin, door latch lever to spindle retention			A111U6560F	2
14	Shim, expanded stainless, door striker attachment			A111U0215F	2

ELISE

Function Code: 10.17, Page: 1

Updated 3rd May 2016

Function Code 10.17 Door Latch Mechanism

<u>Dep</u>	<u>Part Description</u>	<u>Remarks</u>	<u>Option</u>	<u>Part Number</u>	<u>Qty</u>
15	Shim, 2mm, door striker pin			A111U0220F	2
16	Shim, 4mm, door striker pin			A111U0219F	2
17	Front Collar, door striker pin			A111U0138F	2
18	Finisher, door striker pin		A111U0137K R/B	B111U0137F	2
19	Washer, striker			A111U0136F	2
20	Washer, flat, M12 x 24 x 1.6, door striker pin			A075W4071F	2
21	Striker Pin, door latch			A111U6003F	2
22	Release, door latch, interior, LH	Includes handle		A111U6005F	1
22a	Release, door latch, interior, RH	Includes handle		A111U6004F	1
23	Screw, No. 8 x 3/4", pozi., door release fix.			A075W5074Z	8
24	Spire Nut, No.8, captive, door release fix.			A075W6016Z	6
25	Plastic Clip, interior release rod guide			A075J6027Z	4
26	Rod, interior release to latch, LH			B117U0137F	1
26a	Rod, interior release to latch, RH			B117U0138F	1
27	Foam Strip, 19 x 3mm			A082U6067F	As req.
28	Latch mechanism, LH			A111U0389S	1
28a	Latch mechanism, RH			A111U0388S	1
29	Rod, latch to lever assy.			A111U0134F	2
30	Screw, M6 x 12, pozi., door latch/ bracket fix.			A111W5214F	10
31	Washer, shakeproof, M6, door latch fix.			A075W4046Z	6
32	Bracket, door beam attachment, LH			A111U0069F	1

ELISE

Function Code: 10.17, Page: 2

Updated 3rd May 2016

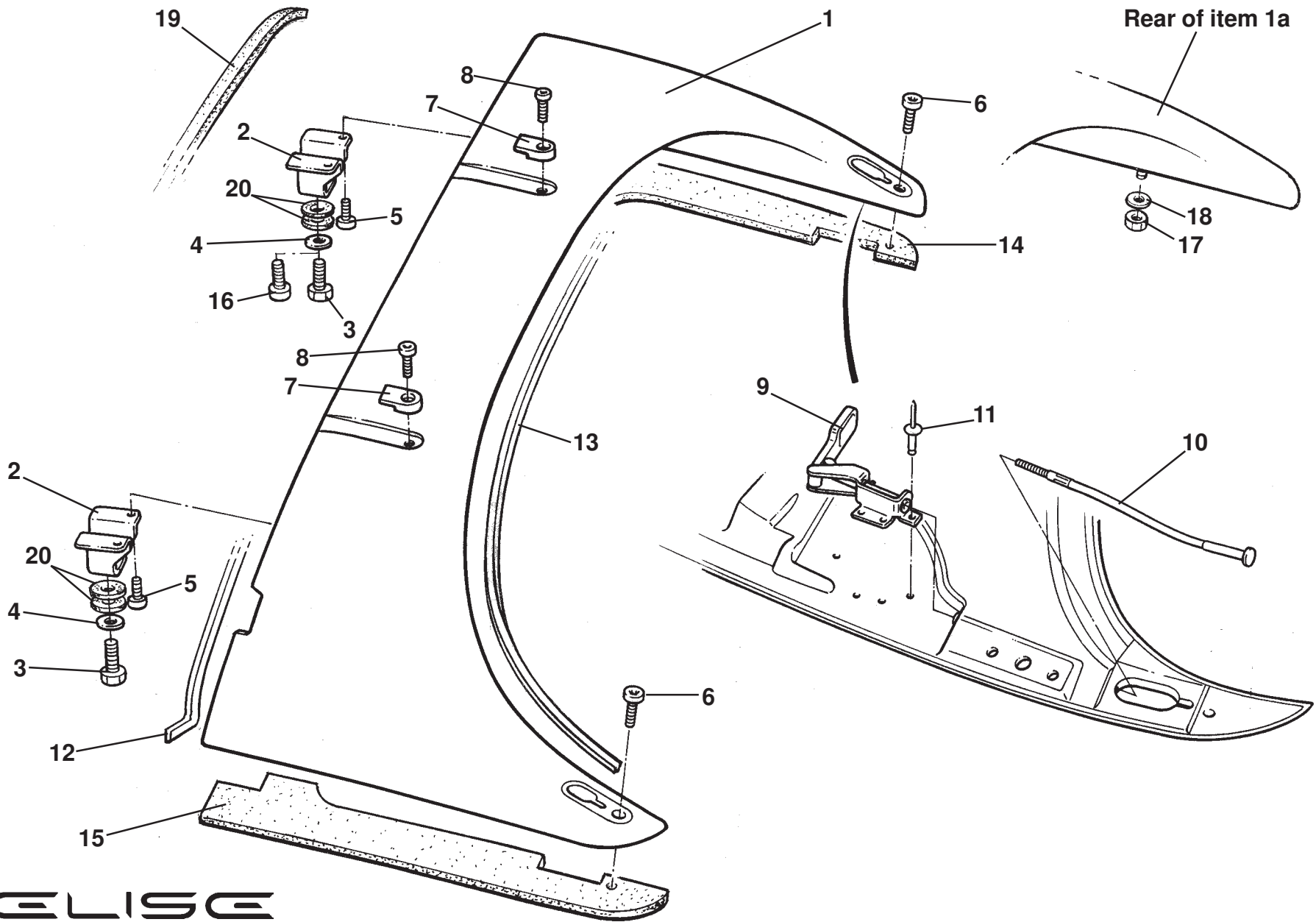
Function Code 10.17 Door Latch Mechanism

<u>Dep</u>	<u>Part Description</u>	<u>Remarks</u>	<u>Option</u>	<u>Part Number</u>	<u>Qty</u>
32a	Bracket, door beam attachment, RH			A111U0068F	1
32b	Bracket, door beam attachment, LH		'04 MY	B116B0179F	1
32c	Bracket, door beam attachment, RH		'04 MY	B116B0180F	1
33	Spindle/Lever, door latch release, LH			C111U0121F	1
33a	Spindle/Lever, door latch release, RH			C111U0120F	1
33b	Spindle/Lever, door latch release, LH		'04 MY	A116U0035F	1
33c	Spindle/Lever, door latch release, RH		'04 MY	A116U0036F	1
34	Rod, latch to release button			A117U0003F	2
35	Bush, lever/spindle assy.			A111U6018F	4
36	Door Pull, exterior, LH			C117B0135F	1
36a	Door Pull, exterior, RH			C117B0136F	1
37	Screw, M4 x 16, csk, cap hd., exterior door pull fix.	Black dacromet finish	A100W5160F R/B	A117W7208F	4
38	Blank Key, with keyhole Light	(D-code) For item 1. Replaces old Meta key/remote	Up to VINs * see below	A117H0022F	2
38a	Blank Key, without light	(L-code) For item 1a	From VINs * see below	A120H6002S	2
39	Actuator, central door locking	If unavailable fit items 39a, 39b, 41a and refer to TSB 2015/08	'04 MY up to vin Vin FH_11653	B116M6039F	2
39a	Actuator, central door locking		From vin Vin FH_11653	A138M0087F	2
39b	Actuator Fly Lead		From vin Vin FH_11653	A138M0097F	2
40	Screw, No.8 x 3/4" flg. hd. pozi. CDL Actuator to door	Black finish	'04 MY	A075W5074Z	4
41	Rod, CDL to sill button		'04 MY	A117U0329F	2

Function Code 10.17 Door Latch Mechanism

<u>Dep</u>	<u>Part Description</u>	<u>Remarks</u>	<u>Option</u>	<u>Part Number</u>	<u>Qty</u>
41a	Rod, CDL to sill button		From vin Vin FH_11653	A120U0240F	2
42	Grommet, button through sill		'04 MY	X036L6004Z	2
43	Button, door locking		'04 MY	A117U0330F	2
44	Cover, door latch, LH	Latch security	'04 MY	A117U0425F	1
44a	Cover, door latch, RH	Latch security	'04 MY	A117U0426F	1
45	Screw, No. 8 x 3/4", flg. hd. pozi., cover to door		'04 MY	A075W5074Z	6
46	Spirenut, No. 8, cover to door		'04 MY	A075W6016Z	6
47	Washer, top hat, latch to door	Bonded to door, outer fixings only	'04 MY	A117W4192K	2
48	Cover, door release rod, LH		'04 MY	A117U0321F	1
48a	Cover, door release rod, RH		'04 MY	A117U0320F	1
49	Clip, release rod to cover		'04 MY	A082W6457F	6
50	Bracket, door pull cover		'04 MY	B117U0324F	2
51	Washer, ABS, reflector to door			A116B0978K	2
52	Nut M5			A100W3113F	4
53	Washer M5			A075W4011Z	4
54	Sleeve, door release button			A117H6005S	2
55	Rivet, door release lever pivot			A117H6006S	4
56	Lock Lubricant	Not illustrated		A117U6019S	25ml

*Elise 5 3437; Exige 5 3347; Elise fed. 5 3436, For full information on all Lotus Security Systems, see LSL483g



ELISE
10.20

Updated 15th April 2011

Service Parts List **ELISE**



Function Code 10.20 Rear Window Shroud & Fixings

<u>Dep</u>	<u>Part Description</u>	<u>Remarks</u>	<u>Option</u>	<u>Part Number</u>	<u>Qty</u>
01	Rear Window Shroud Assembly	With soft top tensioning	Long soft top	B117B0088F	1
01a	Rear Window Shroud Assembly, hard top interfacing	Without soft top tensioning	Primed, hard top/short soft top	B117B0445K	1
01b	Rear Window Shroud Assembly, hard top interfacing	Without soft top tensioning, part of hard top kit, see 12.04	Painted, hard top/short soft top	A117B0497S	1
02	Bracket, shroud to bulkhead		A117B0091F R/B	B117B0091F	2
03	Screw, 0.5" UNF x 1.5", hex. hd., bracket to bulkhead	Early cars only	'A' level bracket	A075W1020Z	2
04	Washer, flat, M6 x 18 x 1, bracket to bulkhead			B082W4018F	2
05	Screw, M4 x 8, pan hd. pozi., bracket to shroud			A100W5137F	4
06	Screw, M6 x 25, cap hd., shroud to clamshell		Long soft top	A111W7170F	2
06a	Captive Nut, M6, shroud to clamshell	Not illus., bonded inside clamshell	Long soft top	A117B0093F	2
07	Keeper Plate, rear of hood stays		Long soft top	A117B0084F	2
08	Screw, M4 x 10, cap hd., keeper to shroud		Long soft top	A117B0312H	2
09	Tensioner Assembly, soft top tail, RH		Long soft top	C117B0206H	1
09a	Tensioner Assembly, soft top tail, LH		Long soft top	C117B0205H	1
10	Tensioner Cable		Long soft top	C117B0249F	2
11	Pop Rivet, lever assy. to shroud		Long soft top	A075W6070Z	6
12	Edge Finisher, front edge of shroud, smooth	Cut to fit, item 1 only	Early long soft top cars	A111U6034V	As req.
13	Edge Finisher, rear edge of shroud, textured	Cut to fit, also on front edge/'B' posts, later cars	Long soft top cars	A117B6010V	As req.

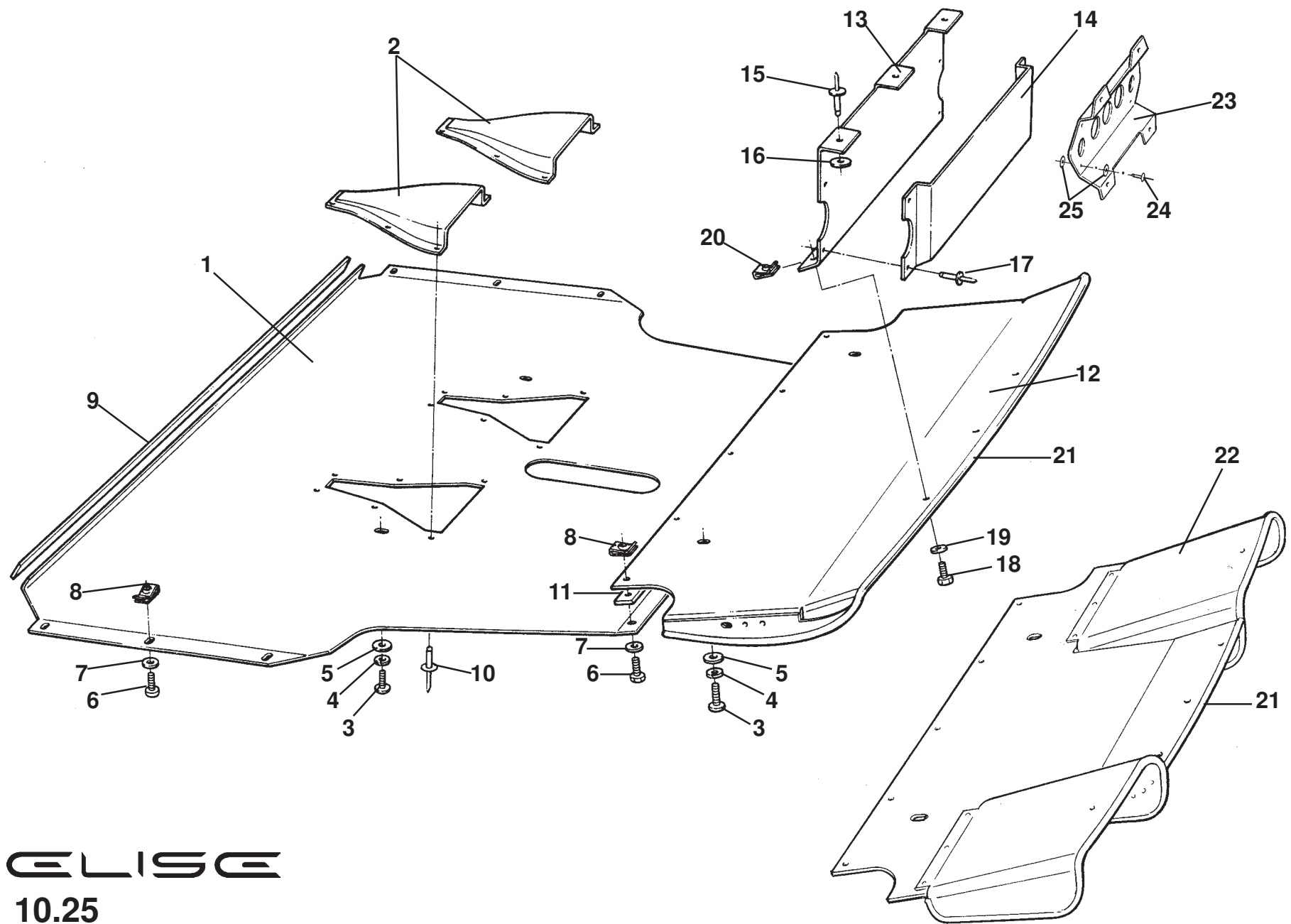
ELISE

Function Code: 10.20, Page: 1

Updated 30th July 2018

Function Code 10.20 Rear Window Shroud & Fixings

<u>Dep</u>	<u>Part Description</u>	<u>Remarks</u>	<u>Option</u>	<u>Part Number</u>	<u>Qty</u>
14	Foam Gasket, RH, shroud to clamshell		Long soft top cars	A117B0400F	1
14a	Foam Gasket, RH, shroud to clamshell		Short soft top cars	A117B0484F	1
15	Foam Gasket, LH, shroud to clamshell		Long soft top cars	A117B0092F	1
15a	Foam Gasket, LH, shroud to clamshell		Short soft top cars	A117B0485F	1
16	Screw, M6 x 25, cap hd., bracket to bulkhead		'B' level bracket	A111W7170F	2
17	Nut, M5, rear shroud to clamshell	Used with item 1a	Hard top/short soft top	A075W3008Z	2
18	Washer, flat, M6 x 18 x 1, rear shroud to clamshell	Used with item 1a	Hard top/short soft top	B082W4018F	2
19	Foam Strip, self adhesive, shroud to bulkhead	Used with item 1a, on bulkhead	Hard top/short soft top	A082U6065F	1.2M
20	Spacer Washer, neoprene, shroud to bulkhead	Used with item 1a, on bulkhead	Hard top/short soft top	A111U6055F	4



ELISE

10.25

Updated 15th April 2011

Function Code 10.25 Undertray & Diffuser

<u>Dep</u>	<u>Part Description</u>	<u>Remarks</u>	<u>Option</u>	<u>Part Number</u>	<u>Qty</u>
01	Undertray, silver anodised	Without NACA ducts		B117A0036F	1
01a	Undertray, black anodised	Without NACA ducts		A117A0175F	1
01b	Undertray Assembly, silver anodised	With NACA ducts		A117A0056J	1
01c	Undertray Assembly, black anodised	With NACA ducts		A117A0176J	1
02	NACA Duct	Part of item 1b/c		A111A0218K	2
03	Screw, M8 x 25, button hd.			A111W7175F	4
04	Washer, spring, M8			A075W4036Z	4
05	Washer, flat, M8 x 25 x 1.4			A075W4021Z	4
06	Screw, M5 x 16, hex. hd.			A111W1163F	11
07	Washer, flat, M5 x 25 x 1.4			A082W4098F	11
08	Spire Nut, M5			B100W6372F	11
09	Foam Strip, self adhesive, 10mm x 6mm			A100B0431V	As req.
10	Pop Rivet, NACA duct fix.			A075W6065Z	12
11	Foam Strip, self adhesive, 19mm x 3mm			A082U6067F	3
12	Diffuser, single element, silver anodised		Standard car	A117A0102J	1
13	Support Plate, diffuser		Standard car	B117B0270K	1
13a	Support plate, diffuser, three element	Used with item 14a	111/111S A117A0142F R/B	B117A0142F	1
14	Panel, licence plate mounting		Standard car	B117B0271K	1
14a	Panel, licence plate mounting, rectangular plate	Fits support plate, item13a	111/111S A117B0143F R/B	B117A0143F	1
14b	Panel, licence plate mounting, square plate	Fits support plate, item13a	111/111S, Japan*	A117A0166F	1
15	Pop Rivet, plate to clamshell			A089W6297F	3

ELISE

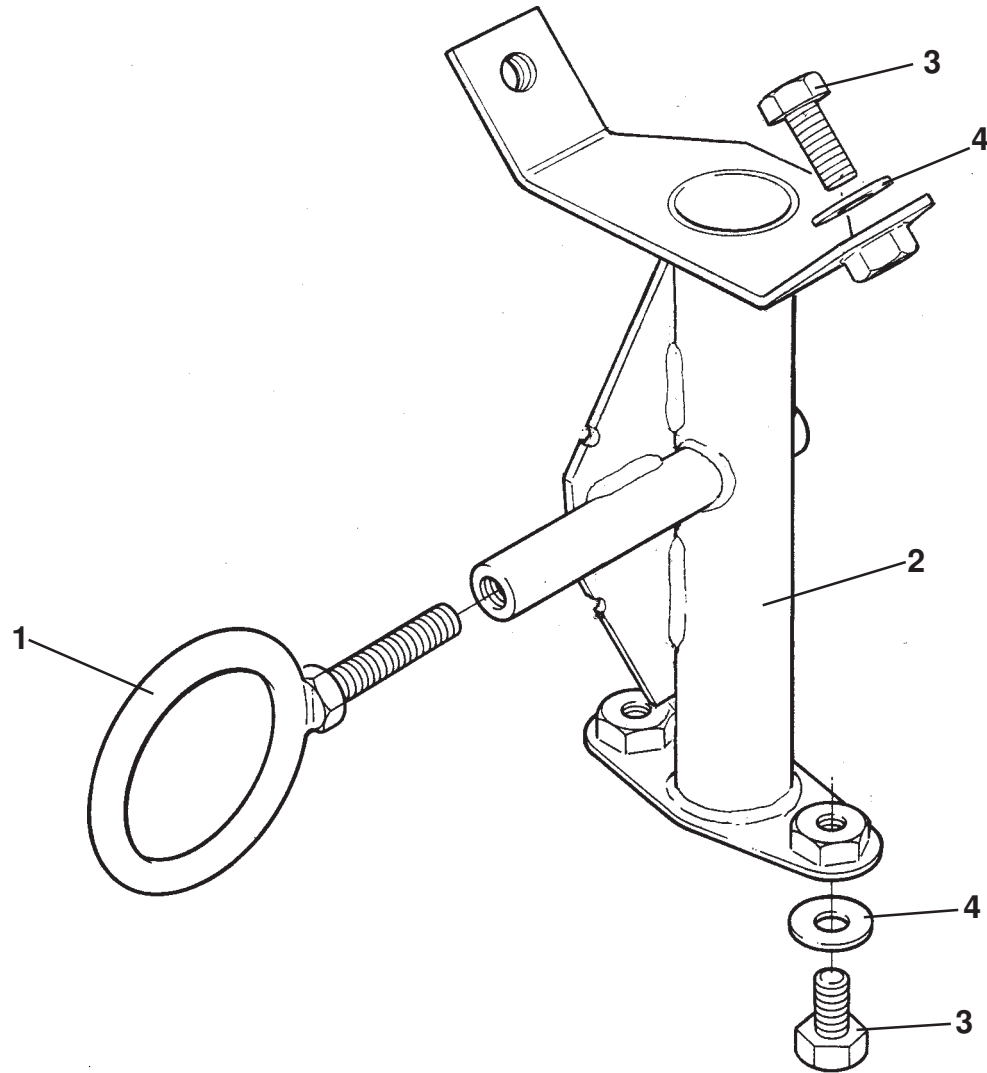
Function Code: 10.25, Page: 1

Updated 15th April 2011

Function Code 10.25 Undertray & Diffuser

<u>Dep</u>	<u>Part Description</u>	<u>Remarks</u>	<u>Option</u>	<u>Part Number</u>	<u>Qty</u>
16	Washer, flat, 3/16" x 0.75"			B075W4009Z	3
17	Pop Rivet, domed. black, licence plate panel to plate			A082W6512F	3
18	Screw, M5 x 16, hex. hd. SS, diffuser to plate			A111W1163F	3
19	Washer, flat, 3/16 x 0.75, SS			B075W4009Z	3
20	Spirenut, M5			B100W6372F	3
21	Edging Strip. diffuser			A117A0050V	As req.
21a	Edging Strip. Diffuser, black		111/111S Swiss Ltd Edition	A122A0029V	As req.
22	Diffuser, three element, silver anodised		111/111S, A117A0137J R/B	C117A0137J	1
22a	Diffuser, three element, black anodised		111/111S Swiss Ltd Edition	A117A0168J	1
23	Bracket, licence plate mounting, square plate	Fits panel, item 14	Standard car, Japan*	A117B0413F	1
24	Pop Rivet, 3/16", large flg., bracket to panel		Standard car, Japan	A089W6297F	4
25	Nylon Washer, thrust, bracket to panel		Standard car, Japan	A111J6016F	8

*For Japan front license plate mounting, see section 12.07

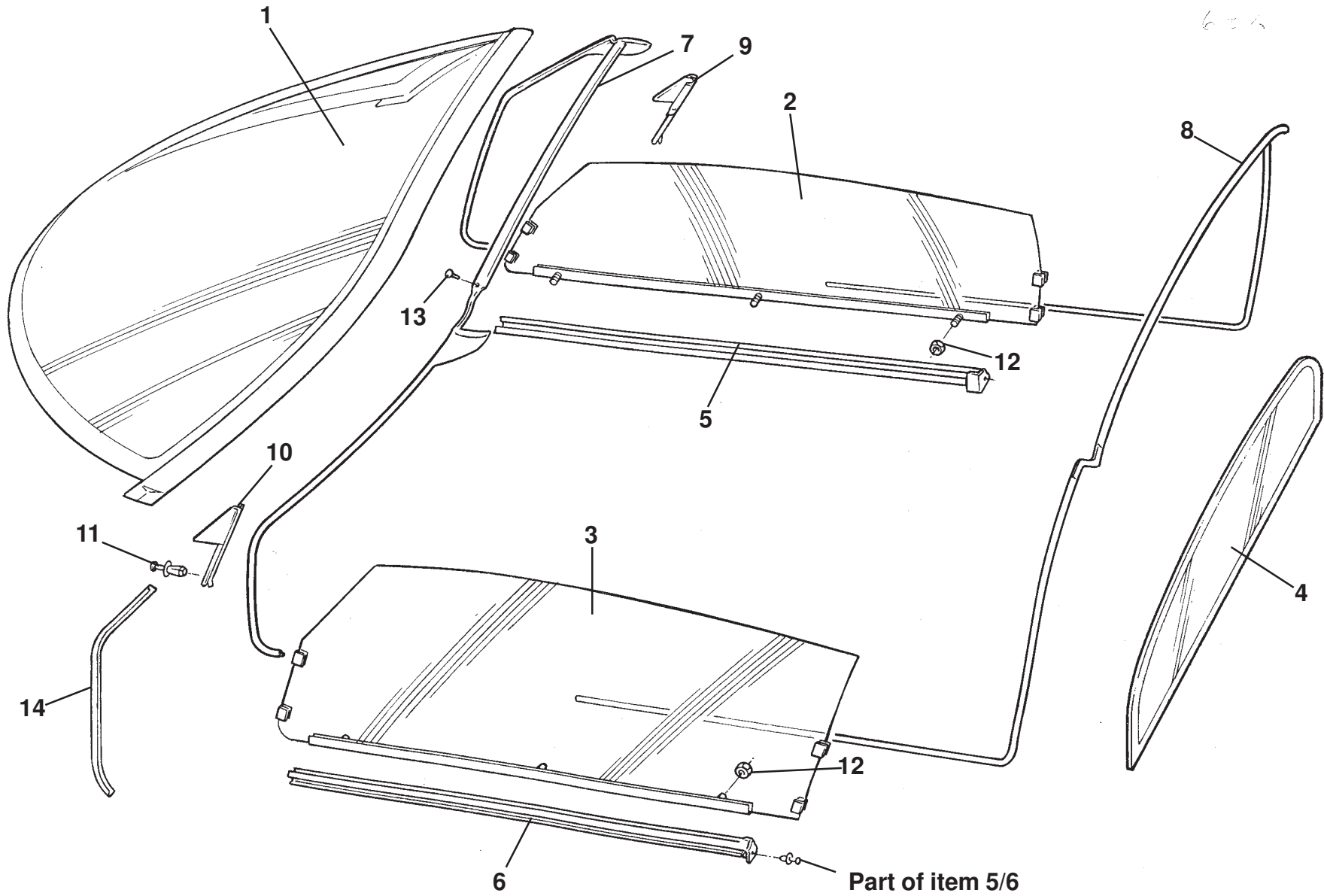


ELISE
10.31

Updated 15th April 2011

Function Code 10.31 Towing Strut/ Hook

<u>Dep</u>	<u>Part Description</u>	<u>Remarks</u>	<u>Option</u>	<u>Part Number</u>	<u>Qty</u>
01	Towing Eye	Stowed in tool kit		A111B0399F	1
02	Mounting Strut, towing eye		A117B0160F R/B	B117B0160F	1
03	Setscrew, M8 x 16, hex. Hd., grade 8.8 Zn			A075W1036Z	4
04	Washer, flat, M8 x 1.4 Zn			A075W4021Z	4

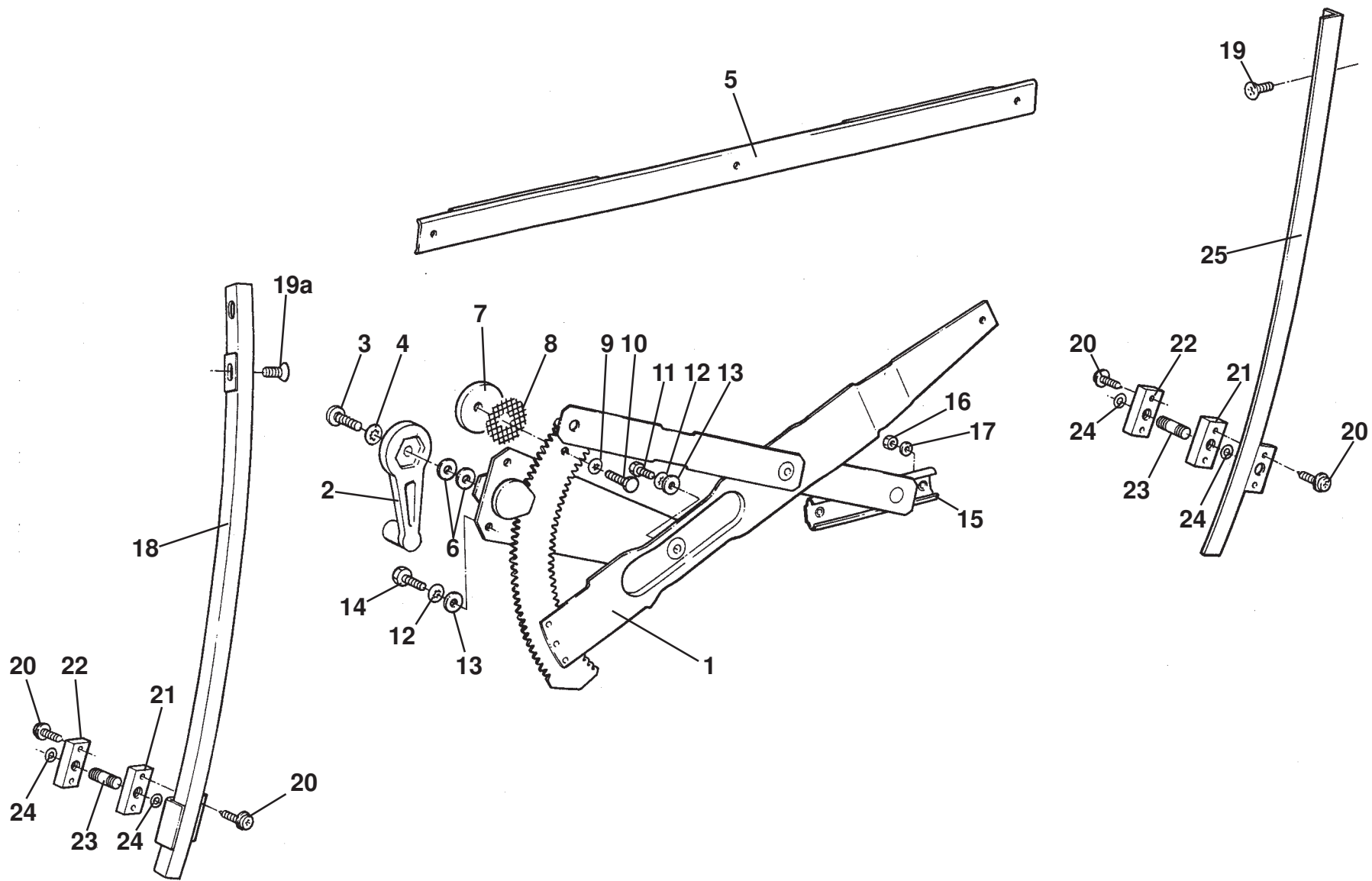


ELISE
11.01

Updated 1st August 2014

Function Code 11.01 Windscreen, Door Glass, Seals & Weather Strips

<u>Dep</u>	<u>Part Description</u>	<u>Remarks</u>	<u>Option</u>	<u>Part Number</u>	<u>Qty</u>
01	Windscreen & Finisher Assembly			A117B0094F	1
02	Door Glass Assembly, RH		B116B0186F R/B	F116B0186F	1
03	Door Glass Assembly, LH		B116B0185F R/B	F116B0185F	1
04	Rear Window, glass	Bonded to bulkhead		A117B0138F	1
05	Seal Assembly, door waist, RH	Includes plastic fastener	A117U0010F R/B	B117U0010F	1
06	Seal Assembly, door waist, LH	Includes plastic fastener	A117U0009F R/B	B117U0009F	1
07	Door Front/Roof Seal Assembly	With 'A' pillar drains		A116V0273F	1
07a	Door Front/Roof Seal Assembly	Without 'A' pillar drains		A117B0239F	1
08	Door Rear/Roof Seal Assembly	Fits under rear window shroud	Long soft top	A117B0201F	1
08a	Door/Roof Seal Assembly	Fits over rear window shroud	Hard top/short soft top	A116V0098F	1
09	Door Cheater Seal, RH	Joins to item 14	A117U0134F R/B	B117U0134F	1
10	Door Cheater Seal, LH	Joins to item 14	A117U0133F R/B	B117U0133F	1
11	Plastic Fastener, cheater seal fix.			A079W6195F	2
12	Nyloc Nut, M6, glass to lift channel			A907E6285F	6
13	Plastic Fastener, header seal fix.			A116W6722F	2
14	Secondary Door Seal, 600mm, front	Front inside face of door		A117U0429V	2



ELISE

11.02

Updated 15th April 2011

Service Parts List **ELISE**



Function Code 11.02 Door Window Lift Mechanism

<u>Dep</u>	<u>Part Description</u>	<u>Remarks</u>	<u>Option</u>	<u>Part Number</u>	<u>Qty</u>
01	Window Regulator, RH			C111U0082K	1
01a	Window Regulator, LH			C111U0083K	1
02	Window Winder Handle, alloy brushed/polished (2)	Includes fixings	Standard & Race Tech	B117U0057F	1 pr.
02a	Window Winder Handle, alloy polished	Includes fixings	Sports Tourer	A117U0220F	2
02b	Window Winder Handle, alloy brushed	Includes fixings	'04 MY	A117U0442F	2
03	Screw, M5 x 12, button. skt. hd., regulator handle fix,	Supplied with handle		A111W7138F	2
04	Washer, shakeproof, M5, regulator handle fix,	Supplied with handle		A075W4045Z	2
05	Glass Carrier Channel			B116U0130F	2
06	Spacer, window regulator handle			A082W4109F	4
07	Eccentric Stop		B111U0084F R/B	A116U0166F	2
08	Mesh Washer, eccentric stop		A111U0251F R/B	A116U0167K	1
09	Washer, shakeproof			A075W4046Z	2
10	Setscrew, eccentric stop fix.			A100W1055F	2
11	Setscrew, regulator fix			A075W1028Z	2
12	Washer, flat,,M6 x 20 x 2.5			A075W4016Z	6
13	Washer, flat, M6 x 25 x 1.4			A075W4017Z	6
14	Setscrew M6, regulator fix			A075W1027Z	4
15	Guide Channel, window regulator			A117U0285F	2

ELISE

Function Code: 11.02, Page: 1

Updated 1st December 2014

Function Code 11.02 Door Window Lift Mechanism

<u>Dep</u>	<u>Part Description</u>	<u>Remarks</u>	<u>Option</u>	<u>Part Number</u>	<u>Qty</u>
16	Nyloc Nut, M5, channel fix.			A100W3113F	4
17	Washer, flat, 3/16 x 0.5", channe rear fix.			A075W4000Z	2
17a	Washer, flat, 3/16 x 0.75", channel front fix.			A075W4009Z	2
18	Guide Rail, door glass, front, LH			C116U0007F	1
18a	Guide Rail, door glass, front, RH			C116U0006F	1
19	Screw, M5 x 12, csk. Pozi., rail to door rear			A100W5196F	2
19a	Screw, M5 x 12, csk. cap hd., rail to door front	Black dacromet finish	A100W5196F R/B	A117W7207F	2
20	Screw, No,8 x 0.75", flg. pozi, hd., block fixing			A075W5074Z	16
21	Adjuster Block, guide rail LH thread			A116U0020F	4
22	Adjuster Block, guide rail RH thread			A116U0021F	4
23	Stud, rail adjusting			A116U0022F	4
24	'O' Ring			A116U0023F	8
25	Guide Rail, door glass, rear, LH		C116U0005F R/B	D116U0005F	1
25a	Guide Rail, door glass, rear, RH		C116U0004F R/B	D116U0004F	1
26	Window Lift Mechanism, electric, LH		'04 MY option	B117U0389F	1
26a	Window Lift Mechanism, electric, RH		'04 MY option	B117U0390F	1
27	Studplate Adaptor, mechanism to glass		'04 MY option	B117U0391H	2
28	Screw, M6 x 20, hex. hd., mechanism to door		'04 MY option	A075W1030Z	6
29	Washer, flat, M6 x 15 x 1.5, mechanism to door		'04 MY option	A075W4015Z	10
30	Nyloc Nut, M6, thin, motor to door		'04 MY option	A907E6285F	4
31	Spacer, 4mm, lift channel to door		'04 MY option	A117W4194F	6

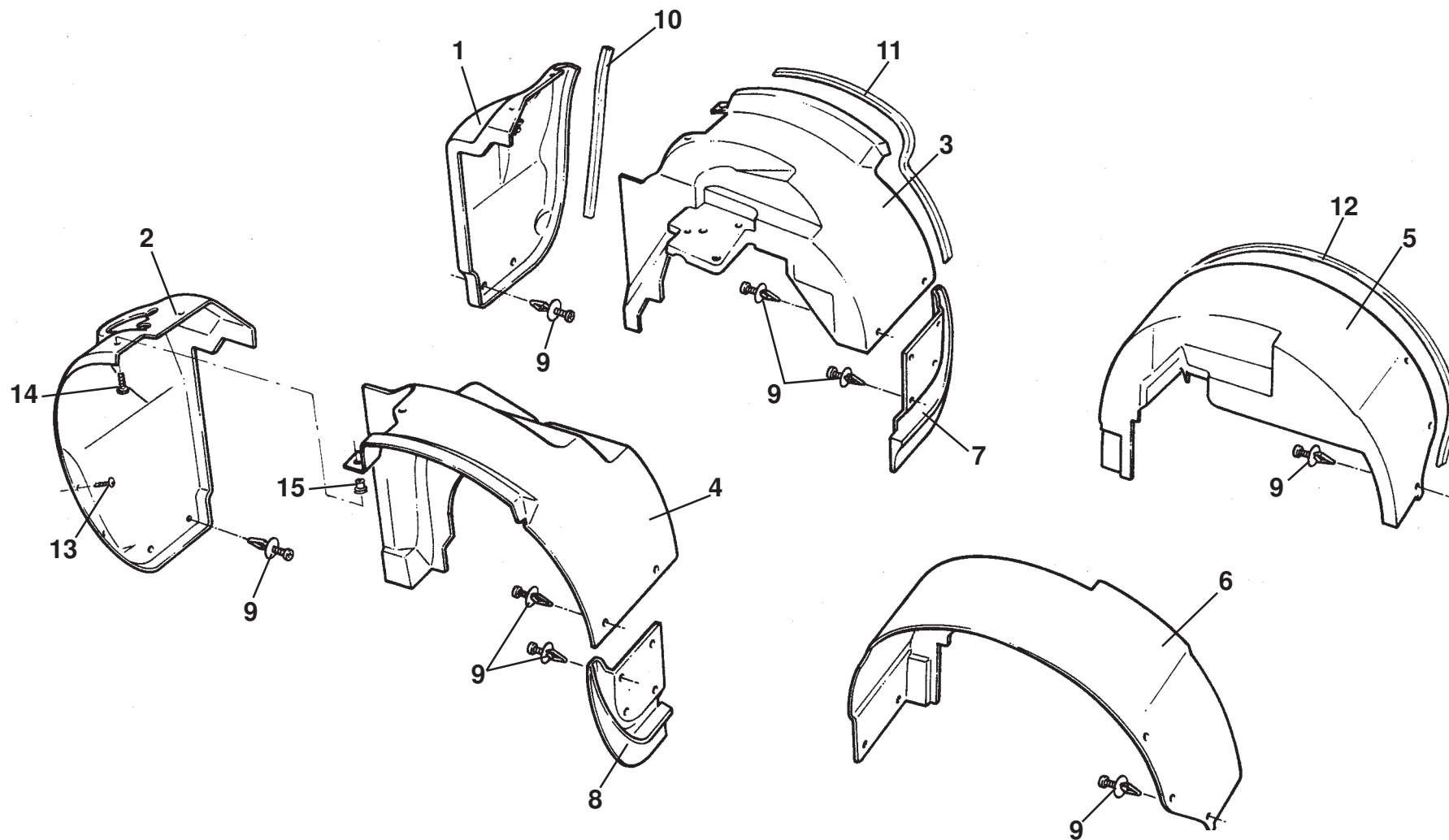
ELISE

Function Code: 11.02, Page: 2

Updated 1st December 2014

Function Code 11.02 Door Window Lift Mechanism

<u>Dep</u>	<u>Part Description</u>	<u>Remarks</u>	<u>Option</u>	<u>Part Number</u>	<u>Qty</u>
32	Nyloc Nut, M6, thin, studplate to mechanism		'04 MY option	A907E6285F	4
33	Washer, flat, M6 x 15 x 1.5, studplate to mechanism		'04 MY option	A075W4015Z	2
34	Downstop, door glass	Not illustrated, bonded to door	'04 MY option	A116B0314F	2
35	Tape, self adhesive, downstop to door	Not illustrated	'04 MY option	A100B6142V	0.25M



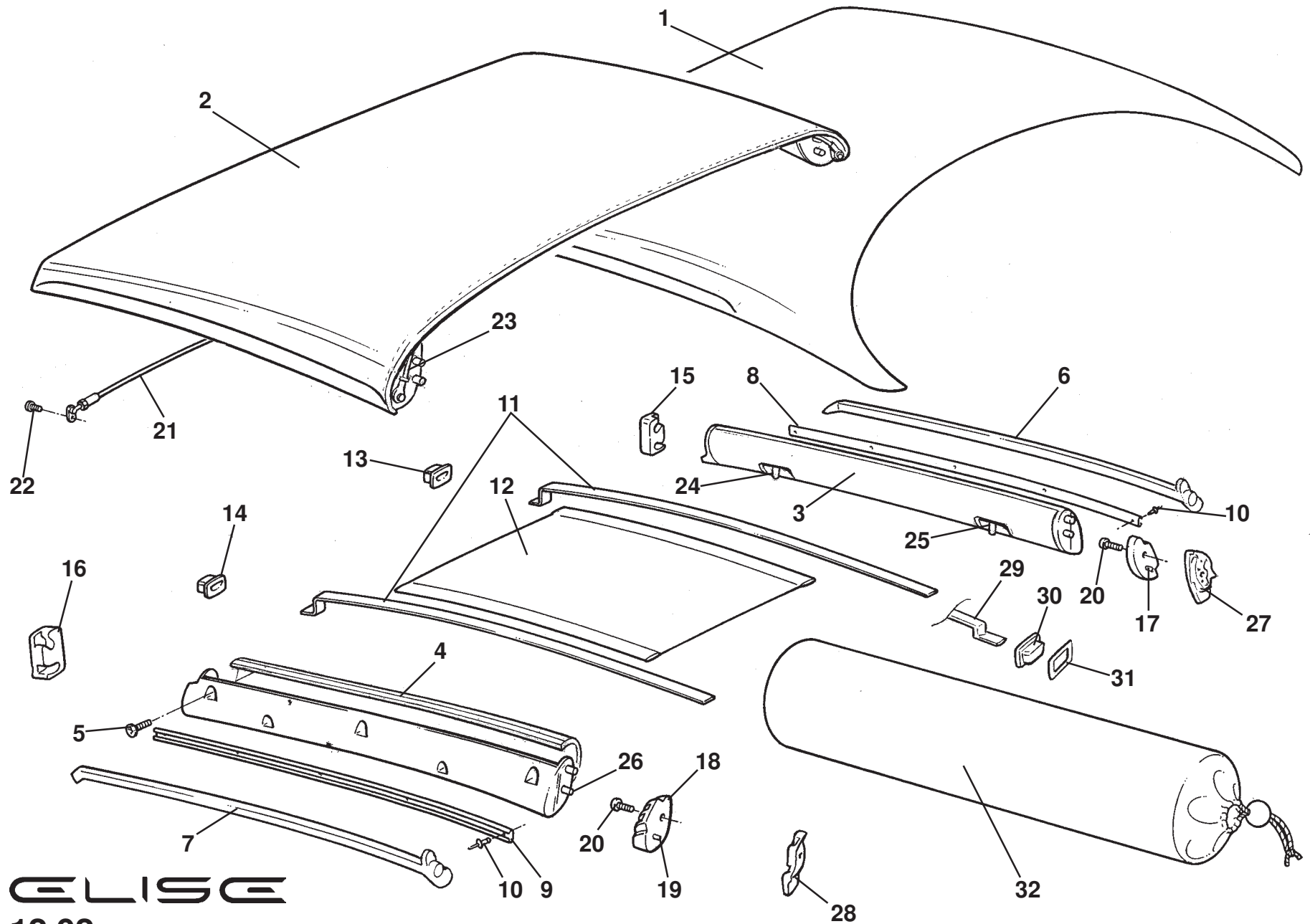
ELISE

12.01

Updated 15th April 2011

Function Code 12.01 Wheelarch Liners

<u>Dep</u>	<u>Part Description</u>	<u>Remarks</u>	<u>Option</u>	<u>Part Number</u>	<u>Qty</u>
01	Access Panel, front wheelarch, RH			B117B0190F	1
02	Access Panel, front wheelarch, LH			B117B0191F	1
03	Wheelarch Liner, front, RH		A117B0150F R/B	C117B0150F	1
04	Wheelarch Liner, front, LH		B117B0149F R/B	C117B0149F	1
05	Wheelarch Liner, rear, RH			A117B0148F	1
06	Wheelarch Liner, rear, LH			A117B0147F	1
07	Mudflap, front, RH		C117B0172F R/B	D117B0172F	1
08	Mudflap, front, LH		C117B0171F R/B	D117B0171F	1
09	Plastic Fastener, liners/mudflaps retention			A100W6391F	26
10	Weatherseal, front access panel	Cut to fit		A089U6055F	As req.
11	Weatherseal, front liner	Cut to fit		A089U6055F	As req.
12	Weatherseal, rear liner	Cut to fit		A089U6055F	As req.
13	Screw, No.8 x 0.5", flg. hd. pozi., S/T, acc. panel to clam.	Black finish		A117W5250F	4
14	Screw, M5 x 16, hex. hd., access panel to liner	Black finish		A111W1163F	4
15	Rawlnut, rubber, M5, access panel to liner			A075W6074F	4
16	Wheelarch Extension Lip, front		Sport 135R/111	A117B0559F	2



ELISE
12.02

Updated 15th April 2011

Service Parts List **ELISE**



Function Code 12.02 Soft Top Roof, Cant Rails, Roof Bows

<u>Dep</u>	<u>Part Description</u>	<u>Remarks</u>	<u>Option</u>	<u>Part Number</u>	<u>Qty</u>
01	Soft Top Roof Assembly, long	Includes cant rail assemblies, stays & diaphragm	Black	B117B0074F	1
01a	Soft Top Roof Assembly, long	Includes cant rail assemblies, stays & diaphragm	Blue	B117B0272F	1
01b	Soft Top Roof Assembly, long	Includes cant rail assemblies, stays & diaphragm	Red	B117B0274F	1
01c	Soft Top Roof Assembly, long	Includes cant rail assemblies, stays & diaphragm	Green	B117B0273F	1
02	Soft Top Roof Assembly, short	Compatible with hard top	Black, A117B0473F R/B	B117B0473F	1
02a	Soft Top Roof Assembly, short	Compatible with hard top	Blue, A117B0474F R/B	B117B0474F	1
02b	Soft Top Roof Assembly, short	Compatible with hard top	Red, A117B0475F R/B	B117B0475F	1
02c	Soft Top Roof Assembly, short	Compatible with hard top	Green, A117B0476F R/B	B117B0476F	1
02d	Soft Top Roof Assembly, NVH, short	Compatible with hard top	Black, '04 MY	A117B0532F	1
03	Trim Panel, cant rail, RH	5 screw fixings, through cant rail	Long soft top	B116V0004H	1
03a	Trim Panel, cant rail, RH	5 'fir tree' fixings on panel,	Short soft top	C116V0004H	1
04	Trim Panel, cant rail, LH	5 screw fixings, through cant rail	Long soft top	B116V0003H	1
04a	Trim Panel, cant rail, LH	5 'fir tree' fixings on panel,	Short soft top	C116V0003H	1
05	Screw, No. 12 x 0.5" trim panel to cant rail	For trim panels, items 3 & 4	Long soft top	A116V0083H	10
06	Weatherseal, RH		Short soft top	A116V0092H	1
06a	Weatherseal, RH	Not illus., extends to rear face	Long soft top	B117B0080H	1

ELISE

Function Code: 12.02, Page: 1

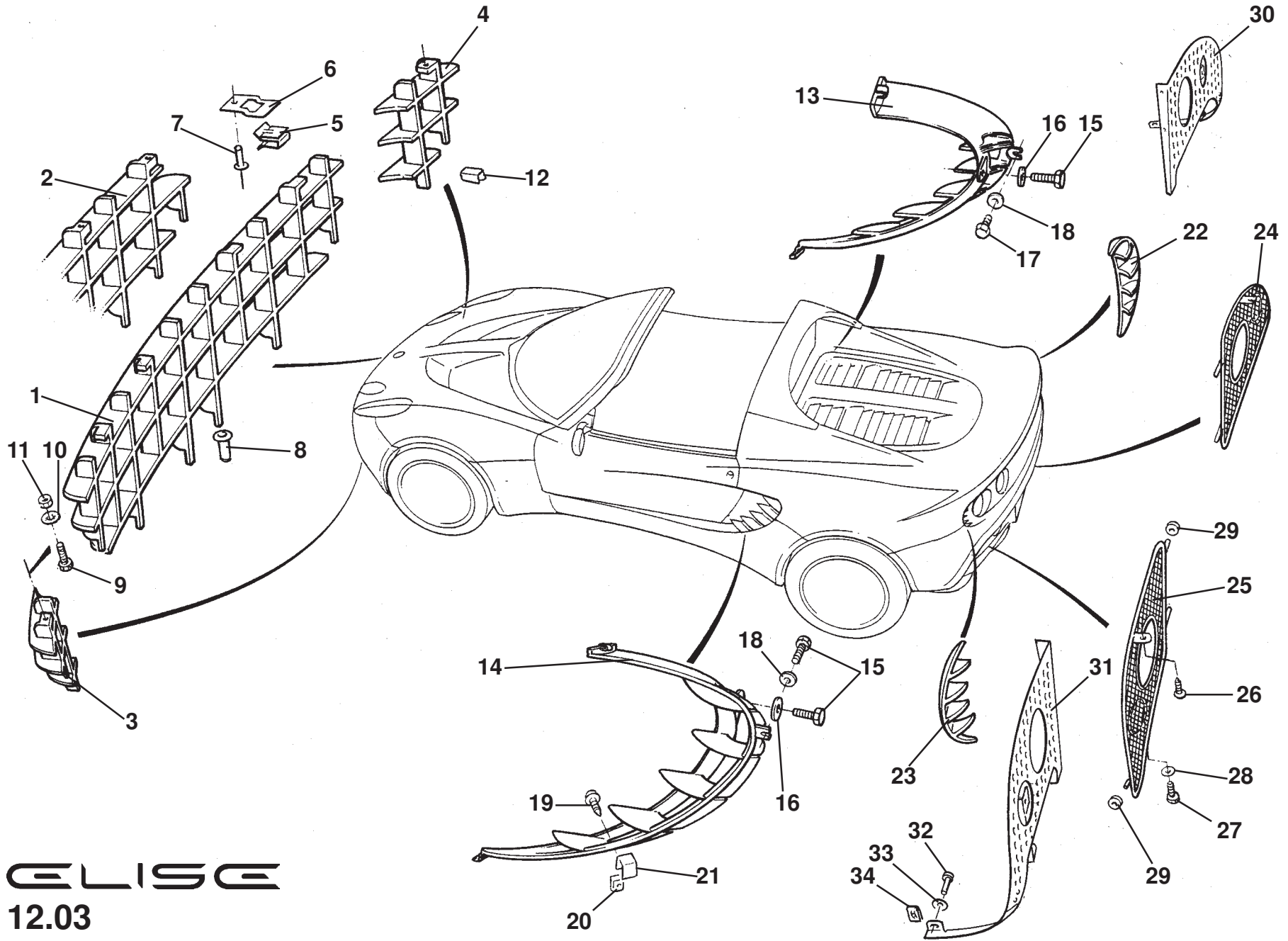
Updated 5th October 2012

Function Code 12.02 Soft Top Roof, Cant Rails, Roof Bows

<u>Dep</u>	<u>Part Description</u>	<u>Remarks</u>	<u>Option</u>	<u>Part Number</u>	<u>Qty</u>
07	Weatherseal, LH		Short soft top	A116V0091H	1
07a	Weatherseal, LH	Not illus., extends to rear face	Long soft top	B117B0079H	1
08	Seal Carrier, RH			B116V0088F	1
09	Seal Carrier, LH			B116V0089F	1
10	Pop Rivet, seal carrier to cant rail			A116V0090H	12
11	Stay, soft top supporting	Cranked at front end	Long soft top	B117B0081H	2
12	Diaphragm, soft top supporting	Not used with short soft top	Long soft top	A117B0309H	1
13	Pocket, stay to header rail, RH	Bonded to windscreen frame		A116B0184F	1
14	Pocket, stay to header rail, LH	Bonded to windscreen frame		A116B0183F	1
15	Latch Plate, front, RH	Bonded to windscreen frame		A116B0002F	1
16	Latch Plate, front, LH	Bonded to windscreen frame		A116B0001F	1
17	Latch Plate, rear, RH		Long soft soft top	A117B0212F	1
18	Latch Plate, rear, LH		Long soft soft top	A117B0213F	1
19	Dowel Pin, plate to roll-over bar			A116W6659F	2
20	Screw, M6 x 20, cap hd., black, latch plate to roll-over bar	For item 18	Long soft top	A082W7041F	2
20a	Screw, M6 x 16, cap hd., black, latch plate to roll-over bar	For item 28	Short soft top	A075W7017F	2
20b	Washer, wavy, 1/4", latch plate to roll-over bar	For item 28	Short soft top	A075W4087F	2
21	Cable, soft top tensioning		Common	B116V0064H	1
22	Screw, M4 x 10, c/sk, skt. hd., cables to soft to assy.			A111W7150F	4
23	Cable, soft top tensioning	Rear cable long soft top not serviceable	Short soft top	B116V0064H	1

Function Code 12.02 Soft Top Roof, Cant Rails, Roof Bows

<u>Dep</u>	<u>Part Description</u>	<u>Remarks</u>	<u>Option</u>	<u>Part Number</u>	<u>Qty</u>
24	Latch Assembly, front, RH			B117B0154H	1
24a	Latch Assembly, front, LH			B117B0155H	1
25	Latch Assembly, rear, RH			B117B0156H	1
25a	Latch Assembly, rear, LH			B117B0157H	1
26	End Cap, latching pin			A116V0150H	4
27	Latch Plate, with tongue, rear, RH	Also fixing for hard top	Short soft top	C116B0466F	1
28	Latch Plate, with tongue, rear, LH	Also fixing for hard top	Short soft top	C116B0467F	1
29	Stay, soft top supporting	Cranked at both ends	Short soft top	B116V0095H	2
30	Pocket, stay to rear window shroud		Short soft top	A116B0182F	2
31	Spacer, pocket to shroud		Short soft top	B117B0480K	2
32	Soft Top Stowage Bag		Common	A117B0086F	1
33	Soft Top Care Kit, hood cleaner & hood protector	Not illustrated	Common	A117U6021S	2 x 500ml



ELISE
12.03

Updated 15th April 2011

Function Code 12.03 Grilles and Louvres

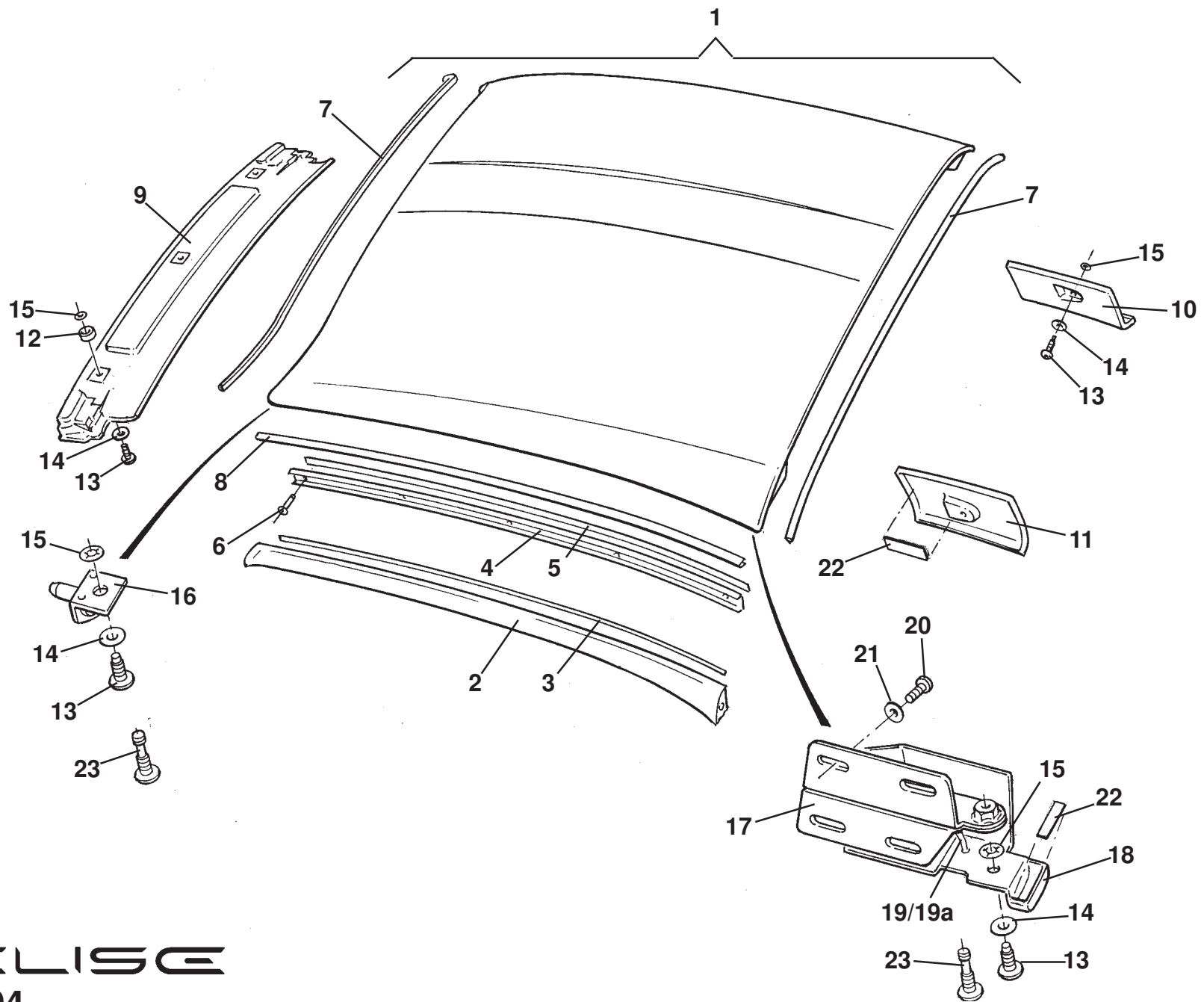
<u>Dep</u>	<u>Part Description</u>	<u>Remarks</u>	<u>Option</u>	<u>Part Number</u>	<u>Qty</u>
01	Grille, front intake, central, without driving lamps		Standard	F117B0114F	1
02	Grille, front intake, central, with driving lamps	For factory fitted lamps, 80mm wide lens*	Race Tech/Sports Tourer	B117B0317F	1
02a	Grille, front intake, central, with driving lamps	For dealer fitted lamps, 40mm dia. lens*	Race Tech	E117B0234F	1
03	Grille, front intake, LH			G117B0117F	1
03a	Seal, neoprene, grille to clamshell	Not illus., on front of lower spigot		B075U6054V	20mm
04	Grille, front intake, RH			G117B0118F	1
04a	Seal, neoprene, grille to clamshell	Not illus., on front of lower spigot		B075U6054V	20mm
05	Clip, central grille retention			A117B6003F	4
06	Bracket, clip to clamshell			A117B0328F	4
07	Pop Rivet, 3.2mm x 11mm, black, bracket to clamshell			A082W6512F	4
08	Receptacle, grille spigots to clamshell	Replaces grommet	X036B6010Z R/B	A117B6004F	4
09	Screw, ejot, M5 x 8, outer grilles to clamshell	Replaces items 10 & 11 also	A082W1088F R/B	A117W5268F	2
10	Washer, shakeproof, M5, outer grilles to clamshell	R/B ejot screw, item 9	A075W4045Z R/B	A117W5268F	2
11	Nut, M5, outer grilles to clamshell	R/B ejot screw, item 9	A082W3084F R/B	A117W5268F	2
12	Clip, outer grilles retention			C117B0235F	2
13	Grille, side intake, RH			E117B0126F	1
14	Grille, side intake, LH			E117B0125F	1
15	Screw, M6 x 16, hex. hd., side grille to clamshell			A075W1028Z	3
16	Washer, flat, M6 x 25, side grille to clamshell			B075W4017Z	2

Function Code 12.03 Grilles and Louvres

<u>Dep</u>	<u>Part Description</u>	<u>Remarks</u>	<u>Option</u>	<u>Part Number</u>	<u>Qty</u>
17	Screw, M6 x 12, hex. hd., RH side grille to clamshell			A075W1027Z	1
18	Washer, flat, M6 x 18, side grille to clamshell			B082W4018F	2
19	Screw, No.8 x 0.7, self tap., flg. hd., pozi., grille fix.			A075W5074Z	6
20	Spire Nut, No.8			A075W6016Z	6
21	Bracket, side grille mounting,	Bonded to sill panel		A117B0329F	2
22	Grille, rear transom, RH			C117B0134F	1
23	Grille, rear transom, LH			C117B0133F	1
24	Grille, rear body to diffuser, RH			A117B0268F	1
25	Grille, rear body to diffuser, LH			A117B0269F	1
26	Screw, M5 x 16, pan hd., pozi. upper grille to clamshell	Black finish		A082W5184F	2
27	Screw, M5 x 16, hex. hd. SS, lower grille to diffuser			A111W1163F	2
28	Washer, flat, 3/16" x 0.75", lower grille to diffuser			B075W4009Z	2
29	Grommet, grille spigots to clamshell			A082B6158F	6
30	Grille, perforated, rear body to diffuser, RH	Black finish, A117A0150F R/B	111/111S, Sport 135R	B117A0150F	1
30a	Grille, perforated, rear body to diffuser, aftermarket, RH	**Standard car with 111S diffuser/111S with Sports exhaust	Accessory, Sport 111	B117A0160F	1
31	Grille, perforated, rear body to diffuser, LH	Black finish, A117A0149F R/B	111/111S, Sport 135R	B117A0149F	1
31a	Grille, perforated, rear body to diffuser, aftermarket, LH	**Standard car with 111S diffuser/111S with Sports exhaust	Accessory, Sport 111	B117A0161F	1
32	Screw, M5 x 16, hex. hd. SS, Grille fixing		111/111S	A111W1163F	6
33	Washer, flat, 3/16" x 0.75", grille fixing		111/111S	B075W4009Z	6

Function Code 12.03 Grilles and Louvres

<u>Dep</u>	<u>Part Description</u>	<u>Remarks</u>	<u>Option</u>	<u>Part Number</u>	<u>Qty</u>
34	Spirenut, M5, grille fixing		111/111S	B100W6372F	6
		*See 17.11			
		**See 10.25, also Sport 111 dealer fit			



ELISE
12.04

Updated 2nd November 2015

Service Parts List **ELISE**



Function Code 12.04 Roof Panel, Seals & Fixings

<u>Dep</u>	<u>Part Description</u>	<u>Remarks</u>	<u>Option</u>	<u>Part Number</u>	<u>Qty</u>
01	Hard Top Roof Assembly Complete	Quote Lotus Paint Code with order*	Painted, trimmed	A117B0665J	1
01a	Hard Top Roof Retro-fit Kit	Includes short soft top, rear window shroud, seals & fixings	Painted, long soft top cars	A117B0496S	1
02	Seal, hard top to side glass, LH			A116V0249F	1
02a	Seal, hard top to side glass, RH			A116V0248F	1
03	Double Sided Tape, 5mm, seal to carrier	Cut to fit		A117B0362V	As req.
04	Seal Carrier, LH			A116V0241F	1
04a	Seal Carrier, RH			A116V0240F	1
05	Double Sided Tape, 12mm, carrier to hard top	Cut to fit, 2 strips per side		C075U6071V	As req.
06	Pop Rivet, seal carrier to hard top			A116W6707F	12
07	Seal, 'D' section, self adhesive, hard top front & rear			A117U6007F	2
08	Edging Strip, hard top sides			A111U6034V	2
09	Trim/Clamp Panel, front, hard top to screen header		Un-trimmed hard top	C116V0233F	1
09a	Trim/Clamp Panel, front, hard top to screen header, trimmed		Trimmed hard top	A116B1078J	1
10	Trim Panel, bracket rear RH covering	Screw fixing	Un-trimmed hard top	C116V0232F	1
10a	Trim Panel, bracket rear RH covering	Velcro fixing	Un-trimmed hard top	C116V0166K	1
10b	Trim Panel, bracket rear RH covering, trimmed	Velcro fixing	Trimmed hard top	F116B0470J	1
11	Trim Panel, bracket rear LH covering	Screw fixing	Un-trimmed hard top	C116V0231F	1

ELISE

Function Code: 12.04, Page: 1

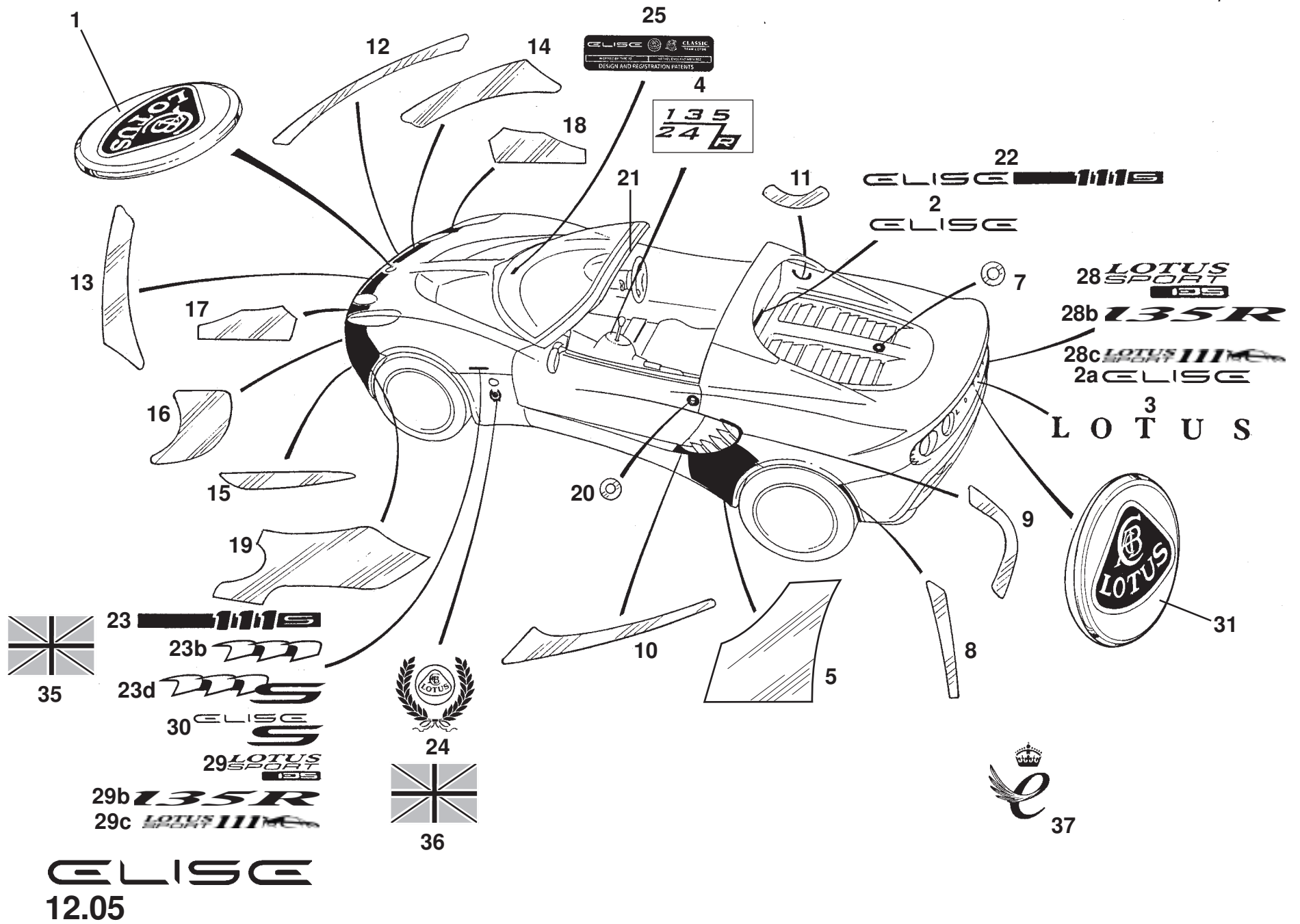
Updated 1st November 2016

Function Code 12.04 Roof Panel, Seals & Fixings

<u>Dep</u>	<u>Part Description</u>	<u>Remarks</u>	<u>Option</u>	<u>Part Number</u>	<u>Qty</u>
11a	Trim Panel, bracket rear LH covering	Velcro fixing	Un-trimmed hard top	C116V0165K	1
11b	Trim Panel, bracket rear LH covering, trimmed	Velcro fixing	Trimmed hard top	F116B0469J	1
12	Spacer, plastic, panel to header			B116V0221F	3
13	Screw, M8 x 20, button hd. torx, front clamp/covers fixing	Black finish, 5 off if item 23 used		A116W5258F	9
14	Washer, flat, M8 x 21 x 1.6, clamps & covers fixing	Black finish		A111W4159F	9
15	Retainer, nylon, screw to clamps & covers	Not used with bolt item 23		A116W4189F	9
16	Pin Clamp, hard top front			B116V0173J	2
17	Bracket Assembly, clamp to hard top rear LH			B116V0177F	1
17a	Bracket Assembly, clamp to hard top rear RH			B116V0178F	1
18	Hook Clamp, hard top rear, LH		C116V0179J R/B	D116V0179J	1
18a	Hook Clamp, hard top rear, RH		C116V0180J R/B	D116V0180J	1
19	Teather, bracket to clamp	Not used with bolt item 23		B116V0235F	2
19a	Barrel, teather to bracket/clamp	Crimped to teather		B116V0237F	4
20	Screw, M6 x 16, pan hd. torx, rear brackets to hard top	Black finish		A116W5260F	8
21	Washer, flat, M6 x 12 x 1.5, rear brackets to hard top	Black finish		B100W4127F	8
22	Foam Tape, self adhesive, anti-rattle	Cut to fit		A036B6221V	0.12M
23	Clunk Bolt, M8, torx, hardtop fix.	Black finish, replaces items 19, 19a		A116B1075F	4
24	Tool, torx screws fixing (M6 & M8)	Not illus.part of hard top kit		B116V6001F	1
25	Tool Bag, tool retaining	Not illustrated		B116V0028F	1
26	Hard Top Stowage Bag	Not illustrated		A116V0228F	1

Function Code 12.04 Roof Panel, Seals & Fixings

<u>Dep</u>	<u>Part Description</u>	<u>Remarks</u>	<u>Option</u>	<u>Part Number</u>	<u>Qty</u>
		*Use Hardtop order form located on the dealer portal			



Updated 15th April 2011

Service Parts List **ELISE**



Function Code 12.05 Decals, Badges & Protective Film

<u>Dep</u>	<u>Part Description</u>	<u>Remarks</u>	<u>Option</u>	<u>Part Number</u>	<u>Qty</u>
01	Nose Badge, Lotus logo, self adhesive		All cars	A117U0170F	1
02	Decal, Elise	On rear glass	All cars, prior to '04 MY	A117U0192F	1
02a	Decal, Elise, silver	On rear transom	'04 MY	A117B0512F	1
02b	Decal, Elise, graphite	On rear transom	'04 MY	A117B0518F	1
03	Decal, L O T U S, 'chrome'	On rear transom	All cars, prior to '04 MY	A117U0193F	1
03a	Decal, L O T U S, blue	On rear transom	Type '99T'	A117B0669F	1
04	Decal, gearshift pattern	Gear lever cover or tunnel front ('04 MY on)	All cars	A117U0286F	1
05	Film, sill protection, LH		All cars, A117B0301F R/B	B117B0301F	1
05a	Film, sill protection, RH		All cars, A117B0302F R/B	B117B0302F	1
05b	Film, sill protection, black, LH		Type '99T'	A117B0509F	1
05c	Film, sill protection, black, RH		Type '99T'	A117B0508F	1
06	Film Kit, additional protection	Comprises items 07 & 11 to 20	Accessory	LOTAC05147	1
07	Film, engine cover lock surround protection	Part of kit	Accessory	A117B0305F	1
08	Film, rear wheelarch protection, LH	Not in kit	Accessory	A117B0365F	1
08a	Film, rear wheelarch protection, RH	Not in kit	Accessory	A117B0366F	1
09	Film, side intake upper, LH	Not in kit, R/B edge finisher*	Accessory	A117B0363F	1
09a	Film, side intake upper, RH	Not in kit, R/B edge finisher*	Accessory	A117B0364F	1
10	Film, side intake, lower, LH	Not in kit, R/B edge finisher*	Accessory	A117B0303F	1

ELISE

Function Code: 12.05, Page: 1

Updated 2nd February 2015

Function Code 12.05 Decals, Badges & Protective Film

<u>Dep</u>	<u>Part Description</u>	<u>Remarks</u>	<u>Option</u>	<u>Part Number</u>	<u>Qty</u>
10a	Film, side intake, lower, RH	Not in kit, R/B edge finisher*	Accessory	A117B0304F	1
11	Film, filler neck surround protection	Part of kit	Accessory	A117B0345F	1
12	Film, nose badge panel, centre	Part of kit	Accessory	A117B0346F	1
13	Film, nose badge panel, LH	Part of kit	Accessory	A117B0347F	1
14	Film, nose badge panel, RH	Part of kit	Accessory	A117B0348F	1
15	Film, chin spoiler protection, LH	Part of kit	Accessory	A117B0349F	1
15a	Film, chin spoiler protection, RH	Part of kit	Accessory	A117B0350F	1
16	Film, front intake protection, LH	Part of kit	Accessory	A117B0351F	1
16a	Film, front intake protection, RH	Part of kit	Accessory	A117B0352F	1
17	Film, front lamps/nose panel protection, LH	Part of kit, between lamps	Accessory	A117B0353F	1
18	Film, front lamps/nose panel protection, RH	Part of kit, between lamps	Accessory	A117B0354F	1
19	Film, chin panel protection, LH	Part of kit	Accessory	A117B0355F	1
19a	Film, chin panel protection, RH	Part of kit	Accessory	A117B0356F	1
20	Film, door lock surround protection	Part of kit	Accessory	A117B0357F	2
21	Film, blackout, header rail protection			A116B0319F	1
22	Decal, Elise 111S, rear	On rear glass	111S, prior to '04 MY	A117B0486F	1
23	Decal, 111S, silver, sides	Above side repeater lamp	111S, prior to '04 MY	A117B0467F	2
23a	Decal, 111S, graphite, sides	Above side repeater lamp	111S, prior to '04 MY	A117B0468F	2
23b	Decal, 111, silver, sides	Above side repeater lamp	111, '04 MY	A117B0510F	2
23c	Decal, 111, graphite, sides	Above side repeater lamp	111, '04 MY	A117B0516F	2
23d	Decal, 111S, silver, sides	Above side repeater lamp	111S, '04 MY	A117B0511F	2

ELISE

Function Code: 12.05, Page: 2

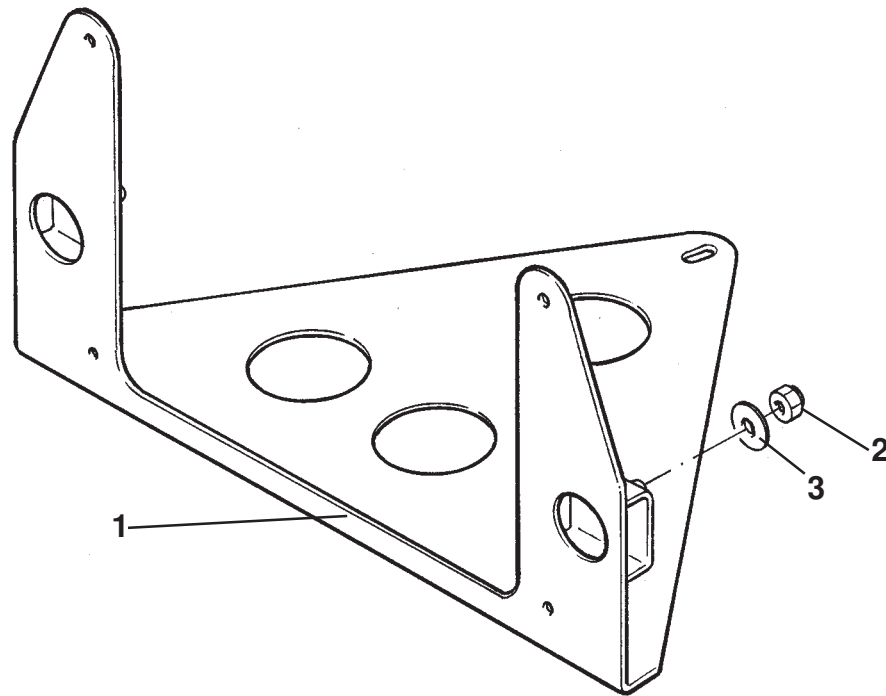
Updated 2nd February 2015

Function Code 12.05 Decals, Badges & Protective Film

<u>Dep</u>	<u>Part Description</u>	<u>Remarks</u>	<u>Option</u>	<u>Part Number</u>	<u>Qty</u>
23e	Decal, 111S, graphite, sides	Above side repeater lamp	111S, '04 MY	A117B0517F	2
24	Decal. heritage laurel, gold	On front quarter panels	'Type 72, 49'	A117B0471F	2
24a	Decal. heritage laurel, yellow	On front quarter panels	'Type 25'	A117B0490F	2
24b	Decal. heritage laurel, green	On front quarter panels	'Type 23'	A117B0489F	2
24c	Decal. heritage laurel, blue	On front quarter panels	'Type 99T'	A117B0668F	2
25	Decal Plate, 'Type 72'	On fascia top	'Type 72'	B117B0472F	1
25a	Decal Plate, 'Type 49'	On fascia top	'Type 49'	B117B0482F	1
25b	Decal Plate, 'Type 23'	On fascia top	'Type 23'	B117B0487F	1
25c	Decal Plate, 'Type 25'	On fascia top	'Type 25'	B117B0488F	1
25d	Decal Plate, 'Type 99T'	On fascia top	'Type 99T'	A117B0662F	1
26	Decal Set, Sport 135, graphite	Not illustrated, comprises items 28, 29, 30	Sport 135	A117B0450F	1
27	Decal Set, Sport 135, silver	Not illustrated, comprises items 28a, 29a, 30	Sport 135	A117B0449F	1
28	Decal, Sport 135, graphite, rear transom		Sport 135	A117B0452F	1
28a	Decal, Sport 135, silver, rear transom		Sport 135	A117B0451F	1
28b	Decal, Lotus Sport 135R, black, rear transom		Sport 135R, Silver Mica, yellow	ALS2U0023F	1
28c	Decal, Lotus Sport 135R, silver, rear transom		Sport 135R, Blue Mica	ALS2U0038F	1
28c	Decal, Lotus Sport 111, yellow, rear transom		Sport 111	ALS2U0039F	1
29	Decal, Sport 135, graphite, sides	Above side repeater lamp	Sport 135	A117B0454F	2
29a	Decal, Sport 135, silver, sides	Above side repeater lamp	Sport 135	A117B0453F	2

Function Code 12.05 Decals, Badges & Protective Film

<u>Dep</u>	<u>Part Description</u>	<u>Remarks</u>	<u>Option</u>	<u>Part Number</u>	<u>Qty</u>
29b	Decal, Lotus Sport 135R, black, sides	Above side repeater lamp	Sport 135R, Silver Mica, Saffron Yellow	ALS2U0022F	2
29c	Decal, Lotus Sport 135R, silver, sides	Above side repeater lamp	Sport 135R, Blue Mica	ALS2U0037F	2
29c	Decal, Lotus Sport 111, yellow, sides	Above side repeater lamp	Sport 111	ALS2U0040F	2
30	Decal, Elise S, graphite	Above side repeater lamp	'Elise S', '04 MY	A117B0519F	2
30a	Decal, Elise S, silver	Above side repeater lamp	'Elise S', '04 MY	A117B0513F	2
31	Transom Badge, Lotus logo, self adhesive		'04 MY	B117U0346F	1
32	Decal Plate, Lotus Sport 135R serial number	Not illus., proof of ownership required	Sport 135R	ALS2A0002F	1
32a	Pop rivet, plate to chassis	Not illustrated	Sport 135R	A075W6065Z	4
33	Decal, Sport 135, silver, fascia	Not illustrated	Sport 135	A117B0455F	1
34	Gold Stripe, 25mm	Not illustrated	'Type 49'	A111U0499V	8M
35	Decal, Union Flag	Above side repeater lamp	Heritage cars	A111U0495F	2
36	Badge, Union Flag	Below side repeater lamp	Sport 111	A132U0995S	2
37	Decal. Jubilee (Queen's award)	On LH buttress	2002MY on	A117B0501F	1
38	Decal, fuel filler, blue	Not illustrated	Type '99T'	A117B0670F	1
39	Decal, hole covering	Not illustrated, part of hard top retro-fit kit, see 12.04	Retro-fit hard top cars	A116B0399F	2
40	Decal Set, Type 99T 'Camel' script	Not illustrated, 7 decals	Ltd. edition, Japan only	A117B0686S	1
41	Film, paint protection, bulk	Not illustrated, cut to fit		A100B2477V	As req.



ELISE

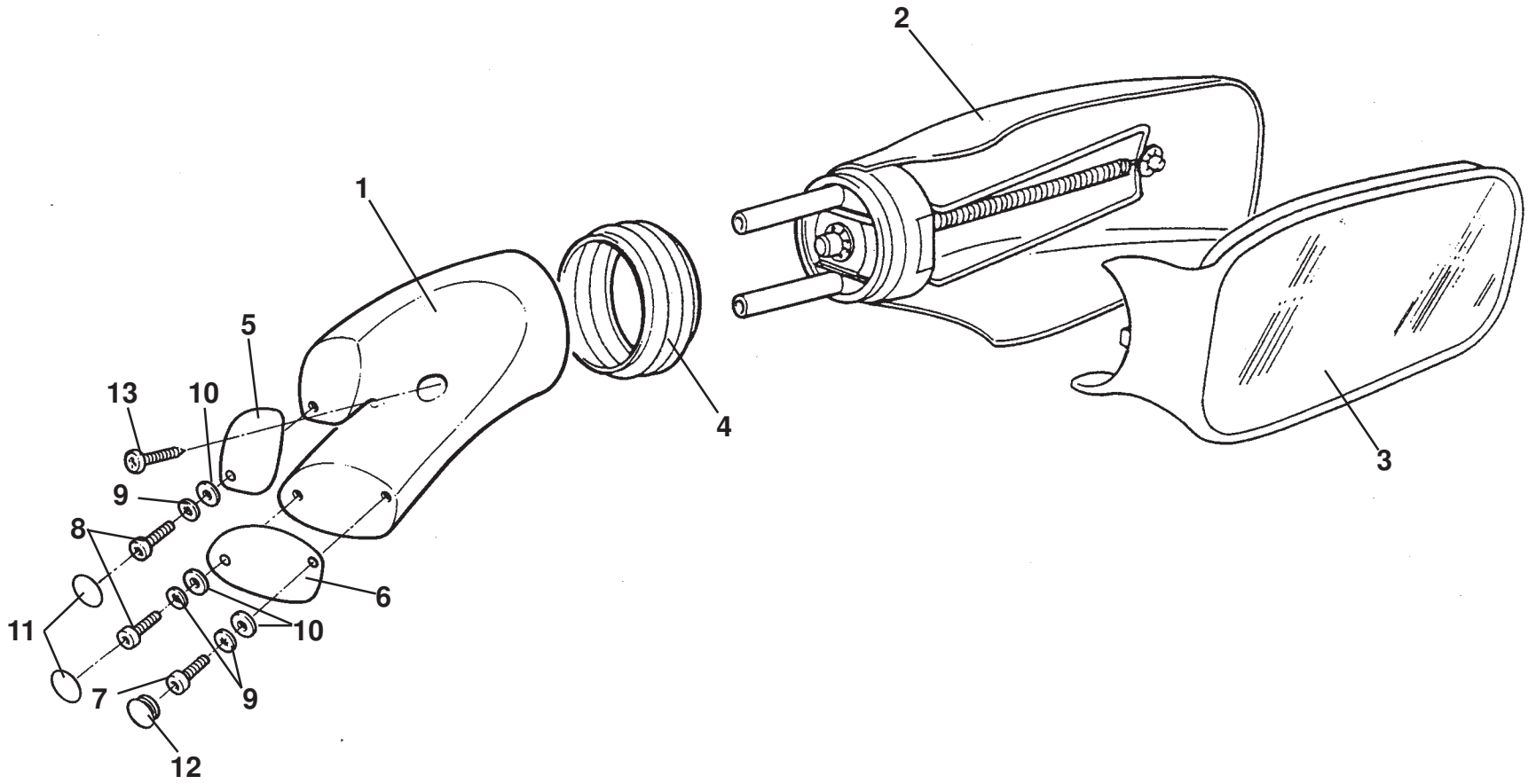
12.07

Updated 15th April 2011

Function Code 12.07 Licence Plate Mountings

<u>Dep</u>	<u>Part Description</u>	<u>Remarks</u>	<u>Option</u>	<u>Part Number</u>	<u>Qty</u>
01	Licence Plate Plinth, front		Japan only	A117B0410F	1
02	Nyloc Nut, M6, thin, plinth to clamshell		Japan only	A907E6285F	2
03	Washer, flat, M6 x 25 x 1.4, plinth to clamshell		Japan only	B075W4017Z	2

Note: for rear plinths see section
10.25



ELISE

12.09

Updated 4th October 2012

Service Parts List **ELISE**



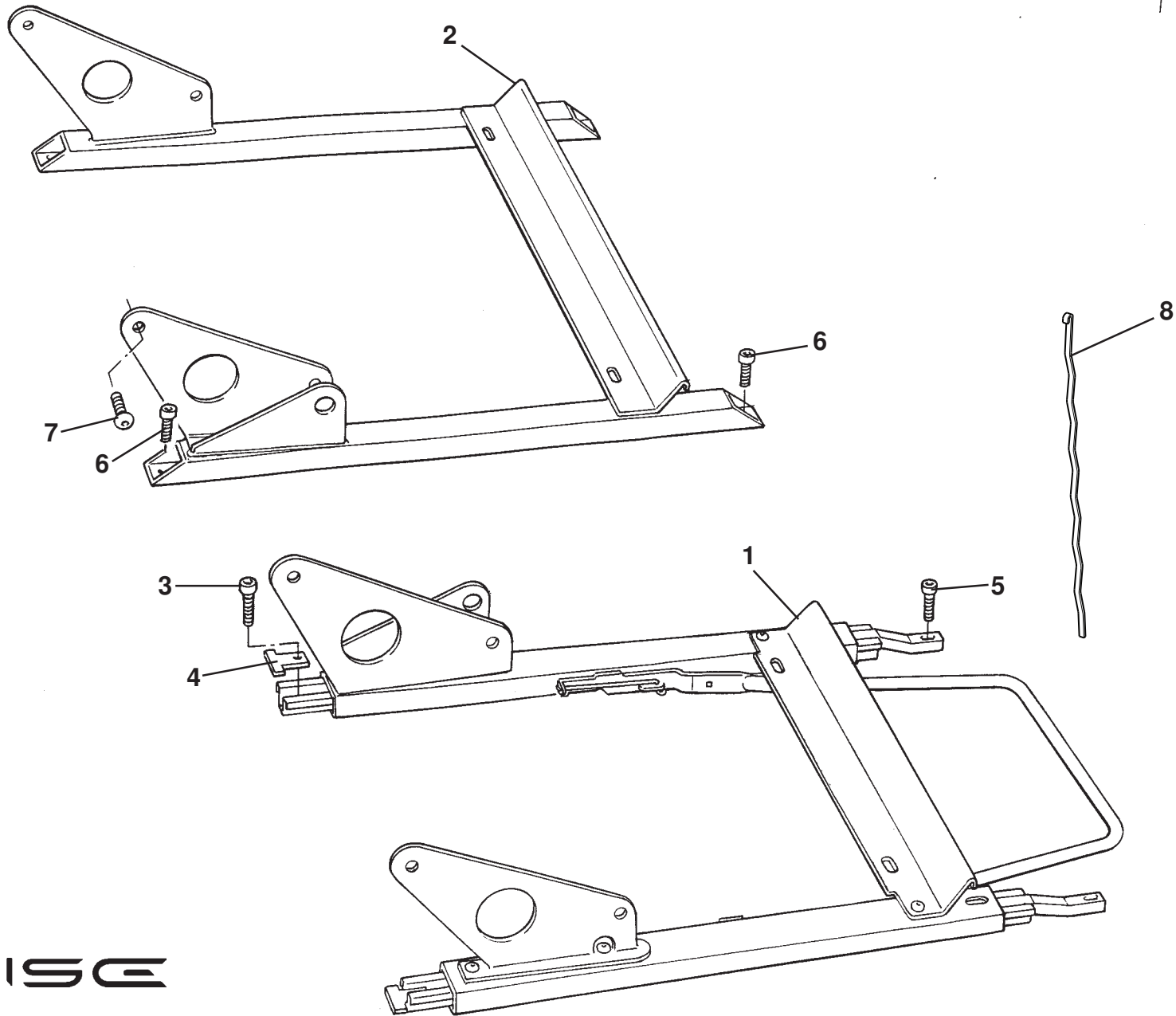
Function Code 12.09 Exterior Driving Mirrors

<u>Dep</u>	<u>Part Description</u>	<u>Remarks</u>	<u>Option</u>	<u>Part Number</u>	<u>Qty</u>
01	Plinth, mirror mounting, RH	Not painted	A117U0124F R/B	B117U0124F	1
01a	Plinth, mirror mounting, LH	Not painted	A117U0123F R/B	B117U0123F	1
02	Mirror Housing	Not painted	Common RH & LH	B111U0117K	2
03	Glass, convex			A111U6046F	2
03a	Glass, flat		Australia only RH	A111U6039F	2
04	Bellows, mirror to plinth			A111U6032F	2
05	Gasket, mirror plinth upper	Not used 10/2001 on		A117U0237F	2
06	Gasket, mirror plinth lower	Not used 10/2001 on		A117U0238F	2
07	Screw, M5 x 20, cap hd.		Rearward fixing	A111W7126F	2
08	Screw, M5 x 16, cap hd.		Forward fixings	A117W7216F	4
09	Washer, internal shakeproof, M5			A075W4045Z	6
10	Washer, flat, M5			A075W4011Z	6
11	Blanking Tape			A111V0206K	4
12	Blanking Grommet			A100B6163F	2
13	Screw, Ejoy, torx hd., plinth to mirror		A075W5043Z R/B	A117F6001F	2

ELISE

Function Code: 12.09, Page: 1

Updated 4th October 2012



ELISE
13.01

Service Parts List **ELISE**



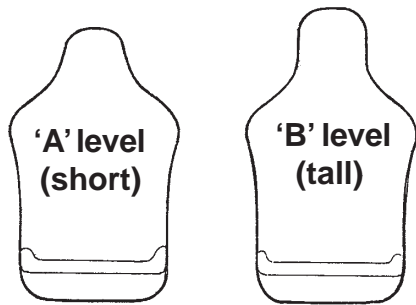
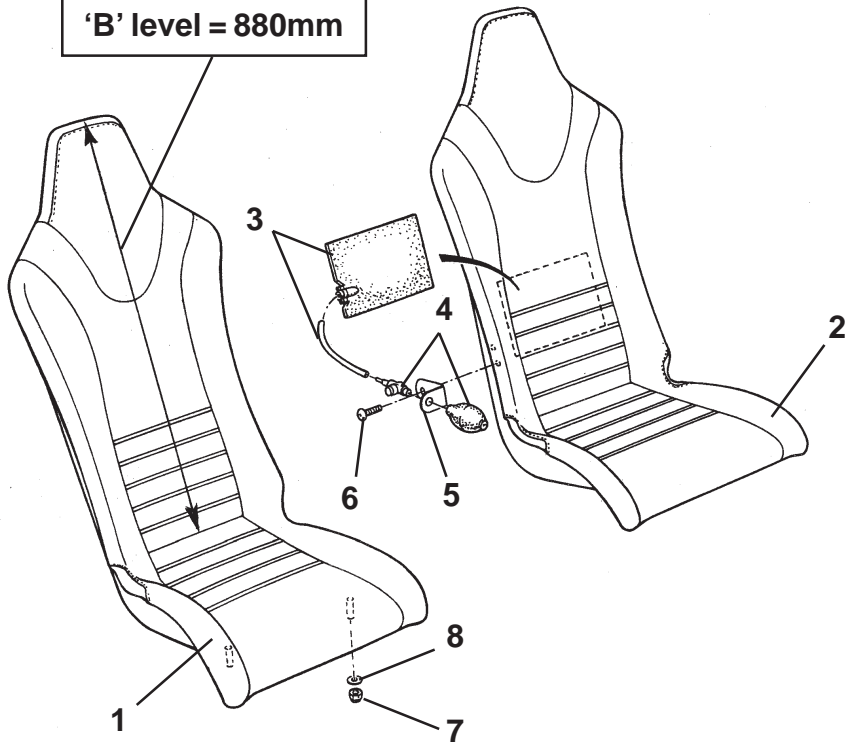
Function Code 13.01 Seat Runners

<u>Dep</u>	<u>Part Description</u>	<u>Remarks</u>	<u>Option</u>	<u>Part Number</u>	<u>Qty</u>
01	Seat Runners, driver, RHD		A111V0012J R/B	C111V0012J	1
01a	Seat Runners, driver, LHD		A111V0011J R/B	C111V0011J	1
01b	Seat Runners, driver, RHD		'04 MY	C116U0068F	1
01c	Seat Runners, driver, LHD		'04 MY	C116U0067F	1
01d	Seat Runners, driver, RHD	Sept. 2004, 111R style seats	VIN: 72400 on C120B0135F R/B	A120B0155S	1
01e	Seat Runners, driver, LHD	Sept. 2004, 111R style seats	VIN: 72400 on C120B0136F R/B	A120B0155S	1
02	Seat Mounting Frame, passenger, RHD		A111V0013F R/B	C111V0013F	1
02a	Seat Mounting Frame, passenger, LHD		A111V0014F R/B	C111V0014F	1
02b	Seat Mounting Frame, passenger, RHD		'04 MY	A122U0068F	1
02c	Seat Mounting Frame, passenger, LHD		'04 MY	A122U0067F	1
02d	Seat Mounting Frame, passenger, RHD	Sept. 2004, 111R style seats	VIN: 72400 on	C120U0006F	1
02e	Seat Mounting Frame, passenger, LHD	Sept. 2004, 111R style seats	VIN: 72400 on	C120U0005F	1
03	Screw, M8 x 20, cap hd.	Runner rear fix.		A111W7130F	2
04	Stop, seat runner		B111V0017F R/B	A116U0146L	2
05	Screw, M8 x 25, cap hd.	Runner front fix.		A111W7115F	2
06	Screw, M8 x 16, cap hd.	Mounting frame fix.		A111W7125F	4
07	Screw, M8 x 12, button hd.	Side brackets to seat fix.		A111W7131F	4

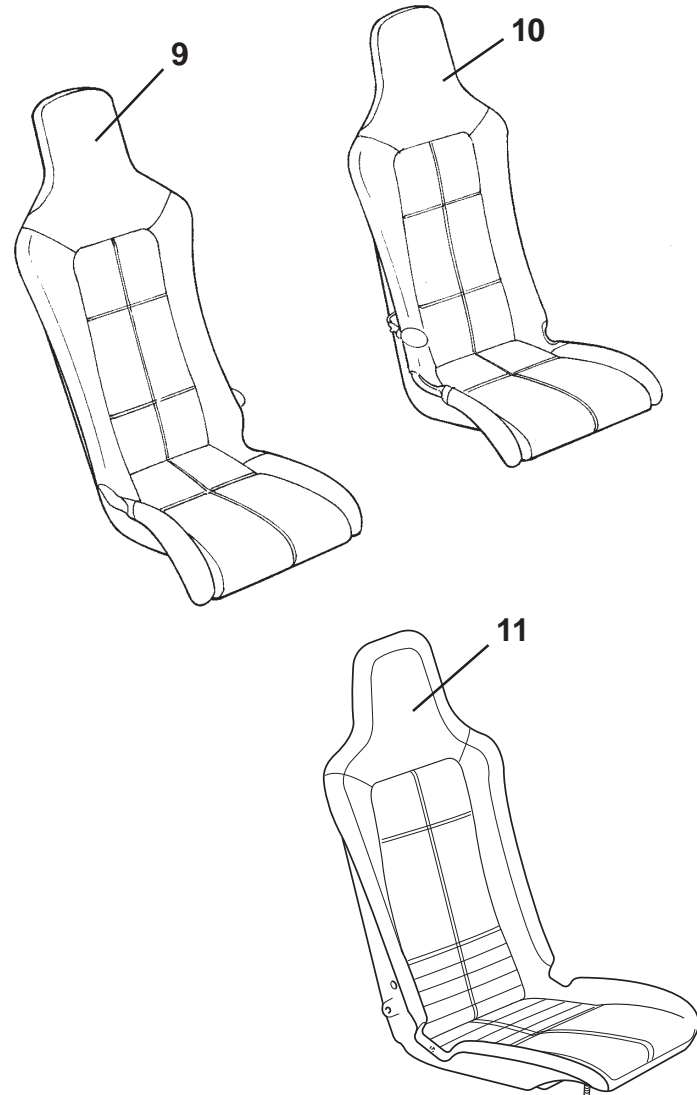
Function Code 13.01 Seat Runners

<u>Dep</u>	<u>Part Description</u>	<u>Remarks</u>	<u>Option</u>	<u>Part Number</u>	<u>Qty</u>
08	Tensioner, seat runner	Use with items 01d,01e		A142V0001K	2

'A' level = 810mm
'B' level = 880mm



Backrest height increase, Oct. '01 on



'04 Model Year Seats

Note: from September '04 (VIN:72400) see 111R
Parts List A120T0325J

ELISE

13.02

Updated 30th July 2018

Service Parts List **ELISE**



Function Code 13.02 Seat Assemblies, front

<u>Dep</u>	<u>Part Description</u>	<u>Remarks</u>	<u>Option</u>	<u>Part Number</u>	<u>Qty</u>
01	Seat Assembly, without lumbar support	Short backrest	Black cloth, standard	A117V0124J	1
01a	Seat Assembly, without lumbar support	Long backrest	Black cloth, standard	C117V0124J	1
01b	Seat Assembly, without lumbar support	Seat sides/top in carbon leather	Black alcantara, race tech	A/B117V0125J*	1
01c	Seat Assembly, without lumbar support	Seat sides/top in carbon leather	Red alcantara, race tech	A/B117V0126J*	1
01d	Seat Assembly, without lumbar support	Seat sides/top in carbon leather	Blue alcantara, race tech	A/B117V0127J*	1
01e	Seat Assembly, without lumbar support	Seat sides/top in carbon leather	Silver alcantara, race tech	A/B117V0128J*	1
01f	Seat Assembly, without lumbar support	Seat sides in keprotec fabric	Black leather, sports tourer	A/B117V0129J*	1
01g	Seat Assembly, without lumbar support	Seat sides in keprotec fabric	Red leather, sports tourer	A/B117V0130J*	1
01h	Seat Assembly, without lumbar support	Seat sides in keprotec fabric	Blue leather, sports tourer	A/B117V0131J*	1
01i	Seat Assembly, without lumbar support	Seat sides in keprotec fabric	Silver leather, sports tourer	A/B117V0132J*	1
01j	Seat Assembly, without lumbar support	Seat sides in keprotec fabric	Green leather, sports tourer	A/B117V0133J*	1
01k	Seat Assembly, without lumbar support	Seat sides in keprotec fabric	Beige leather, sports tourer	A/B117V0134J*	1
01l	Seat Assembly, without lumbar support	Seat sides in keprotec fabric	Tan leather, sports tourer	A/B117V0135J*	1
01m	Seat Assembly, without lumbar support	Seat sides/top in carbon leather	Gold alcantara, 'Type 72'	A117V0450J	1
01n	Seat Assembly, without lumbar support	Seat sides in synthetic leather	Ruby tooled leather, 'Type 25'	A117V0465J	1
01o	Seat Assembly, without lumbar support	Seat sides in synthetic leather	Scarlet tooled leather, 'Type 49'	A117V0500J	1
01p	Seat Assembly, without lumbar support	Seat sides in synthetic leather	Green tooled leather, 'Type 23'	A117V0481J	1
02	Seat Assembly, with lumbar support, RH pump/valve	Short backrest	Black cloth, standard	A117V0136J	1

ELISE

Function Code: 13.02, Page: 1

Updated 21st November 2012

Function Code 13.02 Seat Assemblies, front

<u>Dep</u>	<u>Part Description</u>	<u>Remarks</u>	<u>Option</u>	<u>Part Number</u>	<u>Qty</u>
02a	Seat Assembly, with lumbar support, RH pump/valve	Long backrest	Black cloth, standard	C117V0136J	1
02b	Seat Assembly, with lumbar support, RH pump/valve	Seat sides/top in carbon leather	Black alcantara, race tech	A/B117V0137J*	1
02c	Seat Assembly, with lumbar support, RH pump/valve	Seat sides/top in carbon leather	Red alcantara, race tech	A/B117V0138J*	1
02d	Seat Assembly, with lumbar support, RH pump/valve	Seat sides/top in carbon leather	Blue alcantara, race tech	A/B117V0139J*	1
02e	Seat Assembly, with lumbar support, RH pump/valve	Seat sides/top in carbon leather	Silver alcantara, race tech	A/B117V0140J*	1
02f	Seat Assembly, with lumbar support, RH pump/valve	Seat sides in keprotec fabric	Black leather, sports tourer	A/B117V0141J*	1
02g	Seat Assembly, with lumbar support, RH pump/valve	Seat sides in keprotec fabric	Red leather, sports tourer	A/B117V0142J*	1
02h	Seat Assembly, with lumbar support, RH pump/valve	Seat sides in keprotec fabric	Blue leather, sports tourer	A/B117V0143J*	1
02i	Seat Assembly, with lumbar support, RH pump/valve	Seat sides in keprotec fabric	Silver leather, sports tourer	A/B117V0144J*	1
02j	Seat Assembly, with lumbar support, RH pump/valve	Seat sides in keprotec fabric	Green leather, sports tourer	A/B117V0145J*	1
02k	Seat Assembly, with lumbar support, RH pump/valve	Seat sides in keprotec fabric	Beige leather, sports tourer	A/B117V0146J*	1
02l	Seat Assembly, with lumbar support, RH pump/valve	Seat sides in keprotec fabric	Tan leather, sports tourer	A/B117V0147J*	1
02m	Seat Assembly, with lumbar support, RH pump/valve	Seat sides/top in carbon leather	Gold alcantara, 'Type 72'	A117V0455J	1
02n	Seat Assembly, with lumbar support, RH pump/valve	Seat sides in keprotec fabric	Ruby tooled leather, 'Type 25'	A117V0469J	1
02o	Seat Assembly, with lumbar support, RH pump/valve	Seat sides in keprotec fabric	Scarlet tooled leather, 'Type 49'	A117V0502J	1
02p	Seat Assembly, with lumbar support, RH pump/valve	Seat sides in keprotec fabric	Green tooled leather, 'Type 23'	A117V0485J	1
02q	Seat Assembly, with lumbar support, RH pump/valve	Seat sides/top in carbon leather	Blue alc. Sport 135R	ALS2V0013K	1
02r	Seat Assembly, with lumbar support, RH pump/valve	Lotus Sport logo	Black cloth, Sport 111 std.	ALS2V0019K	1
02s	Seat Assembly, with lumbar support, RH pump/valve	Seat sides/top in carbon leather	Black alc., Sport 111 option	ALS2V0017K	1
02t	Seat Assembly, with lumbar support, LH pump/valve	Short backrest	Black cloth, standard	A117V0148J	1
02u	Seat Assembly, with lumbar support, LH pump/valve	Long backrest	Black cloth, standard	C117V0148J	1

ELISE

Function Code: 13.02, Page: 2

Updated 21st November 2012

Function Code 13.02 Seat Assemblies, front

<u>Dep</u>	<u>Part Description</u>	<u>Remarks</u>	<u>Option</u>	<u>Part Number</u>	<u>Qty</u>
02v	Seat Assembly, with lumbar support, LH pump/valve	Seat sides/top in carbon leather	Black alcantara, race tech	A/B117V0149J*	1
02w	Seat Assembly, with lumbar support, LH pump/valve	Seat sides/top in carbon leather	Red alcantara, race tech	A/B117V0150J*	1
02x	Seat Assembly, with lumbar support, LH pump/valve	Seat sides/top in carbon leather	Blue alcantara, race tech	A/B117V0151J*	1
02y	Seat Assembly, with lumbar support, LH pump/valve	Seat sides/top in carbon leather	Silver alcantara, race tech	A/B117V0152J*	1
02z	Seat Assembly, with lumbar support, LH pump/valve	Seat sides in keprotec fabric	Black leather, sports tourer	A/B117V0153J*	1
02az	Seat Assembly, with lumbar support, LH pump/valve	Seat sides in keprotec fabric	Red leather, sports tourer	A/B117V0154J*	1
02bz	Seat Assembly, with lumbar support, LH pump/valve	Seat sides in keprotec fabric	Blue leather, sports tourer	A/B117V0155J*	1
02cz	Seat Assembly, with lumbar support, LH pump/valve	Seat sides in keprotec fabric	Silver leather, sports tourer	A/B117V0156J*	1
02dz	Seat Assembly, with lumbar support, LH pump/valve	Seat sides in keprotec fabric	Green leather, sports tourer	A/B117V0157J*	1
02ez	Seat Assembly, with lumbar support, LH pump/valve	Seat sides in keprotec fabric	Beige leather, sports tourer	A/B117V0158J*	1
02fz	Seat Assembly, with lumbar support, LH pump/valve	Seat sides in keprotec fabric	Tan leather, sports tourer	A/B117V0159J*	1
02gz	Seat Assembly, with lumbar support, LH pump/valve	Seat sides/top in carbon leather	Gold alcantara, 'Type 72'	A117V0453J	1
02hz	Seat Assembly, with lumbar support, LH pump/valve	Seat sides in synthetic leather	Ruby tooled leather, 'Type 25'	A117V0467J	1
02iz	Seat Assembly, with lumbar support, LH pump/valve	Seat sides in synthetic leather	Scarlet tooled leather, 'Type 49'	A117V0503J	1
02jz	Seat Assembly, with lumbar support, LH pump/valve	Seat sides in synthetic leather	Green tooled leather, 'Type 23'	A117V0484J	1
02kz	Seat Assembly, with lumbar support, LH pump/valve	Seat sides/top in carbon leather	Blue alc. Sport 135R	ALS2V0014K	1
02lz	Seat Assembly, with lumbar support, LH pump/valve	Lotus Sport logo	Black cloth, Sport 111 std.	ALS2V0020K	1
02mz	Seat Assembly, with lumbar support, LH pump/valve	Seat sides/top in carbon leather	Black alc., Sport 111 option	ALS2V0018K	1
03	Inflatable Lumbar Support/Tube	Option on standard car	Race Tech/Sports Tourer	A111V0117F	1
04	Pump & Valve, lumbar support	Option on standard car	Race Tech/Sports Tourer	A089V6142F	1
05	Bracket, pump & valve assy. mounting	Option on standard car	Race Tech/Sports Tourer	B111V0127F	1

ELISE

Function Code: 13.02, Page: 3

Updated 21st November 2012

Function Code 13.02 Seat Assemblies, front

<u>Dep</u>	<u>Part Description</u>	<u>Remarks</u>	<u>Option</u>	<u>Part Number</u>	<u>Qty</u>
06	Screw, M8 x 12, button hd., bracket to seat	Option on standard car	Race Tech/Sports Tourer	A111W7131F	1
07	Nyloc Nut, M8, seat to runner/frame			A075W3010Z	4
08	Washer flat, M8 x 17 x 1.6, seat to runner/frame			A075W4020Z	4
09	Seat Assembly, with lumbar support, RH pump/valve	Seat sides/top in carbon leather	Black alcantara, '04 MY	A117V0624J	1
09a	Seat Assembly, with lumbar support, RH pump/valve	Seat sides/top in carbon leather	Red alcantara, '04 MY	A117V0626J	1
09b	Seat Assembly, with lumbar support, RH pump/valve	Seat sides/top in carbon leather	Blue alcantara, '04 MY	A117V0628J	1
09c	Seat Assembly, with lumbar support, RH pump/valve	Seat sides/top in carbon leather	Silver alcantara, '04 MY	A117V0630J	1
09d	Seat Assembly, with lumbar support, RH pump/valve	Seat sides in keprotec fabric	Black leather, '04 MY	A117V0592J	1
09e	Seat Assembly, with lumbar support, RH pump/valve	Seat sides in keprotec fabric	Red leather, '04 MY	A117V0594J	1
09f	Seat Assembly, with lumbar support, RH pump/valve	Seat sides in keprotec fabric	Ink Blue leather, '04 MY	A117V0596J	1
09g	Seat Assembly, with lumbar support, RH pump/valve	Seat sides in keprotec fabric	Tan leather, '04 MY	A117V0598J	1
09h	Seat Assembly, with lumbar support, RH pump/valve	Seat sides in keprotec fabric	Biscuit leather, '04 MY	A117V0600J	1
09i	Seat Assembly, with lumbar support, LH pump/valve	perforated centre	Black leather, '04 MY	A120V0125S	1
10	Seat Assembly, with lumbar support, LH pump/valve	Seat sides/top in carbon leather	Black alcantara, '04 MY	A117V0625J	1
10a	Seat Assembly, with lumbar support, LH pump/valve	Seat sides/top in carbon leather	Red alcantara, '04 MY	A117V0627J	1
10b	Seat Assembly, with lumbar support, LH pump/valve	Seat sides/top in carbon leather	Blue alcantara, '04 MY	A117V0629J	1
10c	Seat Assembly, with lumbar support, LH pump/valve	Seat sides/top in carbon leather	Silver alcantara, '04 MY	A117V0631J	1
10d	Seat Assembly, with lumbar support, LH pump/valve	Seat sides in keprotec fabric	Black leather, '04 MY	A117V0593J	1
10e	Seat Assembly, with lumbar support, LH pump/valve	Seat sides in keprotec fabric	Red leather, '04 MY	A117V0595J	1
10f	Seat Assembly, with lumbar support, LH pump/valve	Seat sides in keprotec fabric	Ink blue leather, '04 MY	A117V0597J	1
10g	Seat Assembly, with lumbar support, LH pump/valve	Seat sides in keprotec fabric	Tan leather, '04 MY	A117V0599J	1

ELISE

Function Code: 13.02, Page: 4

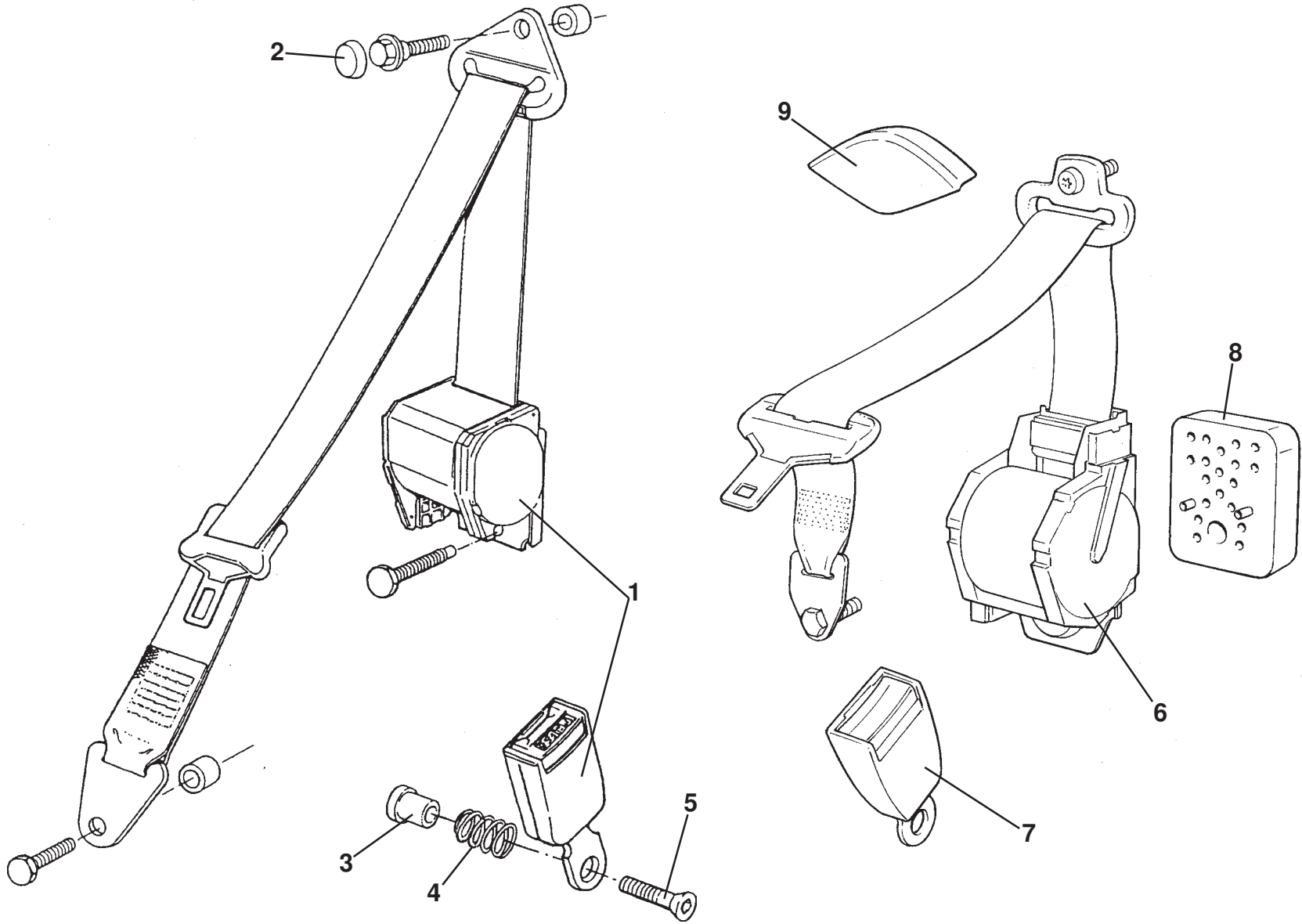
Updated 21st November 2012

Function Code 13.02 Seat Assemblies, front

<u>Dep</u>	<u>Part Description</u>	<u>Remarks</u>	<u>Option</u>	<u>Part Number</u>	<u>Qty</u>
10h	Seat Assembly, with lumbar support, LH pump/valve	Seat sides in keprotec fabric	Biscuit leather, '04 MY	A117V0601J	1
10i	Seat Assembly, with lumbar support, RH pump/valve	perforated centre	Black leather, '04 MY	A120V0126S	1
11	Seat Assembly, without lumbar support		Black cloth, standard '04 MY	A117V0591J	2
12	Seat Assembly, sports	Not Ills. Requires order form	Motorsport, Sport 111	ALS2V0006K	2

*Note: 'A' level seat has short backrest (except '02 MY on variants, eg 'Type 72/25'). 'B' level seat has long backrest (from VIN: 1 909 approx)

Note: from September '04 (VIN: 72400) see 111R Parts List A120T0325J

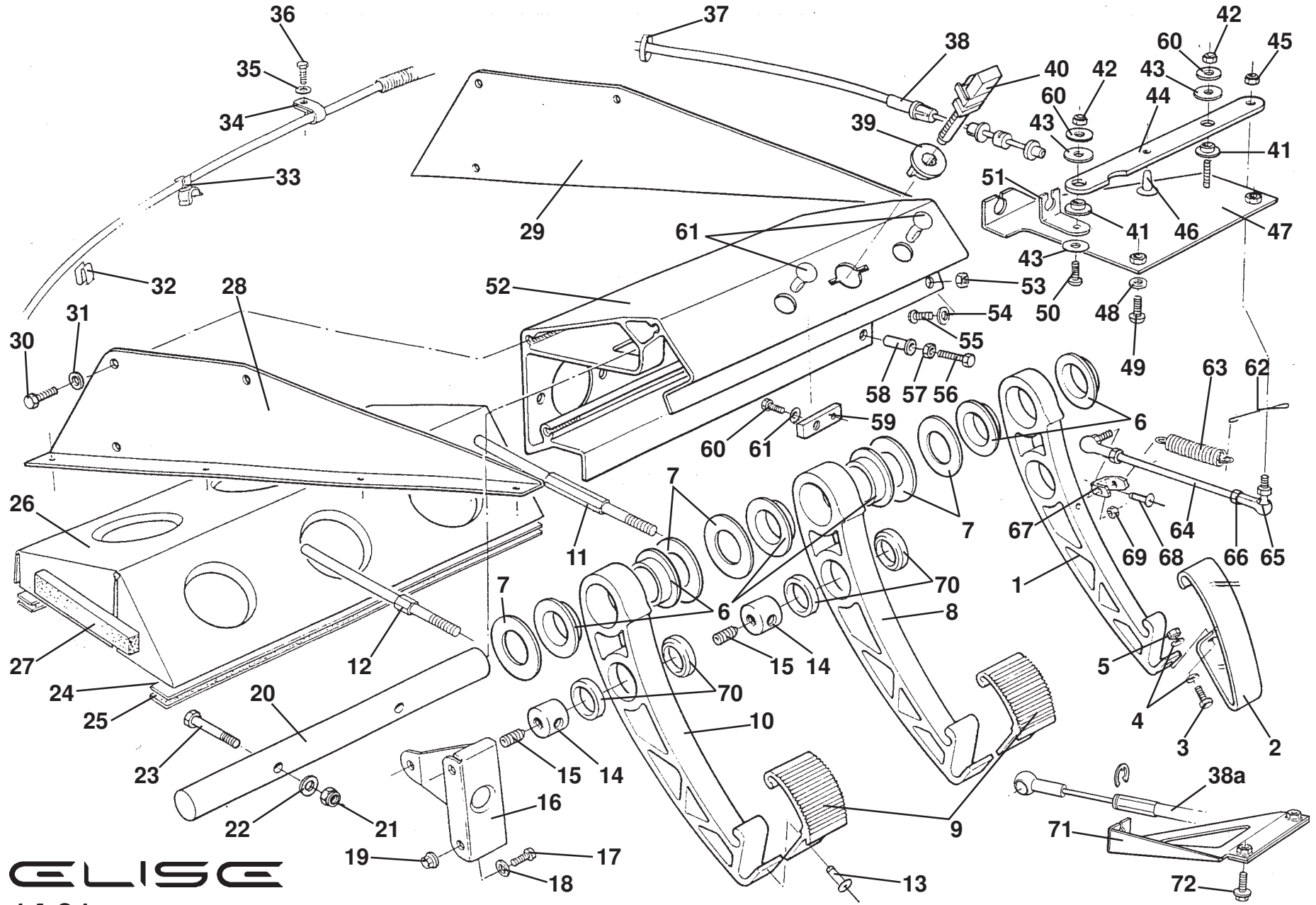


ELISE
13.27

Updated 15th April 2011

Function Code 13.27 Seat Belts, front

<u>Dep</u>	<u>Part Description</u>	<u>Remarks</u>	<u>Option</u>	<u>Part Number</u>	<u>Qty</u>
01	Seat Belt Assembly	Includes fixings, Items 2,3,4,5.		A111U0001F	2
02	Cap, black, upper anchorage bolt			A111U6015H	2
03	Spacer			A111U0017F	2
04	Spring, buckle to seat			A111U6016F	2
05	Bolt, special, buckle to seat fix.		B111U0016F R/B	A121W2209F	2
06	Seat Belt Assembly	Includes fixings	'04 MY	A117U6013F	2
07	Buckle, seat belt		'04 MY	A116U0158F	2
07a	Buckle, seat belt, switched	With lead and connector	'04 MY Japan	A116U6006F	2
08	Spacer Block, belt to bracket		'04 MY	A117U0422F	2
09	Cover, upper anchorage		'04 MY	A117U6014F	2



ELISE
14.01

Updated 15th April 2011

Service Parts List **ELISE**



Function Code 14.01 Pedal Box, Pedals, Throttle Control

<u>Dep</u>	<u>Part Description</u>	<u>Remarks</u>	<u>Option</u>	<u>Part Number</u>	<u>Qty</u>
01	Throttle Pedal			C111J0018F	1
01a	Throttle Pedal Assembly, inc pad			C111J0016J	1
02	Pad, throttle pedal			A111J0081F	1
03	Setscrew, M5 x 16, pad to arm retention			A075W1085F	1
04	Washer, M5 x 10 x 1.0, pad to arm retention			A075W4011Z	2
05	Nyloc Nut, M5, pad to arm retention			A075W3008Z	1
06	Bearing, pedal pivots			A111J6018F	6
07	Thrust Washer, pedal pivots			A111J6019F	5
08	Brake Pedal			B111J0069F	1
08a	Brake Pedal Assembly			B111J0070F	1
09	Pad, brake & clutch pedals			C111J0019F	2
10	Clutch Pedal			C111J0017F	1
11	Push Rod, brake master cylinder			A111J0041F	1
12	Push Rod, clutch master cylinder			A111J0042F	1
13	Pop Rivet, 5/32" x 1/2", pad fix.			A075W6068Z	2
14	Trunion, clutch/brake pedal			A111J0155F	2
15	Grubscrew, M6 x 6, push rod locking			A111W7147F	2
16	Driver Footrest, RHD			A111A0103F	1

ELISE

Function Code: 14.01, Page: 1

Updated 2nd February 2015

Function Code 14.01 Pedal Box, Pedals, Throttle Control

<u>Dep</u>	<u>Part Description</u>	<u>Remarks</u>	<u>Option</u>	<u>Part Number</u>	<u>Qty</u>
16a	Driver Footrest, LHD			A111A0104F	1
17	Screw, M6 x 16, pan, pozi, footrest fix.			A075W5088Z	3
18	Washer, shakeproof, M6, footrest fix.			A075W4046Z	3
19	Locknut, M6, footrest fix.		A100W3108F R/B	A907E6285F	3
20	Pedal Shaft			B111J0038F	1
21	Nyloc Nut, , M6, shaft fix.			A075W3009Z	2
22	Washer, flat, M6, shaft fix.			A075W4013Z	2
23	Screw, M6 x 35, hex. hd., shaft fix.			A075W1033Z	2
24	Grip-Lock, self adhesive, hook			A111V6020V	0.6M
25	Grip-Lok, self adhesive, loop			A111V6019V	0.6M
26	Passenger Footrest Assembly, LHD			A111A0102J	1
26a	Passenger Footrest Assembly, RHD			A111A0101J	1
26b	Passenger Double Footrest Assembly, LHD			A117U0075F	1
26c	Passenger Double Footrest Assembly, RHD			A117U0076F	1
27	Foam Seal, 25 x 12.5			A082U6065V	As req.
28	Side plate, pedal box, LH			B111J0033F	1
29	Side plate, pedal box, RH			B111J0034F	1
30	Screw, M6 x 20, hex. hd., side plate fix.			A111W1155F	6
31	Washer, spring, M6			A075W4035Z	6
32	Clip, throttle cable to manifold fix.			A082W6370F	1
33	Clip, throttle cable to canister pipe fix.			A089W6268F	1

ELISE

Function Code: 14.01, Page: 2

Updated 2nd February 2015

Function Code 14.01 Pedal Box, Pedals, Throttle Control

<u>Dep</u>	<u>Part Description</u>	<u>Remarks</u>	<u>Option</u>	<u>Part Number</u>	<u>Qty</u>
34	'P' Clip, throttle cable to sump			A111W6611F	1
35	Washer, shakeproof, M8, 'P' clip to sump			A075W4048Z	1
36	Setscrew, M8 x 20, 'P' clip to sump			A075W1038Z	1
37	Tie Wrap, throttle cable fix.			A082W6324F	1
38	Throttle Cable		A117J0061F R/B	B117J0061F	1
38a	Throttle Cable	System without relay lever	'04 MY	A117J0086F	1
38b	Throttle Cable		Motorsport 190 VHPD engine	A111J0140S	1
39	Collar, brake light switch fix.			A089M6020F	1
40	Brake Light Switch			A089M6019F	1
41	Bush, nylon, relay lever			A111J6017F	1
42	Nut, M4, nyloc			A075W3049F	1
43	Thrust Washer, nylon, relay lever			A111J6016F	8
44	Relay Lever, throttle linkage			B111J0045F	1
45	Nut, nyloc, M5			A100W3113F	2
46	Slider Button, relay lever			A111J6020F	1
47	Base Plate, relay lever, RHD			C111J0048F	1
47a	Base Plate, relay lever, LHD			C111J0047F	1
48	Washer, shakeproof, M5, base plate fix			A075W4054Z	2
49	Screw, M5 x 10, pozi, base plate fix.			A082W5097F	2
50	Screw, M4 x 16, pozi, swivel fix.			A100W5133F	2
51	Swivel, throttle linkage			A111J0043F	1

ELISE

Function Code: 14.01, Page: 3

Updated 2nd February 2015

Function Code 14.01 Pedal Box, Pedals, Throttle Control

<u>Dep</u>	<u>Part Description</u>	<u>Remarks</u>	<u>Option</u>	<u>Part Number</u>	<u>Qty</u>
52	Pedal Box Extrusion			D111J0021F	1
53	Nut, M5, nyloc			A075W3008Z	1
54	Washer, flat, M5 x 10 x 0.8,			A111W4168F	1
55	Screw, M5 x 12, button hd.			A111W7138F	1
56	Setscrew, M6 x 35, throttle pedal stop			A075W1033Z	1
57	Nyloc Nut, M6, throttle pedal stop			A082W3085F	1
58	Pulsert, M6 x 1.0			A079W6156F	1
59	Nut Plate, pedal box			A111J0083F	1
60	Setscrew, M5 x 12, hex. hd.			A075W1021Z	1
61	Blanking Plug			A111J6020F	2
62	Link, throttle spring, RHD			A111J0096F	1
62a	Link, throttle spring, LHD			A111J0097F	1
63	Throttle Return Spring			A075J6029Z	1
63a	Throttle Return Spring	System without relay lever	'04 MY	A117J6010F	1
64	Pull Rod , throttle linkage	Rod only		A111J0044F	1
65	Ball Joint, pull rod			A111J6015F	2
66	Locknut, M5, ball joint/pull rod			A082W3088F	2
67	Bracket, throttle pedal to pull rod			B111J0046F	1
67a	Bracket, throttle pedal to cable	System without relay lever	'04 MY	A117J0089F	1
68	Pop Rivet, 3/16", bracket to throttle pedal			A075W6087Z	1
69	Nyloc Nut, M5, throttle pedal link fix.			A100W3113F	2

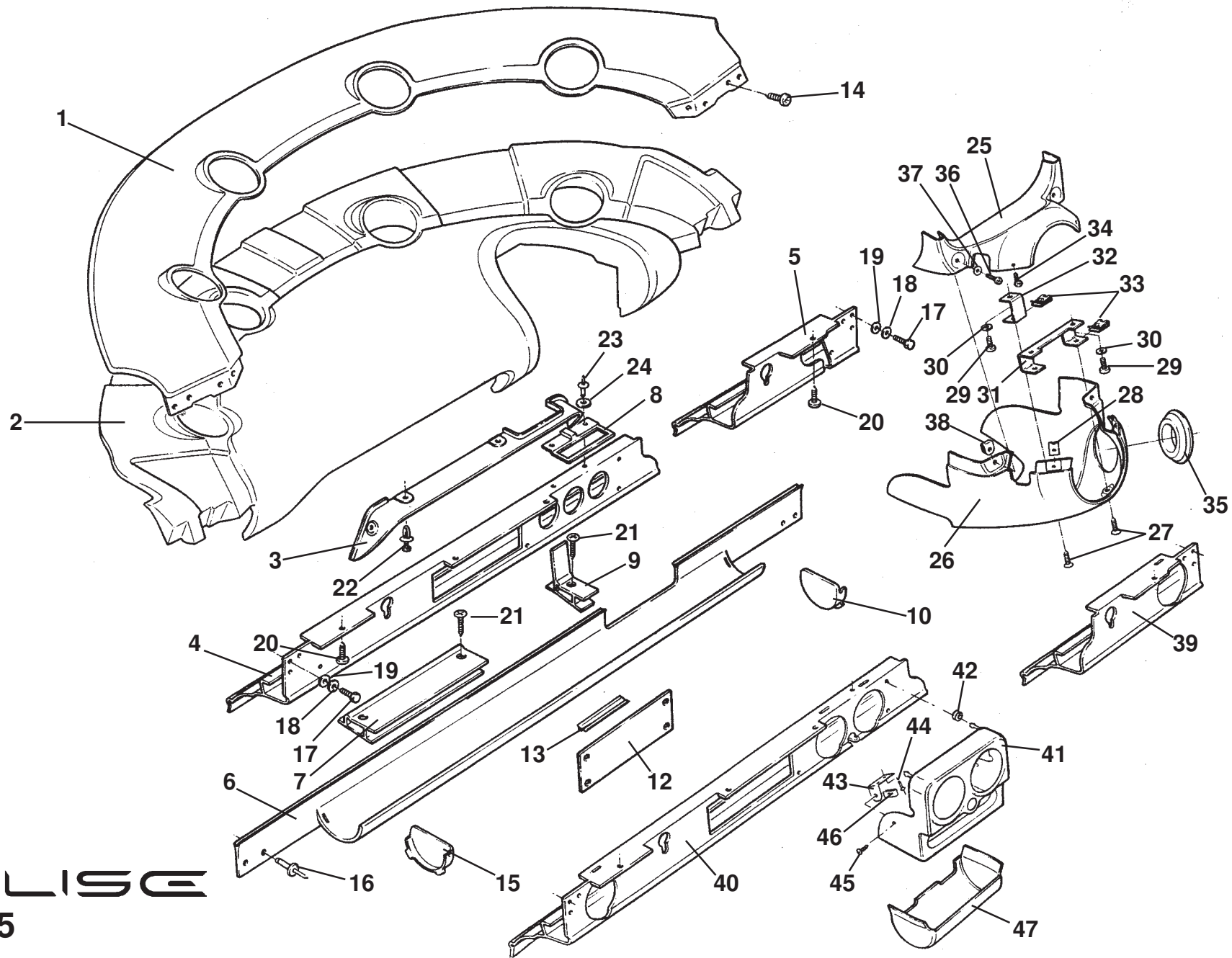
ELISE

Function Code: 14.01, Page: 4

Updated 2nd February 2015

Function Code 14.01 Pedal Box, Pedals, Throttle Control

<u>Dep</u>	<u>Part Description</u>	<u>Remarks</u>	<u>Option</u>	<u>Part Number</u>	<u>Qty</u>
70	Bush, synthetic, pedal trunnions			A111J6036F	4
71	Abutment, cable front	System without relay lever	'04 MY	A117J0087F	1
72	Bolt, M5 x 10, flg. hd., abutment to chassis	System without relay lever	'04 MY	A117W5261F	2
73	Screw, M6 x 16, hex. hd., double footrest fix.	Not illustrated		A918W5208F	4
74	Washer, flat, M6 x 25, double footrest fix.	Not illustrated		B075W4017Z	4
75	Rivnut, M6, double footrest fix.	Not illustrated		B082W3092F	4
76	Velcro Hook, double footrest fix.	Not illustrated		A082V6058V	As req.
77	Velcro Loop, double footrest fix.	Not illustrated		A082V6088V	As req.
78	Grease, molycote DC33 medium, pedal bush lube	Not illustrated		A111F6016V	As req.



ELISE
14.05

Updated 15th April 2011

Function Code 14.05 Fascia Structure & Supporting Hardware

<u>Dep</u>	<u>Part Description</u>	<u>Remarks</u>	<u>Option</u>	<u>Part Number</u>	<u>Qty</u>
01	Capping Panel, fascia top			A117U0014F	1
02	Fascia Top Panel, black alcantara, RHD	Without face level vents	Standard heater cars	A117U0256J	1
02b	Fascia Top Panel, black alcantara, LHD	Without face level vents	Standard heater cars	C117U0257J	1
02b	Fascia Top Panel, grey synthetic leather, RHD	Without face level vents	Standard heater cars	A117U0282J	1
02c	Fascia Top Panel, grey synthetic leather, LHD	Without face level vents	Standard heater cars	A117U0283J	1
02e	Fascia Top Panel, black alcantara, RHD	AC, '02 MY: face level vents	AC cars, 111/111S	A117U0302J	1
02f	Fascia Top Panel, black alcantara, LHD	AC, '02 MY: face level vents	AC cars, 111/111S	A117U0305J	1
02f	Fascia Top Panel, grey synthetic leather, RHD	Face level vents	AC cars, 111/111S	A117U0303J	1
02g	Fascia Top Panel, grey synthetic leather, LHD	Face level vents	AC cars, 111/111S	A117U0306J	1
03	Trim Panel, lamp recess, RHD		Standard heater cars	B117U0142F	1
03a	Trim Panel, lamp recess, LHD		Standard heater cars	B117U0015F	1
03b	Trim Panel, FLV recess, RHD	With face level vents	AC cars, 111/111S	A117U0300F	1
03c	Trim Panel, FLV recess, LHD	With face level vents	AC cars, 111/111S	A117U0299F	1
04	Dash Panel Upper, passenger, RHD		Standard heater cars	B117U0020F	1
04a	Dash Panel Upper, passenger, LHD		Standard heater cars	B117U0019F	1
05	Dash Panel Upper, driver, RHD		Standard heater cars	D117U0018F	1
05a	Dash Panel Upper, driver, LHD		Standard heater cars	D117U0017F	1
06	Dash Panel Lower/Stowage Shelf, RHD			D117U0032F	1
06a	Dash Panel Lower/Stowage Shelf, LHD			D117U0031F	1
06b	Foam Seal, self adhesive, radio supporting	Cut to fit		A082U6067F	2.1M
07	Bracket, dash support, passenger's side			B117U0022F	1

ELISE

Function Code: 14.05, Page: 1

Updated 15th April 2011

Function Code 14.05 Fascia Structure & Supporting Hardware

<u>Dep</u>	<u>Part Description</u>	<u>Remarks</u>	<u>Option</u>	<u>Part Number</u>	<u>Qty</u>
08	Bracket, interior lamp fix.			A117U0149F	1
09	Bracket, dash support, driver's side			A116U0096F	1
10	Closing Panel, stowage shelf, RH			B117U0028F	1
11	Tray, stowage shelf			B117U0026F	1
12	Blanking Panel, radio aperture		Standard	C117U0122F	1
12a	Blanking Panel, radio aperture AC/FLV	Also fits standard car	AC, 111/111S	A100V6070F	1
13	Edging Strip, radio protection	Fitted to item 7, cut to fit		B075U6054V	As req.
14	Screw, No.6 x 0.75", flg hd., pozi. black, trim panel fix.			A075W5028Z	4
15	Closing Panel, stowage shelf, LH			B117U0027F	1
16	Pop Rivet, dash panel lower fix.			A082W6259F	2
17	Screw, M6 x 16, hex. hd, panel to chassis			A075W1028Z	4
18	Washer, spring, M6, panel to chassis			A075W4035ZZ	4
19	Washer, flat, M6 x 12.1 x 1.4, panel to chassis			A075W4013F	4
20	Screw, pan hd., pozi.			A075W1028Z	4
21	Screw, No. 10 x 1/2", pan hd., pozi., brackets to chassis			A075W5040Z	3
22	Screw, No.6 x 0.75", flg hd., pozi. black, trim panel fix.			A075W5028Z	2
23	Pop Rivet				2
24	Washer, flat				2
25	Column Shroud, upper			C117U0024F	1
26	Column Shroud, lower			C117U0025F	1
27	Screw, No.10 x 1/2"., pan pozi., shroud to brackets			A075W5040Z	3

ELISE

Function Code: 14.05, Page: 2

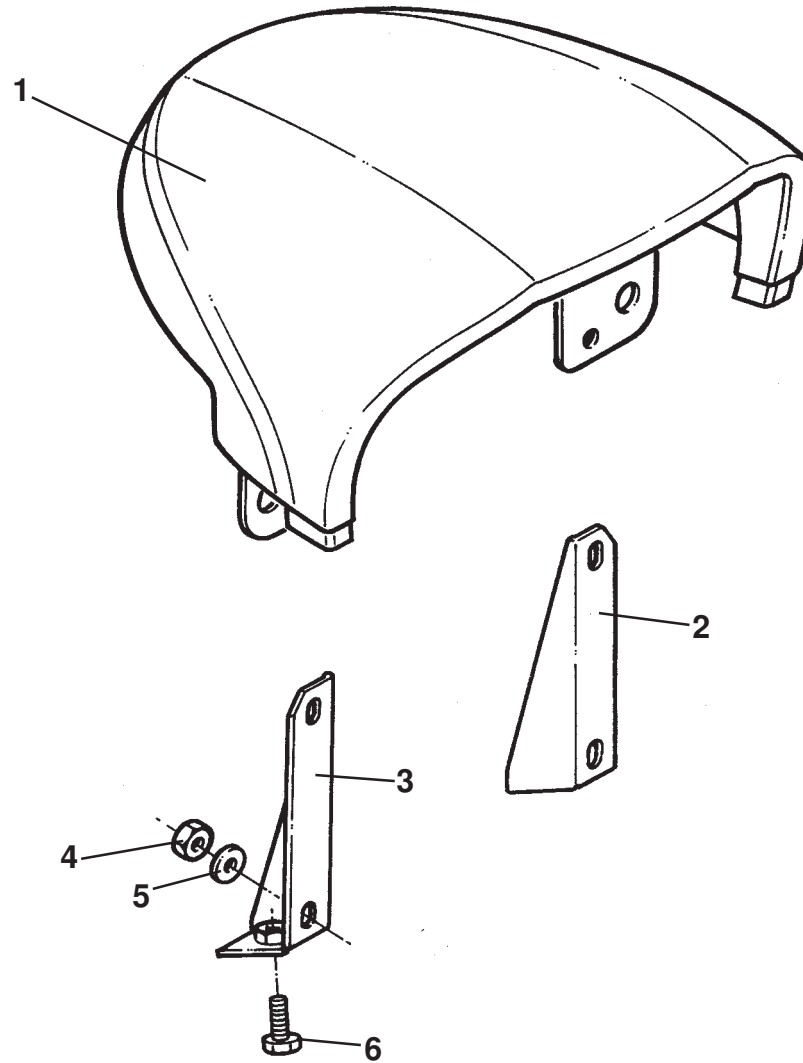
Updated 15th April 2011

Function Code 14.05 Fascia Structure & Supporting Hardware

<u>Dep</u>	<u>Part Description</u>	<u>Remarks</u>	<u>Option</u>	<u>Part Number</u>	<u>Qty</u>
28	Spire Nut			A075W5014Z	2
29	Screw, M5 x 30, pan hd. pozi., brackets to column			A082W5142F	3
30	Washer, flat, M5 x 10			A075W4011Z	3
31	Bracket, shroud to column front	Deleted, shroud fits to column bosses		A111U0127F	1
32	Bracket, shroud to column rear			A111U0128F	1
33	Spire Nut			A079W6024F	3
34	Screw, No.6 x 0.5", button hd., lower to upper shroud			A075W5012F	2
35	Finisher Ring, steering lock to shroud			A100V6061F	2
36	Screw, ejot			A117F6001F	2
37	Washer, flat, M4 x 9 x 0.8			A082W4136F	2
38	Easy Fastener, ejot			A117F6000F	2
39	Dash Panel Upper, driver, RHD	With aperure for FLV adaptor	AC cars, 111/111S	A117U0291F	1
39a	Dash Panel Upper, driver, LHD	With aperure for FLV adaptor	AC cars, 111/111S	A117U0291F	1
40	Dash Panel Upper, passenger, RHD	With aperures for FLV adaptors	AC cars, 111/111S	A117U0294F	1
40a	Dash Panel Upper, passenger, LHD	With aperures for FLV adaptors	AC cars, 111/111S	A117U0293F	1
40a	Dash Panel Upper, passenger, LHD	With aperures for FLV adaptors	AC cars, 111/111S	A117U0293F	1
41	Mounting Panel, FLV & AC switches		AC cars, 111/111S	A117P0062F	1
42	Grommet, mounting panel spigots to dash panrl		AC cars, 111/111S	A117W6713F	2
43	Bracket, mounting panel to dash		AC cars, 111/111S	B117P0081F	2
44	Pop Rivet, bracket to dash panel		AC cars, 111/111S	A111W6613F	4

Function Code 14.05 Fascia Structure & Supporting Hardware

<u>Dep</u>	<u>Part Description</u>	<u>Remarks</u>	<u>Option</u>	<u>Part Number</u>	<u>Qty</u>
45	Screw, No.8 x 0.75", flg. hd. pozi., panel to bracket		AC cars, 111/111S	A075W5074Z	2
46	Spirenut, mounting panel to bracket		AC cars, 111/111S	A075W6172F	2
47	Closing Panel, mounting panel to shelf		AC cars, 111/111S	A117P0061F	1



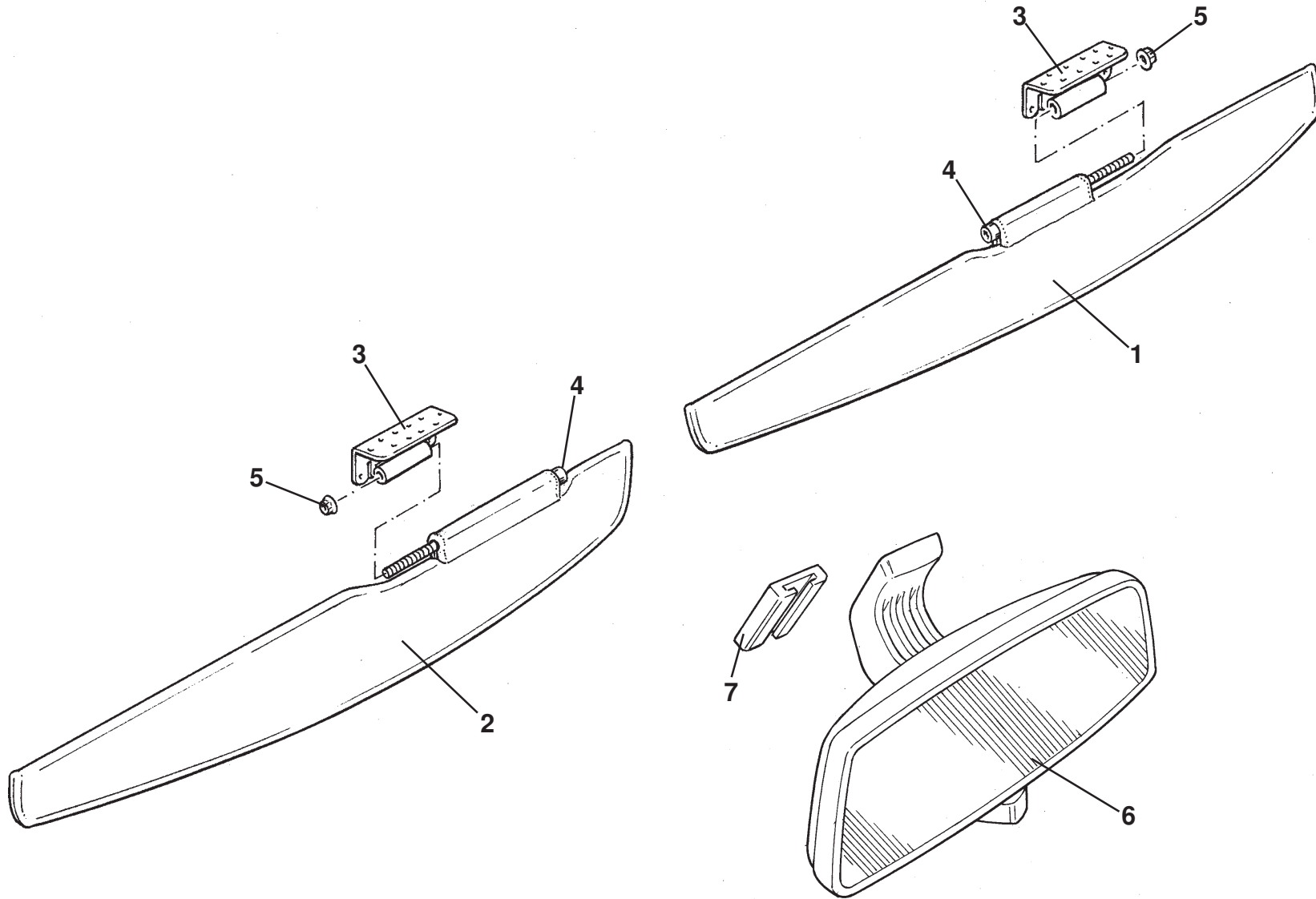
ELISE

14.10

Updated 15th April 2011

Function Code 14.10 Instrument Cowling

<u>Dep</u>	<u>Part Description</u>	<u>Remarks</u>	<u>Option</u>	<u>Part Number</u>	<u>Qty</u>
01	Instrument Cowling			C117U0040F	1
02	Bracket, instrument mounting, RH			C111U0156F	1
03	Bracket, instrument mounting, LH			C111U0155F	1
04	Nut, M4	Instrument pack to brackets		A075W3019F	4
05	Washer, flat, M4 x 9 x 0 8	Instrument pack to brackets		A082W4099F	4
06	Screw, M6 x 15, hex. hd.	Brackets to dash		A100A6024F	2



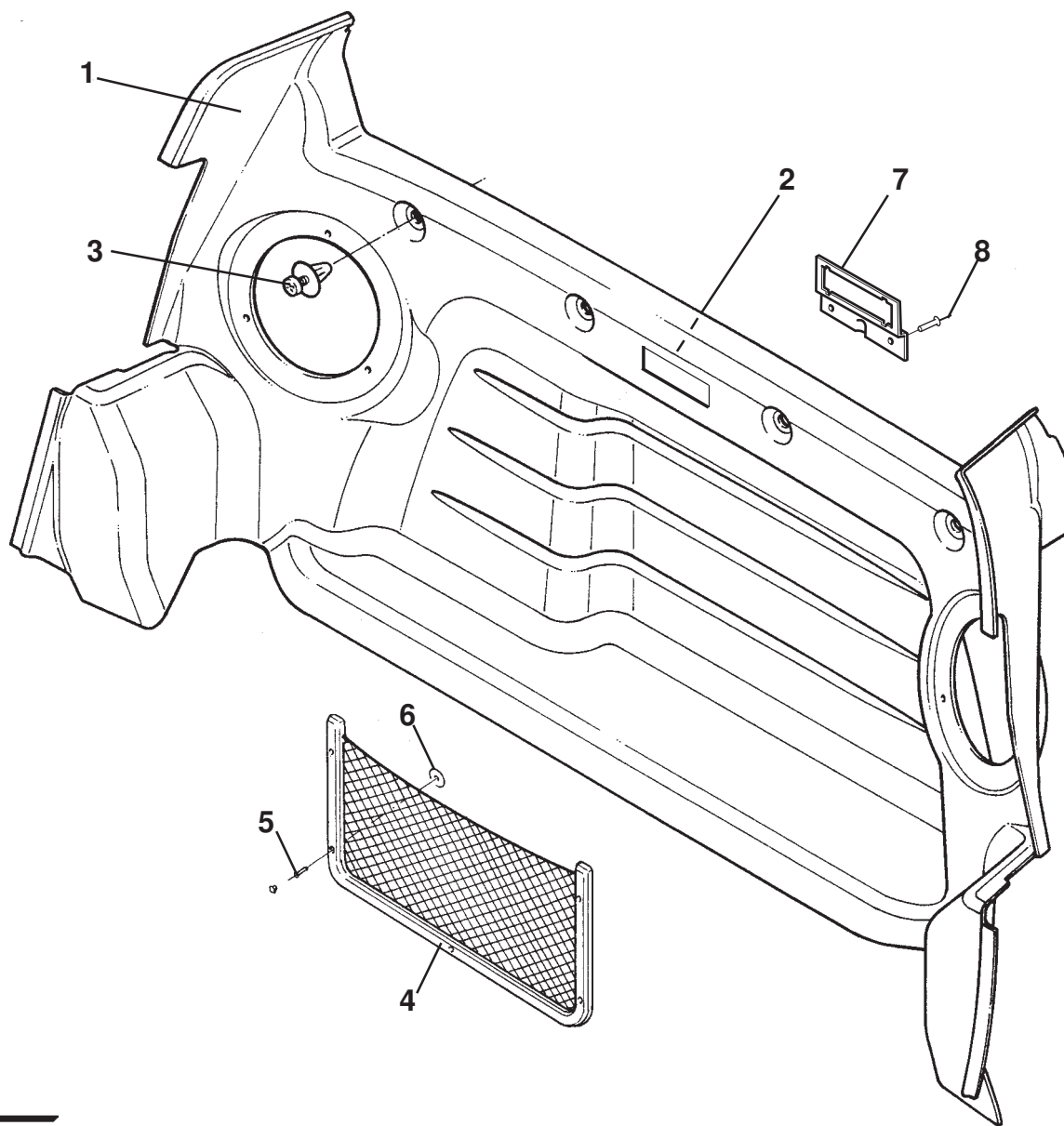
ELISE

15.05

Updated 15th April 2011

Function Code 15.05 Interior Driving Mirror & Sunvisors

<u>Dep</u>	<u>Part Description</u>	<u>Remarks</u>	<u>Option</u>	<u>Part Number</u>	<u>Qty</u>
01	Sun Visor, driver, RHD	Includes screw, item 4		A117V0516J	1
01a	Sun Visor, driver, LHD	Includes screw, item 4		A117V0518J	1
02	Sun Visor, passenger, RHD	Includes screw, item 4		A117V0517J	1
02a	Sun Visor, passenger, LHD	Includes screw, item 4		A117V0519J	1
03	Bracket, visor to header rail			A117U0419F	2
04	Screw, M8 x 100, cap hd., visor to bracket		A082W7043F R/B	A117W7210F	2
05	Nut, M8, Kaylock, visor to bracket			A100C6022F	2
06	Mirror, interior rear view			A116U0193F	1
06a	Mirror, interior rear view		'04 MY	A117U6016F	1
07	Mounting Plinth, interior mirror	Mounted higher for '04 MY	Common	A116U0204F	1
08	Adhesive Kit, mirror mounting plinth	Not illustrated		A116U0194F	1
09	Betaclean 3900, glass preparation	Not illustrated		A100B6008V	1



ELISE

15.11

Updated 16th July 2012

Service Parts List **ELISE**



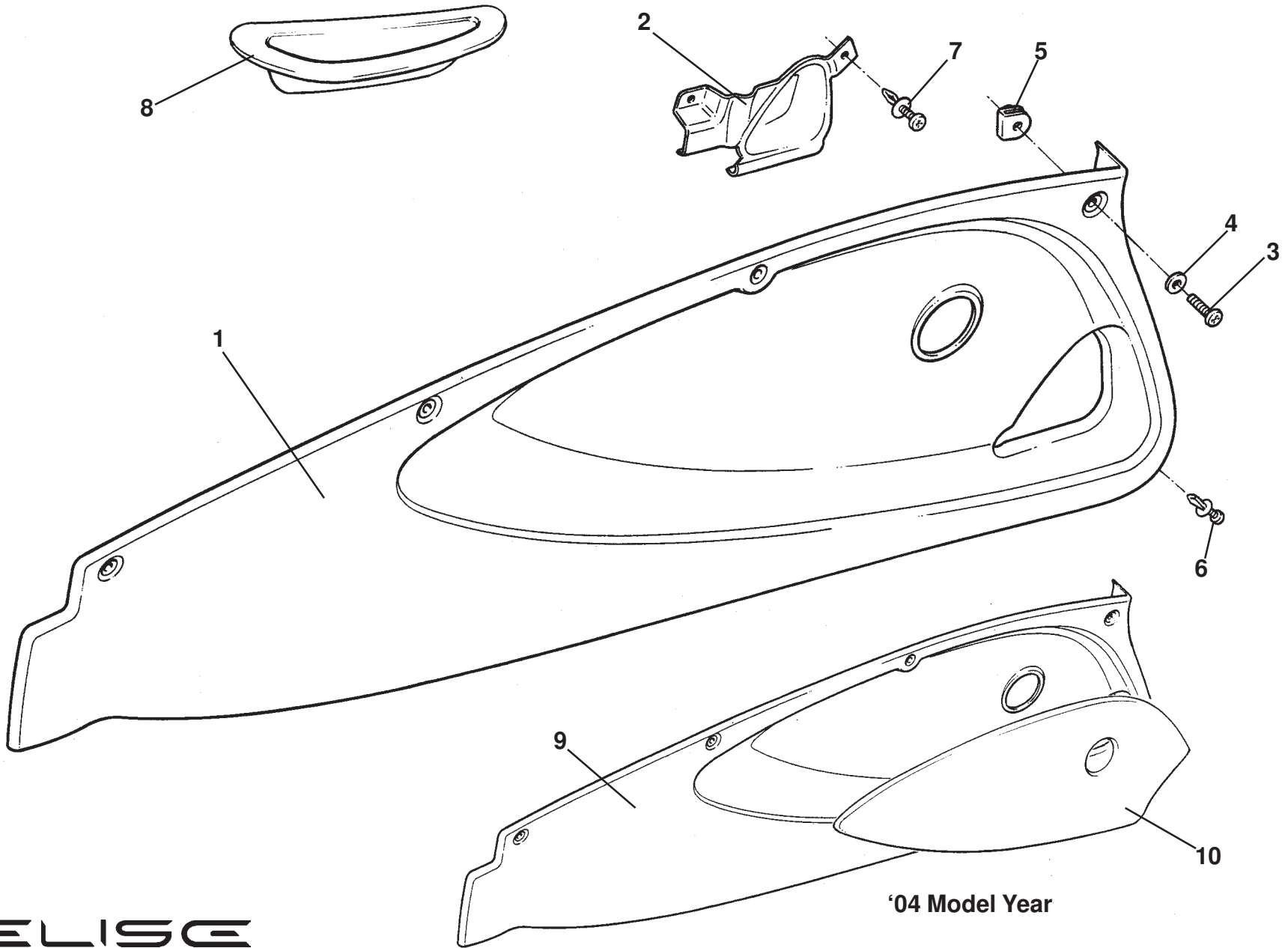
Function Code 15.11 Interior Trim & Stowage Provision

<u>Dep</u>	<u>Part Description</u>	<u>Remarks</u>	<u>Option</u>	<u>Part Number</u>	<u>Qty</u>
01	Rear Bulkhead Trim Panel, speakers		Audio options	B117U0041F	1
01	Rear Bulkhead Trim Panel, speakers, interior lamp	Cars with FLV; A117U0290F R/B	AC cars, 111/111S	C117U0290F	1
01b	Rear Bulkhead Trim Panel, no speakers		Standard	A117U0251F	1
01c	Rear Bulkhead Trim Panel, no speakers		'04 MY, B117U0326F R/B	C117U0326F	1
01d	Rear Bulkhead Trim Panel, speakers, interior lamp		'04 MY, B117U0290F R/B	C117U0290F	1
02	Reinforcing Panel, panel rear			A117U0164F	1
03	Plastic Fastener, trim panel fix.			A100W6391F	6
04	Stowage Net Assembly	Includes finisher plugs	'04 MY	A117U6011F	1
05	Pop Rivet, net to panel		'04 MY	A082W6512F	5
06	Washer, flat, 1/8" x 0.75"		'04 MY	A075W4001Z	5
07	Plate, interior lamp mounting	Cars with FLV	AC cars, 111/111S	A117U0149F	1
08	Pop Rivet, plate to panel	Cars with FLV	AC cars, 111/111S	A075W6070Z	2

ELISE

Function Code: 15.11, Page: 1

Updated 16th July 2012



ELISE
15.13

'04 Model Year

Updated 15th April 2011

Service Parts List **ELISE**



Function Code 15.13 Front Door Trims

<u>Dep</u>	<u>Part Description</u>	<u>Remarks</u>	<u>Option</u>	<u>Part Number</u>	<u>Qty</u>
01	Door Trim, silver, senosoft, LH		Standard	B117U0043F	1
01a	Door Trim, silver, senosoft, RH		Standard	B117U0044F	1
01b	Door Trim, silver, alcantara, LH	B117U0203J R/B	Race Tech Pack	C117U0203J	1
01c	Door Trim, silver, alcantara, RH	B117U0202J R/B	Race Tech Pack	C117U0202J	1
01d	Door Trim, black, alcantara, LH	Also 'Type 49' B117U0046J R/B	Race Tech Pack	C117U0046J	1
01e	Door Trim, black, alcantara, RH	Also 'Type 49' B117U0046J R/B	Race Tech Pack	C117U0045J	1
01f	Door Trim, red, alcantara, LH	B117U0206J R/B	Race Tech Pack	C117U0206J	1
01g	Door Trim, red, alcantara, RH	B117U0207J R/B	Race Tech Pack	C117U0207J	1
01h	Door Trim, blue, alcantara, LH	B117U0204J R/B	Race Tech Pack	C117U0204J	1
01i	Door Trim, blue, alcantara, RH	B117U0205J R/B	Race Tech Pack	C117U0205J	1
01j	Door Trim, black, leather, LH		Sports Tourer Pack	B117U0047J	1
01k	Door Trim, black, leather, RH		Sports Tourer Pack	B117U0048J	1
01l	Door Trim, silver, leather, LH		Sports Tourer Pack	B117U0208J	1
01m	Door Trim, silver, leather, RH		Sports Tourer Pack	B117U0209J	1
01n	Door Trim, red, leather, LH		Sports Tourer Pack	B117U0210J	1
01p	Door Trim, red, leather, RH		Sports Tourer Pack	B117U0211J	1
01q	Door Trim, green, leather, LH		Sports Tourer Pack	B117U0212J	1
01r	Door Trim, green, leather, RH		Sports Tourer Pack	B117U0211J	1

ELISE

Function Code: 15.13, Page: 1

Updated 30th July 2018

Function Code 15.13 Front Door Trims

<u>Dep</u>	<u>Part Description</u>	<u>Remarks</u>	<u>Option</u>	<u>Part Number</u>	<u>Qty</u>
01s	Door Trim, stone, leather, LH		Sports Tourer Pack	B117U0216J	1
01t	Door Trim, stone, leather, RH		Sports Tourer Pack	B117U0217J	1
01u	Door Trim, tan, leather, LH		Sports Tourer Pack	B117U0218J	1
01v	Door Trim, tan, leather, RH		Sports Tourer Pack	B117U0219J	1
01w	Door Trim, blue, leather, LH		Sports Tourer Pack	B117U0214J	1
01ww	Door Trim, blue, leather, RH		Sports Tourer Pack	B117U0215J	1
01x	Door Trim, ruby tooled leather, LH		'Type 25'	B117V0493J	1
01xx	Door Trim, ruby tooled leather, RH		'Type 25'	B117V0492J	1
01y	Door Trim, gold alcantara, LH		'Type 72'	A117V0461J	1
01yy	Door Trim, gold alcantara, RH		'Type 72'	A117V0460J	1
01z	Door Trim, green tooled leather, LH		'Type 23'	A117V0495J	1
01zz	Door Trim, green tooled leather, RH		'Type 23'	A117V0494J	1
02	Trim Panel, interior release handle, LH			A117U0049F	1
02a	Trim Panel, interior release handle, RH			A117U0050F	1
02b	Trim Panel, interior release handle, LH	Silver, not available	'04 MY	A117U0331F	1
02c	Trim Panel, interior release handle, RH	Silver, not available	'04 MY	A117U0332F	1
02d	Trim Panel, interior release handle, LH	Black		B117U0331F	1
02e	Trim Panel, interior release handle, RH	Black		B117U0332F	1
03	Screw, M5 x 10, button hd., S/S		A117F6001F R/B	A082W7173F	8
04	Washer, flat, M4 x 9 x 0.3, S/S			A082W4136F	8
05	Spirenut, M5		A117F6000F R/B	B100W6372F	8

ELISE

Function Code: 15.13, Page: 2

Updated 30th July 2018

Function Code 15.13 Front Door Trims

<u>Dep</u>	<u>Part Description</u>	<u>Remarks</u>	<u>Option</u>	<u>Part Number</u>	<u>Qty</u>
06	Plastic Fastener, trim to door lower			A100W6479F	8
07	Plastic Fastener, escutcheon to door			A100W6479F	2
08	Trim Panel, interior door pull recess, LH	Bonded to inner door		A117B0371F	1
08a	Trim Panel, interior door pull recess, RH	Bonded to inner door		A117B0372F	1
09	Door Trim, silver, LH		'04 MY, standard	A117U0327F	1
09a	Door Trim, silver, RH		'04 MY, standard	A117U0328F	1
09b	Door Trim, black alcantara, LH		'04 MY; Sport 111 option	A117U0363J	1
09c	Door Trim, black alcantara, RH		'04 MY; Sport 111 option	A117U0362J	1
09d	Door Trim, red alcantara, LH		'04 MY	A117U0365J	1
09e	Door Trim, red alcantara, RH		'04 MY	A117U0364J	1
09f	Door Trim, blue alcantara, LH		'04 MY	A117U0393J	1
09g	Door Trim, blue alcantara, RH		'04 MY	A117U0392J	1
09h	Door Trim, silver alcantara, LH		'04 MY	A117U0395J	1
09i	Door Trim, silver alcantara, RH		'04 MY	A117U0394J	1
09j	Door Trim, black leather, LH		'04 MY	A117U0353J	1
09k	Door Trim, black leather, RH		'04 MY	A117U0352J	1
09l	Door Trim, ruby leather, LH		'04 MY	A117U0357J	1
09m	Door Trim, ruby leather, RH		'04 MY	A117U0356J	1
09n	Door Trim, ink blue leather, LH		'04 MY	A117U0355J	1
09o	Door Trim, ink blue leather, RH		'04 MY	A117U0354J	1
09p	Door Trim, tan leather, LH		'04 MY	A117U0361J	1

ELISE

Function Code: 15.13, Page: 3

Updated 30th July 2018

Function Code 15.13 Front Door Trims

<u>Dep</u>	<u>Part Description</u>	<u>Remarks</u>	<u>Option</u>	<u>Part Number</u>	<u>Qty</u>
09q	Door Trim, tan leather, RH		'04 MY	A117U0360J	1
09r	Door Trim, biscuit leather, LH		'04 MY	A117U0359J	1
09s	Door Trim, biscuit leather, RH		'04 MY	A117U0358J	1
09t	Door Trim, black cloth, LH		'04 MY	A117U0451J	1
09u	Door Trim, black cloth, RH		'04 MY	A117U0450J	1
10	Insert, door trim, black alcantara, LH		'04 MY; Sport 111 option	A117U0377J	1
10a	Insert, door trim, black alcantara, RH		'04 MY; Sport 111 option	A117U0376J	1
10b	Insert, door trim, red alcantara, LH		'04 MY	A117U0379J	1
10c	Insert, door trim, red alcantara, RH		'04 MY	A117U0378J	1
10d	Insert, door trim, blue alcantara, LH		'04 MY	A117U0397J	1
10e	Insert, door trim, blue alcantara, RH		'04 MY	A117U0396J	1
10h	Insert, door trim, gold alcantara, LH		'04MY	A117V0655J	1
10i	Insert, door trim, gold alcantara, RH		'04MY	A117V0654J	1
10j	Insert, door trim, silver alcantara, LH		'04 MY	A117U0399J	1
10k	Insert, door trim, silver alcantara, RH		'04 MY	A117U0398J	1
10l	Insert, door trim, black tooled leather, LH		'04 MY	A117U0367J	1
10m	Insert, door trim, black tooled leather, RH		'04 MY	A117U0366J	1
10n	Insert, door trim, ruby tooled leather, LH		'04 MY	A117U0371J	1
10o	Insert, door trim, ruby tooled leather, RH		'04 MY	A117U0370J	1
10p	Insert, door trim, ink blue tooled leather, LH		'04 MY	A117U0369J	1
10q	Insert, door trim, ink blue tooled leather, RH		'04 MY	A117U0368J	1

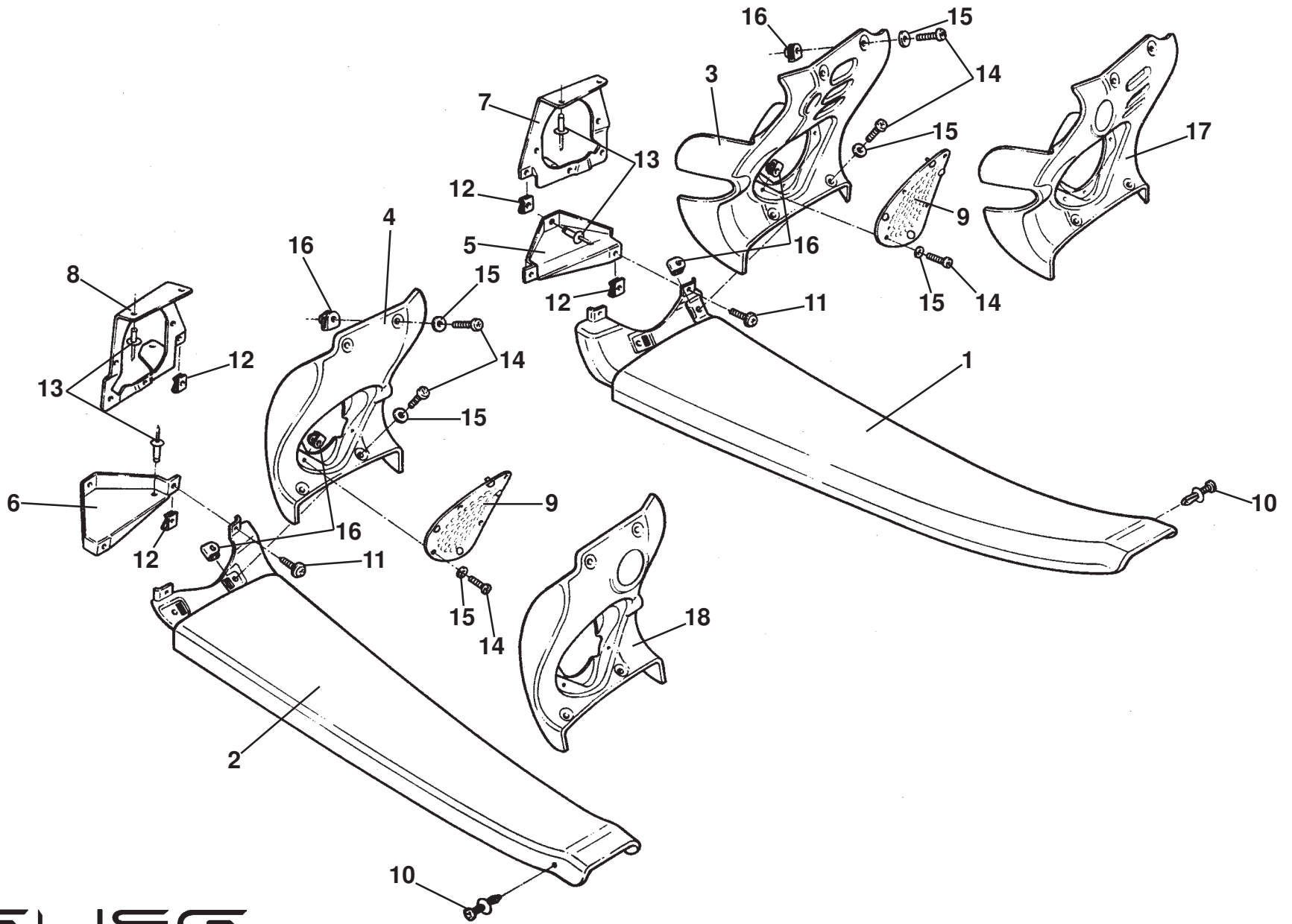
ELISE

Function Code: 15.13, Page: 4

Updated 30th July 2018

Function Code 15.13 Front Door Trims

<u>Dep</u>	<u>Part Description</u>	<u>Remarks</u>	<u>Option</u>	<u>Part Number</u>	<u>Qty</u>
10r	Insert, door trim, tan tooled leather, LH		'04 MY	A117U0375J	1
10s	Insert, door trim, tan tooled leather, RH		'04 MY	A117U0374J	1
10t	Insert, door trim, biscuit tooled leather, LH		'04 MY	A117U0373J	1
10u	Insert, door trim, biscuit tooled leather, RH		'04 MY	A117U0372J	1
10v	Insert, door trim, cloth, LH		'04 MY	A117U0453J	1
10w	Insert, door trim, cloth, RH		'04 MY	A117U0452J	1



ELISE

15.18

Updated 15th April 2011

Function Code 15.18 Interior Trim, Chassis Trim Panels

<u>Dep</u>	<u>Part Description</u>	<u>Remarks</u>	<u>Option</u>	<u>Part Number</u>	<u>Qty</u>
01	Sill Trim Panel, RH			C117U0112F	1
02	Sill Trim Panel, LH			C117U0117F	1
03	'A' Post Trim Panel/Speaker Housing, RH, RHD	With switch apertures	4 speaker audio system	C117U0068F	1
03a	'A' Post Trim Panel/Speaker Housing, RH, LHD		4 speaker audio system	B117U0071F	1
03b	'A' Post Trim Panel, RH, RHD	With switch apertures		C117U0066F	1
03c	'A' Post Trim Panel, RH, LHD			B117U0069F	1
04	'A' Post Trim Panel/Speaker Housing, LH, RHD		4 speaker audio system	B117U0072F	1
04a	'A' Post Trim Panel/Speaker Housing, LH, LHD	With switch apertures	4 speaker audio system	C117U0067F	1
04b	'A' Post Trim Panel, LH, RHD			B117U0070F	1
04c	'A' Post Trim Panel, LH, LHD	With switch apertures		C117U0065F	1
05	Bracket, trim support, RH		Standard car	A117U0144F	1
06	Bracket, trim support, LH		Standard car	A117U0145F	1
07	Bracket, speaker retention, RH		4 speaker audio system	B117U0074F	1
08	Bracket, speaker retention, LH		4 speaker audio system	A117U0073F	1
09	Speaker Grille		4 speaker audio system	A117U0167F	2
09a	Speaker Grille	Clarion speakers	'04 MY	A117U0347F	2
09b	Foam, speaker grille	Not illustrated	'04 MY	A117V0530F	2
10	Screw, self tap. No. 6 x 1/2", flg. hd, pozi., trim fix	Replaces plastic fastener	A111W6534F R/B	A079W5138F	2
11	Screw, self tap. No.8 x 3/4", flg. hd., pozi.			A075W5074Z	4
12	Spirenut, No.8			A075W6016Z	4
13	Pop Rivet		6 for speaker brackets	A075W6069Z	4

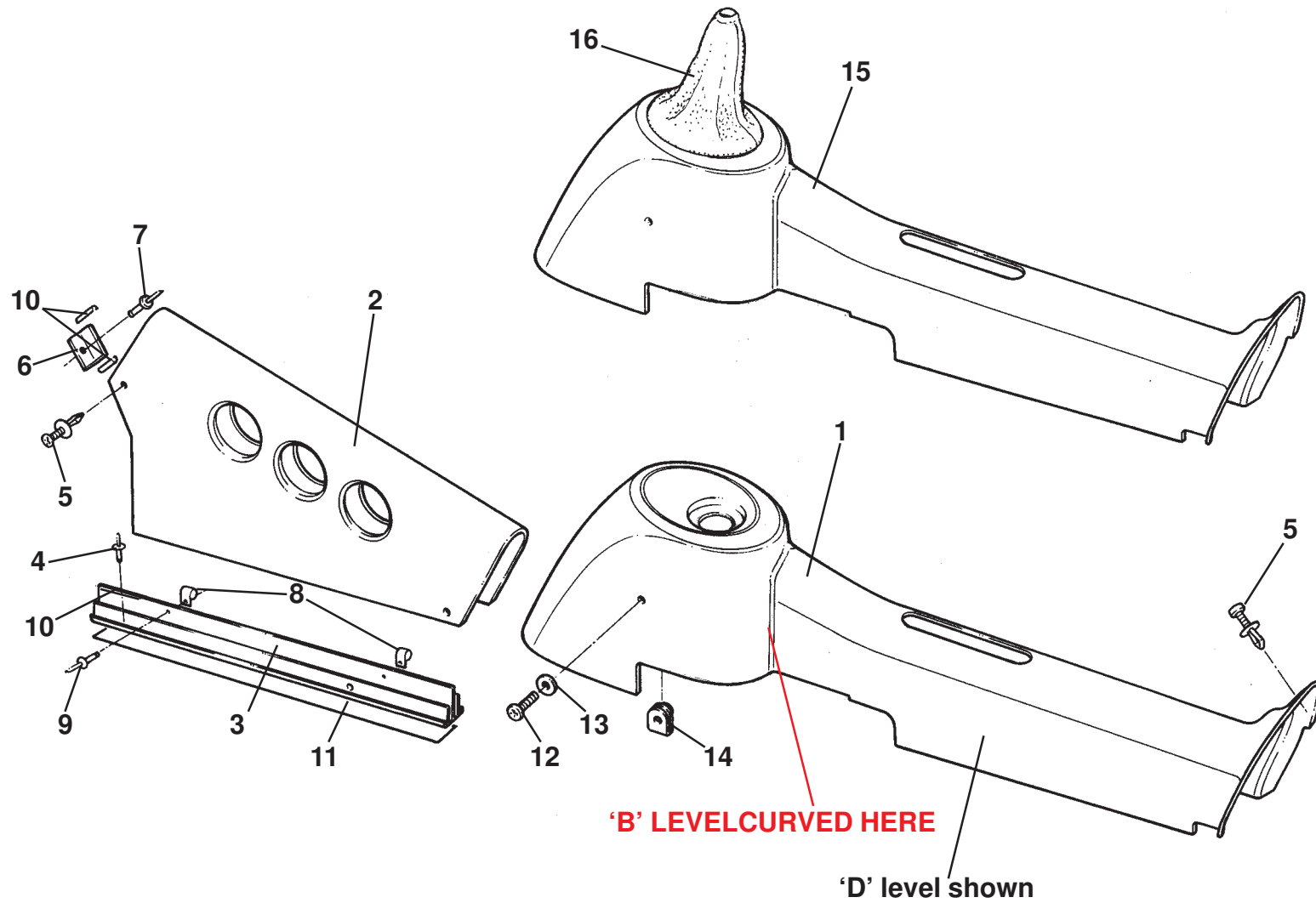
ELISE

Function Code: 15.18, Page: 1

Updated 15th April 2011

Function Code 15.18 Interior Trim, Chassis Trim Panels

<u>Dep</u>	<u>Part Description</u>	<u>Remarks</u>	<u>Option</u>	<u>Part Number</u>	<u>Qty</u>
14	Screw, ejot			A117F6001F	16
15	Washer, flat, M4 x 9 x 0.8			A082W4136F	16
16	Spirenut, plastic			A117F6000F	16
17	'A' Post Trim Panel/Speaker Housing, RH, RHD	With switch/FLV apertures	AC cars, 111/111S	A117U0296F	1
17a	'A' Post Trim Panel/Speaker Housing, RH, LHD	With FLV aperture	AC cars, 111/111S	A117U0297F	1
18	'A' Post Trim Panel/Speaker Housing, LH, RHD	With FLV aperture	AC cars, 111/111S	A117U0298F	1
18a	'A' Post Trim Panel/Speaker Housing,	With switch/FLV apertures	AC cars, 111/111S	A117U0295F	1



ELISE

15.19

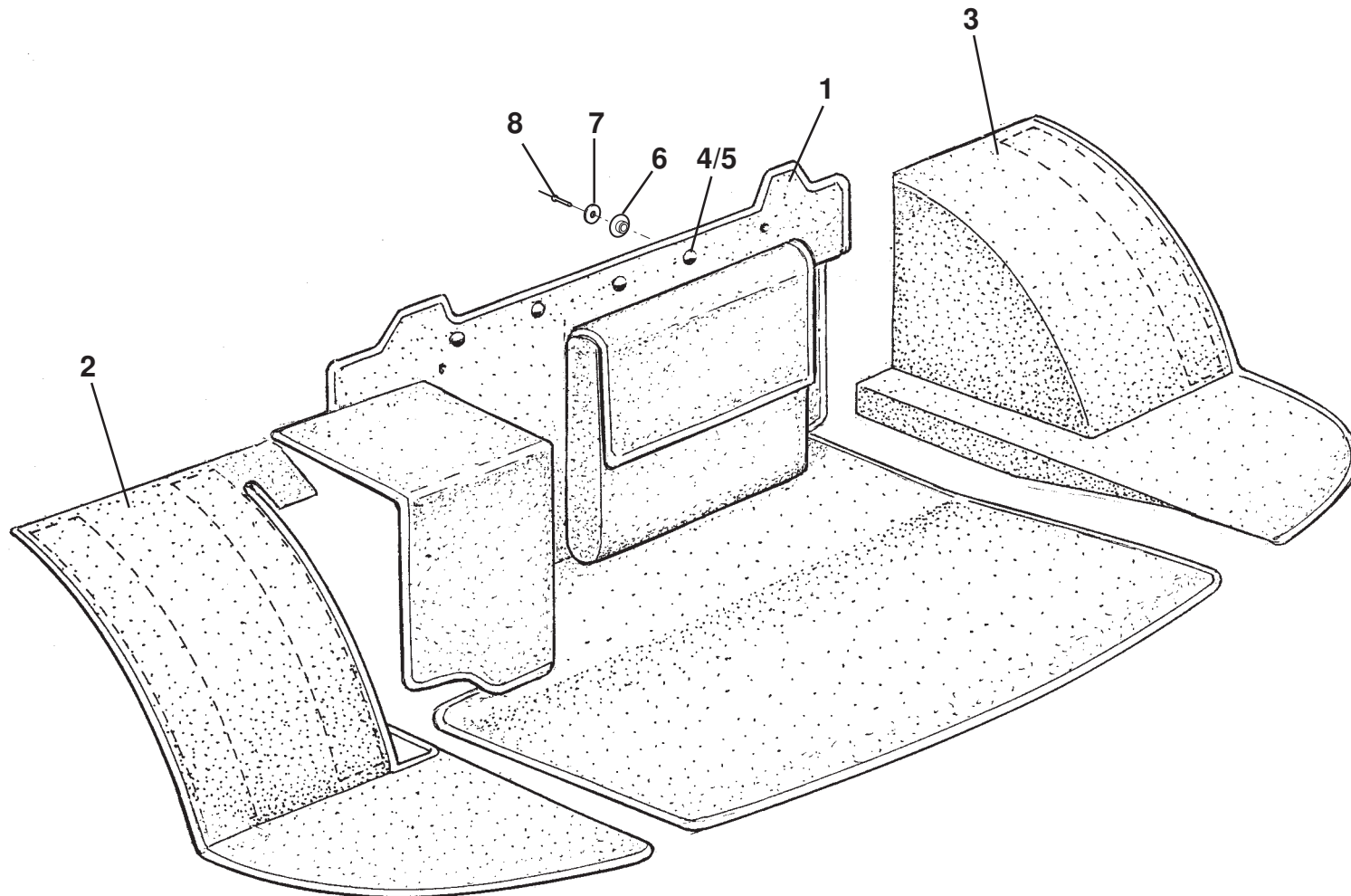
Updated 15th April 2011

Function Code 15.19 Centre Tunnel Trim, Gear Lever Gaiters/Shrouds

<u>Dep</u>	<u>Part Description</u>	<u>Remarks</u>	<u>Option</u>	<u>Part Number</u>	<u>Qty</u>
01	Cover, gear lever/parking brake, RHD	'D' level gives more seat clearance	B117U0062F R/B	D117U0062F	1
01a	Cover, gear lever/parking brake, LHD	'D' level gives more seat clearance	B117U0061F R/B	D117U0061F	1
02	Cover, tunnel front, RHD	Alloy, perforated	Sports Tourer/Race Tech	A117U0166F	1
02a	Cover, tunnel front, LHD	Alloy, perforated	Sports Tourer/Race Tech	A117U0165F	1
02b	Cover, tunnel front, RHD	Alloy	Standard	B111A0068F	1
02c	Cover, tunnel front, LHD	Alloy	Standard	A111A0106F	1
03	Mounting Bracket, front tunnel to floor			C111A0067F	1
04	Blind Rivet, tunnel mount fix.			A111W6613F	4
05	Plastic Fastener, tunnel fix.			A082W6505F	5
06	Mounting Bracket, front tunnel to toeboard			B111A0069F	1
07	Pop Rivet, 3/16" x 9/16", bracket fix.			A082W6243F	1
08	'P' Clip, harness retention			A082W5457F	2
09	Pop Rivet, 'P' clip fix.			A075W6087Z	2
10	Edging Strip, harness protection			B075U6054V	0.16M
11	Tape, double sided, tunnel mount to floor			B075U6070V	0.55M
12	Screw, pan hd., torx, cover fix.			A117F6001F	2
13	Washer, flat, M4 x 9, cover fix.			A082W4099F	2
14	Spire Nut, plastic, cover fix.			A117F6000F	2
15	Cover, gear lever/parking brake, RHD	Aperture for CDL switch	'04 MY	A117U0334F	1

Function Code 15.19 Centre Tunnel Trim, Gear Lever Gaiters/Shrouds

<u>Dep</u>	<u>Part Description</u>	<u>Remarks</u>	<u>Option</u>	<u>Part Number</u>	<u>Qty</u>
15a	Cover, gear lever/parking brake, LHD	Aperture for CDL switch	'04MY	A117U0333F	1
15b	Cover, gear lever/parking brake, RHD	Apertures for CDL switch/gaiter fixing	'04 MY	A117U0434K	1
15c	Cover, gear lever/parking brake, LHD	Apertures for CDL switch/gaiter fixing	'04 MY	A117U0433K	1
16	Gaiter Assembly, gearlever	Includes fixing ring	'04 MY	A117V0589J	1
17	Film, cover protection	Not illustrated, cut to suit		A100B2477V	As req.



ELISE

15.24

Updated 1st May 2014

Service Parts List **ELISE**



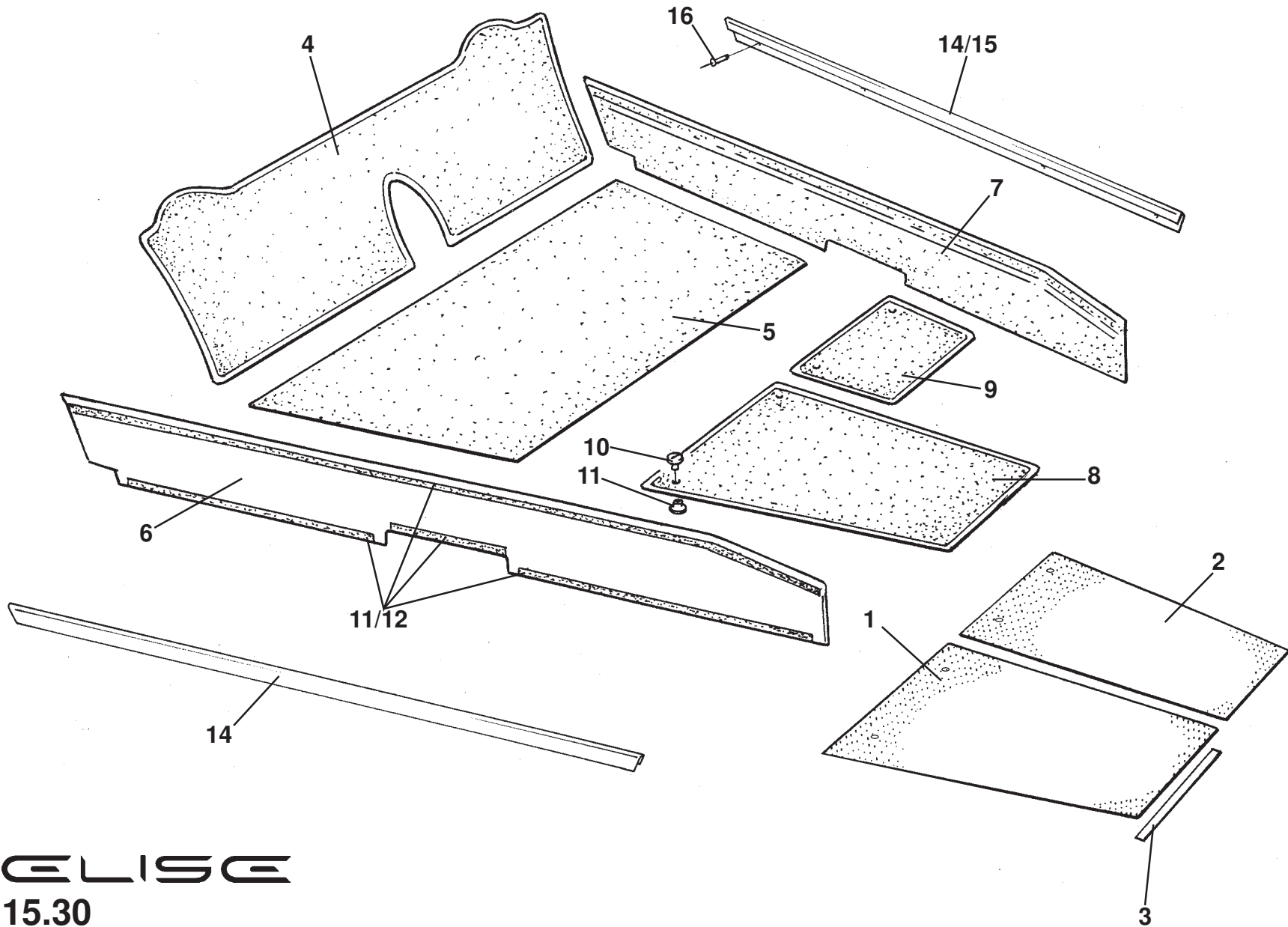
Function Code 15.24 Luggage Compartment Carpet

<u>Dep</u>	<u>Part Description</u>	<u>Remarks</u>	<u>Option</u>	<u>Part Number</u>	<u>Qty</u>
01	Carpet, centre, luggage compartment	Includes literature pocket & battery cover	Prior to '04 MY	A117V0406J	1
01a	Carpet, centre, luggage compartment	Without literature pocket & battery cover	'04 MY	C117V0052J	1
02	Carpet, LH, luggage compartment			A117V0407K	1
03	Carpet, RH, luggage compartment			A117V0408K	1
04	Button, through carpet			A111B6074F	4
05	Socket, fixes to button			A111B6075F	4
06	Stud, fixes to body			A111B6076F	4
07	Washer, flat 1/8 x 3/8			A075W4001Z	4
08	Pop Rivet, fastner fix			A075W6070Z	4

ELISE

Function Code: 15.24, Page: 1

Updated 1st May 2014



ELISE

15.30

Updated 15th April 2011

Service Parts List **ELISE**



Function Code 15.30 Carpeting & Mats

<u>Dep</u>	<u>Part Description</u>	<u>Remarks</u>	<u>Option</u>	<u>Part Number</u>	<u>Qty</u>
0	Carpet Fixing, male, footwell carpet	Replaces fixing kit	A116V0137F R/B	A117U6008F	4
01	Floor Mat, rubber, driver, RHD	Standard	A117V0030F R/B*	A117V0733S	1
01a	Floor Mat, rubber, passenger, LHD	Long, standard	A117V0032F R/B*	A117V0734F	1
01b	Floor Mat, rubber, passenger, LHD	Short, passenger footrest	A117V0184F R/B*	A117V0734F	1
01c	Floor Mat, alloy effect, driver, RHD	Race Tech Pack	A117V0042F R/B*	A117V0733S	1
01d	Floor Mat, alloy effect, passenger, LHD	Race Tech Pack	A117V0044F R/B*	A117V0734F	1
02	Floor Mat, rubber, passenger, RHD	Long, standard	A117V0029F R/B*	A117V0733S	1
02a	Floor Mat, rubber, passenger, RHD	Short, passenger footrest	A117V0185F R/B*	A117V0733S	1
02b	Floor Mat, rubber, driver, LHD	Standard	A117V0031F R/B*	A117V0734F	1
02c	Floor Mat, alloy effect, passenger, RHD	Race Tech Pack	A117V0041F R/B*	A117V0733S	1
02d	Floor Mat, alloy effect, driver, LHD	Race Tech Pack	A117V0043F R/B*	A117V0734F	1
02e	Floor Carpet Set, RHD	Chassis corrosion programme*	Retro-fit all	A117V0733S	1
02f	Floor Carpet Set, LHD	Chassis corrosion programme*	Retro-fit all	A117V0734S	1
03	Velcro Strip, hook, self adhesive	Also use fixings 10/11	B075U6070V R/B	A111V6020V	0.5m
04	Carpet, rear bulkhead, black, RHD		Sports Tourer Pack	A117V0105K	1
04a	Carpet, rear bulkhead, black, LHD		Sports Tourer Pack	A117V0442K	1
04b	Carpet, rear bulkhead, blue, RHD		Sports Tourer Pack	A117V0106K	1
04c	Carpet, rear bulkhead, blue, LHD		Sports Tourer Pack	A117V0443K	1

ELISE

Function Code: 15.30, Page: 1

Updated 2nd June 2014

Function Code 15.30 Carpeting & Mats

<u>Dep</u>	<u>Part Description</u>	<u>Remarks</u>	<u>Option</u>	<u>Part Number</u>	<u>Qty</u>
04d	Carpet, rear bulkhead, red, RHD		Sports Tourer Pack	A117V0107K	1
04e	Carpet, rear bulkhead, red, LHD		Sports Tourer Pack	A117V0444K	1
04f	Carpet, rear bulkhead, green, RHD		Sports Tourer Pack	A117V0108K	1
04g	Carpet, rear bulkhead, green, LHD		Sports Tourer Pack	A117V0445K	1
04h	Carpet, rear bulkhead, tan, RHD		Sports Tourer Pack	A117V0109K	1
04i	Carpet, rear bulkhead, tan, LHD		Sports Tourer Pack	A117V0446K	1
05	Carpet, floor underseat, black		Sports Tourer Pack	A117V0095K	1
05a	Carpet, floor underseat, blue		Sports Tourer Pack	A117V0097K	1
05b	Carpet, floor underseat, red		Sports Tourer Pack	A117V0099K	1
05c	Carpet, floor underseat, green		Sports Tourer Pack	A117V0101K	1
05d	Carpet, floor underseat, tan		Sports Tourer Pack	A117V0103K	1
06	Carpet, sill, RH, black		Sports Tourer Pack	A117V0112K	1
06a	Carpet, sill, RH, black	Common	'04 MY	A117V0602K	1
06b	Carpet, sill, RH, blue		Sports Tourer Pack	A117V0114K	1
06c	Carpet, sill, RH, blue	Common	'04 MY	A117V0608K	1
06d	Carpet, sill, RH, red		Sports Tourer Pack	A117V0116K	1
06e	Carpet, sill, RH, red	Common	'04 MY	A117V0606K	1
06f	Carpet, sill, RH, tan		Sports Tourer Pack	A117V0120K	1
06g	Carpet, sill, RH, tan	Common	'04 MY	0A117V0612K	1
06h	Carpet, sill, RH, green		Sports Tourer Pack	A117V0118K	1
07	Carpet, sill, LH, black		Sports Tourer Pack	A117V0111K	1

ELISE

Function Code: 15.30, Page: 2

Updated 2nd June 2014

Function Code 15.30 Carpeting & Mats

<u>Dep</u>	<u>Part Description</u>	<u>Remarks</u>	<u>Option</u>	<u>Part Number</u>	<u>Qty</u>
07a	Carpet, sill, LH, RHD, black	Passenger	'04 MY	A117V0603K	1
07b	Carpet, sill, LH, LHD, black	Driver	'04 MY	A117V0604K	
07c	Carpet, sill, LH, blue		Sports Tourer Pack	A117V0113K	1
07d	Carpet, sill, LH, RHD, blue	Passenger	'04 MY	A117V0609K	1
07e	Carpet, sill, LH, LHD, blue	Driver	'04 MY	A117V0610K	1
07f	Carpet, sill, LH, red		Sports Tourer Pack	A117V0115K	1
07g	Carpet, sill, LH, RHD, red	Passenger	'04 MY	A117V0605K	1
07h	Carpet, sill, LH, LHD, red	Driver	'04 MY	A117V0607K	1
07i	Carpet, sill, LH, tan		Sports Tourer Pack	A117V0119K	1
07j	Carpet, sill, LH, RHD, tan	Passenger	'04 MY	A117V0611K	1
07k	Carpet, sill, LH, LHD, tan	Driver	'04 MY	A117V0613K	1
07l	Carpet, sill, LH, green		Sports Tourer Pack	A117V0117K	1
08	Carpet, footwell, driver, RHD, black	'B' level is '04 MY with heel mat	Sports Tourer Pack	A/B117V0078K	1
08a	Carpet, footwell, driver, LHD, black	'B' level is '04 MY with heel mat	Sports Tourer Pack	A/B117V0075K	1
08b	Carpet, footwell, driver, RHD, blue	'B' level is '04 MY with heel mat	Sports Tourer Pack	A/B117V0082K	1
08c	Carpet, footwell, driver, LHD, blue	'B' level is '04 MY with heel mat	Sports Tourer Pack	A/B117V0079K	1
08d	Carpet, footwell, driver, RHD, red	'B' level is '04 MY with heel mat	Sports Tourer Pack	A/B117V0086K	1
08e	Carpet, footwell, driver, LHD, red	'B' level is '04 MY with heel mat	Sports Tourer Pack	A/B117V0083K	1
08f	Carpet, footwell, driver, RHD, green	'B' level is '04 MY with heel mat	Sports Tourer Pack	A/B117V0090K	1
08g	Carpet, footwell, driver, LHD, green	'B' level is '04 MY with heel mat	Sports Tourer Pack	A/B117V0087K	1
08h	Carpet, footwell, driver, RHD, tan	'B' level is '04 MY with heel mat	Sports Tourer Pack	A/B117V0094K	1

ELISE

Function Code: 15.30, Page: 3

Updated 2nd June 2014

Function Code 15.30 Carpeting & Mats

<u>Dep</u>	<u>Part Description</u>	<u>Remarks</u>	<u>Option</u>	<u>Part Number</u>	<u>Qty</u>
08i	Carpet, footwell, driver, LHD, tan	'B' level is '04 MY with heel mat	Sports Tourer Pack	A/B117V0091K	1
09	Carpet, footwell, passenger, RHD, black, half	Double footrest	Sports Tourer Pack	A117V0077K	1
09a	Carpet, footwell, passenger, RHD, black, three quarter	Single footrest	Optional	A117V0413K	1
09b	Carpet, footwell, passenger, RHD, black, full	No footrest	Optional	A117V0411K	1
09c	Carpet, footwell, passenger, LHD, black, half	Double footrest	Sports Tourer Pack	A117V0076K	1
09d	Carpet, footwell, passenger, LHD, black, three quarter	Single footrest	Optional	A117V0412K	1
09e	Carpet, footwell, passenger, LHD, black, full	No footrest	Optional	A117V0410K	1
09f	Carpet, footwell, passenger, RHD, blue, half	Double footrest	Sports Tourer Pack	A117V0081K	1
09g	Carpet, footwell, passenger, RHD, blue, three quarter	Single footrest	Optional	A117V0425K	1
09h	Carpet, footwell, passenger, RHD, blue, full	No footrest	Optional	A117V0423K	1
09i	Carpet, footwell, passenger, LHD, blue, half	Double footrest	Sports Tourer Pack	A117V0080K	1
09j	Carpet, footwell, passenger, LHD, blue, three quarter	Single footrest	Optional	A117V0424K	1
09k	Carpet, footwell, passenger, LHD, blue, full	No footrest	Optional	A117V0422K	1
09l	Carpet, footwell, passenger, RHD, red, half	Double footrest	Sports Tourer Pack	A117V0085K	1
09m	Carpet, footwell, passenger, RHD, red, three quarter	Single footrest	Optional	A117V0417K	1
09n	Carpet, footwell, passenger, RHD, red, full	No footrest	Optional	A117V0415K	1
09o	Carpet, footwell, passenger, LHD, red, half	Double footrest	Sports Tourer Pack	A117V0084K	1
09p	Carpet, footwell, passenger, LHD, red, three quarter	Single footrest	Optional	A117V0416K	1
09q	Carpet, footwell, passenger, LHD, red, full	No footrest	Optional	A117V0414K	1
09r	Carpet, footwell, passenger, RHD, green, half	Double footrest	Sports Tourer Pack	A117V0089K	1
09s	Carpet, footwell, passenger, RHD, green, three quarter	Single footrest	Optional	A117V0421K	1

ELISE

Function Code: 15.30, Page: 4

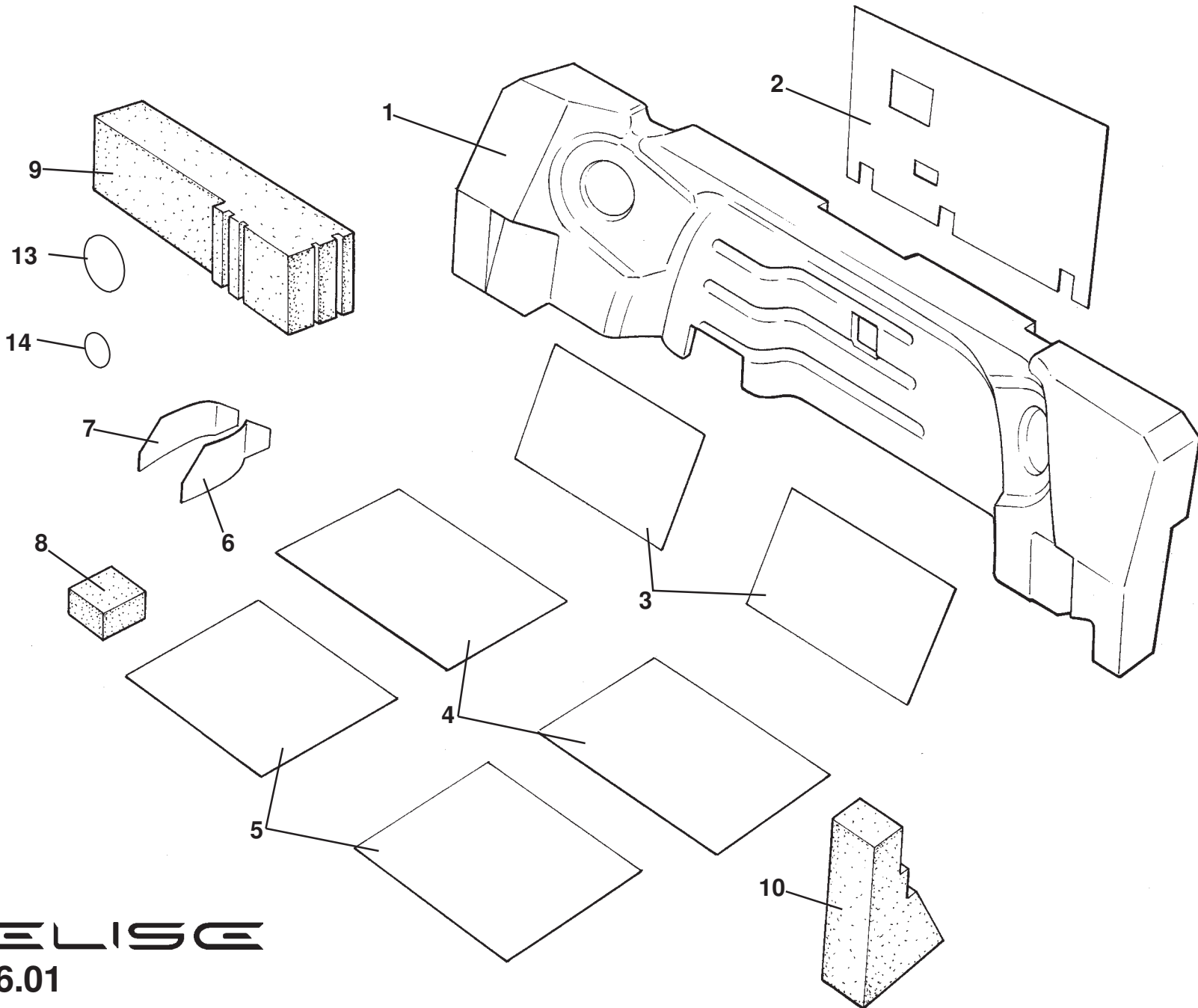
Updated 2nd June 2014

Function Code 15.30 Carpeting & Mats

<u>Dep</u>	<u>Part Description</u>	<u>Remarks</u>	<u>Option</u>	<u>Part Number</u>	<u>Qty</u>
09t	Carpet, footwell, passenger, RHD, green, full	No footrest	Optional	A117V0419K	1
09u	Carpet, footwell, passenger, LHD, green, half	Double footrest	Sports Tourer Pack	A117V0088K	1
09v	Carpet, footwell, passenger, LHD, green, three quarter	Single footrest	Optional	A117V0420K	1
09w	Carpet, footwell, passenger, LHD, green, full	No footrest	Optional	A117V0418K	1
09x	Carpet, footwell, passenger, RHD, tan, half	Double footrest	Sports Tourer Pack	A117V0093K	1
09x	Carpet, footwell, passenger, RHD, tan, three quarter	Single footrest	Optional	A117V0429K	1
09xx	Carpet, footwell, passenger, RHD, tan, full	No footrest	Optional	A117V0427K	1
09y	Carpet, footwell, passenger, LHD, tan, half	Double footrest	Sports Tourer Pack	A117V0092K	1
09yy	Carpet, footwell, passenger, LHD, tan, three quarter	Single footrest	Optional	A117V0428K	1
09z	Carpet, footwell, passenger, LHD, tan, full	No footrest		A117V0426K	1
10	Carpet Fixing, male, footwell carpet		A116V0137F R/B	A117U6008F	4
11	Carpet Fixing, female, footwell carpet	Replaces fixing kit	A116V0137F R/B	A117U6009F	4
12	Velcro Loop, carpet to chassis	Items: 4, 6 & 7 only	Sports Tourer Pack	A082V6088V	5.5M
13	Velcro Hook, chassis to carpet	As above, plus footwells only	Sports Tourer Pack	A082V6058V	8M
14	Finisher, sill carpet, RHD, RH & LH; LHD, RH	Long, 1 off, LHD	'04 MY	B117U0430F	2
15	Finisher, sill carpet, LHD, LH	Short	'04 MY B117U0431F R/B	C117U0431F	1
16	Pop Rivet, finisher to chassis		'04 MY	A075W6094Z	8

* See Service Bulletin 2004/14

0200



ELISE
16.01

Updated 24th January 2013

Service Parts List **ELISE**



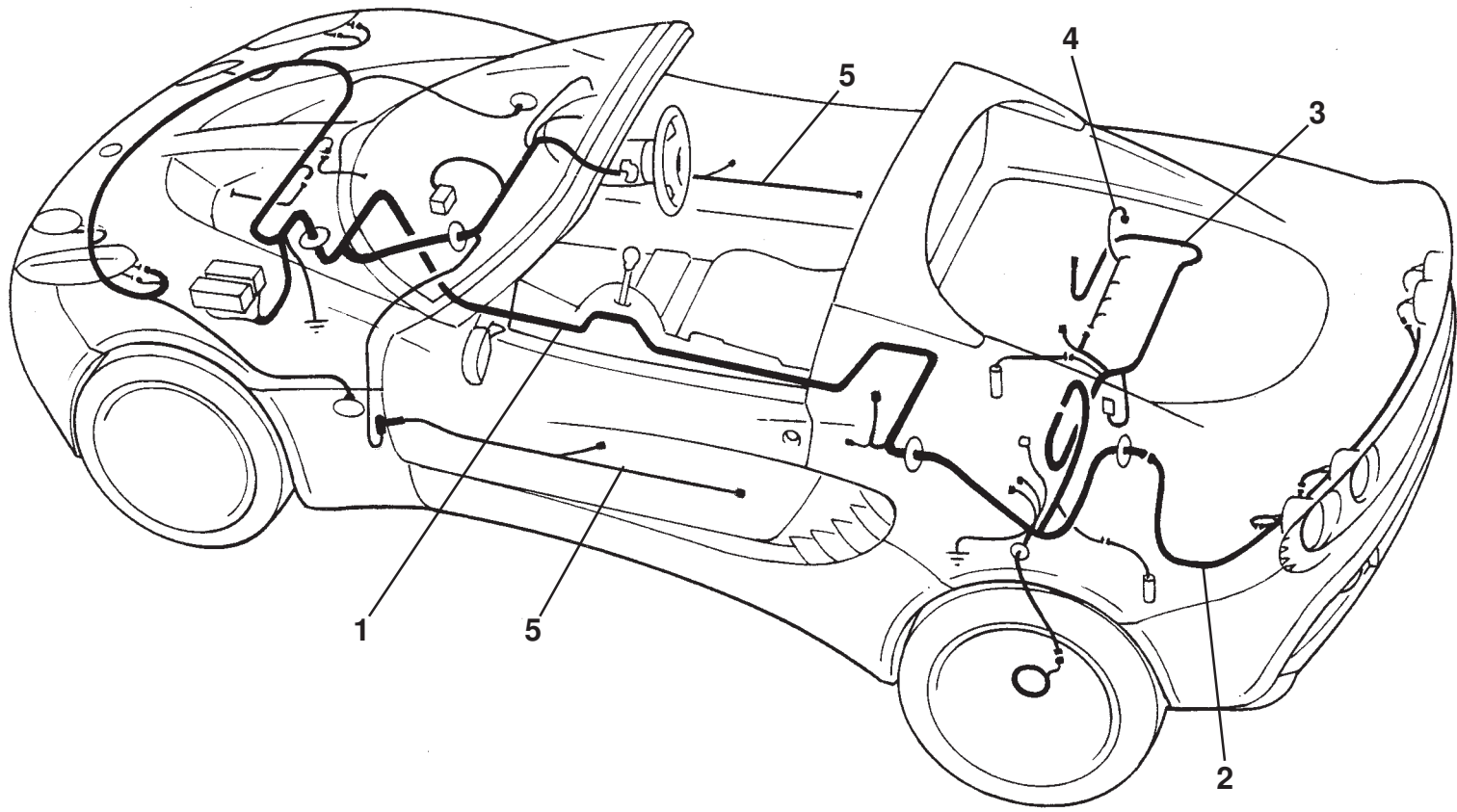
Function Code 16.01 Passenger Compartment Sound Insulation

<u>Dep</u>	<u>Part Description</u>	<u>Remarks</u>	<u>Option</u>	<u>Part Number</u>	<u>Qty</u>
01	NVH Foam Panel, bulkhead		'04 MY	B117V0512J	2
02	Sheet Damping, bulkhead		'04 MY	A117V0511F	1
03	NVH Mat, tank bay front		'04 MY	A116V0120F	2
04	Sheet Damping, seats		'04 MY	A116V0309F	2
05	Sheet Damping, footwell		'04 MY	A117B0558F	2
06	Sheet Damping, gearchange, LH		'04 MY	A117V0513F	1
07	Sheet Damping, gearchange, RH		'04 MY	A117V0514F	1
08	NVH Foam, steering column		'04 MY	A117V0532F	1
09	NVH Foam, fascia panel		'04 MY	A116V0351F	2
10	NVH Foam 'A' pillar lower		'04 MY	A117V0531F	2
11	Insulation, footwell floor, LH. RHD	Not illustrated	'04 MY	A117V0619K	1
11a	Insulation, footwell floor, RH. RHD	Not illustrated	'04 MY	A117V0620K	1
12	Insulation, footwell floor, LH. LHD	Not illustrated	'04 MY	A117V0617K	1
12a	Insulation, footwell floor, RH. LHD	Not illustrated	'04 MY	A117V0618K	1
13	Blanking Patch, scuttle beam holes, 38mm dia,		'04 MY	A116A0184F	8
14	Blanking Patch, scuttle beam holes, 20mm dia.		'04 MY	A111V0206F	9
15	Tape, Tessaband 4661, sill holes covering	Not illustrated	'04 MY	A116V6008F	1.2M

ELISE

Function Code: 16.01, Page: 1

Updated 24th January 2013



ELISE
17.01

Updated 15th April 2011

Service Parts List **ELISE**



Function Code 17.01 Harnesses, Leads

<u>Dep</u>	<u>Part Description</u>	<u>Remarks</u>	<u>Option</u>	<u>Part Number</u>	<u>Qty</u>
01	Harness, main, heater	Standard car	Meta alarm	G117M0042F	1
01a	Harness, main, heater	Standard car	Cobra alarm	K117M0042F	1
01b	Harness, main, AC & VVC	All with Cobra alarm	AC cars; 111/111S	K117M0043F	1
01c	Harness, main, heater		'04 MY, standard	B117M0115F	1
01d	Harness, main, AC or VVC		'04 MY, AC cars; 111/111S	B117M0116F	1
02	Harness, rear			C117M0004F	1
02a	Harness, rear		'04 MY	C117M0020F	1
03	Harness, engine		Standard A117M6036S R/B	A117M6098S	1
03a	Bracket, fuseholder mounting	Was P/O A117M6036S	Common	A117M6099S	1
03b	Harness, engine, VVC with heater	Grey label near maxi fuse, YSB ID on label = YSB001401	111/111S	A117M6092S	1
03c	Harness, engine, VVC with heater	Grey label near maxi fuse, YSB ID on label = YSB001402	'04 MY, 111S heater	A117M6096S	1
03d	Harness, engine, VVC with heater	Grey label near maxi fuse, YSB ID on label = YSB002270	'04 MY, 111S heater	A117M6097S	1
03e	Harness, engine, VVC with AC	Grey label near maxi fuse, YSB ID on label = YSB001391	111/111S A117M6061S R/B	A117M6093S	1
03f	Harness, engine, VVC with AC	Grey label near maxi fuse, YSB ID on label = YSB002260	'04 MY, 111S AC	A117M6094S	1
03g	Harness, engine, VVC with AC	Grey label near maxi fuse, YSB ID on label = YSB001392	'04 MY, 111S AC	A117M6095S	1

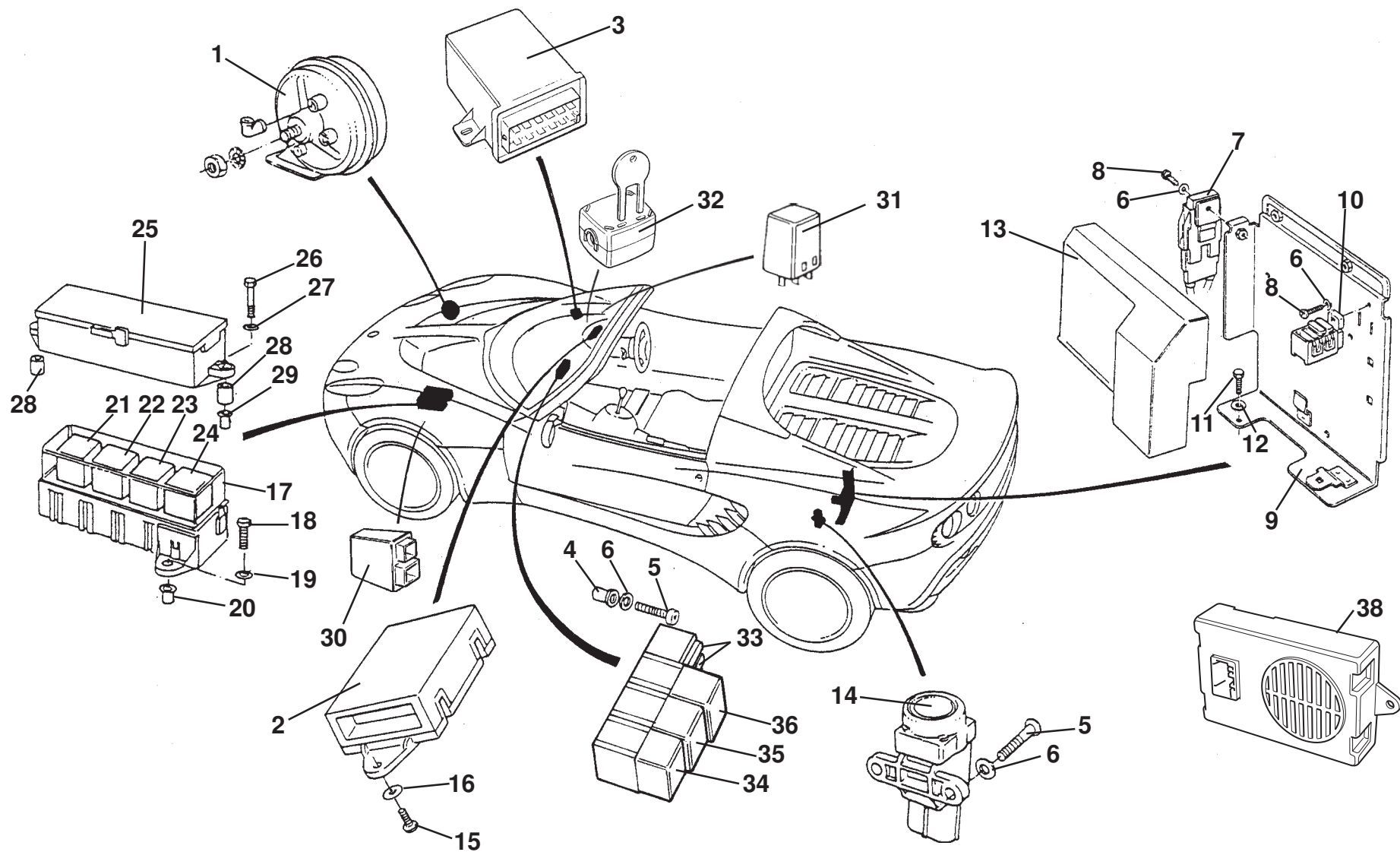
ELISE

Function Code: 17.01, Page: 1

Updated 1st July 2013

Function Code 17.01 Harnesses, Leads

<u>Dep</u>	<u>Part Description</u>	<u>Remarks</u>	<u>Option</u>	<u>Part Number</u>	<u>Qty</u>
04	Harness, fuel injectors/CMP sensor		Common	A117M6046S	1
05	Harness, door		'04 MY, CDL/electric windows	B117M0118F	2
06	Harness, headlamp link	Not illustrated		A117M0069F	2
07	Cable Tie & Cradle, 'fir tree', harness to radiator housing	Not illustrated, For use with 6mm holes		A116K6020F	6



ELISE

17.03

Updated 16th July 2012

Service Parts List **ELISE**



Function Code 17.03 Horn, Inertia Switch, Modules, Fuses & Relays

<u>Dep</u>	<u>Part Description</u>	<u>Remarks</u>	<u>Option</u>	<u>Part Number</u>	<u>Qty</u>
01	Horn 'Low ' Note			A100M6031F	1
02	Switch Controller		B117M0008F R/B	C117M0008F	1
03	Module, central door locking		'04 MY, CDL	A116M6048F	1
04	Pulsert, M5			A111W6539F	2
05	Screw, M5 x 16, pan hd. pozi.			A082W5107F	2
06	Washer, flat, M5 x 10 x 1.0			A075W4011Z	7
07	Maxi Fuse, 80A			A117M6023F	1
08	Screw, M5 x 12, pan hd., fuse holders fix.			A075W5085Z	2
09	Electrics/ECM Mounting Plate	For ECM & fixings see 17.06	B117M0031F R/B	C117M0051F	1
10	Plastic Clip, fuse holder retention			A111M6020F	1
11	Screw, M6 x 16, flg. hex. hd. plate to subframe.	Replaces screw & washer	A075W1028Z R/B	A918W5208F	2
12	Washer, flat, M6 x 15	R/B flange head screw, item 11	A075W4015Z R/B	A918W5208F	2
13	Cover, ECM/Electrics protection		B117M0025F R/B	C117M0025F	1
14	Inertia switch			A082M6598F	1
15	Screw, M4 x 12, pan hd. pozi. black, controller to bracket			A100W5143F	2
16	Washer, flat, M4 x 9 x 0.8			A082W4099F	2
17	Cover, relay station			A111M6077S	1
18	Screw, M6 pozi, relay box to wheelarch			A075W5089Z	4

ELISE

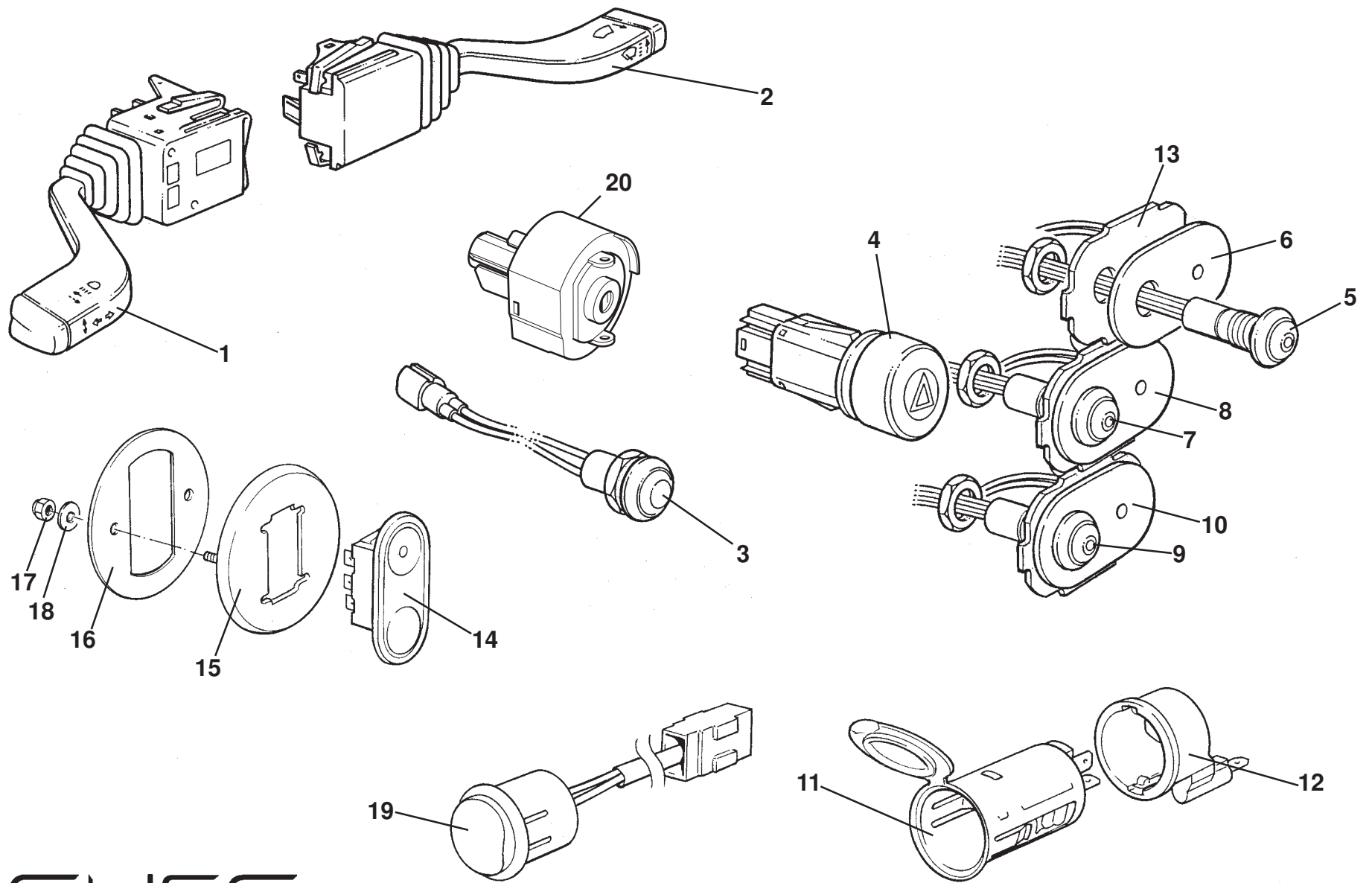
Function Code: 17.03, Page: 1

Updated 16th July 2012

Function Code 17.03 Horn, Inertia Switch, Modules, Fuses & Relays

<u>Dep</u>	<u>Part Description</u>	<u>Remarks</u>	<u>Option</u>	<u>Part Number</u>	<u>Qty</u>
19	Washer, flat, M6, relay boxes to wheelarch			A075W4015Z	4
20	Rawlnut, M6, relay boxes to wheelarch			A075W6140F	4
21	Relay Single Contact Changeover 30A	Horn		C079M6141F	1
22	Relay Single Contact Changeover 30A	Cooling fan, not used		C079M6141F	1
23	Relay Single Contact Changeover 30A	Dip beam, not used		C079M6141F	1
24	Relay Double Contact 2 x 15A	Main beam		B082M6182F	1
25	Cover, fusebox			A111M6115S	1
26	Bolt, M5 x 45, fuse box to wheelarch			A082W2106F	2
27	Washer flat, M5, fuse box to wheelarch			A075W4011Z	2
28	Spacer, fitted to fuse box			A111U0368F	2
29	Rawlnut, M5, fuse box to wheelarch			A075W6074F	2
30	Fan Control Module	AC cars, 111/111S	A117M0038F R/B	B117M0038F	1
31	Module, rear fog lamp			B111M0067F	1
32	Ferrite Clamp/Key, electromagnetic suppressor	Clamps to instument harness*	Cars with Shurlock pack	A117M6054F	1
33	Fuse, 20A, yellow, window lift		'04 MY, electric windows	A082M6249F	2
34	Module, wiper delay			A082M6457F	1
35	Module, flasher Unit			A083M6303F	1
36	Relay Single Contact Changeover 30A	Inertia switch	'04 MY, CDL	C079M6141F	1
38	Module, seat belt buzzer		Japan, Australia only	B082M4866F	1
39	Bridging Link, front relay station	Not illustrated	AC cars	A117M0108J	1

*For Suppression Kit, see 17.27



ELISE
17.05

Updated 24th June 2011

Service Parts List **ELISE**



Function Code 17.05 Interior Switches, Auxiliary Power Socket

<u>Dep</u>	<u>Part Description</u>	<u>Remarks</u>	<u>Option</u>	<u>Part Number</u>	<u>Qty</u>
01	Column Switch, LH, indicators/dip/flash			A100M6048F	1
02	Column Switch, RH, windscreen wipe/wash			A100M6049F	1
03	Switch, panel light dimmer/trip reset			B117M0048F	1
04	Switch, hazard			A340M6016F	1
05	Switch, sidelamps, green tell-tale			A117M0055F	1
06	Decal, sidelamps graphic, RHD/LHD			A117M0005F	1
07	Switch, headlamps, green tell-tale			A117M0055F	1
08	Decal, headlamps graphic, RHD			A117M0006F	1
08a	Decal, headlamps graphic, LHD			A117M0045F	1
09	Switch, rear fog lamp, yellow tell-tale			A117M0056F	1
10	Decal, rear fog lamp graphic, RHD			A117M0007F	1
10a	Decal, rear fog lamp graphic, LHD			A117M0046F	1
11	Auxiliary Power Socket			A117M6024F	1
12	Bezel, power socket, green			A082M6665F	1
13	Switch Panel Backlight Assembly, blue	Three linked illumination panels	A117M0047F R/B	B117M0047F	1
13a	Switch Panel Backlight Assembly, orange	Three linked illumination panels	'04 MY	A117M0125F	1
14	Switch, window lift		'04 MY	A117M6064F	2
15	Bezel, switch to door trim	Includes studs	'04 MY	A117U0344J	2

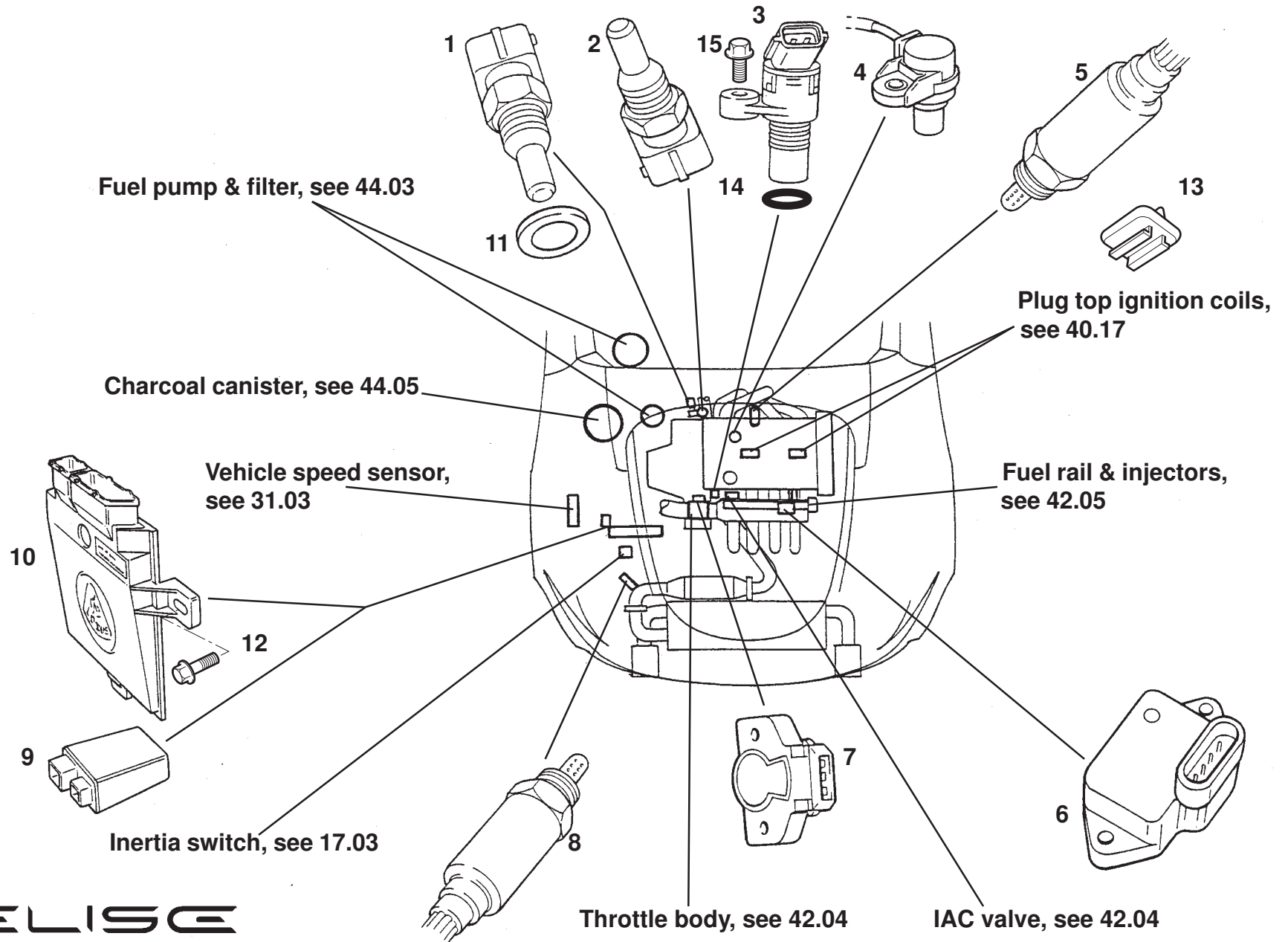
ELISE

Function Code: 17.05, Page: 1

Updated 24th June 2011

Function Code 17.05 Interior Switches, Auxiliary Power Socket

<u>Dep</u>	<u>Part Description</u>	<u>Remarks</u>	<u>Option</u>	<u>Part Number</u>	<u>Qty</u>
16	Backplate, switch bezel		'04 MY	A117U0345K	2
17	Nyloc Nut, M4, backplate to trim panel		'04 MY	A075W3049F	4
18	Washer, flat, M4 x 9, backplate to trim panel		'04 MY	A082W4099F	4
19	Switch, central door locking		'04 MY	A117M0124F	1
19a	Blanking Grommet, CDL switch aperture	Not illustrated	'04 MY, non CDL	A116W6714F	1
20	Ignition Switch	Not illustrated, part of upper steering column		A111M6108S	1



ELISE
17.06

Updated 24th January 2013

Service Parts List **ELISE**



Function Code 17.06 Engine Management & Sensors

<u>Dep</u>	<u>Part Description</u>	<u>Remarks</u>	<u>Option</u>	<u>Part Number</u>	<u>Qty</u>
01	Engine Coolant Temperature Sensor, ECM (horizontal)	Black housing		A117E6017S	1
02	Engine Temperature Sender, gauge (vertical)	Blue housing, non functioning		A111E6047S	1
03	Crankshaft Position Sensor			A117E6037S	1
04	Camshaft Position (CMP) Sensor	Order link lead, item 04a	A117E6027S R/B	A117E6107S	1
04a	Link Lead, camshaft position sensor	For sensor A117E6107S		A117E6108S	1
04b	Camshaft Position (CMP) Sensor, VVC		111/111S	A117E6095S	1
05	Oxygen Sensor (O2 sensor) pre catalyst			A117E6007F	1
06	Inlet Air Temp./Manifold Absolute Pressure (TMAP) Sensor			A117E6072S	1
07	Throttle Position Sensor			A111E6064S	1
08	Oxygen Sensor (O2 sensor) post catalyst			A117E6007F	1
09	Multi-Function Relay Unit			A111M6024F	1
10	Electronic Control Module (ECM)	AC commonisation	B117M0039F R/B	C117M0039F	1
10a	Electronic Control Module (ECM)		111/111S	A117M0109F	1
10b	Electronic Control Module (ECM)		Sport 135R	ALS2M0009J	1
10c	Electronic Control Module (ECM)		111/111S Mexico only	A117M0140K	1
10d	Electronic Control Module (ECM)	Standard car VIN: '05MY 4916 on	C4BP gearbox	A117E0073K	1
11	Washer, coolant sensor + oil temp sensor, VVC unit			A111E6058S	2
12	Screw, M6 x 16, flg. hex. hd., ECM to plate	Replaces screw & washer	A075W1029Z R/B	A918W5208F	2

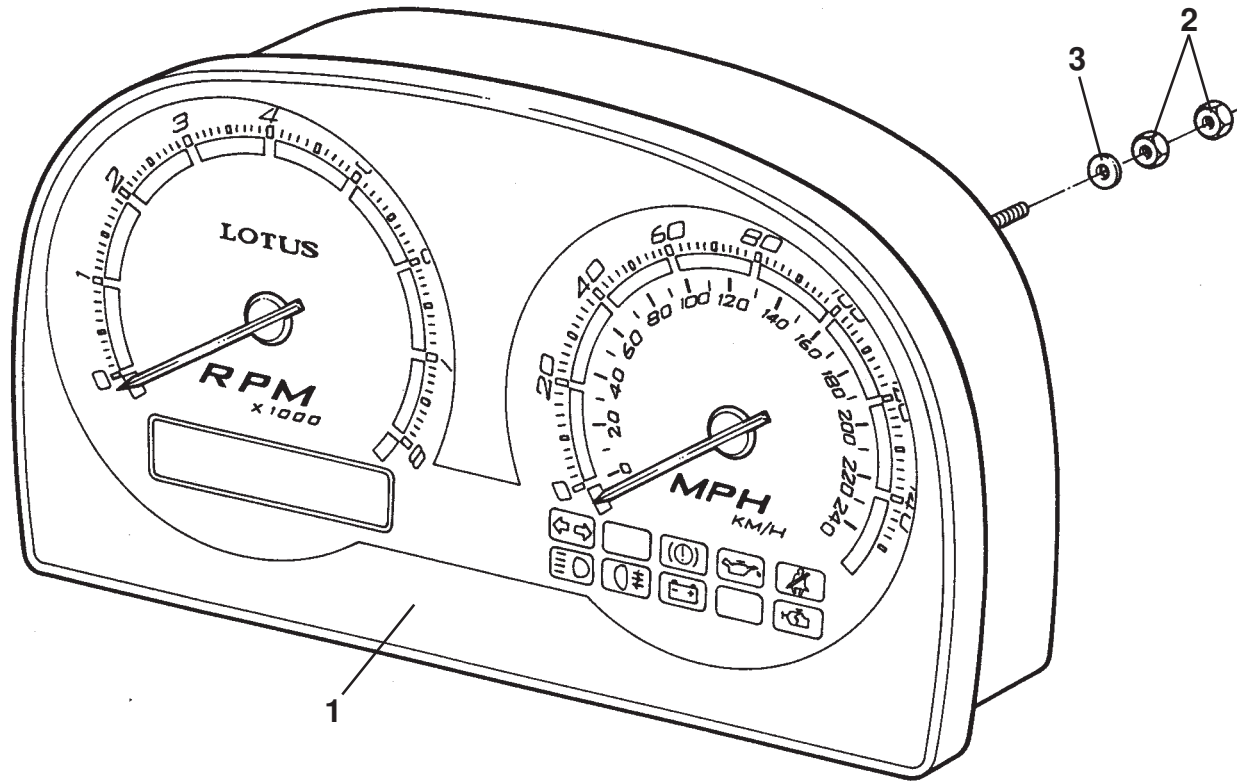
ELISE

Function Code: 17.06, Page: 1

Updated 24th January 2013

Function Code 17.06 Engine Management & Sensors

<u>Dep</u>	<u>Part Description</u>	<u>Remarks</u>	<u>Option</u>	<u>Part Number</u>	<u>Qty</u>
13	Clip, O2 sensor connector fix.			A117E6058F	1
14	'O Ring, CMP sensor to head			A117E6028S	1
15	Screw, CMP sensor to head			A117E6029S	2
16	Oil Temperature Sensor, VVC control unit	Not illustrated, coolant not included A111E6058S	111/111S	A111E6377S	1



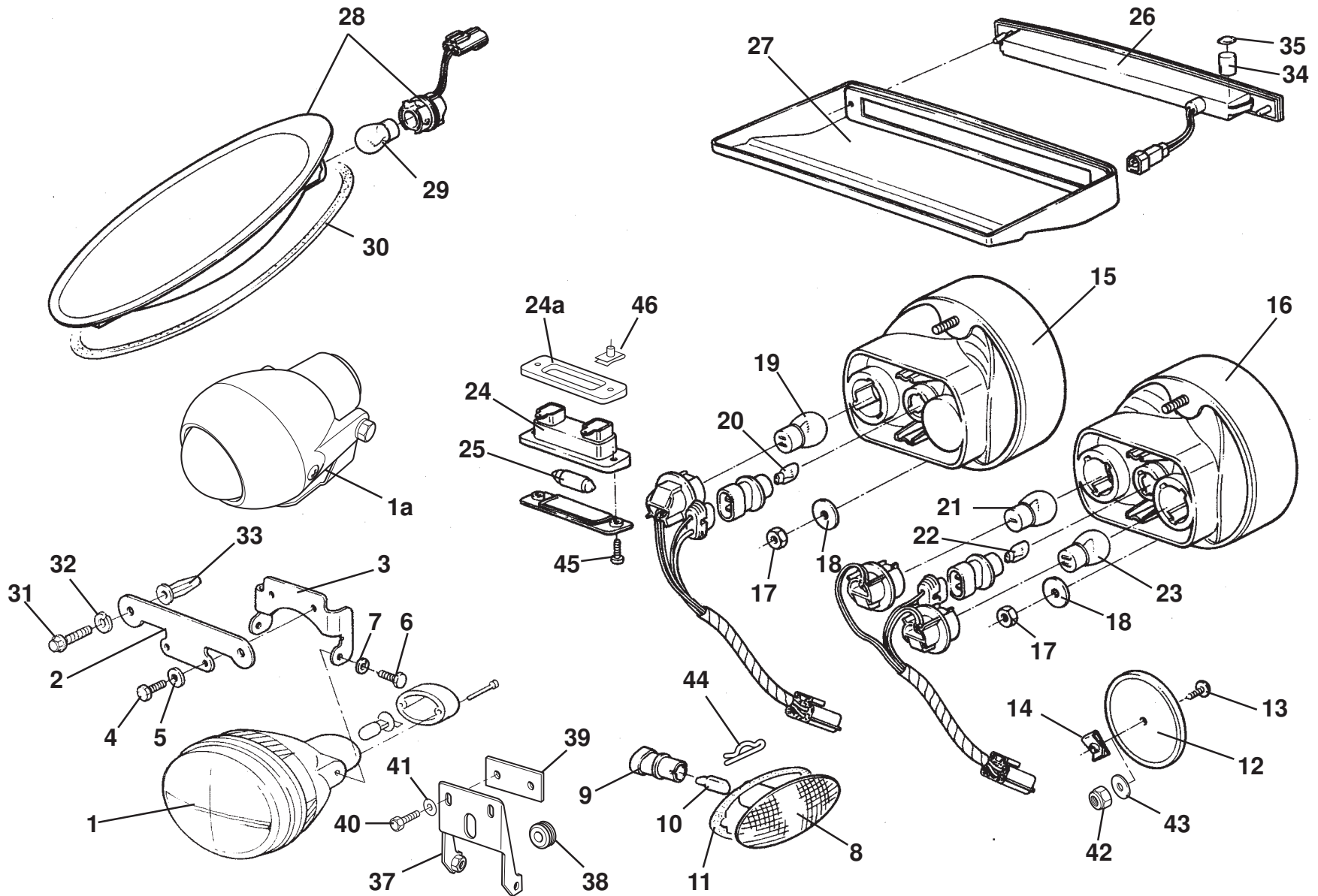
ELISE

17.07

Updated 15th April 2011

Function Code 17.07 Instruments, Tell Tales, & Displays

<u>Dep</u>	<u>Part Description</u>	<u>Remarks</u>	<u>Option</u>	<u>Part Number</u>	<u>Qty</u>
01	Instrument Pack, MPH, Shurlock		Cars with Shurlock pack	A117N0001F	1
01a	Instrument Pack, Km/h, Shurlock		Cars with Shurlock pack	A117N0002F	1
01b	Instrument Pack Retrofit Kit, MPH, Shurlock	Use when replacing Stack pack	A117M0009F R/B	A117N0003S	1
01c	Instrument Pack Retrofit Kit, Km/h, Shurlock	Use when replacing Stack pack	A117M0010F R/B	A117N0004S	1
01d	Instrument Pack, MPH, Shurlock	Orange backlight	'04 MY	A117M0123F	1
01e	Instrument Pack, Km/h, Shurlock	Orange backlight	'04 MY	A117M0122F	1
02	Nut, M4, pack to brackets	Also see 14.10		A075W3019F	8
03	Washer, flat, M4	Also see 14.10		A082W4099F	4



ELISE
17.11

Updated 3rd April 2017

Service Parts List **ELISE**



Function Code 17.11 Exterior Lamps, Except Headlamps

<u>Dep</u>	<u>Part Description</u>	<u>Remarks</u>	<u>Option</u>	<u>Part Number</u>	<u>Qty</u>
01	Driving Lamp, eleptical lens, 80mm wide	Crash structure mounted	Factory fiited	A340M6005F	2
01a	Driving Lamp, spherical lens, 40mm dia.	Clamshell mounted	Dealer fitted	A117M6021F	2
02	Bracket, driving lamp mounting to crash structure		Factory fiited	A117M0074F	2
03	Bracket, driving lamp to crash structure bracket		Factory fiited	A117M0075F	2
04	Screw, M4 x 10, hex. hd., bracket to crash structure bracket			A100W1100F	4
05	Washer, shakeproof, M5, bracket to crash structure bracket			A075W4086F	4
06	Screw, M5 x 8, hex. hd., bracket to lamp			A117W1173F	4
07	Washer, spring, M5, bracket to lamp			A082W4097F	4
08	Lamp, side repeater		Prior to '04 MY	A117M6003F	2
08a	Lamp, side repeater		'04 MY	A116M6002F	2
09	Bulb Holder, side repeater		Prior to '04 MY	A111M6009F	2
10	Bulb, 12v 5w, amber, side repeater	Part of bulb & fuse kit		LOTAC05345	2
11	Gasket, side repeater			A111U0074F	2
12	Reflector	Also on rear of doors		A117M6026F	2
13	Screw, M5 x 10, pozi, reflector to grille		Standard car	A111W5223F	2
13a	Screw, M5 x 20, button hd., reflector to grille		111/111S	A082W7173F	2
14	Spirenut, M5, reflector to grille		Standard car	B100W6372F	2

ELISE

Function Code: 17.11, Page: 1

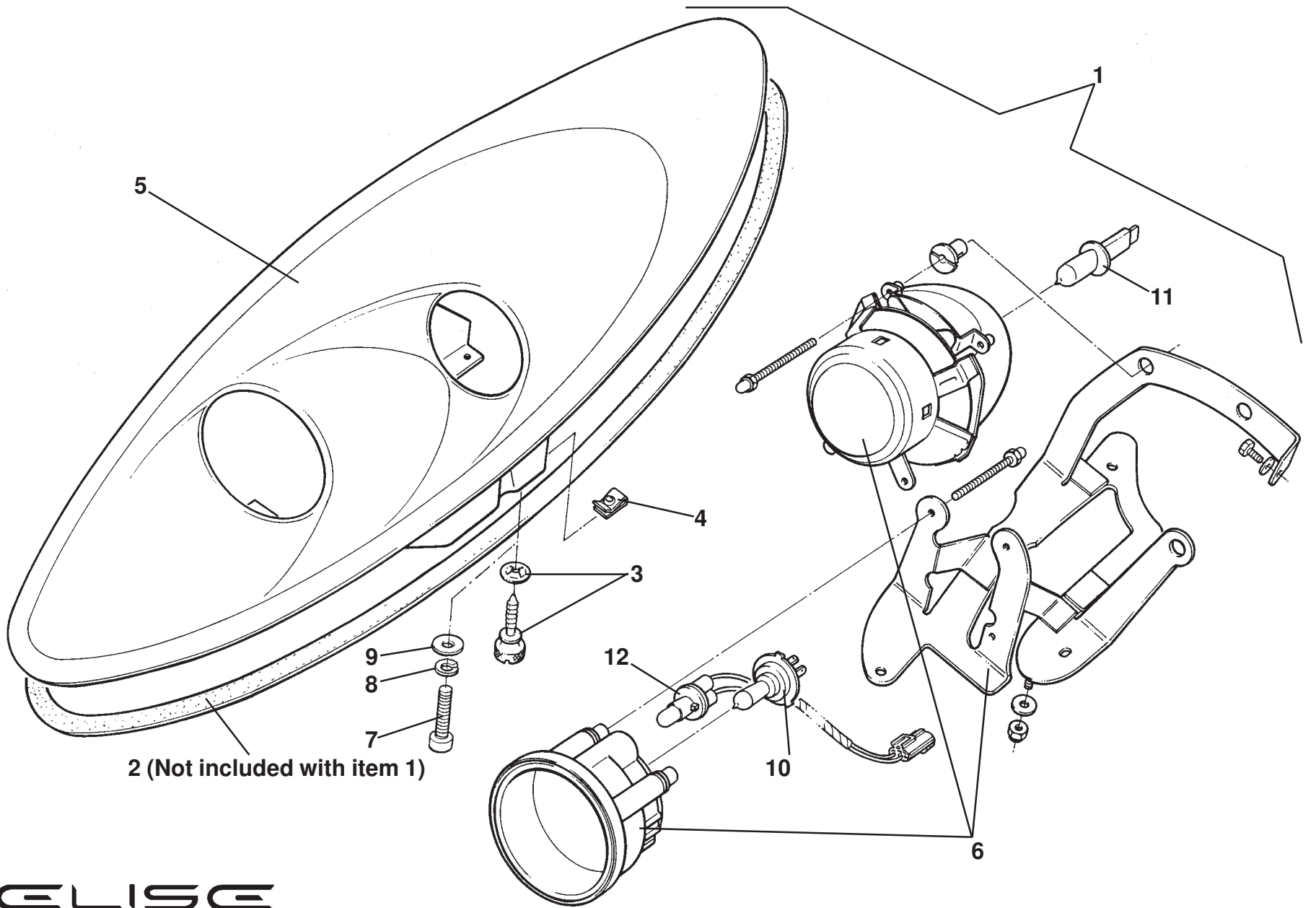
Updated 24th January 2013

Function Code 17.11 Exterior Lamps, Except Headlamps

<u>Dep</u>	<u>Part Description</u>	<u>Remarks</u>	<u>Option</u>	<u>Part Number</u>	<u>Qty</u>
15	Lamp, inner, rear fog, reverse	Incl. bulb holders & harness		A117M0012F	2
16	Lamp, outer, tail. turn, stop/tail	Incl. bulb holders & harness		A117M0011F	2
17	Nyloc Nut, thin, lamp to body			A100W3113F	8
18	Washer, flat, M5 x 18 x 1.5 S/S, lamp to body			B075W4009Z	8
19	Bulb, 12v 4/21w, tail/rear fog,	Part of bulb & fuse kit		LOTAC05345	1
20	Bulb, 12v 21w, reverse			A340M6042S	1
21	Bulb, 12v 5w, tail	Part of bulb & fuse kit		LOTAC05345	2
22	Bulb, 12v 21w, direction indicator			A340M6042S	1
23	Bulb, 12v 4/21w, stop/tail	Part of bulb & fuse kit		LOTAC05345	1
24	Lamp, license plate			A117M6028F	2
24a	Plinth, license plate lamp			B117V0622F	1
25	Bulb, 12v 5w, license plate			A083M6292F	2
26	Lamp, CHMSL			A116M0016F	1
27	Housing, CHMSL	Bonded to cabin bulkhead		A117M0076F	1
28	Lamp, front direction indicator, LH, w/harness	See service Bulletin 2004/03	A117M0018F R/B	B117M0018F	1
28a	Lamp, front direction indicator, RH, w/harness	See service Bulletin 2004/03	A117M0017F R/B	B117M0017F	1
29	Bulb, 12v 21w, amber, front direction indicator			A111M6091S	2
30	Seal, lamp to clamshell, LH			A117M0087F	1
30a	Seal, lamp to clamshell, RH			A117M0086F	1
31	Screw, M6 x 20, hex. flg. hd., bracket to crash structure	Black finish		A082W5206Z	4
32	Washer, spring, M6, bracket to crash structure			A075W4035Z	4

Function Code 17.11 Exterior Lamps, Except Headlamps

<u>Dep</u>	<u>Part Description</u>	<u>Remarks</u>	<u>Option</u>	<u>Part Number</u>	<u>Qty</u>
33	Jacknut, M6, bracket to crash structure			A075W3031Z	4
34	Spacer, CHMSL alignment			A111J6027F	2
35	Bumper, self adhesive, CHMSL alignment	Fits to spacer top		A111M6046F	2
36	Tape, double side, spacer to CHMSL	Not illustrated		B075U6070V	As req.
37	Bracket, driving lamp mounting to clamshell	For item: 1a	Dealer fitted	A117U0247F	2
38	Grommet, driving lamp leads thro' body			A075U6043Z	2
39	Nut Plate, bracket to clamshell	For item: 1a	Dealer fitted	A117U0248F	2
40	Screw, bracket to clamshell	For item: 1a	Dealer fitted		4
41	Washer, bracket to clamshell	For item: 1a	Dealer fitted		4
42	Washer, flat, 3/16" x 0.75", reflector to grille		111/111S	A075W4009Z	2
43	Nyloc Nut, M5, reflector to grille		111/111S	A100W3113F	2
44	'R' Clip, side repeater fixing		Prior to '04 MY	A075W6175F	2
45	Screw No. 6 x 3/4 flg pozi, license plate lamp			A082W5022F	4
46	Spire Nut No.6			A075W6014Z	4



ELISE

17.13

Updated 2nd October 2017

Service Parts List **ELISE**



Function Code 17.13 Headlamps

<u>Dep</u>	<u>Part Description</u>	<u>Remarks</u>	<u>Option</u>	<u>Part Number</u>	<u>Qty</u>
01	Headlamp Assembly, LH, RHD, excluding seal	Includes cover, lamps & bracket		A117M0014F	1
01a	Headlamp Assembly, RH, RHD, excluding seal	Includes cover, lamps & bracket		A117M0013F	1
01b	Headlamp Assembly, LH, LHD, excluding seal	Includes cover, lamps & bracket		A117M0016F	1
01c	Headlamp Assembly, RH, LHD, excluding seal	Includes cover, lamps & bracket		A117M0015F	1
02	Seal, cover to clamshell			A117M0088F	2
03	Screw & Retainer Assy., cover to body			A117M6062S	6
04	Spirenut, cover to body	Use with item 3		A117M6082S	6
04a	Spirenut, M6, cover to body	Use with item 7		A117W3181F	6
05	Headlamp Cover, LH, RHD			A117M0097S	1
05a	Headlamp Cover, RH, RHD			A117M0096S	1
05b	Headlamp Cover, LH, LHD			A117M0099S	1
05c	Headlamp Cover, RH, LHD			A117M0098S	1
06	Lamps & Bracket Assembly, LH, RHD			A117M0089S	1
06a	Lamps & Bracket Assembly, RH, RHD			A117M0090S	1
06b	Lamps & Bracket Assembly, LH, LHD			A117M0091S	1
06c	Lamps & Bracket Assembly, RH, LHD			A117M0092S	1
07	Screw, M6 x 25, cap hd., cover to body			A111W7170F	6
08	Washer, spring, M6, cover to body			A075W4035Z	6

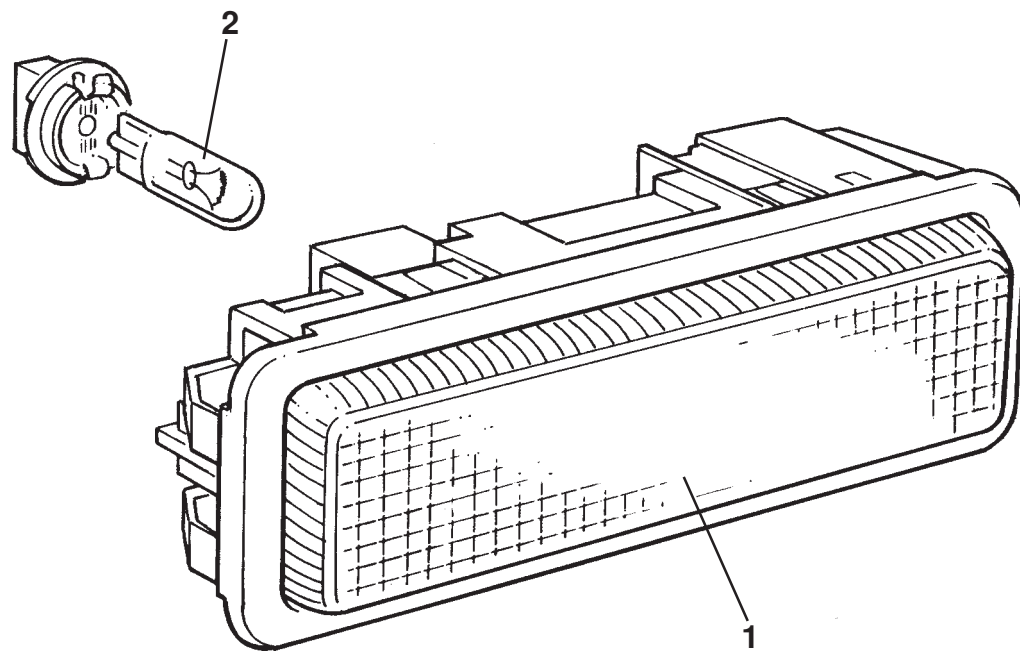
ELISE

Function Code: 17.13, Page: 1

Updated 2nd October 2017

Function Code 17.13 Headlamps

<u>Dep</u>	<u>Part Description</u>	<u>Remarks</u>	<u>Option</u>	<u>Part Number</u>	<u>Qty</u>
09	Washer, flat, M6 x 15, S/S, black, cover to body			A082W4133F	6
10	Bulb, main beam, 55w, H7	Part of bulb & fuse kit		LOTAC05345	2
11	Bulb, dip beam, 55w, H1	Part of bulb & fuse kit		LOTAC05345	2
12	Bulb, side/park, 5w, W5W	Part of bulb & fuse kit		LOTAC05345	2
13	Ring Embellisher, headlamp mask	Not illustrated	Accessory	A117B0721F	2

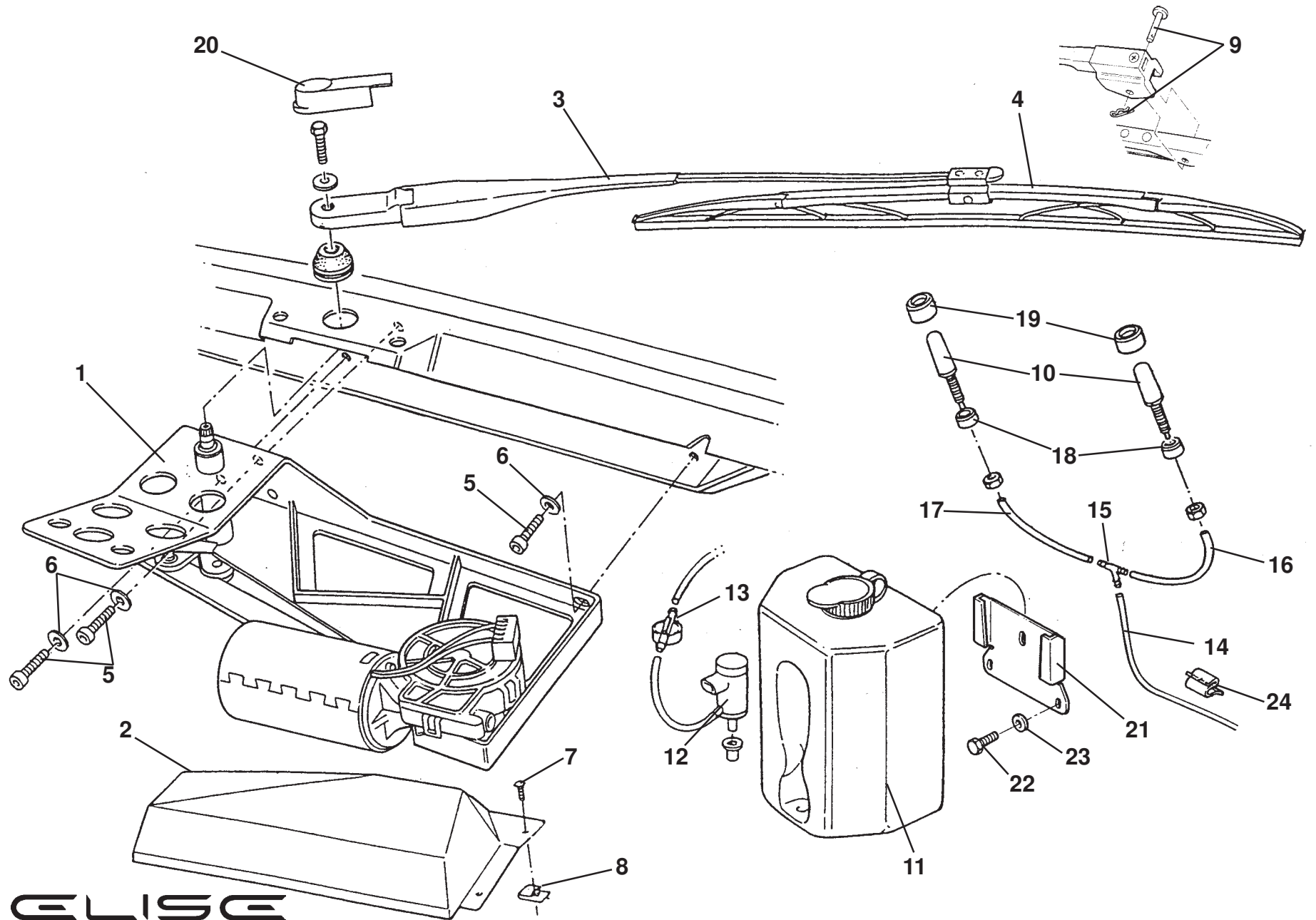


ELISE
17.17

Updated 15th April 2011

Function Code 17.17 Interior Lamps

<u>Dep</u>	<u>Part Description</u>	<u>Remarks</u>	<u>Option</u>	<u>Part Number</u>	<u>Qty</u>
01	Interior Lamp			A082M6644F	1
02	Bulb, interior lamp, 5W	Part of bulb & fuse kit		LOTAC05345	1



ELISE
17.21

Updated 15th April 2011

Service Parts List **ELISE**



Function Code 17.21 Windscreen Wiper Motor, Wipers & Washers

<u>Dep</u>	<u>Part Description</u>	<u>Remarks</u>	<u>Option</u>	<u>Part Number</u>	<u>Qty</u>
01	Wiper Drive Assembly, RHD	Fabricated bracket (as Elise 1) if unavalible order 01d	Prior to April '02, approx.	C111M0034F	1
01a	Wiper Drive Assembly, LHD	Fabricated bracket (as Elise 1) if unavalible order 01e	Prior to April '02, approx.	B111M0033F	1
01b	Wiper Drive Assembly, RHD*	'Pressed' bracket	From April '02, approx.	A117M0104F	1
01c	Wiper Drive Assembly, LHD*	'Pressed' bracket	From April '02, approx.	A117M0103F	1
01d	Wiper Drive Assembly and fitting kit, RHD	Kit to replace wiper drive with fabricated bracket		A117M0104S	1
01e	Wiper Drive Assembly and fitting kit, LHD	Kit to replace wiper drive with fabricated bracket		A117M0103S	1
02	Cover, wiper motor, RHD			A111U0172K	1
02a	Cover, wiper motor, LHD			A111U0173K	1
03	Wiper Arm Assembly	Pin fixing to blade (as Elise 1)	Prior to April '02, approx.	A116M0038F	1
03a	Wiper Arm Assembly	Hook fixing to blade	From April '02, approx.	A117M0105F	1
04	Wiper Blade Assembly, 24"	Pin fixing to arm (as Elise 1)	Prior to April '02, approx.	A111M6125F	1
04a	Wiper Blade Assembly, 24"	Hook fixing to arm	From April '02, approx.	A117M6044F	1
05	Screw, M8 x 20, cap hd., bracket to scuttle			A111W7141F	3
06	Washer, M8, spring			A075W4036Z	3
07	Screw, No.10 x 1/2", pozi., cover fix.			A075W5040Z	2
08	Spire Nut No. 8, cover, wiper motor fix.			A075W6016Z	2

ELISE

Function Code: 17.21, Page: 1

Updated 1st October 2018

Function Code 17.21 Windscreen Wiper Motor, Wipers & Washers

<u>Dep</u>	<u>Part Description</u>	<u>Remarks</u>	<u>Option</u>	<u>Part Number</u>	<u>Qty</u>
09	Pin and Clip Set, wiper blade to arm	Not used on later arm/blade joint (as Elise 1)	Prior to April '02, approx.	A111M6107S	1
10	Windscreen Washer Jet			A082M6369F	2
11	Washer Bottle and Pump Assembly	In front services bay	Prior to '04 MY	A111M6066F	1
11a	Washer Bottle and Pump Assembly	In engine bay not available see Elise 04 parts list 17.21 item 19a & SB 2014/02	'04 MY	B116M0039F	1
12	Washer Pump		Prior to '04 MY	A111M6047S	1
13	Non Return Valve, washer fluid			A100M6062H	1
14	Tube, bottle to 'T' piece	Cut to fit	B111M0054K	A050M6164V	As req,
15	'T' piece, washers			A111M6045K	1
16	Tube, 'T' piece to jet	Cut to fit	B111M0056K	A050M6164V	As req.
17	Tube, 'T' piece to jet	Cut to fit	B111M0055K	A050M6164V	As req.
18	Spacer, washer jet			A111M6046K	2
19	Sleeve, washer jet	Bonded over jet & spacer		A111M0065F	1
20	Pivot Cover, wiper arm			A082M6380F	1
21	Bracket, washer bottle, front services bay		A117M0019F R/B	B117P0082F	1
21a	Bracket, washer bottle, engine bay	Not illustrated	'04 MY	A117P0140F	1
22	Setscrew, M6 x 16, hex. hd., bracket to chassis			A075W1028Z	3
23	Washer, flat, M6 x 18			B082W4018F	3
24	Clip, hose to wiper motor bracket			A079W6185F	1
25	Flange Nut, M8 x 1.25, arm to spindle	Later drive assembly		A111W3154F	1

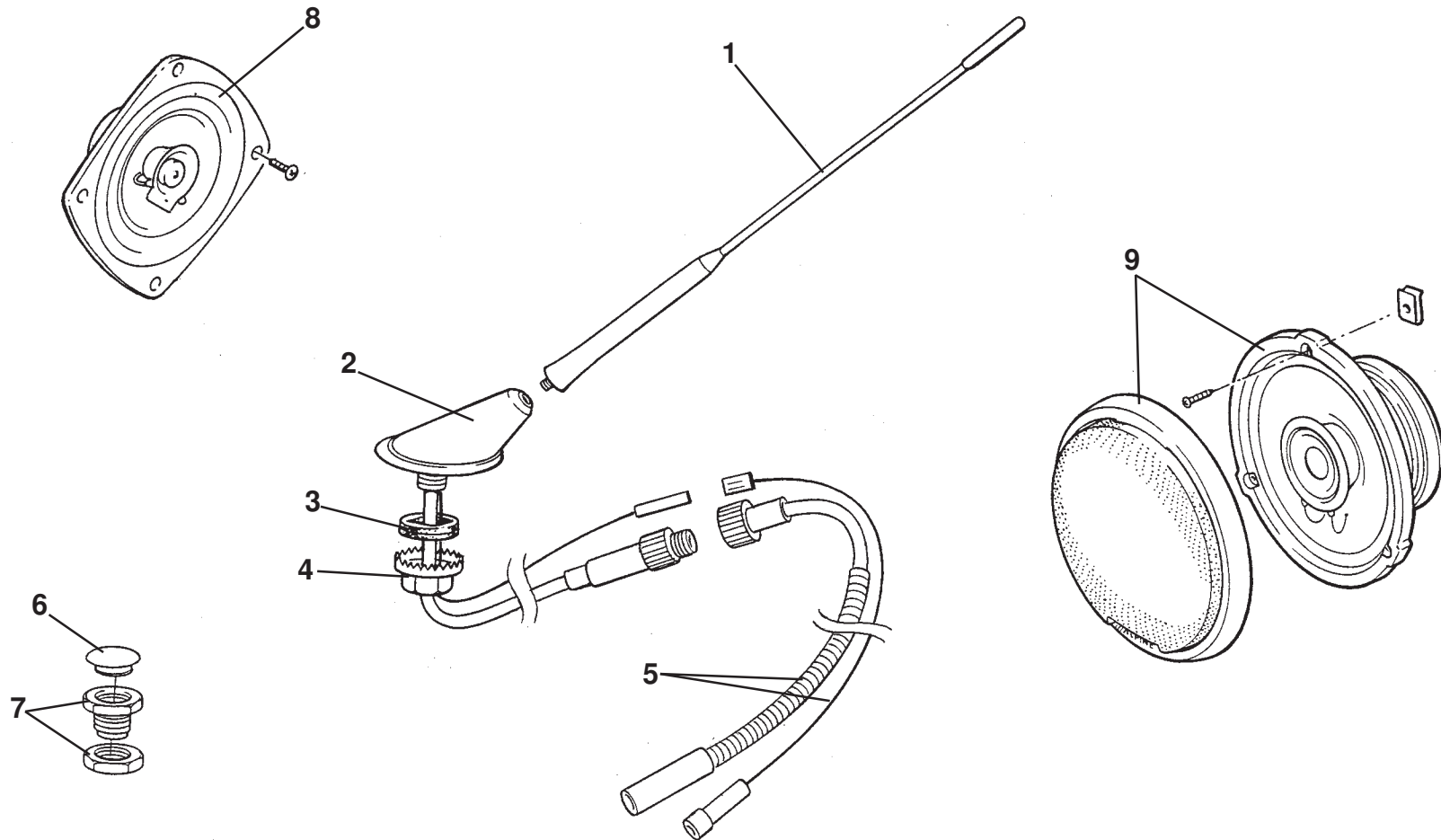
ELISE

Function Code: 17.21, Page: 2

Updated 1st October 2018

Function Code 17.21 Windscreen Wiper Motor, Wipers & Washers

<u>Dep</u>	<u>Part Description</u>	<u>Remarks</u>	<u>Option</u>	<u>Part Number</u>	<u>Qty</u>
26	Valve, non return	Not illus. rear mounted reservoir	'04 MY	A100M6062H	1
		*Note if unavailable refer to 11MY parts list C120T0325J			



ELISE
17.27

Updated 15th April 2011

Function Code 17.27 In Car Entertainment

<u>Dep</u>	<u>Part Description</u>	<u>Remarks</u>	<u>Option</u>	<u>Part Number</u>	<u>Qty</u>
01	Aerial Mast		Sports Tourer/Race Tech	A116M6023F	1
02	Aerial Base		Sports Tourer/Race Tech	A082M6534F	1
03	Rubber Washer, mounting nut		Sports Tourer/Race Tech	A111M6033F	1
04	Nut, aerial base to engine cover	A082M6555F R/B	Sports Tourer/Race Tech	A116M6013F	1
05	Cable, aerial co-axial extension		Sports Tourer/Race Tech	B117M0073F	1
06	Blanking Plug, aerial	When aerial not fitted	Base car	A111B6037F	1
06a	Blanking Plug, aerial	When aerial not fitted	'04 MY	A117U6010F	1
07	Nut, blanking plug	When aerial not fitted	Base car	A111B6038F	1
08	Speaker Kit, front, Alpine SPE-1002	A117M6006F R/B	4 speaker audio system	B117M6006F	1
08a	Speaker Kit, front, Eurotek		4 speaker audio system	A117M6039F	1
08b	Speaker Kit, front, Clarion		'04 MY	A117M6076F	1
09	Speaker Kit, rear, Eurotek	Alpine, A117M6007F R/B	2 & 4 speaker audio system	A117M6040F	1
09a	Speaker Kit, rear, Clarion		'04 MY	A117M6077F	1
10	Foam, self adhesive, 200 x 200 x 40mm	Not illustrated, on rear bulkhead behind speaker	Sports Tourer/Race Tech	A117M6041F	2
12	Cable, co-axial, radio to extension cable	Not illustrated, in LH sill		A117M6031F	1
13	Radio/CD Player, Clarion	Not illustrated	B117M6035F R/B	C117M6035F	1
13a	Radio/CD Player, Clarion	Not illustrated	'04 MY	A117M6078F	1
13b	Radio/CD Player, Clarion	Not illustrated	'04 MY Japan	A117M6086F	1
13c	Radio/CD Player, Clarion	Not illustrated, for autochanger	'04 MY Japan	A117M6087F	1
13d	Radio/CD Player, Blaupunkt, San Remo	Not illustrated	'04 MY	A116M6032F	1

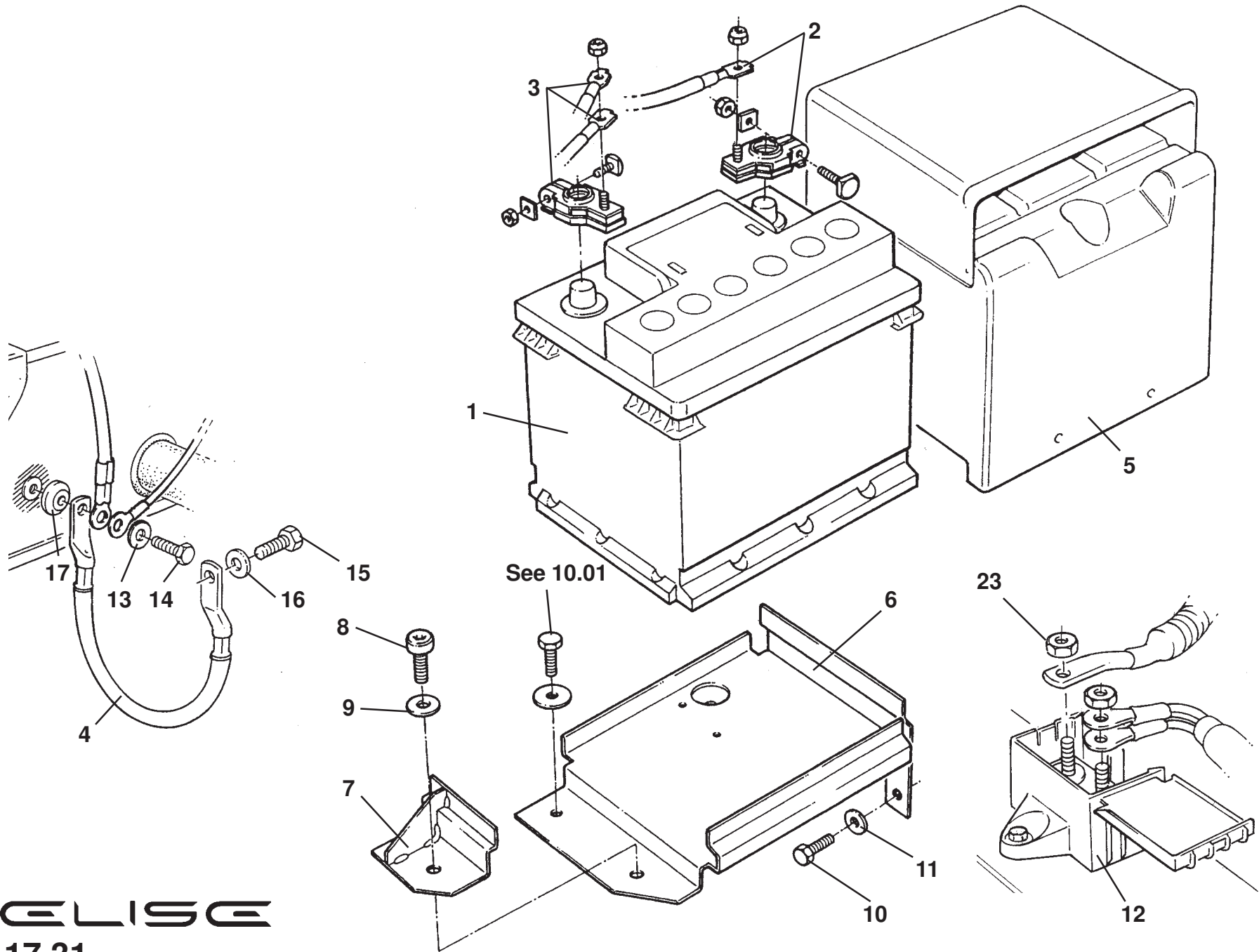
ELISE

Function Code: 17.27, Page: 1

Updated 15th April 2011

Function Code 17.27 In Car Entertainment

<u>Dep</u>	<u>Part Description</u>	<u>Remarks</u>	<u>Option</u>	<u>Part Number</u>	<u>Qty</u>
13e	Radio/CD Player, Blaupunkt, CD33 Lausanne	Not illustrated	'04 MY	A120M6003F	1
14	Radio/Cassette Player, Clarion	Not illustrated	'04 MY	A117M6072F	1
15	CD Multichanger, Clarion	Not illustrated	'04 MY	A117M6074F	1
15a	CD Multichanger, Clarion	Not illustrated	'04 MY Japan	A117M6088F	1
15b	Bracket, CD multichanger mounting	Not illustrated	'04 MY	A117M0126F	1
15c	Cable, CD multichanger	Not illustrated	'04 MY	A117M6075F	1
15d	Extension Cable, CD multichanger	Not illustrated	'04 MY	A117M6083F	1
16	Aluminium Foil, engine cover	Not illustrated, 'T' shaped	'04 MY	A117U0448F	1
17	Aluminium Foil, additional, engine cover	Not illustrated	'04 MY	A117U6068V	75mm
18	Earth Braid, radio suppression	Not illustrated	'04 MY	A111M0132F	1
19	Radio Interference Suppression Kit	Not illustrated	A117X0001S R/B	B117X0001S	1
20	Aluminium Foil, engine cover rear	Not illustrated, part of suppression kit	Accessory only	A117B6040F	1
21	Aluminium Foil, engine cover sides/centre	Not illustrated, part of suppression kit	Accessory only	A117B6041F	3
22	Ferrite Clamp, electromagnetic suppressor	Not illustrated, not used in 'B' level kit	Accessory only	A117M6054F	1
23	Aluminium Foil, spark plug cover	Not illustrated, 'B' level only	Accessory only	A117U6068V	2.5M
24	Earth Braid, engine lid foil	Not illustrated, 'B' level only	Accessory only	A111M0132F	1



ELISE
17.31

Updated 3rd November 2014

Service Parts List **ELISE**



Function Code 17.31 Battery, Clamps, & Cables

<u>Dep</u>	<u>Part Description</u>	<u>Remarks</u>	<u>Option</u>	<u>Part Number</u>	<u>Qty</u>
01	Battery, Yuasa 063/1	Replaces Tungstone battery	A117M6017F R/B	A117M6034F	1
01a	Battery, heavy duty, cold climate		'04 MY or accessory	A116M6014F	1
01b	Battery, competition		MOTORSPORT	A117M6020F	1
02	Battery Cable, negative, to chassis	Part of battery harness, item 3	B117M0020F R/B	C117M0020F	1
03	Battery Cables, positive, to starter motor & binding post	Battery harness	B117M0020F R/B	C117M0020F	1
04	Cable, chassis to gearbox			A111M0023F	1
05	Battery Cover/Handbook Holder		'04 MY	A117U0343J	1
06	Battery Tray		B117M0033F R/B	C117M0033F	1
07	Retaining Clamp, battery to tray		B117M0037F R/B	C117M0037F	1
07a	Retainng Clamp, battery, competition to tray	Used with items: 19 to 23		A117M0036F	1
08	Screw, M8 x 16, cap hd., clamp fix.			A111W7125F	1
09	Washer, spring, M8			A075W4036Z	1
09	Washer, spring, M8			A075W4036Z	1
10	Screw, M6 x 20, hex. hd. tray to bulkhead			A111W1155F	1
11	Washer, flat, M6 x 12 x 1.4, tray to bulkhead			A075W4013Z	1
12	Binding Post Assembly			A340M6007F	1
13	Screw, M8 x 20, hex hd., cable to chassis	Front & rear earth points		A075W2038Z	2
14	Washer, flat, M8 x 16.6 x 1.4			A075W4020Z	2

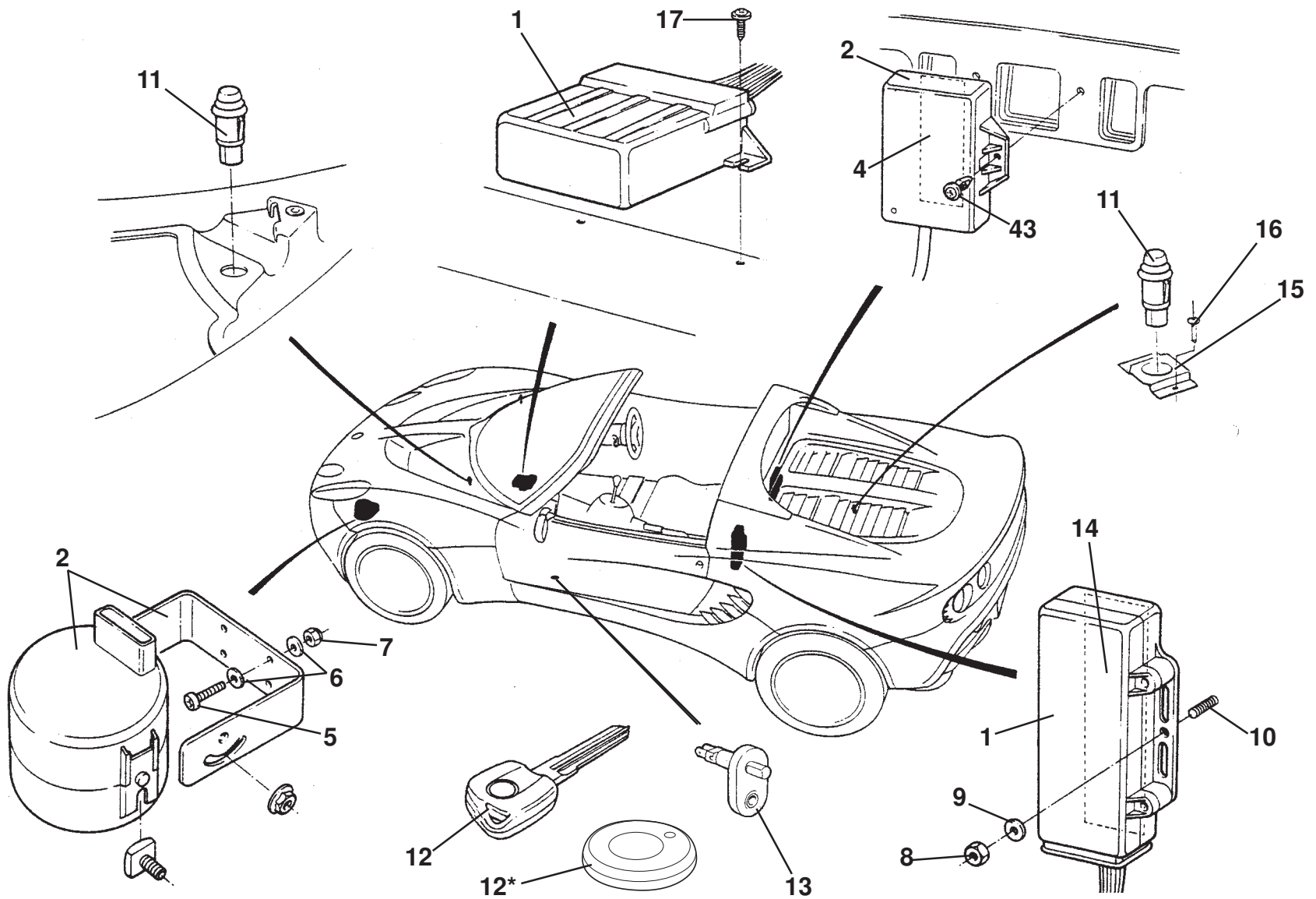
ELISE

Function Code: 17.31, Page: 1

Updated 3rd November 2014

Function Code 17.31 Battery, Clamps, & Cables

<u>Dep</u>	<u>Part Description</u>	<u>Remarks</u>	<u>Option</u>	<u>Part Number</u>	<u>Qty</u>
15	Bolt, M10 x 20, hex. hd., cable to engine			A075W1079F	1
16	Washer, flat, M10 x 20.5 x 1.8			A075W4024Z	1
17	Cup Washer, cable to chassis	Front & rear earth points		A111M0039F	2
19	Stud, M6, battery clamp fixing	Not illustrated, for competition battery	MOTORSPORT	B085M4167F	2
20	Washer, flat, M6, battery clamp fixing	Not illustrated, for competition battery	MOTORSPORT	A075W4015Z	2
21	Spacer, alloy, battery clamp fixing	Not illustrated, for competition battery	MOTORSPORT	A907E0696K	2
21	Washer, spring, M6, battery clamp fixing	Not illustrated, for competition battery	MOTORSPORT	A075W4035Z	2
22	Nut, M6 , battery clamp fixing	Not illustrated, for competition battery	MOTORSPORT	A075W3020Z	2
23	Nut, M8			A075W3021Z	2



ELISE
17.33

Updated 15th April 2011

Service Parts List **ELISE**



Function Code 17.33 Security Alarm System, Parking Sensors & Camera

<u>Dep</u>	<u>Part Description</u>	<u>Remarks</u>	<u>Option</u>	<u>Part Number</u>	<u>Qty</u>
01	Meta Alarm Controller/Immobiliser Kit	Includes keys		A117M6013F	1
02	Microwave Sensor & Siren Kit		Optional upgrade	A117M6016F	1
03	Plastic fastener, sensor to bulkhead			A111W6534F	2
04	Double Sided Tape, sensor to bulkhead			B075U6070V	As req.
05	Setscrew. M6 x 16, pan hd. pozi., bracket fix.			A076W5090F	4
06	Washer, flat, M6., bracket fix.			A075W4015Z	8
07	Nyloc Nut, M6., bracket fix.			A075W3009Z	4
08	Nut, M4, immobiliser to bulkhead			A075W3019F	2
09	Washer, flat, M4 x 9 x 0.8, immobiliser to bulkhead			A082U4099F	2
10	Stud Plate, immobiliser to bulkhead	Bonded to bulkhead		A117M0052F	1
11	Microswitch, alarm activation, front/rear lids			A111M6037F	2
12	Transmitter Fob, programmed, without key blade *See below	Order using form A4-A-5303A		A340M6041S	2
13	Microswitch, alarm activation, doors			A111M6035F	2
14	Double Sided Tape, immobiliser to bulkhead			B075U6070V	As req.
15	Bracket, rear switch mounting			A117B0336F	1
16	Pop Rivet, bracket to boot gutter			A075W6090Z	2
17	Screw, M4 x 16, pan hd. pozi., black, controller to chassis			A082W5141F	2

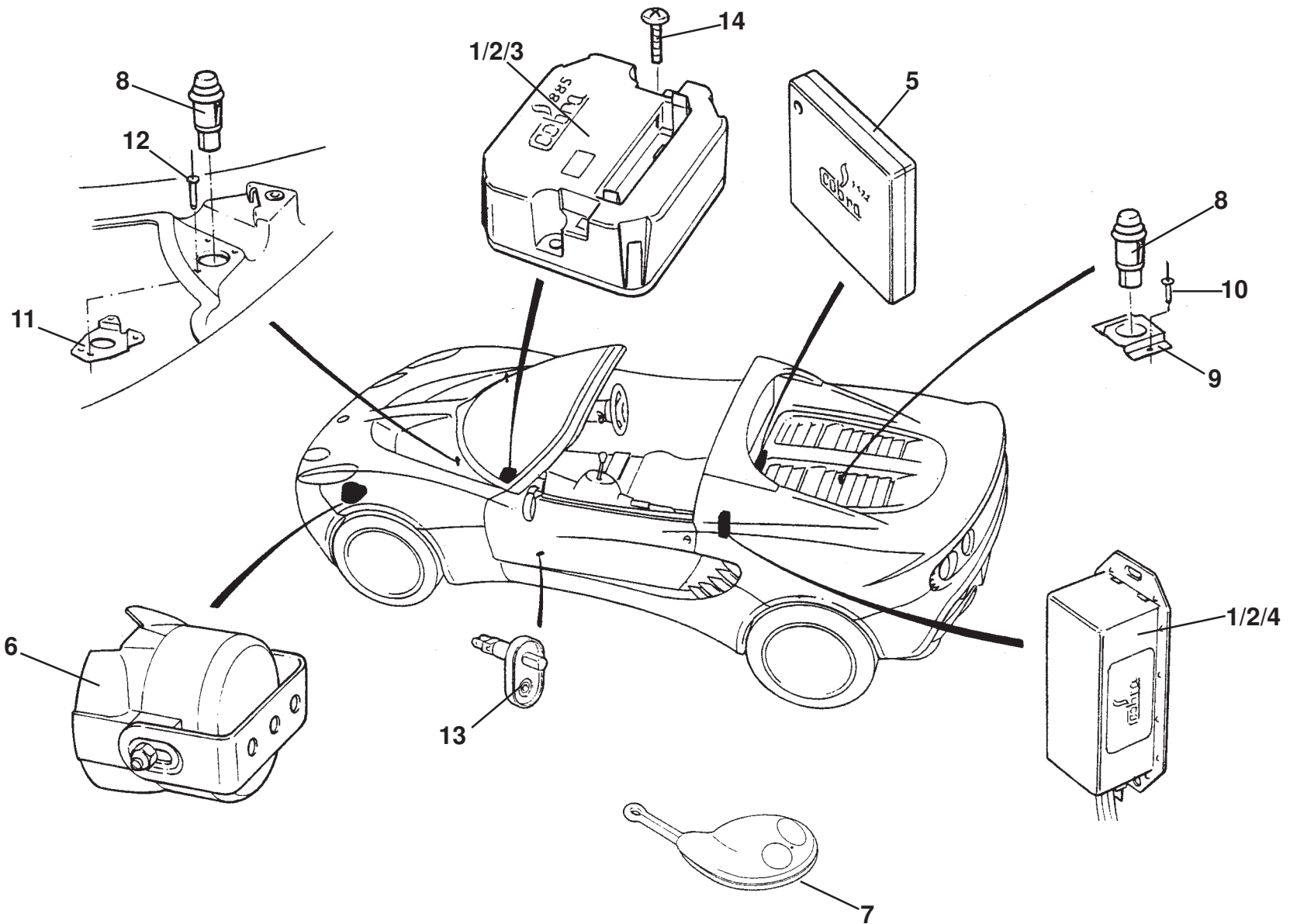
ELISE

Function Code: 17.33, Page: 1

Updated 3rd November 2014

Function Code 17.33 Security Alarm System, Parking Sensors & Camera

<u>Dep</u>	<u>Part Description</u>	<u>Remarks</u>	<u>Option</u>	<u>Part Number</u>	<u>Qty</u>
		NOTE: For full information on all Lotus Security Sytems, see LSL483g			
		*Original key with remote in key head no longer available, see parts bulletin LPB2010/33. See 10.17 for keys			



ELISE

17.33a

Updated 15th April 2011

Service Parts List **ELISE**



Function Code 17.33a Security Alarm System, Cobra

<u>Dep</u>	<u>Part Description</u>	<u>Remarks</u>	<u>Option</u>	<u>Part Number</u>	<u>Qty</u>
01	Cobra Alarm Kit, 8185	Comprises: controller, immobiliser & keys	Standard*	A117M6037F	1
02	Cobra Alarm Kit, 8186, with CDL	Comprises: controller, immobiliser, keys, plus items 5/6	Optional upgrade*, A117M6063F R/B	B117M6063F	1
03	Controller, 8186 system	Programmed for siren & microwave sensor	Optional upgrade	A117M6049S	1
04	Immobiliser		All cars	A117M6050S	1
05	Microwave Sensor		Optional upgrade	A117M6048S	1
06	Siren		Optional upgrade	A117M6047S	1
07	Transmitter Key, casing and components		All cars	A111M6100S	2
07a	Transmitter Key, casing		All cars	A142M6000S	2
08	Microswitch, alarm activation		Optional upgrade	A111M6037F	2
09	Bracket, rear switch mounting		Optional upgrade	A117B0336F	1
10	Pop Rivet, rear bracket to boot gutter		Optional upgrade	A075W6090Z	2
11	Bracket, front switch mounting		Optional upgrade	A117B0318F	2
12	Pop Rivet, domed, black, front brackets to clamshell		Optional upgrade	A082W6512F	6
13	Microswitch, alarm activation, doors	Also for courtesy lamp		A111M6035F	2
14	Screw, No.8 x 3/8", pan hd. pozi, controller to chassis			A075W5031Z	2
15	Bracket/Shield, siren	Not illustrated		A117M6091S	1

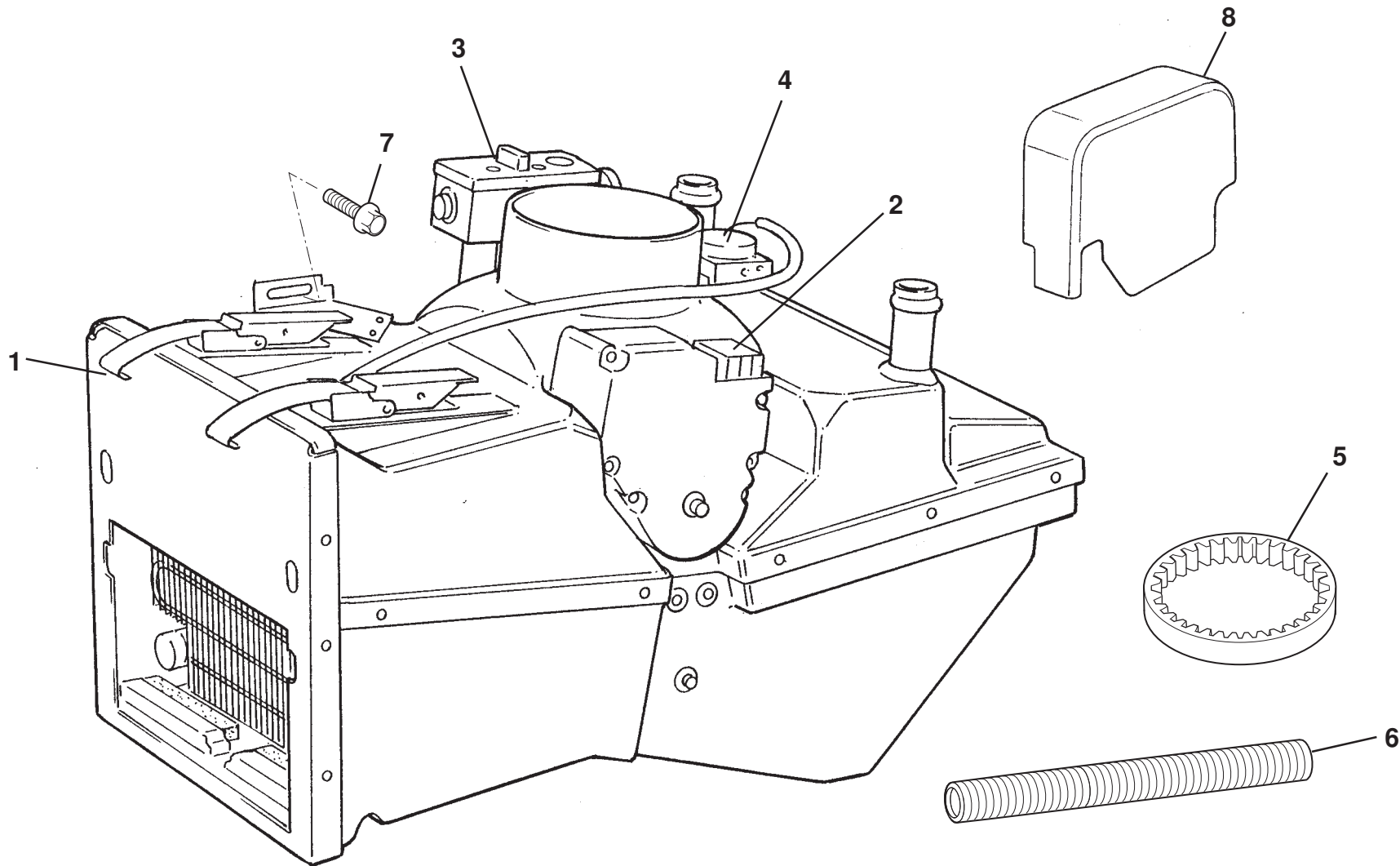
ELISE

Function Code: 17.33a, Page: 1

Updated 1st December 2014

Function Code 17.33a Security Alarm System, Cobra

<u>Dep</u>	<u>Part Description</u>	<u>Remarks</u>	<u>Option</u>	<u>Part Number</u>	<u>Qty</u>
		*NOTE: For confirmation of alarm type contact Technical Service			
		NOTE: For full information on all Lotus Security Systems, see LSL483g			



ELISE

18.01

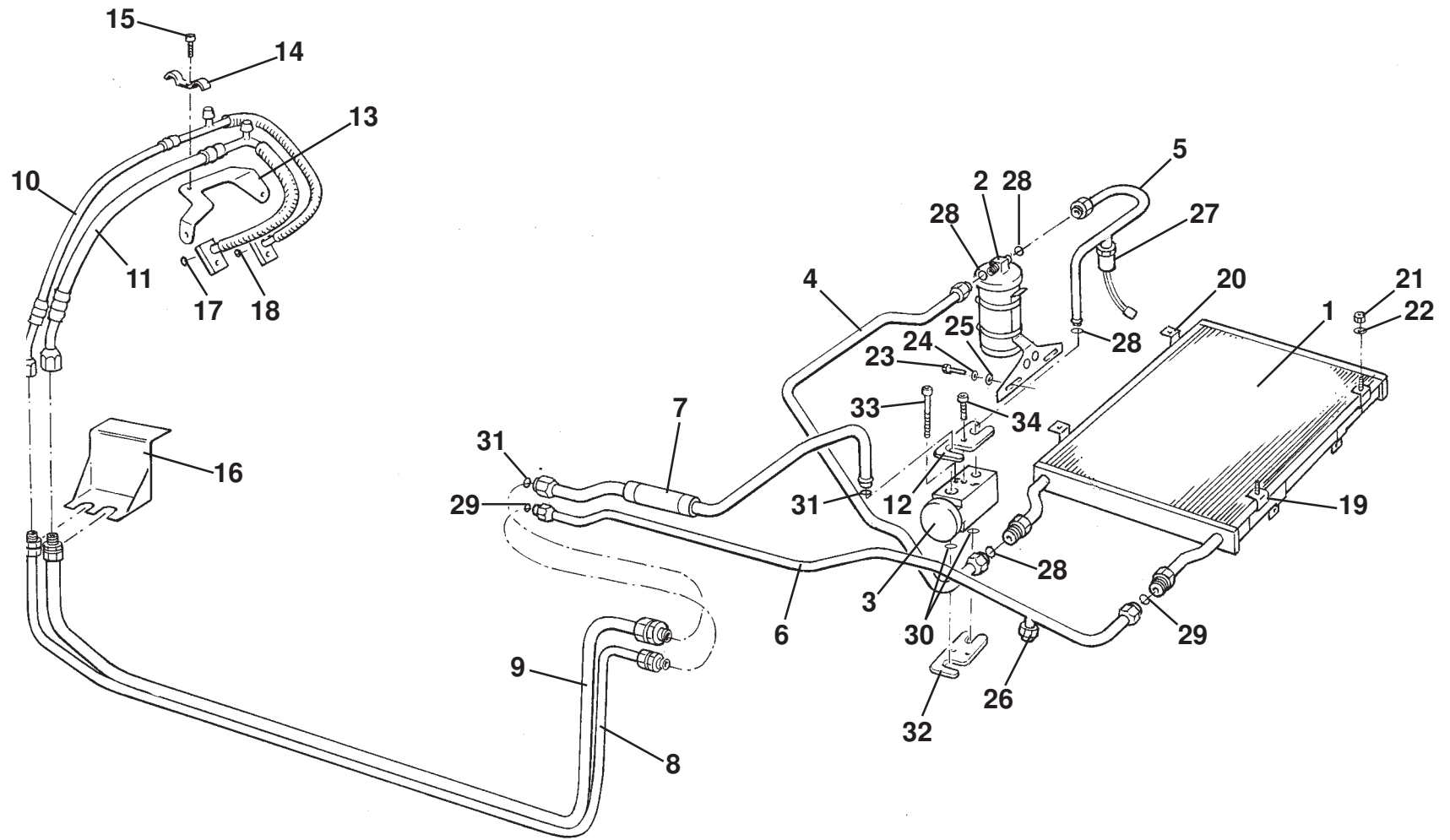
Updated 24th January 2013

Service Parts List **ELISE**



Function Code 18.01 Heater/ Air Conditioning Assemblies, Housings

<u>Dep</u>	<u>Part Description</u>	<u>Remarks</u>	<u>Option</u>	<u>Part Number</u>	<u>Qty</u>
01	Heater/AC Housing Assembly		AC cars A117P0029F R/B	B117P0029F	1
01a	Heater Housing Assembly		111/111S heater	A117P0124F	1
01b	Heater assembly, RHD	Not illustrated here, see 18.07		A117P0014F	1
01c	Heater assembly, LHD	Not illustrated here, see 18.07		A117P0015F	1
02	Actuator, heater/AC flaps			A117M6052S	1
03	Expansion Valve	Also see 18.03		A117P0122S	1
04	Thermostat Unit	Includes thermistor		A120P6004S	1
05	Drive Belt, heater flap			A117P6001S	1
06	Drain Tube			A117P0039H	1
07	Screw, M6 x 20, hex. flg. hd.,AC/htr. assy. to chassis			A117W2203F	2
08	Cover, actuator			A117P0158K	1



ELISE

18.03

Updated 15th April 2011

Service Parts List **ELISE**



Function Code 18.03 AC Components, Pipes, Hoses

<u>Dep</u>	<u>Part Description</u>	<u>Remarks</u>	<u>Option</u>	<u>Part Number</u>	<u>Qty</u>
01	Condenser, Sanden	Cylindrical tanks* see items 19 & 20	All replacements	A117P0130H	1
02	Receiver Drier/Bracket Assembly			A117P0060F	1
03	Expansion Valve			A117P0122S	1
04	Refrigerant Pipe, receiver drier to condenser, LHD			A117P0045F	1
04a	Refrigerant Pipe, receiver drier to condenser, RHD			A117P0046F	1
05	Refrigerant Pipe, receiver drier to expansion valve, LHD			A117P0049F	1
05a	Refrigerant Pipe, receiver drier to expansion valve, RHD			A117P0050F	1
06	Refrigerant Pipe, condenser to sill connection			A117P0051F	1
07	Refrigerant Pipe, expansion valve to sill connection, LHD			A117P0047F	1
07a	Refrigerant Pipe, expansion valve to sill connection, RHD			A117P0048F	1
08	Refrigerant Pipe, high pressure, rear to front connections		Prior to VIN: 3 4528	A117P0053F	1
08a	Refrigerant Pipe, high pressure, rear to front connections	Cars with side impact foams	From VIN: 3 4528	A117P0138F	1
08b	Refrigerant Pipe, high pressure, rear to front connections	See SB 2006/33	Service only	A120P0025S	1
09	Refrigerant Pipe, suction line, rear to front connections	Including lagging	Prior to VIN: 3 4528	A117P0052F	1
09a	Refrigerant Pipe, suction line, rear to front connections	Cars with side impact foams	From VIN:3 4528	A117P0139F	1
09b	Refrigerant Pipe, suction line, rear to front connections	See SB 2006/33	Service only	A120P0024S	1
10	Pipe/Hose Assembly, compressor discharge		Prior to VIN: 3 4528	A117P0057F	1
10a	Pipe/Hose Assembly, compressor discharge	Cars with side impact foams	From VIN: 3 4528	A117P0136F	1

ELISE

Function Code: 18.03, Page: 1

Updated 2nd October 2017

Function Code 18.03 AC Components, Pipes, Hoses

<u>Dep</u>	<u>Part Description</u>	<u>Remarks</u>	<u>Option</u>	<u>Part Number</u>	<u>Qty</u>
11	Pipe/Hose Assembly, compressor suction		Prior to VIN: 3 4528	A117P0056F	1
11a	Pipe/Hose Assembly, compressor suction	Cars with side impact foams	From VIN: 3 4528	A117P0137F	1
12	Clamp Plate, pipes to expansion valve			A082P4402F	1
13	Steady Bracket, compressor pipes			A117P0085F	1
14	Clamp Plate, compressor pipes			A111P0117F	1
15	Setscrew, M5 x 30, hex. hd., clamp plate to bracket			A079W1084F	1
16	Bracket, pipes to chassis RH rear		Prior to VIN; 3 4528	A117P0055F	1
16a	Bracket, pipes to chassis RH rear	Cars with side impact foams	VIN; 3 4528 on	A117P0144F	1
17	'O' Ring, suction pipe to compressor			A111P6019F	1
18	'O' Ring, discharge pipe to compressor			A111P6018F	1
19	Bracket, condenser to radiator, front	For square tank condenser		A117P0098H	1
19a	Bracket, condenser to radiator, front	For cylindrical tank condenser		A124P6005F	1
20	Bracket, condenser to radiator, rear	For square tank condenser		A117P0099H	1
20a	Bracket, condenser to radiator, rear	For cylindrical tank condenser		A124P6006F	1
21	Nyloc Nut, M6, condenser to radiator front			A075W3009F	2
22	Washer, flat, M6, condenser to radiator front			A075W4013Z	2
23	Screw, M6 x 16, hex. hd., bracket to chassis			A075W1028Z	2
24	Washer, spring, M6, bracket to chassis			A075W4035Z	2
25	Washer, flat, M6 x 12.1 x 1.4, bracket to chassis			A075W4013Z	2
26	Pressure Relief Valve			A111P6030H	1
27	Trianary Switch			A117P0059F	1

ELISE

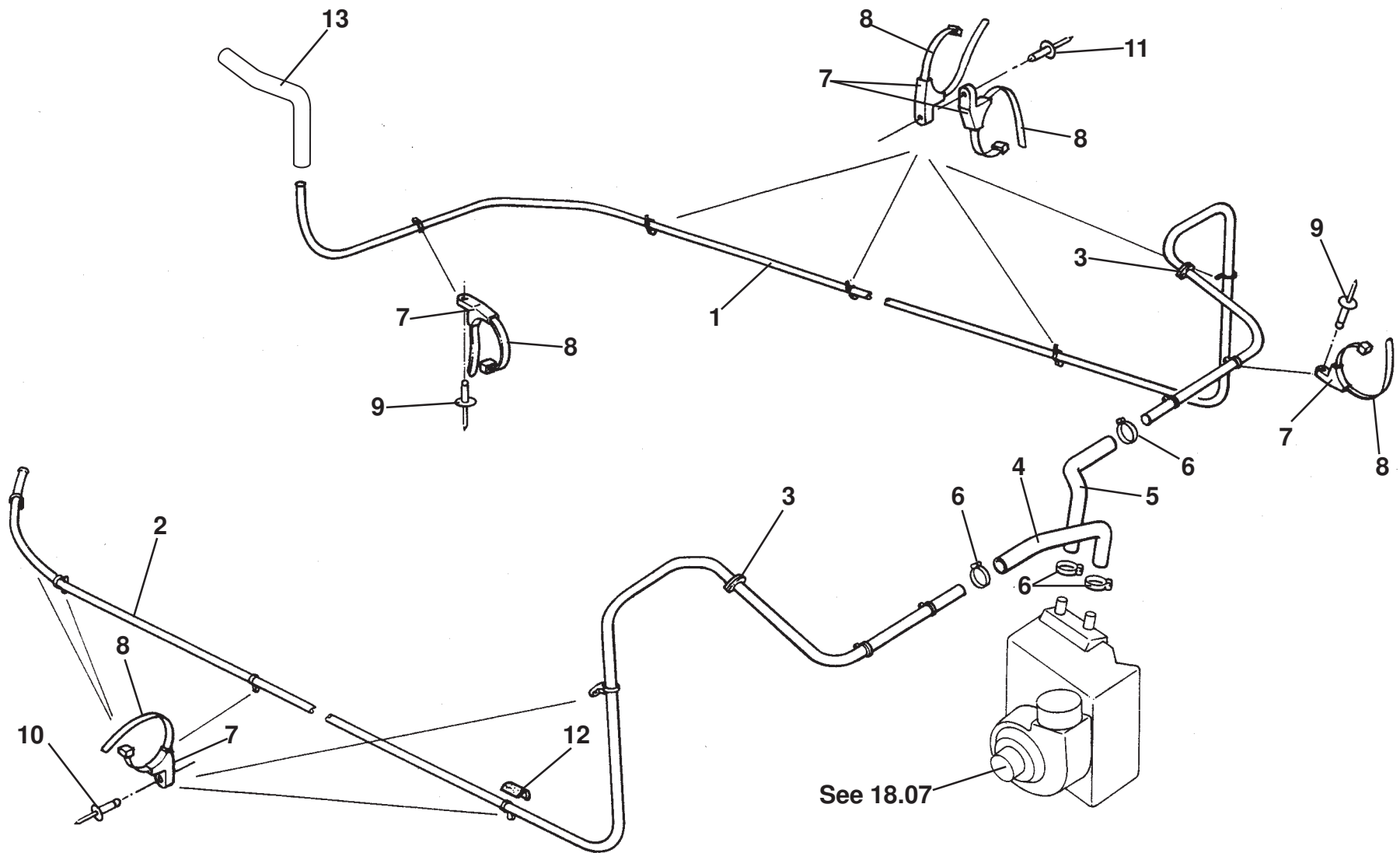
Function Code: 18.03, Page: 2

Updated 2nd October 2017

Function Code 18.03 AC Components, Pipes, Hoses

<u>Dep</u>	<u>Part Description</u>	<u>Remarks</u>	<u>Option</u>	<u>Part Number</u>	<u>Qty</u>
28	'O; Ring, No. 6, pipe joints			A082P6078F	4
29	'O; Ring, No, 8, pipe joints			A082P6079F	2
29	'O; Ring, No, 8, pipe joints			A082P6079F	2
30	'O' Ring, No 10, expansion valve to evaporator			A082P6080F	2
31	'O; Ring, No.12, pipe joints			A082P6081F	2
32	Clamp Plate, valve to evaporator			A082P4401F	1
33	Screw, M5 x 40, cap hd. skt., valve to clamp			A100W7081F	2
34	Screw, M6 x 16, cap hd. skt., clamp to valve			A075W7017F	1

*Note,: if replacing a square tank
type condenser with the
cylindrical tank type; brackets
19a/20a are required

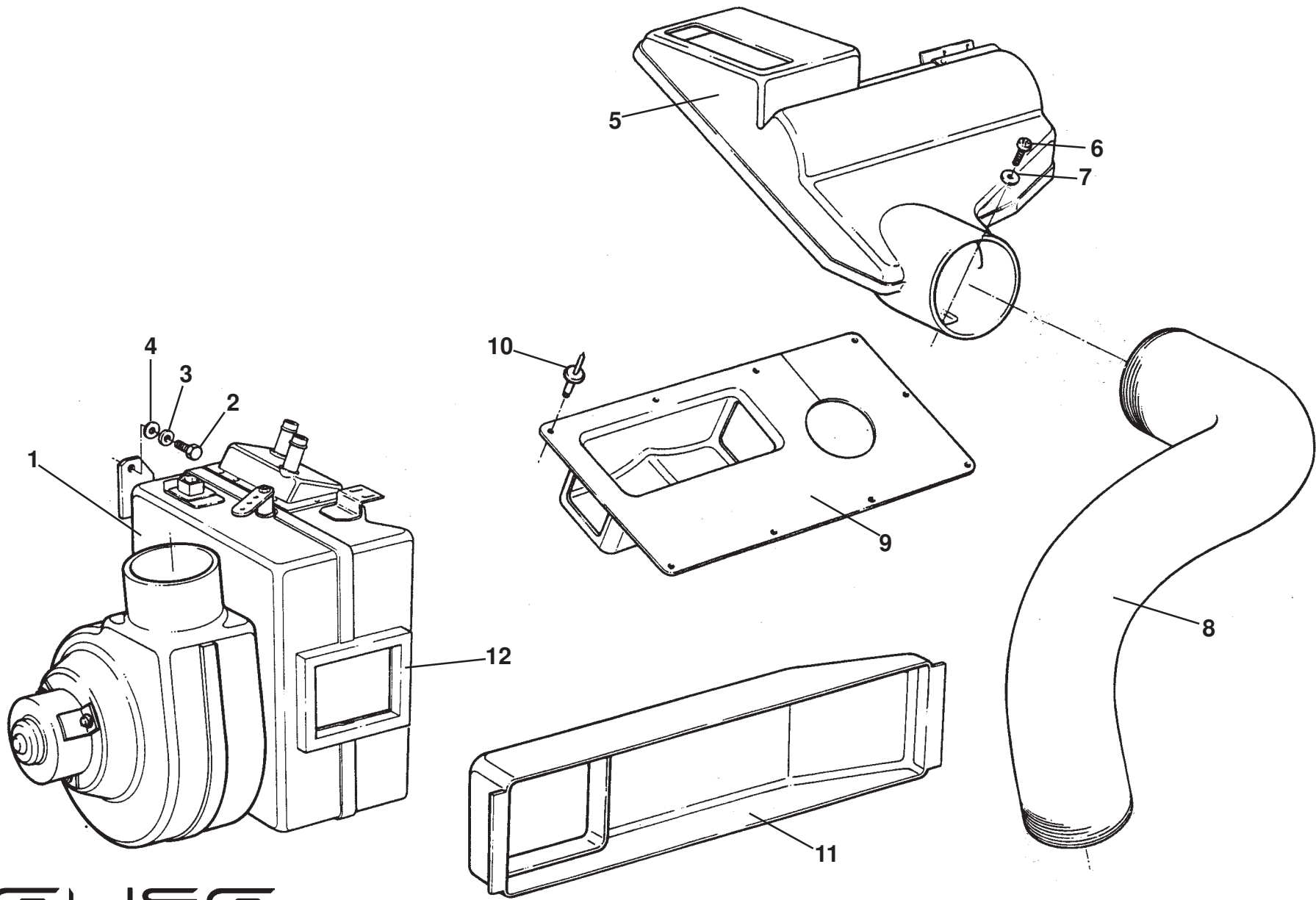


ELISE
18.05

Updated 15th April 2011

Function Code 18.05 Heater, Pipes, Hoses

<u>Dep</u>	<u>Part Description</u>	<u>Remarks</u>	<u>Option</u>	<u>Part Number</u>	<u>Qty</u>
01	Pipe, heater return			A117K0002F	1
02	Pipe, heater feed			A117K0001F	1
03	Grommet, heater pipes	In scuttle baffle		A111P0003K	2
04	Hose, heater inlet, RHD		Standard car	A116P0010F	1
04a	Hose, heater inlet, LHD		Standard car	A116P0007F	1
04b	Hose, heater inlet, RHD		AC & 111/111S heater	A117P0024F	1
04c	Hose, heater inlet, LHD		AC & 111/111S heater	A117P0023F	1
05	Hose, heater outlet, RHD		Standard car	A116P0008F	1
05a	Hose, heater outlet, LHD		Standard car	A116P0009F	1
05b	Hose, heater outlet, RHD		AC & 111/111S heater	A117P0022F	1
05c	Hose, heater outlet, LHD		AC & 111/111S heater	A117P0021F	1
06	Hose Clip			A079K6018Z	4
07	Saddle Clip, cable tie	Pipes to chassis		A082W6324F	14
08	Cable Tie			A075W6038F	14
09	Blind Rivet, saddle clamp to chassis			A085W6259F	4
10	Blind Rivet, saddle clamp to chassis			A111W6613F	6
11	Blind Rivet, saddle clamps to chassis			A111W6614F	4
12	Foam Strip, self adhesive, pipe protection			A082U6067F	As req.
13	Hose, return, chassis pipe to engine		AC & 111/111S heater	A117K0017F	1



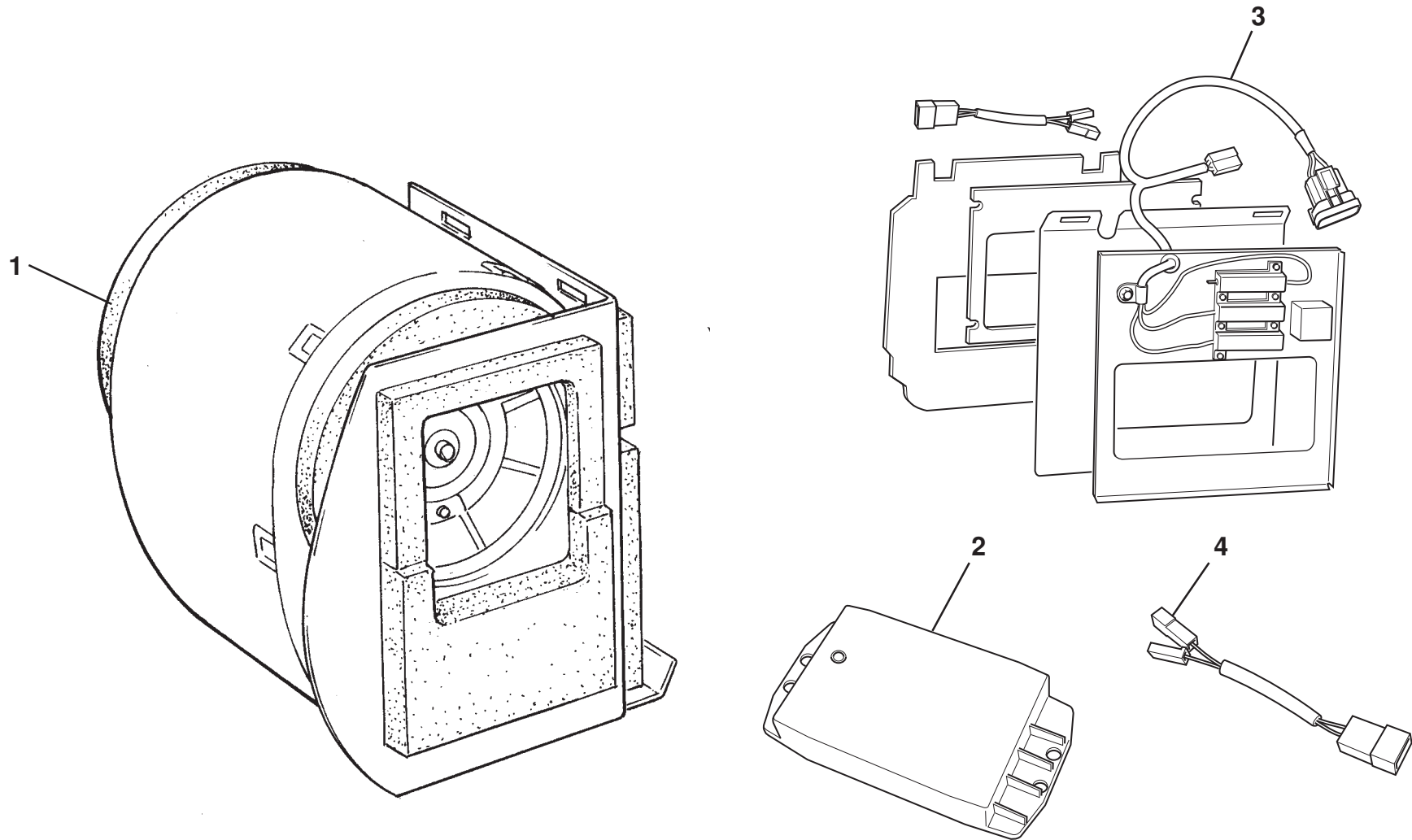
ELISE

18.07

Updated 15th April 2011

Function Code 18.07 Interior Blower Motor, Heater Matrix, Intakes & Ducting

<u>Dep</u>	<u>Part Description</u>	<u>Remarks</u>	<u>Option</u>	<u>Part Number</u>	<u>Qty</u>
01	Heater Assembly, RHD	For 111/111S heater see 18.01	C116P0002F R/B	A117P0014F	1
01a	Heater Assembly, LHD	For 111/111S heater see 18.01	C116P0001F R/B	A117P0015F	1
02	Screw, M6 x 20, hex. hd., heater to chassis			A075W1030Z	2
03	Washer, spring, M6, heater to chassis			A075W4035Z	2
04	Washer, flat, M6, heater to chassis			A075W4015Z	2
05	Distribution Plenum, RHD			C116P0004F	1
05a	Distribution Plenum, LHD			C116P0003F	1
06	Screw, M5 x 16, pan hd., pozi., plenum to chassis			A082W5107F	1
07	Washer, shakeproof, M5, plenum to chassis			A075W4045Z	1
08	Hose, heater to plenum		A111P0020F R/B	A117P0156F	1
09	Deflector, footwell, RHD			A117U0222F	1
09a	Deflector, footwell, LHD			A117U0221F	1
09b	Deflector, footwell, RHD, AC, VVC		AC cars, 111/111S	A117P0114J	1
09c	Deflector, footwell, LHD, AC, VVC		AC cars, 111/111S	A117P0113J	1
10	Pop Rivet. deflector to chassis			A082W6512Z	10
11	Air Intake Duct, heater	For AC see 18.14	Standard car	B116P0005F	1
11a	Air Intake Duct, heater, RHD	For AC see 18.14	111/111S heater	A117P0134F	1
11b	Air Intake Duct, heater, LHD	For AC see 18.14	111/111S heater	A117P0135F	1
12	Foam Gasket, duct to heater	Used with item 11	Standard car	A116P0020F	1



ELISE
18.07a

Updated 24th January 2013

Service Parts List **ELISE**



Function Code 18.07a AC Interior Blower Motor

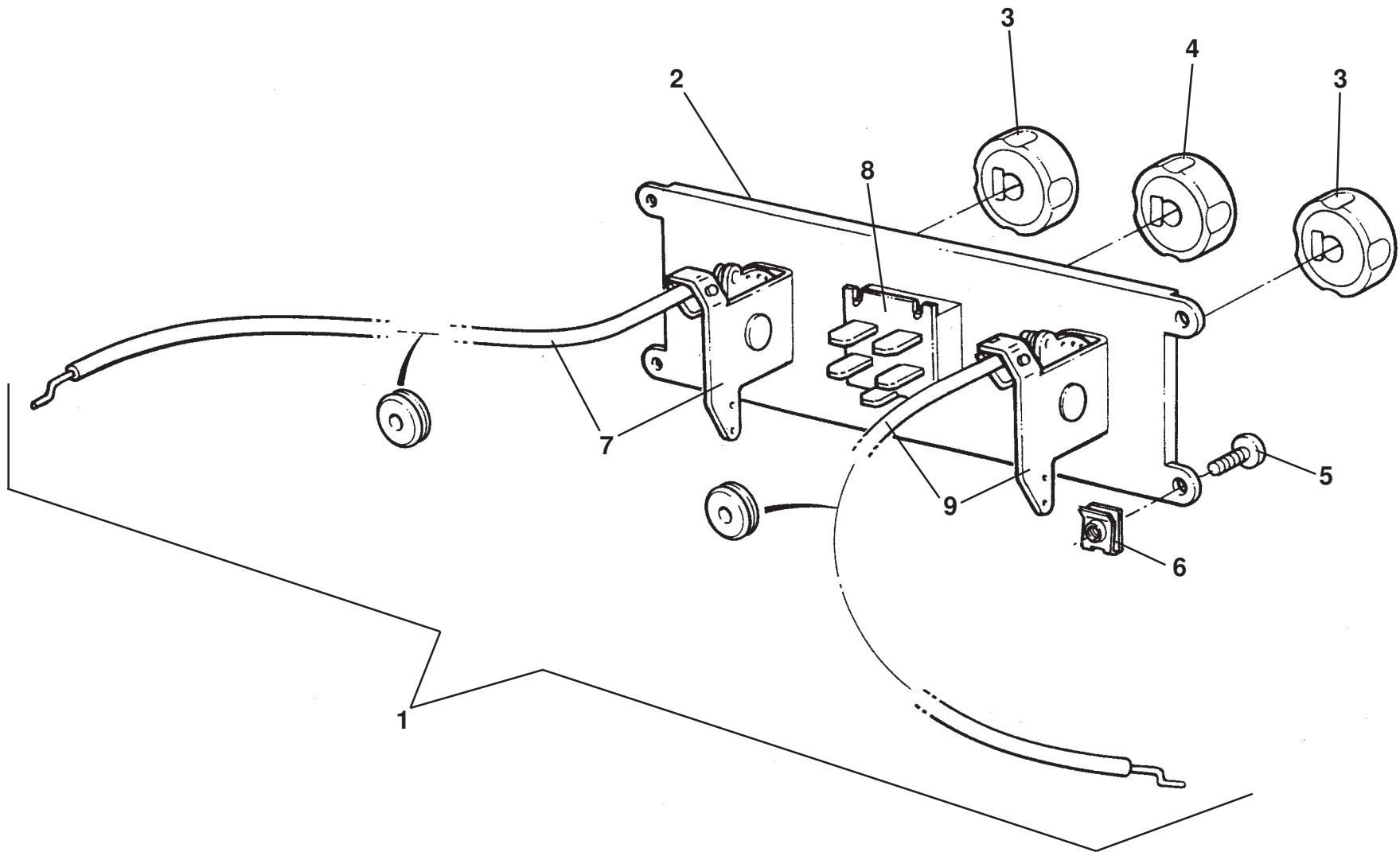
<u>Dep</u>	<u>Part Description</u>	<u>Remarks</u>	<u>Option</u>	<u>Part Number</u>	<u>Qty</u>
01	Blower & Motor Assembly, LHD, RHD			B117P0025F	1
02	Resistor, blower motor			A117P6000S	1
03	Resistor Kit, blower motor			A120P0148S	1
04	Jump Harness, motor to resistors	Remove resistor to blower item 01*		A120P0150S	1

* See Service Bulletin 2007/13

ELISE

Function Code: 18.07a, Page: 1

Updated 24th January 2013



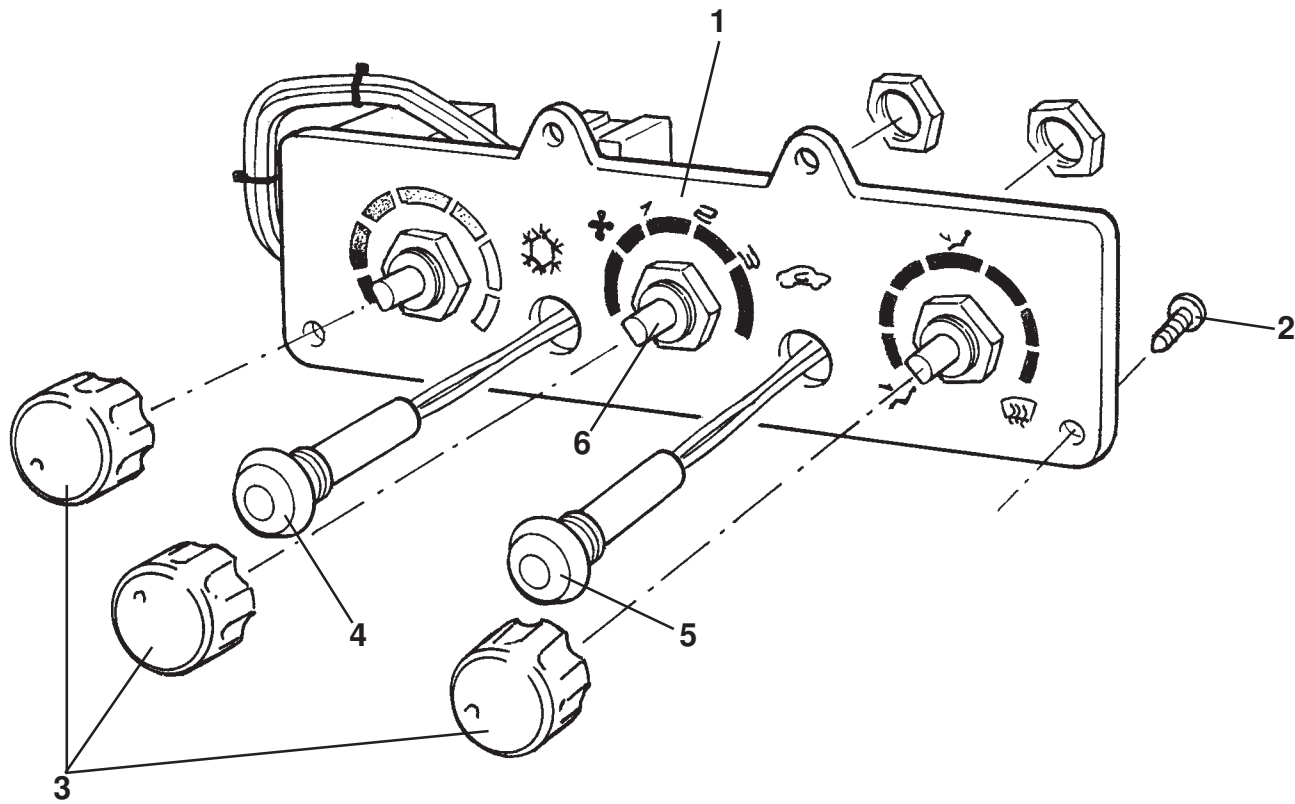
ELISE
18.09

Updated 15th April 2011

Function Code 18.09 Driver Operated Controls

<u>Dep</u>	<u>Part Description</u>	<u>Remarks</u>	<u>Option</u>	<u>Part Number</u>	<u>Qty</u>
01	Climate Control Panel Assembly, RHD	Includes switches & cables	Standard car*	A117P0006F	1
01a	Climate Control Panel Assembly, LHD	Includes switches & cables	Standard car*	A117P0007F	1
02	Mounting/Graphics Panel		Standard car	B117U0037H	1
03	Knob, brushed/polished, climate controls		Standard & Race Tech	B117U0036F	2
03a	Knob, polished, climate controls		Sports Tourer	A117U0201F	2
04	Knob, fan, brushed/polished		Standard & Race Tech	B117U0252F	1
04a	Knob, fan, polished		Sports Tourer	A117U0253F	1
05	Screw, ejot, panel fix.			A117F6001F	4
06	Fastener, ejot			A117F6000F	4
07	Cable/Rotary Control Assembly, temperature, RHD			A117P0154S	1
07a	Cable/Rotary Control Assembly, temperature, LHD			A117P0152S	1
08	Switch, fan speed control			A082M6223F	1
09	Cable/Rotary Control Assembly, distribution, RHD			A117P0155S	1
09a	Cable/Rotary Control Assembly, distribution, LHD			A117P0153S	1

*Note: for 111/111S heater
switch panel see 18.09a



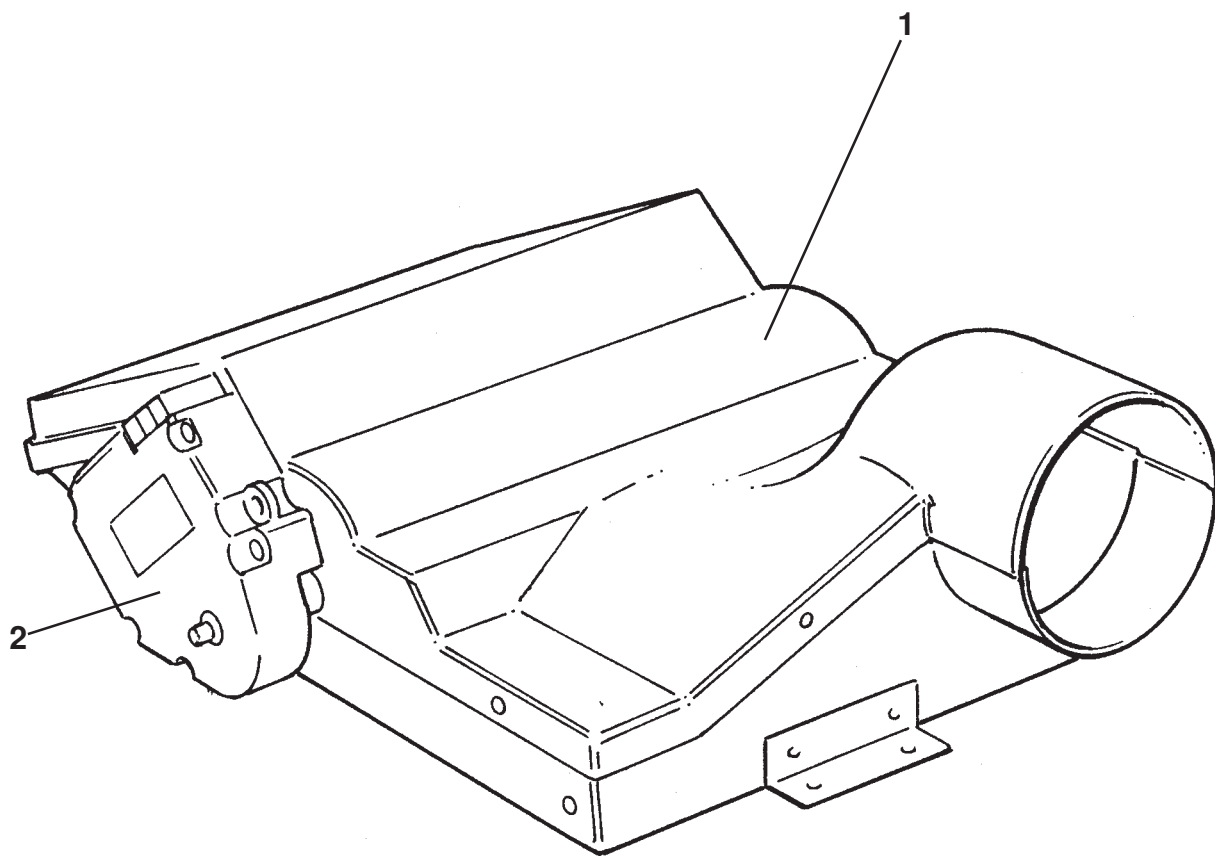
ELISE

18.09a

Updated 15th April 2011

Function Code 18.09a AC/Heater Driver Operated Controls

<u>Dep</u>	<u>Part Description</u>	<u>Remarks</u>	<u>Option</u>	<u>Part Number</u>	<u>Qty</u>
01	Switch Panel Assembly, AC, RHD	Incl. temp, fan & dist. Switches	AC cars	A117P0064F	1
01a	Switch Panel Assembly, AC, LHD	Incl. temp, fan & dist. Switches	AC cars	A117P0105F	1
01b	Switch Panel Assembly, heater, RHD	Incl. temp, fan & dist. Switches	Heater cars	A117P0132F	1
01c	Switch Panel Assembly, heater, LHD	Incl. temp, fan & dist. Switches	Heater cars	A117P0133F	1
01d	Switch Panel Assembly, AC, RHD	Incl. temp, fan & dist. Switches	'04 MY AC cars	A117P0147F	1
01e	Switch Panel Assembly, AC, LHD	Incl. temp, fan & dist. Switches	'04 MY AC cars	A117P0146F	1
01f	Switch Panel Assembly, heater, RHD	Incl. temp, fan & dist. Switches	'04 MY heater cars	A117P0149F	1
01g	Switch Panel Assembly, heater, LHD	Incl. temp, fan & dist. Switches	'04 MY heater cars	A117P0148F	1
02	Screw, No.8 x 3/8", pan hd. pozi., switch panel fixing			A082W5187F	4
03	Knob, brushed/polished, climate controls			B117U0036F	3
03a	Knob, polished, climate controls			A117U0201F	3
04	Switch, AC, blue tell-tale			A117M0026F	1
05	Switch, Recirculation, blue tell-tale			A117M0026F	1
06	Switch, 3 speed fan			A117M6053S	1



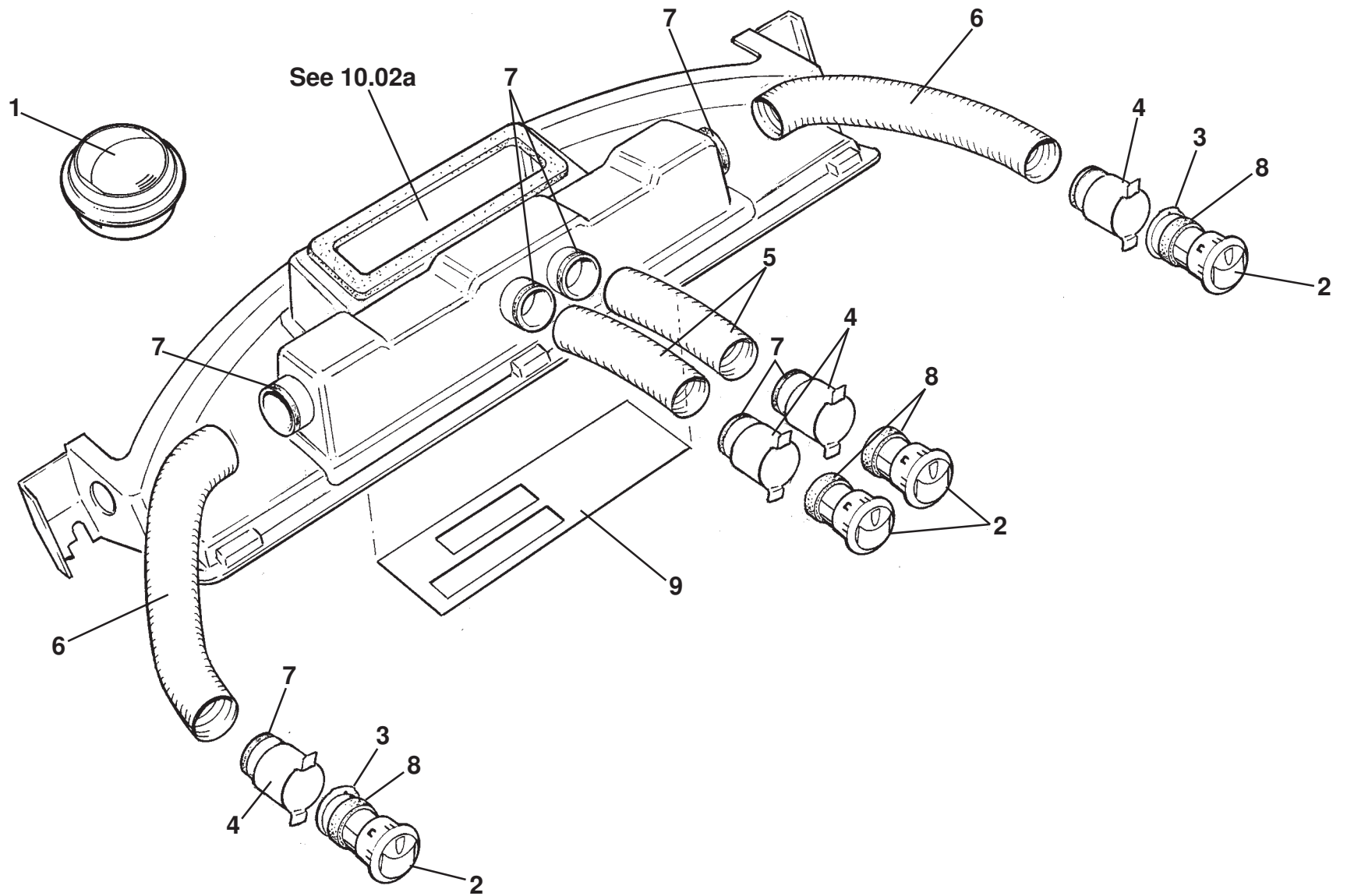
ELISE

18.12

Updated 15th April 2011

Function Code 18.12 AC/Heater Air Distribution Plenum

<u>Dep</u>	<u>Part Description</u>	<u>Remarks</u>	<u>Option</u>	<u>Part Number</u>	<u>Qty</u>
01	AC Air Distribution Plenum, LHD	Also heater only on VVC cars	AC cars, 111/111S	A117P0041F	1
01a	AC Air Distribution Plenum, RHD	Also heater only on VVC cars	AC cars, 111/111S	A117P0042F	1
02	Actuator, distribution flaps	Also heater only on VVC cars	AC cars, 111/111S	A117M6052S	1



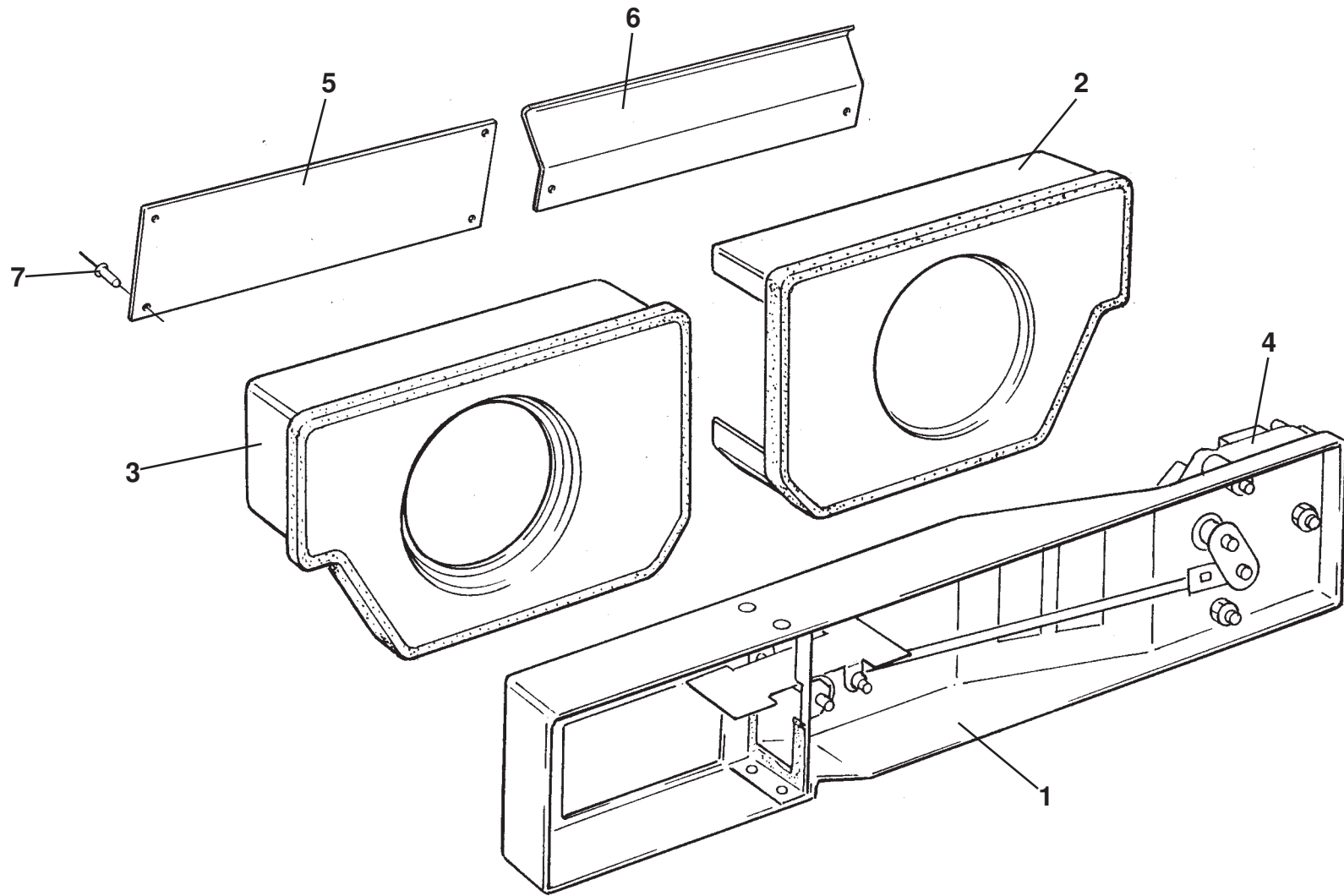
ELISE

18.13

Updated 15th April 2011

Function Code 18.13 Air Trunking, Ducts & Ventilators

<u>Dep</u>	<u>Part Description</u>	<u>Remarks</u>	<u>Option</u>	<u>Part Number</u>	<u>Qty</u>
01	Fascia Top Ventilator/Demister	Demist only on AC cars	Common	A117U0035F	4
02	Face Level Vent		AC cars, 111/111S	A117U6003F	4
03	Retaining Ring, FLV		AC cars, 111/111S	A117P0086F	2
04	Adaptor, vent to trunking		AC cars, 111/111S	A117P0063F	4
05	Trunking, centre face level vents		AC cars, 111/111S	A117P0068F	2
06	Trunking, outer face level vents		AC cars, 111/111S	A117P0069F	2
07	Foam Seal, self adhesive, 19 x 3mm, adaptors to trunking		AC cars, 111/111S	A082U6067F	1.28m
08	Foam Seal, self adhesive, 10 x 6mm, FLV to adaptor		AC cars, 111/111S	A100B0431V	0.8m
09	Blanking Panel, FVL plenum, LHD/RHD	Bond to plenum to make LHD or RHD assembly	AC cars, 111/111S	A117P0084K	1



ELISE

18.14

Updated 15th April 2011

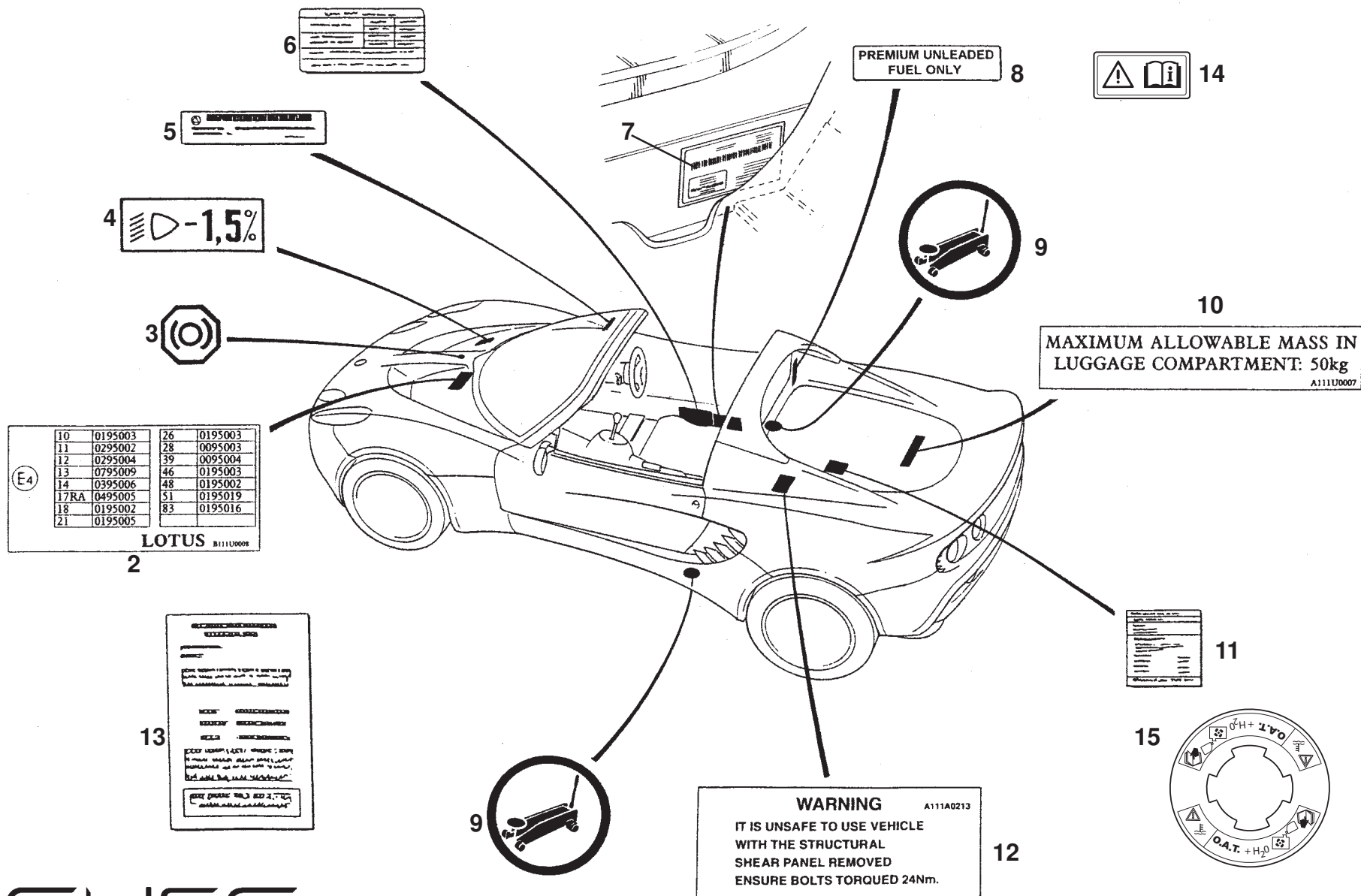
Service Parts List **ELISE**



Function Code 18.14 AC Air Recirculation System

<u>Dep</u>	<u>Part Description</u>	<u>Remarks</u>	<u>Option</u>	<u>Part Number</u>	<u>Qty</u>
01	Intake Duct/Fresh Air Flap Assembly, LHD	For 111/111S heater see 18.07		A117P0088F	1
01a	Intake Duct/Fresh Air Flap Assembly, RHD	For 111/111S heater see 18.07		A117P0089F	1
02	Recirc. Air plenum, LH, LHD	Without aperture	Also 111/111S heater	B117P0037F	1
02a	Recirc. Air plenum, LH, RHD	With aperture	Also 111/111S heater	B117P0035F	1
03	Recirc. Air plenum, RH, LHD	With aperture	Also 111/111S heater	B117P0038F	1
03a	Recirc. Air plenum, RH, RHD	Without aperture	Also 111/111S heater	B117P0036F	1
04	Actuator, fresh air flap			A117M6052S	1
05	Blanking Panel, alloy	Driver footwell*	Also 111/111S heater	A117P0123F	1
06	Deflector Panel, alloy	Passenger footwell*	Also 111/111S heater	A117P0126F	1
07	Pop Rivet, panels to chassis		Also 111/111S heater	A111W6613F	6

*From VIN: 2 3166



10	0195003	26	0195003
11	0295002	28	0095003
12	0295004	39	0095004
13	0795009	46	0195003
14	0395006	48	0195002
17RA	0495005	51	0195019
18	0195002	83	0195016
21	0195005		

LOTUS B111U0007

MAXIMUM ALLOWABLE MASS IN LUGGAGE COMPARTMENT: 50kg
A111U0007

WARNING A111A0213
IT IS UNSAFE TO USE VEHICLE WITH THE STRUCTURAL SHEAR PANEL REMOVED ENSURE BOLTS TORQUED 24Nm.

ELISE
19.01

Updated 27th february 2013

Service Parts List **ELISE**



Function Code 19.01 Labels, Certificates, Literature etc.

<u>Dep</u>	<u>Part Description</u>	<u>Remarks</u>	<u>Option</u>	<u>Part Number</u>	<u>Qty</u>
01	Certificate of Conformity	Contact Lotus Type Approval	All models/markets	Not listed	1
02	Label, 'E' mark		Standard car	A117U0269F	1
02a	Label, 'E' mark		111/111S	A117U0314F	1
02b	Label, 'E' mark		111/111S '04 MY	B117U0314F	1
03	Label, brake fluid warning			A082U7623F	1
04	Label, headlamp levelling, 1.5%			B082U7039F	1
05	VIN Label, base	Top of windscreen		A082U7400F	1
05a	VIN Label, overlay	Used with item 5		A082U7401F	1
06	Label, tyre loading, (225/45 ZR16 rear tyre)	Adjacent to VIN label, item 7	Australia, C117U0273F R/B	D117U0273F	1
07	Label, VIN (special order only)			F075U1186K	1
08	Label, premium unleaded fuel			A082U7800F	1
08a	Label, premium unleaded fuel	Obsolete Nov.2002	Australia only	A111U0318F	1
09	Label, jacking point			A111U0239F	2
10	Label, luggage loading		A111U0007F R/B	B111U0007F	1
11	Label, vehicle emissions			A117U0156A	1
12	Label, shear panel warning	Also on fuel tank		A111A0213F	2
13	Label, fuel consumption			A111U0006K	1
13a	Label, fuel consumption		Australia only	A117U0274F	1

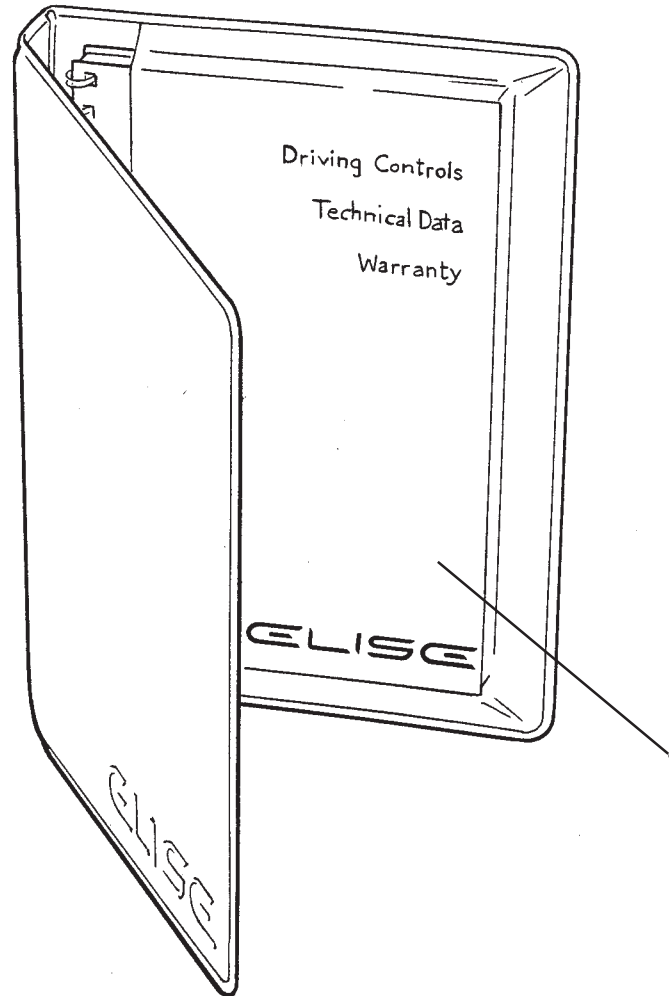
ELISE

Function Code: 19.01, Page: 1

Updated 1st April 2014

Function Code 19.01 Labels,Certificates, Literature etc.

<u>Dep</u>	<u>Part Description</u>	<u>Remarks</u>	<u>Option</u>	<u>Part Number</u>	<u>Qty</u>
13b	Label, fuel consumption, VVC		Australia 111/111S	B117U0315F	1
14	Label, hard top instruction directive	Fitted to front of hard top inner	Hard top cars	B116V0185F	1
15	Label, coolant, OAT	On header tank		A117K6002F	1



ELISE

19.03

Updated 15th April 2011

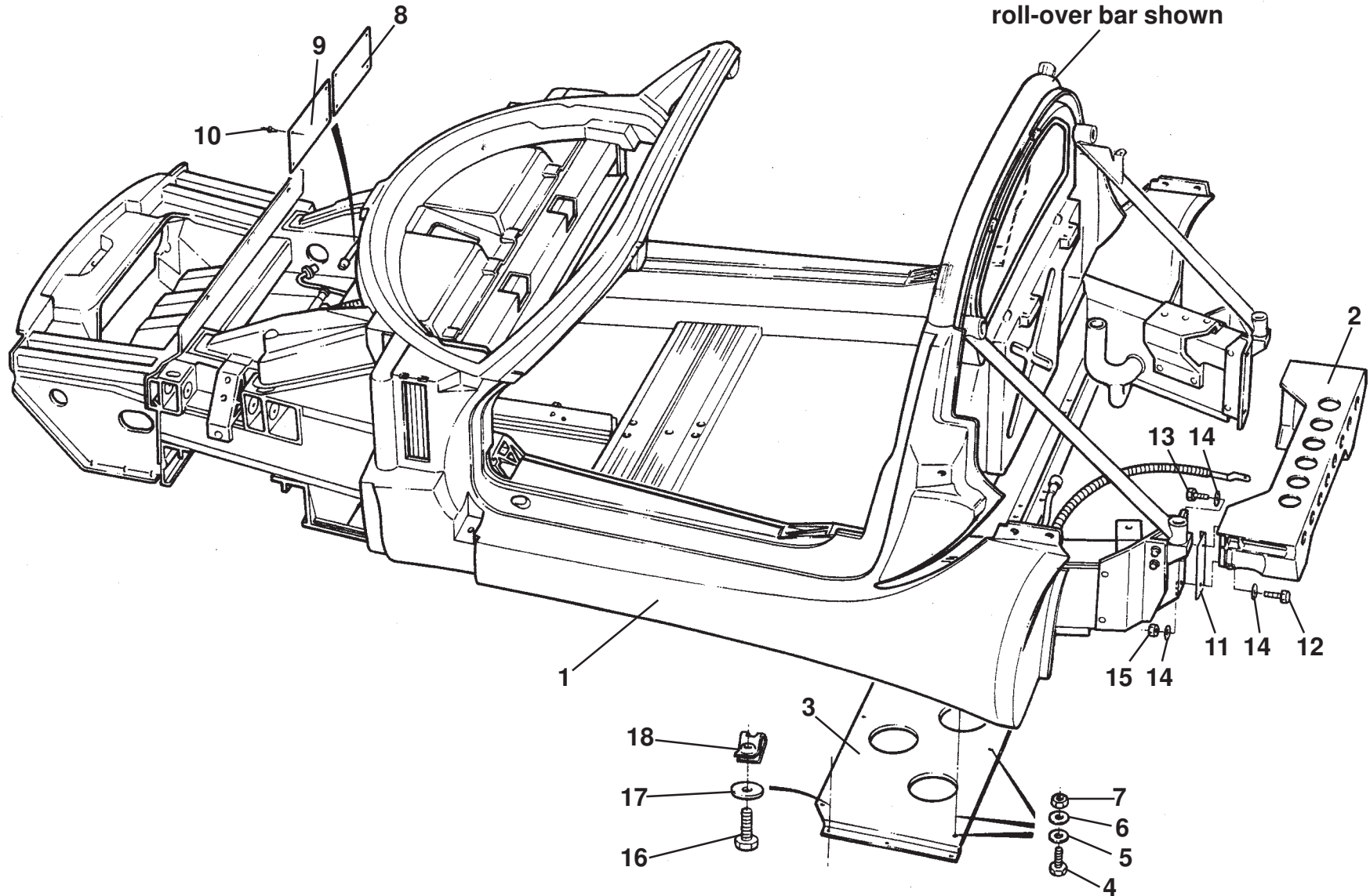
Service Parts List **ELISE**



Function Code 19.03 Owner's Handbooks & Service Notes Manuals

<u>Dep</u>	<u>Part Description</u>	<u>Remarks</u>	<u>Option</u>	<u>Part Number</u>	<u>Qty</u>
01	Owners Handbook	Includes maintenance record. Once obs. use B117T0324J, but does not cover Meta alarm	Long soft top, Meta alarm	A117T0324J	1
01a	Owners Handbook	Includes maintenance record. Book covers now green	Short soft top, Cobra alarm	B117T0324J	1
01b	Owners Handbook Supplement	Not illustrated	'04 MY	B117T0324/3	1
01c	Maintenance Book	P/O Item 1. Book cover now green	9,000 miles service intervals	B117T0324JM	1
02	Service Notes	Not illustrated		A117T0327J	1
03	Service Parts List	Not illustrated		A117T0325J	1
06	Labour Times Schedule	Not illustrated		A117T0328J	1

C117A0057F (long soft top)
roll-over bar shown



ELISE

30.01

Updated 15th April 2011

Service Parts List **ELISE**



Function Code 30.01 Chassis, Subframes

<u>Dep</u>	<u>Part Description</u>	<u>Remarks</u>	<u>Option</u>	<u>Part Number</u>	<u>Qty</u>
01	Partial Body Assembly, RHD**	Prior to May 2002 approx.	Long soft top	A117A0128S	1
01a	Partial Body Assembly, LHD**	Prior to May 2002 approx.	Long soft top	A117A0127S	1
01b	Partial Body Assembly, RHD**	From May 2002 approx.	Standard car, short soft top	B117A0128S	1
01c	Partial Body Assembly, LHD**	From May 2002 approx.	Standard car, short soft top	B117A0127S	1
01d	Partial Body Assembly, heater, RHD**	Screen baffle panel for FLV	111/111S, short soft top	A117A0182S	1
01e	Partial Body Assembly, heater, RHD**	Screen baffle panel for FLV	111/111S, long soft top	B117A0182S	1
01f	Partial Body Assembly, heater, LHD**	Screen baffle panel for FLV	111/111S, short soft top	A117A0183S	1
01g	Partial Body Assembly, AC, RHD**	Includes AC pipes in RH sill	Common, short soft top	A117A0184S	1
01h	Partial Body Assembly, AC, RHD**	Includes AC pipes in RH sill	Common, long soft top	B117A0184S	1
01i	Partial Body Assembly, AC, LHD**	Includes AC pipes in RH sill	Common, short soft top	A117A0185S	1
02	Rear Sub Frame, galvanised	Order rear longerons also, see 30.19		G111A0057F	1
03	Shear Panel, fuel tank bay closing panel			D111A0065F	1
04	Screw, M8 x 25, hex. hd., shear panel fix			A111W1156F	10
05	Washer, flat, M8 x 21 x 1.6			A111W4159F	10
06	Washer, flat, M8 x 16.6 x 1.4			A111W4164F	5
07	Nyloc Nut, M8			A907E6284F	5
08	Blanking Panel, RH, toe board air vents		Heater cars	A111P0490K	1
09	Blanking Panel, LH, toe board air vents		Heater cars	A111P0489K	1

ELISE

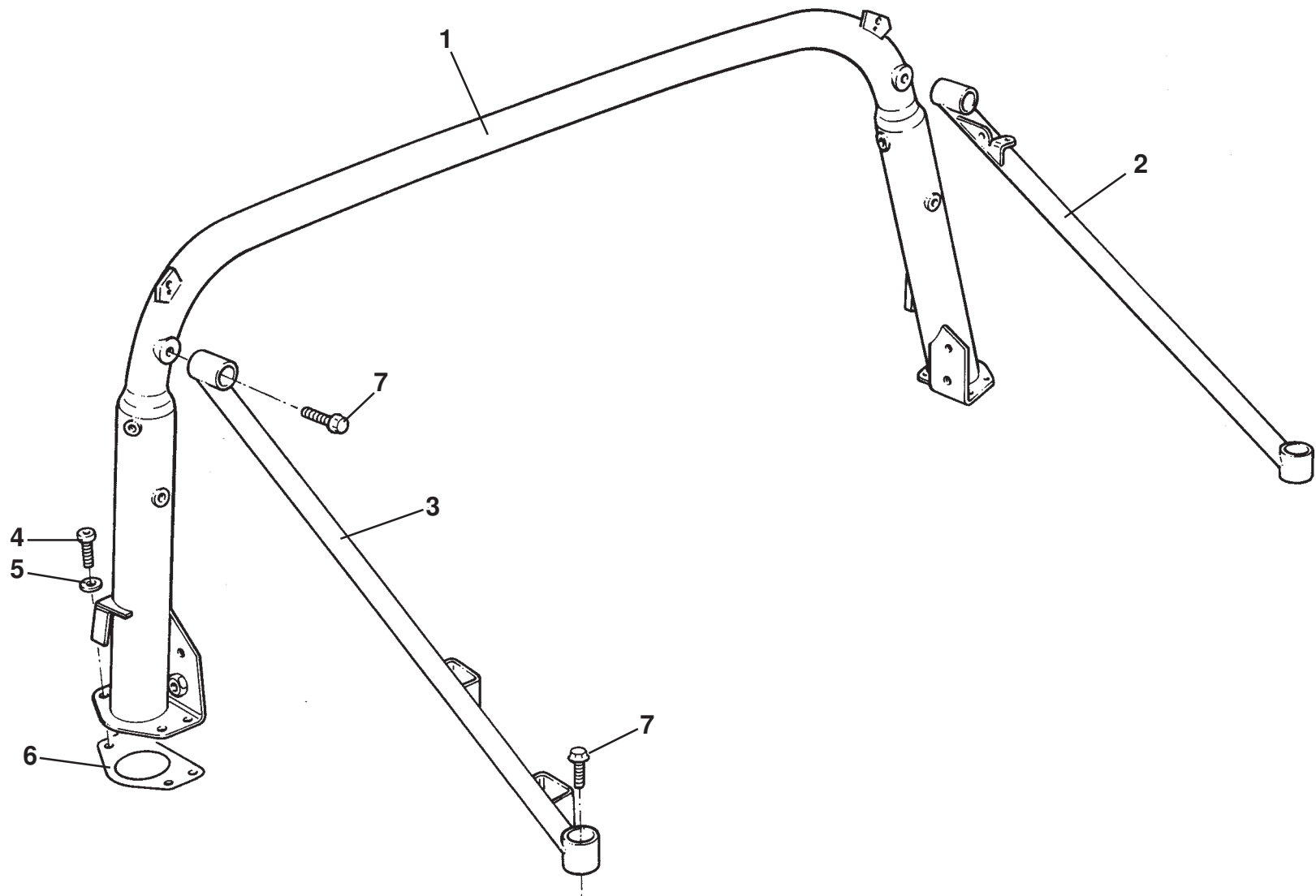
Function Code: 30.01, Page: 1

Updated 2nd March 2015

Function Code 30.01 Chassis, Subframes

<u>Dep</u>	<u>Part Description</u>	<u>Remarks</u>	<u>Option</u>	<u>Part Number</u>	<u>Qty</u>
10	Pop Rivet, blanking panel fix			A085W6259F	8
11	Shim, chassis to subframe, LH			B111A0217F	1
11a	Shim, chassis to subframe, RH			B111A0216F	1
12	Bolt, M10 x 55, hex. hd.			A111W2181F	2
13	Screw, M10 x 25, hex. hd.			A111W1157F	2
14	Washer, flat, M10 x 20.5 x 1.8			A075W4024Z	8
15	Nut, M10, flg. hd.			A111W3151F	4
16	Setscrew, M5 x 16, hex. hd., shear panel to chassis/sill	Also see 10.25		A111W1163F	6
17	Washer, flat, M5 x 25 x 1.4	Also see 10.25		A082W4098F	6
18	Spirenut, M5	Also see 10.25		B100W6372F	6
19	Grommet, blanking, unused steering column hole	Not illustrated	A111A6003F R/B	A117W6783F	1
20	Elise Floor Panel Set	Not illustrated		A117A0235S	1

**Use order form LSL631



ELISE

30.02

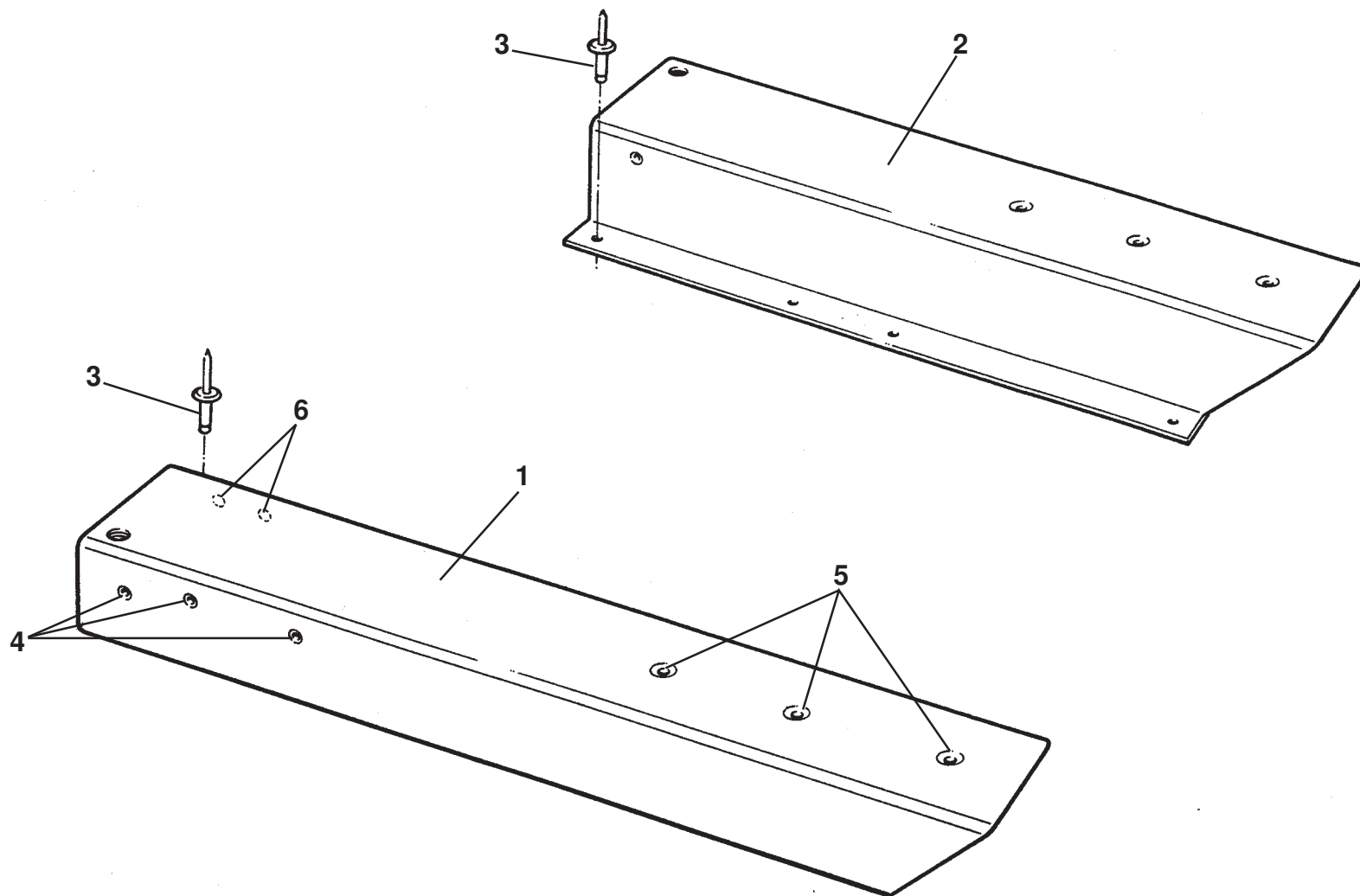
Updated 15th April 2011

Service Parts List **ELISE**



Function Code 30.02 Seat Belt Mounting Frames, Stays

<u>Dep</u>	<u>Part Description</u>	<u>Remarks</u>	<u>Option</u>	<u>Part Number</u>	<u>Qty</u>
01	Roll-Over Bar	Prior to May 2002 approx.	Long soft top	C117A0058F	1
01a	Roll-Over Bar	From May 2002 approx.	Short soft top/hard top	B117A0145F	1
02	Backstay, roll-over bar, RH			C117A0064F	1
03	Backstay, roll-over bar, LH			B117A0069F	1
04	Screw, M8 x 25, cap hd.			A111W7132F	8
05	Washer, flat, M8 x 16.6 x 1.4			A075W4020Z	8
06	Shim, base plate			B111A0071F	2
07	Screw, M10 x 35, flg. hd.			A116W5247F	4
08	Permabond A130	Not illustrated, for use with screws, item: 4		A912E7034F	As req.



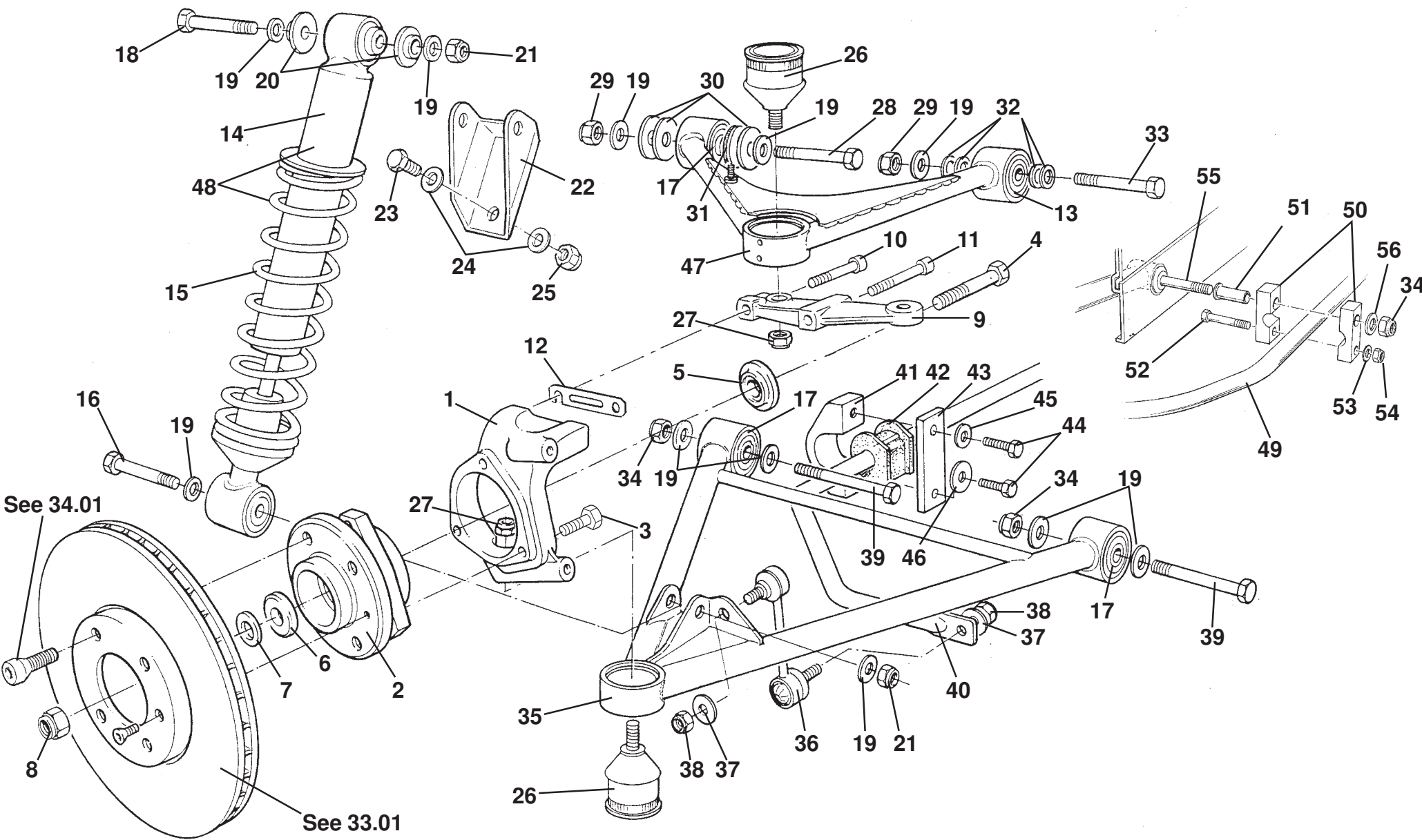
ELISE

30.19

Updated 15th April 2011

Function Code 30.19 Longerons

<u>Dep</u>	<u>Part Description</u>	<u>Remarks</u>	<u>Option</u>	<u>Part Number</u>	<u>Qty</u>
01	Longeron, LH	Required with new subframe		E117A0033F	1
02	Longeron, RH	Required with new subframe		D117A0034F	1
03	Pop Rivet, 6.4 x 20,			A111W6593F	6
04	Rivnut, M6 x 1, countersunk hd.			A111W6536H	8
05	Pulsert, M6 flat hd.			A079W6191F	6
06	Rivnut, M5 x 0.8 countersunk hd			A111W6566H	2



See 34.01

See 33.01

ELISE
31.01

Updated 15th April 2011

Service Parts List **ELISE**



Function Code 31.01 Front Suspension, Incl. Hubs

<u>Dep</u>	<u>Part Description</u>	<u>Remarks</u>	<u>Option</u>	<u>Part Number</u>	<u>Qty</u>
01	Hub Carrier, forged steel, LH			A116C0001F	1
01a	Hub Carrier, forged steel, RH			A116C0002F	1
02	Hub/Bearing Assembly			A117C6002F	2
03	Screw, M12 x 45, hex. hd., hub assy. to hub carrier			A116W2192F	6
04	Bolt, M16 x 100, hex. hd., hub retention	Not required on other models	Sport 111	A111W2185F	2
05	Thrust Washer, inner, hub retention	Not required on other models	Sport 111	A111C0118F	2
06	Thrust Washer, outer, hub retention	Not required on other models	Sport 111	A111C0117F	2
07	Washer, flat, M16 x 30	Not required on other models	Sport 111	A111W4171F	2
08	Nyloc Nut, M16, hub retention	Not required on other models	Sport 111	A111W3159F	2
09	Steering Arm, LH			A116C0003F	1
09a	Steering Arm, RH			A116C0004F	1
10	Bolt, M10 x 40, 10.9G, cap hd., steering arm - hub carrier	See Service bulletin 2004/08	A111W7143F R/B	A117W7211F	2
11	Bolt, M10 x 60, 10.9G, cap hd., steering arm - hub carrier	See Service bulletin 2004/08	A116W7203F R/B	A117W7212F	2
12	Shim, 1mm, camber adjustment			A111C0062F	As req.
12a	Shim, 3mm, camber adjustment			C111C0064F	As req.
13	Bush, upper wishbone rear pivot	1 per wishbone	A111C0108F R/B	A116C0035F	2
14	Damper			E117C0007H	2
15	Road Spring			A117C0006H	2

ELISE

Function Code: 31.01, Page: 1

Updated 1st August 2015

Function Code 31.01 Front Suspension, Incl. Hubs

<u>Dep</u>	<u>Part Description</u>	<u>Remarks</u>	<u>Option</u>	<u>Part Number</u>	<u>Qty</u>
16	Bolt, M10 x 55, hex. hd., damper bottom fix.			A079W2057F	2
17	Bush, lower wishbone/upper wishbone front pivots	Replace in car sets	A116C0036F R/B	A116C0068F	6
18	Bolt, M10 x 70, hex. hd., damper top fix.			A075W2058Z	2
19	Washer, flat, M10 x 20 5 x 1.8			A075W4024Z	22
20	Spacer, damper to top mounting bracket			A111C0061F	4
21	Nyloc Nut, M10, damper fixings			A100W3112F	4
22	Damper Mounting Bracket, LH			B111C0033F	1
22a	Damper Mounting Bracket, RH			B111C0034F	1
23	Bolt, M8 x 25, hex, hd., bracket to chassis			A111W1156F	4
24	Washer, flat, M8 x 16.6, bracket to chassis			A111W4164F	4
25	Nyloc Nut, M8, bracket to chassis			A075W3010Z	4
26	Ball Joint		B111C6012F R/B	C111C6012F	4
27	Nyloc Nut, M12 x 1.5, ball joint		A111C6019S R/B	A100C6019F	2
28	Pivot Bolt, M10 x 80, hex. hd., wishbone upper front			A075W2061Z	2
29	Nyloc Nut, M10, wishbone upper to chassis			A100W3112F	4
30	Shim, castor adjustment			A111C0077F	6
31	Snubber Washer, rubber coated, upper wishbone			A111C0081F	2
32	Shim, castor adjustment, small			A111C0080F	8
33	Pivot Bolt, M10 x 75mm, hex. hd., wishbone upper rear			A075W2059Z	2
34	Nyloc Nut, M10, wishbone lower to chassis fix			A100W3112F	4
35	Wishbone Assembly, lower, LH	Includes balljoint & bushes	A117C0035J R/B	B117C0035J	1

ELISE

Function Code: 31.01, Page: 2

Updated 1st August 2015

Function Code 31.01 Front Suspension, Incl. Hubs

<u>Dep</u>	<u>Part Description</u>	<u>Remarks</u>	<u>Option</u>	<u>Part Number</u>	<u>Qty</u>
35a	Wishbone Assembly, lower, RH	Includes balljoint & bushes	A117C0034J R/B	B117C0034J	1
36	Anti-Roll Bar Drop Link			A111C0063F	2
37	Washer, flat, M10 x 24 x 1.5, drop link fix			A075W4023F	4
38	Nyloc Nut, M10 x 1.25, drop link fix			A111W3152F	4
39	Pivot Bolt, M10 x 85, hex. hd., wishbone lower			A079W2063F	4
40	Anti-Roll Bar			A111C0111F	1
41	Clamp Bracket, A/R bar			A111C0107F	2
42	Pivot Bush, rubber, A/R bar.			A111C0094F	2
43	Spacer Plate, A/R bar fixing			A111C0109F	2
44	Screw, M8 x 30, skt. cap hd., A/R bar clamp bracket fixing		A111W1161F R/B	A117W7215F	4
45	Washer, flat, M8			A111W4169F	2
46	Washer, flat, M8 x 25 x 1.4			A111W4156F	2
47	Wishbone assembly, upper LH	Includes balljoint & bushes		A117C0029J	1
47a	Wishbone assembly, upper RH	Includes balljoint & bushes		A117C0030J	1
48	Spring/Damper Assembly, front	Blue spot	B117C0040F R/B	D117C0040F	2
48a	Spring/Damper Assembly, sport, front	Adjustable spring platform	Sport 135R/111*	ALS2C6001J	2
49	Anti-Roll Bar, sport, adjustable		Sport 135R/111	A111C0134S	1
50	Mounting Clamp, nylon, A/R bar		Sport 135R/111	A111C0052F	2
51	Bush, A/R bar mount to chassis		Sport 135R/111	A111C0060F	2
52	Bolt, M5 x 45, cap hd., clamp fixing		Sport 135R/111	A082W2106F	2
53	Washer, flat, M5 x 10 x 1.0, clamp fixing		Sport 135R/111	A075W4011Z	2

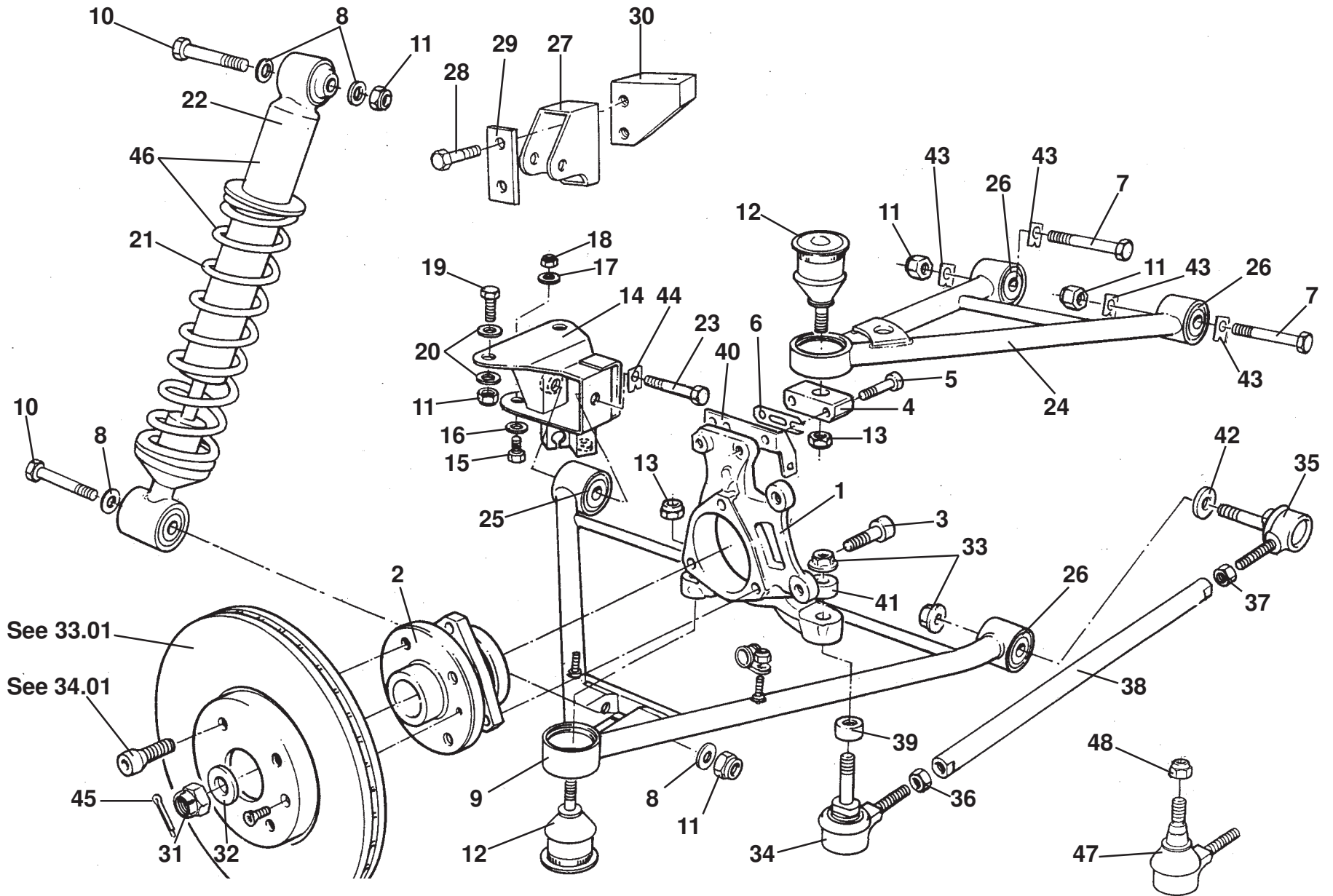
ELISE

Function Code: 31.01, Page: 3

Updated 1st August 2015

Function Code 31.01 Front Suspension, Incl. Hubs

<u>Dep</u>	<u>Part Description</u>	<u>Remarks</u>	<u>Option</u>	<u>Part Number</u>	<u>Qty</u>
54	Nyloc Nut, M5, clamp fixing		Sport 135R/111	A100W3113F	2
55	Pivot Bolt, M10 x 45, hex. hd., front lower wishbone	Also A/R bar clamp	Sport 135R/111	A075W2065F	2
56	Washer, flat, M10 x 20.5 x 1.8, clamp to chassis		Sport 135R/111	A075W4024Z	2
		*Contact Lotus Sport & Performance			



See 33.01

See 34.01

ELISE

31.03

Updated 15th April 2011

Service Parts List **ELISE**



Function Code 31.03 Rear Suspension, Incl. Hubs

<u>Dep</u>	<u>Part Description</u>	<u>Remarks</u>	<u>Option</u>	<u>Part Number</u>	<u>Qty</u>
01	Hub Carrier, forged steel, LH	For parallel ball joint stud	Prior to VIN: 4 0614	A116D0001F	1
01a	Hub Carrier, forged steel, RH	For parallel ball joint stud	Prior to VIN: 4 0614	A116D0002F	1
01b	Hub Carrier, forged steel, LH	For tapered ball joint stud	From VIN: 4 0614	A116D0097F	1
01c	Hub Carrier, forged steel, RH	For tapered ball joint stud	From VIN: 4 0614	A116D0096F	1
02	Hub/Bearing Assembly, LH	Includes wheel speed sensor		A117D6005F	1
02a	Hub/Bearing Assembly, RH	Without wheel speed sensor	A117D6005F R/B	A117D6002F	1
03	Screw, M12 x 40, hex. hd., hub assy. to hub carrier			A116W1170F	6
04	Ball Joint Carrier			B117D0067F	2
05	Bolt, M10 x 50, 10.9G, cap hd., carrier to hub carrier	See Service bulletin 2004/08	A111W7145F R/B	A117W7212F	4
06	Shim, camber adjustment			D111D0052F	As req.
07	Pivot Bolt, M10 x 55, hex. hd., upper wishbone F & R			A079W2057F	4
08	Washer, flat, M10 x 20.5			A075W4024Z	22
09	Lower Wishbone Assembly, LH	Includes balljoint & bushes	A117D0047J R/B	C116D0081J	1
09a	Lower Wishbone Assembly, RH	Includes balljoint & bushes	A117D0046J R/B	C116D0080J	1
10	Bolt, M10 x 55, hex. hd., spring/damper fixing			A079W2057F	4
11	Nyloc Nut, M10, 8.8 grade			A100W3112F	12
12	Ball Joint			B111C6012F	4
13	Nyloc Nut, M12 x 1.5, balljoint		A111C6019S R/B	A100C6019F	4

ELISE

Function Code: 31.03, Page: 1

Updated 1st August 2013

Function Code 31.03 Rear Suspension, Incl. Hubs

<u>Dep</u>	<u>Part Description</u>	<u>Remarks</u>	<u>Option</u>	<u>Part Number</u>	<u>Qty</u>
14	Bracket, lower wishbone to chassis, LH			A117D0059F	1
14a	Bracket, lower wishbone to chassis, RH			A117D0060F	1
15	Bolt, M8, bracket to chassis			A111W1156F	4
15	Bolt, M8, bracket to chassis			A111W1156F	4
17	Washer, flat, upper, M8 x 20.5 x 1.5 S/S			A111W4176F	4
18	Nyloc Nut, M8			A907E6284F	4
19	Screw, M10 x 25, hex. hd., bracket to chassis			A111W1157F	4
20	Washer, flat, M10			A111W4163F	4
21	Road Spring			A117D0056H	2
22	Damper		D117D0009H R/B	E117D0009H	2
23	Pivot Bolt, M10 x 65, hex. hd., lower wishbone front			A075W2056Z	2
24	Upper Wishbone Assembly, LH	Includes balljoint & bushes		A117D0033J	1
24a	Upper Wishbone Assembly, RH	Includes balljoint & bushes		A117D0034J	1
25	Bush, lower wishbone front pivot (short)		A111D0061F R/B	A116C0067F	4
26	Bush, lower wishbone rear/upper wishbones	Replace in car sets	A116C0036F R/B	A116C0068F	6
27	Bracket, damper top mount			A117D0058F	2
28	Screw, M10 x 30, hex. hd., damper bracket to chassis			A111W1158F	4
29	Spreader Plate, damper bracket			A117D0065F	2
30	Adaptor Block, bracket to chassis, LH			A111A0003F	1
30a	Adaptor Block, bracket to chassis, RH			A111A0002F	1
31	Nut, castellated, shaft to hub			A116D6001F	2

ELISE

Function Code: 31.03, Page: 2

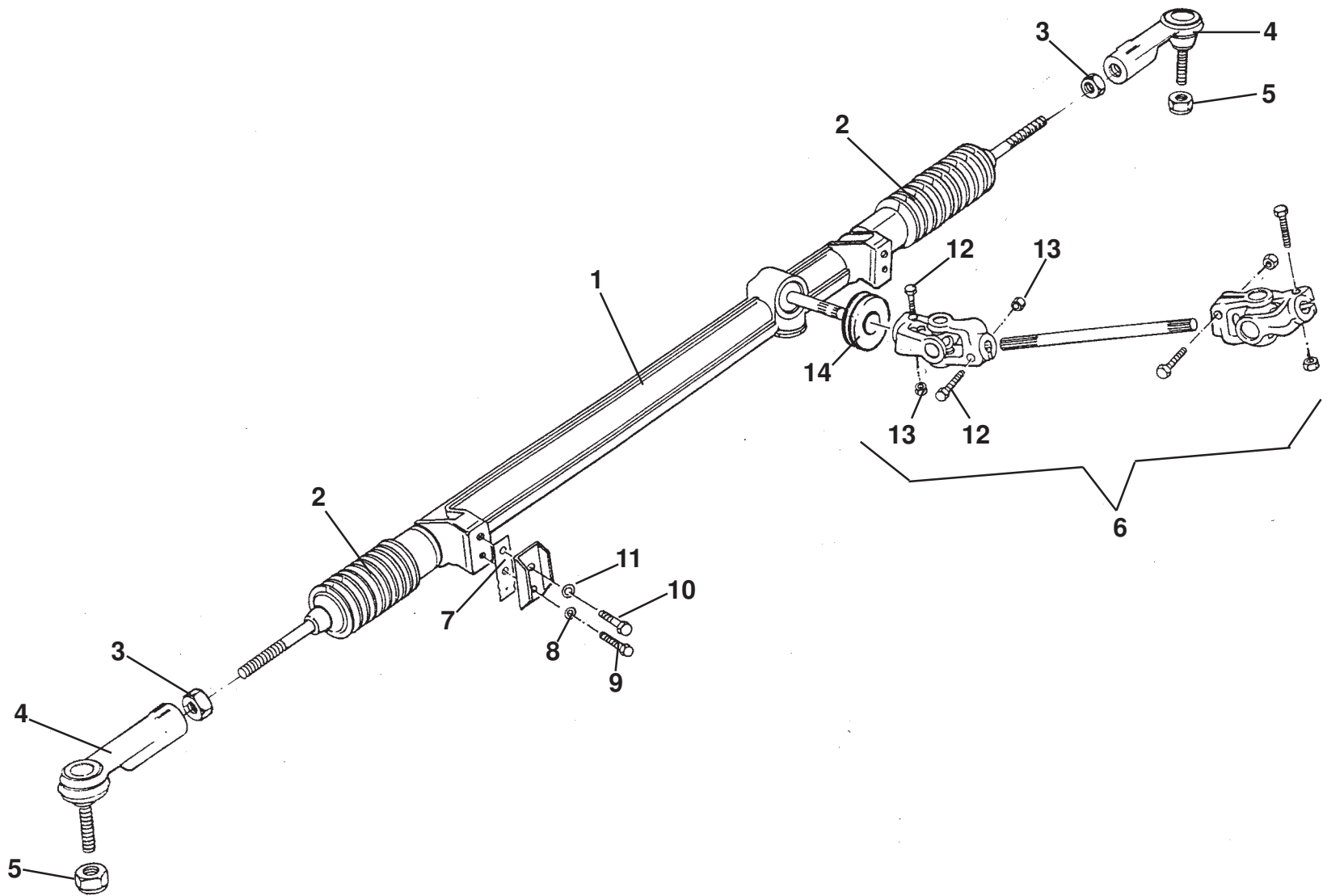
Updated 1st August 2013

Function Code 31.03 Rear Suspension, Incl. Hubs

<u>Dep</u>	<u>Part Description</u>	<u>Remarks</u>	<u>Option</u>	<u>Part Number</u>	<u>Qty</u>
32	Washer, flat, nut to shaft		A116D6002F R/B	A082D6025F	2
33	Locknut, flange, cleave, M10 x 1.5, toe link fixing	Torque to 74 Nm*	Prior to VIN: 3 4669	A117W3177F	4
33a	Locknut, flange, cleave, M10 x 1.25, toe link fixing	See Service Bulletin 2003/11	From VIN: 3 4669, A116W3183F R/B	A117W3189F	4
34	Ball Joint, outer, RH thread, M10 x 1.5 x 45 stud		Prior to VIN: 3 4669	A116D0034F	2
34a	Ball Joint, outer, RH thread, M10 x 1.25 x 45 stud	See Service Bulletin 2003/11	From VIN: 3 4669	A117D0074S	2
35	Ball Joint, inner, LH thread, M10 x 1.5 x 60 stud		Prior to VIN: 3 4669	A116D0035F	2
35a	Ball Joint, inner, LH thread, M10 x 1.25 x 60 stud	See Service Bulletin 2003/11	From VIN: 3 4669 to 4 0613	A117D0090S	2
36	Locknut, M12, RH thread, ball joint to rod			A111W3150F	2
37	Locknut, M12, LH thread, ball joint to rod			A111W3149F	2
38	Toe Link Rod		A116D0053F R/B	B116D0053S	2
39	Selective Spacer, 6mm, bump steer adjusting	Factory fitted		A116D0036F	2
39a	Selective Spacer, 7mm, bump steer adjusting			A116D0037F	2
39b	Selective Spacer, 8mm, bump steer adjusting			A116D0038F	2
39c	Selective Spacer, 9mm, bump steer adjusting			A116D0039F	2
39d	Selective Spacer, 10mm, bump steer adjusting			A116D0040F	2
40	Shim/Bracket, connector retaining, LH		A116C0013F R/B	A117D0071F	1
40a	Shim, camber adjustment, RH	Replaces shim/bracket (not req.)	A117D0070F R/B	D111D0052F	1
41	Spacer.10mm, balljoint stud to nut			A111D0147F	2
42	Washer, spacer, ball joint stud to subframe	Anti-rotation washer deleted*	A117A0106F R/B	A117A0118F	2
43	Tab Washer, upper pivot bolts			A116D0031F	8

Function Code 31.03 Rear Suspension, Incl. Hubs

<u>Dep</u>	<u>Part Description</u>	<u>Remarks</u>	<u>Option</u>	<u>Part Number</u>	<u>Qty</u>
44	Tab Washer, lower front pivot bolt			A116D0032F	2
45	Split Pin, nut to shaft			A116D6003F	2
46	Spring/Damper Assembly, rear			D117D0038F	2
46a	Spring/Damper Assembly, sport, rear	Adjustable spring platform	Sport 135R/111**	ALS2D6001J	2
47	Ball Joint, tapered, outer, RH thread, M10 x 1.25 x 45 stud		From VIN; 4 0614	A117D0089S	2
48	Nyloc Nut, M12, balljoint to hub carrier		From VIN; 4 0614	A100C6019F	2
49	Permabond A134, nuts to toe link studs	Not illustrated		A100B6155V	As req.
		*See Service Notes section: DG			
		** Contact Lotus Sport & Performance			



ELISE

32.01

Updated 15th April 2011

Service Parts List **ELISE**



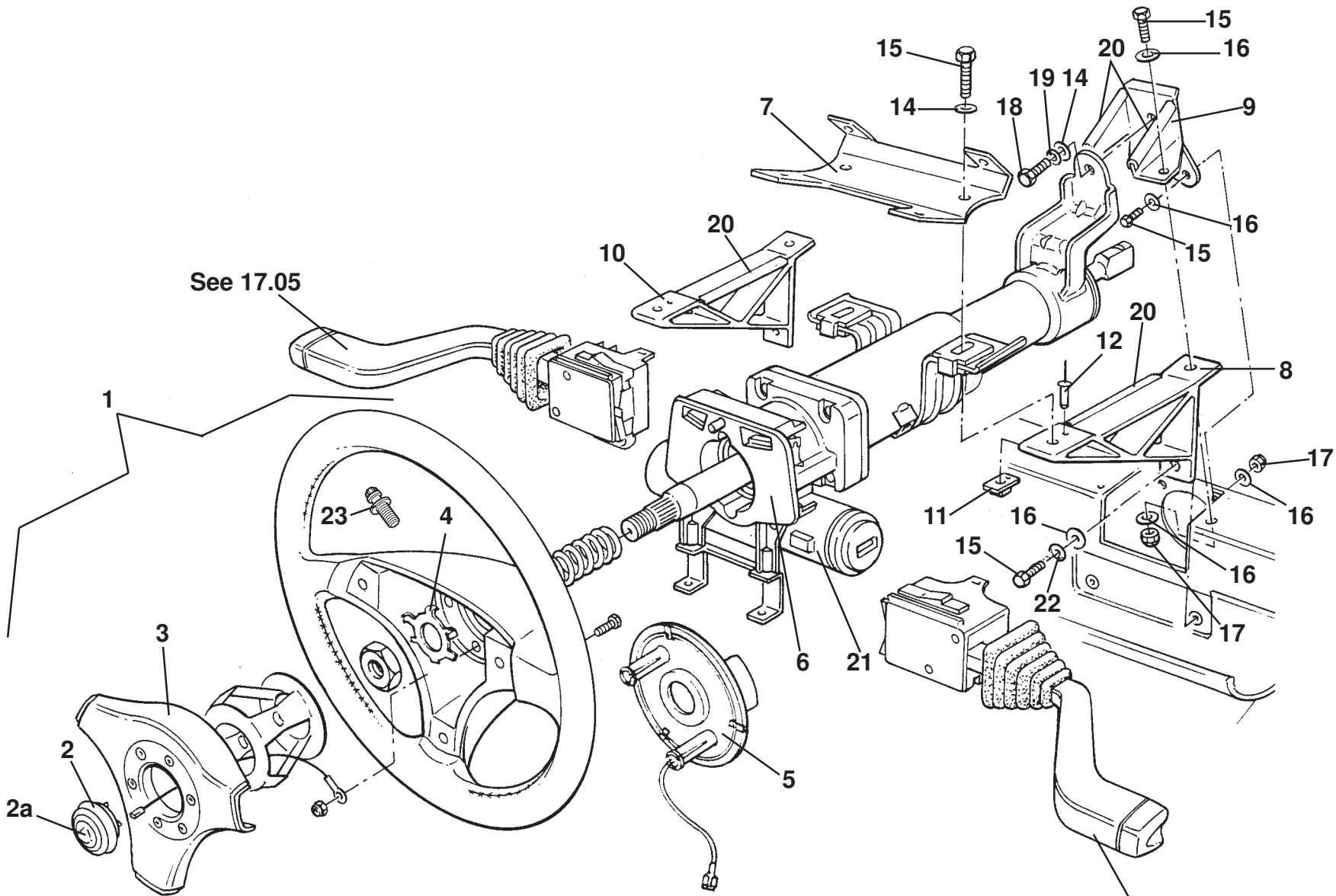
Function Code 32.01 Rack & Pinion, & Lower Column

<u>Dep</u>	<u>Part Description</u>	<u>Remarks</u>	<u>Option</u>	<u>Part Number</u>	<u>Qty</u>
01	Steering Rack Assembly, RHD	Use seal A120H0002F	A117H0020F* R/B	A117H0052F**	1
01a	Steering Rack Assembly, LHD	Use seal A120H0002F	A117H0021F* R/B	A117H0053F**	1
02	Gaiter, steering rack, dia 32mm at rack end	Alloy rack tube	Racks prior to A117H0052/53	B111H6016S	2
02a	Gaiter, steering rack, non-pinion end, dia 38mm at rack end	Steel rack tube**		A120H6004S	1
02b	Gaiter, steering rack, pinion end, dia 45mm at rack end	Steel rack tube**		A120H6005S	1
03	Lock Nut, M12 , track rod end to track rod			A111W3124F	2
04	Track Rod End/Ball Joint	Includes nut, item: 5		A117H0009F	2
05	Nyloc Nut, M10, track rod end to steering arm			A111W3152F	2
06	Intermediate Steering Shaft Assembly	Includes both universal joints	B111H0003F	C111H0003F	1
07	Adjuster Plate, rack height setting (6 notch)			A111H0017F	2
07a	Adjuster Plate, rack height setting (10 notch)		Sport 135R/111	A111H0021F	2
08	Washer, flat, M8, rack mounting			A075W4020Z	2
09	Setscrew, M8 x 25, hex. hd., rack mounting			A082W1110F	2
10	Setscrew, M10 x 30, hex. hd., rack mounting			A100A6028F	2
11	Washer, flat, M10, rack mounting			A075W4024Z	2
12	Bolt, M8 x 40, hex. hd., 10.9 grade, steering shaft to U/J			A918W2171F	4
13	Nyloc Nut, M8, steering shaft to U/J			A075W3010Z	4
14a	Seal, steering shaft thro' bulkhead		Racks A117H0052/53	A120H0002F	1

ELISE

Function Code: 32.01, Page: 1

Updated 4th April 2013



ELISE
32.05

Updated 24th January 2013

Service Parts List **ELISE**



Function Code 32.05 Upper Column, Steering Wheel

<u>Dep</u>	<u>Part Description</u>	<u>Remarks</u>	<u>Option</u>	<u>Part Number</u>	<u>Qty</u>
01	Steering Wheel Assembly	Silver crash pad	Standard	A117U0077F	1
01a	Steering Wheel Assembly (Australia spec.)	Silver crash pad	Standard, '02 MY	A117H6004F	1
01b	Steering Wheel Assembly	Alcantara crash pad	Race Teck Pack	A117U0082J	1
01c	Steering Wheel Assembly (Australia spec.)	Silver alcantara crash pad	Race Teck Pack, '02 MY	A117U0309J	1
01d	Steering Wheel Assembly	Gold alcantara crash pad	'Type 72'	A117H0023J	1
01e	Steering Wheel Assembly	Black leather crash pad	Sports Tourer Pack	A117U0083J	1
01f	Steering Wheel Assembly (Australia spec.)	Black leather crash pad	Sports Tourer Pack, '02 MY	A117U0310J	1
01g	Steering Wheel Assembly	Green tooled leather crash pad	'Type 23'	A117H0025K	1
01h	Steering Wheel Assembly	Ruby tooled leather crash pad	'Type 25'	A117H0029J	1
01i	Steering Wheel Assembly	Scarlet tooled leather crash pad	'Type 49'	A117H0029J	1
01j	Steering Wheel Assembly	Silver crash pad	'04 MY, Standard	A117H0030J	1
01k	Steering Wheel Assembly	Red alcantara crash pad	'04 MY	A117H0031J	1
01l	Steering Wheel Assembly	Black tooled leather crash pad	'04 MY	A117H0047J	1
01m	Steering Wheel Assembly	Cranberry red tooled leather c/p	'04 MY	A117H0049J	1
01n	Steering Wheel Assembly	Harvest brown tooled leather c/p	'04 MY	A117H0050J	1
01o	Steering Wheel Assembly	Ingleton biscuit tooled leather c/p	'04 MY	A117H0051J	1
02	Horn Push, (less badge)			A111H6021H	1
02a	Horn Badge			A111H6023H	1

ELISE

Function Code: 32.05, Page: 1

Updated 24th January 2013

Function Code 32.05 Upper Column, Steering Wheel

<u>Dep</u>	<u>Part Description</u>	<u>Remarks</u>	<u>Option</u>	<u>Part Number</u>	<u>Qty</u>
03	Crash Pad, silver		Standard	A117H0016S	1
03a	Crash Pad, alcantara	State colour with order	Race Tech Pack	A117H0017S	1
03b	Crash Pad, black synthetic leather		Sports Tourer Pack	A117H0018S	1
03c	Crash Pad, scarlet tooled leather		'Type 49'	A117H0039S	1
03d	Crash Pad, ruby tooled leather		'Type 25'	A117H0040S	1
03e	Crash Pad, green tooled leather		'Type 23'	A117H0041S	1
03e	Crash Pad, black tooled leather		'04 MY	A117H0042S	1
03f	Crash Pad, melrose blue tooled leather		'04 MY	A117H0043S	1
03g	Crash Pad, cranberry red tooled leather		'04 MY	A117H0044S	1
03h	Crash Pad, harvest brown tooled leather		'04 MY	A117H0045S	1
03i	Crash Pad, ingleton biscuit tooled leather		'04 MY	A117H0046S	1
04	Lock Plate, steering wheel			A111H6009F	1
05	Horn Contact Plate			A111H6008F	1
06	Upper Steering Column	Includes ign. switch/steering lock		A117H6001F	1
07	Bracket, upper steering column			B111H0006F	1
08	Column Mounting Bracket, RH			E117U0016F	1
09	Bracket, forward column mounting			B111H0004F	1
10	Column Mounting Bracket, LH			E117U0135F	1
11	Nutplate, upper column support			B111H0007F	2
12	Pop Rivet, nutplate to bracket			A111W6586F	2
13	Bolt, M8 x 35, hex. hd., column to bracket			A075W2038D	2

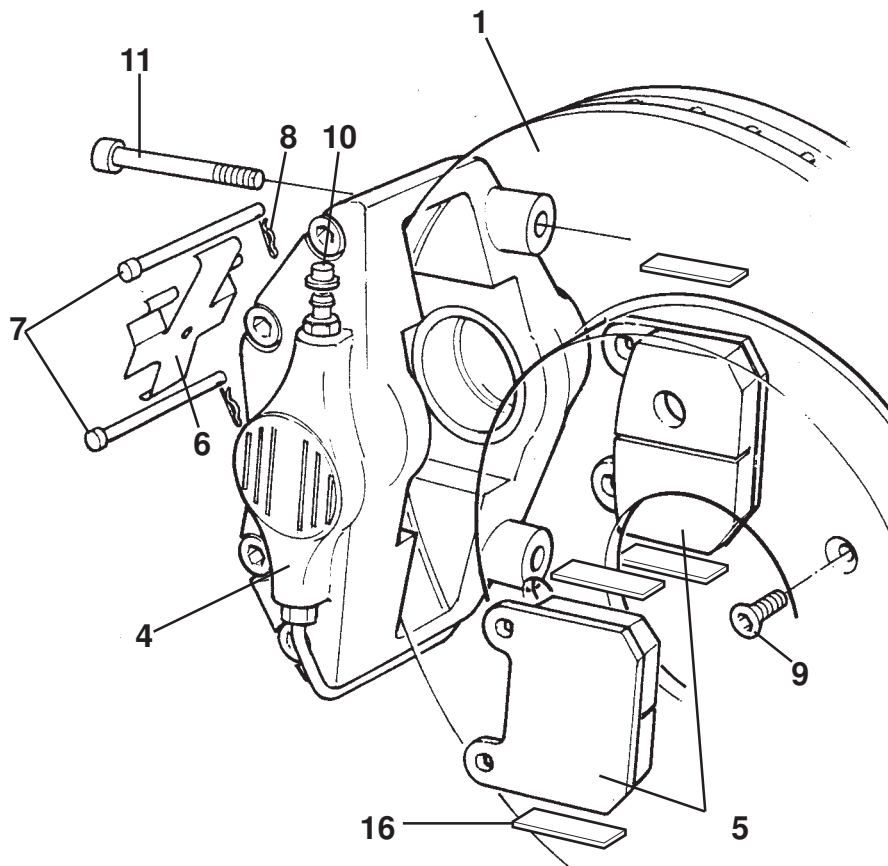
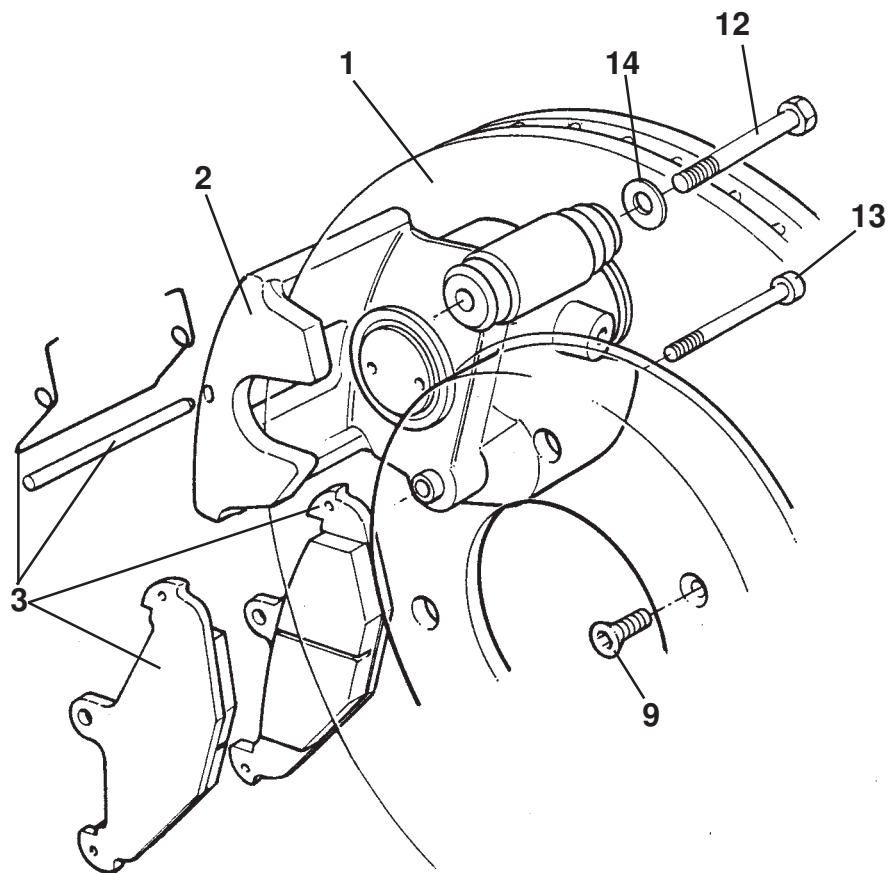
ELISE

Function Code: 32.05, Page: 2

Updated 24th January 2013

Function Code 32.05 Upper Column, Steering Wheel

<u>Dep</u>	<u>Part Description</u>	<u>Remarks</u>	<u>Option</u>	<u>Part Number</u>	<u>Qty</u>
14	Washer, flat, M8 x 20 x 2.5			A079W4019F	3
15	Setscrew, M6 x 16, side to forward brk/chassis			B075W1028Z	4
16	Washer, flat, M6 x 12.1 x 1.4			A075W4013Z	8
17	Nyloc Nut, M6			A907E6258F	4
18	Setscrew, M8 x 16 hex. hd., front mounting			A075W1036Z	1
19	Washer, spring, M8			A075W4036Z	1
20	Rubber Beading, bracket edge protection			B075U6054V	0.3M
21	Steering Lock Housing	Excluding lock barrel, see 10.17, item 1		A111H6003S	1
22	Washer, spring, M6			A075W4035F	2
23	Shear Bolt, steering lock			A111H6026S	2
24	Splined Hub, steering wheel	Not illustrated, part of wheel assy., item 1		A111H6018S	1



ELISE
33.01

Updated 15th March 2012

Service Parts List **ELISE**



Function Code 33.01 Brake Discs, Calipers, & Parking Brake Assembly

<u>Dep</u>	<u>Part Description</u>	<u>Remarks</u>	<u>Option</u>	<u>Part Number</u>	<u>Qty</u>
01	Brake Disc	B117J0028F R/B	Standard	C117J0028F	4
01a	Brake Disc, cross drilled	A117J0031F R/B	Sports Tourer/Race Tech	C117J0031F	4
02	Brake Caliper, rear, RH	Includes brake pads, T4139	Lead free pads	B116J0080F	1
02a	Brake Caliper, rear, RH	No brake pads		B116J0082S	1
02b	Brake Caliper, rear, LH	Includes brake pads, T4139	Lead free pads	B116J0079F	1
02c	Brake Caliper, rear, LH	No brake pads		B116J0081S	1
03	Brake Pad Set , lead free, rear		A117J0085S R/B	B117J0085S	1
04	Brake Caliper, front RH	Includes brake pads	Standard B117J0012F R/B	C117J0012F	1
04a	Brake Caliper, front LH	Includes brake pads	Standard B117J0011F R/B	C117J0011F	1
04b	Brake Caliper, front, black, RH	Includes brake pads	Optional B117J0034F R/B	C117J0034F	1
04c	Brake Caliper, front, black, LH	Includes brake pads	Optional B117J0035F R/B	C117J0035F	1
04c	Brake Caliper, front RH	Includes brake pads, T4139	Lead free pads	A117J0132F	1
04d	Brake Caliper, front LH	Includes brake pads, T4139	Lead free pads	A117J0131F	1
04e	Brake Caliper, front, black, RH	Includes brake pads, T4139	Lead free pads	A117J0134F	1
04f	Brake Caliper, front, black, LH	Includes brake pads, T4139	Lead free pads	A117J0133F	1
05	Brake Pad Set, lead free, front		A117J0084S R/B	B117J0084S	1
05a	Shims, metal, pad front, RH	Not illustrated, if original fitted		A117J0114H	1
05b	Shims, metal, pad front, LH	Not illustrated, if original fitted		A117J0115H	1

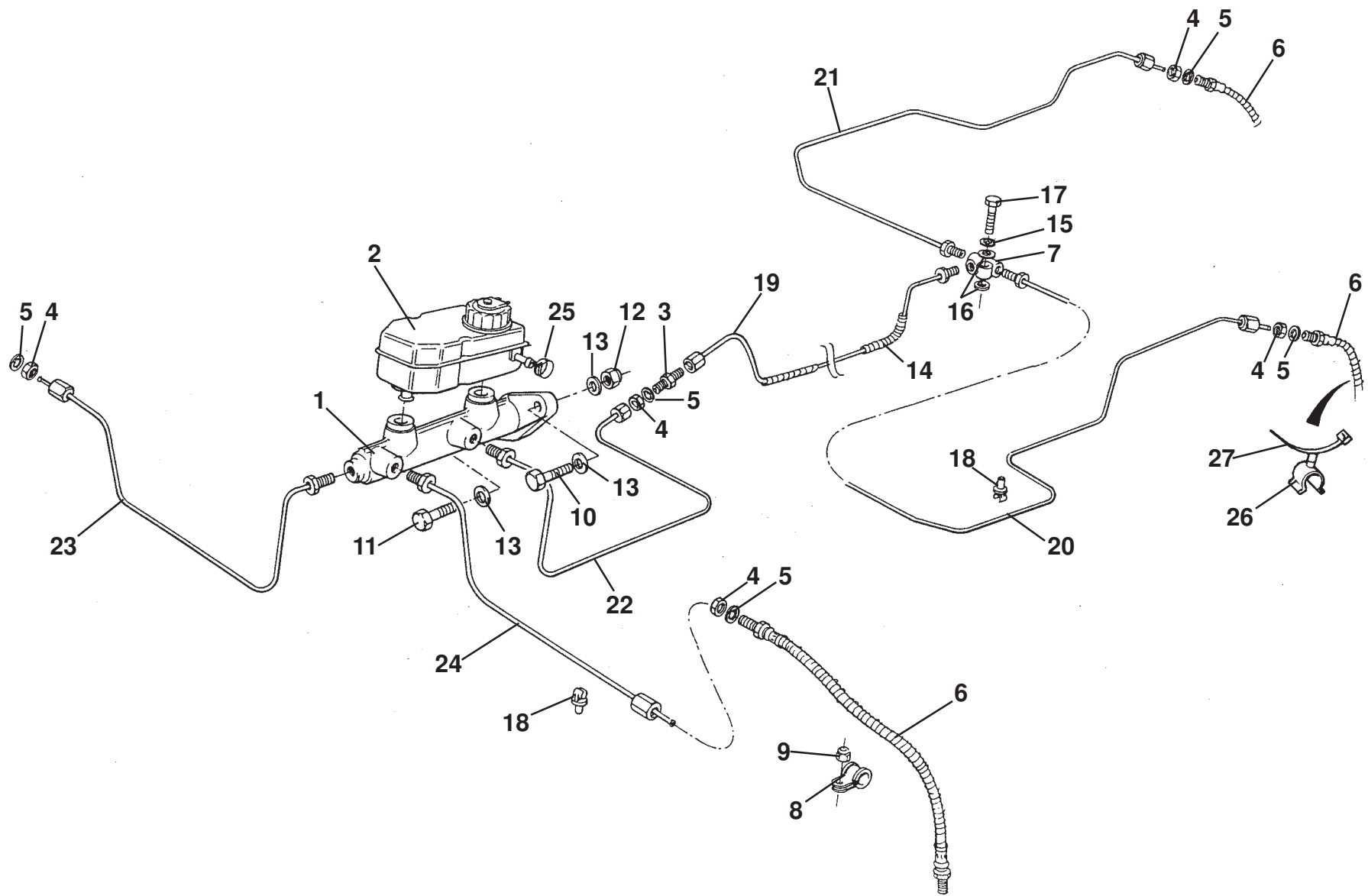
ELISE

Function Code: 33.01, Page: 1

Updated 3rd April 2017

Function Code 33.01 Brake Discs, Calipers, & Parking Brake Assembly

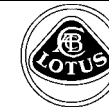
<u>Dep</u>	<u>Part Description</u>	<u>Remarks</u>	<u>Option</u>	<u>Part Number</u>	<u>Qty</u>
06	Anti-Rattle Spring, front brake pads		A111J0098F R/B	B111J0098H	2
07	Pin, front pad retaining		A111J0123F R/B	B111J0123H	4
08	' R' clip, pin retention			A075W6175F	4
09	Screw, M6 x 16, csk., skt., hd., disc to hub			A918W7120F	4
10	Nipple Cover, front brake bleed			A111J6029F	2
11	Bolt, M10 x 65, cap hd., front caliper fixing			A111W7144F	4
12	Bolt, M10 x 80, hex. hd., rear caliper fixing			B082W1113F	2
13	Bolt, M8 x 60, cap hd., rear caliper fixing	Black finish		A111W1166F	2
14	Washer, flat, M10 x 20.5, rear caliper upper fixing bolt			A075W4024Z	2
15	Sliding Pin Bush Kit, rear calipers	Includes sleeves, boots & seals		A082J6162S	2
16	Buffer, front brake pads			A111J6030S	4
17	Piston Retraction Tool, rear calipers	Not illustrated		T000T1242F	1



ELISE
33.03

Updated 15th April 2011

Service Parts List **ELISE**



Function Code 33.03 Master Cylinder, Servo, ABS Controller, Pipes & Hoses

<u>Dep</u>	<u>Part Description</u>	<u>Remarks</u>	<u>Option</u>	<u>Part Number</u>	<u>Qty</u>
01	Tandem Master Cylinder		A111J0079F R/B	A111J6001L	1
02	Reservoir		A111J6002F	B111J6002F	1
03	Bulkhead Connector			A089J6013F	1
04	Nut, M10 x 1.0, thin Zn			A075J6017Z	4
05	Washer, M10, internal shakeproof			A075W4049Z	4
06	Brake Hose, pipe to caliper, front & rear		A082J4390F R/B	A120J0044F	4
07	Connector Three Way, brakepipes			B075J6019F	1
08	Clip, 10dia. x 15 wide, hose retention	Upper front, lower rear wishbones		A111W6595F	4
09	Nyloc Nut, M6, thin Zn			A907E6285F	4
10	Setscrew, M8 x 25, master cylinder to pedal box			A075W1039Z	1
11	Setscrew, M8 x 20, master cylinder to pedal Box			A075W1038Z	1
12	Nyloc Nut, M8 , master cylinder to pedal pox			A111W3126F	1
13	Washer, flat, M8			A075W4020Z	3
14	Spirathene Protector, front to rear pipe			A111J6023V	800mm
15	Washer, spring, M6			A075W4035Z	1
16	Washer, flat M6 x 12.1 x 1.4			A075W4013Z	2
17	Bolt, M6 x 35, long hex. hd.		A075W2028Z R/B	A075W1033Z	1
18	Nylon Clip			A075J6027Z	11

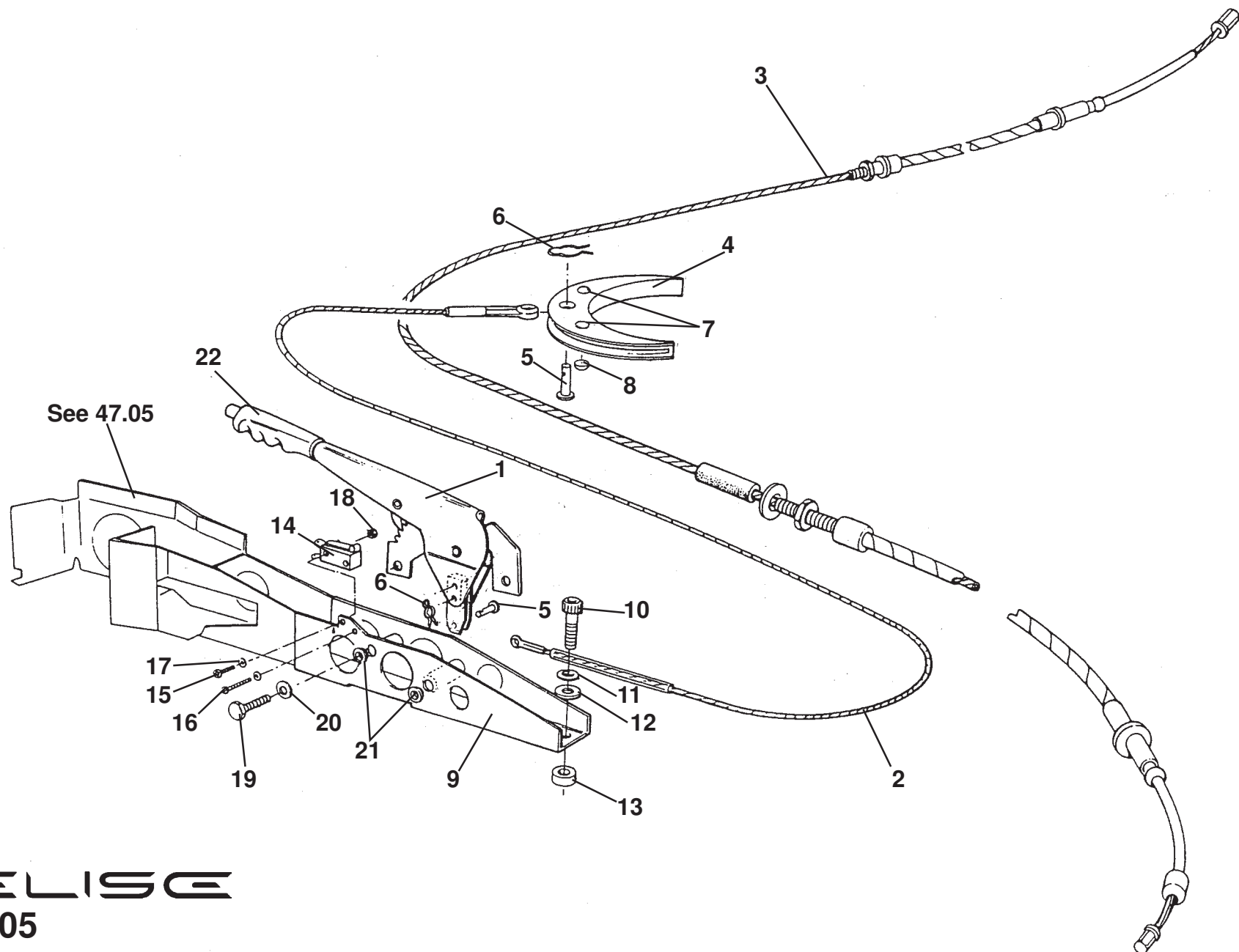
ELISE

Function Code: 33.03, Page: 1

Updated 1st August 2014

Function Code 33.03 Master Cylinder, Servo, ABS Controller, Pipes & Hoses

<u>Dep</u>	<u>Part Description</u>	<u>Remarks</u>	<u>Option</u>	<u>Part Number</u>	<u>Qty</u>
19	Brake Pipe, front to rear			A111J0059F	1
20	Brake Pipe, rear LH			C117J0015F	1
21	Brake Pipe, rear RH			C117J0014F	1
22	Brake Pipe, front main RHD			B111J0060K	1
22a	Brake Pipe, front main LHD			B111J0061K	1
23	Brake Pipe, front RH, RHD			B111J0062F	1
23a	Brake Pipe, front RH, LHD			A111J0064F	1
24	Brake Pipe, front LH,RHD			A111J0063F	1
24a	Brake Pipe, front LH, LHD			B111J0065F	1
25	Hose Clip, reservoir to clutch master cyl. pipe	Also see 47.01		A079W6189F	1
26	Swivel Clip, rear hoses to toe links			A089W6287F	2
27	Cable Tie, rear hoses to toe links			A082W6324F	2



ELISE
33.05

Updated 15th April 2011

Service Parts List **ELISE**



Function Code 33.05 Parking Brake Mechanism

<u>Dep</u>	<u>Part Description</u>	<u>Remarks</u>	<u>Option</u>	<u>Part Number</u>	<u>Qty</u>
01	Parking Brake Assembly, without hand grip	Order grip separately if req.	A111J0002F R/B	B111J0002F	1
02	Cable, parking brake primary	Cable with no coating, clear sleeving		B111J0025F	1
02a	Cable, parking brake primary	Cable with black coating, clear sleeving		B120J0005H	1
03	Cable, parking brake secondary	Also order item 02a if fitted with item 02	A117J0105F R/B	A120J0039F	1
04	Equaliser, handbrake	Including upper and lower foam	A111J6014H R/B	A117J0120F	1
05	Clevis Pin, dia 8 x 10.5			A111W6674F	2
06	'R' Clip			A075W6175F	2
07	Bumper, self adhesive	not used R/B foam		A111J6025F	2
08	Bumper, self adhesive	not used R/B foam		A111J6027F	2
09	Mounting Channel, parking brake assembly			C111J0027F	1
10	Screw, M8 x 30, cap hd.			A089W7052F	2
11	Washer, spring M8			A075W4036Z	2
12	Washer, flat M8 x 16.6 x 1.4			A075W4020Z	2
13	Spacer, parking brake channel to floor			A111J0030K	2
14	Switch, parking brake tell tale			A111M6025F	1
15	Screw, M3 x 16 pan hd. pozi.			A082W5110F	1
16	Screw, M3 x 20 pan hd. pozi.			A082W5163F	1

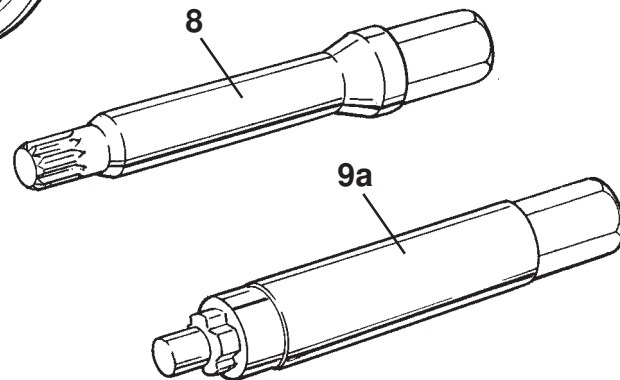
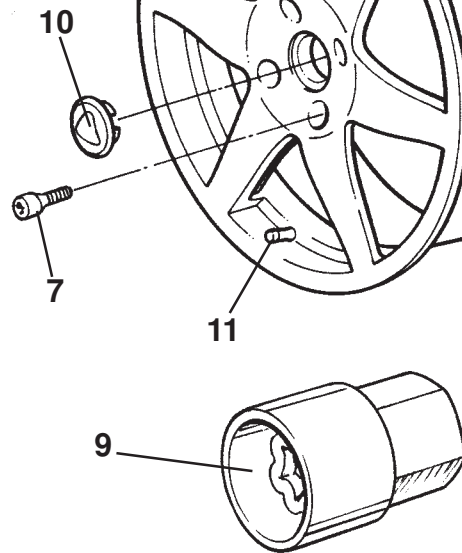
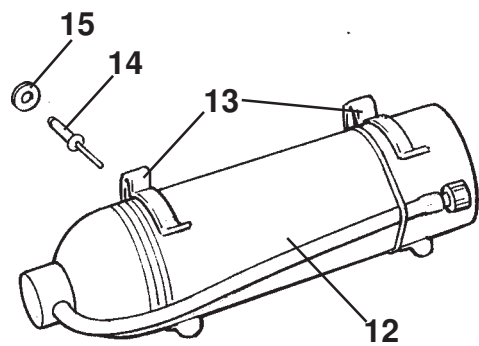
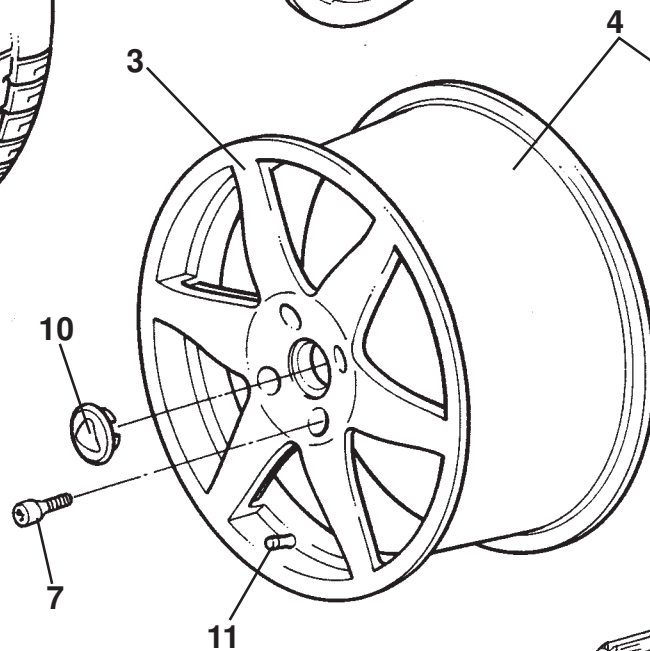
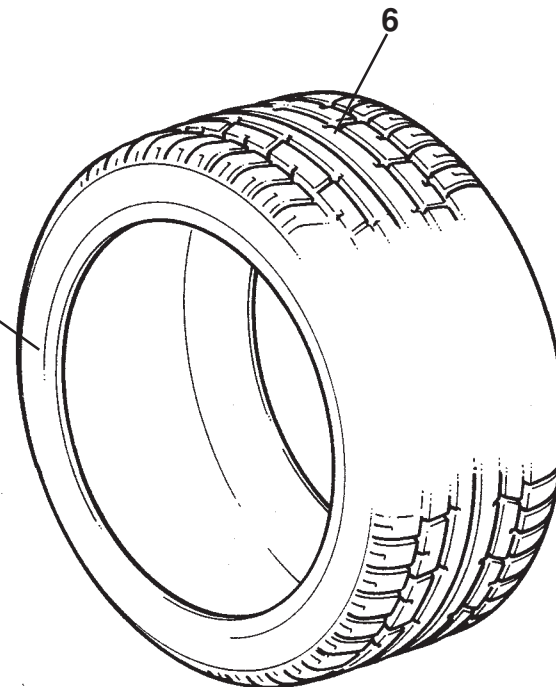
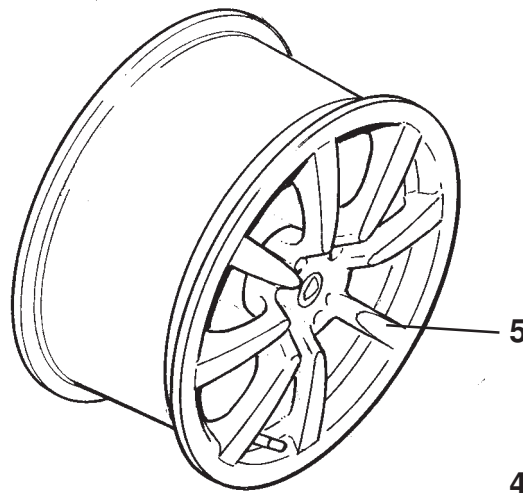
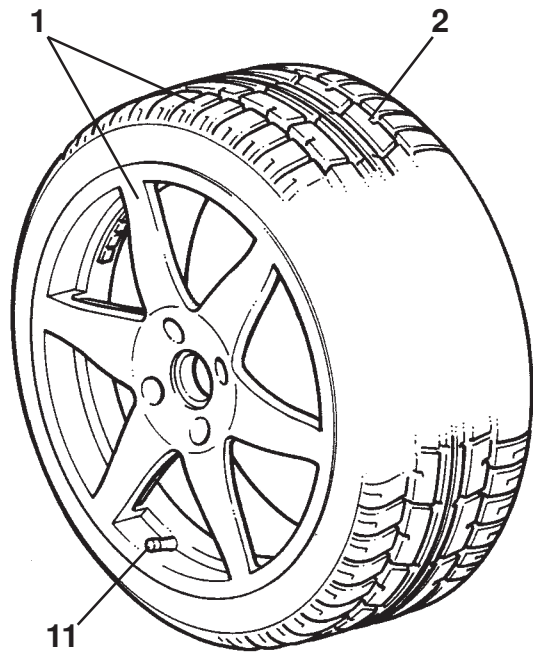
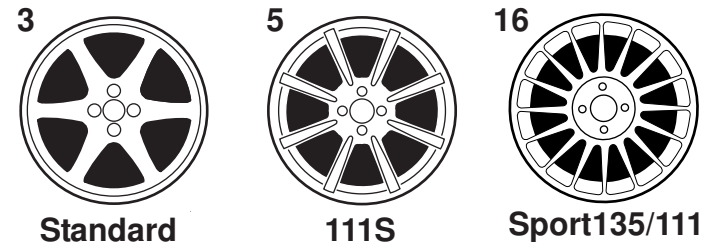
ELISE

Function Code: 33.05, Page: 1

Updated 1st July 2014

Function Code 33.05 Parking Brake Mechanism

<u>Dep</u>	<u>Part Description</u>	<u>Remarks</u>	<u>Option</u>	<u>Part Number</u>	<u>Qty</u>
17	Washer, flat M3 x 7			A100W4125F	2
18	Nyloc Nut, M3			A079W3060F	2
19	Screw, M8 x 25 hex. thin hd.			A075W1081Z	2
20	Washer, spring, M8			A075W4036Z	2
21	Bush, parking brake			A111J0028K	2
22	Hand-Grip, plastic, parking brake lever		Standard	A111J6037S	1
22a	Hand-Grip, rubber, parking brake lever		'04 MY standard	A116U6001F	1
22b	Hand-Grip, alloy, polished, parking brake lever		Sports Tourer/Race Tech	A117U0084F	1
22c	Hand-Grip, alloy, anodised, parking brake lever			A117U0147F	1



ELISE
34.01

Updated 17th August 2012

Service Parts List **ELISE**



Function Code 34.01 Wheels, Tyres & Valves

<u>Dep</u>	<u>Part Description</u>	<u>Remarks</u>	<u>Option</u>	<u>Part Number</u>	<u>Qty</u>
01	Wheel & Tyre Assy., front, silver wheel, LH	Do not use on 111/111S	Standard	C117G0019F	1
01a	Wheel & Tyre Assy., front, silver wheel RH	Do not use on 111/111S	Standard	C117G0020F	1
01b	Wheel & Tyre Assy., front, black wheel LH	Do not use on 111/111S	Optional	A117G0067F	1
01c	Wheel & Tyre Assy., front, black wheel RH	Do not use on 111/111S	Optional	A117G0068F	1
01d	Wheel & Tyre Assy., front, winter tyre	Standard wheel	Winter use	A117G0134S	2
02	Tyre, front, 175/55 R16, Bridgestone Potenza (DKC)			B117G0005L	2
02a	Winter Tyre, front, 195/50 R16, Pirelli W210 Snowsport	Use OE type wheels	Dealer fit	A117G0119S	2
02b	Tyre, front, 195/50 R16, Yokohama A048	Not illustrated	Sport 135R/111	A122G0013L	2
02c	Tyre, front, 175/55 R16, Yokohama AD07	See SB 2005/15		A121G0007L	2
03	Road Wheel, front, silver, 5.5J x 16	Do not use on 111/111S	Standard	D117G0014H	2
03a	Road Wheel, rear, silver, 7.5J x 17	Do not use on 111/111S	Standard	D117G0015H	2
03b	Road Wheel, front, black, 5.5J x 16	Do not use on 111/111S	Optional	D117G0024H	2
03c	Road Wheel, rear, black, 7.5J x 17	Do not use on 111/111S	Optional	D117G0025H	2
03d	Road Wheel, front, gold, 5.5J x 16	Do not use on 111/111S	'Type 72'	A117G0111H	2
03e	Road Wheel, rear, gold, 7.5J x 17	Do not use on 111/111S	'Type 72'	A117G0112H	2
03f	Road Wheel, front, HP silver, 5.5J x 16	Do not use on 111/111S	'04 MY option	A117G0113H	2
03g	Road Wheel, rear, HP silver, 7.5J x 17	Do not use on 111/111S	'04 MY option	A117G0114H	2
04	Wheel & Tyre Assy., rear, silver wheel, LH	Do not use on 111/111S	Standard	C117G0021F	1

ELISE

Function Code: 34.01, Page: 1

Updated 1st November 2016

Function Code 34.01 Wheels, Tyres & Valves

<u>Dep</u>	<u>Part Description</u>	<u>Remarks</u>	<u>Option</u>	<u>Part Number</u>	<u>Qty</u>
04a	Wheel & Tyre Assy., rear, silver wheel. RH	Do not use on 111/111S	Standard	C117G0022F	1
04b	Wheel & Tyre Assy., rear, black wheel, LH	Do not use on 111/111S	Optional	A117G0069F	1
04c	Wheel & Tyre Assy., rear, black wheel. RH	Do not use on 111/111S	Optional	A117G0070F	1
04d	Wheel & Tyre Assy., rear, winter tyre	Standard wheel	Winter use	A117G0135S	2
05	Road Wheel, front, eight spoke, silver 5.5J x 16	May be used on standard car	111	B117G0026H	2
05a	Road Wheel, rear, eight spoke, silver, 7.5J x 17	May be used on standard car	111	B117G0027H	2
05b	Road Wheel, front, eight spoke, HP silver, dark, 5.5J x 16	May be used on standard car	111S	A117G0087H	2
05c	Road Wheel, rear, eight spoke, HP silver, dark, 7.5J x 17	May be used on standard car	111S	A117G0088H	2
05d	Road Wheel, front, eight spoke, HP silver, light, 5.5J x 16	May be used on standard car	111S	A117G0138S	2
05e	Road Wheel, rear, eight spoke, HP silver, light, 7.5J x 17	May be used on standard car	111S	A117G0139S	2
05f	Road Wheel, front, eight spoke, gold	May be used on standard car	111/111S 'type 49/72'	A117G0089H	2
05g	Road Wheel, rear, eight spoke, gold	May be used on standard car	111/111S 'type 49/72'	A117G0090H	2
05h	Road Wheel, front, eight spoke, black	May be used on standard car	111/111S 'type 25'	C117G0028H	2
05i	Road Wheel, rear, eight spoke, black	May be used on standard car	111/111S 'type 25'	B117G0029H	2
06	Tyre. rear, 225/45 R17, Bridgestone Potenza (DCK)			B117G0018L	2
06a	Winter Tyre. rear, 225/45 R17, Pirelli W210 Snowsport	Use OE type wheels	Dealer fit	A117G0121S	2
06b	Tyre, rear, 225/45 R17, Yokohama A048	Not illustrated	Sport 135R/111	A117G0131L	2
06c	Tyre, rear, 225/45 R17, Yokohama AD07	See SB 2005/15		A121G0006L	2
07	Wheel Bolt, socket hd. 25mm thread		Standard	B117G6000F	12
07a	Wheel Bolt, hex. hd. 29mm thread	For OZ 16 spoke wheels	Sport 135R/111	ALS2G6011F	16
08	Wheel Bolt Adaptor, standard bolt			A117G0036F	1

ELISE

Function Code: 34.01, Page: 2

Updated 1st November 2016

Function Code 34.01 Wheels, Tyres & Valves

<u>Dep</u>	<u>Part Description</u>	<u>Remarks</u>	<u>Option</u>	<u>Part Number</u>	<u>Qty</u>
09	Security Wheelbolt Kit, short key	Incl. ID strip & instruction card*		B117G0043F	1
09a	Security Wheelbolt Kit, long key	Kit not available*			
10	Wheel Centre Cover, Lotus logo	50mm dia 13mm deep, flush fitting		A120G0046F	4
10a	Wheel Centre Cover, Lotus logo	OZ 16 spoke wheels	Sport 135R/111	ALS2G6008F	4
11	Tyre Valve			A117G6007H	4
12	Tyre Weld, repair canister			A116G6009F	1
13	Terry Clip, cannister retaining			A111W6590F	2
14	Pop Rivet, clip to bulkhead			A075W6090Z	4
15	Washer, flat, clip to bulkhead			A075W4084F	4
16	Road Wheel, front, OZ 16 spoke, silver, 6.5J x 16	Use bolts, item 7a	Sport 135R/111	BLS2G6006F	2
16a	Road Wheel, rear, OZ 16 spoke, black, 7.5J x 17	Use bolts, item 7a	Sport 135R/111	BLS2G6005F	2
16b	Road Wheel, front, OZ 16 spoke, black, 6.5J x 16	Use bolts, item 7a	Sport 135R/111	BLS2G6003F	2
16c	Road Wheel, rear, OZ 16 spoke, silver, 7.5J x 17	Use bolts, item 7a	Sport 135R/111	BLS2G6007F	2
17	Adhesive Foam	Not illustrated		A111P6044V	200mm

*For replacement bolt keys
contact Aftersales quoting ID code



A111G0004F 5.5 x 15
A111G0005F 7.0 x 16
Silver



A111G6030S 6.0 x 15
A111G6031S 8.0 x 16
A111G6026S 5.5 x 15
A111G6027S 7.0 x 16
Silver



A111G6032S 6.0 x 15
A111G6033S 8.0 x 16
A111G6028S 5.5 x 15
A111G6029S 7.0 x 16
Grey



A128G0007F 7.0 x 16
A128G0008F 8.0 x 17
Satin black



ALS3G0064F 7.0 x 16
ALS3G0065F 8.0 x 17
Gloss black



ALS3G0066F 7.0 x 16
ALS3G0067F 8.0 x 17
HP silver



ALS3G0062F 7.0 x 16
ALS3G0063F 8.0 x 17
Glitter silver



A127G0001F 7.0 x 16
A127G0002F 8.0 x 17
Satin black



A127G0004F 7.0 x 16
A127G0003F 8.0 x 17
Silver



ALS3X0129F 7.0 x 16
ALS3X0130F 8.0 x 17
Black/silver (Type 25)



A122G0017S 7.0 x 16
A122G0018S 8.0 x 17
Black/gold (Type 72)



A128G0003F 6.0 x 16
A128G0004F 8.0 x 17
Satin black



A128G0005F 6.0 x 16
A128G0006F 8.0 x 17
Silver

Elise MK1 (Rover p/train)


Elise MK2 (Rover p/train)

Elise MK2 (Toyota p/train)


Exige MK1 (Rover p/train)

Exige MK2 (Toyota p/train)

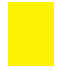


 A111G0012F 5.5 x 15
A111G0013F 7.5 x 16
HP silver




 A111G0029F 5.5 x 15
A111G0031F 7.5 x 16
Gold (Type 49 JPS)





 D117G0014H 5.5 x 16
D117G0015H 7.5 x 17
Glitter silver




 A117G0111H 5.5 x 16
A117G0112H 7.5 x 17
Gold (Type 72)




 A117G0113H 5.5 x 16
A117G0114H 7.5 x 17
 A131G0006H 5.5 x 16
B131G0001H 7.5 x 17
HP silver




 D117G0024H 5.5 x 16
D117G0025H 7.5 x 17
Black




 A120G0057F 5.5 x 16
A120G0058F 7.5 x 17
Stealth grey




 A120G0042H 6.0 x 16
A120G0032H 6.5 x 16
A120G0033H 7.5 x 17
HP silver




 A120G0047H 6.0 x 16
A120G0026H 6.5 x 16
A120G0027H 7.5 x 17
Black




 A121G0013H 6.5 x 16
A121G0015H 7.5 x 17
Anodised




 A117G0124H 6.5 x 16
A117G0019H 7.5 x 17
Silver




 B117G0026H 5.5 x 16
B117G0027H 7.5 x 17
Silver





 A117G0089H 5.5 x 16
A117G0090H 7.5 x 17
Gold





 B117G0087H 5.5 x 16
A117G0088H 7.5 x 17
HP silver dark




 A117G0138S 5.5 x 16
A117G0139S 7.5 x 17
 A,B121G0005H 7.5 x 17
HP silver light





 C117G0028H 5.5 x 16
B117G0029H 7.5 x 17
 A120G0023H 7.5 x 17
Black





 A120G0059H 5.5 x 16
A120G0060H 7.5 x 17
Satin black

 Elise MK1 (Rover p/train)

 Elise MK2 (Rover p/train)

 Elise MK2 (Toyota p/train)

 Exige MK1 (Rover p/train)

 Exige MK2 (Toyota p/train)



■ A111G0042F 7.0 x 16
A111G0043F 8.5 x 17
Black



■ A111G6040F 5.5 x 15
A111G6041F 7.0 x 16
Silver



■ T A120G0052H 5.5 x 16
A120G0053H 7.5 x 17
Silver



■ T A120G0054H 5.5 x 16
A120G0055H 7.5 x 17
Black



■ A120G0048F 6.0 x 16
A120G0049F 8.0 x 17
HP silver



■ A120G0061F 6.0 x 16
A120G0062F 8.0 x 17
Black



■ A122G0015F 7.0 x 16
A122G0016F 8.0 x 17
Gloss antracite



■ A704G0001F 7.0 x 16
A704G0002F 8.0 x 17
Black (Elise Cup)



■ A704G0003F 7.0 x 16
A704G0004F 8.0 x 17
HP silver (Elise Cup)



■ T A147G0001F 6.0 x 16
A147G0002F 8.0 x 17
Black



■ T A147G0003F 6.0 x 16
A147G0004F 8.0 x 17
HP silver



■ T A147G0008F 6.0 x 16
A147G0009F 8.0 x 17
Black (Diamond Cut)



■ A120G0067F 6.0 x 16
A120G0068F 8.0 x 17
Black



■ A120G0065F 6.0 x 16
A120G0066F 8.0 x 17
Silver



■ A147G0014F 6.0 x 16
A147G0015F 8.0 x 17
Gold (Elise GP Cup 250)

T TPMS compatible for 17.5 MY

■ Elise MK1 (Rover p/train) ■ Elise MK2 (Rover p/train) ■ Elise MK2 (Toyota p/train) ■ Exige MK1 (Rover p/train) ■ Exige MK2 (Toyota p/train)



■ BLS2G6006F 6.5 x 16
■ BLS2G6007F 7.5 x 17
 Silver

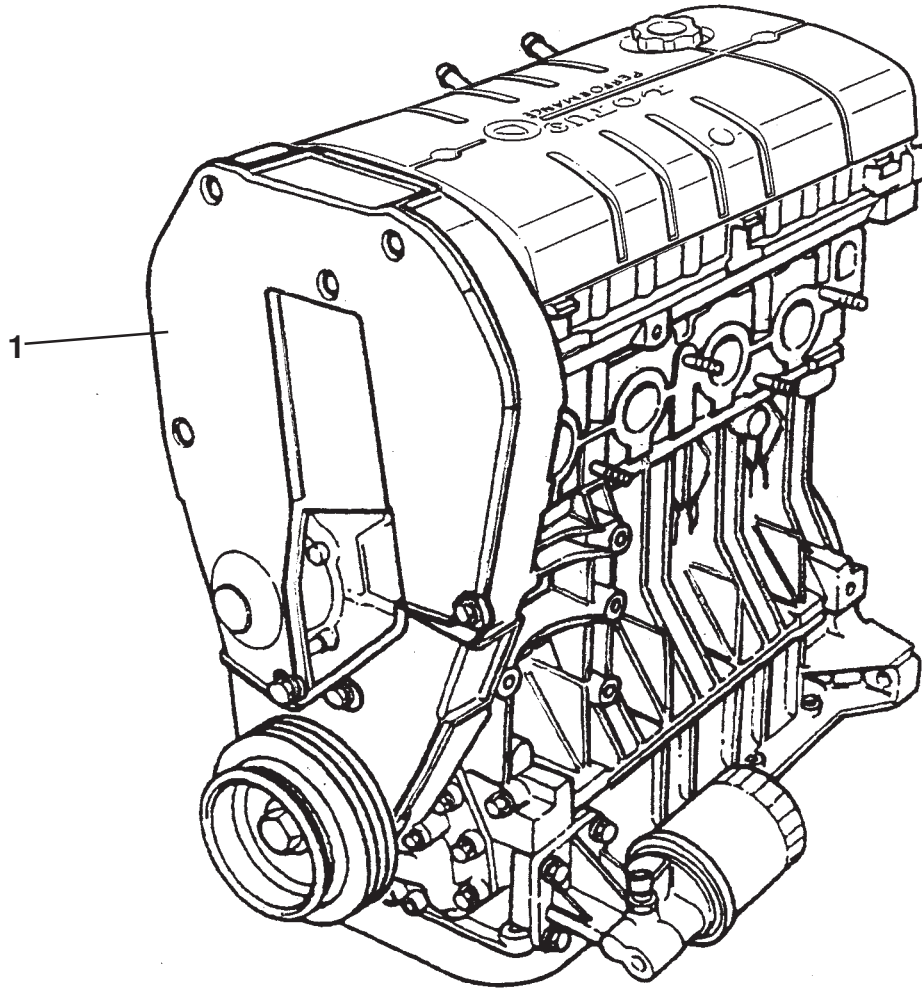
■ BLS2G6003F 6.5 x 16
■ BLS2G6005F 7.5 x 17
 Black

■ LOTAC05382 6.5 x 16
■ LOTAC05383 7.5 x 17
 Silver

■ A122G0007H 6.5 x 16
■ A122G0008H 7.5 x 17
 Black

■ A120G0063S 6.5 x 16
■ A120G0064S 7.5 x 17
 Gold (Type 72)

T TPMS compatible for 17.5 MY



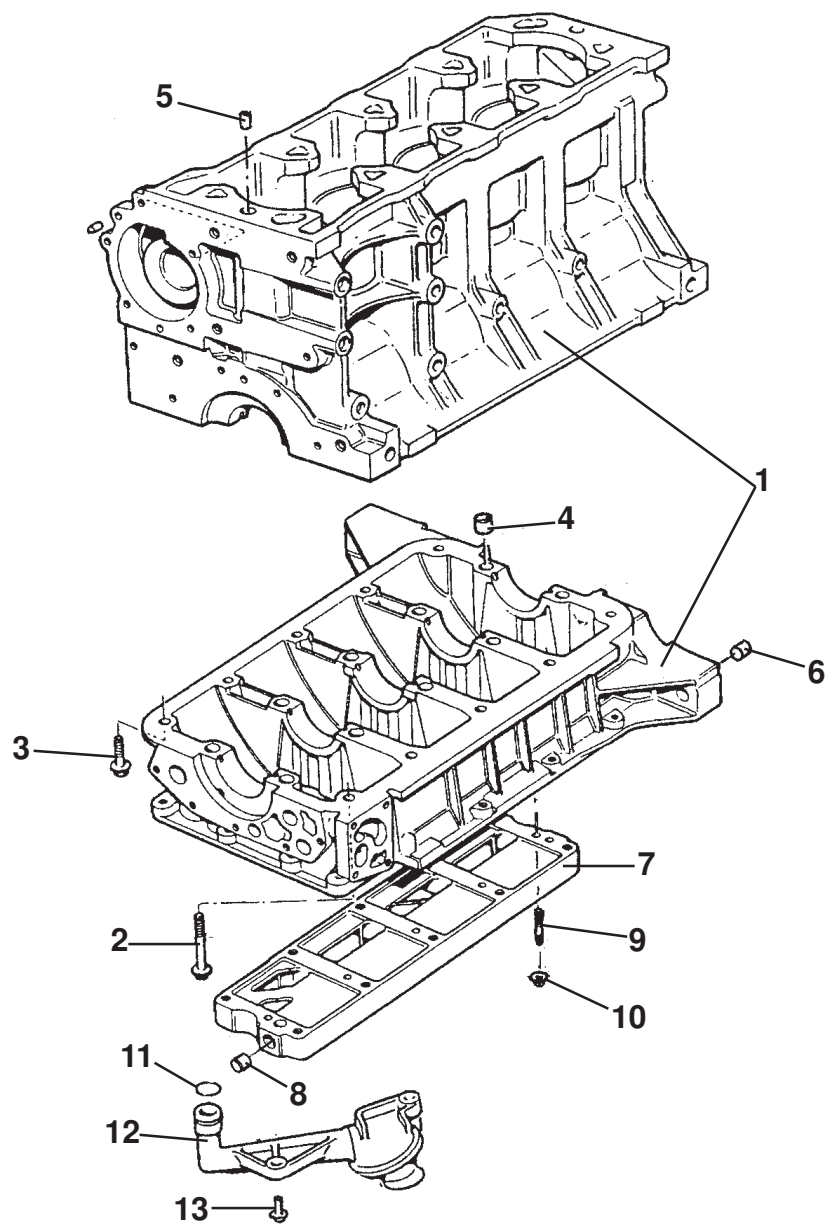
ELISE

40.00

Updated 15th April 2011

Function Code 40.00 Engine Assemblies

<u>Dep</u>	<u>Part Description</u>	<u>Remarks</u>	<u>Option</u>	<u>Part Number</u>	<u>Qty</u>
01	Engine Assembly, 1.8, undressed	Less ancillaries		A117E6071S	1
01a	Engine Assembly, 1.8, VVC, undressed	Less ancillaries	111/111S	A117E6096S	1
01b	Engine Assembly, 135, undressed	Less ancillaries	Sport 135R	ALS2E0012S	1



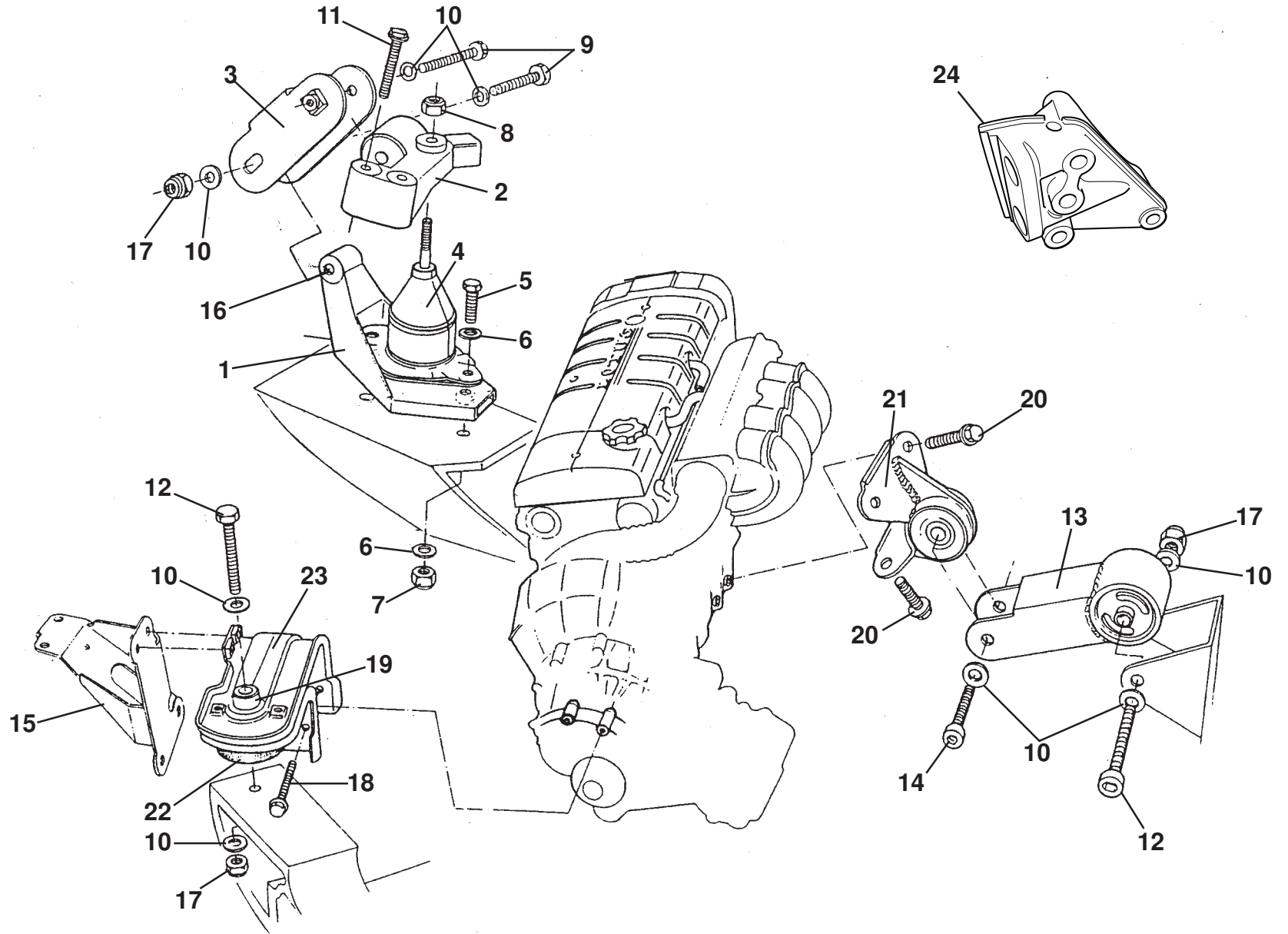
ELISE

40.01

Updated 15th April 2011

Function Code 40.01 Engine Block & Oil Pick up

<u>Dep</u>	<u>Part Description</u>	<u>Remarks</u>	<u>Option</u>	<u>Part Number</u>	<u>Qty</u>
01	Cylinder Block Assembly	Includes bearing ladder		A117E6014S	1
02	Bolt, ladder to Block			A111E6186S	1
03	Screw, ladder to block			A111E6187S	9
04	Dowel, ladder to block			A111E6188S	2
05	Dowel, block to head			A111E6175S	2
06	Dowel, block to gearbox			A111E6189S	2
07	Rail, oil feed			A111E6190S	1
08	Core Plug			A111E6191S	2
09	Stud, rail to ladder			A111E6192S	2
10	Nut, rail fixing			A111E6193S	2
11	'O' Ring. oil pick-up pipe seal	Also see 40.02		A111E6066S	1
12	Oil Pick-up Pipe			A111E6167S	1
13	Bolt, oil pick-up pipe fix.			A111E6168S	1



ELISE

40.01a

Updated 16th July 2012

Service Parts List **ELISE**



Function Code 40.01a Engine Mounts

<u>Dep</u>	<u>Part Description</u>	<u>Remarks</u>	<u>Option</u>	<u>Part Number</u>	<u>Qty</u>
01	Bracket, engine upper mount, chassis RH			D111E0004F	1
02	Bracket, engine upper mount, engine RH			A111E6027F	1
03	Engine Steady Arm, upper			A111E6014F	1
04	Hydromount Assembly			A111E6002F	1
05	Bolt, M10 x 45			A111W2175F	2
06	Washer, M10 x 20.5			A111W4163F	4
07	Nyloc Nut, M10			A100W3112F	2
08	Nut, M12 x 1.75			A111W3155F	1
09	Bolt, M12 x 70			A100D6023F	2
10	Washer, flat, M12			A075W4028Z	9
11	Bolt, M14 x 2 x 80			A111E6008Z	2
12	Bolt, M12 x 90			A075W2073F	2
13	Engine Steady Arm, lower			A111E6029F	1
14	Bolt, M12 x 60			A075W2070Z	1
15	Mounting Leg, clutch slave cylinder			A111E6139S	1
16	Bush, steady arm to mount			A111E6016F	1
17	Nyloc Nut, M12			A075W3012Z	4
18	Bolt, M10, flg. hd.			A111E6137S	2

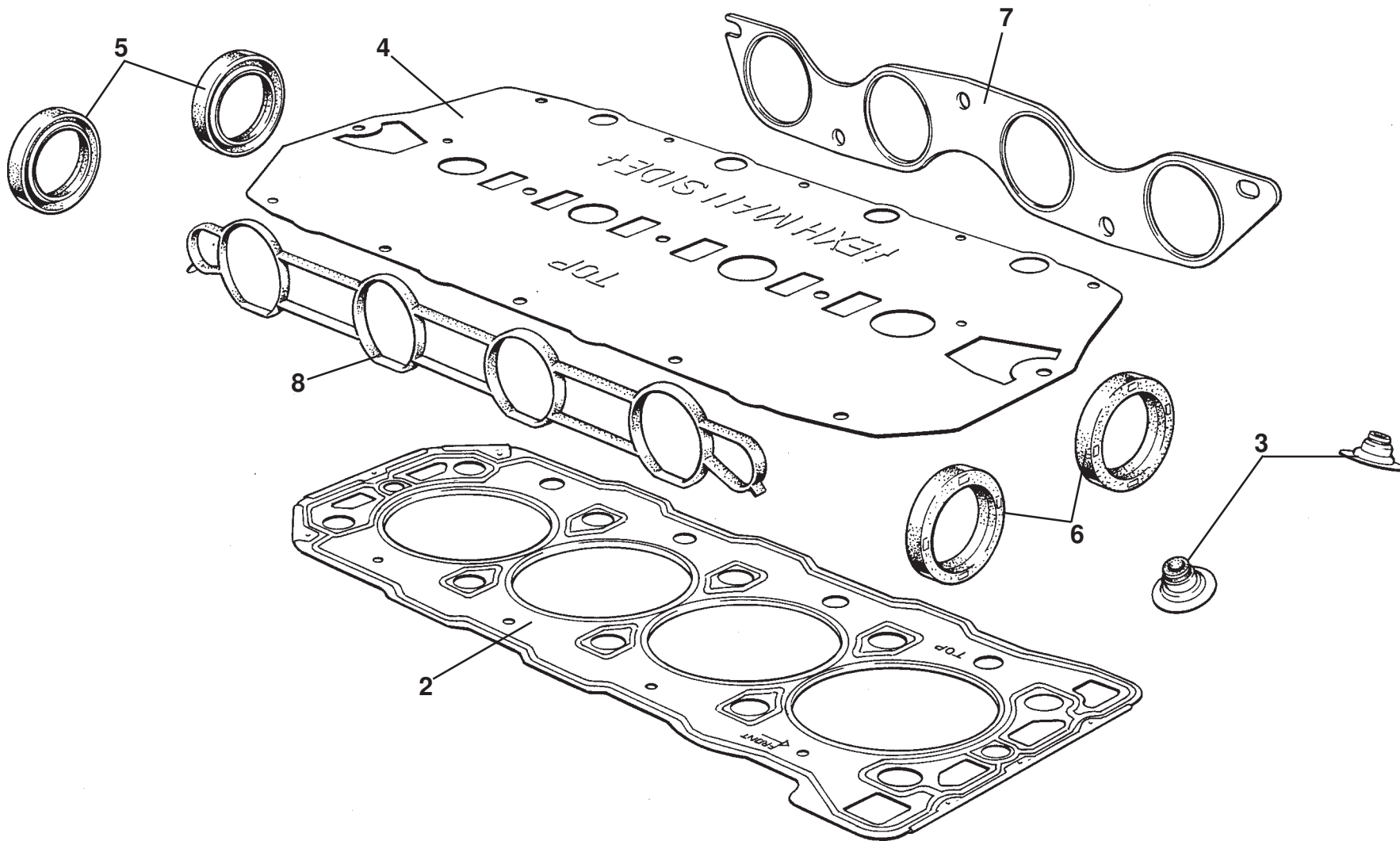
ELISE

Function Code: 40.01a, Page: 1

Updated 16th July 2012

Function Code 40.01a Engine Mounts

<u>Dep</u>	<u>Part Description</u>	<u>Remarks</u>	<u>Option</u>	<u>Part Number</u>	<u>Qty</u>
19	Spacer, engine mounting to chassis			A111F6002F	1
20	Screw, flanged head			A111E6134S	4
21	Bracket, steady arm to engine			A111E6133S	1
22	Engine/Transmission Mounting, LH			A111F6186F	1
23	Bracket, engine/transmission mounting, LH			A111E6136S	1
24	Bracket, head to RH mount			A111E6460S	1
25	Bolt, M10 x 22, flg. hex. hd., mounting leg upper	Not illustrated		A111E6140S	2
26	Bolt, M10 x 20, flg. hex. hd., mounting leg lower	Not illustrated		A111E6138S	2



ELISE

40.02

Updated 15th April 2011

Service Parts List **ELISE**

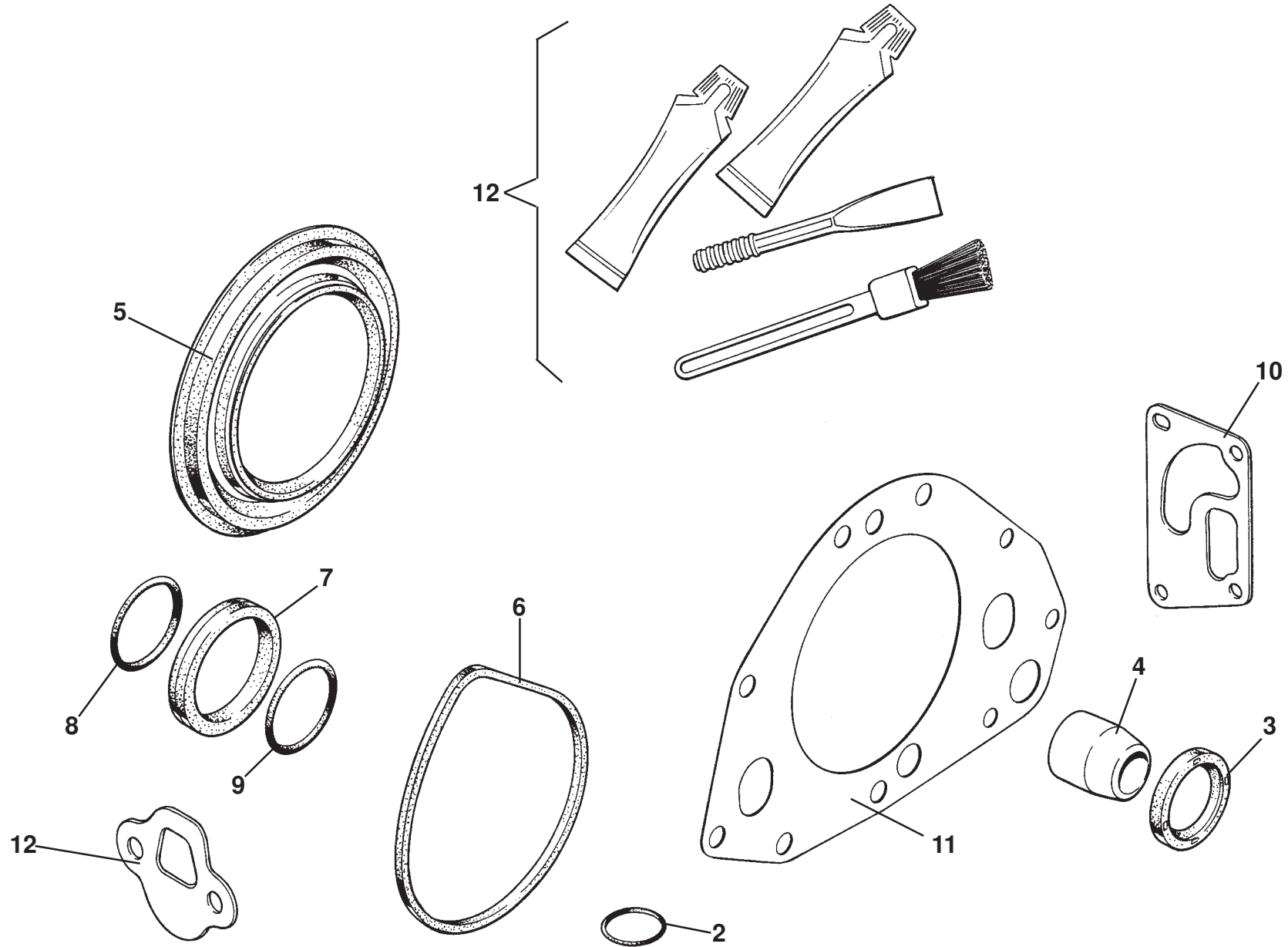


Function Code 40.02 Gaskets & Sealants, Top Overhaul Set

<u>Dep</u>	<u>Part Description</u>	<u>Remarks</u>	<u>Option</u>	<u>Part Number</u>	<u>Qty</u>
01	Head Gasket Kit, upgraded**	Comprises items 2a to 8 + oil rail*	Common**	A117E6114S	1
02	Gasket, cylinder head	Includes dowels, also see 40.05		A111E6103S	1
02a	Gasket, cylinder head, multi-layer with steel shim	Supplied as P/O kit item 1**			1
03	Oil seal, valve stem	Also see 40.05		A111E6171S	16
04	Gasket, cam cover	Also see 40.07		A117E6025S	1
05	Oil Seal, camshaft, rear, brown	Also see 40.07		A111E6271S	2
06	Oil Seal, camshaft, front, black	Also see 40.07		A111E6272S	2
07	Gasket, exhaust manifold	Also see 40.21	A117E6039S R/B	A111E6051S	1
08	Gasket, inlet manifold (green)	Also see 42.07		B111E6086S	1
08a	Gasket, inlet manifold VVC	Also see 42.07a	111/111S	A117E6097S	1
09	Liquid Sealant, cam carrier to head	Not illustrated		A111E6172S	1

* See Service Bulletin 2010/04

** For 111S order VVC inlet manifold gasket, item 8a

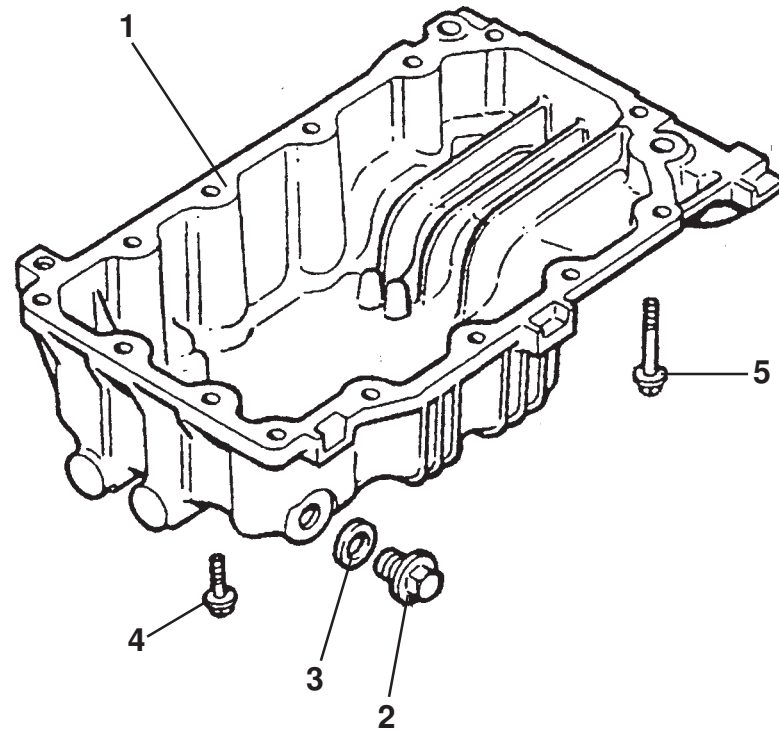


ELISE
40.02a

Updated 15th April 2011

Function Code 40.02a Gaskets & Sealants, Bottom Overhaul Set

<u>Dep</u>	<u>Part Description</u>	<u>Remarks</u>	<u>Option</u>	<u>Part Number</u>	<u>Qty</u>
01	Bottom Overhaul Gasket Set	Comprises items 2 to 12		A111E6050S	1
02	"O" Ring, oil pick-up pipe	Also see 40.01		A111E6066S	1
03	Oil Seal, crankshaft front	Also see 40.11		A111E6054S	1
04	Fitting Tool, oil seal	Supplied with seal		not listed	1
05	Oil seal, crankshaft rear	Also see 40.11		A111E6057S	1
06	Gasket, water pump	Also see 40.13		A111E6080S	1
07	Sealing Ring, thermostat to housing	Also see 40.13		A111E6084S	1
08	'O' Ring, thermostat housing to engine	Also see 40.13		A111E6067S	1
09	'O' Ring, water pipe to thermostat housing	Also see 40.13		A111E6067S	1
10	Gasket, oil filter housing	Also see 40.15		A111E6101S	1
11	Gasket, oil pump	Also see 40.15		A111E6053S	1
12	Gasket, dip stick tube	Also see 40.15		A111E6009F	1
13	Liquid Gasket Kit, for sump		A111E6048S R/B	A111E6172S	1
14	Liner Sealant	Not illustrated		A918E6069V	1

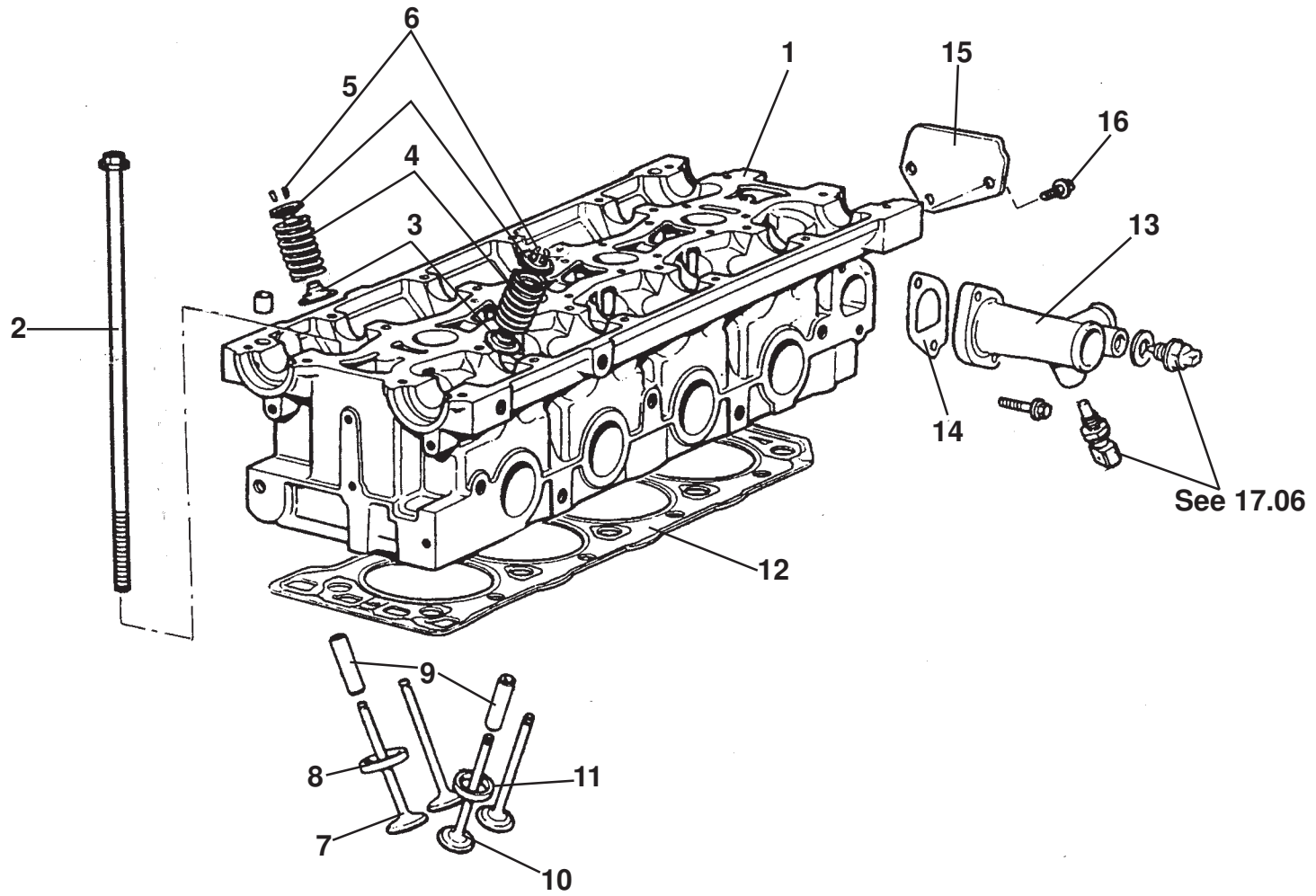


ELISE
40.03

Updated 15th April 2011

Function Code 40.03 Sump Assembly

<u>Dep</u>	<u>Part Description</u>	<u>Remarks</u>	<u>Option</u>	<u>Part Number</u>	<u>Qty</u>
01	Oil Sump			A111E6089S	1
02	Sump Plug			A111E6077S	1
03	Washer, sump plug			A111E6035S	1
04	Fixing Bolt, M8 x 25, flg. hd.		A111E6187S R/B	B111E6187S	12
05	Fixing Bolt, M8 x 60, flg. hd.			A111E6343S	2
06	Sealant, Three Bond 1133E, sump to bearing ladder	Not illustrated	A111E6172S R/B	A117E6102S	1



ELISE

40.05

Updated 15th April 2011

Service Parts List **ELISE**



Function Code 40.05 Cylinder Head , Valves, Springs

<u>Dep</u>	<u>Part Description</u>	<u>Remarks</u>	<u>Option</u>	<u>Part Number</u>	<u>Qty</u>
01	Cylinder Head, bare	Includes cam carrier		A111E6242S	1
01a	Cylinder Head, bare, VVC	Includes cam carrier	111/111S	A117E6087S	1
01b	Cylinder Head, bare, 135	Includes cam carrier	Sport 135/135R	A117E0034S	1
02	Bolt, cylinder head fixing			A111E6111S	10
03	Spring Seat/Stem Seal			A111E6171S	16
04	Valve Spring			A111E6096S	16
04a	Valve Spring, VVC		111/111S	A111E6315S	16
05	Valve Spring Cap			A111E6211S	16
06	Valve Collet			A111E6110S	32
07	Inlet Valve			A111E6094S	8
07a	Inlet Valve, VVC		111/111S	A111E6313S	8
08	Valve Seat Insert, inlet			A111E6454S	8
08a	Valve Seat Insert, inlet, VVC		111/111S	A111E6457S	8
09	Valve Guide, standard, plain,			A111E6306S	16
09a	Valve Guide, oversize, grooved/stepped			A111E6307S	16
10	Exhaust Valve			A111E6095S	8
10a	Exhaust Valve, VVC		111/111S	A111E6314S	8
11	Valve Seat Insert, exhaust			A111E6455S	8

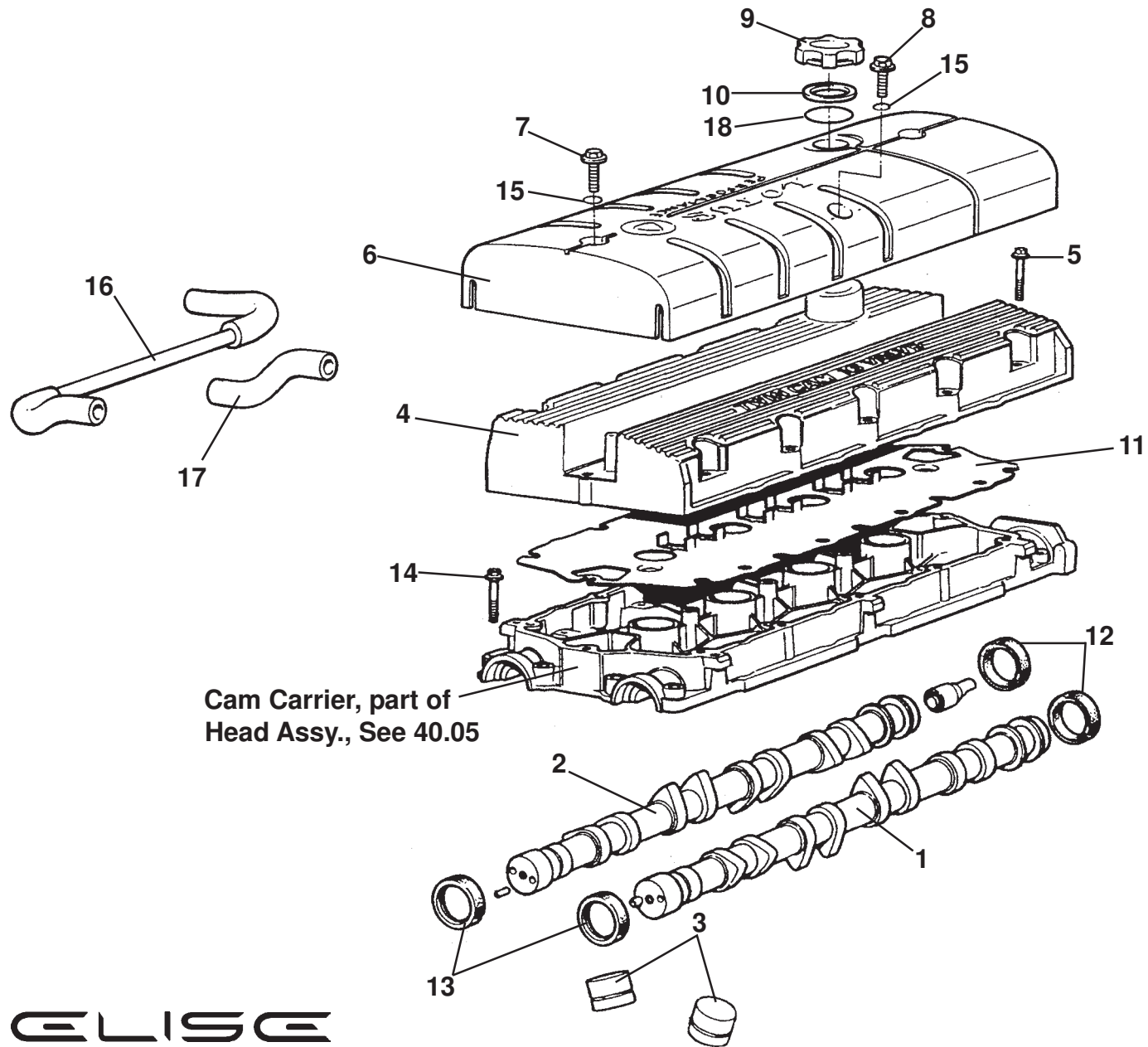
ELISE

Function Code: 40.05, Page: 1

Updated 24th June 2011

Function Code 40.05 Cylinder Head , Valves, Springs

<u>Dep</u>	<u>Part Description</u>	<u>Remarks</u>	<u>Option</u>	<u>Part Number</u>	<u>Qty</u>
11a	Valve Seat Insert, exhaust, VVC		111/111S	A111E6456S	8
12	Gasket, cylinder head	See 40.02			1
13	Outlet Spout			A111E6407S	1
14	Gasket, outlet spout			A111E6087S	1
15	Camshaft Blanking Plate			A117E6020S	1
16	Screw, plate to head			A117E6021S	2

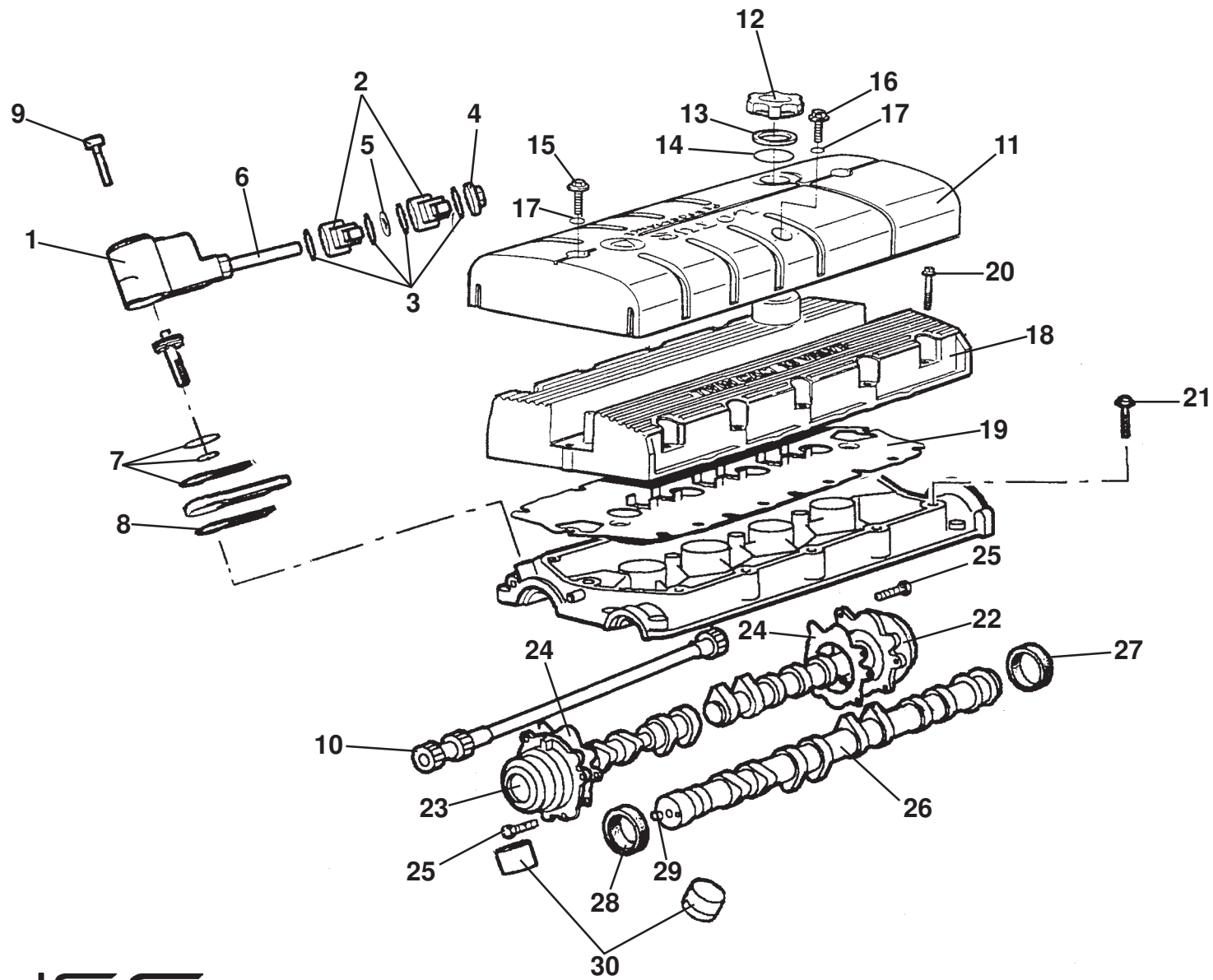


ELISE
40.07

Updated 15th April 2011

Function Code 40.07 Camshafts, Tappets, Cam Cover

<u>Dep</u>	<u>Part Description</u>	<u>Remarks</u>	<u>Option</u>	<u>Part Number</u>	<u>Qty</u>
01	Exhaust Camshaft			A111E6206S	1
02	Inlet Camshaft			A111E6207S	1
03	Tappet			A111E6097S	16
04	Camshaft Cover			A117E6024S	1
05	Bolt, cam cover to head			A111E6160S	15
06	Spark Plug/Coils Cover, black	Foil on underside	B117E0013F R/B	D117E0013F	1
06a	Spark Plug/Coils Cover, red	Foil on underside	'04 MY	C117E0013F	1
07	Screw, cover to head			A117E6033S	2
08	Screw, cover to head			A117E6031S	1
09	Oil Filler Cap			A111E6039S	1
10	Seal, oil filler cap			A111E6056S	1
11	Gasket, camshaft cover	Also see 40.02		A117E6025S	1
12	Oil Seal, camshaft, rear, brown	Also see 40.02		A111E6271S	2
13	Oil Seal, camshaft, front, black	Also see 40.02		A111E6272S	2
14	Bolt, flg. hd., cam carrier to head			A111E6311S	20
15	Clip, retaining			A111W6540F	3
16	Breather Hose, cam cover to throttle body			A117E6053S	1
17	Breather Hose, cam cover to intake plenum			A117E6052S	1
18	'O' Ring, cover to oil filler spigot			A117E6011F	1
19	Bolt, flg. hd., cam carrier to head	Not illustrated		A111E6312S	4



ELISE
40.07a

Updated 15th April 2011

Service Parts List **ELISE**



Function Code 40.07a Camshafts, Tappets, Cam Cover VVC

<u>Dep</u>	<u>Part Description</u>	<u>Remarks</u>	<u>Option</u>	<u>Part Number</u>	<u>Qty</u>
01	Hydraulic Control Unit Assembly	Includes items 2 to 8	111/111S	A111E6294S	1
01a	Hydraulic Control Unit, less solenoid valves	Includes items 7,8	111/111S	A111E6295S	1
02	Solenoid Control Valve		111/111S	A111E6300S	2
03	Kit,control valve seal		111/111S	A111E6303S	1
04	Nut, control valve		111/111S	A111E6301S	1
05	Washer, control valve		111/111S	A111E6302S	1
06	Valve Control Assembly, with solenoid valves	Includes items 2,3,4,5	111/111S	A111E6298S	1
06a	Valve Control, less solenoid valves		111/111S	A111E6299S	1
07	Kit, hydraulic control unit seals		111/111S	A111E6296S	1
08	Gasket, hydraulic unit to cam carrier		111/111S	A111E6297S	1
09	Bolt, control unit fix.		111/111S	A111E6304S	3
10	Control Shaft		111/111S	A111E6290S	1
11	Spark Plug/Coils Cover, black	Foil on underside	111/111S, E117E0035F R/B	A117E0067F	1
11a	Spark Plug/Coils Cover, red	Foil on underside, (Use item 11)	'04 MY 111/111S, D117E0035F R/B	A117E0067F	1
12	Oil Filler Cap			A111E6038S	1
13	Seal, oil filler cap			A111E6056S	1
14	'O' Ring, cover to oil filler spigot			A117E6011F	1
15	Screw, cover to head			A117E6033S	2

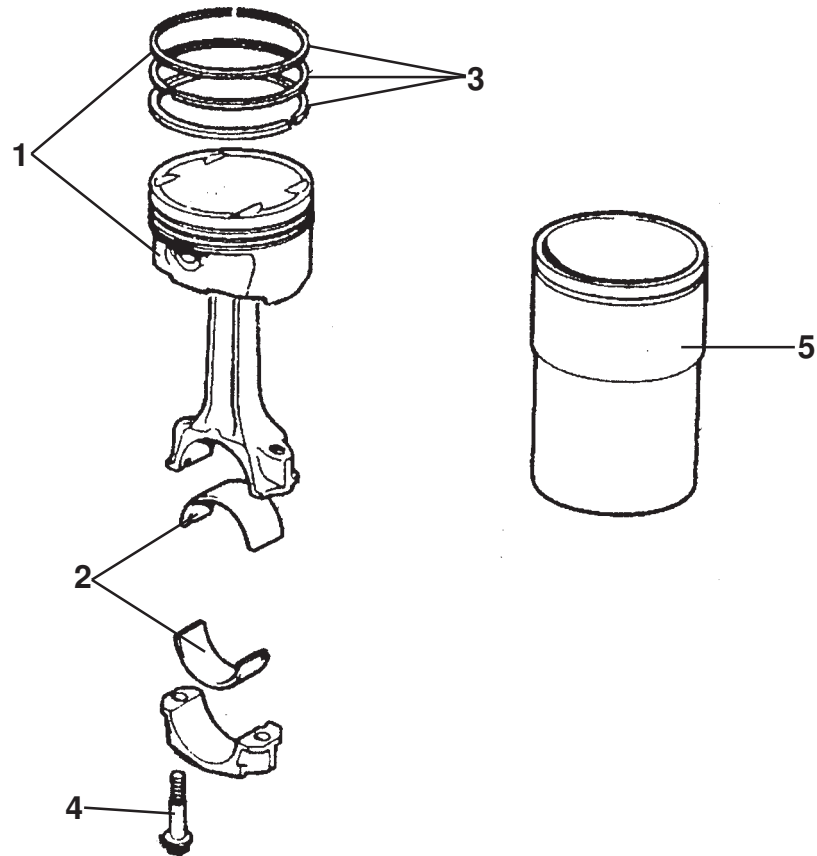
ELISE

Function Code: 40.07a, Page: 1

Updated 15th April 2011

Function Code 40.07a Camshafts, Tappets, Cam Cover VVC

<u>Dep</u>	<u>Part Description</u>	<u>Remarks</u>	<u>Option</u>	<u>Part Number</u>	<u>Qty</u>
16	Screw, cover to head			A117E6031S	1
17	Clip, retaining			A111W6540F	3
18	Camshaft Cover		111/111S	A117E6109S	1
19	Gasket, camshaft cover	Also see 40.02	111/111S	A111E6052S	1
20	Bolt, cam cover to head		111/111S	A111E6160F	15
21	Bolt, flg. hd., cam carrier to head			A111E6311S	20
22	VVC Mechanism/Cam, rear	Includes items 24, 27	111/111S	A111E6288S	1
23	VVC Mechanism/Cam, front	Includes items 24, 28	111/111S	A111E6286S	1
24	Gasket, VVC mechanism to head	Also see 40.02	111/111S	A111E6287S	2
25	Bolt, VVC mechanism to head		111/111S	A111E6289S	8
26	Exhaust Camshaft, VVC		111/111S	A111E6291S	1
27	Oil Seal, camshaft, rear, red	Also see 40.02		A111E6271S	2
28	Oil Seal, camshaft, front, black	Also see 40.02		A111E6272S	2
29	Roll Pin, cam drive locn.			A111E6292S	2
30	Tappet, VVC		111/111S	A111E6316S	16
31	Bolt, flg. hd., cam carrier to head	Not illustrated		A111E6312S	4

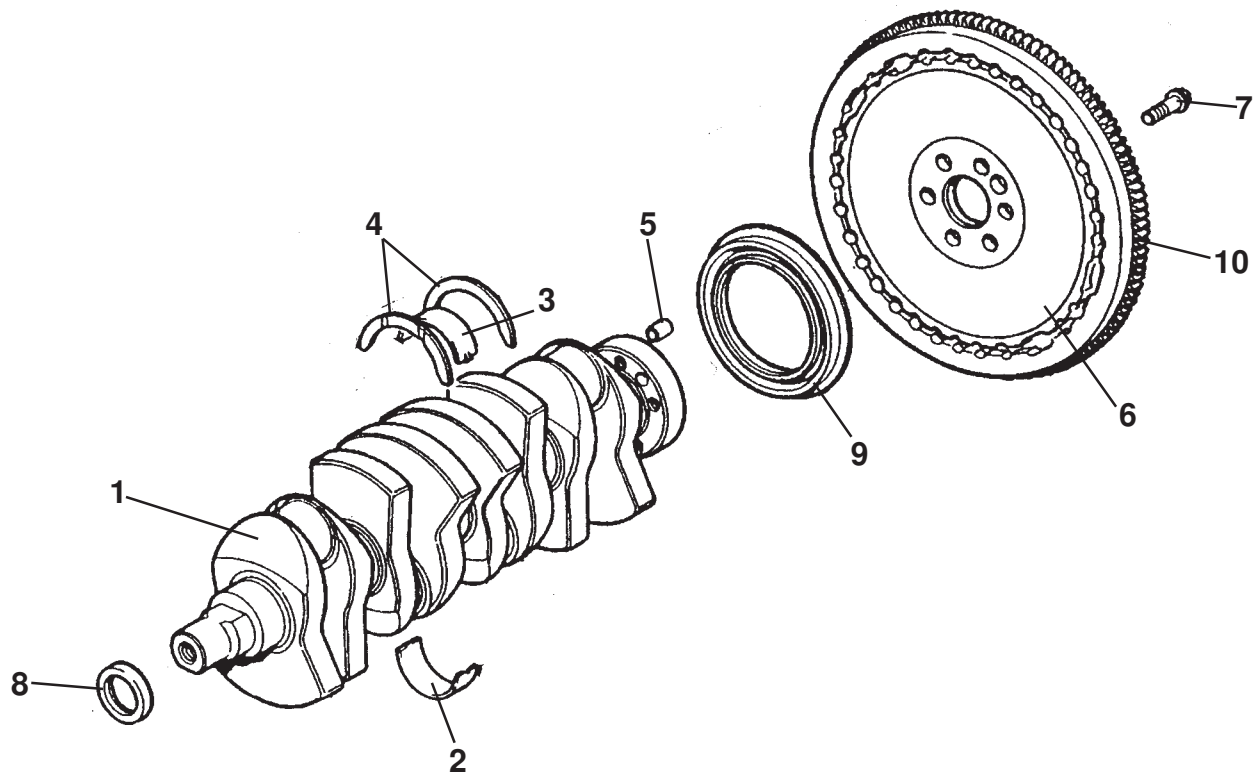


ELISE
40.09

Updated 15th April 2011

Function Code 40.09 Pistons, Con-rods, Liners

<u>Dep</u>	<u>Part Description</u>	<u>Remarks</u>	<u>Option</u>	<u>Part Number</u>	<u>Qty</u>
01	Piston & Con-rod Assembly, grade A	Stamped on piston crown		A111E6114S	4
01a	Piston & Con-rod Assembly, grade B	Stamped on piston crown		A117E6089S	4
01b	Piston & Con-rod Assembly, VVC, grade A		111/111S	A117E6088S	4
01c	Piston & Con-rod Assembly, VVC, grade B		111/111S	A117E6089S	4
02	Con-rod Bearings, blue			A111E6203S	8
02a	Con-rod Bearings, red			A111E6204S	8
02b	Con-rod Bearings, yellow			A111E6205S	8
03	Piston Ring Set	Piston set		A111E6166S	4
04	Cap Screw, big end fix.			A111E6342S	8
05	Liner, grade A			A111E6112S	4
05a	Liner, grade B			A111E6113S	4



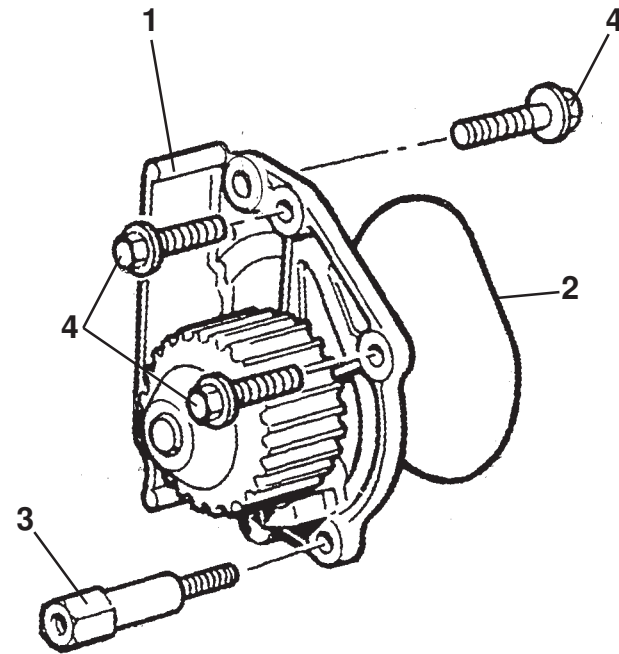
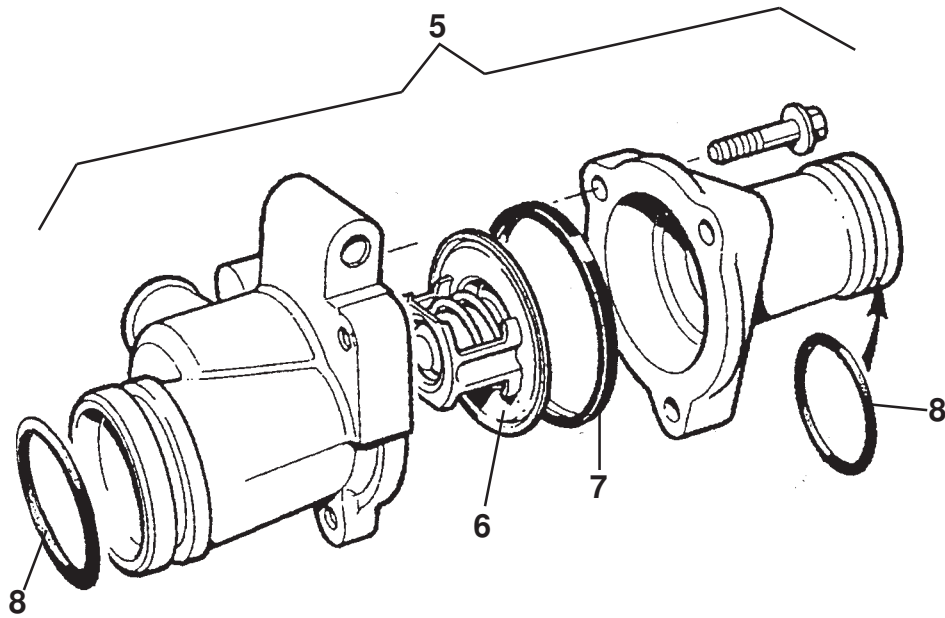
ELISE

40.11

Updated 15th April 2011

Function Code 40.11 Crankshaft, Bearings, Flywheel

<u>Dep</u>	<u>Part Description</u>	<u>Remarks</u>	<u>Option</u>	<u>Part Number</u>	<u>Qty</u>
01	Crankshaft			A111E6194S	1
02	Main Bearing, plain, blue			A111E6196S	7
02a	Main Bearing, plain, red			A111E6197S	7
02b	Main Bearing, plain green			A111E6198S	7
03	Main Bearing, grooved, blue			A111E6199S	3
03a	Main Bearing, grooved, red			A111E6200S	3
03b	Main Bearing, grooved, green			A111E6201S	3
04	Thrust Washer			A111E6202S	2
05	Ring Dowel, crank to flywheel			A111E6195S	1
06	Flywheel		Common	A111E6131S	1
07	Bolt, flywheel fix.			A111E6129S	6
08	Oil Seal, crankshaft front	Also see 40.02		A111E6054S	1
09	Oil Seal, crankshaft rear	Also see 40.02		A111E6057S	1
10	Ring Gear, starter			A111E6130S	1



ELISE
40.13

Updated 15th April 2011

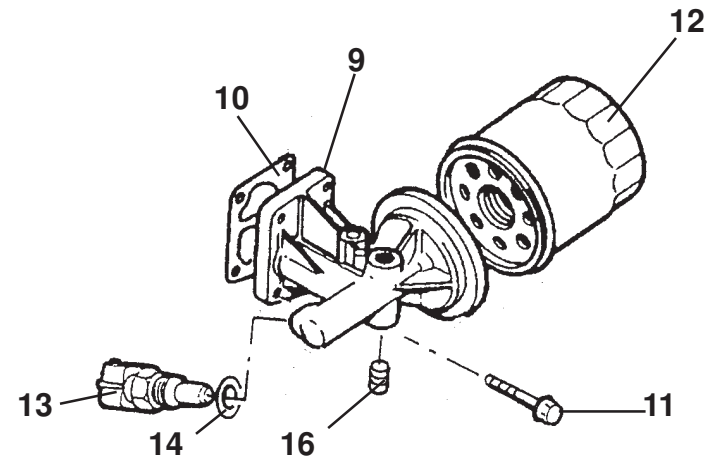
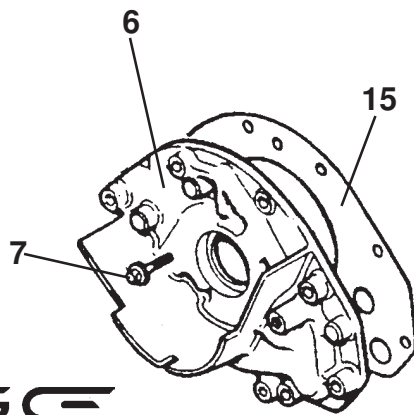
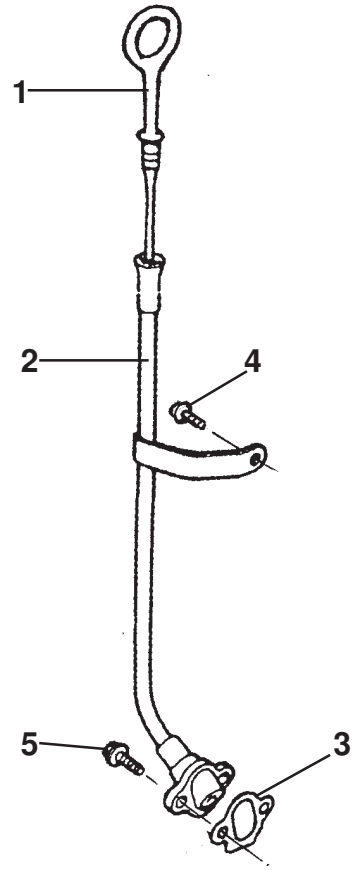
Service Parts List **ELISE**



Function Code 40.13 Water Pump Assembly, Thermostat

<u>Dep</u>	<u>Part Description</u>	<u>Remarks</u>	<u>Option</u>	<u>Part Number</u>	<u>Qty</u>
01	Water Pump Assembly	Includes 'O' ring		A111E6088S	1
02	'O' Ring, water pump	Also see 40.02a		A111E6080S	1
03	Pillar Bolt			A111E6361S	1
04	Bolt, water pump fix.			A111E6341S	5
05	Thermostat Housing Assembly	Includes items 6, 7, 8*		A111E6182S	1
06	Thermostat			A111E6085S	1
07	Sealing Ring, thermostat	Also see 40.02		A111E6084S	1
08	'O' Ring, thermostat housing	Also see 40.02		A111E6067S	2

*See Service Bulletin 2010/04

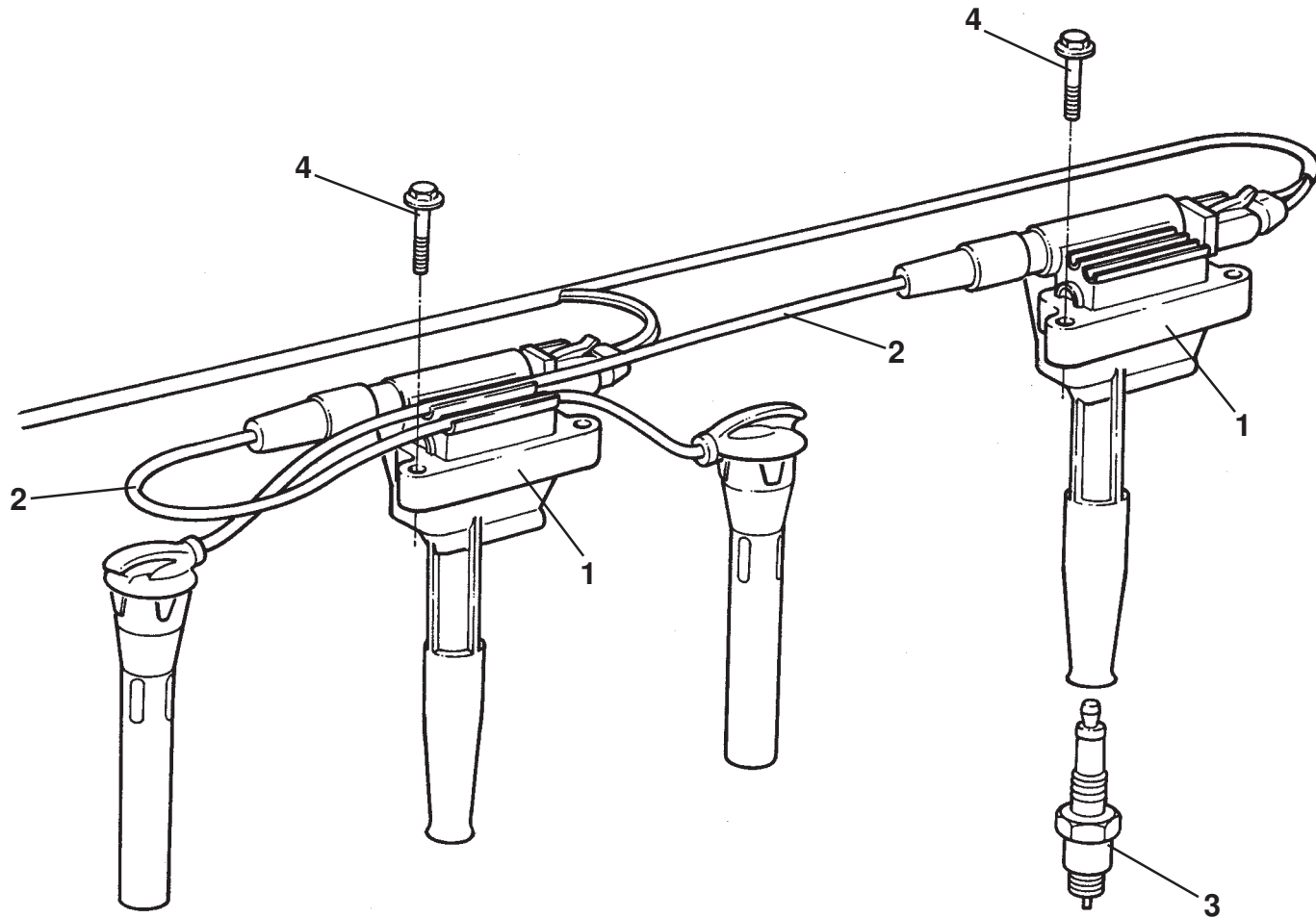


ELISE
40.15

Updated 15th April 2011

Function Code 40.15 Lubrication System

<u>Dep</u>	<u>Part Description</u>	<u>Remarks</u>	<u>Option</u>	<u>Part Number</u>	<u>Qty</u>
01	Dipstick			A111E6004F	1
02	Dipstick Tube			B111E0001J	1
03	Gasket, dipstick tube	Also see 40.02		A111E6009F	1
04	Bolt, dipstick tube bracket to block			A111E6006F	1
05	Bolt, dipstick tube flange to block			A111E6007F	2
06	Oil Pump Assembly			A111E6122S	1
06a	Oil Pump Repair Kit	Not illustrated		A111E6346S	1
07	Bolt, flg. hd., oil pump to block			A111E6289S	1
08	Bolt, flg. hd., oil pump to block			A111E6360S	8
09	Oil Filter Housing		Standard car	A111E6177S	1
09a	Oil Filter Housing, oil cooler unions	Block mounted heat exchanger	111/111S	A117E6099S	1
09b	Oil Filter Housing, oil cooler unions, Sport 190	Front mounted oil cooler	Lotus Sport 190	A111E6146S	1
10	Gasket, oil filter housing	Also see 40.02		A111E6101S	1
11	Bolt, oil filter housing to block			A111E6168S	4
12	Engine Oil Filter			A111E6038S	1
13	Oil Pressure Switch, M12 x 1.5mm			A111E6179S	1
14	Washer, oil pressure switch			A111E6180S	1
15	Gasket, oil pump	Also see 40.02		A111E6053S	1
16	Blanking Plug, oil filter housing			A111N6000F	1



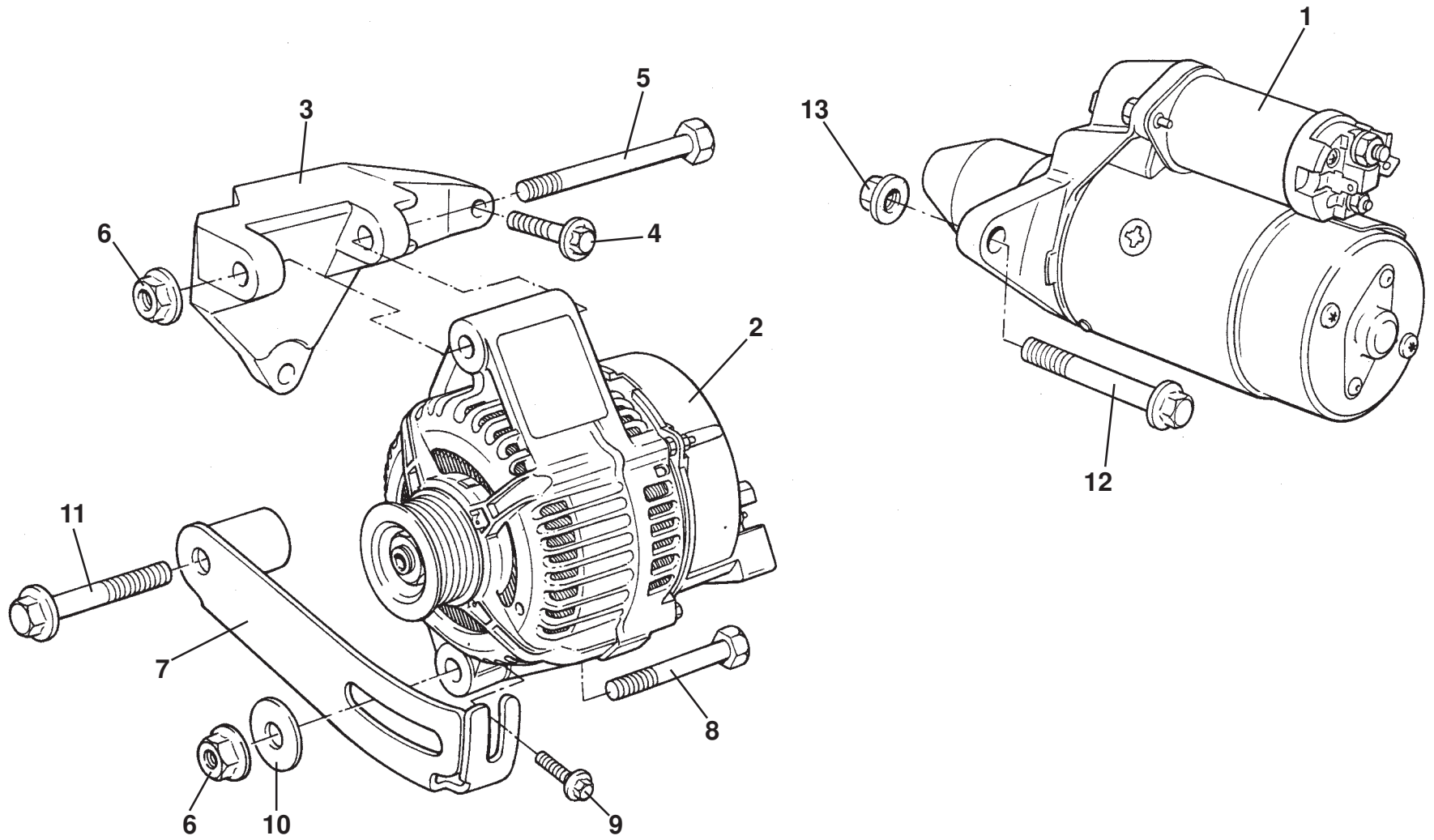
ELISE

40.17

Updated 15th April 2011

Function Code 40.17 Ignition System, Spark plugs & Plug Top Coils

<u>Dep</u>	<u>Part Description</u>	<u>Remarks</u>	<u>Option</u>	<u>Part Number</u>	<u>Qty</u>
01	Plug Top Ignition Coil			A117E6030S	2
01a	Plug Top Ignition Coil, VVC		111/111S	A117E6091S	2
02	Plug Lead Set	Two leads		A117E6032S	1
02a	Plug Lead Set, VVC (red)	Two leads	111/111S	A117E6092S	1
03	Spark Plug			A117E6023S	4
04	Screw, coils to cam cover			A117E6031S	4

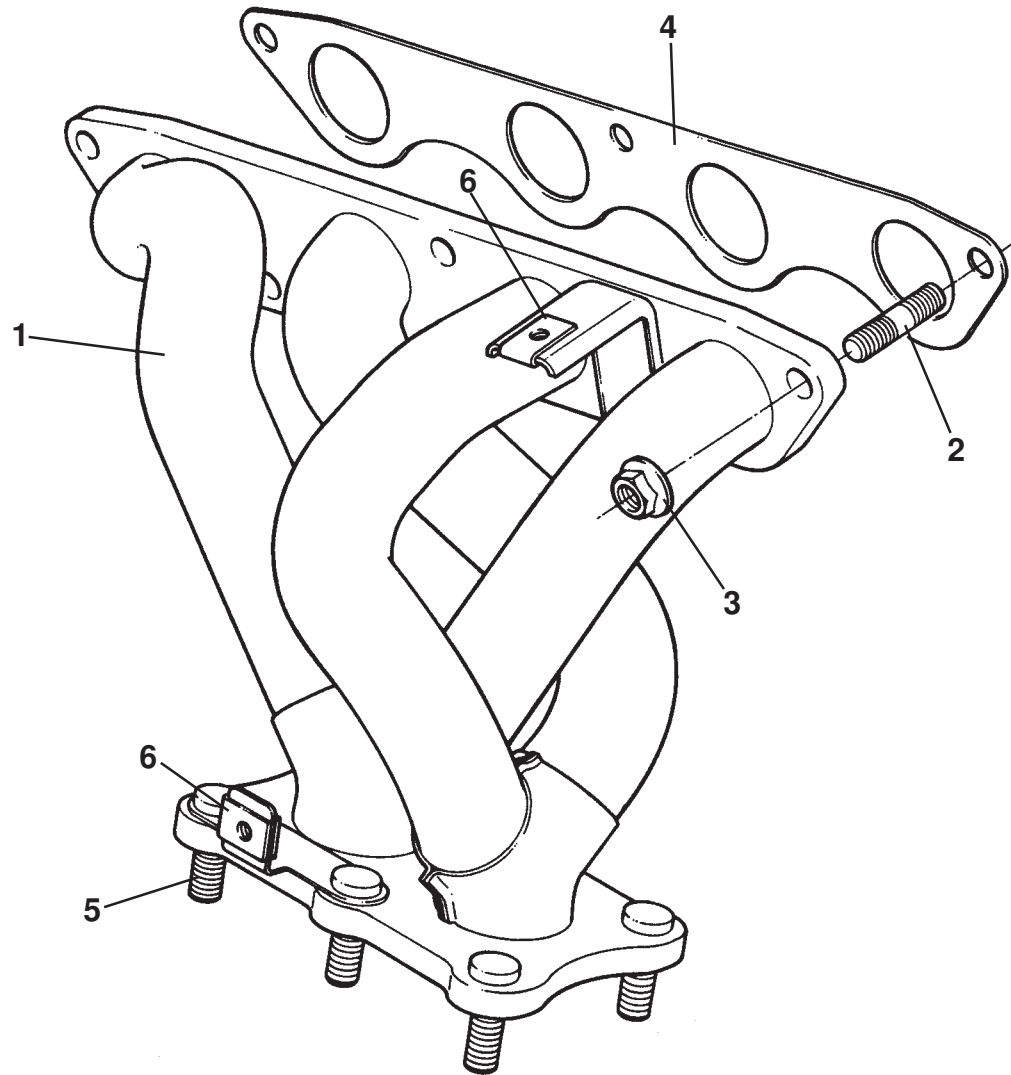


ELISE
40.19

Updated 15th April 2011

Function Code 40.19 Alternator and Starter Motor

<u>Dep</u>	<u>Part Description</u>	<u>Remarks</u>	<u>Option</u>	<u>Part Number</u>	<u>Qty</u>
01	Starter Motor, 1.4KW			A117E6054S	1
02	Alternator			A117E6008F	1
03	Alternator Bracket		Heater cars	A111E6236S	1
03a	Alternator Bracket, upper	Also uses compressor bracket, see 40.23	AC cars	A111E0068F	1
04	Bolt, flg. hd., bracket to block			A111E6241F	3
05	Bolt, hex. hd., M10 x 100, alternator to top bracket			A111E6105F	1
05a	Bolt, hex. flg. hd., M10 x 90 alternator to top bracket, AC		AC cars	A111E6104F	1
06	Nut, flg. hd., alternator to bracket			A111E6183S	2
07	Alternator Adjustment Link	Includes spacer & bolt, item 11		A111E6238S	1
08	Bolt, hex. hd., alternator to link			A111E6239S	1
08a	Bolt, hex. hd., alternator to link, AC		AC cars	A111E6108F	
09	Setscrew, flg. hd., alternator adjustment			A111E6241S	1
10	Washer, flat			A111E6240S	1
11	Bolt, flg. hd., M10 x 50, link to block			A111E6237S	1
12	Bolt. M12 x 90, flg. hd. starter motor fix.			A111F6176S	2
13	Flange Nut, M12, starter motor fix.		A111F6178S R/B	A111W3155F	2



ELISE

40.21

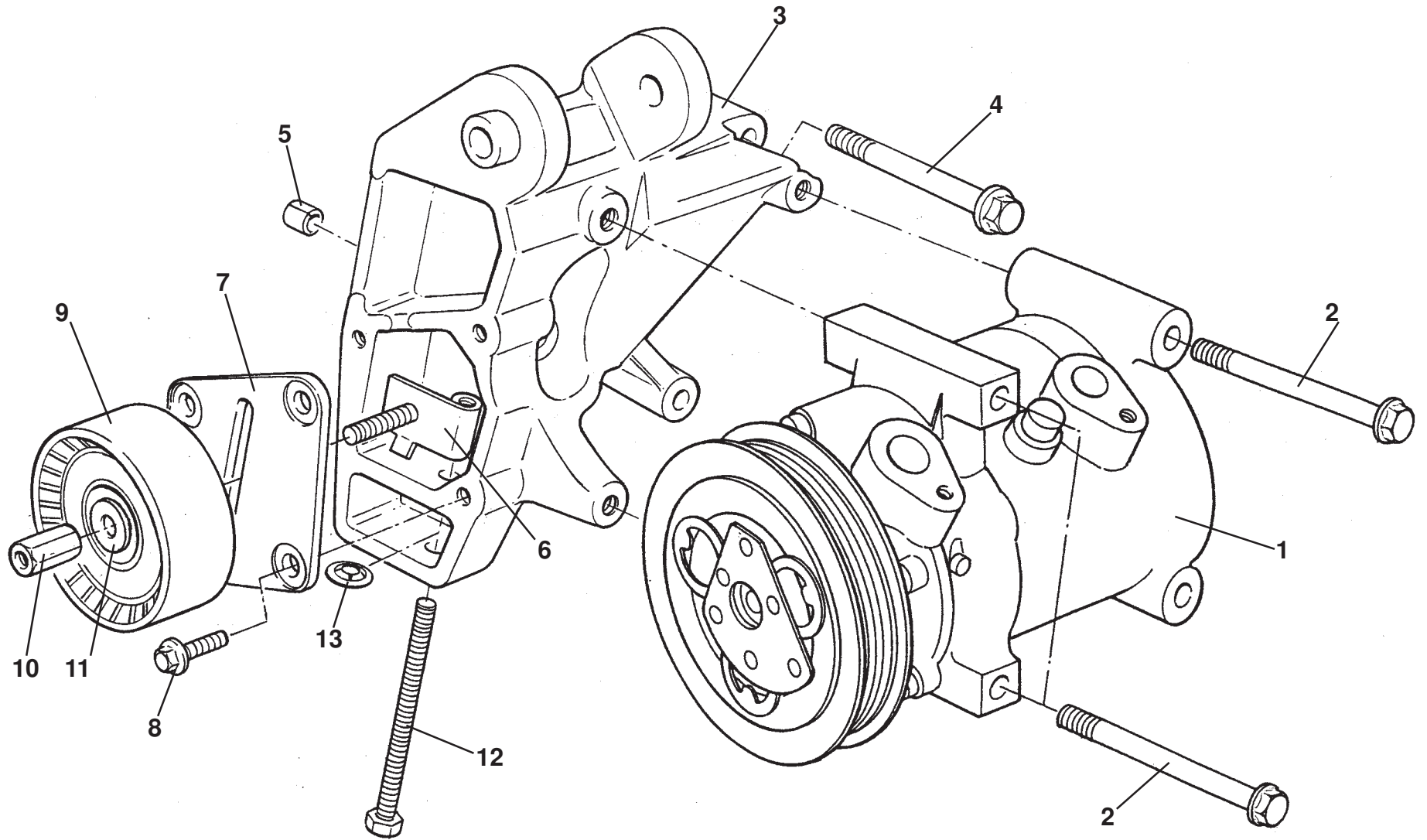
Updated 15th April 2011

Service Parts List **ELISE**



Function Code 40.21 Exhaust Manifold

<u>Dep</u>	<u>Part Description</u>	<u>Remarks</u>	<u>Option</u>	<u>Part Number</u>	<u>Qty</u>
01	Manifold, exhaust			A117E6038S	1
02	Stud, M10 x 25, manifold to cylinder head			A111E6148S	5
02a	Stud, M10 x 20, manifold to cylinder head			A111E6462S	5
03	Nut, M10, flg., manifold to cylinder head			A111E6149S	5
04	Gasket, manifold to head	Also see section 40.02	A117E6039S R/B	A111E6051S	1
05	Stud, manifold to downpipe	Not available		A111E6065S	4
06	Spirenut, heatshield to manifold			A117E6106S	2

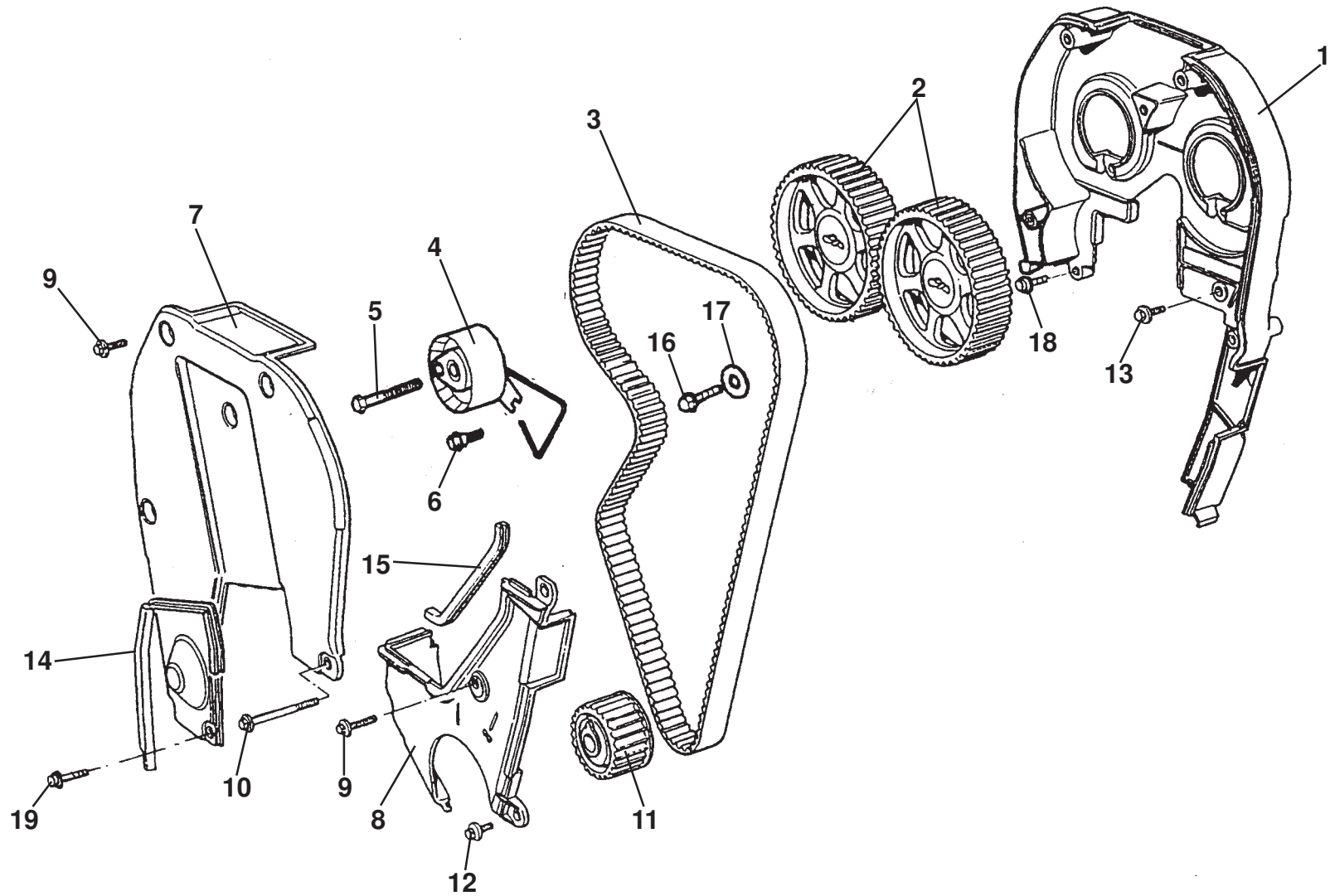


ELISE
40.23

Updated 15th April 2011

Function Code 40.23 AC Compressor

<u>Dep</u>	<u>Part Description</u>	<u>Remarks</u>	<u>Option</u>	<u>Part Number</u>	<u>Qty</u>
01	Compressor, AC			A111E6106F	1
02	Bolt, compressor to bracket			A111E6108F	3
03	Bracket, compressor to block	Also supports alternator		A111E0069F	1
04	Bolt, M10 x 80, flg. hd., bracket to block			A111E6417F	5
05	Dowel, bracket to block			A111E6416F	3
06	Spindle, pulley adjusting			A111E6413F	1
07	Plate, spindle retention			A111E6412F	1
08	Screw, M8 x 16, flg. hd., plate to bracket			A111E6411F	3
09	Pulley, auxiliary belt tensioning			A111E6410F	1
10	Clamp Nut, pulley to spindle			A111E6408F	1
11	Washer, flat, M8, pulley to spindle			A111E6409F	1
12	Screw, hex. hd., pulley adjusting			A111E6414F	1
13	Retainer, adjusting screw			A111E6415F	1



ELISE

41.01

Updated 15th April 2011

Service Parts List **ELISE**



Function Code 41.01 Camshaft Belts, Guards & Pulleys

<u>Dep</u>	<u>Part Description</u>	<u>Remarks</u>	<u>Option</u>	<u>Part Number</u>	<u>Qty</u>
01	Cover, rear, timing belt			A117E6022S	1
02	Camshaft Pulley, inlet and exhaust			A111E6156S	2
03	Timing Belt			A111E6246S	1
04	Tensioner Assembly, dynamic			A111E6243S	1
05	Clamp Screw, M8, belt tensioner			A111E6244S	1
06	Shoulder Bolt, tensioner spring abutment			A111E6245S	1
07	Cover, upper front, timing belt	Includes seals		A117E6036S	1
08	Cover, lower front, timing belt	Includes seals		A117E6035S	1
09	Screw, M6 x 35, flg. hd., upper cover fix.			A111E6386S	1
10	Bolt, M6, upper cover fix.			A111E6348S	1
11	Crankshaft Pulley, timing belt			A111E6274S	1
12	Screw, M6 x 16, lower cover fix.			A111E6351S	1
13	Screw, M6 x 16, rear cover fix.			A111E6339S	3
14	Seal, upper cover			A111E6071S	1
15	Seal, lower cover			A111E6070S	1
16	Screw, cam pulley fix.			A111E6386S	2
17	Washer, flat			A111E6279S	2
18	Screw, M6 x 25, hex. flg. hd., rear cover fix.			A111F6039S	1

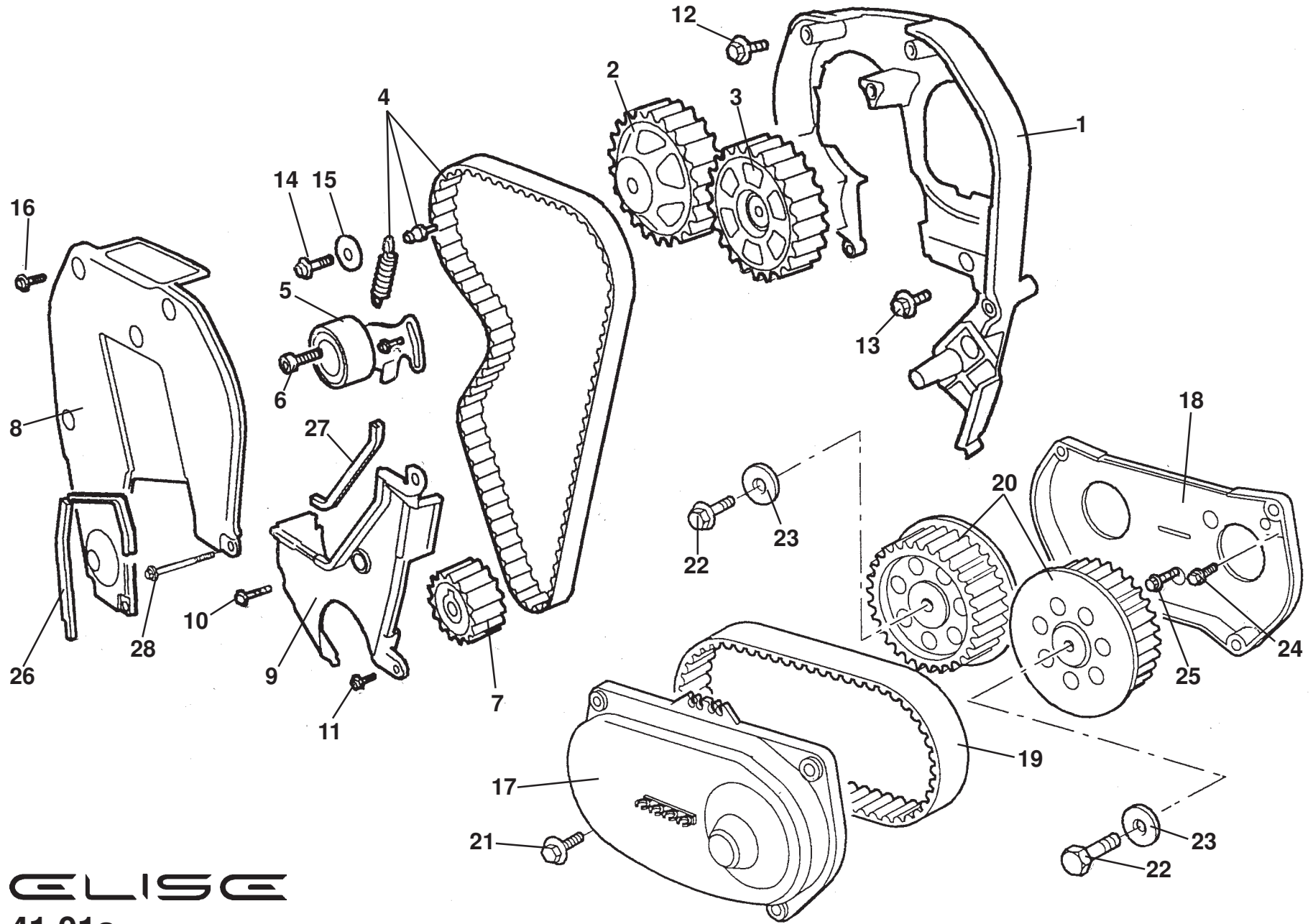
ELISE

Function Code: 41.01, Page: 1

Updated 2nd February 2015

Function Code 41.01 Camshaft Belts, Guards & Pulleys

<u>Dep</u>	<u>Part Description</u>	<u>Remarks</u>	<u>Option</u>	<u>Part Number</u>	<u>Qty</u>
19	Bolt, M6, lower cover fix.			A111E6350S	1



ELISE

41.01a

Updated 15th April 2011

Function Code 41.01a Camshaft Belts, Guards & Pulleys, VVC

<u>Dep</u>	<u>Part Description</u>	<u>Remarks</u>	<u>Option</u>	<u>Part Number</u>	<u>Qty</u>
01	Cover, rear, timing belt		111/111S	A111E6357S	1
02	Camshaft Pulley, inlet		111/111S	A111E6354S	1
03	Camshaft Pulley, exhaust		111/111S	A111E6353S	1
04	Timing Belt Kit	Includes spring & pedestal bolt	111/111S	A111E6355S	1
05	Tensioner Assembly		111/111S	A111E6117S	1
06	Adjusting Bolt, M10, belt tensioner		111/111S	A111E6116S	1
07	Crankshaft Pulley, timing belt		111/111S	A111E6274S	1
08	Cover, upper front, timing belt	Includes seals	111/111S	A111E6358S	1
09	Cover, lower, front, timing belt		111/111S	A111E6120S	1
10	Screw. M6 x 16, lower cover fix.		111/111S	A111E6068S	1
11	Screw, M6 x 16, lower cover fix.		111/111S	A111E6351S	1
12	Screw, M6 x 25, rear cover fix.		111/111S	A111F6039S	1
13	Screw, M6 x 16, rear cover fix.		111/111S	A111E6339S	1
14	Screw, cam pulley fix.		111/111S	A111E6280S	2
15	Washer, flat		111/111S	A111E6279S	2
16	Screw, M6 x 35, fig. hd., upper cover fix.		111/111S	A111E6386S	1
17	Cover, rear cam belt, outer		111/111S	A111E6384S	1
18	Cover, rear cam belt, inner		111/111S	A111E6385S	1
19	Cam Drive Belt, rear		111/111S	A111E6336S	1
20	Camshaft Pulley, rear		111/111S	A111E6335S	2
21	Screw, M6 x 20, flg. hd.		111/111S	A111E6341S	4

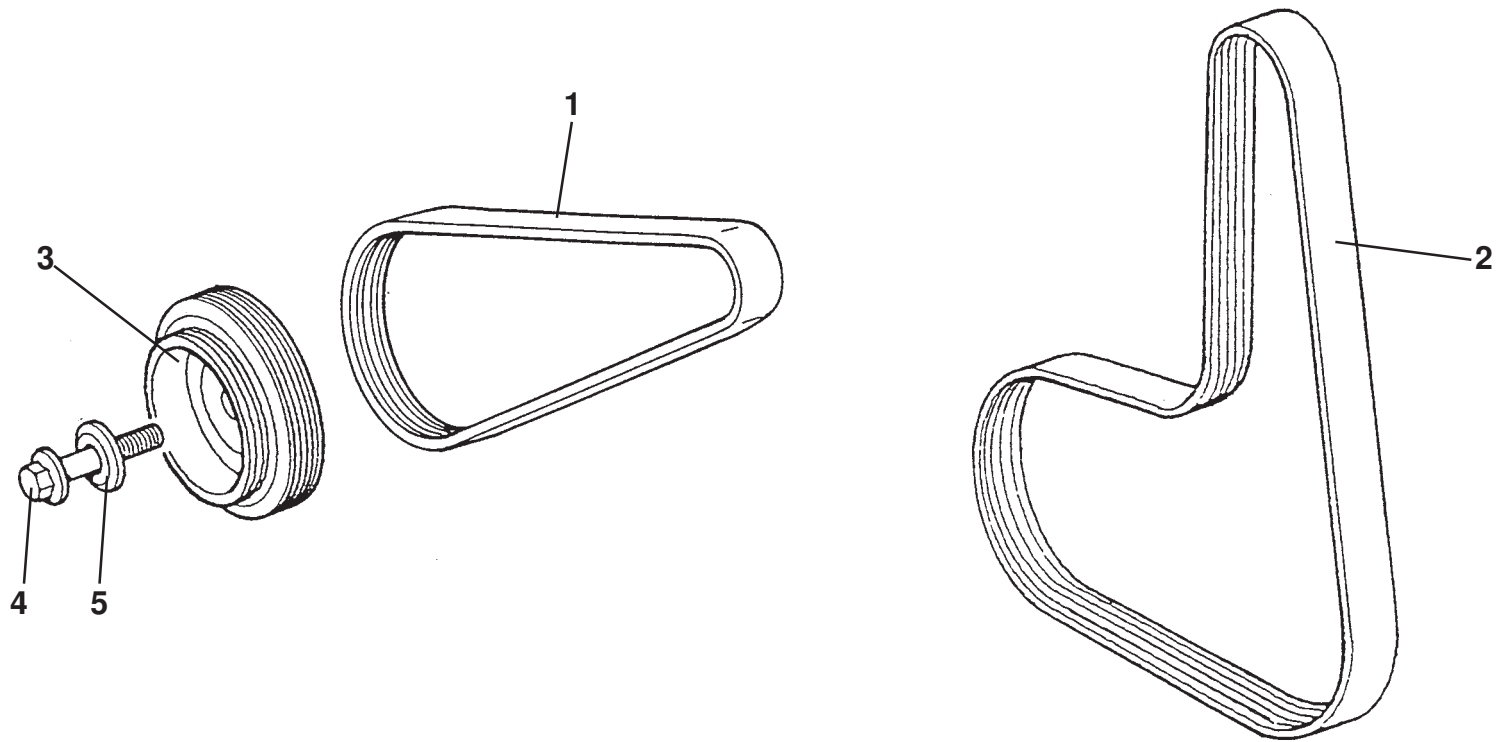
ELISE

Function Code: 41.01a, Page: 1

Updated 15th April 2011

Function Code 41.01a Camshaft Belts, Guards & Pulleys, VVC

<u>Dep</u>	<u>Part Description</u>	<u>Remarks</u>	<u>Option</u>	<u>Part Number</u>	<u>Qty</u>
22	Screw, flg. hd., pulley fix.		111/111S	A111E6280S	2
23	Washer, flat		111/111S	A111E6279S	2
24	Screw, M5, flg. hd., inner cover fix		111/111S	A111E6338S	2
25	Screw, M6 x 14, flg. hd. inner cover fix.		111/111S	A111E6339S	1
26	Seal, top cover		111/111S	A111E6071S	1
27	Seal, bottom cover		111/111S	A111E6070S	1
28	Bolt, M6 x 35, flg. hd., covers fix.		111/111S	A117E6033S	1



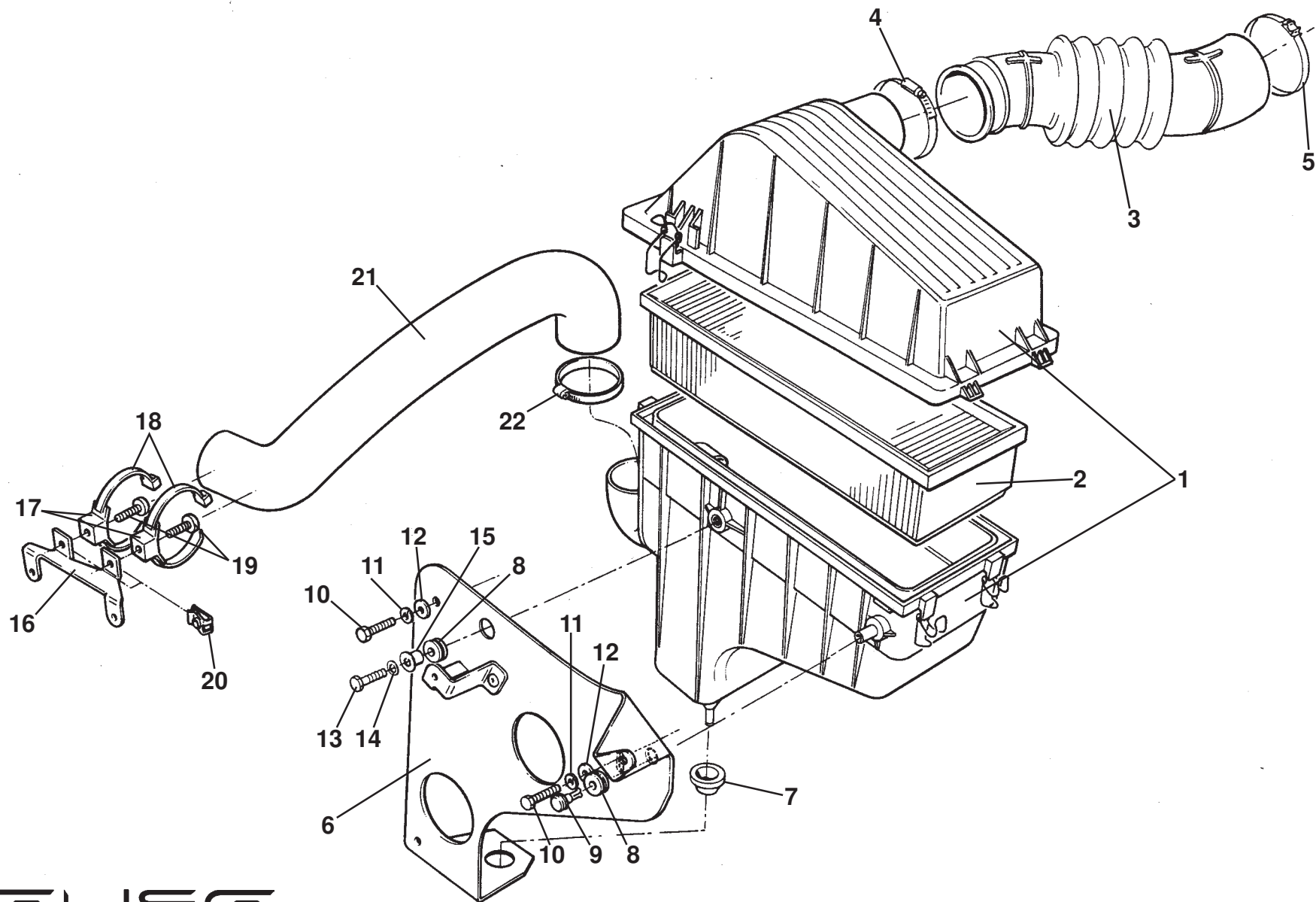
ELISE

41.03

Updated 15th April 2011

Function Code 41.03 Auxiliary Drive Belts & Pulleys

<u>Dep</u>	<u>Part Description</u>	<u>Remarks</u>	<u>Option</u>	<u>Part Number</u>	<u>Qty</u>
01	Drive Belt, alternator			A111E6041S	1
02	Drive Belt, AC compressor and alternator		AC cars	A111E6107F	1
03	Auxiliary Belt Pulley			A111E6273S	1
04	Bolt, pulley fix.			A111E6159S	1
05	Washer, special, bolt to pulley			A111E6275S	1



ELISE
42.01

Updated 15th April 2011

Function Code 42.01 Airboxes, Trunking & Air Filters

<u>Dep</u>	<u>Part Description</u>	<u>Remarks</u>	<u>Option</u>	<u>Part Number</u>	<u>Qty</u>
01	Air Cleaner Housing Assembly			A111E0015K	1
02	Air Cleaner Element			A111E6022S	1
03	Flexible Hose, air cleaner to throttle body			A111E6010F	1
04	Hose Clip, hose to air cleaner			A075L6044F	1
05	Hose Clip, hose to throttle body			A111E6024F	1
06	Mounting Bracket Assy., air cleaner			A117E0007F	1
07	Grommet, air cleaner lower mounting			A111E6018F	1
08	Grommet, air cleaner upper mounting			A111E6017F	2
09	Pin, air cleaner retention			A111E6012F	2
10	Screw, M6 x 20, hex. hd., bracket to roll-over bar stay			A075W1028Z	2
11	Washer, spring, M6,			A907E6258F	2
12	Washer, flat, M6 x 15			A075W4015Z	2
13	Setscrew, M6 x 22, hex. hd., filter to bracket			A082W1111F	1
14	Washer, spring, M6			A079W4035Z	1
15	Insert, grommet fix.			A089U1518F	1
16	Bracket Assy., intake hose fix.	Includes items: 17,19,20		A117E0012F	1
17	Cradle Clip, cable tie fix.			A082W6293F	2
18	Cable Tie			A082W6286F	2
19	Screw, M5 x 12, button hd.			A111W7138F	2
20	Spirenut, M5			B100W6372F	2
21	Intake Hose			A117E0015F	1

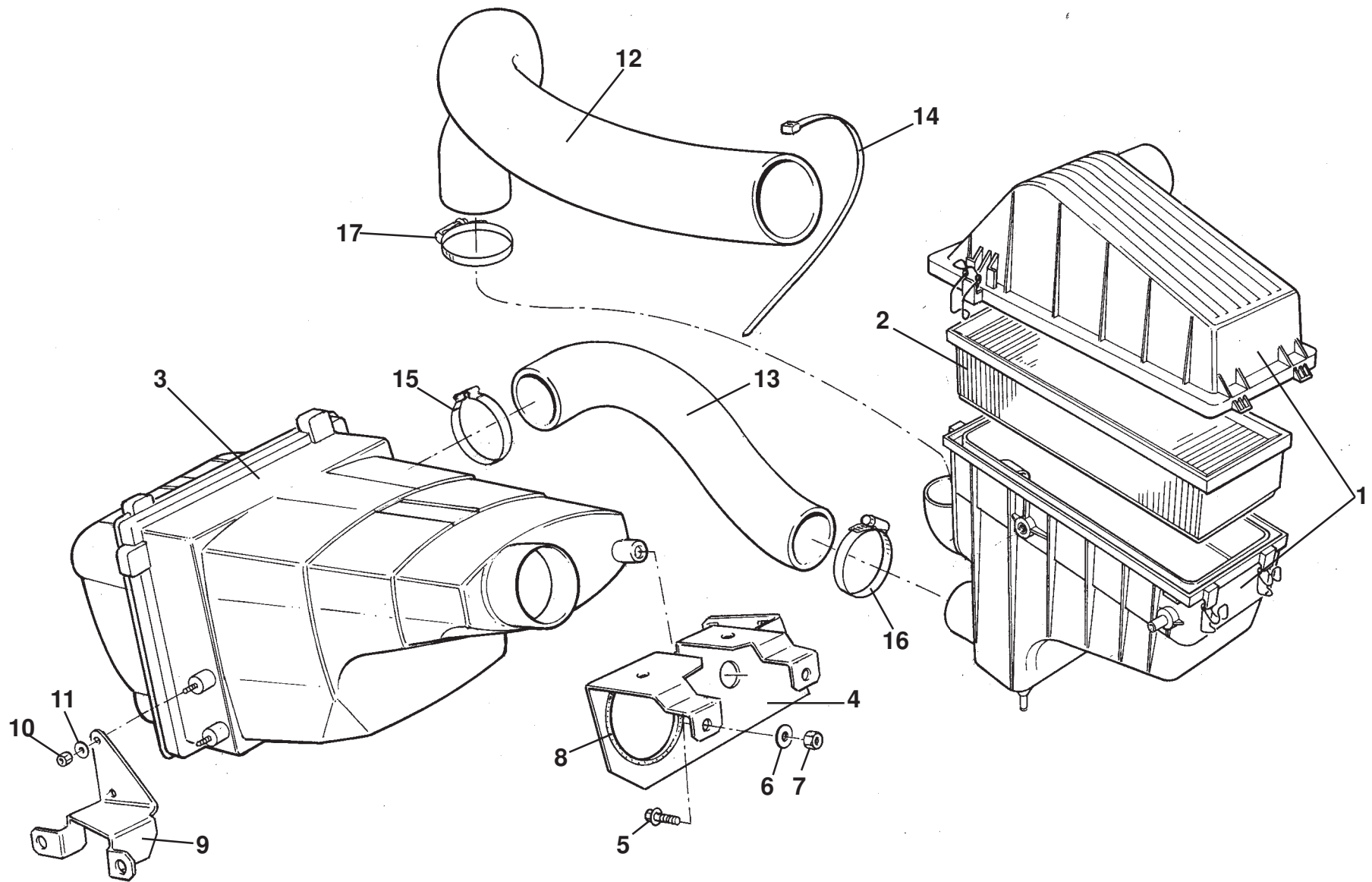
ELISE

Function Code: 42.01, Page: 1

Updated 15th April 2011

Function Code 42.01 Airboxes, Trunking & Air Filters

<u>Dep</u>	<u>Part Description</u>	<u>Remarks</u>	<u>Option</u>	<u>Part Number</u>	<u>Qty</u>
22	Hose Clip			A910E7004F	1



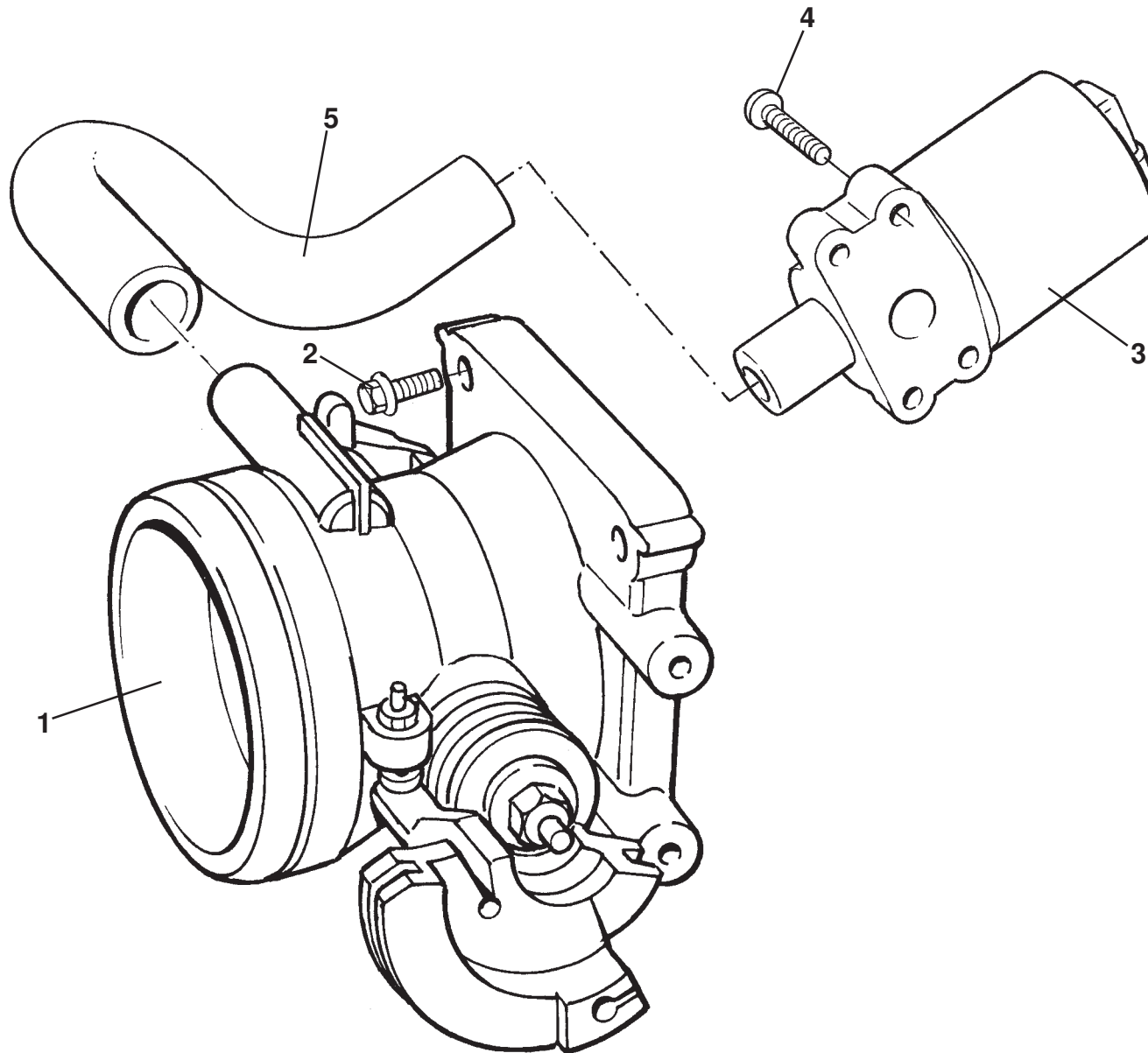
ELISE

42.01c

Updated 15th April 2011

Function Code 42.01c Airboxes, Trunking & Air Filters, VVC

<u>Dep</u>	<u>Part Description</u>	<u>Remarks</u>	<u>Option</u>	<u>Part Number</u>	<u>Qty</u>
01	Air Cleaner Housing Assembly		111/111S	A117E0036J	1
02	Air Cleaner Element		Common	A111E6022S	1
03	Resonator Box		111/111S	A117E0056J	1
04	Bracket, resonator box to clamshell	Also bonded to clamshell	111/111S	C117E0055F	1
05	Bolt, M6 x 16, flg. hd., bracket to bootbox		111/111S	A918W5208F	2
06	Washer, flat, M6 x 18 x 1, bracket to bootbox		111/111S	B082W4018	2
07	Nut, M6, bracket to bootbox		111/111S	A075W3020Z	2
08	Edging Strip, bracket to resonator box		111/111S	A117B6010V	0.2M
09	Bracket, resonator box to body		111/111S	C117E0054F	1
10	Flange Nut, M6, resonator box to bracket		111/111S A079W3074F R/B	A117W3180F	2
11	Washer, flat, M6 x 15 x 1.5, S/S, resonator box to bracket	Replaced by flange nut: item 10	111/111S A082W4133F R/B	A117W3180F	2
12	Intake Hose, air cleaner housing upper spigot		Common	A117E0015F	1
13	Intake Hose, resonator box to air cleaner hsg. lower spigot		111/111S	B117E0053F	1
14	Cable Tie, intake hose to bracket		111/111S	B075W6045Z	2
15	Oetiker Clip, hose to resonator box		111/111S	A111E6024F	1
16	Hose Clip, hose to air cleaner housing lower spigot		111/111S	A100E6082F	1
17	Hose Clip, air cleaner housing upper spigot		Common	A910E7004F	1
18	Label, air cleaner 160 VVC	Not illustrated	111/111S	A117U0311F	1



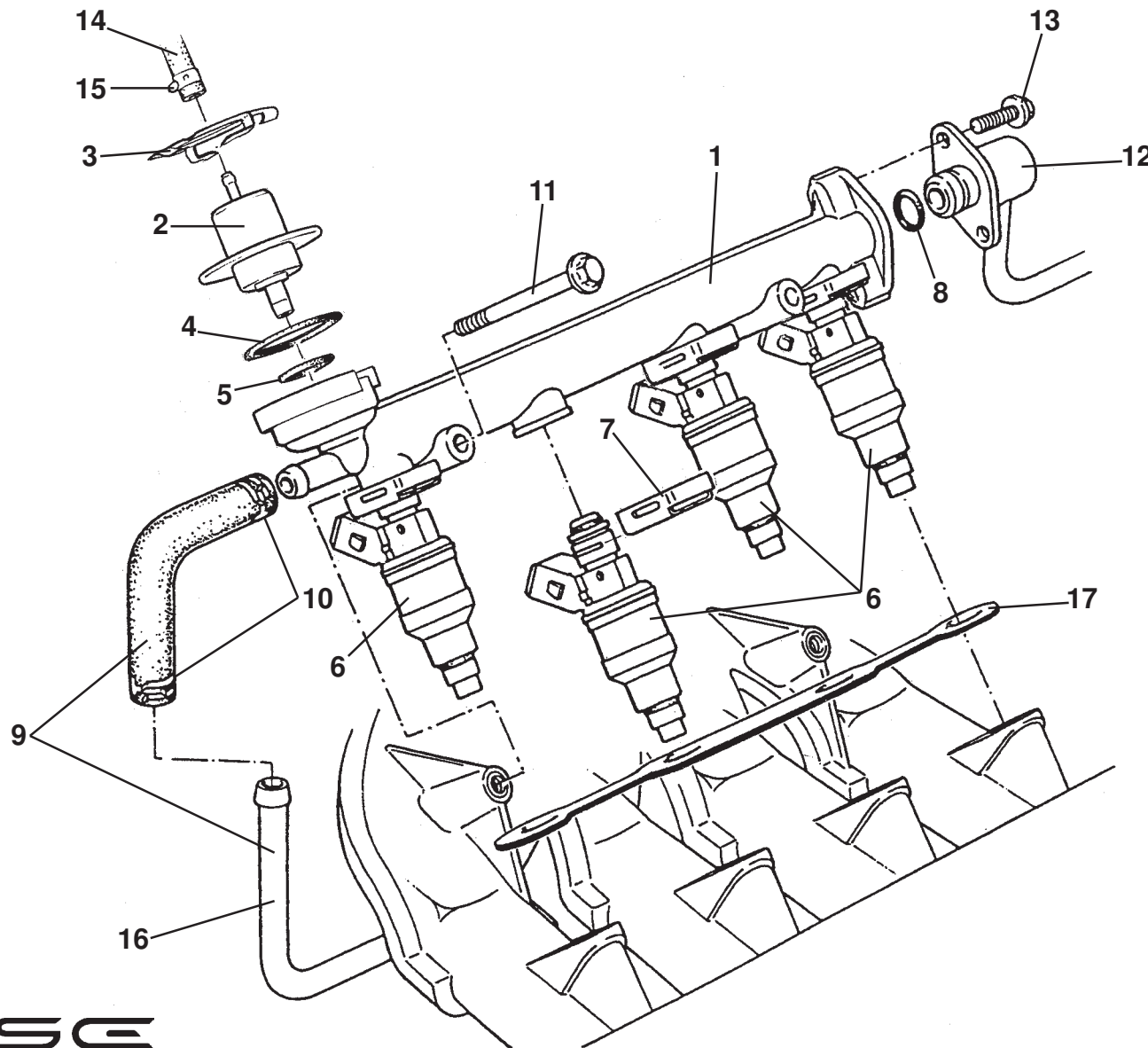
ELISE

42.04

Updated 15th April 2011

Function Code 42.04 Throttle Body, Mechanism & IAC Valve

<u>Dep</u>	<u>Part Description</u>	<u>Remarks</u>	<u>Option</u>	<u>Part Number</u>	<u>Qty</u>
01	Throttle Body			A111E0076S	1
01a	Throttle Body, VVC	Includes TPS	111/111S/Sport 135R	A117E6090S	1
02	Screw, flg, hd., throttle body to plenum			A111E6364S	4
03	Idle Air Control Valve (IAC)	Includes fixings, item 2		A117E6069S	1
04	Screw, IAC to plenum			A111E6435S	4
05	Hose, throttle body to IAC			A117E6105S	1

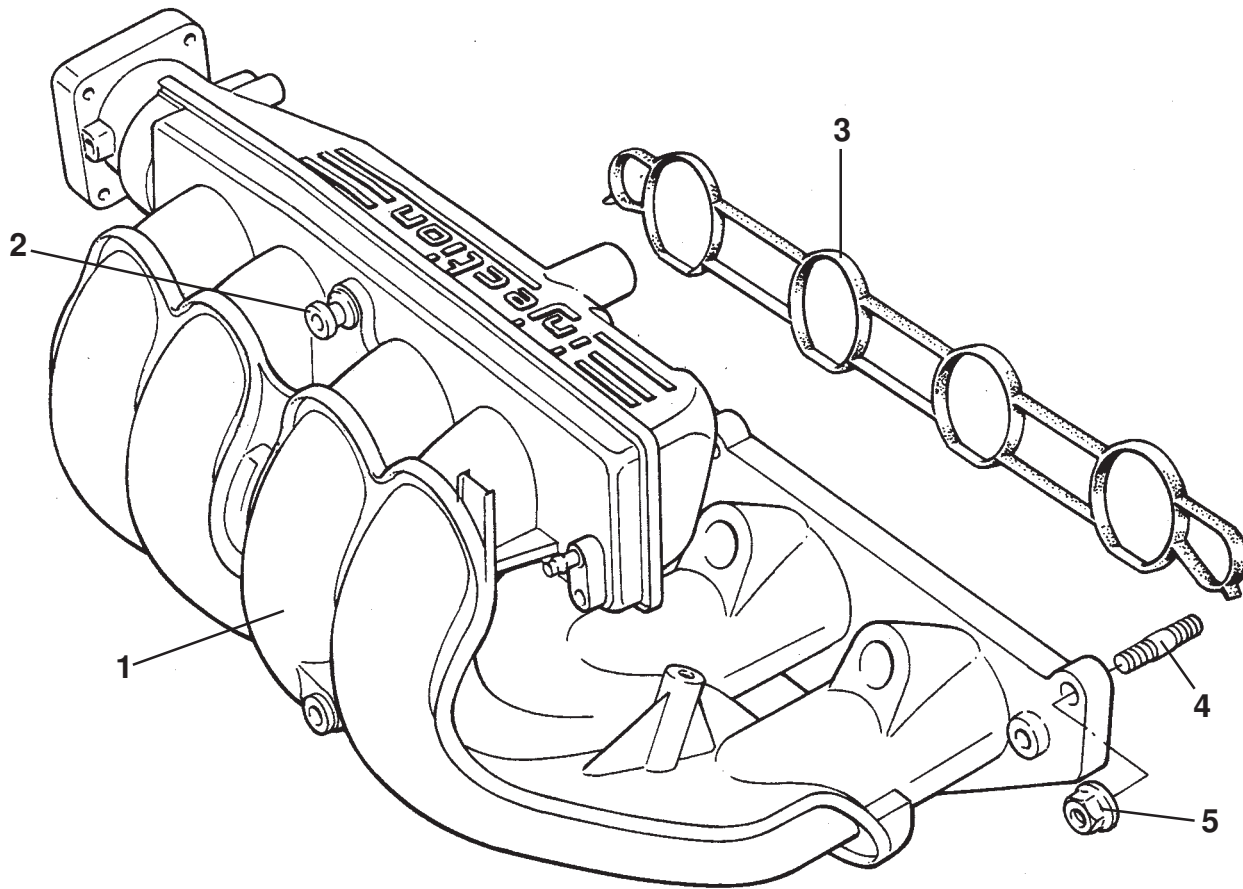


ELISE
42.05

Updated 15th April 2011

Function Code 42.05 Fuel Injection System

<u>Dep</u>	<u>Part Description</u>	<u>Remarks</u>	<u>Option</u>	<u>Part Number</u>	<u>Qty</u>
01	Fuel Rail.			A111E6464S	1
02	Fuel Pressure Regulator			A111E6465S	1
03	Clip, pressure regulator to fuel rail			A111E6466S	1
04	'O' Ring, large, pressure regulator to fuel rail			A111E6467S	1
05	'O' Ring, small, pressure regulator to fuel rail			A111E6468S	1
06	Injector.			A117E6063S	4
07	Clip, injector retaining			A111E6162S	4
08	'O' Ring, pipe to rail			A111E6142S	1
09	Fuel Pipe & Elbow Hose Assembly, fuel return	Replaces item 16		A117L6028S	1
10	Hose Clip			A111L6034S	2
11	Bolt, fuel rail to manifold			A111E6160S	2
12	Fuel Pipe Assembly, fuel feed			A111L6030S	1
13	Bolt, pipe to rail			A111L6035S	2
14	Vacuum Hose, regulator to manifold			A111E6078S	1
15	Hose Clip, vacuum hose securing			A111E6161S	1
16	Fuel Pipe Assembly, fuel return	Part of assy., item 9	A111L6046S R/B	A117L6028S	1
17	Injector Holding Plate, plastic			A117E6064S	1



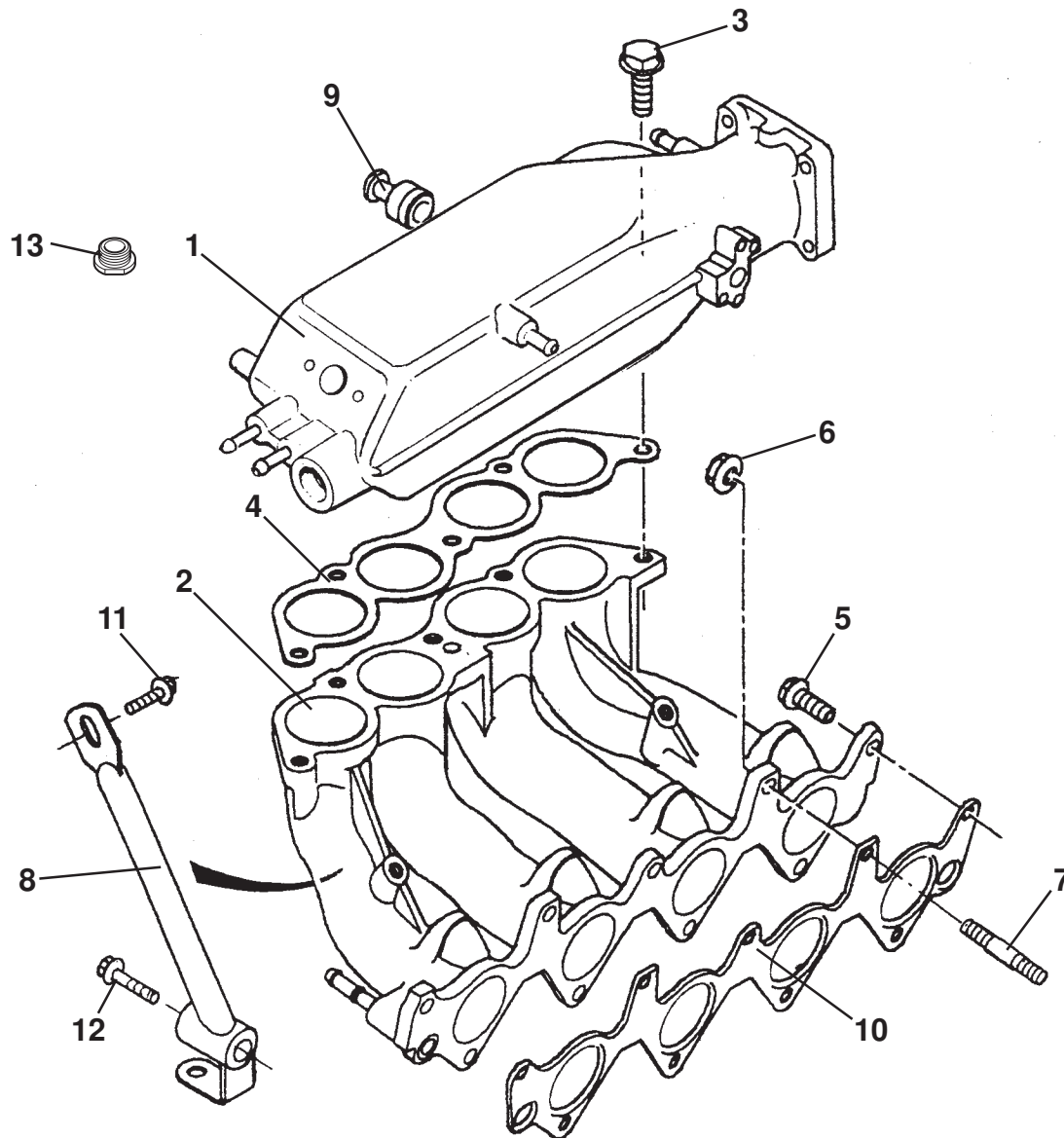
ELISE

42.07

Updated 15th April 2011

Function Code 42.07 Inlet Manifold, Plenum & gaskets

<u>Dep</u>	<u>Part Description</u>	<u>Remarks</u>	<u>Option</u>	<u>Part Number</u>	<u>Qty</u>
01	Inlet Manifold			A117E6073S	1
02	Vacuum Pipe Union			A111E6327S	1
03	Gasket, inlet manifold (green)	Also see section 40.02		B111E6086S	1
04	Stud, inlet manifold			B111E6081S	7
05	Nut, inlet manifold fix.			A111E6326S	7



ELISE

42.07a

Updated 24th January 2013

Service Parts List **ELISE**



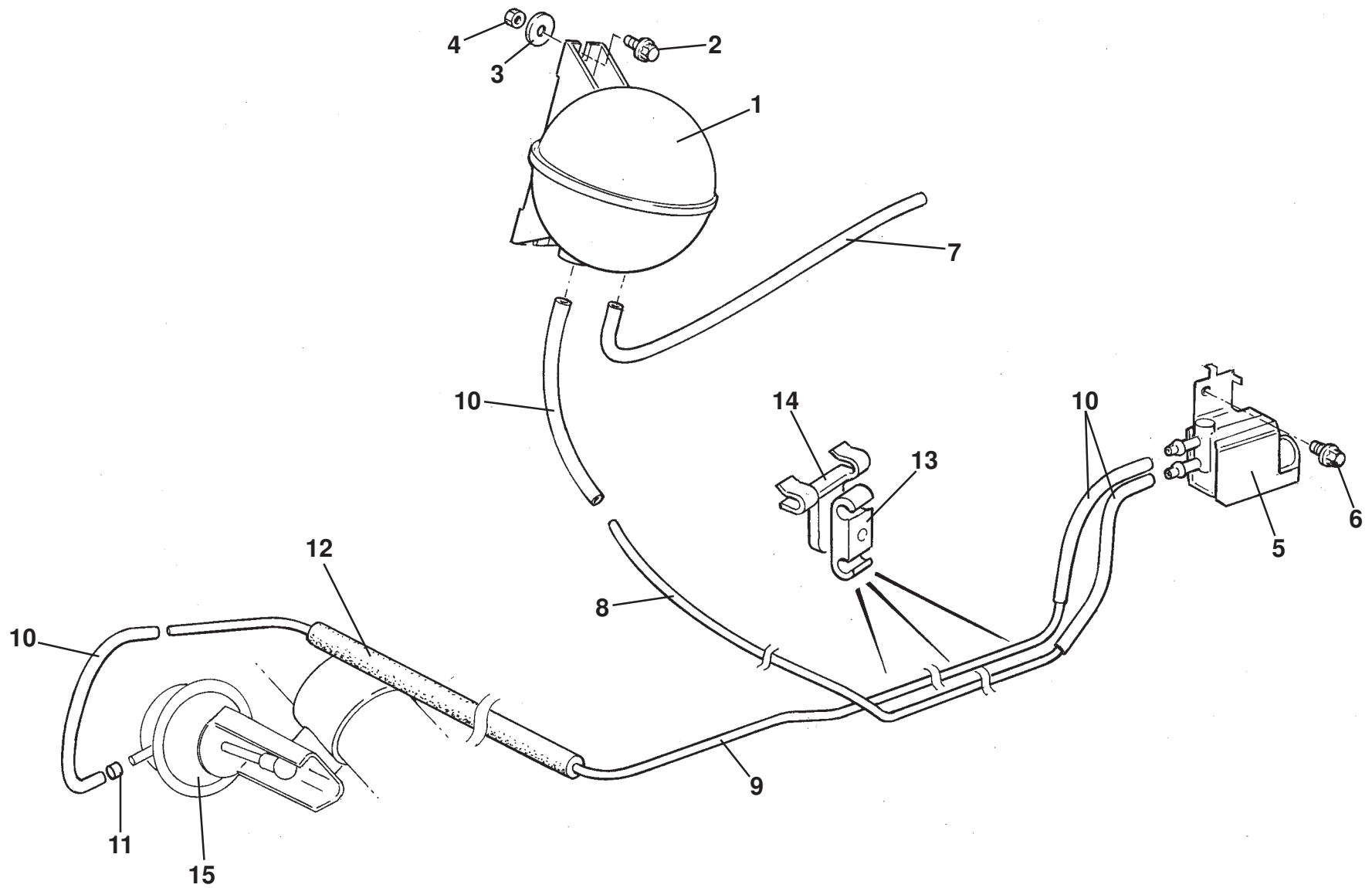
Function Code 42.07a Inlet Manifolds, Plenum & Gaskets VVC

<u>Dep</u>	<u>Part Description</u>	<u>Remarks</u>	<u>Option</u>	<u>Part Number</u>	<u>Qty</u>
01	Plenum		111/111S	A117E6065S	1
02	Inlet Manifold		111/111S	A111E6321S	1
02a	Plug, blanking	Not illus., unused IAT hole	111/111S	A117E6103S	1
02b	Sealing Washer	Not illus., unused IAT hole	111/111S	A117E6104S	1
03	Bolt, plenum to manifold		111/111S	A111E6324S	5
04	Gasket, plenum to manifold	Also see 40.02	111/111S	A111E6322S	1
05	Bolt, manifold to head		111/111S	A111E6165S	7
06	Nut, manifold fix.		111/111S	A111E6326S	2
07	Stud, manifold to head		111/111S	A111E6081S	2
08	Support Stay, manifold assy.		111/111S	A111E6328S	1
09	Insert, vacuum union		111/111S	A117E6066S	1
10	Gasket, manifold to head		111/111S	A117E6097S	1
11	Screw, M8 x 16, fhex, flg. hd., stay to manifold		111/111S	A111Q6010S	1
12	Screw, hex. flg. hd., stay to engine		111/111S	A111E6237S	1
13	Blanking Plug		111/111S	A111E6327S	1

ELISE

Function Code: 42.07a, Page: 1

Updated 24th January 2013



ELISE

43.03

Updated 14th December 2011

Service Parts List **ELISE**



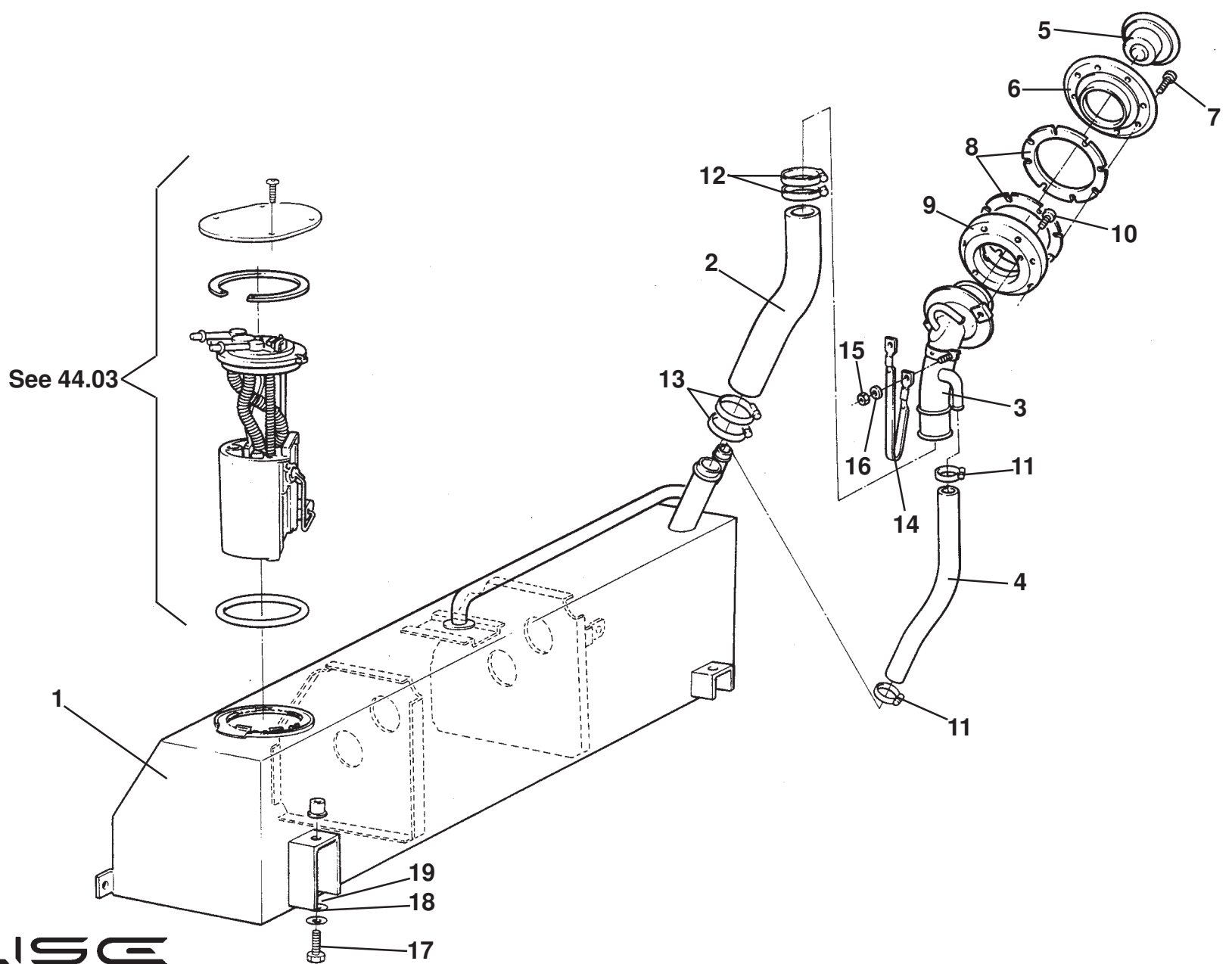
Function Code 43.03 Vacuum System, Hoses, Pipes & Fittings

<u>Dep</u>	<u>Part Description</u>	<u>Remarks</u>	<u>Option</u>	<u>Part Number</u>	<u>Qty</u>
01	Vacuum Reservoir		111/111S	A100P6018F	1
02	Bolt, M6 x 16, flg. hd. reservoir securing		111/111S	A918W5208F	2
03	Washer, flat, M6, reservoir securing		111/111S	B082W4018F	2
04	Nut, M6, reservoir securing		111/111S	A075W3020Z	2
05	Solenoid Valve, exhaust flap actuating		111/111S	A082M6421F	1
06	Bolt. M5 x 10, flg. hd., valve to ECM mounting plate		111/111S	A117W5261F	1
07	Hose, 480mm, red, reservoir to manifold		111/111S	B117E0066F	1
08	Vacuum Pipe, reservoir to solenoid valve		111/111S	A117E0043F	1
09	Vacuum Pipe, steel, solenoid valve to exhaust capsule		111/111S, B117E0041F R/B	C117E0041F	1
10	Connecting Hose, 140mm, pipes to system components		111/111S	A117E0039F	4
11	Hose Clip, connector hose to capsule		111/111S	A111L6027F	1
12	Foam Insulator, steel pipe		111/111S	A117E0040F	1
13	Clip, pipes securing		111/111S	A100J6044F	3
14	Retainer, pipe clips		111/111S	A117E6074F	2
15	Vacuum Actuator, exhaust flap	Includes fixings	111/111S		1

ELISE

Function Code: 43.03, Page: 1

Updated 14th December 2011



ELISE
44.01

Updated 15th April 2011

Service Parts List **ELISE**



Function Code 44.01 Fuel Tanks, Filler

<u>Dep</u>	<u>Part Description</u>	<u>Remarks</u>	<u>Option</u>	<u>Part Number</u>	<u>Qty</u>
01	Fuel Tank			B117L0055F	1
02	Hose, fuel filler			B117L0060F	1
02	Hose, fuel filler			B117L0060F	1
03	Filler Neck		B117L0002F	D117L0002F	1
04	Hose, fuel breather		A117L0062F R/B	B117L0062F	1
04	Hose, fuel breather		A117L0062F R/B	B117L0062F	1
05	Fuel Cap, including lock barrel & Keys, black body	Master keys with handle, Keys are L-code, lock set required for D-code*		C117L0025J	1
05a	Fuel Cap, less lock barrel, black body	Cap only, order with vehicle lock set, or item 5b		A138L0163F	1
05b	Lock Barrel & Keys for the fuel cap	Master keys with handle, Keys are L-code, lock set required for D-code*		A117L6050S	1
06	Ring, fuel cap to clamshell			B117L0024F	1
07	Setscrew, M5 x 15, cap hd, filler neck to body			A117L6033F	8
08	Gasket, rings to clamshell			B117L0027F	2
09	Spacer Ring, filler to clamshell			B117L0021F	1
10	Screw, ring to filler neck			A117L6032H	2
11	Hose Clip, breather hose			A117W6677F	4
12	Hose Clip, filler hose, upper			A117W6684F	2

ELISE

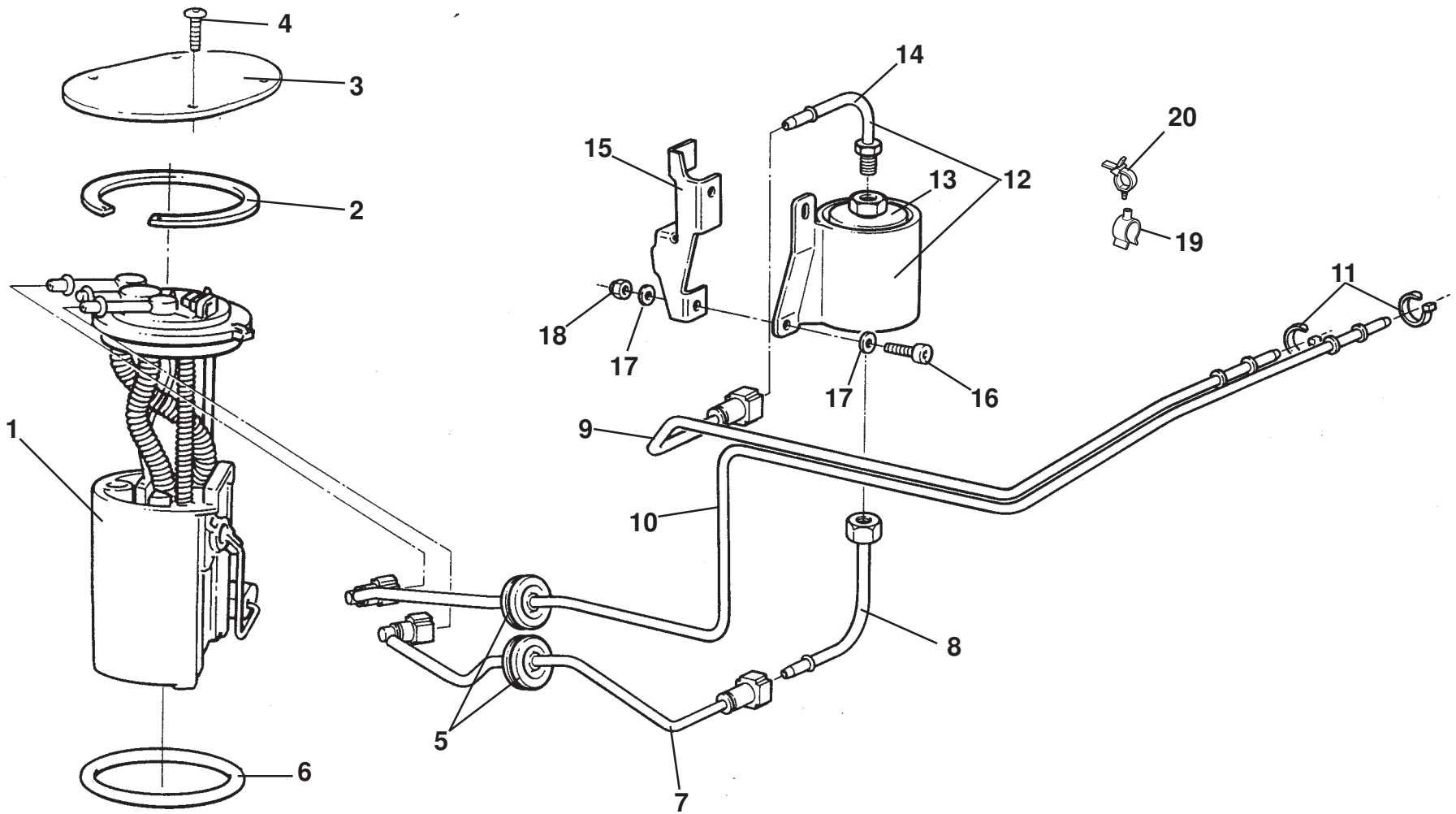
Function Code: 44.01, Page: 1

Updated 3rd July 2017

Function Code 44.01 Fuel Tanks, Filler

<u>Dep</u>	<u>Part Description</u>	<u>Remarks</u>	<u>Option</u>	<u>Part Number</u>	<u>Qty</u>
13	Hose Clip, filler hose, lower			A117W6706F	2
14	Earth Braid			A079M4094F	1
15	Nyloc Nut, M5, braid to filler neck			A075W3008Z	2
16	Washer, flat, M5 x 10 x 0.8, S/S			A082W4129F	2
17	Setscrew, M8 x 25, tank to chassis			A075W1039Z	4
18	Washer, spring, M8, tank to chassis			A075W4036Z	4
19	Washer, flat, M8, tank to chassis			A075W4019Z	4

*NOTE: For information on D & L
code keys see LSL483g



ELISE

44.03

Updated 24th January 2013

Service Parts List **ELISE**



Function Code 44.03 Fuel Pump; Filter, Pipes

<u>Dep</u>	<u>Part Description</u>	<u>Remarks</u>	<u>Option</u>	<u>Part Number</u>	<u>Qty</u>
01	Fuel Pump and Sender Unit			B116L6001L	1
02	Circlip, pump to tank			A116L6011L	1
03	Access Panel, fuel tank			A117L0042F	1
04	Screw, access cover			A111W7117F	4
05	Grommet			A117L6027H	2
06	'O' Ring, fuel pump to tank			A116L6013L	1
07	Fuel Pipe Assembly, feed, pump to filter			A117L0006F	1
08	Adaptor Pipe, filter inlet to feed hose	Original part number not available		Pt No not avail	1
09	Fuel Pipe Assembly , feed, filter to engine			A117L0007F	1
10	Fuel Pipe Assembly, return			A117L0008F	1
11	Cable Tie, quick connect retention			A075W6038F	2
12	Fuel Filter Housing Assembly	Includes pipe item 14		A111L6002F	1
13	Fuel Filter Element			A111L6037S	1
14	Adaptor Pipe, filter outlet to feed hose			A111L6038S	1
15	Bracket, filter mounting			A117L0003F	1
16	Setscrew, M6 x 18, cap hd., filter assy to bracket			A075W1029Z	2
17	Washer, flat, M6			A075W4015Z	4
18	Nyloc Nut, M6			A075W3009Z	2

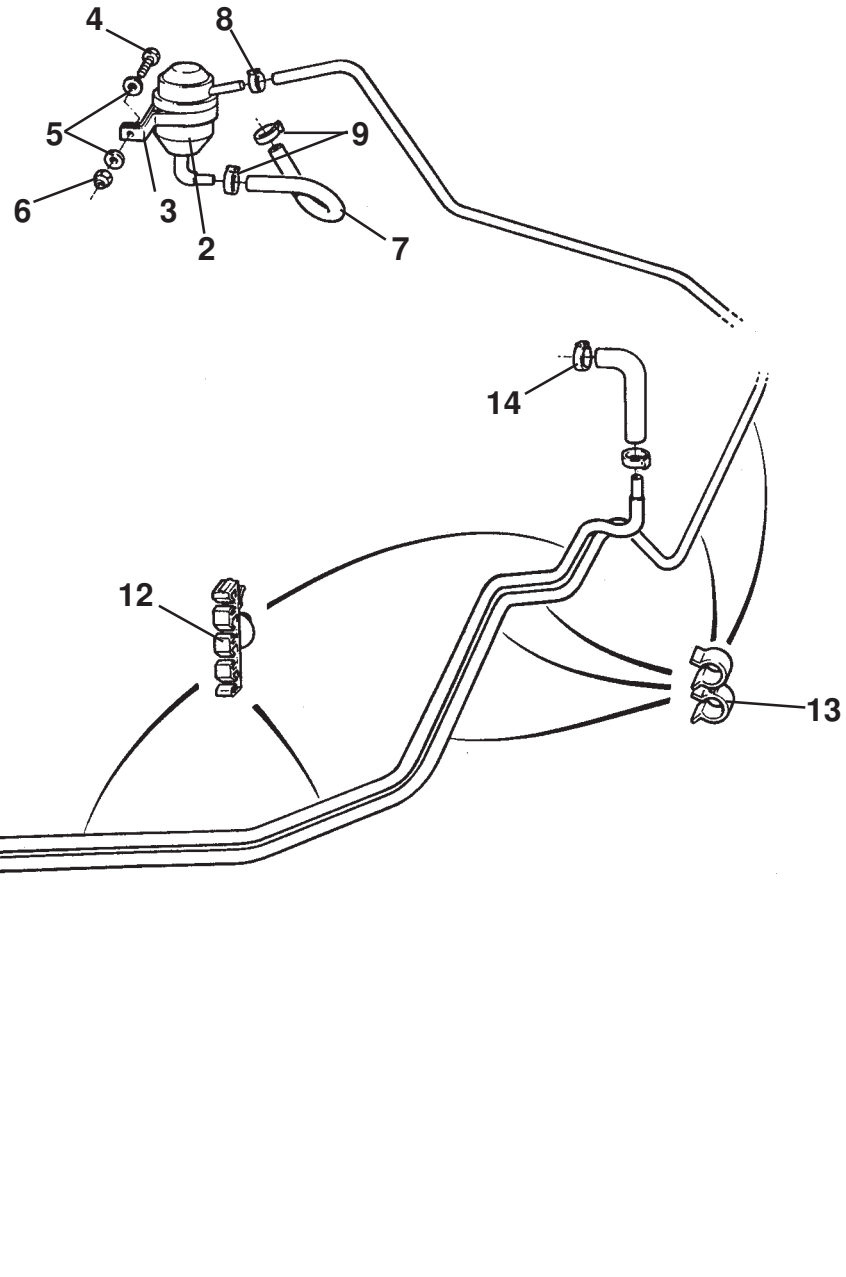
ELISE

Function Code: 44.03, Page: 1

Updated 1st July 2015

Function Code 44.03 Fuel Pump; Filter, Pipes

<u>Dep</u>	<u>Part Description</u>	<u>Remarks</u>	<u>Option</u>	<u>Part Number</u>	<u>Qty</u>
19	Swivel Clip			A085W6587F	2
20	Swivel Clip, cable tie			A082W6324F	2



ELISE
44.05

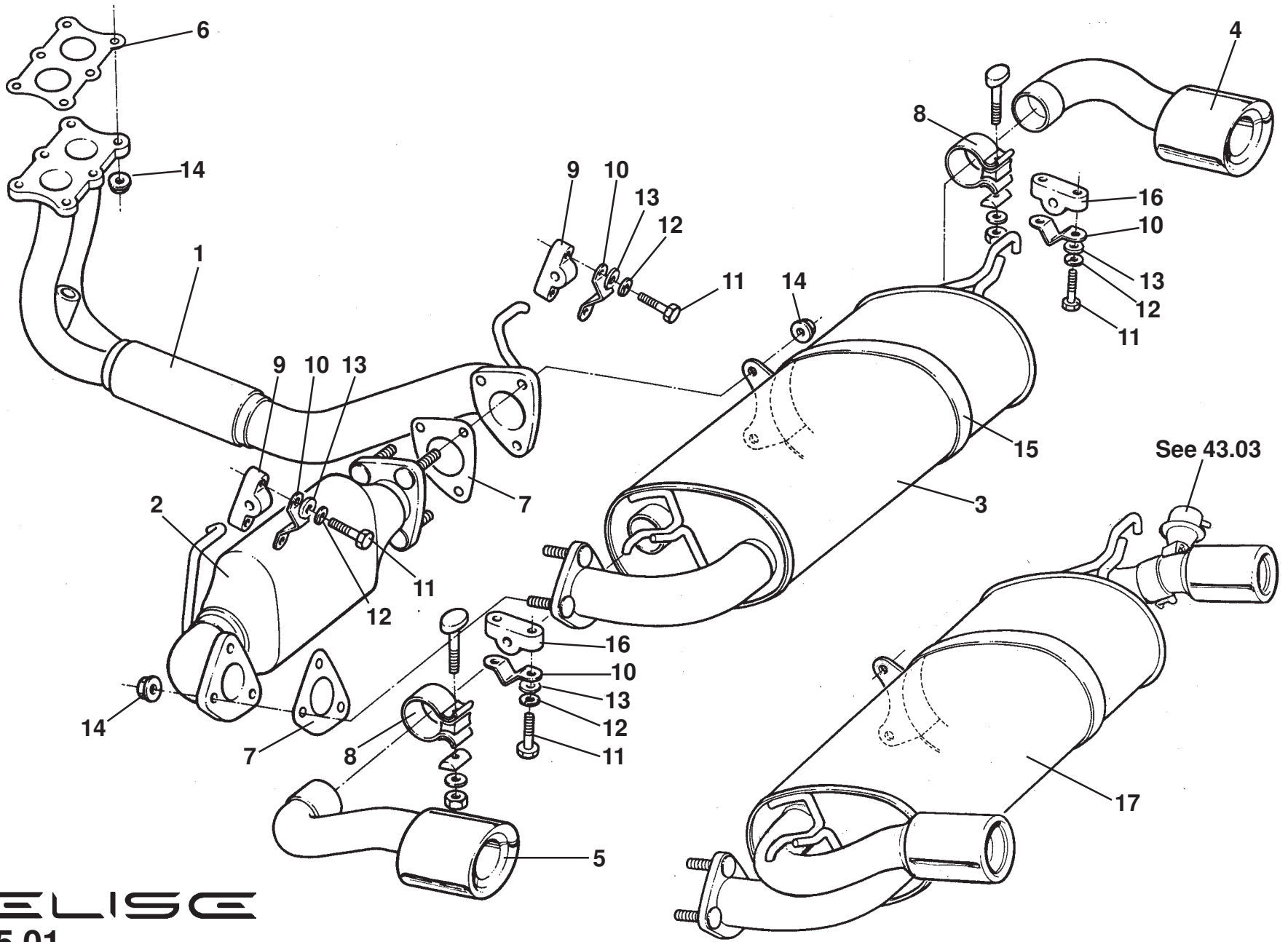
Updated 15th April 2011

Service Parts List **ELISE**



Function Code 44.05 Charcoal Canister & Evaporative Loss System.

<u>Dep</u>	<u>Part Description</u>	<u>Remarks</u>	<u>Option</u>	<u>Part Number</u>	<u>Qty</u>
01	Charcoal Canister Assembly	Includes pipes & fixings		A117L0029F	1
02	Roll Over Valve	Part of item 1		A117L6039H	1
03	Mounting Clamp, roll over valve			A111L6012H	1
04	Setscrew, M6 x 12, roll over valve fix.			A075W1027Z	1
05	Washer, M5, roll over valve fix.			A075W4011Z	2
06	Nyloc Nut, M6, roll over valve fix			A907E6285F	1
07	Hose, roll over valve to filler neck			A117L6016H	1
08	Hose Clip	Part of item 1		A117L6024H	1
09	Hose Clip			A111L6027H	2
10	Bracket, charcoal canister			A111L6009F	1
11	Pop Rivet, bracket to bulkhead				1
12	Clip, four pipe retention			A117L6023H	3
13	Clip, two pipe retention			A117L6024H	5
14	Hose Clip, oetiker, 6.5mm, elbow to manifold			A117L6044F	1



ELISE
45.01

Updated 15th April 2011

Service Parts List **ELISE**



Function Code 45.01 Exhaust System

<u>Dep</u>	<u>Part Description</u>	<u>Remarks</u>	<u>Option</u>	<u>Part Number</u>	<u>Qty</u>
01	Downpipe			A117S0030F	1
02	Catalyst	Includes studs		A117S0029F	1
02a	Catalyst, VVC		111/111S	A117S0054F	1
02b	Catalyst Replacement Pipe		TRACK ONLY	LOTAC05286	1
03	Silencer			A117S0027F	1
03a	Silencer, sports		TRACK ONLY, common	LOTAC05352	1
04	Tail Pipe, RH			B117S0032F	1
04a	Sports Pipe Kit, oval trims, sports	Includes clamps	TRACK ONLY, standard	LOTAC05353	1
04b	Sports Pipe Kit, round trims, sports	Includes clamps	TRACK ONLY, 111/111S	LOTAC05354	1
05	Tail Pipe, LH			B117S0031F	1
06	Gasket, manifold to downpipe			A117S0037F	1
07	Gasket, catalyst			A111S6014F	2
08	Clamp, 48mm, tail pipes to silencer		A111S6007F R/B	A117S0038H	2
09	Exhaust Mounting, silicon, blue, exhaust to subframe			A111S0071F	2
10	Clip, exhaust hanger		A111S0023K R/B	A117S0049F	4
11	Bolt, M8 x 35, flg. hex hd.		A075W2038D R/B	A117W5249F	8
12	Washer, spring, M8			A075W4036Z	8
13	Washer, flat, M8			A075W4020Z	8

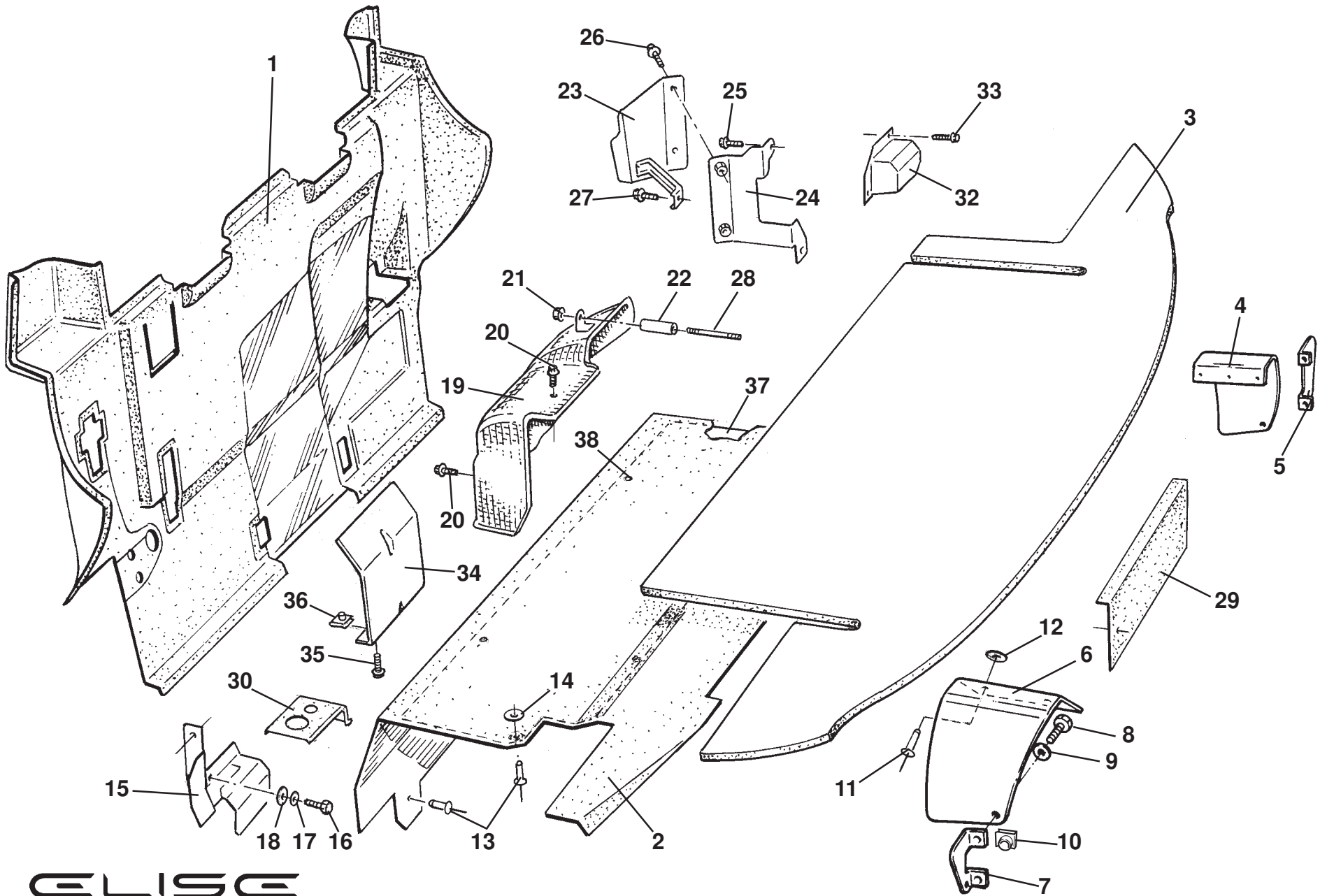
ELISE

Function Code: 45.01, Page: 1

Updated 14th December 2011

Function Code 45.01 Exhaust System

<u>Dep</u>	<u>Part Description</u>	<u>Remarks</u>	<u>Option</u>	<u>Part Number</u>	<u>Qty</u>
14	Nut, M10 x 1.5, flg. hd.			A111W3151F	12
15	Torca Band, silencer to downpipe/catalyst		Common	A117S0039H	1
16	Exhaust Mounting, rubber, black, exhaust to longerons			A111S6002F	2
17	Silencer Assembly, VVC, chrome tailpipe trims	Integral tailpipes, flap valve in RH pipe	111/111S	A117S0055F	1
17a	Silencer Assembly, black tailpipe trims, VVC	Integral tailpipes, flap valve in RH pipe	111/111S Swiss Ltd Edition	A117S0062F	1



ELISE
45.05

Updated 15th April 2011

Service Parts List **ELISE**



Function Code 45.05 Heatshields

<u>Dep</u>	<u>Part Description</u>	<u>Remarks</u>	<u>Option</u>	<u>Part Number</u>	<u>Qty</u>
01	Heatshield, bulkhead		F117S0023F R/B	G117S0023F	1
02	Heatshield, catalyst	From 111/111S introduction	A117S0040F R/B	B117S0040F	1
02a	Heatshield & Reflector Assembly, catalyst	Comprises items: 2, 37 & 38		A117S0059J	1
03	Heatshield, boot floor			A117U0254F	1
04	Heatshield, rear clamshell, RH			A117S0042K	1
05	Bracket, heatshield retention, LH	Bonded to clamshell		A117S0045F	1
06	Heatshield, rear clamshell, LH			A117S0043K	1
07	Bracket, heatshield retention, RH	Bonded to clamshell		A117S0044F	1
08	Screw, M5 x 16, hex. hd., S/S, heatshield to bracket			A111W1163F	4
09	Washer, flat, M5 x 18 x 1.4, S/S			B075W4009Z	4
10	Spirenut, M5			B100W6372F	4
11	Pop Rivet, heatshield to longeron			A111W6593F	4
12	Washer, flat, heatshield to longeron				4
13	Pop Rivet, 3/16", heatshields fix.			A089W6297F	6
14	Washer, flat, 3/16" x 0.5", heatshields fix.			A075W4000Z	4
15	Heatshield, balljoint, LH			A111S0074F	1
16	Bolt, M6 x 16, hex. flg. hd., heatshield to subframe	Screw & washers R/B flg. hd. bolt	A075W1027Z R/B	A918W5208F	3
17	Washer, spring, M6	Screw & washers R/B flg. hd. bolt	A075W4035Z R/B	A918W5208F	3

ELISE

Function Code: 45.05, Page: 1

Updated 4th December 2017

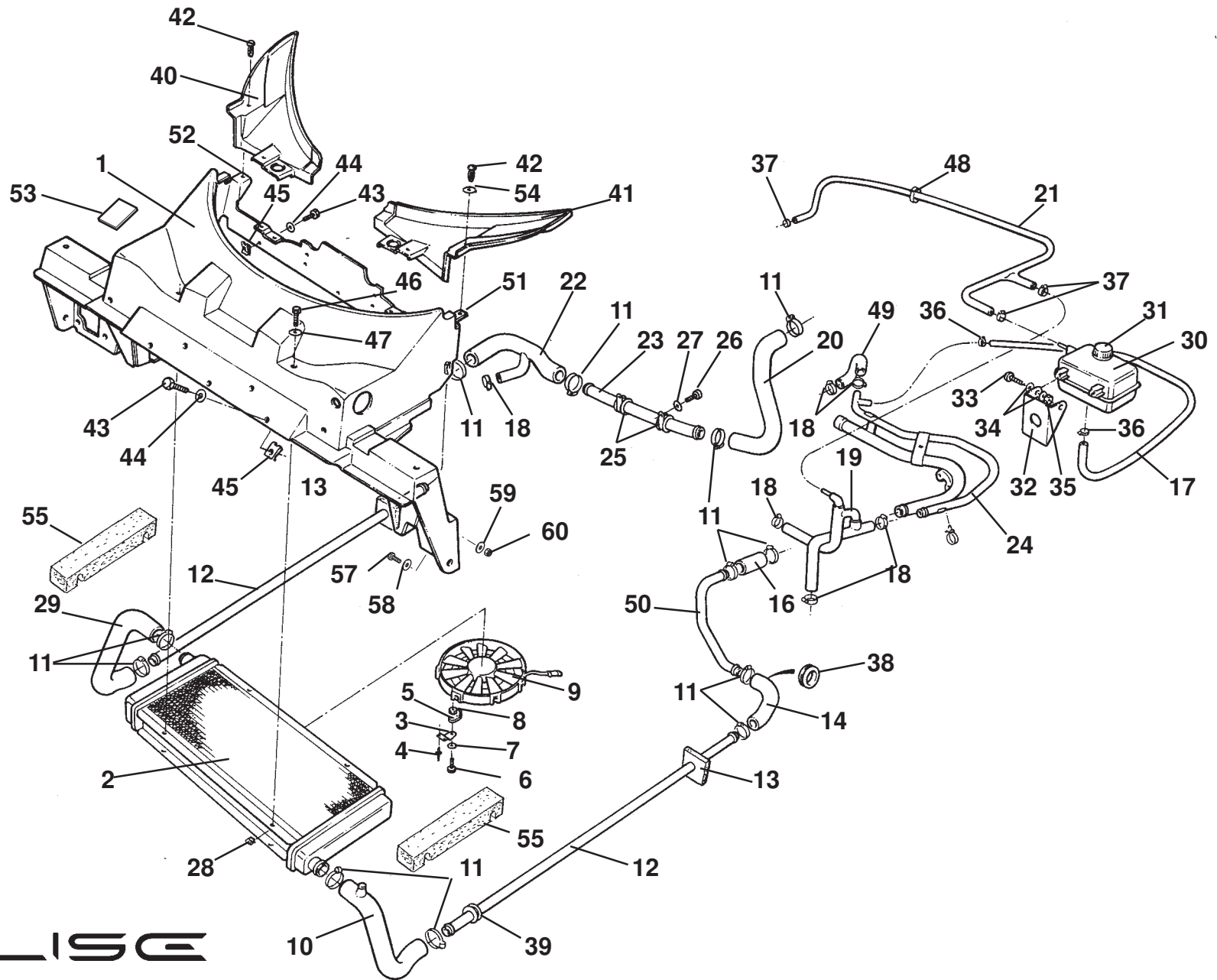
Function Code 45.05 Heatshields

<u>Dep</u>	<u>Part Description</u>	<u>Remarks</u>	<u>Option</u>	<u>Part Number</u>	<u>Qty</u>
18	Washer, flat, M6 x 15 x 1.5	Screw & washers R/B flg. hd. bolt	A075W4015Z R/B	A918W5208F	3
19	Heatshield, exhaust manifold			A117E6004F	1
20	Screw, flg. hd., heatshield to manifold			A117W1174F	2
21	Nut., flange, M6 x 16. hex. hd., heatshield to head			A117W1169F	2
22	Spacer, exhaust heatshield support		A117E0026F R/B	A117E6059F	1
23	Heatshield, alternator			A111E6218S	1
24	Bracket, heatshield to block			A111E6224F	1
25	Screw, flg. hd., bracket to block			A111E6225F	2
26	Screw, flg. hd., heatshield to bracket			A111E6007F	2
27	Screw, M10 x 15, flg. hd., heatshield to block			A117W5275F	1
28	Stud, heatshield to head			A117E6041S	1
29	Heatshield, clamshell support plate			A117S0041F	1
30	Heatshield/NVH Pad, fuel tank to chassis aperture	Fits around filler & breather pipes		B117S0046F	1
31	Clip, bulkead heatshield to bulkhead			A117S6003F	?
32	Heatshield, balljoint, RH		111/111S	A117S0058F	1
33	Bolt, M6 x 16, hex. flg. hd., heatshield to subframe		111/111S	A918W5208F	2
34	Heatshield, exhaust lower	Fitted to chassis crossrail	111/111S	A117S0060F	1
35	Bolt, M6 x 16, hex. flg. hd., heatshield to chassis		111/111S	A918W5208F	2
36	Captive Nut, M6, heatshield to chassis		111/111S	A117W3181F	2
37	Alloy Reflector, catalyst heatshield	From 111/111S intro.		A117S0057F	1
38	Pop Rivet, 3/16", reflector to heatshield	From 111/111S intro.		A089W6297F	4

ELISE

Function Code: 45.05, Page: 2

Updated 4th December 2017



ELISE
46.01

Updated 1st December 2014

Service Parts List **ELISE**



Function Code 46.01 Engine Cooling System & Fan

<u>Dep</u>	<u>Part Description</u>	<u>Remarks</u>	<u>Option</u>	<u>Part Number</u>	<u>Qty</u>
01	Radiator Housing		F117B0151F R/B	H117B0151F	1
02	Radiator	For VVC & AC see 46.01b	Standard heater cars only	A111K0021F	1
03	Bracket, radiator fan mtg.			A111K0001F	4
04	Pop Rivet			A075W6087Z	8
05	Bracket, radiator fan mtg.			A111K6003F	4
06	Setscrew, M6 x 16			A075W1028Z	4
07	Washer, M6			A075W4017Z	4
08	Nyloc Nut, M6			A907E6285F	4
09	Radiator Cooling Fan			A111K6002F	1
10	Hose, pipe to radiator, LH	Includes bleed valve		A111K0007F	1
11	Hose Clip, 25-40mm			A075M6145F	12
12	Pipe, chassis water rail			A111K0041F	2
13	Seal, pipe to chassis			A111A0033F	4
14	Hose, engine inlet			A111K0016F	1
15	Pipe, engine inlet			A111K0017F	1
16	Hose, engine inlet			A111K0015F	1
17	Hose, header tank to engine			A079P4056F	1
18	Hose Clip, 16-25mm			A079K6018F	11

ELISE

Function Code: 46.01, Page: 1

Updated 1st December 2014

Function Code 46.01 Engine Cooling System & Fan

<u>Dep</u>	<u>Part Description</u>	<u>Remarks</u>	<u>Option</u>	<u>Part Number</u>	<u>Qty</u>
19	Hose, coolant bypass & heater return	For VVC & AC see 18.05	Standard heater cars only	A111K0004K	1
20	Hose, engine water outlet			A111K0023F	1
21	Hose, header tank bleed			A111K0040F	1
22	Hose, engine outlet/heater feed			A111K0029F	1
23	Pipe, engine outlet			A111K0024F	1
24	Coolant Pipe, engine return	Mounted on engine		A111E6229S	1
25	'P' Clip			A111W6573F	1
26	Setscrew, M8 x 25			A075W1039Z	1
27	Washer, M8			A075W4020Z	3
28	Cage Nut, rad. to housing			A100W6362F	4
29	Hose, pipe to radiator, RH			A111K0008F	1
30	Header Tank	For OAT label see 19.01		A111K6004F	1
31	Pressure Cap			A111K6001F	1
32	Bracket, header tank mounting			C111K0003F	1
33	Setscrew, M6 x 25 S/S			A918W1151F	2
34	Washer, flat, M6			A075W4015Z	4
35	Nyloc Nut, M6			A907E6285F	2
36	Hose Clip, 20-32mm			B907E6085F	2
37	Hose Clip, 8-16mm			A082L6042F	3
38	Grommet, hose through chassis rear			A082K6022F	2
39	Grommet, pipe through chassis front			A111K6006F	2

ELISE

Function Code: 46.01, Page: 2

Updated 1st December 2014

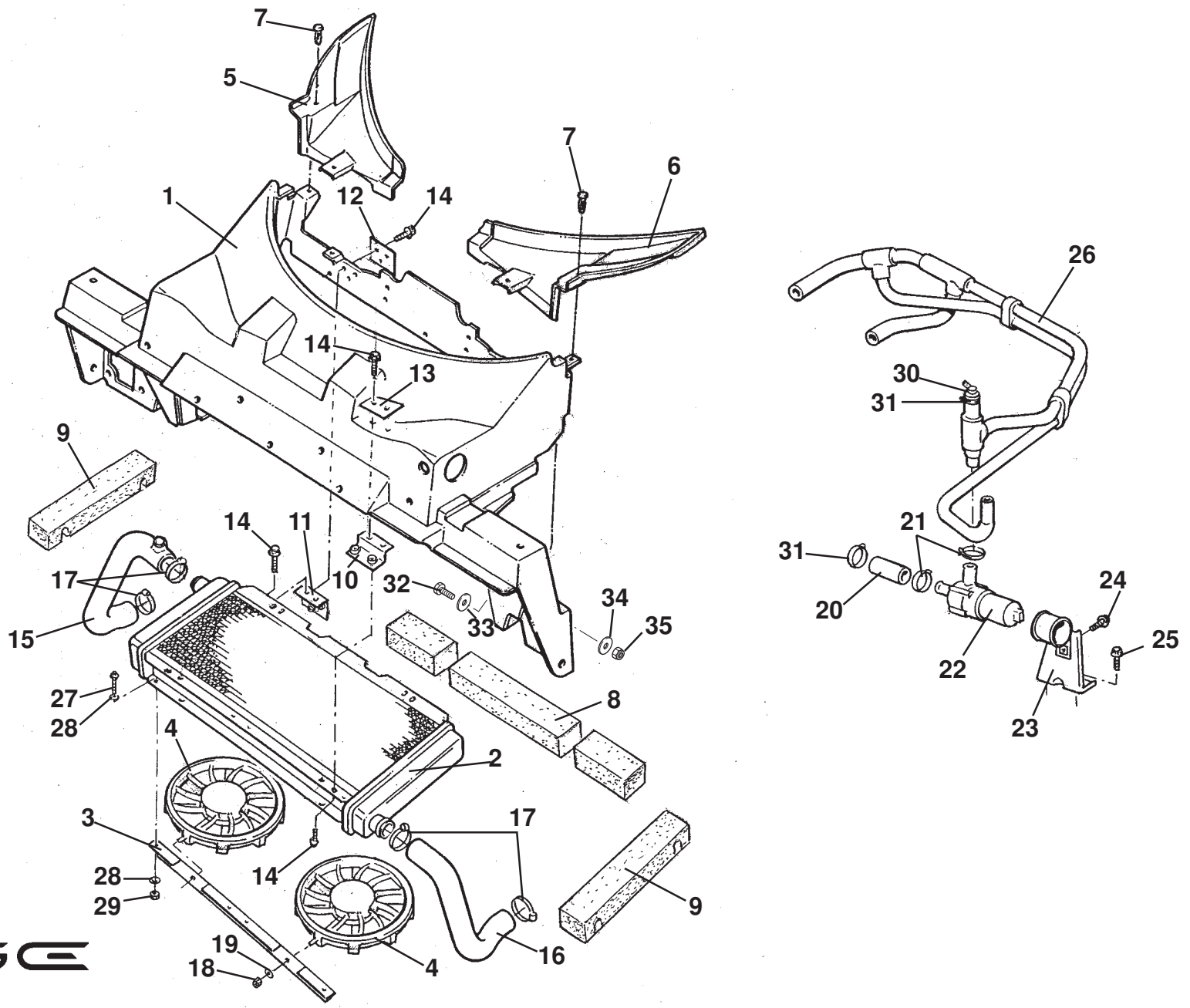
Function Code 46.01 Engine Cooling System & Fan

<u>Dep</u>	<u>Part Description</u>	<u>Remarks</u>	<u>Option</u>	<u>Part Number</u>	<u>Qty</u>
40	Shroud. radiator, RH		A117B0152F R/B	B117B0152F	1
41	Shroud. radiator, LH		A117B0241F R/B	B117B0241F	1
42	Screw, M5 x 16, skt. button hd., shroud fix.		A075W1085F R/B	A111W7156F	4
43	Screw, M5 x 20, skt. button hd., hsg. to crash structure	Stainless steel	A082W5107F R/B	A082W7173F	6
44	Washer, flat, 0.75", housing to crash structure		A075W4009Z R/B	A340W4183F	6
45	Spirenut, M5, housing to crash structure			A117W6697F	6
46	Setscrew, M6 x 16, hex. hd., rad. to housing			A075W1028Z	4
47	Washer, flat, M6 x 25 x 1.4			A075W4017Z	4
48	Clip			A082W6587F	2
49	Hose, bypass, pipe to thermostat			A111E6459S	1
50	Pipe, engine inlet			A111K0017F	1
51	Bracket, housing to shroud, LH			A117B0447F	1
52	Bracket, housing to shroud, RH			A117B0448F	1
53	Pad, front clamshell mounting to rad. Housing			A117U0163F	2
54	Washer, flat, M5 x 19 x 1.4, S/S, black			B082W4107F	4
55	Foam, radiator sealing		B117B0282F R/B	C117B0282F	2
56	Antifreeze	Not illustrated		A082K6063V	4 Ltr
57	Screw M6 x 25 hex hd, surround to crash structure			A075W1031Z	2
58	Washer Flat, 3/16 x 3/4 s/s, surround to crash structure			B082W4009F	2
59	Washer Flat, M6 x 18 x 1, surround to crash structure			B082W4018F	2
60	Nyloc Nu,t M6, surround to crash structure			A075W3009Z	2

ELISE

Function Code: 46.01, Page: 3

Updated 1st December 2014



ELISE
46.01b

Updated 1st December 2014

Service Parts List **ELISE**



Function Code 46.01b Engine Cooling System & Fans, VVC & AC

<u>Dep</u>	<u>Part Description</u>	<u>Remarks</u>	<u>Option</u>	<u>Part Number</u>	<u>Qty</u>
01	Radiator Housing	A117B0456F R/B	AC cars, 111/111S	B117B0456F	1
02	Radiator		AC cars, 111/111S	C117K0021F	1
03	Bracket, fans to radiator		111/111S heater	A117K0025F	2
04	Radiator Cooling Fan		AC cars, 111/111S	A111M6070F	2
05	Shroud, radiator, RH		AC cars, 111/111S	B117B0152F	1
06	Shroud, radiator, LH		AC cars, 111/111S	B117B0241F	1
07	Screw, M5 x 16, skt. button hd., shroud fix.	A075W1085F R/B	Common	A111W7156F	4
07a	Washer, flat, M5 x 19 x 1.4, S/S, black	Not illustrated	Common	A082W4107F	4
08	Foam, condenser to housing rear edge		AC cars	A117B0446F	1
09	Foam, condenser to housing sides	RH remove pre-cut slots	AC cars	C117B0282F	2
10	Bracket, radiator to housing, front		AC cars, 111/111S	A117K0005F	2
11	Bracket, radiator to housing, rear		AC cars, 111/111S	A117K0006F	2
12	Spreader Plate, front bracket to housing		AC cars, 111/111S	A117P0102F	2
13	Spreader Plate, rear bracket to housing		AC cars, 111/111S	A117P0117F	2
14	Bolt, M8 x 16, flg. hd., brackets to radiator/housing		AC cars, 111/111S	A117W2202F	18
15	Hose, pipe to radiator, RH	Includes bleed valve	AC cars, 111/111S	A117K0008F	1
16	Hose, pipe to radiator, LH		AC cars, 111/111S	A117K0015F	1
17	Hose Clip, hose to radiator/chassis pipe		Common	A075M6145F	4

ELISE

Function Code: 46.01b, Page: 1

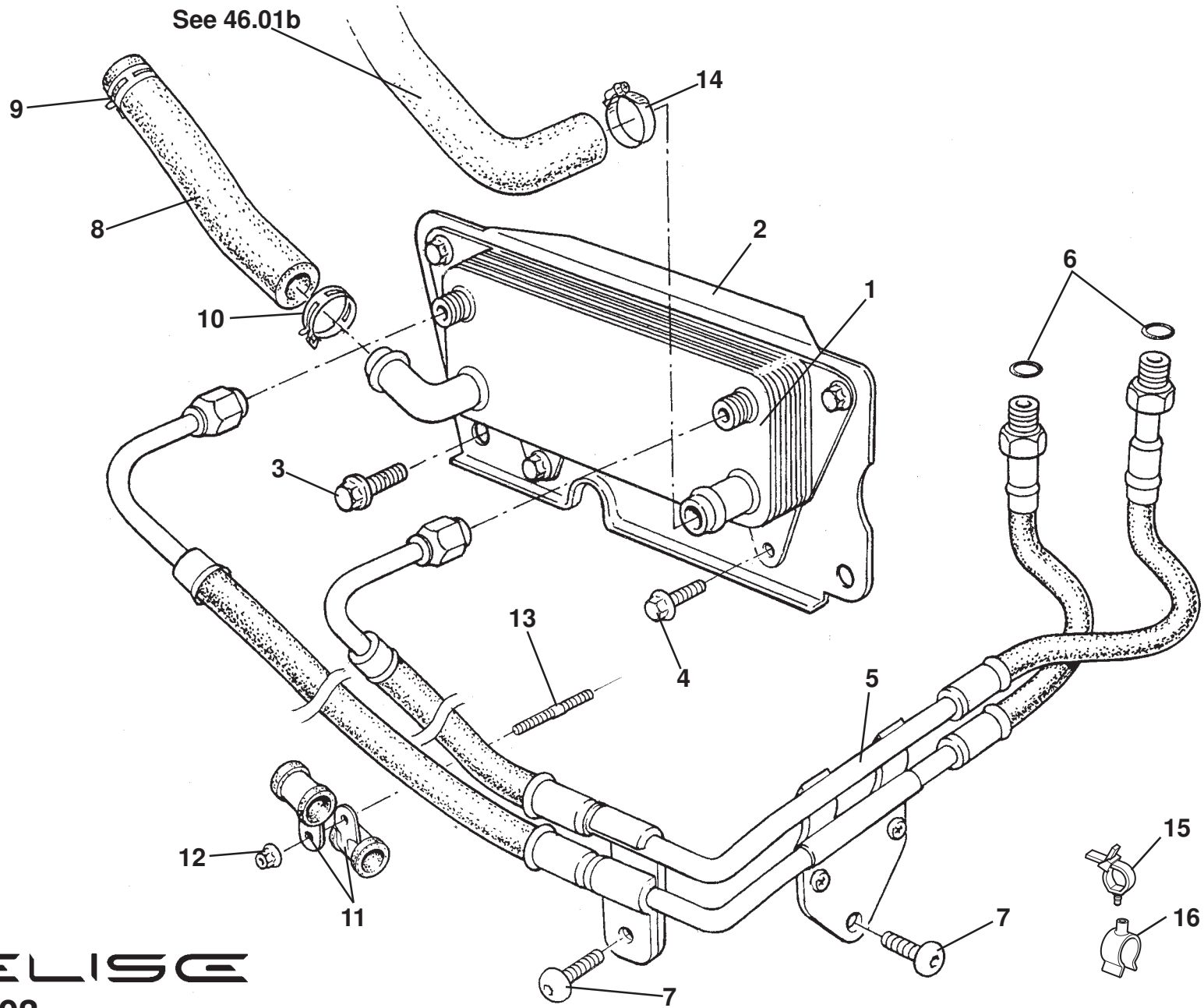
Updated 1st December 2014

Function Code 46.01b Engine Cooling System & Fans, VVC & AC

<u>Dep</u>	<u>Part Description</u>	<u>Remarks</u>	<u>Option</u>	<u>Part Number</u>	<u>Qty</u>
18	Nyloc Nut, M5, fan to condenser		AC cars, 111/111S	A075W3008Z	4
19	Washer, flat, M5 x 18 x 1.4, S/S, fan to condenser		AC cars, 111/111S	B075W4009Z	4
20	Hose, re-circ. pump to engine	A117K0010F R/B	AC cars, 111/111S	C117K0010F	1
21	Hose Clip, hoses to pump spigots	A116K6015F R/B	AC cars, 111/111S	A079K6018F	3
22	Recirculation Pump		AC cars, 111/111S	A117K0013F	1
23	Bracket Assembly, re-circ. pump mounting	Includes rubber insert	AC cars, 111/111S	A117K0009F	1
24	Bolt, M6 x 16, flg. hd., pump clamping		AC cars, 111/111S	A918W5208F	1
25	Bolt, M8 x 25, flg. hd., bracket fixing		AC cars, 111/111S	A116W5238F	2
26	Hose, coolant bypass	VVC cars with oil cooler	AC or heater 111/111S	A117K0018F	1
26a	Hose, coolant bypass	Not illustrated, cut to fit	AC standard car R/BA117K0012K	A111K6005F	1
27	Screw, M6 x 16, hex. hd., bracket to radiator		111/111S heater	A075W1028Z	8
28	Washer, flat, M6 x 12, bracket to radiator		111/111S heater	A075W4013Z	16
29	Nyloc Nut, M6, bracket to radiator		111/111S heater	A075W3009Z	8
30	Valve, de-gas to header tank		Common	A111K6007S	1
31	Hose Clip, valve to bypass hose/re-circ hose to engine		A116K6016F R/B	B907E6085Z	2
32	Screw M6 x 25 hex hd, surround to crash structure			A075W1031Z	2
33	Washer Flat, 3/16 x 3/4 s/s, surround to crash structure			B082W4009F	2
34	Washer Flat, M6 x 18 x 1, surround to crash structure			B082W4018F	2
35	Nyloc Nut, M6, surround to crash structure			A075W3009Z	2

Function Code 46.01b Engine Cooling System & Fans, VVC & AC

<u>Dep</u>	<u>Part Description</u>	<u>Remarks</u>	<u>Option</u>	<u>Part Number</u>	<u>Qty</u>
		Note; for parts common to all models; see 46.01			



ELISE

46.03

Updated 24th January 2013

Service Parts List **ELISE**



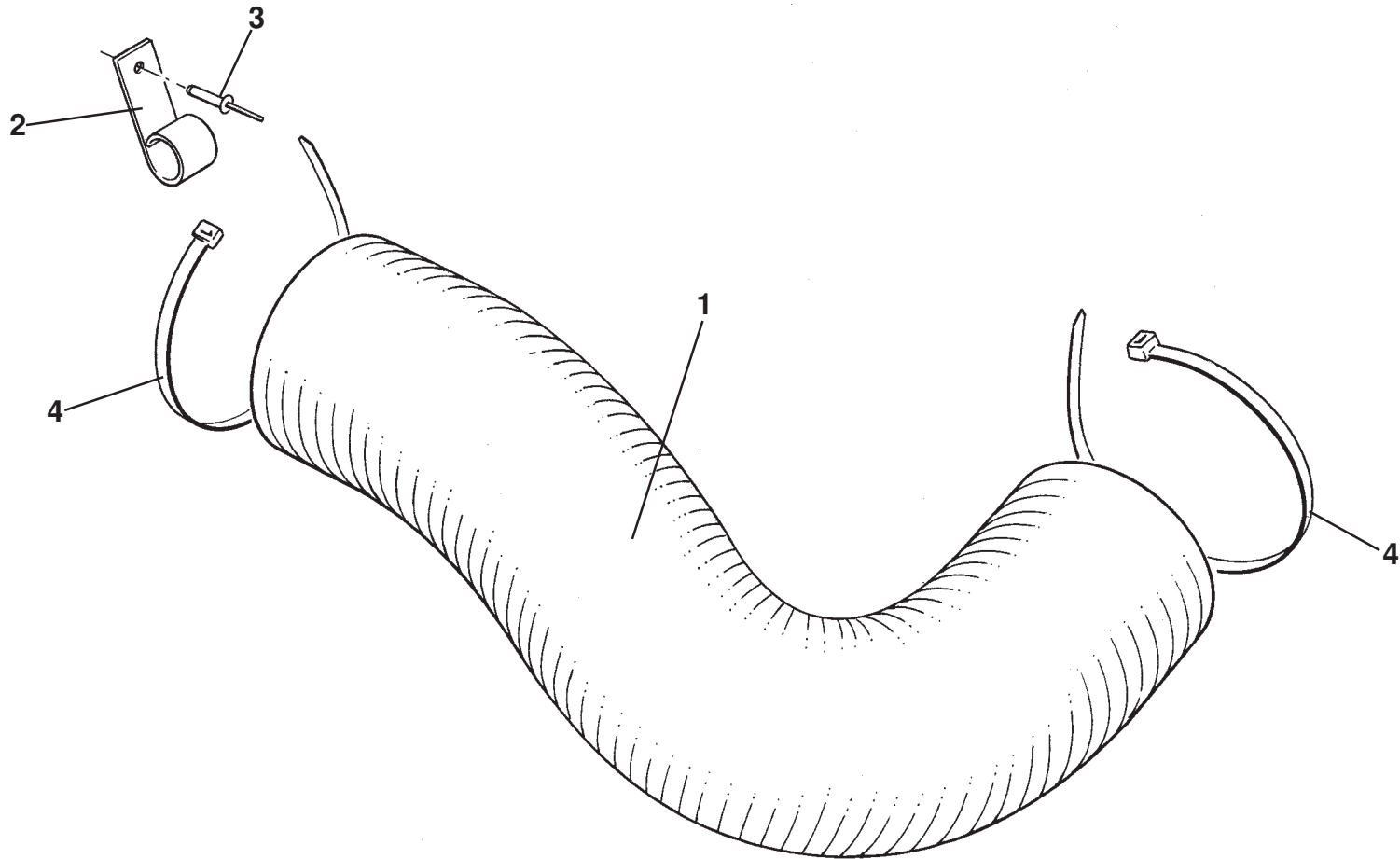
Function Code 46.03 Oil Cooler/Heat Exchanger & Pipes

<u>Dep</u>	<u>Part Description</u>	<u>Remarks</u>	<u>Option</u>	<u>Part Number</u>	<u>Qty</u>
01	Oil Cooler		111/111S	A117K6003S	1
02	Bracket, oil cooler to block		111/111S	A117K6004S	1
03	Screw, M10 x 16, flg. hd., bracket to block		111/111S	A117K6008S	2
04	Screw, M8 x 16, flg. hd., oil cooler to bracket		111/111S	A111E6210S	4
05	Oil Pipe/Hose Assembly, feed & return	Includes 'O' rings	111/111S	A117K6005S	1
06	'O' Ring, pipes to filter housing		111/111S	A117K6007S	2
07	Screw, M12 x 25, pan hd., pipe assy. to block		111/111S	A117K6010S	2
08	Hose Assembly, coolant rail to oil cooler	Includes clips	111/111S	A117K6006S	1
09	Hose Clip, coolant hose to rail		111/111S	A117K6011S	1
10	Hose Clip, coolant hose to cooler		111/111S	A117K6012S	1
11	'P' Clip, oil hose securing		111/111S	A117K6013S	2
12	Flange Nut, M6, 'P' clips to stud		111/111S	A111E6193S	1
13	Stud, M6, clips to engine		111/111S	A117K6014S	1
14	Hose Clip, bypass hose to oil cooler		111/111S	A079K6018F	1
15	Clip Cable Tie, hose to water rail		111/111S	A082W6324F	2
16	Clip, hose to water rail		111/111S	A082W6587F	2

ELISE

Function Code: 46.03, Page: 1

Updated 24th January 2013



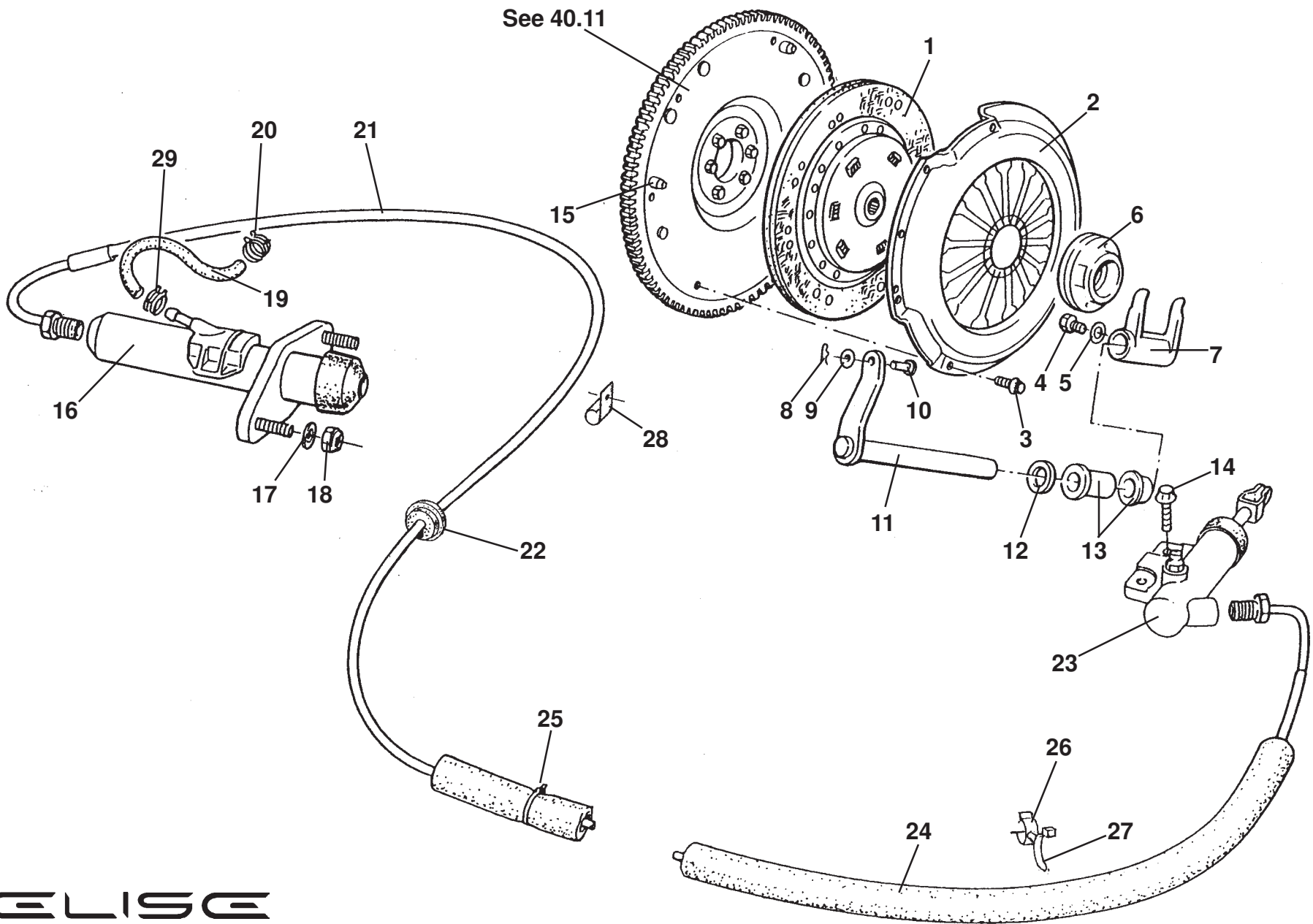
ELISE

46.05

Updated 15th April 2011

Function Code 46.05 Engine Bay Cooling, Ducts & Trunking

<u>Dep</u>	<u>Part Description</u>	<u>Remarks</u>	<u>Option</u>	<u>Part Number</u>	<u>Qty</u>
01	Hose, compressor/alternator cooling		AC cars	A117K0024F	1
02	'P' Clip, hose retaining		AC cars	A075W6228F	1
03	Pop Rivet, 'P' clip to mount		AC cars	A075W6087Z	1
04	Cable Tie, hose retaining		AC cars	B075W6045Z	2



ELISE
47.01

Updated 15th April 2011

Function Code 47.01 Clutch & Release Mechanism

<u>Dep</u>	<u>Part Description</u>	<u>Remarks</u>	<u>Option</u>	<u>Part Number</u>	<u>Qty</u>
01	Clutch Driven Plate			A111Q6005S	1
02	Clutch Cover			A111Q6004S	1
03	Bolt, clutch to flywheel			A111Q6010S	6
04	Bolt, release fork to shaft			A111Q6013S	1
05	Washer, flat			A111Q6014S	1
06	Clutch Release Bearing			A111Q6007S	1
07	Clutch Fork			A111Q6011S	1
08	'R' Clip			A082W6348F	1
09	Washer, spring, fork to shaft			A111Q6014S	1
10	Clevis Pin			TBA	1
11	Lever/Shaft, clutch release fork			A111Q6012S	1
12	Seal, clutch shaft			A111F6031S	1
13	Bush Kit, Clutch shaft			A111F6032S	1
14	Screw, M10 x 22, slave cylinder to mtg. bracket	For mounting bracket, see 40.01a		A111E6140S	2
15	Dowel, clutch to flywheel			A111Q6009S	3
16	Clutch Master Cylinder			A111Q6001F	1
17	Washer, M8 x 16.6, master cylinder to pedal box			A075W4020F	2
18	Nyloc Nut, M8, master cylinder to pedal box			A111W3126F	2
19	Hose, reservoir to clutch master cylinder		A117J0082F R/B	B117J0082F	1
20	Hose Clip, hose to reservoir			A918W6541F	2
21	Pipe Assembly, clutch		A111Q0005S R/B	B111Q0005S	1

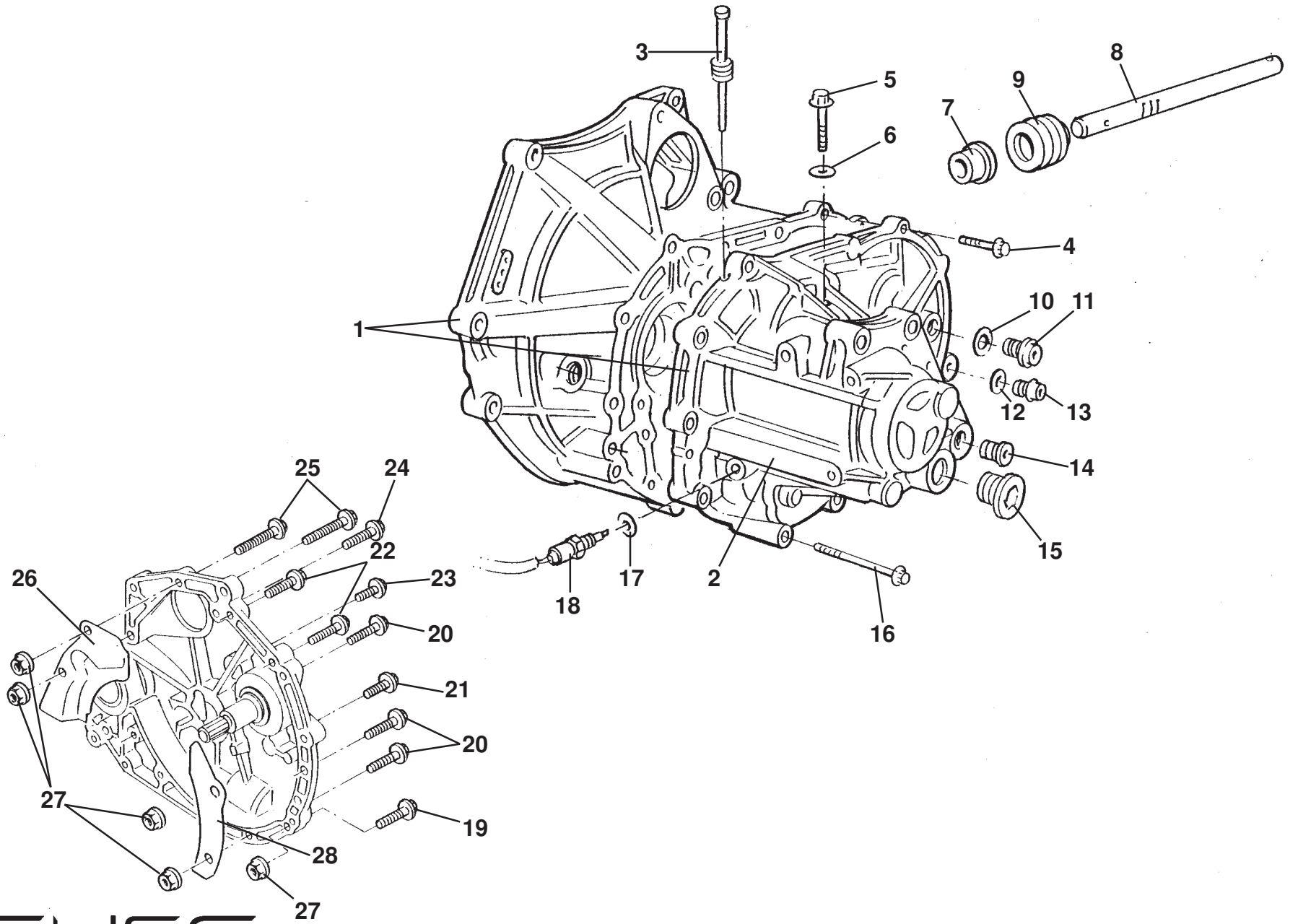
ELISE

Function Code: 47.01, Page: 1

Updated 15th April 2011

Function Code 47.01 Clutch & Release Mechanism

<u>Dep</u>	<u>Part Description</u>	<u>Remarks</u>	<u>Option</u>	<u>Part Number</u>	<u>Qty</u>
22	Grommet, clutch pipe to bulkhead			A075U6043F	1
23	Clutch Slave Cylinder			A111Q6006S	1
24	Tube, anti rattle clutch pipe through body side			A111J0084K	1
25	Cable Tie, tube to clutch pipe			A075W6038Z	4
26	Swivel Clip, cable tie fixing			A082W6587F	1
27	Cable Tie, swivel clip type			A082W6324F	1
28	'P' Clip, pipe fixing		RHD	A075W6228F	1
29	Hose Clip, hose to master cylinder			A079W6189F	1
30	Repair Kit, slave cylinder	Not illustrated		A111Q6008S	1



ELISE

47.03

Updated 15th April 2011

Function Code 47.03 Transmission Assembly

<u>Dep</u>	<u>Part Description</u>	<u>Remarks</u>	<u>Option</u>	<u>Part Number</u>	<u>Qty</u>
01	Transmission Assy., close ratio, 4.2 FD, B4BP		Standard car	A111F0034S	1
01a	Transmission Assy., close ratio, 3.9 FD, VVC, G6BP		111/111S	A117F6002S	1
01b	Transmission Assy. 4.2 FD, C4BP	VIN '05MY 4916 on	Standard car	A117F6007F	1
02	Transmission Main Casing			A111F6037S	1
03	Breather Pipe			A111F6169S	1
04	Bolt, M10 x 42, transmission to clutch housing			A111F6161S	12
05	Bolt, flg. hd., reverse idler shaft fixing			A111F6162S	1
06	Washer, reverse idler shaft fixing			A111F6163S	1
07	Oil Seal, Gearshift Rod			A111F6023S	1
08	Rod, Gearshift			A111F6033S	1
09	Gaiter, gear shift rod			A111F6180S	1
10	Washer, filler/level plug			A111F6166S	1
11	Plug, filler/level			A111F6165S	1
12	Washer, drain plug			A111E6035S	1
13	Drain Plug			A111F6026S	1
14	Sealing Plug, rear of transmission case			A111F6168S	1
15	Plug, access to output shaft bearing circlip, 32 mm			A111F6167S	1
16	Bolt, M10 x 92 , transmission case to clutch housing			A111F6164S	2
17	Sealing Washer, reverse switch			A111E6035S	1
18	Reverse Lamp Switch			A111F6021S	1
19	Bolt, M12 x 80, transmission to engine			A111F6170S	1

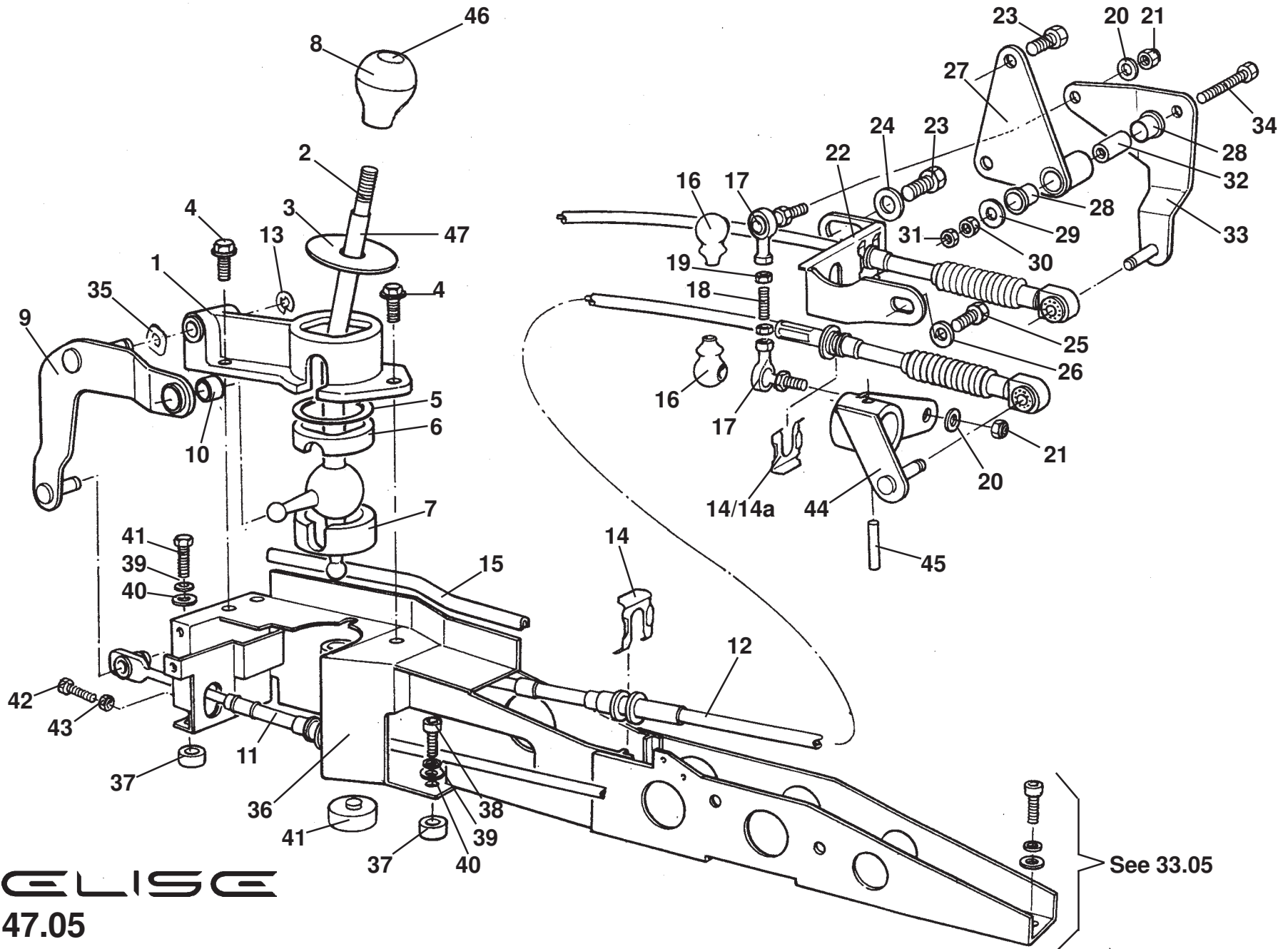
ELISE

Function Code: 47.03, Page: 1

Updated 15th April 2011

Function Code 47.03 Transmission Assembly

<u>Dep</u>	<u>Part Description</u>	<u>Remarks</u>	<u>Option</u>	<u>Part Number</u>	<u>Qty</u>
20	Bolt, M12 x 50, transmission to engine			A111F6171S	3
21	Screw, M10 x 35, transmission to engine			A111F6172S	1
22	Bolt, M12 x 30, transmission to engine			A111F6181S	2
23	Screw, M10 x 30, transmission to engine			A111F6174S	1
24	Bolt, M12 x 65, transmission to engine			A111F6175S	1
25	Bolt, M12 x 90, transmission to engine			A111F6176S	2
26	Closure pate, rear			A111F6177S	1
27	Nut, M12, front/rear closure plates fixing			A111F6178S	5
28	Closure Plate, front			A111F6179S	1
29	Magnet, swarf attraction, transmission case	Not illustrated		A111F6100S	1
30	Dowel, clutch housing to gearbox	Not illustrated		A111F6197S	2
31	Gearbox Oil, Texaco MTF 94	Not illustrated		A111F6017V	2.1lit



ELISE
47.05

Updated 15th April 2011

Function Code 47.05 Gearchange Mechanism, External

<u>Dep</u>	<u>Part Description</u>	<u>Remarks</u>	<u>Option</u>	<u>Part Number</u>	<u>Qty</u>
01	Housing, gear lever pivot			A111F6008F	1
02	Gear Lever	Includes heatshrink, item 48		A111F0013H	1
03	Dust Shield, gear lever			A111F0005K	1
04	Screw, self tap., housing to bracket			A111F6014F	3
05	Gasket/Spacer, neoprene			A111F6010F	1
06	Socket, upper			A111F6009H	1
07	Socket, lower			A111F6011H	1
08	Knob, gear lever, alloy		Standard	A117U0148F	1
08a	Knob, gear lever, alloy/leather		Sports Tourer/Race Tech	A117U0085F	1
08b	Knob. Gear lever, alloy		'04 MY	A117U0388F	1
09	Bellcrank/Pivot Pin Assembly			A111F6006H	1
10	Bush, bellcrank to lever			A111F6005H	1
11	Crossgate Cable, gearchange			A111F0004F	1
11a	Crossgate Cable/Isolator, gearchange		'04 MY	A117F0023F	1
12	Selector Cable, gearchange,			A111F0003F	1
12a	Selector Cable/Isolator, gearchange		'04 MY	A117F0022F	1
13	Circlip, type 'E', pivot retention			A111E6012H	1
14	Retaining Clip, gear change			A111F6018F	4
14a	Retaining Clip, gear change, rear	For cables with isolators	'04 MY	A117F6003F	2
15	Edging Strip, rubber			B075U6054V	0.13m
16	Boot, gear linkage	Part of assy., item18	A082F4149F R/B	A117F0011F	2

ELISE

Function Code: 47.05, Page: 1

Updated 15th April 2011

Function Code 47.05 Gearchange Mechanism, External

<u>Dep</u>	<u>Part Description</u>	<u>Remarks</u>	<u>Option</u>	<u>Part Number</u>	<u>Qty</u>
17	Rod End, gear change	Part of assy., item18	A082F6368F R/B	A117F0011F	2
18	Tie Rod Assembly	Includes rod ends, boots & nuts	B111F0028F R/B	A117F0011F	1
19	Locknut	Part of assy., item18	A082W3085F R/B	A117F0011F	2
20	Washer, flat, M5 x 12 x 1.4			A075W4013Z	2
21	Nyloc Nut, M5			A075W3009Z	2
22	Bracket Abutment, gear linkage			A111F0015F	1
22a	Bracket Abutment, gear linkage	For cables with isolators	'04 MY	A117F0019F	1
23	Screw, M12 x 30, flg. hd., bracket to gearbox	Also replaces washer, item 24	A082W1141F R/B	A117W2205F	2
24	Washer, flat, M12 x 23.5 x 2.3	R/B flg. hd. screw, item 23	A075W4028Z R/B	A117W2205F	1
25	Screw, M10 x 25, hex. hd. bracket to gearbox			A075W1048Z	1
26	Washer, flat, M10 x 20 x 1.8			A075W4024Z	1
27	Pivot Plate Assembly			A111F0023F	1
28	Bush			A111F6015F	2
29	Washer, flat, M8		A079W4019F R/B	A111W3154F	1
30	Nut, M8, flg. hd. clinch	Replaces items 29 & 31	A075W3021Z R/B	A111W3154F	1
31	Nut, M8, hex thin		A075W3026Z R/B	A111W3154F	1
32	Pivot Shaft, gear linkage		A111F0026F R/B	A117F0009F	1
33	Crossgate Selector			A111F0016F	1
34	Bolt, M8 x 40, hex. flg. hd.	Must be used with items 30 & 32	A075W1043Z R/B	A117W5251F	1
35	Washer, wavy, M10 x 15 x 0.16			A111W4167F	1
36	Mounting Bracket, gear selector mechanism			A117F0004F	1

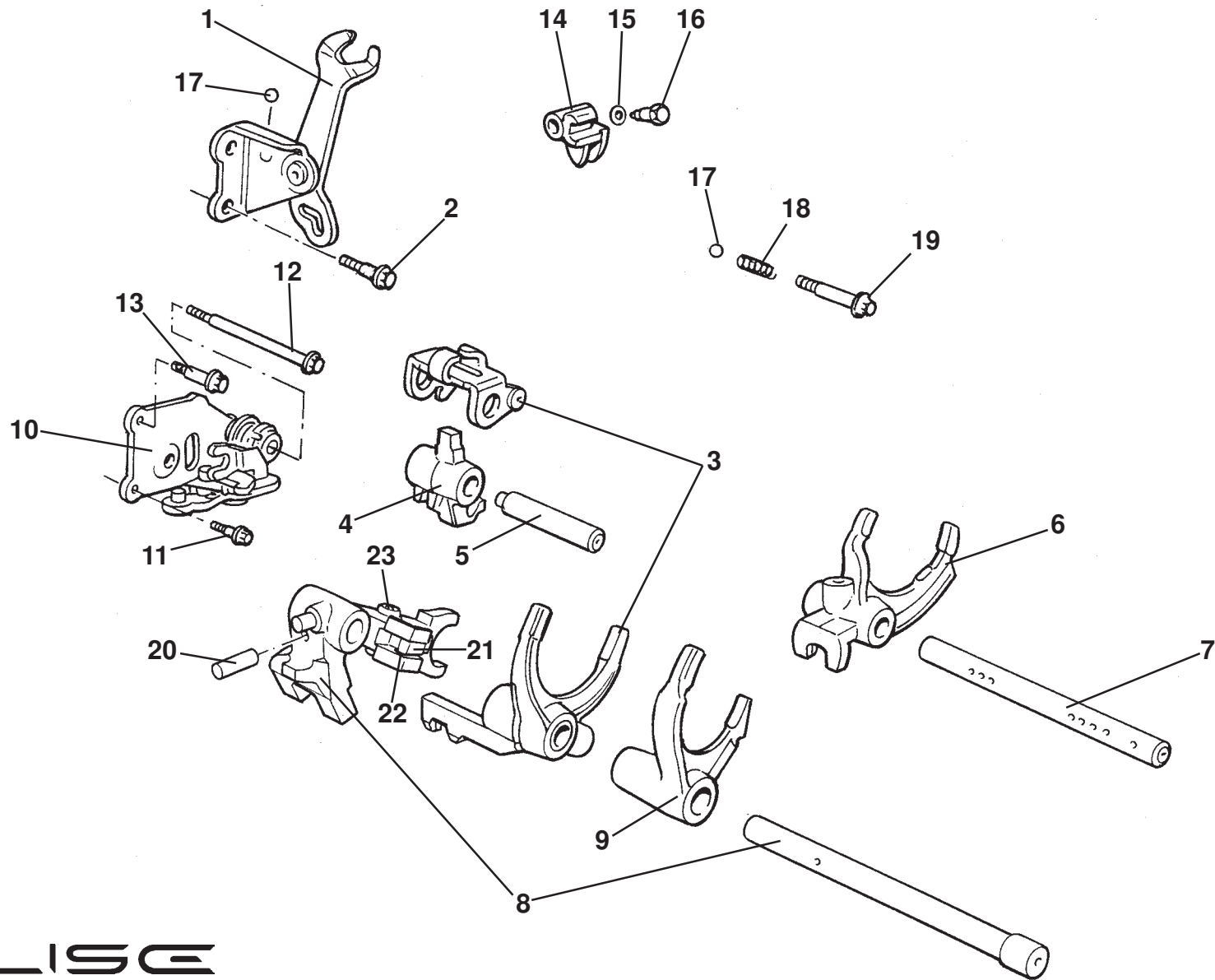
ELISE

Function Code: 47.05, Page: 2

Updated 15th April 2011

Function Code 47.05 Gearchange Mechanism, External

<u>Dep</u>	<u>Part Description</u>	<u>Remarks</u>	<u>Option</u>	<u>Part Number</u>	<u>Qty</u>
37	Spacer, mounting bracket to gear selector			A111F0012F	3
38	Screw, M8 x 30, cap hd., bracket to floor			A089W7052F	1
39	Washer, spring, M8			A075W4036Z	3
40	Washer, flat, M8 x 16.6 x 1.4			A075W1085F	1
41	Spacer, gear selector mounting bracket to step plate			A117F0007F	2
42	Screw, M5 x 16, hex. hd.			A075W1085F	1
43	Nut, M5, crossgate stop			A082W3084F	1
44	Link, gear selector			B111F0019F	1
45	Translator Pin, gearbox			A111F6019F	1
46	Decal, Lotus logo			LOTAC05276	1
47	Heatshrink Tube, gearlever	Part of lever, item 2		A111V6021V	As req.
48	Permabond A130, knob to lever	Not illustrated		A912E7033V	As req.
49	Grease, Molycote 33, lever pivot lubrication	Not illustrated		A111F6016V	As req.



ELISE
47.06

Updated 15th April 2011

Function Code 47.06 Gear Selector Mechanism, Internal

<u>Dep</u>	<u>Part Description</u>	<u>Remarks</u>	<u>Option</u>	<u>Part Number</u>	<u>Qty</u>
01	Reverse Selector Fork			A111F6143S	1
02	Bolt, M6 x 22.5 , selector fix.			A111F6144S	2
03	Kit: Interlock Guide/Selector Fork, 3rd/4th gears			A111F6156S	1
04	Selector Actuator			A111F6146S	1
05	Selector Shaft			A111F6147S	1
06	Selector Fork, 1st/2nd gears			A111F6148S	1
07	Selector Shaft, 1st/2nd gears			A111F6149S	1
08	Selector Shaft Assembly, 5th/ reverse gears			B111F6150S	1
09	Selector Fork, 5th gear			A111F6151S	1
10	Translator Assembly			A111F6202S	1
11	Bolt, M6 x 22.5, flg. hd., translator fix.			A111F6144S	2
12	Bolt, special, M8, flg. hd., translator fix.			A111F6204S	1
13	Bolt, M6 x 18, flg. hd., translator fix.			A111F6203S	1
14	Selector Shaft Guide			A111F6198S	1
15	Dowel Bolt, M8 x 24, flg. hd.			A111F6199S	1
16	Washer, spring, M6			A111F6014S	1
17	Steel Ball, detent			A111F6201S	2
18	Spring, detent			A111F6206S	1
19	Cap Bolt, spring retention			A111F6205S	1
20	Roll Pin, selector to shaft			A111F6209S	1
21	Shuttle, reverse gear brake			A111F6210S	1

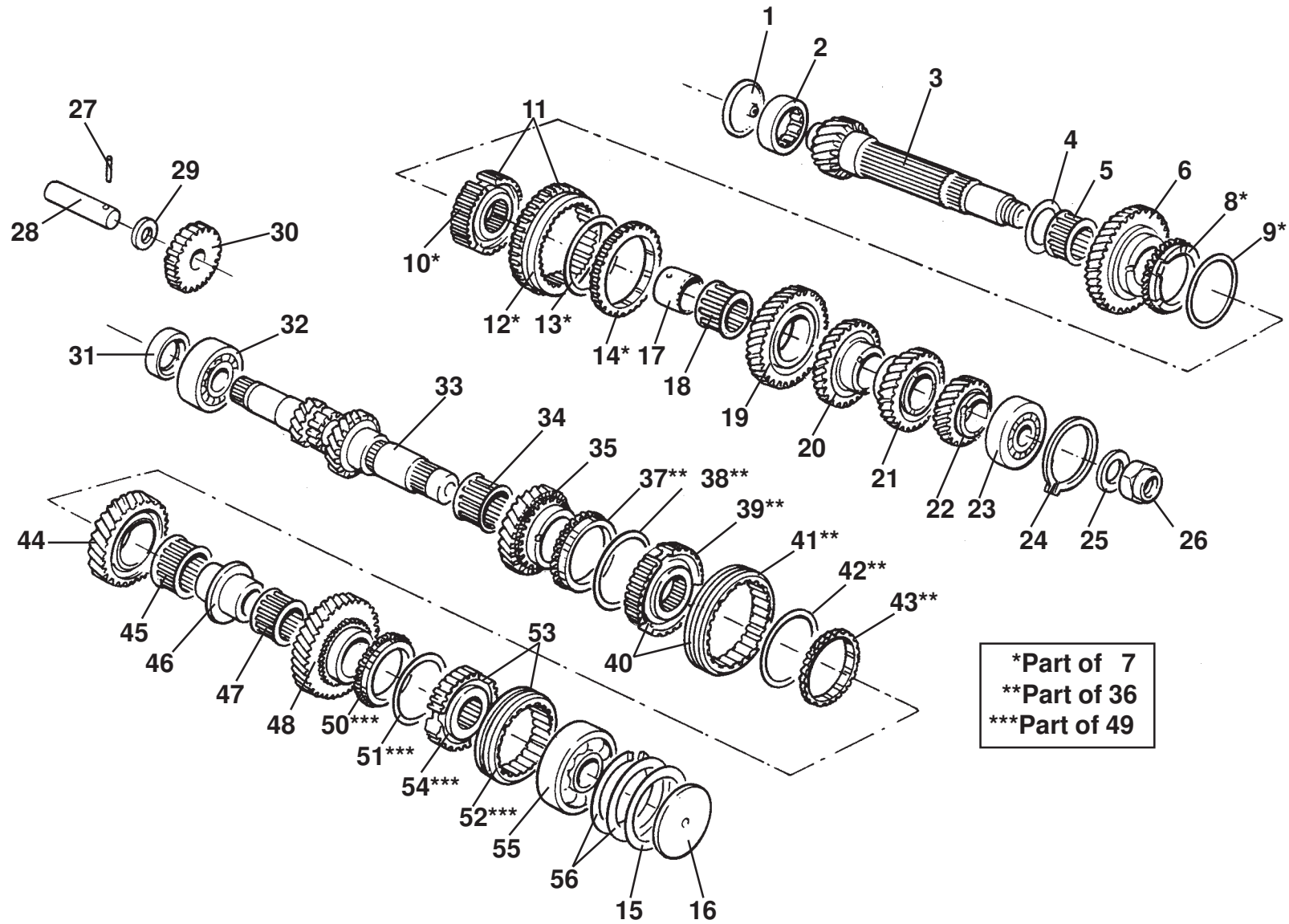
ELISE

Function Code: 47.06, Page: 1

Updated 15th April 2011

Function Code 47.06 Gear Selector Mechanism, Internal

<u>Dep</u>	<u>Part Description</u>	<u>Remarks</u>	<u>Option</u>	<u>Part Number</u>	<u>Qty</u>
22	Spring, shuttle to selector			A111F6211S	1
23	Screw, special, M3 x 8, spring to selector			A111F6212S	2



*Part of 7
 **Part of 36
 ***Part of 49

ELISE
 47.07

Updated 15th April 2011

Function Code 47.07 Gears, Shafts & Bearings

<u>Dep</u>	<u>Part Description</u>	<u>Remarks</u>	<u>Option</u>	<u>Part Number</u>	<u>Qty</u>
01	Oil Guide Plate, input shaft			A111F6065S	1
02	Caged Roller Bearing, output shaft			A111F6066S	1
03	Output Shaft, 15 teeth (4.2 FD ratio)			A111F6189S	1
03a	Output Shaft, VVC, 16 teeth (3.9 FD ratio)		111/111S	A111F6067S	1
04	Selective Thrust Washer, 1.96 mm	1st gear end float adjustment		A111F6068S	As req.
04a	Selective Thrust Washer, 1.99 mm	1st gear end float adjustment		A111F6069S	As req.
04b	Selective Thrust Washer, 2.02 mm	1st gear end float adjustment		A111F6070S	As req.
04c	Selective Thrust Washer, 2.05mm	1st gear end float adjustment		A111F6071S	As req.
04d	Selective Thrust Washer, 2.08mm	1st gear end float adjustment		A111F6072S	As req.
05	Needle Roller Bearing, 1st gear			A111F6073S	1
06	1st Gear, 38 teeth			A111F6190S	1
06a	1st Gear, 39 teeth, VVC		111/111S	A117F6004S	1
07	Synchroniser Assembly, 1st/2nd gear	Includes items: 8/9/10/12/13/14		A111F6075S	1
08	Synchro Ring, 1st gear	Part of item: 7		A111F6076S	1
09	Synchro Spring, 1st gear	Part of item: 7		A111F6077S	1
10	Synchro Hub, 1st/2nd gear	Part of item: 7 & 11		A111F6078S	1
11	Synchro Hub/Sleeve Assembly	Assy. of items: 10 & 12		A111F6109S	1
12	Synchro Sleeve, 1st/2nd gear	Part of item: 7 & 11		A111F6079S	1
13	Synchro Spring, 2nd gear	Part of item: 7		A111F6080S	1
14	Synchro Ring, 2nd gear	Part of item: 7		A111F6081S	1
15	Thrust Washer, input shaft end			A111F6139S	1

ELISE

Function Code: 47.07, Page: 1

Updated 15th April 2011

Function Code 47.07 Gears, Shafts & Bearings

<u>Dep</u>	<u>Part Description</u>	<u>Remarks</u>	<u>Option</u>	<u>Part Number</u>	<u>Qty</u>
16	Oil Guide Plate			A111F6140S	1
17	Selective Collar, 2nd gear end float adjustment			A111F6082F	As req.
17a	Selective Collar, 2nd gear end float adjustment			A111F6083S	As req.
17b	Selective Collar, 2nd gear end float adjustment			A111F6084S	As req.
17c	Selective Collar, 2nd gear end float adjustment			A111F6085S	As req.
18	Needle Roller Bearing, 2nd gear			A111F6086S	1
19	2nd Gear, 35 teeth			A111F6191S	1
19a	2nd Gear, 36 teeth, VVC		111/111S	A117F6005S	1
20	3rd Gear, 34 teeth			A111F6088S	1
21	4th Gear, 31 teeth			A111F6089S	1
22	5th Gear, 28 teeth			A111F6188S	1
23	Ball Bearing, output shaft			A111F6091S	1
24	Circlip, 60 mm			A111F6095S	1
25	Washer, tongued belleville, M23			A111F6093S	1
26	Lock Nut, M23 , LH thread, output shaft			A111F6094S	1
27	Roll Pin, reverse idler shaft locking.			A111F6097S	1
28	Reverse Idler Shaft			A111F6096S	1
29	Thrust Washer, reverse idler gear			A111F6098S	1
30	Reverse Idler Gear			A111F6099S	1
31	Oil seal, input Shaft			A111F6024S	1
32	Ball bearing, input shaft			A111F6101S	1

ELISE

Function Code: 47.07, Page: 2

Updated 15th April 2011

Function Code 47.07 Gears, Shafts & Bearings

<u>Dep</u>	<u>Part Description</u>	<u>Remarks</u>	<u>Option</u>	<u>Part Number</u>	<u>Qty</u>
33	Input Shaft, 20/13/13 teeth		A111F6193S R/B	A111F6208S	1
33a	Input Shaft, 19/13/12 teeth, VVC		111/111S	A117F6006S	1
34	Needle Roller Bearing, 3rd Gear			A111F6104S	1
35	3rd Gear			A111F6103S	1
36	Synchroniser Assembly, 3rd/4th gear	Includes items: 37/38/39/41/42/43		A111F6105S	1
37	Synchro Ring, 3rd Gear	Part of item: 36		A111F6106S	1
38	Synchro Spring, 3rd Gear	Part of item: 36		A111F6107S	1
39	Synchro Hub, 3rd/4th Gear	Part of item: 36 & 40		A111F6110S	1
40	Synchro Hub/Sleeve assembly, 3rd/4th gear	Assy. of items: 39 & 41		A111F6108S	1
41	Synchro Sleeve, 3rd/4th Gears	Part of item: 36 & 40		A111F6111S	1
42	Synchro Spring, 4th Gear	Part of item: 36		A111F6112S	1
43	Synchro Ring, 4th Gear	Part of item: 36		A111F6113S	1
44	4th Gear			A111F6114S	1
45	Needle Roller Bearing, 4th Gear			A111F6104S	1
46	Distance Collar, 4th/5th gear			A111F6115S	As req.
47	Needle Roller Bearing, 5th Gear			A111F6104S	1
48	5th Gear, 33 teeth			A111F6187S	1
49	Synchroniser Assembly, 5th Gear	Includes items: 50/51/52/53/55		A111F6118S	1
50	Synchro Ring, 5th Gear	Part of item: 49		A111F6119S	1
51	Synchro Spring, 5th Gear	Part of item: 49		A111F6120S	1
52	Synchro Sleeve, 5th Gear	Part of item: 49 & 54		A111F6123S	1

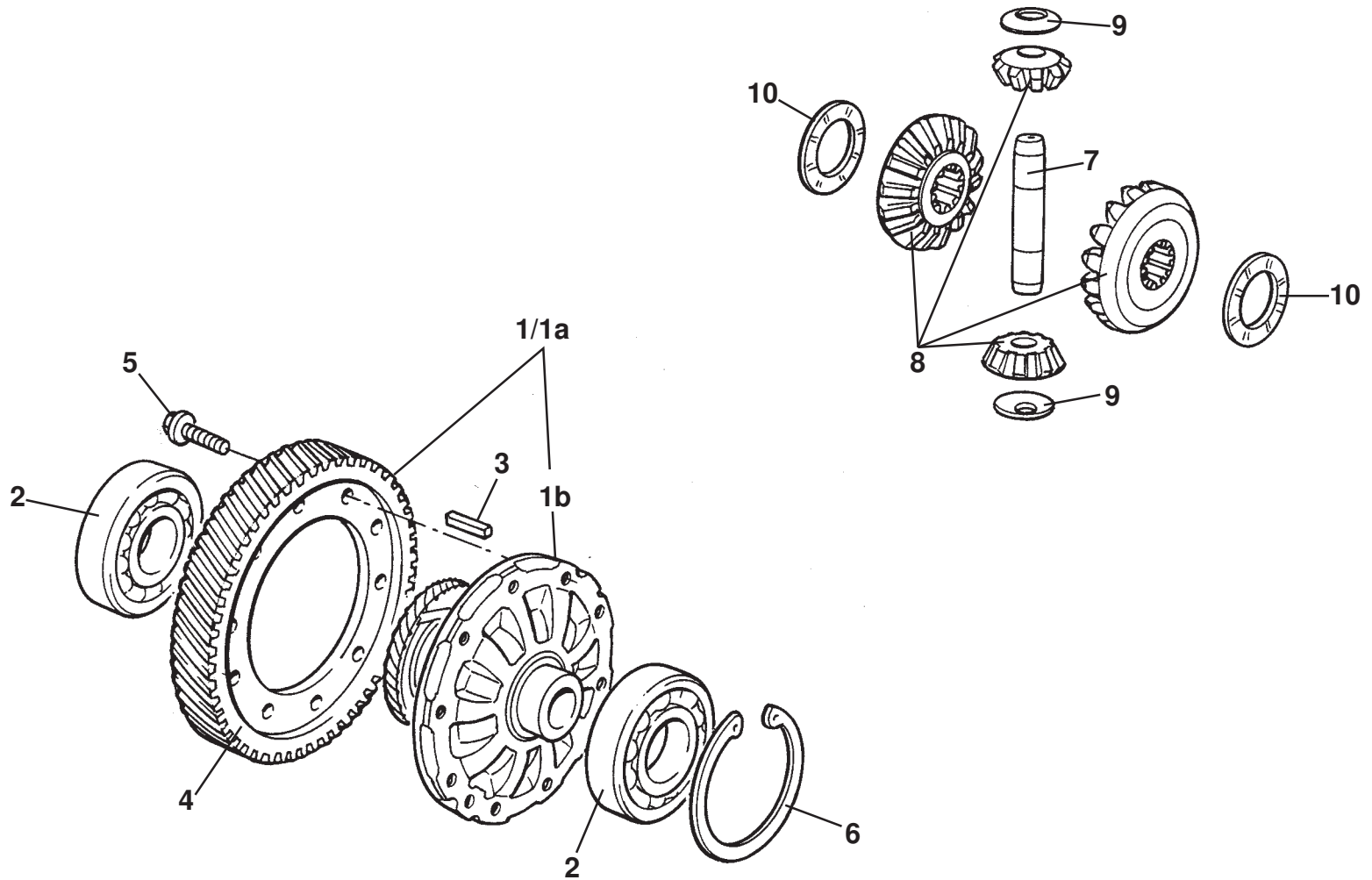
ELISE

Function Code: 47.07, Page: 3

Updated 15th April 2011

Function Code 47.07 Gears, Shafts & Bearings

<u>Dep</u>	<u>Part Description</u>	<u>Remarks</u>	<u>Option</u>	<u>Part Number</u>	<u>Qty</u>
53	Synchro Hub/Sleeve assembly, 5th Gear	Assy. of items: 52 & 54		A111F6121S	1
54	Synchro Hub, 5th Gear	Part of item: 49 & 53		A111F6122S	1
55	Ball Bearing, input shaft			A111F6124S	1
56	Selective Snap Rings, input shaft, 0.50 mm			A111F6125S	As req.
56a	Selective Snap Rings, input shaft, 0.55 mm			A111F6126S	As req.
56b	Selective Snap Rings, input shaft, 0.60 mm			A111F6127S	As req.
56c	Selective Snap Rings, input shaft, 0.65 mm			A111F6128S	As req.
56d	Selective Snap Rings, input shaft, 0.70 mm			A111F6129S	As req.
56e	Selective Snap Rings, input shaft, 0.75 mm			A111F6130S	As req.
56f	Selective Snap Rings, input shaft, 0.80 mm			A111F6131S	As req.
56g	Selective Snap Rings, input shaft, 0.85 mm			A111F6132S	As req.
56h	Selective Snap Rings, input shaft, 0.90 mm			A111F6133S	As req.
56i	Selective Snap Rings, input shaft, 0.95 mm			A111F6134S	As req.
56j	Selective Snap Rings, input shaft, 1.00 mm			A111F6135S	As req.
56k	Selective Snap Rings, input shaft, 1.05 mm			A111F6136S	As req.
56L	Selective Snap Rings, input shaft, 1.10 mm			A111F6137S	As req.
56m	Selective Snap Rings, input shaft, 1.15 mm			A111F6138S	As req.



ELISE

47.11

Updated 1st May 2014

Service Parts List **ELISE**



Function Code 47.11 Final Drive & Bearings

<u>Dep</u>	<u>Part Description</u>	<u>Remarks</u>	<u>Option</u>	<u>Part Number</u>	<u>Qty</u>
01	Differential Assembly, without ring gear			A111F6040S	1
02	Ball Bearing, differential			A111F6043S	2
03	Roll Pin, differential pinion shaft			A111F6044S	1
04	Final Drive Gear, 63 teeth, 4.2 ratio		Standard car	A111F6196S	1
04a	Final Drive Gear, 63 teeth, 3.9 ratio		111/111S	A111F6045S	1
05	Bolt, final drive gear to differential casing			A111F6046S	10
06	Selective Circlip, 2.5 mm			A111F6047S	1
06a	Selective Circlip, 2.6 mm			A111F6048S	1
06b	Selective Circlip, 2.7 mm			A111F6049S	1
06c	Selective Circlip, 2.8 mm			A111F6050S	1
06d	Selective Circlip, 2.9 mm			A111F6051S	1
06e	Selective Circlip, 3.0 mm			A111F6052S	1
07	Pinion Shaft			A111F6053S	1
08	Sun/Planet Gear, matched set			A111F6055S	1
09	Thrust Washer, planet gear, 0.70 mm			A111F6056S	1
09a	Thrust Washer, planet gear, 0.75 mm			A111F6057S	1
09b	Thrust Washer, planet gear, 0.80 mm			A111F6058S	1
09c	Thrust Washer, planet gear, 0.85 mm			A111F6059S	1

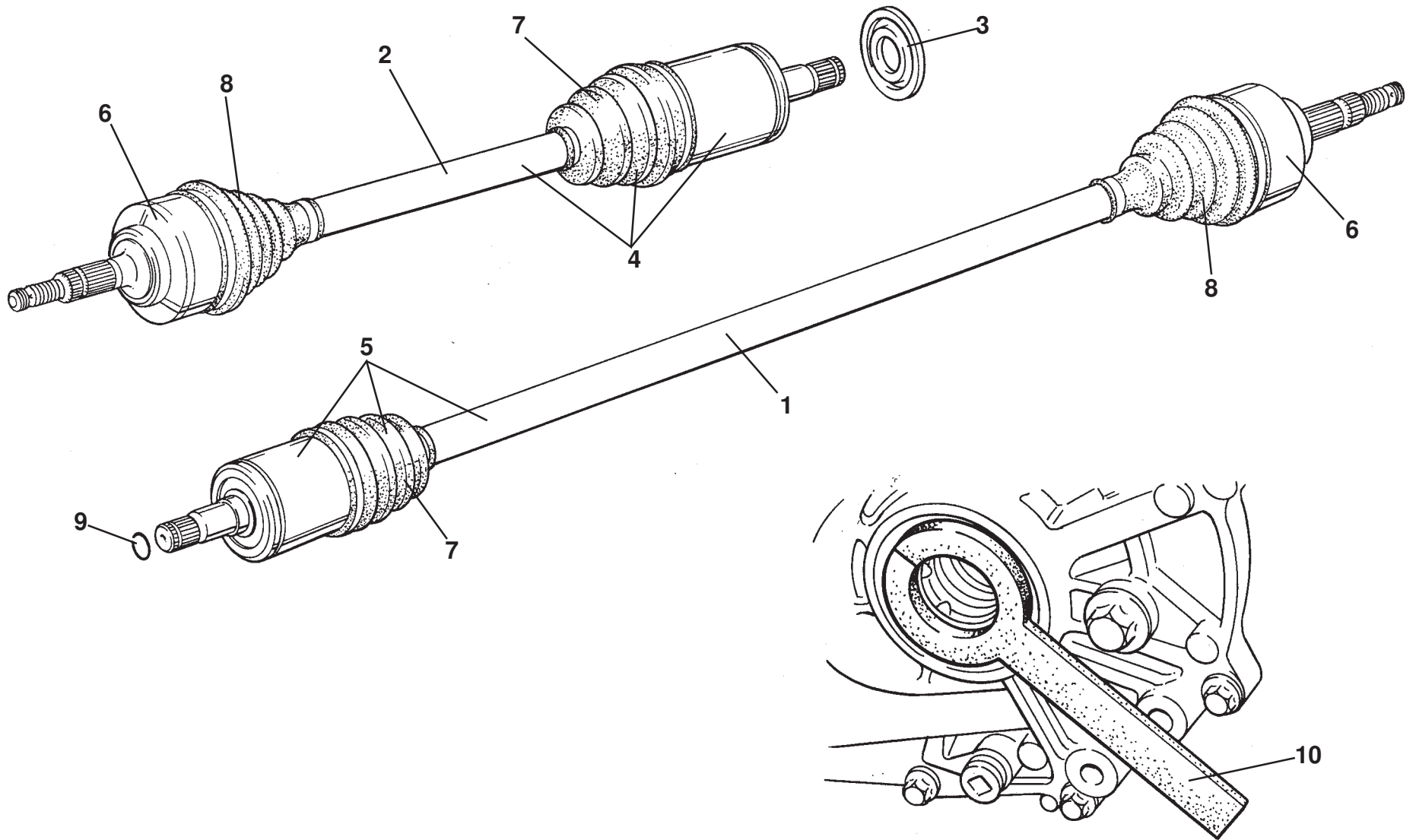
ELISE

Function Code: 47.11, Page: 1

Updated 2nd February 2015

Function Code 47.11 Final Drive & Bearings

<u>Dep</u>	<u>Part Description</u>	<u>Remarks</u>	<u>Option</u>	<u>Part Number</u>	<u>Qty</u>
09d	Thrust Washer, planet gear, 0.90 mm			A111F6060S	1
09e	Thrust Washer, planet gear, 0.95 mm			A111F6061S	1
09f	Thrust Washer, planet gear, 1.00 mm			A111F6062S	1
09g	Thrust Washer, planet gear, 1.05 mm			A111F6063S	1
10	Thrust Washer, sun gear			A111F6064S	2



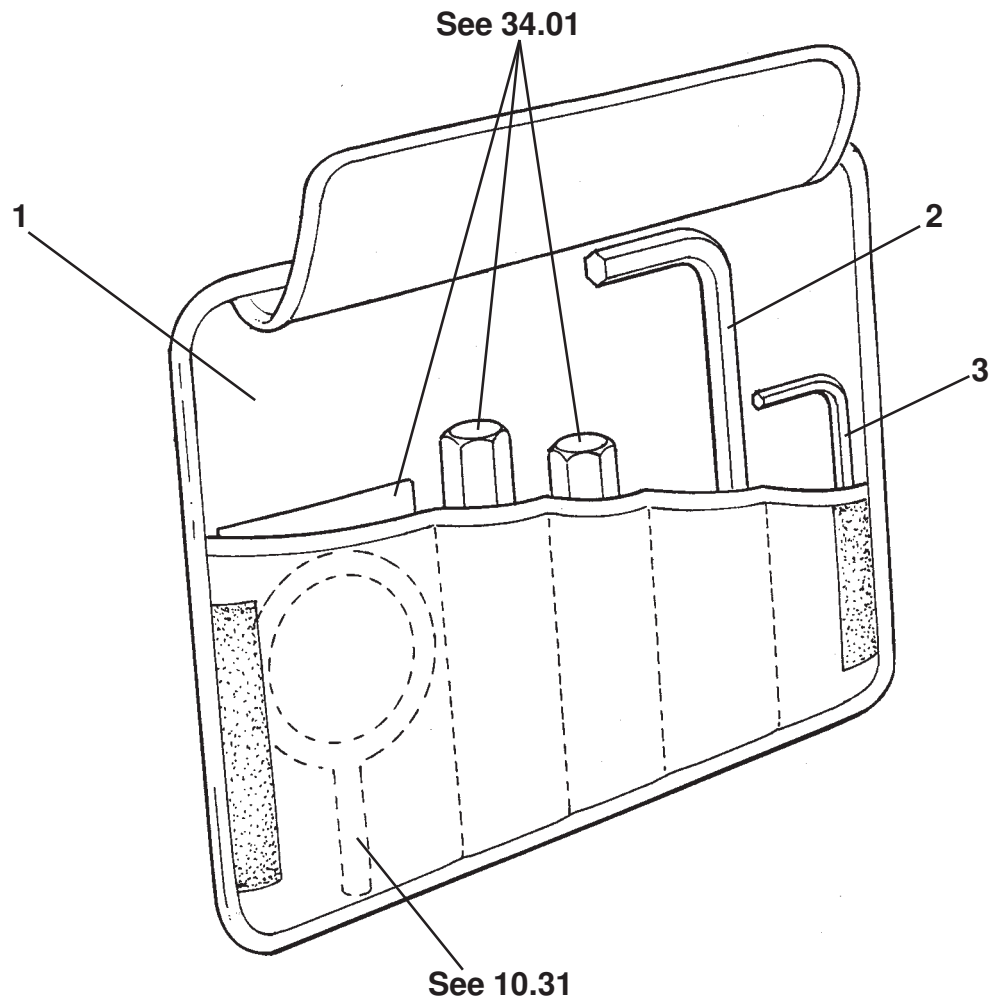
ELISE
47.15

Updated 15th April 2011

Function Code 47.15 Driveshafts & Seals

<u>Dep</u>	<u>Part Description</u>	<u>Remarks</u>	<u>Option</u>	<u>Part Number</u>	<u>Qty</u>
01	Drive Shaft, RH			A117D0012F	1
02	Drive Shaft, LH			A117D0013F	1
03	Oil Seal, drive shaft, LH			A111F6029S	1
03a	Oil Seal, drive shaft, RH			A111F6030S	1
04	CV Joint/Shaft Assembly, inboard, LH	Includes gaiter & clips		A117D0019S	1
05	CV Joint/Shaft Assembly, inboard, RH	Includes gaiter & clips		A117D0020S	1
06	CV Joint, outboard	Includes gaiter & clips		A117D6004S	2
07	Gaiter Kit, inboard CV joint	Including clips and grease		A111D6011S	2
08	Gaiter Kit, outboard CV joint	Including clips and grease		A117D6009S	2
09	Circlip. driveshaft retention in transmission			A100R6001F	2
10	Special Tool, seal protector	Used to insert driveshaft*		T000T1390F	1

*See Service Notes, Section F

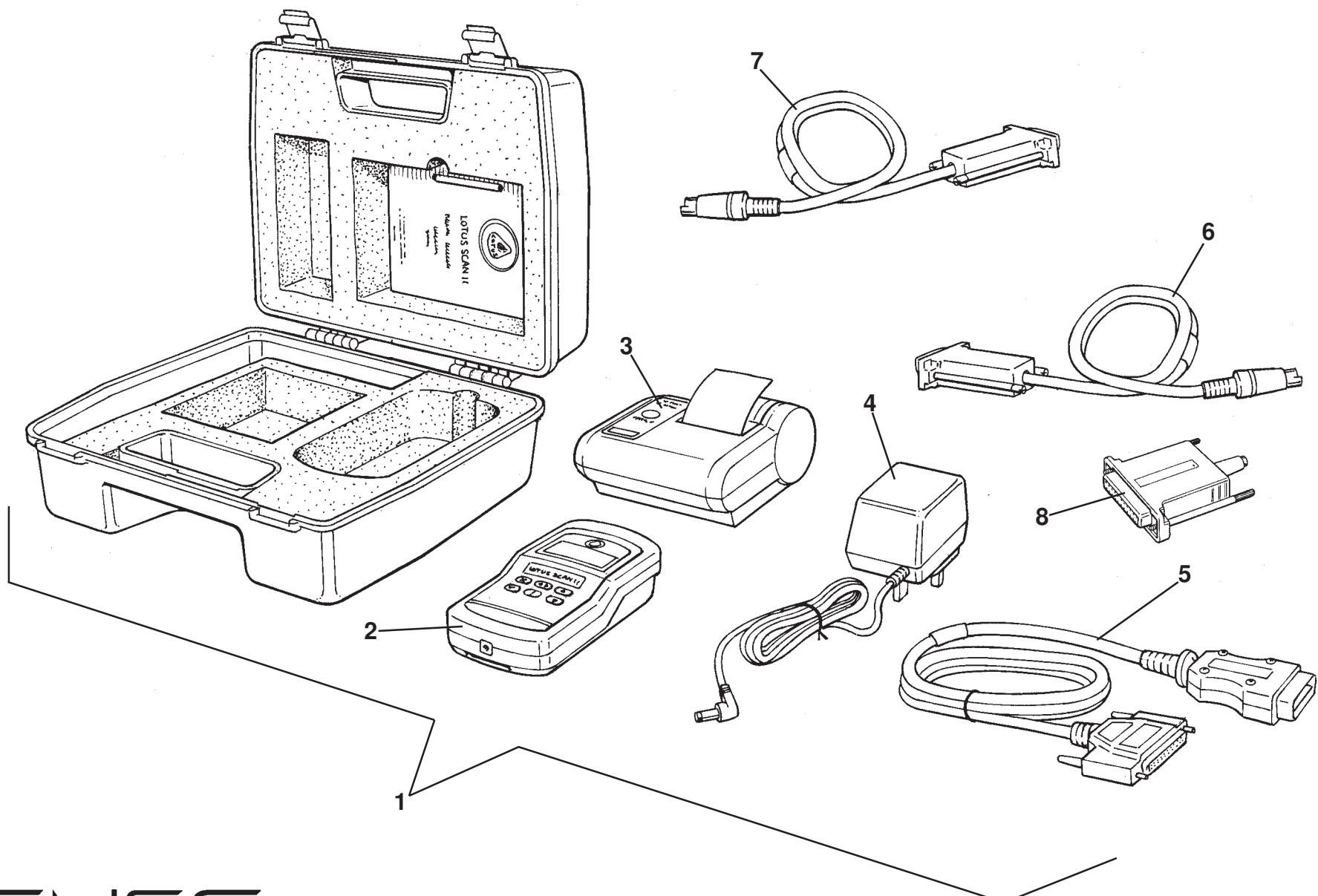


ELISE
60.01

Updated 15th April 2011

Function Code 60.01 Tool Kit

<u>Dep</u>	<u>Part Description</u>	<u>Remarks</u>	<u>Option</u>	<u>Part Number</u>	<u>Qty</u>
01	Tool Kit	Includes items: 2,3, towing eye & wheel bolt adaptor		A117T0009S	1
02	Allen Key, M5 x 160			A117T6001H	1
03	Allen Key, M3 x 63			A117T6002H	1



ELISE
60.01a

Updated 15th April 2011

Service Parts List **ELISE**



Function Code 60.01a Diagnostic Equipment

<u>Dep</u>	<u>Part Description</u>	<u>Remarks</u>	<u>Option</u>	<u>Part Number</u>	<u>Qty</u>
01	Lotus Scan III Kit			T000T1467F	1
02	Lotus Scan III, scanner tool			T000T1426F	1
03	Printer			T000T1419F	1
04	Transformer, printer or scanner power supply	Adaptor lead R/B item 8		T000T1427F	1
05	Lead, scanner to ALDL connector, black			T000T1428F	1
05a	Lead, scanner to ALDL connector, blue		111R also	T000T1457F	1
06	Lead, scanner to printer			T000T1429F	1
07	Lead, scanner to PC			T000T1430F	1
08	Adaptor, transformer to scanner			T000T1436F	1
09	Plug Adaptor, Euro, transformer	Not illustrated, UK to European plug		T000T1421F	1

**SPECIAL TOOLS
NOT ILLUSTRATED**

See Engine Section of Service Notes

ELISE
60.02

Updated 15th April 2011

Function Code 60.02 Special Tools

<u>Dep</u>	<u>Part Description</u>	<u>Remarks</u>	<u>Option</u>	<u>Part Number</u>	<u>Qty</u>
01	Flywheel Locking Tool	Transmission fitted		T000T1289F	1
02	Flywheel Locking Tool	Transmission removed		T000T1367F	1
03	Camshaft Locking Tool			T000T1282F	1
04	Crankshaft Rear Oil Seal Replacer			T000T1284F	1
05	Valve Stem Oil Seal Remover/Replacer			T000T1285F	1
07	Sump Alignment pins			T000T1290F	2
08	Torx E12 Cylinder Head Bolt Socket			T000T1366F	1
09	Crankshaft/Camshaft Front Oil Seal Replacer			T000T1266F	1
10	Camshaft Holding/Turning Tool			T000T1280F	1
11	Engine Lifting Brackets			T000T1283F	1
12	VVC Clamp Mechanism		111/111S	T000T1408F	2
13	VVC Timing Plate, front		111/111S	T000T1406F	1
14	VVC Timing Plate, rear		111/111S	T000T1407F	1
15	Driveshaft Removal Wedge	RH only		T000T1276F	1
16	Cylinder Liner Clamps			T000T1288F	1
17	Adaptor Plate, bearing puller			T000T1291F	1
18	Replacer Dolly, input shaft oil seal			T000T1293F	1
19	Slide Hammer, output shaft bearing remover			T000T1294F	1
20	Adaptor, output shaft bearing remover			T000T1295F	1
21	Driver Handle, bearing dolly			T000T1296F	1
22	Replacer Dolly, output shaft bearing			T000T1297F	1

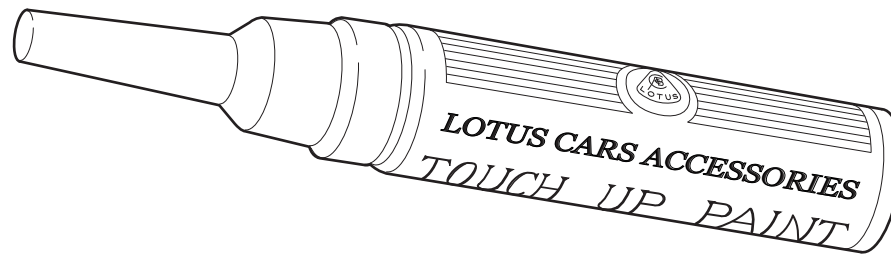
ELISE

Function Code: 60.02, Page: 1

Updated 15th April 2011

Function Code 60.02 Special Tools

<u>Dep</u>	<u>Part Description</u>	<u>Remarks</u>	<u>Option</u>	<u>Part Number</u>	<u>Qty</u>
23	Circlip Pliers, bearing access plug			T000T1298F	1
24	Thrust Pad, bearing puller			T000T1299F	1
25	Hex. Socket, M14, access plug			T000T1300F	1
26	Anti-Spread Plate, input/output shafts			T000T1301F	1
27	Replacer Dolly, differential bearings			T000T1302F	1
28	Replacer, clutch release shaft inner bush			T000T1303F	1
29	Replacer, clutch release shaft outer bush			T000T1304F	1
30	Clutch Alignment Mandrel			T000T1277F	1
31	Blanking Plug, driveshaft output			T000T1385F	1
32	Replacer Dolly, output seal, RH & 'A' type LH			T000T1388F	1
33	Replacer Dolly, output seal, 'B' type LH			T000T1389F	1
34	Seal Protector, output shaft seals	Also see 47.15		T000T1390F	1
35	Piston Retraction Tool, rear brake caliper	Also see 33.01		T000T1242F	1
36	Jig Block Kit, retro-fit hard top	For welding new latch plate brackets to roll-over bar	Long soft top cars	T000T1433F	1
37	Alternator Pulley Tool			T000T1287F	1



ELISE

80.20a

Updated 15th April 2011

Function Code 80.20a Touch-in Paint Pencil Range

<u>Dep</u>	<u>Part Description</u>	<u>Remarks</u>	<u>Option</u>	<u>Part Number</u>	<u>Qty</u>
02	B02, Black			A082B6295F	1
03	B03, Calypso Red			D075B6264F	1
23	B23, Ruby Red Metallic			A082B6306F	1
71	B71, Old English White		'Type 23'/'Type 49'	A082B6404F	1
83	B83, Lightning Yellow Pearlescent			A082B6384F	1
84	B84, Lava Orange Pearlescent			A082B6385F	1
85	B85, Laser Blue Metallic			A082B6386F	1
86	B86, Racing Green Metallic		'Type 23'/'Type 25'	A082B6388F	1
87	B87, Ice Blue Metallic			A082B6389F	1
88	B88, Gunmetal Metallic			A082B6390F	1
89	B89, Quartz Metallic			A082B6391F	1
90	B90, Cobalt Blue Metallic			A082B6392F	1
91	B91, Aqua Metallic			A082B6393F	1
92	B92, Silver Metallic			A082B6396F	1
93	B93, Starlight Black Metallic			A082B6402F	1
94	B94, Ardent Red		'Type 49'	A082B6400F	1
95	B95, Bordeaux Red			A082B6405F	1
96	B96, Teal Blue Mono			A082B6406F	1
97	B97, Atlantic Blue Metallic			A082B6407F	1
98	B98, Storm Titanium			A082B6408F	1
99	B99, Aztec Bronze			A082B6409F	1

ELISE

Function Code: 80.20a, Page: 1

Updated 15th April 2011

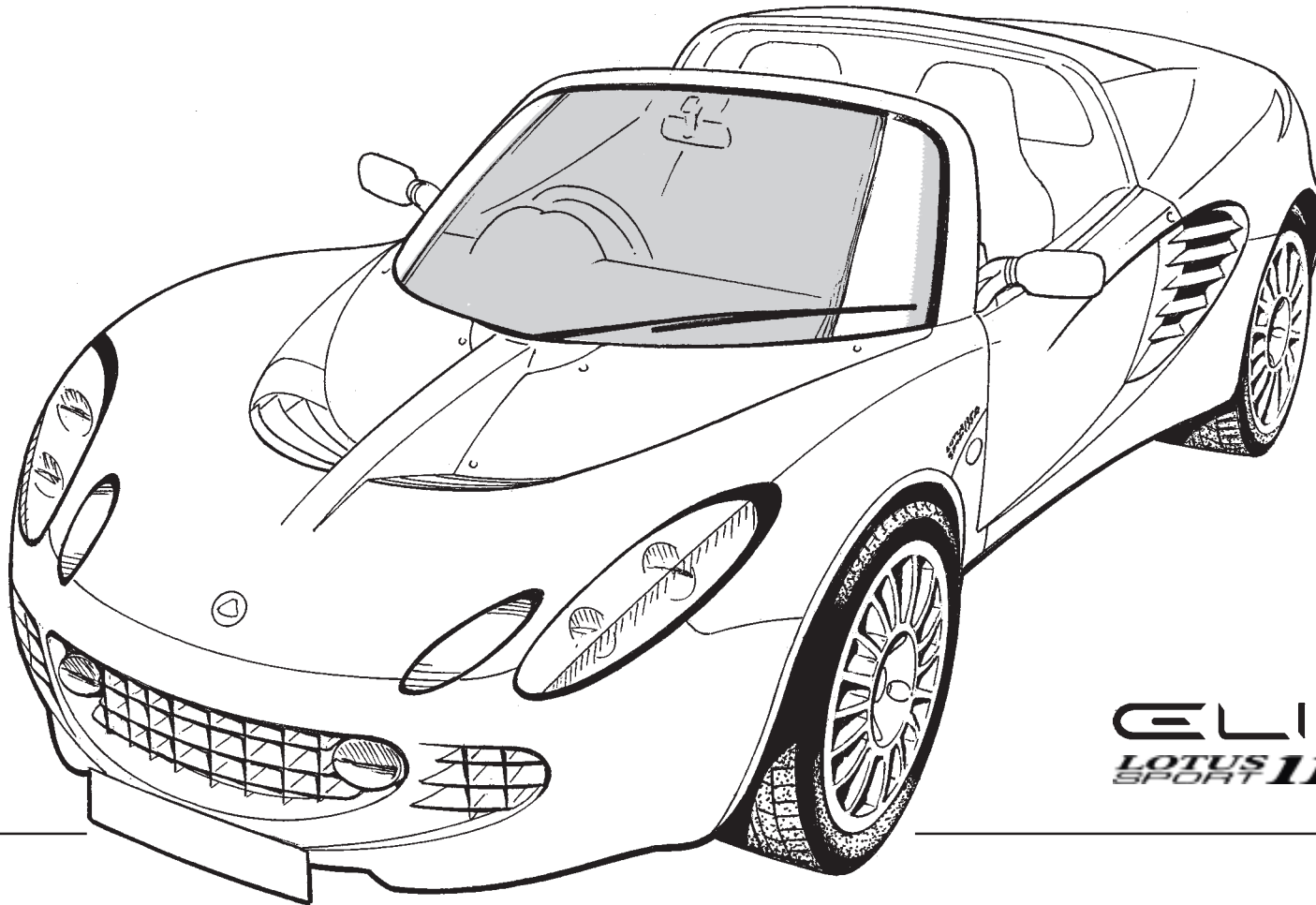
Function Code 80.20a Touch-in Paint Pencil Range

<u>Dep</u>	<u>Part Description</u>	<u>Remarks</u>	<u>Option</u>	<u>Part Number</u>	<u>Qty</u>
100	B100, Magnetic Blue			A082B6410F	1
101	B101, Electric Green Metallic			A082B6411F	1
102	B102, Aubergine Metallic			A082B6412F	1
103	B103, Silver Mica			A082B6413F	1
104	B104, Blue Mica			A082B6414F	1
105	B105, Nightfall Blue			A082B6415F	1
106	B106, Saffron Yellow			A082B66416F	1



ELISE SERVICE PARTS LIST SUPPLEMENT

LOTUS SPORT III 



ELISE
LOTUS SPORT III 

Technical Service Dept., Lotus Cars Limited, Hethel, Norwich, Norfolk, NR14 8EZ. England.

Telephone 01953 608000 Telefax 01953 608300

© Lotus Cars Ltd. 2003

Part Number A117T0325/03/02

Updated 1st May 2013

10.00 Body

- 10.04 Crash Structures
 - 10.09a Front Services Access Panels
 - 10.11 Engine Cover Lid & Latch Mechanism
-

12.00 Exterior Fittings

- 12.01 Wheelarch Liners & Mudflaps
 - 12.03 Grilles & Louvres
 - 12.05 Decals, Badges & Protective Film
-

13.00 Seats & Seat Belts

- 13.01 Seat Runners
 - 13.02 Seat Assemblies, Lumbar Support
 - 13.27 Seat Belts
-

14.00 Pedal Box & Fascia

- 14.05 Fascia Structure & Supporting Hardware
 - 14.10 Instrument Cowling
-

15.00 Interior Trim

- 15.13 Front Door Trims
 - 15.19 Centre Tunnel Trim, Gear Lever Gaiters/Shrouds
 - 15.30 Carpeting & Mats
-

19.00 Labels

- 19.03 Owner's Handbook & Service Notes Manuals
-

30.00 Chassis

- 30.02 Roll-Over Bar
-

31.00 Suspension

- 31.01 Front Suspension, Incl. Hubs
 - 31.03 Rear Suspension, Incl. Hubs
-

32.00 Steering

- 32.01 Rack & Pinion, & lower Column
 - 32.05 Upper Column, Wheel, Steering Lock
-

32.00 Brakes

- 33.05 Parking Brake Mechanism
-

43.00 Emmision Equipment

- 43.03 Vacuum System, Hoses, Pipes & Fittings
-

45.00 Exhaust

- 45.01 Exhaust System
-

Service Parts List Supplement

ELISE *LOTUS SPORT 111*



<u>Func. Code</u>	<u>Part Description</u>	<u>Remarks</u>	<u>Option</u>	<u>Part Number</u>	<u>Qty</u>
10.04	Alloy Plate, chassis to crash structure, RH	Fits over A/R bar	Sport 111/135R	ALS2B0028K	1
10.04	Alloy Plate, chassis to crash structure, LH	Fits over A/R bar	Sport 111/135R	ALS2B0027K	1
10.09a	Grille, front access panel, LH, unpainted	Dealer to paint	Body colour	C117B0121S	1
10.09a	Grille, front access panel, RH, unpainted	Dealer to paint	Body colour	C117B0122S	1
10.11	Grille, outlet, engine cover, RH rear, unpainted	Dealer to paint	Body colour	C117B0217S	1
10.11	Grille, outlet, engine cover, RH rear, unpainted	Dealer to paint	Body colour	C117B0218S	1
10.11	Grille, outlet, engine cover, LH front, unpainted	Dealer to paint	Body colour	C117B0129S	1
10.11	Grille, outlet, engine cover, RH front, unpainted	Dealer to paint	Body colour	C117B0130S	1
12.01	Wheel Arch Extension Lip, front		Sport 111	A117B0559F	2
12.03	Grille, front intake, central, driving lamps, unpainted	Dealer to paint	Body colour	B117B0317S	1
12.03	Grille, front intake, LH, unpainted	Dealer to paint	Body colour	G117B0117S	1
12.03	Grille, front intake, RH, unpainted	Dealer to paint	Body colour	G117B0118S	1
12.03	Grille, side intake, LH, unpainted	Dealer to paint	Body colour	E117B0125S	1
12.03	Grille, side intake, RH, unpainted	Dealer to paint	Body colour	E117B0126S	1
12.03	Grille, rear transom, LH, unpainted	Dealer to paint	Body colour	C117B0133S	1
12.03	Grille, rear transom, RH, unpainted	Dealer to paint	Body colour	C117B0134S	1
12.03	Grille, perforated, rear body to diffuser, LH	For fixings see 12.03	Sports silencer, dealer fit	B117A0161F	1
12.03	Grille, perforated, rear body to diffuser, RH	For fixings see 12.03	Sports silencer, dealer fit	B117A0160F	1
12.05	Decal, Lotus Sport 111, yellow, rear transom, large		All colours	ALS2U0039F	1
12.05	Decal, Lotus Sport 111, yellow, sides, small	Above side repeater lamp	All colours	ALS2U0040F	1

ELISE *LOTUS SPORT 111*

Service Parts List Supplement



<u>Func. Code</u>	<u>Part Description</u>	<u>Remarks</u>	<u>Option</u>	<u>Part Number</u>	<u>Qty</u>
12.05	Decal Plate, Sport 111 serial number	On LH sill	Sport 111	ALS2A0002F	1
12.05	Pop Rivet, plate to chassis		Sport 111	A075W6065Z	1
12.05	Decal, union flag	Dealer to fit	Sport 111	LSPAC00037	1
13.01	Sports Seat Runner, driver, RHD		Motorsport	A340V0009J	1
13.01	Sports Seat Mounting Frame, passenger, RHD	*For runner see below	Motorsport	A340V0007F	2
13.02	Seat Assembly, with lumbar support, RH pump/valve	Lotus Sport logo	Black cloth, standard	ALS2V0017K	1
13.02	Seat Assembly, with lumbar support, LH pump/valve	Lotus Sport logo	Black cloth, standard	ALS2V0018K	1
13.02	Seat Assembly, with lumbar support, RH pump/valve	Seat sides/top in carbon leather	Black alcantara, option	ALA2V0006K	1
13.02	Seat Assembly, with lumbar support, LH pump/valve	Seat sides/top in carbon leather	Black alcantara, option	A340U6008F	1
13.02	Seat Assembly, sports	Requires order form	Motor sport	A340U0009F	2
13.27	Four Point Harness, RH	For fixings see Exige book	Motor sport	ALS2U0033K	1
13.27	Four Point Harness, LH	For fixings see Exige book	Motorsport	ALS2U0034K	1
14.10	Instrument Cowling, black alcantara	For fixings see 14.10	Optional	ALS2U0031K	1
14.10	Mounting Panel, htr/AC switches, black alcantara	For fixings see 14.10	Optional	ALS2U0032K	1
15.13	Door Trim, black alcantara/carbon leather, LH	For fixings see 15.13	Optional	ALS2U0035K	1
15.13	Door Trim, black alcantara/carbon leather, RH	For fixings see 15.13	Optional	LSPAC00017	1
15.19	Cover, gear lever/parking brake, black alcantara, RHD	For fixings see 15.19	Optional	B117T0324/02	1
15.30	Carpet Set, footwells, black, LS 111 logos	For fixings see 15.30	Optional	ALS2V0002F	1
19.03	Owner's Handbook Supplement, Lotus Sport 111		Sport 111	ALS2V0001J	1
30.02	Roll-Over Bar, competition	For fixings see 30.02	Sport 111	A111C0134S	2



Service Parts List Supplement



Func. Code	Part Description	Remarks	Option	Part Number	Qty
30.02	Reinforcement Kit, competition roll-over bar	**For fitting see below	Motorsport	ALS2V0001J	1
31.01	Anti-Roll Bar, sport, adjustable		Sport 111	A111C0134S	1
31.01	Mounting Clamp, nylon, A/R bar		Sport 111	A111C0052F	2
31.01	Bush, A/R bar mount to chassis		Sport 111	A111C0060F	2
31.01	Bolt, M5 x 45, cap hd., clamp fixing		Sport 111	A082W2106F	2
31.01	Washer, flat, M5 x 10 x 1.0, clamp fixing	Also A/R bar clamp	Sport 111	A075W4011Z	2
31.01	Nyloc Nut, M5, clamp fixing		Sport 111	A100W3113F	2
31.01	Pivot Bolt, M10 x 45, hex. hd. front lower wishbone	For fixings see 31.01	Sport 111	A075W2065F	2
31.01	Washer, flat, M10 x 20.5 x 1.8, clamp to chassis		Sport 111	A075W4024Z	2
31.01	Spring/Damper Assembly, front		Sport 111	ALS2C6001J	2
31.01	Bolt, M16 x 100, hex. hd., front hub		Sport 111	A111W2185F	2
31.01	Thrust Washer, inner, front hub		Sport 111	A111C0118F	2
31.01	Thrust Washer, outer, front hub		Sport 111	A111C0117F	2
31.01	Washer, flat, M16 x 30, front hub	For fixings see 31.03	Sport 111	A111W4171F	2
31.01	Nyloc Nut, M16, front hub		Sport 111	A111W3159F	2
31.03	Spring/Damper Assembly, rear		Sport 111	ALS2D6001J	2
32.01	Adjuster Plate, 10 notch		Sport 111	A111H0021F	2
32.05	Steering Wheel, black alcantara lower rim		Optional	ALS2U0036K	1
33.05	Hand Grip, alloy, parking brake lever		Optional	A117U0084F	1
34.01	Road Wheel, front, OZ 16 spoke, 6.5J x 16, black		Sport 111	BLS2G6003F	2



Service Parts List Supplement



<u>Func. Code</u>	<u>Part Description</u>	<u>Remarks</u>	<u>Option</u>	<u>Part Number</u>	<u>Qty</u>
34.01	Road Wheel, rear, OZ 16 spoke, 7.5J x 17, black		Sport 111	BLS2G6005F	2
34.01	Tyre, front, 195/50 R16, Yokohama A048		Sport 111	ALS2H6006F	2
34.01	Tyre, rear, 225/45 R17, Yokohama A048		Sport 111	ALS2H6007F	2
34.01	Bolt, hex. hd, 29mm thread		Sport 111	ALS2G6011F	16
34.01	Centre Cap, Lotus logo		Sport 111	ALS2G6008F	4
43.03	Blanking Plug, flap valve vacuum hose	Dealer to fit	Sport 111	ALS2S6000F	1
43.03	Circlip, plug retaining	Dealer to fit	Sport 111	A111E6161S	1
45.05	Supersport Silencer, stainless steel	Dealer to fit	Sport 111	LOTAC05108	1

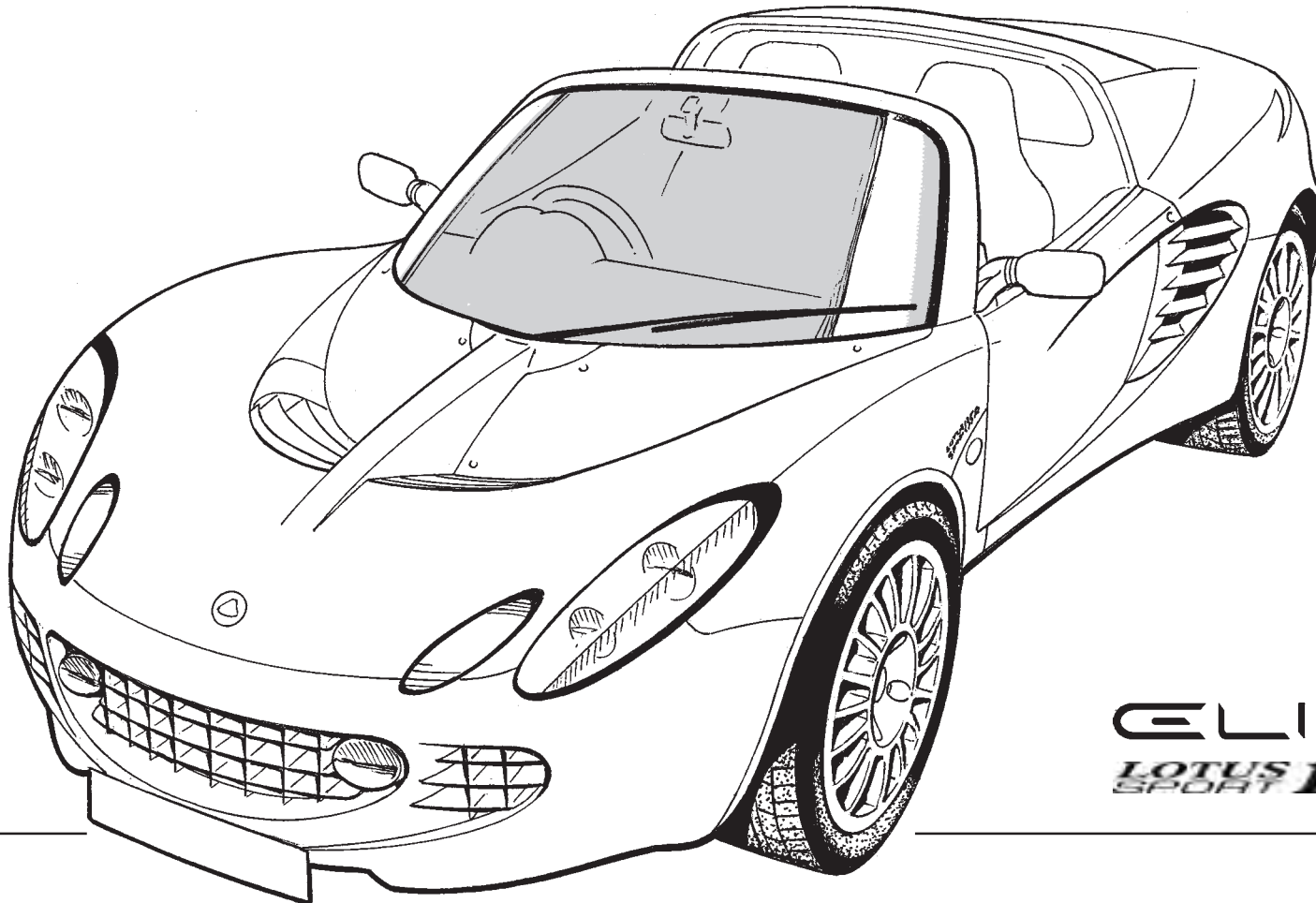
*When fitting a reinforcement kit in conjunction with a sports seat, please contact Lotus Sport and Performance for advice.

**Contact Lotus Sport and Performance for fitting instructions and fixings.



ELISE SERVICE PARTS LIST SUPPLEMENT

LOTUS SPORT 135R



ELISE
LOTUS SPORT 135R

Technical Service Dept., Lotus Cars Limited, Hethel, Norwich, Norfolk, NR14 8EZ. England.

Telephone 01953 608000 Telefax 01953 608300

© Lotus Cars Ltd. 2003

Part Number A117T0325/03/01

Updated 1st May 2013

10.00 Body

- 10.09 Front Services Access Panels
 - 10.11 Engine Cover Lid & Latch Mechanism
 - 10.25 Undertray & Diffuser
-

12.00 Exterior Fittings

- 12.01 Wheelarch Liners & Mudflaps
 - 12.03 Grilles & Louvres
 - 12.05 Decals, Badges & Protective Film
-

13.00 Seats & Seat Belts

- 13.02 Seat Assemblies, Lumbar Support
-

14.00 Pedal Box & Fascia

- 14.05 Fascia Structure & Supporting Hardware
 - 14.10 Instrument Cowling
-

15.00 Interior Trim

- 15.13 Front Door Trims
 - 15.30 Carpeting & Mats
-

17.00 Electrical

- 17.01 Harnesses, Leads
 - 17.06 Engine Management & Sensors
-

19.00 Labels

- 19.03 Owner's Handbook & Service Notes Manuals
-

31.00 Suspension

- 31.01 Front Suspension, Incl. Hubs
 - 31.03 Rear Suspension, Incl. Hubs
-

32.00 Steering

- 32.01 Rack & Pinion, & Lower Column
 - 32.05 Upper Column, Wheel, Steering Lock
-

34.00 Wheels & Tyres

- 34.01 Wheels, Tyres & Valves
-

40.00 Engine

- 40.00 Engine Assemblies
 - 40.05 Cylinder Head, Valves, Springs
-

42.00 Induction Systems

- 42.01 Airboxes, Trunking & Air Filters
 - 42.04 Throttle Body Mechanism & IAC Valve
 - 42.07a Inlet Manifolds, Plenum & Gaskets
-

43.00 Emission Equipment

- 43.03 Vacuum System, hoses Pipes & Fittings
-

45.00 Exhaust

- 45.01 Exhaust system
 - 45.05 Heatshields
-

Service Parts List Supplement

ELISE *LOTUS SPORT 135R*



<u>Func. Code</u>	<u>Part Description</u>	<u>Remarks</u>	<u>Option</u>	<u>Part Number</u>	<u>Qty</u>
10.09a	Grille, front access panel, LH, unpainted	Dealer to paint	Silver Mica, Blue Mica	C117B0121S	1
10.09a	Grille, front access panel, RH, unpainted	Dealer to paint	Silver Mica, Blue Mica	C117B0122S	1
10.11	Grille, outlet, engine cover, LH rear, unpainted	Dealer to paint	Silver Mica, Blue Mica	C117B0217S	1
10.11	Grille, outlet, engine cover, RH rear, unpainted	Dealer to paint	Silver Mica, Blue Mica	C117B0218S	1
10.11	Grille, outlet, engine cover, LH front, unpainted	Dealer to paint	Silver Mica, Blue Mica	C117B0129S	1
10.11	Grille, outlet, engine cover, RH front, unpainted	Dealer to paint	Silver Mica, Blue Mica	C117B0130S	1
10.25	Diffuser, three element	For fixings see 10.25	Sport 135R/111/111S	A117A0137F	1
10.25	Edging Strip, diffuser		Common	A117A0050F	As req.
10.25	Support Plate, diffuser, three element	For fixings see 10.25	Sport 135R/111/111S	A117A0142F	1
10.25	Panel, license plate mounting, deep	For fixings see 10.25	Sport 135R/111/111S	A117A0143F	1
12.01	Wheel Arch Extension Lip, front		Sport 135R	A117B0559F	2
12.03	Grille, front intake, central, driving lamps, unpainted	Dealer to paint	Silver Mica, Blue Mica	B117B0317S	1
12.03	Grille, front intake, LH, unpainted	Dealer to paint	Silver Mica, Blue Mica	G117B0117S	1
12.03	Grille, front intake, RH, unpainted	Dealer to paint	Silver Mica, Blue Mica	G117B0118S	1
12.03	Grille, side intake, LH, unpainted	Dealer to paint	Silver Mica, Blue Mica	E117B0125S	1
12.03	Grille, side intake, RH, unpainted	Dealer to paint	Silver Mica, Blue Mica	E117B0126S	1
12.03	Grille, rear transom, LH, unpainted	Dealer to paint	Silver Mica, Blue Mica	C117B0133S	1
12.03	Grille, rear transom, RH, unpainted	Dealer to paint	Silver Mica, Blue Mica	C117B0134S	1
12.03	Grille, perforated, rear body to diffuser, LH	For fixings see 12.03	Sport 135R/111/111S	B117A0149S	1
12.03	Grille, perforated, rear body to diffuser, RH	For fixings see 12.03	Sport 135R/111/111S	B117A0150S	1

ELISE *LOTUS SPORT 135R*

Service Parts List Supplement

ELISE LOTUS SPORT 135R



<u>Func. Code</u>	<u>Part Description</u>	<u>Remarks</u>	<u>Option</u>	<u>Part Number</u>	<u>Qty</u>
12.05	Decal, Sport 135R, black, rear transom, large		Sport 135R, Silver Mica, Yellow	ALS2U0023F	1
12.05	Decal, Sport 135R, black, sides, small	Above side repeater lamp	Sport 135R, Silver Mica, Yellow	ALS2U0022F	2
12.05	Decal, Sport 135R, silver, rear transom, large		Sport 135R, Blue Mica	ALS2U0038F	1
12.05	Decal, Sport 135R, silver, sides, small	Above side repeater lamp	Sport 135R, Blue Mica	ALS2U0037F	2
12.05	Decal Plate, Lotus Sport 135R serial number	On LH sill, proof of ownership req.	Sport 135R	ALS2A0002F	1
12.05	Pop Rivet, plate to chassis		Sport 135R	A075W6065Z	4
13.02	Seat Assembly, with lumbar support, RH pump/valve	Seat sides/top in carbon leather	Sport 135R	ALS2V0013K	1
13.02	Seat Assembly, with lumbar support, LH pump/valve	Seat sides/top in carbon leather	Sport 135R	ALS2V0014K	1
14.05	Column Shroud, upper, blue alcantara	For fixings see 14.05	Sport 135R	ALS2V0025K	1
14.05	Column Shroud, lower, blue alcantara	For fixings see 14.05	Sport 135R	ALS2V0026K	1
14.10	Instrument Cowling, blue alcantara	For fixings see 14.10	Sport 135R	ALS2V0024K	1
15.13	Door Trim, blue alcantara, LH	For fixings see 15.13	Sport 135R	B117U0204J	1
15.13	Door Trim, blue alcantara, RH	For fixings see 15.13	Sport 135R	B117U0205J	1
15.30	Carpet, footwell, driver, RHD, blue, LS 135R logo	For fixings see 15.30	Sport 135R	ALS2V0016K	1
15.30	Carpet, footwell, passenger, RHD, blue, LS 135R logo	For fixings see 15.30	Sport 135R	ALS2V0015K	1
17.01	Harness, main		Sport 135R	ALS2M0010K	1
17.06	Electronic Control Module (ECM)		Sport 135R	ALS2M0009J	1
19.03	Owner's Handbook Supplement, Lotus Sport 135R		Sport 135R	B117T0324/1	2
31.01	Anti-Roll Bar, sport, adjustable		Sport 135R	A111C0134S	2
31.01	Mounting Clamp, nylon, A/R bar		Sport 135R	A111C0052F	2

ELISE LOTUS SPORT 135R

Service Parts List Supplement **ELISE** LOTUS **SPORT 135R**



<u>Func. Code</u>	<u>Part Description</u>	<u>Remarks</u>	<u>Option</u>	<u>Part Number</u>	<u>Qty</u>
31.01	Bush, A/R bar mount to chassis		Sport135R	A111C0060F	2
31.01	Bolt M5 x 45, cap hd., clamp fixing		Sport 135R	A082W2106F	2
31.01	Washer, flat, M5 x 10 x 1.0, clamp fixing		Sport 135R	A075W4011Z	2
31.01	Nyloc Nut, M5, clamp fixing		Sport135R	A100W3113F	2
31.01	Pivot Bolt, M10 x 45, hex. hd., front lower wishbone	Also A/R bar clamp	Sport 135R	A075W2065F	2
31.01	Washer, flat, M10 x 20.5 x 1.8, clamp to chassis		Sport135R	A075W4024Z	2
31.01	Spring/Damper Assembly, front	For fixings see 31.01	Sport 135R	ALS2C6001J	2
31.03	Spring/Damper Assembly, rear	For fixings see 31.03	Sport 135R	ALS2D6001J	2
32.01	Adjuster Plate, 10 notch		Sport 135R	A111H0021F	2
32.05	Crash Pad, blue alcantara	State colour with order	Sport 135R	A117H0017S	1
34.01	Road Wheel, front, OZ 16 spoke, 6.5J x 16, black		Silver Mica	BLS2G6003F	2
34.01	Road Wheel, front, OZ 16 spoke, 6.5J x 16, silver		Blue Mica	BLS2G6006F	2
34.01	Road Wheel, rear, OZ 16 spoke, 7.5J x 17, black		Silver Mica	BLS2G6005F	2
34.01	Road Wheel, rear, OZ 16 spoke, 7.5J x 17, silver		Blue Mica	BLS2G6007F	2
34.01	Tyre, front, 195/50 R16, Yokohama A048		Sport 135R	ALS2H6006F	2
34.01	Tyre, rear, 225/45 R17, Yokohama A048		Sport 135R	ALS2H6007F	2
34.01	Bolt, hex. hd, 29mm thread		Sport 135R	ALS2G6011F	16
34.01	Centre Cap, Lotus logo		Sport 135R	ALS2G6008F	4
40.00	Engine Assembly, undressed		Sport 135R	ALSE0012S	1
40.05	Cylinder Head, bare		Sport 135R	A117E0034S	1

Service Parts List Supplement **ELISE** *LOTUS SPORT 135R*



<u>Func. Code</u>	<u>Part Description</u>	<u>Remarks</u>	<u>Option</u>	<u>Part Number</u>	<u>Qty</u>
42.01	Air Cleaner Housing Assembly	For fixings see 42.01	Sport 135R/standard	A111E0015K	1
42.01	Flexible Hose, air cleaner to throttle body	For fixings see 42.01	Sport 135R/standard	A111E6010S	1
42.01	Intake Hose	For fixings see 42.01	Sport 135R/standard	A117E0015F	1
42.04	Throttle Body	Includes TPS	Sport 135R/111/111S	A117E6090S	1
42.07a	Plenum	For fixings see 42.07a	Sport135R/111/111S	A117E6065S	1
42.07a	Inlet Manifold	For fixings see 42.07a	Sport135R/111/111S	A111E6321S	1
43.03	Vacuum reservoir	For fixings see 43.03	Sport135R/111/111S	A100P6018F	1
43.03	Solenoid Valve	For fixings see 43.03	Sport135R/111/111S	A082M6421F	1
43.03	Hose, 245mm, reservoir to manifold	For fixings see 43.03	Sport135R/111/111S	A117E0042F	1
43.03	Vacuum Pipe, reservoir to solenoid valve	For fixings see 43.03	Sport135R/111/111S	A117E0043F	4
43.03	Vacuum Pipe, steel, solenoid valve to exhaust capsule	For fixings see 43.03	Sport135R/111/111S	B117E0041F	1
43.03	Connecting Hose, 140mm, pipes to system comp.	For fixings see 43.03	Sport135R/111/111S	A117E0039F	1
43.03	Foam Insulator, steel pipe		Sport135R/111/111S	A117E0040F	1
45.01	Downpipe, VVC	For fixings see 45.01	Sport135R/111/111S	A117S0053F	1
45.01	Catalyst, VVC	For fixings see 45.01	Sport135R/111/111S	A117S0054F	1
45.01	Silencer Assembly, VVC	For fixings see 45.01	Sport135R/111/111S	A117S0055F	1
45.05	Heat Shield, balljoint, RH	For fixings see 45.05	Sport135R/111/111S	A117S0058F	1
45.05	Alloy Reflector, catalyst heatshield	For fixings see 45.05	Sport135R/111/111S	A117S0057F	1